



Hot Runner Systems

熱流道系統

Simple Solution

SHINI

Shini Group



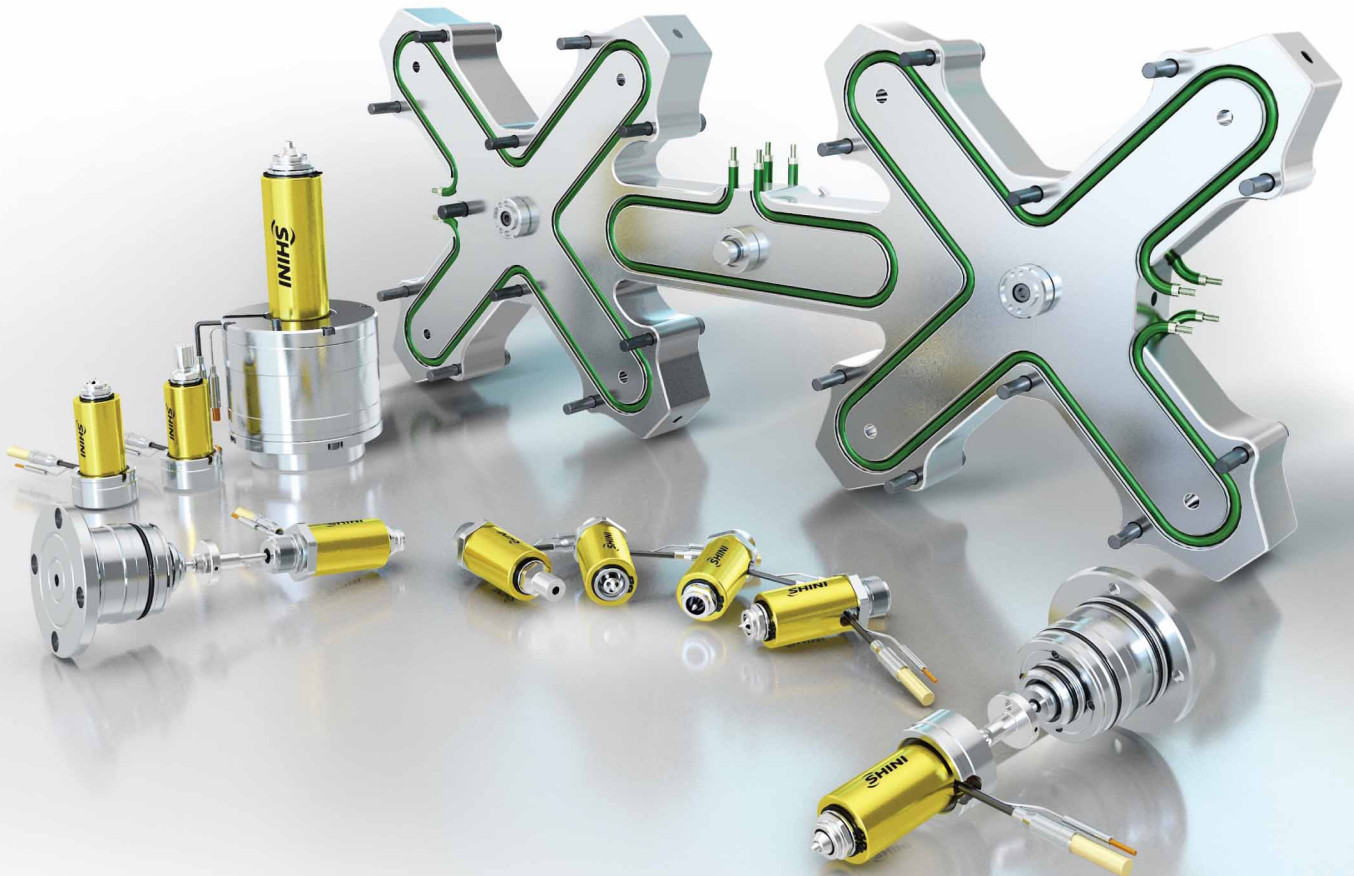
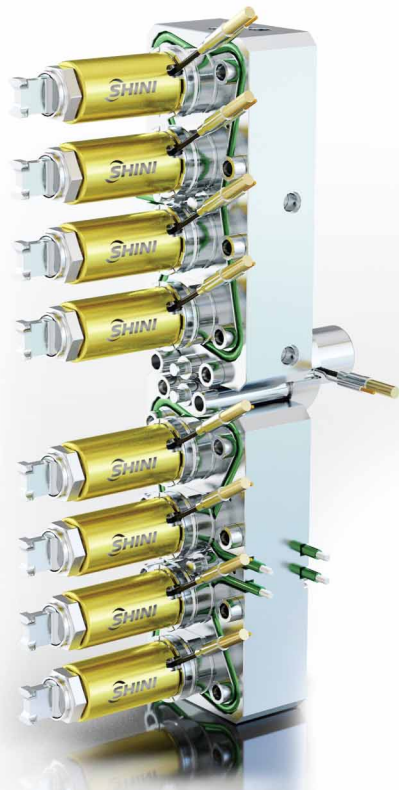
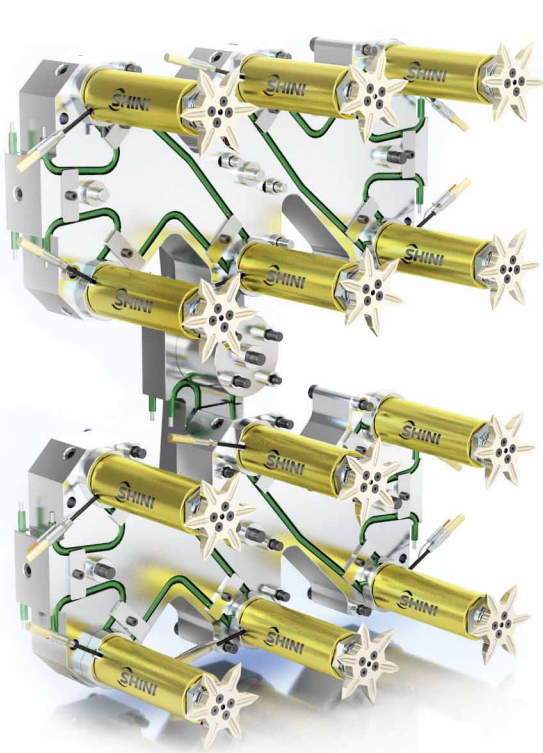
東莞信舟熱流道系統有限公司成立於2012年11月，為信易集團關係企業，專業從事熱流道系統，溫控箱，時序控制器及各種電熱組件的研發，製造及銷售工作。配備一流的人才，高端的機器，精密檢測設備及完善的制度。

信舟熱流道不僅提供種類廣泛的標準件產品，還可以按照客戶要求全面定制熱流道系統。信舟熱流道系統廣泛應用於電子電器，汽車，電子，醫療，包裝，日用品等行業。信舟熱流道在中國東莞設有工廠，服務網點遍佈全國各地，其中溫控箱產品已經銷售至全球多個國家和地區，並且得到了市場的認可，為信舟熱流道贏得了信譽。

Shinzo Hot Runner System, Inc. was established in November, 2012 that affiliated to the Shini Group. It is mainly engaged in researching, developing, producing and selling of the hot runner system, temperature controller, timing controller and various heater components, which employs the first-class talents, high-end machines, accurate detection equipment and excellent equipment.

Shinzo can not only provide various kinds of standard products, but also customize the hot runner system as requirement, which has factory in Dongguan, China, with after-sales service network across the whole country. The hot runner systems are widely used in electronics, automobile, medicine, packaging, commodities and other industries. Moreover, its product of temperature controller has been sold to countries and regions around the world and is well received by the market, which wins good reputation for Shinzo.





信舟熱流道系統優點

- 我們的閥針設計考慮了分流板等的膨脹，在注塑過程中不受影響，高端的機器保證了加工閥針的精度達到工作時的穩定性
- 在設計時我們充分考慮了熱流道在生產中的工作特點，我們的成品在閥針端部設計有回料槽把冷料帶回熱咀，提高了澆口的品質。
- 熱咀與分流板配合面我司標準不使用密封件，熱咀掛臺高度控制在0.02mm公差範圍內。
- 我們不僅提供熱流道系統相關的平面加工圖，還提供三維加工圖，充分考慮了用戶的立場，以保證客戶的利益。
- 我們的系統由溫度平衡和壓力平衡來達到整體流動平衡。
- 分流板內部設計無死角。
- 我們採用進口特殊鋼材製作，經過反覆試驗，達到最佳熱平衡。發熱管均勻分佈在澆口周圍，使熱流道系統整體溫度差異很小，有效避免局部過熱現象。
- 分流板採用上下雙層加熱管設計，保證各種塑膠產品專案的應用。發熱管上方嵌裝銅合金，減少熱量損失，使其發熱更穩定，傳熱更均勻。
- 綜合模流分析結果而設計合理的流道，這樣保證填充的平衡性。
- 配置智能化溫度控制器，控溫更精確。

Advantages of Shinzo Hot Runner System

- Our valve pins are able to prevent parts like manifold block from inflation, and they would not be affected even in the injection process. High-end processing machines ensure the high accuracy of valve pin, so the stability of the work can also be ensured.
- We have fully considered the operation characteristics of hot runner, thus we put a material-returning tank on the front end of valve pin. The tank brings cool materials back to nozzle, so the quality of gate gets improved.
- Using no sealing component on the fitting surface of nozzle and manifold block, so the common difference of the length of nozzle heads will not exceed 0.02mm.
- We provide both horizontal and three-dimensional operation diagram of hot runner system, so as to promote the interests of customers.
- Our system reaches the integral flowing balance through temperature and pressure balance.
- Parts inside the manifold block are all well designed.
- Our system is made of special imported steels, and it reaches optimum heat balance after repeated tests. Besides, there are well-distributed heating pipes around the gate, so the temperature difference inside the hot runner system is tiny and overheat of some parts can be avoided.
- Manifold block is composed of double-layered heating pipe to ensure full application of various plastic products. The heating pipe is made of copper alloy, which is able to save heat. Hence, the pipe performs better in heating and heat transfer.
- We design the runner according to the analysis on mold flow, so as to ensure the filling balance.
- The system is equipped with smart temperature controller, which makes temperature control more accurate.



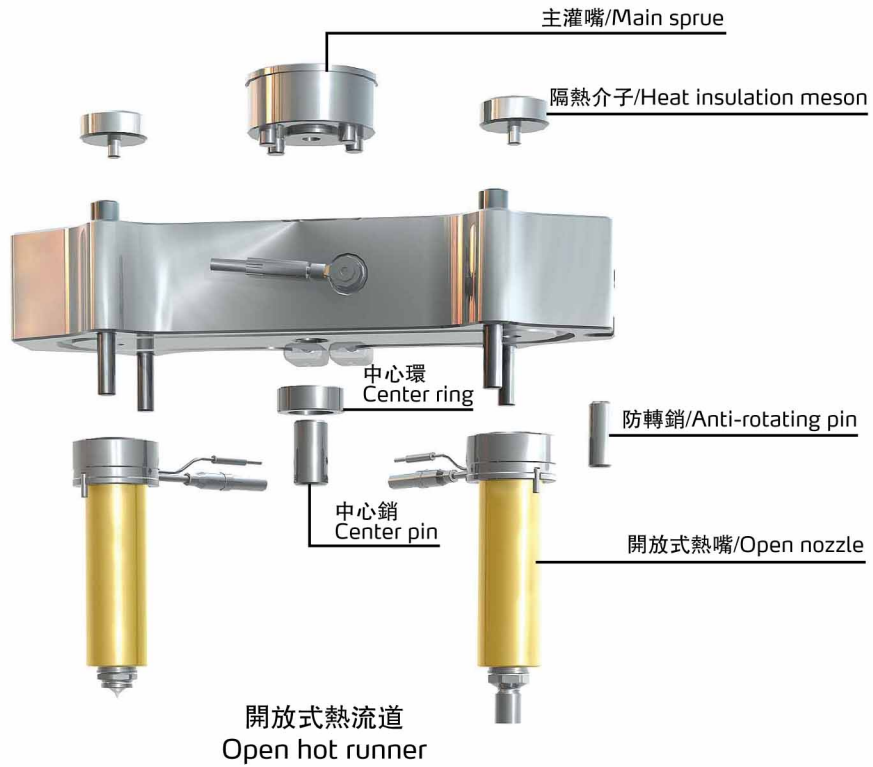
一出六十四開放式系統
1 to 64 open system

Contents

7	熱流道裝配圖 Assembly Drawing of Hot Runner
8	材料適用性 Plastic Material Guide
9	澆口類型 Gate Type
10.....	澆口優點及應用 Advantages and Application of the Gate
11.....	系統部件 Components of the System
12.....	開放式單咀系列 Open Single- nozzle Series
13.....	開放式系統熱咀系列 Series with Open nozzle series
19.....	針閥系統熱咀系列 Series with Pin- valve nozzle series
24.....	單點針閥式系列 Nozzle with Single- point Pin Valve
26.....	開放整體式系列 Series of single-point Pin-Vavle series
27.....	針閥整體式系列 Pin-Vavle integrated series
28.....	開放多頭熱咀系列 Series of open Multi-head Nozzle
29.....	流道板 Manifold Block
33.....	發熱圈系列 Heating Ring Series
34.....	感溫線和發熱管系列 Series of thermocouple and Heating Pipe
35.....	模流分析案例圖 Diagram of Analysis on Mold Flow
36.....	產品成功案例圖 Diagram of Analysis on Mold Flow
37.....	熱流道系統報價表 Quotation form fo hot runner system

Accessories of hot runner

熱流道裝配圖



名稱 Name	烘料溫度 Drying Temperature (°C)	烘料時間 Drying Drying Time (h)	成型溫度 Shaping Temperature (°C)	模具溫度 Mold Temperature (°C)	成型壓力 Molding Pressure (Kg/cm ²)	縮水率 Shrinkage Rate (%)	塑料比重 Percentage (g/cm ³)	軟化溫度 Softening Temperature (°C)	粘度 Viscosity (HML)	
結晶性材料/Crystallizing Material	PP	--	--	250	35	700/1400	1.0/2.5	0.91	165	L
	PE	--	--	250	25	500/1200	1.5/3.5	0.92/0.96	140	L
	PBT	120	4	265	60	560/1800	1.5/2.0	1.31/1.38	225	H
	PET	75/90	3-4	285	140	1000/1700	1.0/2.0	1.37	245	H
	POM	30	2	200	100	800/1700	0.4/3.5	1.41/1.42	180	M
	PA	70/80	8-15	250-285	60-90	700/1200	0.3/0.5	1.03/1.38	175/255	M
	PPS	150/170	4	330	110	750/1500	0.7	1.34	290	H
	LCP	150/160	4	310	125	140/400	0.1/1.0	1.4/1.9	230	H
非結晶性材料/Non-crystallizing Material	PS	--	--	225	45	700/2100	0.4/0.7	1.05	100	L
	ABS	70/80	2	235	75	550/1755	0.4/0.9	1.03/1.06	110	M
	PPO	80/120	2	300	80	1000/1400	0.5/0.7	1.06/1.10	120	H
	PC	120	4-6	280	90	800/1400	0.5/0.7	1.19/1.20	220	H
	SAN	85	2-4	235	80	700/2300	0.2/0.7	1.07/1.10	115	M
	PEI	150	4	370	100	800/2000	0.5/0.7	1.27/1.42	215	H
	PVC	--	--	165-185	35	560/1750	0.1/0.5	1.16/1.58	100	H
	PMMA	70/100	2-6	250	70	400/1400	0.1/0.6	1.17/1.20	100	M

注：以上數據僅作為參考

Note: the above data is just for reference

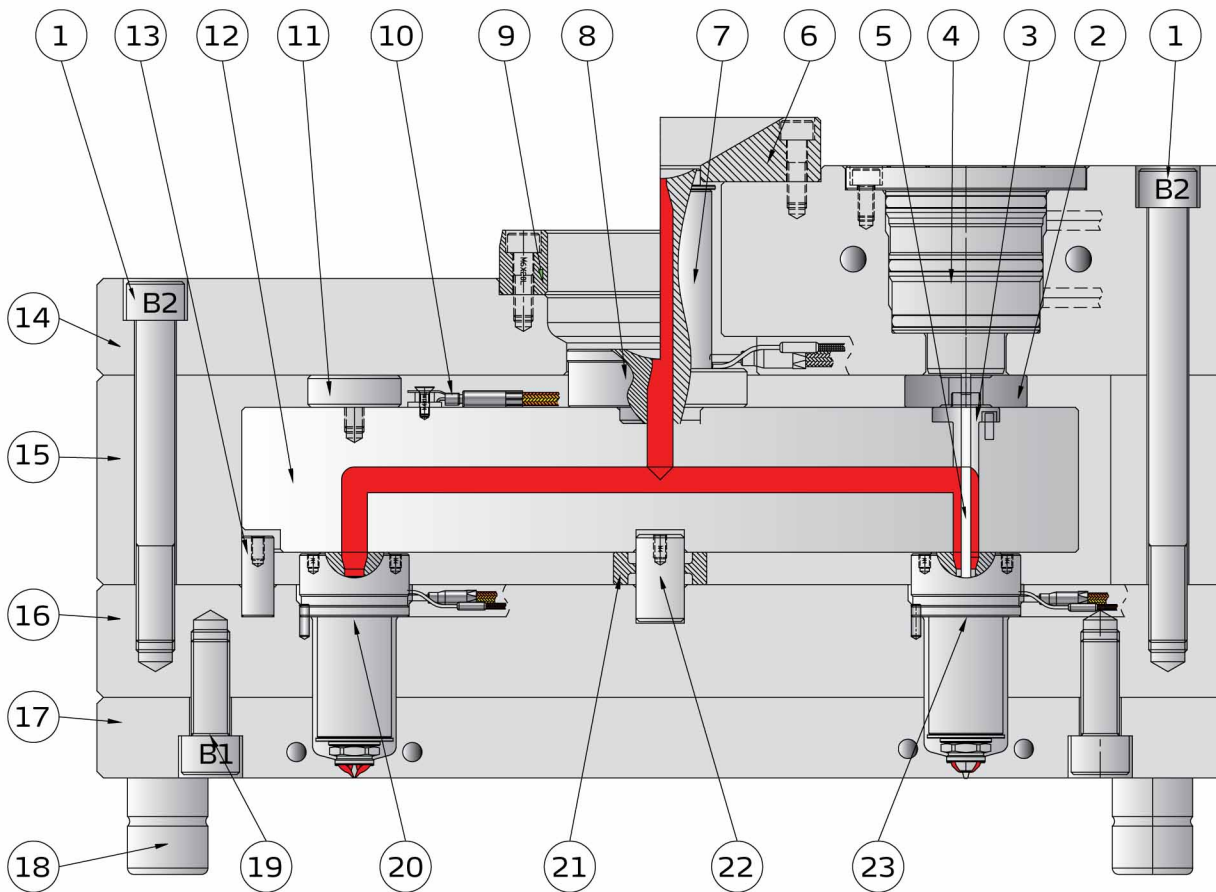
Gate Type 澆口類型

材料 Material		咀型 Nozzle Type							
		OA	OB	OC	OD	VA	VB	VC	
結晶性材料/Crystallizing Material	PP	●	●	●	●	●	●	●	
	PE	●	●	●	●	●	●	●	
	PBT	◐	◐	◐	◐	◐	◐	◐	
	PET	◐	○	◐	◐	◐	◐	◐	
	POM	◐	◐	◐	◐	◐	◐	◐	
	PA	◐	○	◐	◐	●	●	◐	
	PPS	◐	◐	◐	◐	◐	◐	◐	
	LCP	○	◐	○	◐	○	◐	○	
非結晶性材料/Non-crystallizing Material	PS	●	●	●	●	●	●	◐	
	ABS	●	●	●	●	●	●	◐	
	PPO	◐	◐	◐	◐	◐	◐	◐	
	PC	◐	◐	◐	◐	◐	◐	◐	
	SAN	◐	●	●	●	●	●	●	
	PEI	◐	◐	○	◐	◐	◐	○	
	PVC	○	◐	◐	◐	◐	●	◐	
	PMMA	◐	◐	◐	◐	◐	●	◐	
添加劑/Additive	FR	◐	◐	◐	◐	◐	◐	◐	
	GF	◐	◐	◐	◐	◐	◐	◐	
	ST	◐	◐	◐	◐	◐	◐	◐	

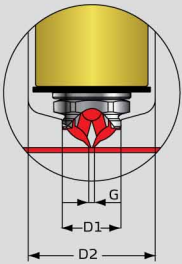
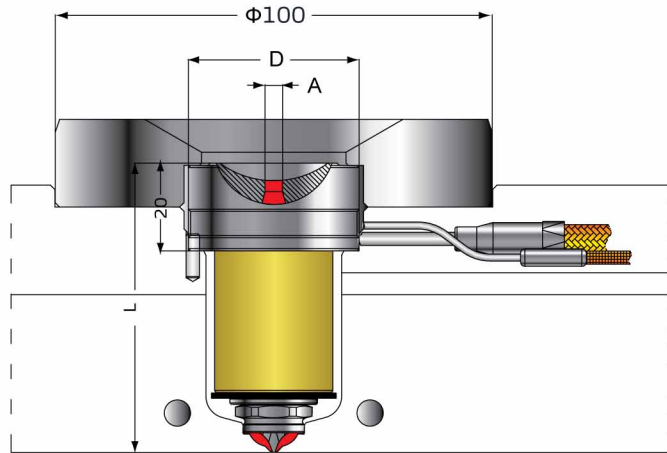
* LEGEND : Excellent(好) ● , Acceptable(可接受) ◐ , Technology Assessment (技術評估) ○.

OA	<ul style="list-style-type: none"> ● 適用於通用樹脂、工程樹脂和含玻纖樹脂/Applicable to general resin, engineering resin and resin with glass fiber ● 澆口痕迹小/Slight gate marks ● 咀芯可更換/Nozzle cores are replaceable ● 需添加樹脂帽才能達到換色效果/Resin cap is needed to change color ● 應用於電子、包裝領域/Applied in the fields of electronics and packaging
OB	<ul style="list-style-type: none"> ● 適用於通用樹脂、工程樹脂和含玻纖樹脂/Applicable to general resin, engineering resin and resin with glass fiber ● 設置在潛伏澆口流道上/Be set on the submarine gate runner ● 作用在產品面上會帶有一圈印子/Leave a circle of marks on the surface of products ● 可換色/Other colors are optional ● 應用於電子、汽車、醫療、包裝領域/Applied in the fields of electronics, automobile, medicine and packaging
OC	<ul style="list-style-type: none"> ● 適用於通用樹脂、工程樹脂和含玻纖樹脂/Applicable to general resin, engineering resin and resin with glass fiber ● 設置在潛伏澆口流道上/Be set on the submarine gate runner ● 可防流涎、拉絲/Prevent jetting and drawing ● 可換色/Other colors are optional ● 應用於電子、汽車、醫療、包裝領域/Applied in the fields of electronics, automobile, medicine and packaging
OD	<ul style="list-style-type: none"> ● 適用於通用樹脂、工程樹脂和含玻纖樹脂/Applicable to general resin, engineering resin and resin with glass fiber ● 澆口痕迹小/Slight gate marks ● 咀芯可更換/Nozzle cores are replaceable ● 可換色/Other colors are optional ● 應用於電子、汽車、醫療、包裝領域/Applied in the fields of electronics, automobile, medicine and packaging
VA	<ul style="list-style-type: none"> ● 適用於通用樹脂、工程樹脂和含玻纖樹脂/Applicable to general resin, engineering resin and resin with glass fiber ● 直接作用在產品面上，澆口痕迹好/Work on the surface of products, leaving only slight marks on the gate ● 可防流涎、拉絲/Prevent jetting and drawing ● 可換色/Other colors are optional ● 應用於電子、汽車、醫療、包裝領域/Applied in the fields of electronics, automobile, medicine and packaging
VB	<ul style="list-style-type: none"> ● 適用於通用樹脂、工程樹脂和含玻纖樹脂/Applicable to general resin, engineering resin and resin with glass fiber ● 設置在潛伏澆口流道上/Be set on the submarine gate runner ● 可防流涎、拉絲/Prevent jetting and drawing ● 可換色/Other colors are optional ● 應用於電子、汽車、醫療、包裝領域/Applied in the fields of electronics, automobile, medicine and packaging
VC	<ul style="list-style-type: none"> ● 適用於通用樹脂、工程樹脂和含玻纖樹脂/Applicable to general resin, engineering resin and resin with glass fiber ● 產品面上留有一圈印子/Leave a circle of marks on the surface of products ● 可防流涎、拉絲/Prevent jetting and drawing ● 可換色/Other colors are optional ● 應用於電子、包裝領域/Applied in the fields of electronics and packaging

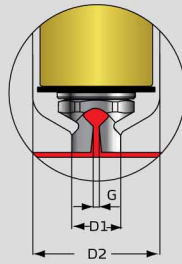
Terminology Of Series System 系統部件



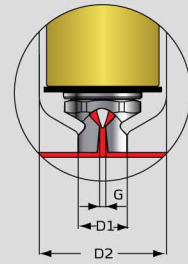
① B2 鎖模螺絲 B2 Locking Screw	② 閥針套壓塊 Pressure Block of Valve Pin Sleeve	③ 閥針套 Valve Pin Sleeve
④ 氣缸組零件 Cylinder Groupware	⑤ 閥針 Valve Pin	⑥ 針閥式法蘭 Pin- valve Flange
⑦ 加熱主灌嘴 Heating Main Nozzle Mouth	⑧ 不加熱主灌嘴 Non- heating Main Nozzle Mouth	⑨ 開放式法蘭 Open Flange
⑩ 板式感溫線 Plate Thermocouple	⑪ 隔熱介子 Heat Insulation Meson	⑫ 分流板 Manifold Block
⑬ 防轉銷 Dowel Pin	⑭ 面板 Panel	⑮ 空間板 Space Plate
⑯ 承板 Carrier Plate	⑰ 型腔板 Cavity Plate	⑱ 定位導柱 Locating Guide Post
⑲ B1 鎖模螺絲 B1 Locking Screw	⑳ 開放式熱咀 Open Nozzle	㉑ 中心環 Central Ring
㉒ 中心定位塊 Central Location Block	㉓ 針閥式熱咀 Pin- valve Nozzle	



OAS



OBS



OCS

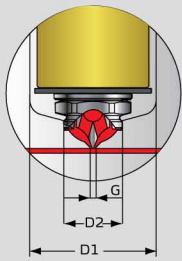
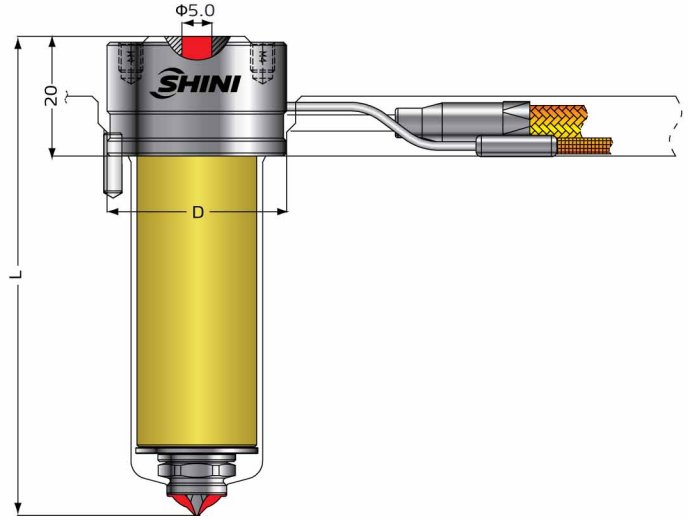
■ 熱咀參數規格表/ Table of Nozzle Parameter and Specification

項目/Project 型號/Models	O*S3515	O*S3818	O*S4425	O*S6035	O*S7045
注塑重量(g) Molding Weight	< 100g	< 200g	< 350g	< 500g	500g以上
入澆口 Φ A Pouring Gate	Φ 3.0	Φ 4.0	Φ 5.0	Φ 5.0	Φ 6.0
最小避空孔 Φ D2 Minimum Clearance Orifice	Φ 26.0	Φ 30.0	Φ 36.0	Φ 48.0	Φ 58.0
熱嘴法蘭尺寸 Φ D Dimension of nozzle flange	Φ 35.0	Φ 38.0	Φ 44.0	Φ 60.0	Φ 70.0
封膠尺寸 Φ D1 Size of Sealing Compounds	Φ 12.0/ Φ 10.0	Φ 14.0/ Φ 12.0	Φ 18.0/ Φ 16.0	Φ 26.0/ Φ 18.0	Φ 34.0/ Φ 20.0
出澆口 Φ G Sprue Gate	Φ 1.0, Φ 1.2, Φ 1.5	Φ 1.2, Φ 1.8, Φ 2.0	Φ 2.0, Φ 2.5, Φ 3.0	Φ 3.0, Φ 3.5, Φ 4.0	Φ 4.0, Φ 4.5, Φ 5.0
熱咀長度(L)(mm) Nozzle Length	60.00	60.00	70.00	90.00	100.00
	70.00	70.00	80.00	100.00	110.00
	80.00	80.00	90.00	110.00	120.00
	90.00	90.00	100.00	120.00	130.00
	100.00	100.00	110.00	130.00	140.00
	110.00	110.00	120.00	140.00	150.00
	120.00	120.00	130.00	150.00	160.00
	130.00	130.00	140.00	160.00	170.00
	140.00	140.00	150.00	170.00	180.00
	150.00	150.00	160.00	180.00	190.00

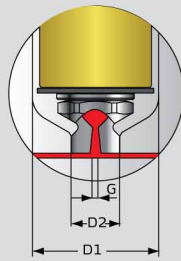
注：熱咀長度可根據客戶模具要求訂制。

Note: nozzle length can be customized according to customer's demand for mold.

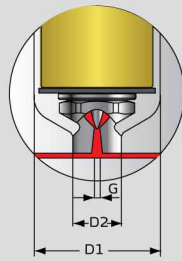
Open nozzle series 13開放式系統熱咀系列



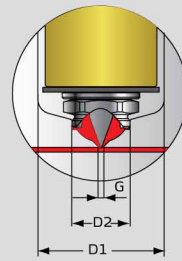
OA



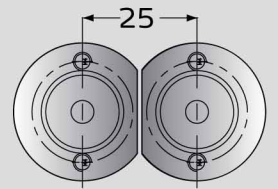
OB



OC



OD



兩熱咀間最小間距25

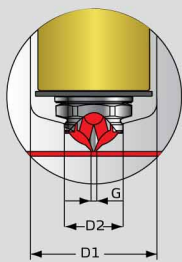
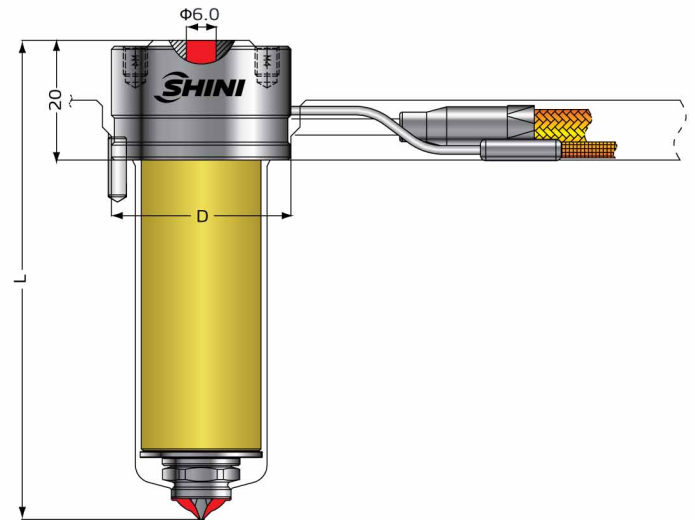
■ 熱咀參數規格表/ Table of Nozzle Parameter and Specification

項目/Project	型號/Models	OA3013	OB3013	OC3013	OD3013
注塑重量(g) Molding Weight		< 20g			
熱咀法蘭尺寸 ΦD Dimension of nozzle flange		$\Phi 30.0$			
最小避空孔尺寸 $D1$ Minimum Clearance Orifice		$\Phi 22.0$			
封膠尺寸 $\Phi D2$ Size of Sealing Compounds		$\Phi 10.0$	$\Phi 8.0$	$\Phi 8.0$	$\Phi 10.0$
出澆口 ΦG Sprue Gate		$\Phi 0.8, \Phi 1.0, \Phi 1.2$	$\Phi 0.8, \Phi 1.0, \Phi 1.2$	$\Phi 1.0, \Phi 1.2, \Phi 1.5$	$\Phi 0.8, \Phi 1.0, \Phi 1.2$
熱咀長度(L)(mm) Nozzle Length		60.00	60.00	60.00	60.00
		70.00	70.00	70.00	70.00
		80.00	80.00	80.00	80.00
		90.00	90.00	90.00	90.00
		100.00	100.00	100.00	100.00
		110.00	110.00	110.00	110.00
		120.00	120.00	120.00	120.00
		130.00	130.00	130.00	130.00
		140.00	140.00	140.00	140.00
	150.00	150.00	150.00	150.00	

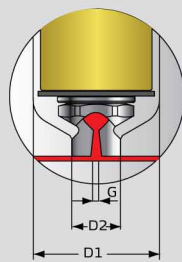
注：熱咀長度可根據客戶模具要求訂制。

Note: nozzle length can be customized according to customer's demand for mold.

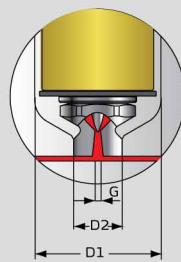
Open nozzle series
15開放式系統熱咀系列



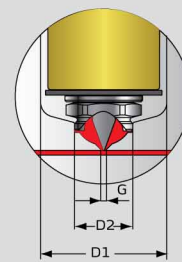
OA



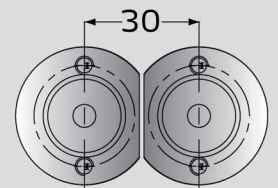
OB



OC



OD



兩熱咀間最小間距30

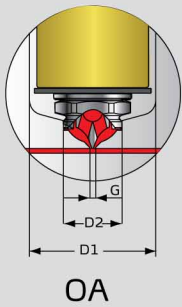
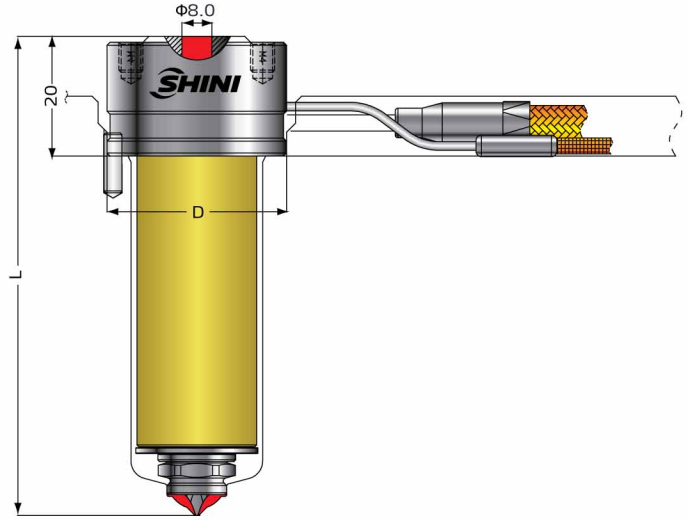
■ 熱咀參數規格表/ Table of Nozzle Parameter and Specification

項目/Project	型號/Models	OA3515	OB3515	OC3515	OD3515
注塑重量(g) Molding Weight		< 60g			
熱咀法蘭尺寸ΦD Dimension of nozzle flange		Φ35.0			
最小避空孔尺寸D1 Minimum Clearance Orifice		Φ26.0			
封膠尺寸ΦD2 Size of Sealing Compounds		Φ12.0	Φ10.0	Φ10.0	Φ12.0
出澆口ΦG Sprue Gate		Φ1.0, Φ1.2, Φ1.5	Φ1.0, Φ1.2, Φ1.5	Φ1.2, Φ1.5, Φ2.0	Φ1.0, Φ1.2, Φ1.5
熱咀長度(L)(mm) Nozzle Length		60.00	60.00	60.00	60.00
		70.00	70.00	70.00	70.00
		80.00	80.00	80.00	80.00
		90.00	90.00	90.00	90.00
		100.00	100.00	100.00	100.00
		110.00	110.00	110.00	110.00
		120.00	120.00	120.00	120.00
		130.00	130.00	130.00	130.00
		140.00	140.00	140.00	140.00
	150.00	150.00	150.00	150.00	

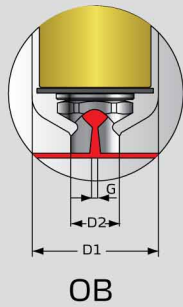
注：熱咀長度可根據客戶模具要求訂制。

Note: nozzle length can be customized according to customer's demand for mold.

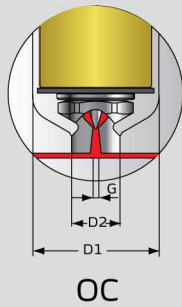
Open nozzle series 18開放式系統熱咀系列



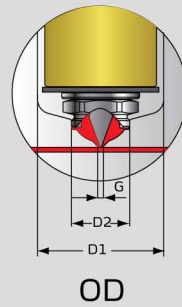
OA



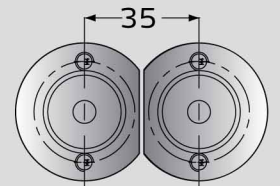
OB



OC



OD



兩熱咀間最小間距35

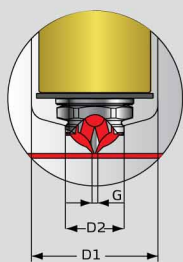
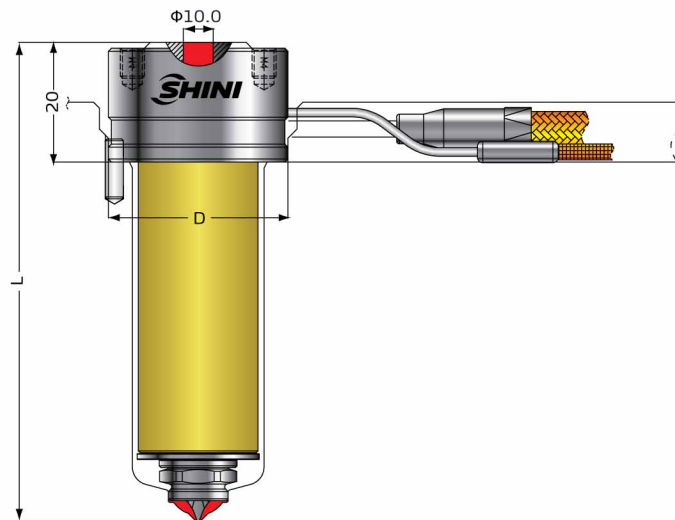
■ 熱咀參數規格表/ Table of Nozzle Parameter and Specification

項目/Project	型號/Models	OA3818	OB3818	OC3818	OD3818
注塑重量(g) Molding Weight		< 150g			
熱咀法蘭尺寸ΦD Dimension of nozzle flange		Φ38.0			
最小避空孔尺寸D1 Minimum Clearance Orifice		Φ30.0			
封膠尺寸ΦD2 Size of Sealing Compounds		Φ14.0	Φ12.0	Φ12.0	Φ14.0
出澆口ΦG Sprue Gate		Φ1.2, Φ1.5, Φ1.8	Φ1.2, Φ1.5, Φ1.8	Φ1.5, Φ2.0, Φ2.5	Φ1.2, Φ1.5, Φ1.8
熱咀長度(L)(mm) Nozzle Length		60.00	60.00	60.00	60.00
		70.00	70.00	70.00	70.00
		80.00	80.00	80.00	80.00
		90.00	90.00	90.00	90.00
		100.00	100.00	100.00	100.00
		110.00	110.00	110.00	110.00
		120.00	120.00	120.00	120.00
		130.00	130.00	130.00	130.00
		140.00	140.00	140.00	140.00
	150.00	150.00	150.00	150.00	

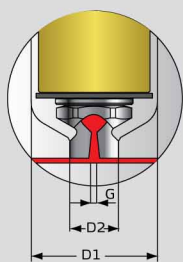
注：熱咀長度可根據客戶模具要求訂制。

Note: nozzle length can be customized according to customer's demand for mold.

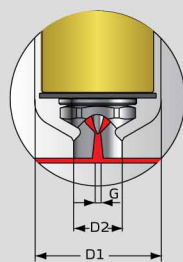
Open nozzle series
25開放式系統熱咀系列



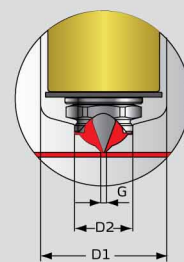
OA



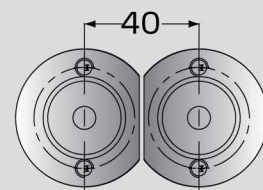
OB



OC



OD



兩熱咀間最小間距40

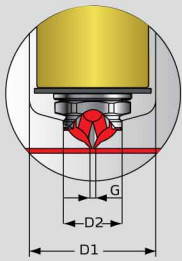
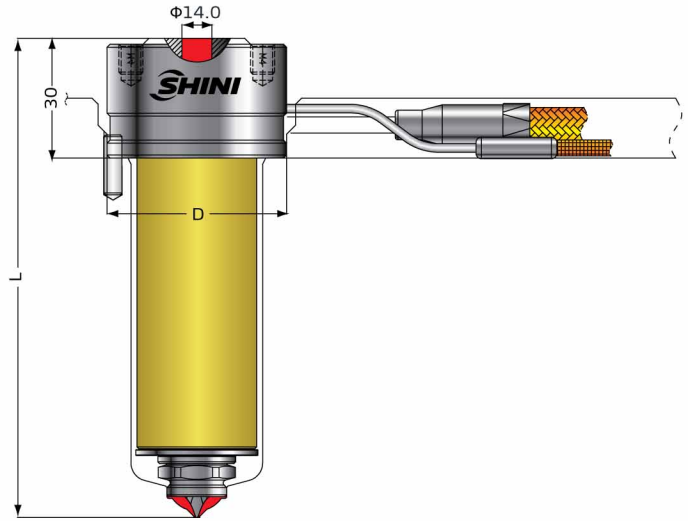
■ 熱咀參數規格表/ Table of Nozzle Parameter and Specification

項目/Project	型號/Models	OA4425	OB4425	OC4425	OD4425
注塑重量(g) Molding Weight		< 250g			
熱咀法蘭尺寸 ϕD Dimension of nozzle flange		$\phi 44.0$			
最小避空孔尺寸D1 Minimum Clearance Orifice		$\phi 36.0$			
封膠尺寸 $\phi D2$ Size of Sealing Compounds		$\phi 18.0$	$\phi 16.0$	$\phi 16.0$	$\phi 18.0$
出澆口 ϕG Sprue Gate		$\phi 1.5, \phi 1.8, \phi 2.0$	$\phi 1.5, \phi 1.8, \phi 2.0$	$\phi 2.0, \phi 2.5, \phi 3.0$	$\phi 1.5, \phi 1.8, \phi 2.0$
熱咀長度(L)(mm) Nozzle Length		60.00	70.00	70.00	60.00
		70.00	80.00	80.00	70.00
		80.00	90.00	90.00	80.00
		90.00	100.00	100.00	90.00
		100.00	110.00	110.00	100.00
		110.00	120.00	120.00	110.00
		120.00	130.00	130.00	120.00
		130.00	140.00	140.00	130.00
		140.00	150.00	150.00	140.00
	150.00	160.00	160.00	150.00	

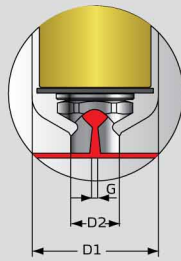
注：熱咀長度可根據客戶模具要求訂制。

Note: nozzle length can be customized according to customer's demand for mold.

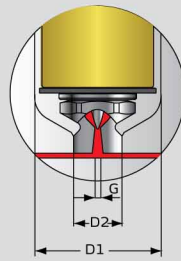
Open nozzle series 35開放式系統熱咀系列



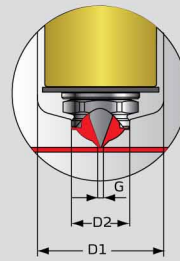
OA



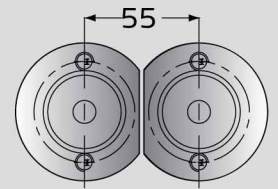
OB



OC



OD



兩熱咀間最小間距55

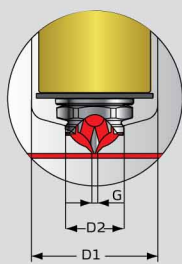
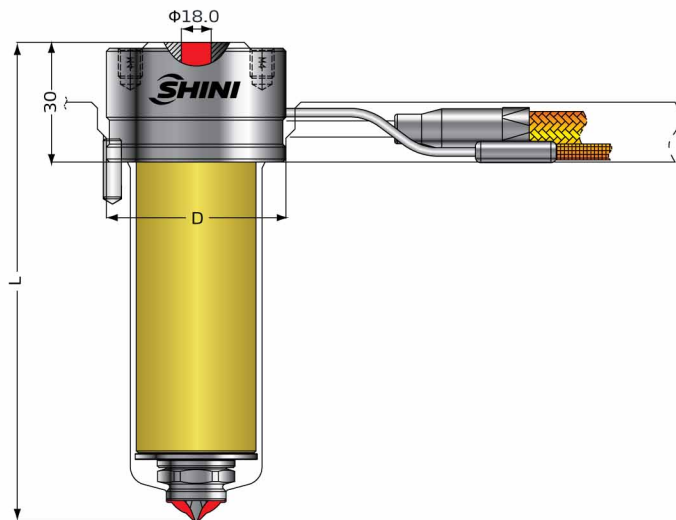
熱咀參數規格表/ Table of Nozzle Parameter and Specification

項目/Project	型號/Models	OA6035	OB6035	OC6035	OD6035
注塑重量(g) Molding Weight		< 350g			
熱咀法蘭尺寸 ϕD Dimension of nozzle flange		$\phi 60.0$			
最小避空孔尺寸 $D1$ Minimum Clearance Orifice		$\phi 48.0$			
封膠尺寸 $\phi D2$ Size of Sealing Compounds		$\phi 26.0$	$\phi 18.0$	$\phi 18.0$	$\phi 26.0$
出澆口 ϕG Sprue Gate		$\phi 2.0, \phi 2.5, \phi 3.0$	$\phi 2.0, \phi 2.5, \phi 3.0$	$\phi 2.5, \phi 3.0, \phi 4.0$	$\phi 2.0, \phi 2.5, \phi 3.0$
熱咀長度(L)(mm) Nozzle Length		60.00	60.00	60.00	60.00
		70.00	70.00	70.00	70.00
		80.00	80.00	80.00	80.00
		90.00	90.00	90.00	90.00
		100.00	100.00	100.00	100.00
		110.00	110.00	110.00	110.00
		120.00	120.00	120.00	120.00
		130.00	130.00	130.00	130.00
		140.00	140.00	140.00	140.00
	150.00	150.00	150.00	150.00	

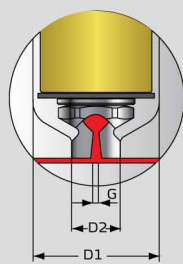
注：熱咀長度可根據客戶模具要求訂制。

Note: nozzle length can be customized according to customer's demand for mold.

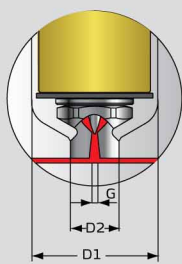
Open nozzle series 45開放式系統熱咀系列



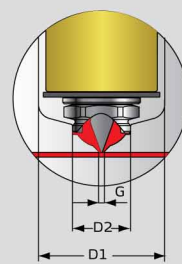
OA



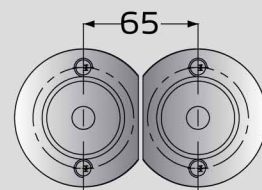
OB



OC



OD



兩熱咀間最小間距65

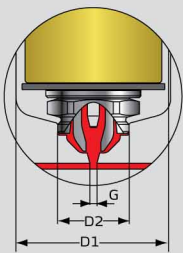
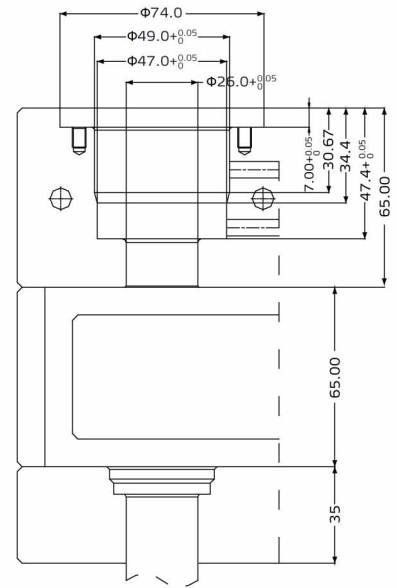
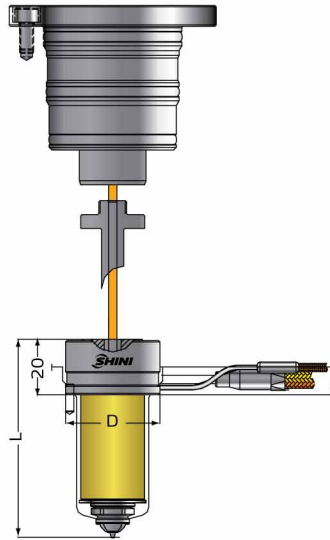
熱咀參數規格表/ Table of Nozzle Parameter and Specification

項目/Project	型號/Models	OA7045	OB7045	OC7045	OD7045
注塑重量(g) Molding Weight		350g above			
熱咀法蘭尺寸 ϕD Dimension of nozzle flange		$\phi 70.0$			
最小避空孔尺寸 $D1$ Minimum Clearance Orifice		$\phi 58.0$			
封膠尺寸 $\phi D2$ Size of Sealing Compounds		$\phi 34.0$	$\phi 20.0$	$\phi 20.0$	$\phi 34.0$
出澆口 ϕG Sprue Gate		$\phi 2.5, \phi 3.0, \phi 3.5$	$\phi 2.5, \phi 3.0, \phi 3.5$	$\phi 3.0, \phi 3.5, \phi 4.0$	$\phi 2.5, \phi 3.0, \phi 3.5$
熱咀長度(L)(mm) Nozzle Length		60.00	60.00	60.00	60.00
		70.00	70.00	70.00	70.00
		80.00	80.00	80.00	80.00
		90.00	90.00	90.00	90.00
		100.00	100.00	100.00	100.00
		110.00	110.00	110.00	110.00
		120.00	120.00	120.00	120.00
		130.00	130.00	130.00	130.00
		140.00	140.00	140.00	140.00
	150.00	150.00	150.00	150.00	

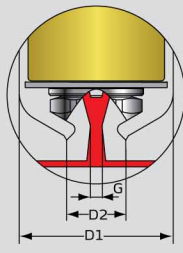
注：熱咀長度可根據客戶模具要求訂制。

Note: nozzle length can be customized according to customer's demand for mold.

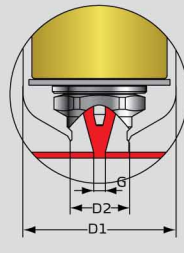
Pin- valve nozzle series 15針閥式系統熱咀系列



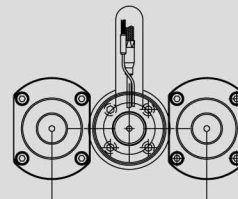
VA



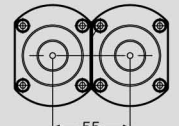
VB



VC



主灌嘴旁邊最小氣缸排位間距



氣缸排位間距

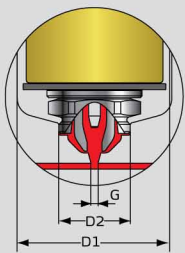
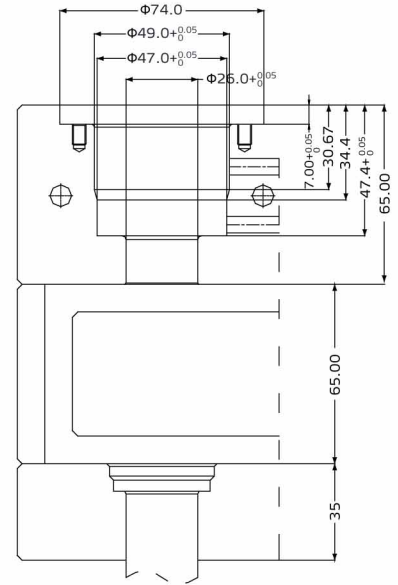
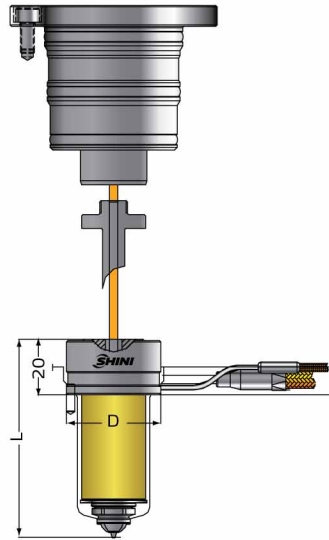
■ 熱咀參數規格表/ Table of Nozzle Parameter and Specification

型號/Models		VA3515	VB3515	VC3515
項目/Project				
注塑重量(g) Molding Weight			< 80g	
氣缸內徑大小 Internal diameter of cylinder			$\Phi 40.0$	
熱咀法蘭尺寸 ΦD Dimension of nozzle flange			$\Phi 35.0$	
最小避空孔尺寸 $D1$ Minimum Clearance Orifice			$\Phi 26.0$	
封膠尺寸 $\Phi D2$ Size of Sealing Compounds		$\Phi 12.0$	$\Phi 10.0$	$\Phi 10.0$
出澆口 ΦG Sprue Gate		$\Phi 1.0, \Phi 1.5, \Phi 2.0$	$\Phi 1.0, \Phi 1.5, \Phi 2.0$	$\Phi 1.0, \Phi 1.5, \Phi 2.0$
閥針控制 Reference		60.00 70.00 80.00 90.00 100.00 110.00 120.00 130.00 140.00 150.00	60.00 70.00 80.00 90.00 100.00 110.00 120.00 130.00 140.00 150.00	60.00 70.00 80.00 90.00 100.00 110.00 120.00 130.00 140.00 150.00
驅動介質 Media	空氣 Air			
驅動氣壓 Pressure	6bar 8bar			
閥針行程 Pin Stroke	10mm			
反應時間 Reaction Time	0.5s			
	熱咀長度(L)(mm) Nozzle Length			

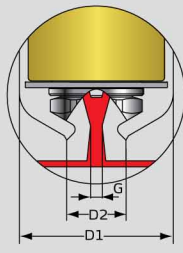
注：熱咀長度可根據客戶模具要求訂制。

Note: nozzle length can be customized according to customer's demand for mold.

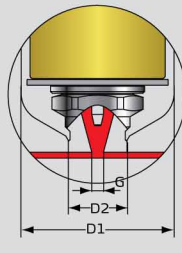
Pin- valve nozzle series 18針閥式系統熱咀系列



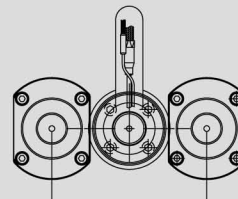
VA



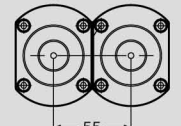
VB



VC



主灌嘴旁邊最小氣缸排位間距



氣缸排位間距

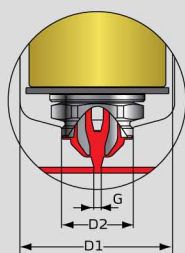
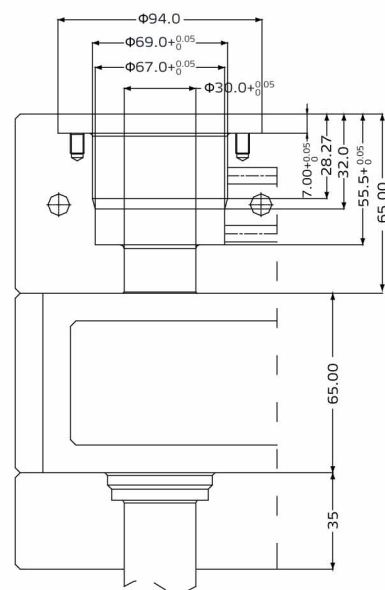
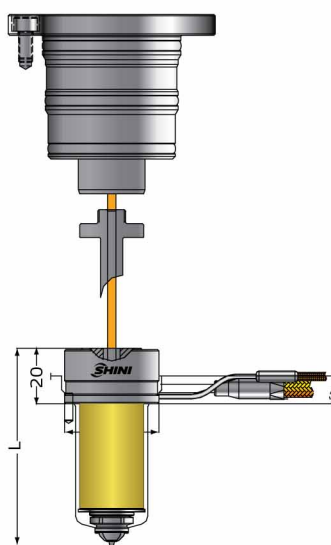
熱咀參數規格表/ Table of Nozzle Parameter and Specification

項目/Project		型號/Models		VA3818	VB3818	VC3818
注型重量(g) Molding Weight					< 160g	
氣缸內徑大小 Internal diameter of cylinder					$\Phi 40.0$	
熱咀法蘭尺寸 ΦD Dimension of nozzle flange					$\Phi 38.0$	
最小避空孔尺寸 $D1$ Minimum Clearance Orifice					$\Phi 30.0$	
封膠尺寸 $\Phi D2$ Size of Sealing Compounds				$\Phi 14.0$	$\Phi 12.0$	$\Phi 12.0$
出澆口 ΦG Sprue Gate				$\Phi 1.5, \Phi 2.0, \Phi 2.5$	$\Phi 1.5, \Phi 2.0, \Phi 2.5$	$\Phi 1.5, \Phi 2.0, \Phi 2.5$
閥針控制 Reference				60.00 70.00 80.00 90.00 100.00 110.00 120.00 130.00 140.00 150.00	60.00 70.00 80.00 90.00 100.00 110.00 120.00 130.00 140.00 150.00	60.00 70.00 80.00 90.00 100.00 110.00 120.00 130.00 140.00 150.00
驅動介質 Media	空氣 Air	熱咀長度(L)(mm) Nozzle Length				
驅動氣壓 Pressure	6bar 8bar					
閥針行程 Pin Stroke	10mm					
反應時間 Reaction Time	0.5s					

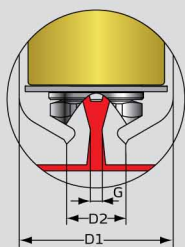
注：熱咀長度可根據客戶模具要求訂制。

Note: nozzle length can be customized according to customer's demand for mold.

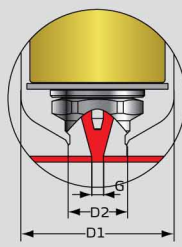
Pin- valve nozzle series 25針閥式系統熱咀系列



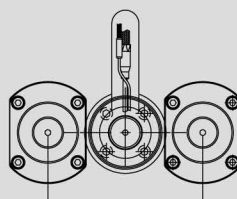
VA



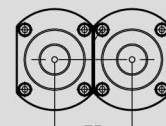
VB



VC



主灌嘴旁邊最小氣缸排位間距



氣缸排位間距

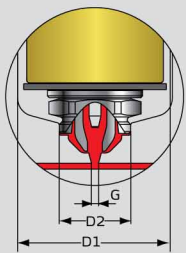
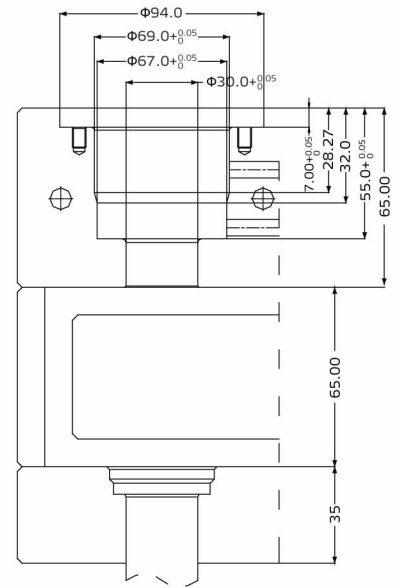
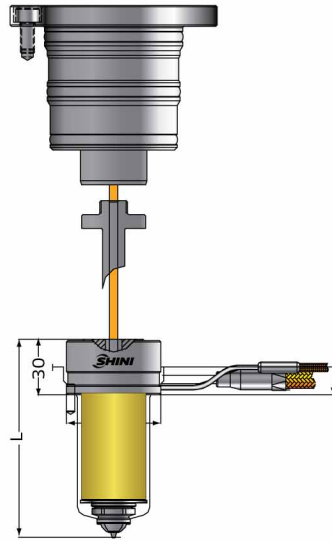
熱咀參數規格表/ Table of Nozzle Parameter and Specification

型號/Models		VA4425	VB4425	VC4425
項目/Project				
注塑重量(g) Molding Weight			< 280g	
氣缸內徑大小 Internal diameter of cylinder			Φ60.0	
熱咀法蘭尺寸ΦD Dimension of nozzle flange			Φ44.0	
最小避空孔尺寸D1 Minimum Clearance Orifice			Φ36.0	
封膠尺寸ΦD2 Size of Sealing Compounds		Φ18.0	Φ16.0	Φ16.0
出澆口ΦG Sprue Gate		Φ2.5, Φ3.0, Φ3.5	Φ2.5, Φ3.0, Φ3.5	Φ2.5, Φ3.0, Φ3.5
閥針控制 Reference		60.00 70.00 80.00	60.00 70.00 80.00	60.00 70.00 80.00
驅動介質 Media	空氣 Air	90.00	90.00	90.00
驅動氣壓 Pressure	8bar 10bar	100.00 110.00	100.00 110.00	100.00 110.00
閥針行程 Pin Stroke	15mm	120.00 130.00	120.00 130.00	120.00 130.00
反應時間 Reaction Time	0.5s	140.00 150.00	140.00 150.00	140.00 150.00

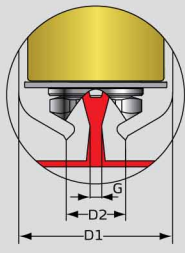
注：熱咀長度可根據客戶模具要求訂制。

Note: nozzle length can be customized according to customer's demand for mold.

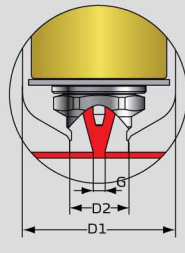
Pin- valve nozzle series 35針閥式系統熱咀系列



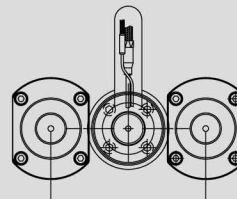
VA



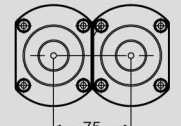
VB



VC



主灌嘴旁邊最小氣缸排位間距



氣缸排位間距

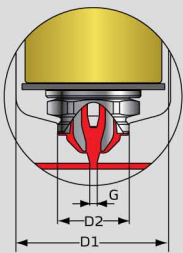
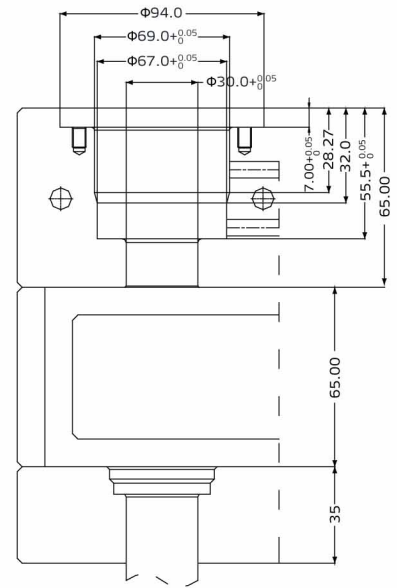
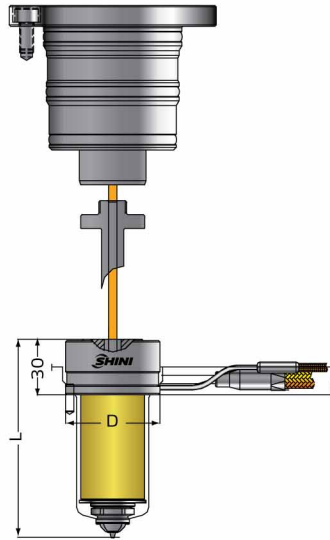
熱咀參數規格表/ Table of Nozzle Parameter and Specification

項目/Project		型號/Models		VA6035	VB6035	VC6035
注塑重量(g) Molding Weight					< 400g	
氣缸內徑大小 Internal diameter of cylinder					$\Phi 60.0$	
熱咀法蘭尺寸 ΦD Dimension of nozzle flange					$\Phi 60.0$	
最小避空孔尺寸 $D1$ Minimum Clearance Orifice					$\Phi 48.0$	
封膠尺寸 $\Phi D2$ Size of Sealing Compounds				$\Phi 26.0$	$\Phi 18.0$	$\Phi 18.0$
出澆口 ΦG Sprue Gate				$\Phi 3.5, \Phi 4.0, \Phi 4.5$	$\Phi 3.5, \Phi 4.0, \Phi 4.5$	$\Phi 3.5, \Phi 4.0, \Phi 4.5$
閥針控制 Reference				60.00 70.00 80.00 90.00 100.00 110.00 120.00 130.00 140.00 150.00	60.00 70.00 80.00 90.00 100.00 110.00 120.00 130.00 140.00 150.00	60.00 70.00 80.00 90.00 100.00 110.00 120.00 130.00 140.00 150.00
驅動介質 Media	空氣 Air					
驅動氣壓 Pressure	8bar 10bar					
閥針行程 Pin Stroke	15mm					
反應時間 Reaction Time	0.5s					

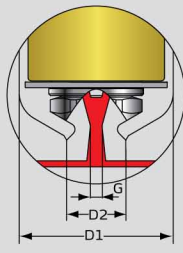
注：熱咀長度可根據客戶模具要求訂制。

Note: nozzle length can be customized according to customer's demand for mold.

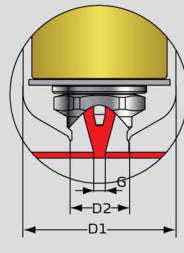
Pin- valve nozzle series 45針閥式系統熱咀系列



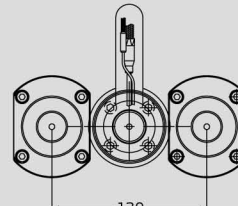
VA



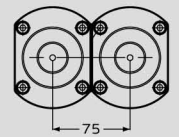
VB



VC



主灌嘴旁邊最小氣缸排位間距
Minimum Distance between
Two Cylinders Beside the Main
Nozzle Mouth



氣缸排位間距
Distance between
Two Cylinders

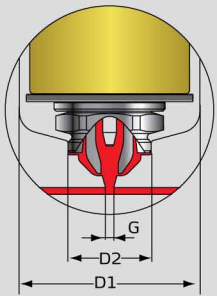
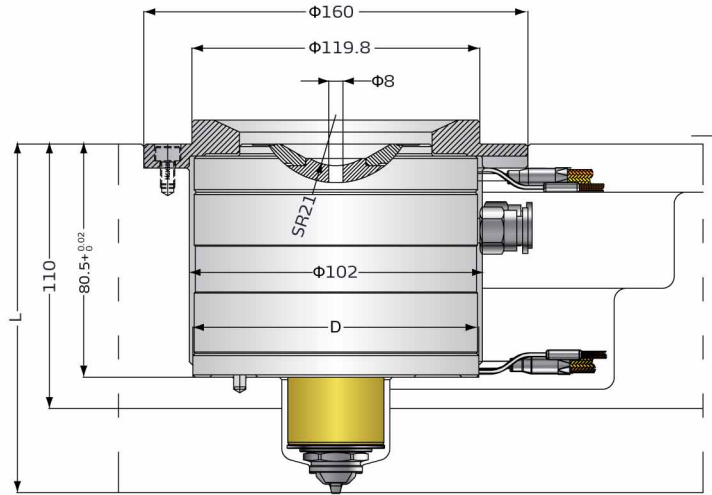
■ 熱咀參數規格表/ Table of Nozzle Parameter and Specification

項目/Project		型號/Models		VA7045	VB7045	VC7045
注塑重量(g) Molding Weight				400g above		
氣缸內徑大小 Internal diameter of cylinder				Φ60		
熱咀法蘭尺寸ΦD Dimension of nozzle flange				Φ70.0		
最小避空孔尺寸D1 Minimum Clearance Orifice				Φ58.0		
封膠尺寸ΦD2 Size of Sealing Compounds				Φ34.0	Φ20.0	Φ20.0
出澆口ΦG Sprue Gate				Φ4.0, Φ4.5, Φ5.0	Φ4.0, Φ4.5, Φ5.0	Φ4.0, Φ4.5, Φ5.0
閥針控制 Reference				60.00	60.00	60.00
驅動介質 Media		空氣 Air		70.00	70.00	70.00
驅動氣壓 Pressure		8bar 10bar		80.00	80.00	80.00
閥針行程 Pin Stroke		15mm		90.00	90.00	90.00
反應時間 Reaction Time		0.5s		100.00	100.00	100.00
				110.00	110.00	110.00
				120.00	120.00	120.00
				130.00	130.00	130.00
				140.00	140.00	140.00
				150.00	150.00	150.00

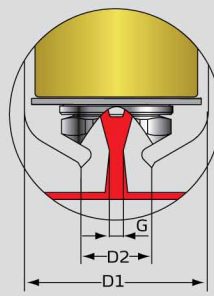
注：熱咀長度可根據客戶模具要求訂制。

Note: nozzle length can be customized according to customer's demand for mold.

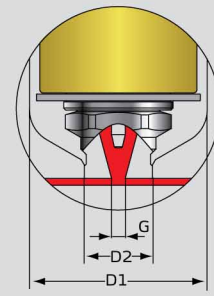
Nozzle with Single-point Pin Valve 單點針閥式系列(SVG30)



SVGA



SVGB



SVGC

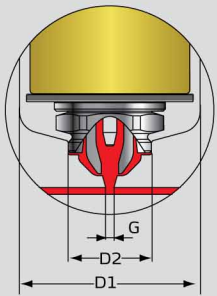
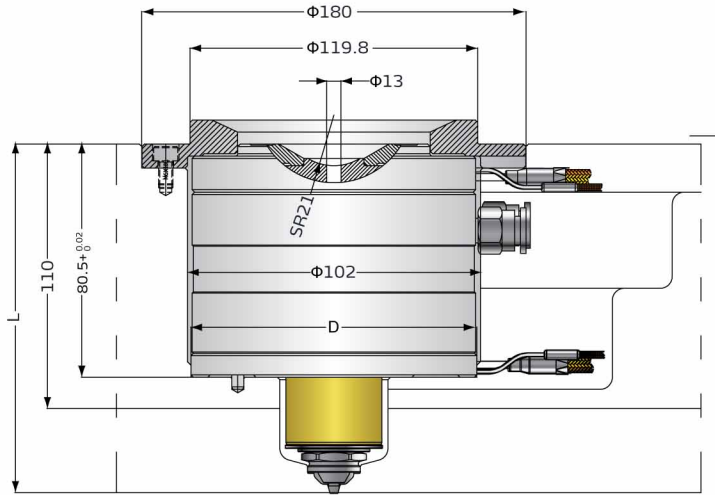
熱咀參數規格表/ Table of Nozzle Parameter and Specification

型號/Models		SVGA30	SVGB30	SVGC30
項目/Project				
注塑重量(g) Molding Weight			< 350g	
熱咀法蘭尺寸 ΦD Dimension of nozzle flange			$\Phi 100.0$	
最小避空孔尺寸 $D1$ Minimum Clearance Orifice			$\Phi 42.0$	
封膠尺寸 $\Phi D2$ Size of Sealing Compounds		$\Phi 22.0/\Phi 16.0$	$\Phi 22.0/\Phi 16.0$	$\Phi 22.0/\Phi 16.0$
出澆口 ΦG Sprue Gate		$\Phi 2.0, \Phi 2.5, \Phi 3.0$	$\Phi 2.0, \Phi 2.5, \Phi 3.0$	$\Phi 2.0, \Phi 2.5, \Phi 3.0$
閥針控制 Reference		145.00	145.00	145.00
驅動介質 Media	空氣 Air	155.00	155.00	155.00
		165.00	165.00	165.00
驅動氣壓 Pressure	8bar	175.00	175.00	175.00
	10bar	185.00	185.00	185.00
閥針行程 Pin Stroke	10mm	195.00	195.00	195.00
反應時間 Reaction Time		205.00	205.00	205.00
		215.00	215.00	215.00

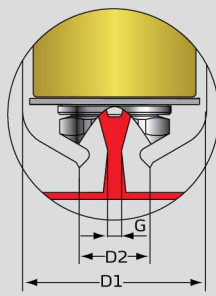
注：熱咀長度可根據客戶模具要求訂制。

Note: nozzle length can be customized according to customer's demand for mold.

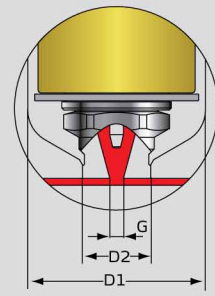
Nozzle with Single-point Pin Valve 單點針閥式系列(SVG42)



SVGA



SVGB



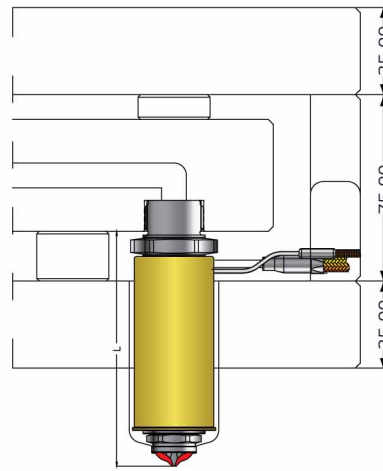
SVGC

熱咀參數規格表/ Table of Nozzle Parameter and Specification

型號/Models		SVGA42	SVGB42	SVGC42
項目/Project				
注塑重量(g) Molding Weight		500g above		
熱咀法蘭尺寸ΦD Dimension of nozzle flange		Φ120.0		
最小避空孔尺寸D1 Minimum Clearance Orifice		Φ55.0		
封膠尺寸ΦD2 Size of Sealing Compounds		Φ30.0/Φ20.0	Φ30.0/Φ20.0	Φ30.0/Φ20.0
出澆口ΦG Sprue Gate		Φ3.5, Φ4.0, Φ4.5	Φ3.5, Φ4.0, Φ4.5	Φ3.5, Φ4.0, Φ4.5
閥針控制 Reference		150.00	150.00	150.00
驅動介質 Media	空氣 Air	160.00	160.00	160.00
	8bar 10bar	170.00	170.00	170.00
驅動氣壓 Pressure		180.00	180.00	180.00
閥針行程 Pin Stroke	10mm	190.00	190.00	190.00
反應時間 Reaction Time		200.00	200.00	200.00
	0.5s	210.00	210.00	210.00
		220.00	220.00	220.00

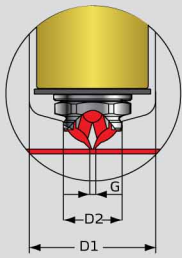
注：熱咀長度可根據客戶模具要求訂制。

Note: nozzle length can be customized according to customer's demand for mold.

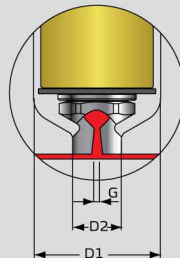


整體式系統優勢:

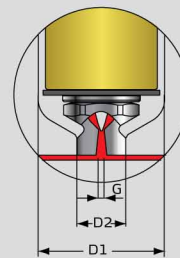
- 拆裝方便，整體吊裝吊拆
- 熱阻螺紋連接，降低溢料風險
- 縮減了點位間距
- 排線簡捷，接插方便
- 簡化模具加工，縮短模具週期



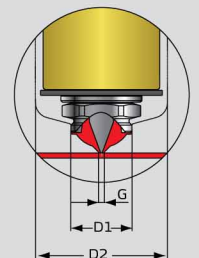
EOA



EOB



EOC



EOD

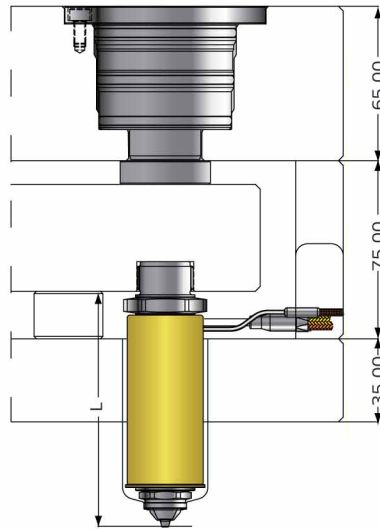
熱阻參數規格表/ Table of Nozzle Parameter and Specification

項目/Project 型號/Models	E015	E018	E025	E035	E045
注塑重量(g) Molding Weight	< 60g	< 150g	< 250g	< 350g	350g以上
最小避空孔ΦD1 Minimum Clearance Orifice	Φ 26.0	Φ30.0	Φ36.0	Φ48.0	Φ58.0
出澆口ΦG Sprue Gate	Φ1.0,Φ1.2,Φ1.5	Φ1.2,Φ1.5,Φ1.8	Φ1.8,Φ2.0,Φ2.5	Φ2.5,Φ3.0,Φ3.5	Φ3.5,Φ4.0,Φ4.5
封膠尺寸ΦD2 Size of Sealing Compounds	Φ12.0/Φ10.0	Φ14.0/Φ12.0	Φ18.0/Φ16.0	Φ26.0/Φ18.0	Φ34.0/Φ20.0
熱阻長度(L)(mm) Nozzle Length	65.00	70.00	75.00	80.00	100.00
	75.00	80.00	85.00	90.00	110.00
	85.00	90.00	95.00	100.00	120.00
	95.00	100.00	105.00	110.00	130.00
	105.00	110.00	115.00	120.00	140.00
	115.00	120.00	125.00	130.00	150.00
	125.00	130.00	135.00	140.00	160.00
	135.00	140.00	145.00	150.00	170.00
	145.00	150.00	155.00	160.00	180.00
155.00	160.00	165.00	170.00	190.00	

注：熱阻長度可根據客戶模具要求訂制。

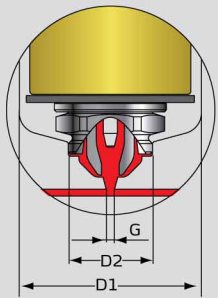
Note: nozzle length can be customized according to customer's demand for mold.

Integrated System with Pin Valve 針閥整體式系列

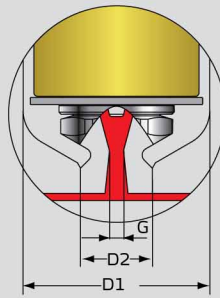


整體式系統優勢:

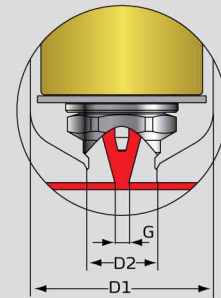
- 拆裝方便
- 熱咀螺紋連接，降低溢料風險
- 縮減了點位間距
- 排線簡捷，接插方便
- 簡化模具加工，縮短模具週期



EVA



EVB



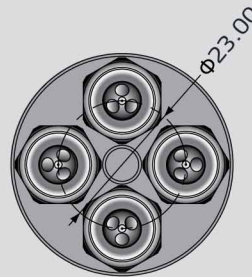
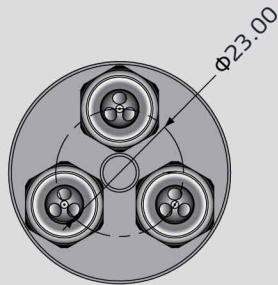
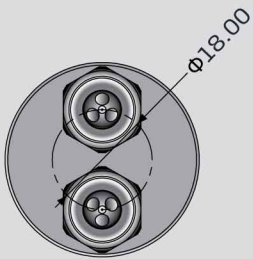
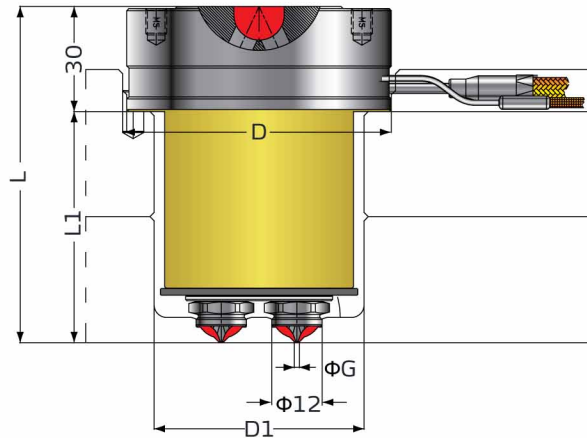
EVC

■ 熱咀參數規格表/ Table of Nozzle Parameter and Specification

項目/Project 型號/Models	EV15	EV18	EV25	EV35	EV45
注塑重量(g) Molding Weight	< 80g	< 160g	< 280g	< 400g	400g以上
氣缸缸徑 Cylinder Diameter	Φ40.00	Φ40.00	Φ60.00	Φ60.00	Φ60.00
熱咀避空孔Φ D1 Minimum Clearance Orifice	Φ26.0	Φ30.0	Φ36.0	Φ48.0	Φ58.0
出澆口Φ G Sprue Gate	Φ1.0, Φ1.2, Φ1.5	Φ1.5, Φ2.0, Φ2.5	Φ2.0, Φ2.5, Φ3.0	Φ3.0, Φ3.5, Φ4.0	Φ4.0, Φ4.5, Φ5.0
封膠尺寸Φ D2 Size of Sealing Compounds	Φ12.0/Φ10.0	Φ14.0/Φ12.0	Φ18.0/Φ16.0	Φ26.0/Φ18.0	Φ34.0/Φ20.0
熱咀長度(L)(mm) Nozzle Length	65.00	70.00	75.00	80.00	100.00
	75.00	80.00	85.00	90.00	110.00
	85.00	90.00	95.00	100.00	120.00
	95.00	100.00	105.00	110.00	130.00
	105.00	110.00	115.00	120.00	140.00
	115.00	120.00	125.00	130.00	150.00
	125.00	130.00	135.00	140.00	160.00
	135.00	140.00	145.00	150.00	170.00
	145.00	150.00	155.00	160.00	180.00
155.00	160.00	165.00	170.00	190.00	

注：熱咀長度可根據客戶模具要求訂制。

Note: nozzle length can be customized according to customer's demand for mold.



多頭標準熱咀參數系列/Parameter of Multi-head Standard Nozzle

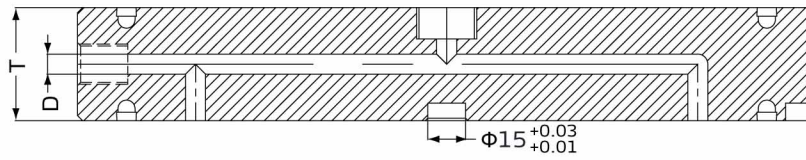
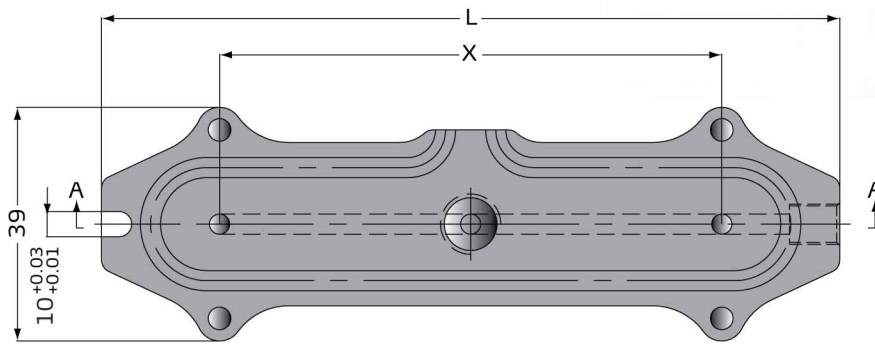
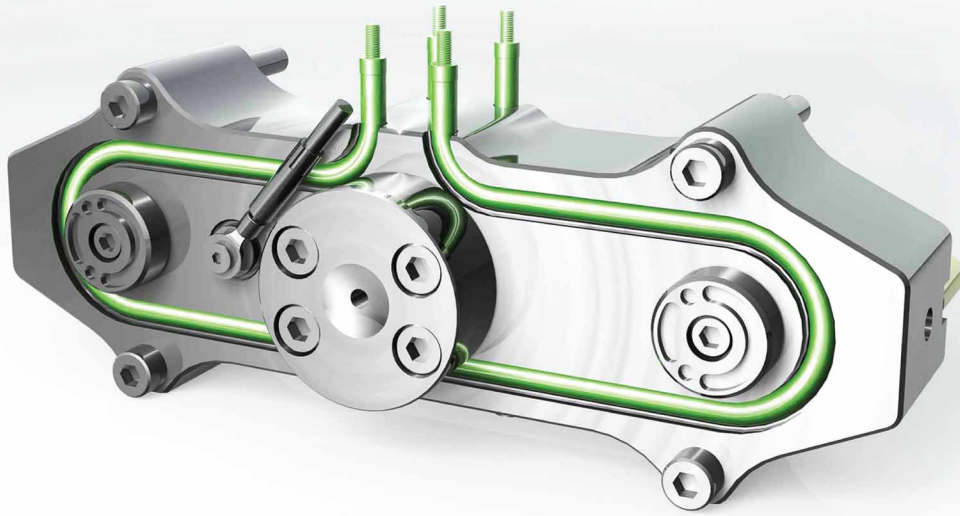
項目/Project	型號/Models			OAMT 5235			OAMT 5740			OAMT 6245		
注塑重量(g) Molding Weight				<20g			<30g			<40g		
可選咀尖點數 Number of Nozzle Tips				T-02			T-02 T-03 T-04			T-02 T-03 T-04 T-05		
定位尺寸ΦD Minimum Clearance Orifice				Φ52.00			Φ57.00			Φ62.00		
最小避空孔ΦD1 Minimum Clearance Orifice				Φ45.00			Φ50.00			Φ55.00		
出澆口Φ G Sprue Gate				Φ1.0,Φ1.2,Φ1.5			Φ1.0,Φ1.2,Φ1.5			Φ1.0,Φ1.2,Φ1.5		
熱咀規格 Nozzle Specification	熱咀型號 Model	直徑 Diameter	長度 Length	熱咀型號 Model	直徑 Diameter	長度 Length	熱咀型號 Model	直徑 Diameter	長度 Length	熱咀型號 Model	直徑 Diameter	長度 Length
	5235	Φ35.00	80	5740	Φ40.00	80	6245	Φ45.00	80	6245	Φ45.00	80
	5235		90	5740		90	6245		90			
	5235		100	5740		100	6245		100			
	5235		110	5740		110	6245		110			
	5235		120	5740		120	6245		120			
	5235		130	5740		130	6245		130			

注：熱咀長度可根據客戶模具要求訂制。

Note: nozzle length can be customized according to customer's demand for mold.

I-type Manifold Block

I型流道板



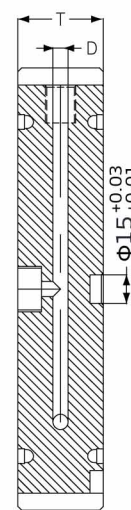
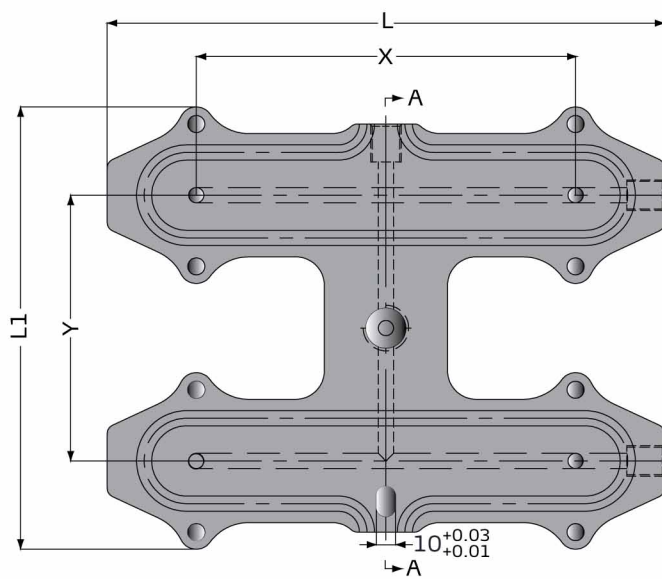
SECTION A-A

Unit: mm

T	D(φ)	L=140 X	L=155 X	L=170 X	L=185 X	L=200 X	L=215 X	L=230 X	L=245 X	L=260 X	L=275 X
40	6-8	55	70	85	100	115	130	145	150	165	180
45	8-12	55	70	85	100	115	130	145	150	165	180
50	12-14	55	70	85	100	115	130	145	150	165	180

H-type Manifold Block

H型流道板



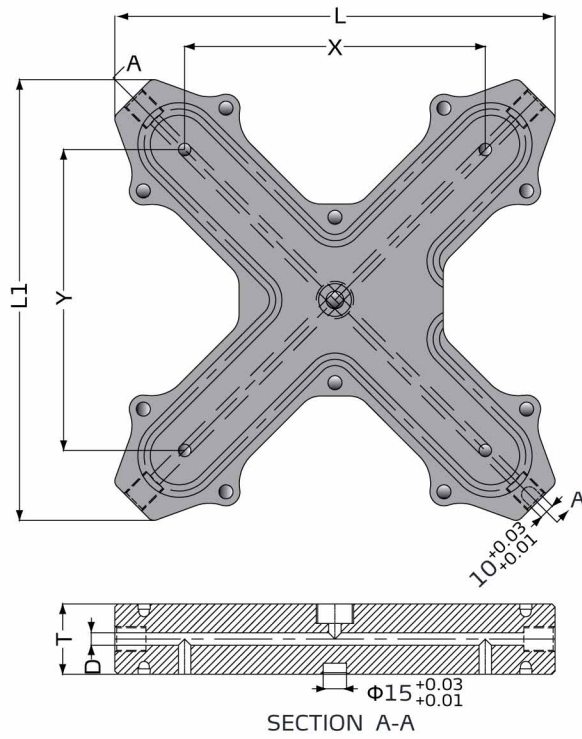
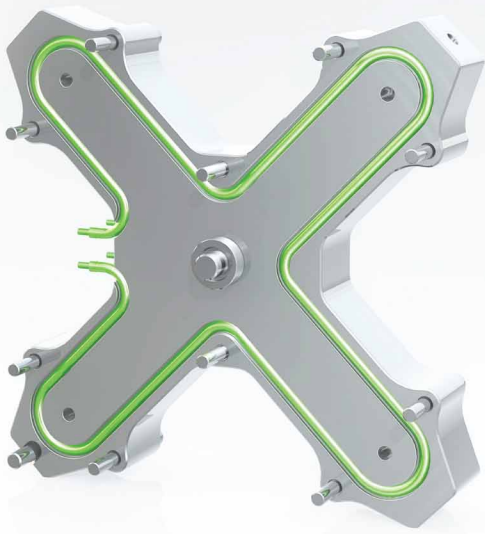
SECTION A-A

Unit: mm

Y	L1	板厚T Thickness	D(Φ)	L=155 X	L=170 X	L=185 X	L=200 X	L=215 X	L=230 X	L=245 X	L=260 X	L=275 X	L=290 X
60	153	40	6-8	70	85	100	115	130	145	160	175	190	205
75	168	45	8-12	70	85	100	115	130	145	160	175	190	205
90	183	50	12-14	70	85	100	115	130	145	160	175	190	205

X-type Manifold Block

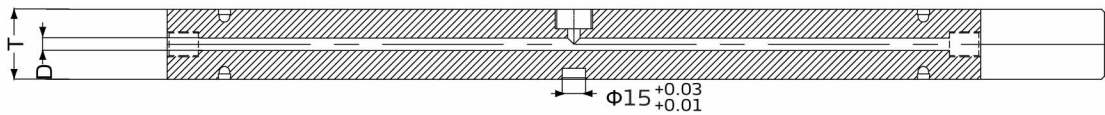
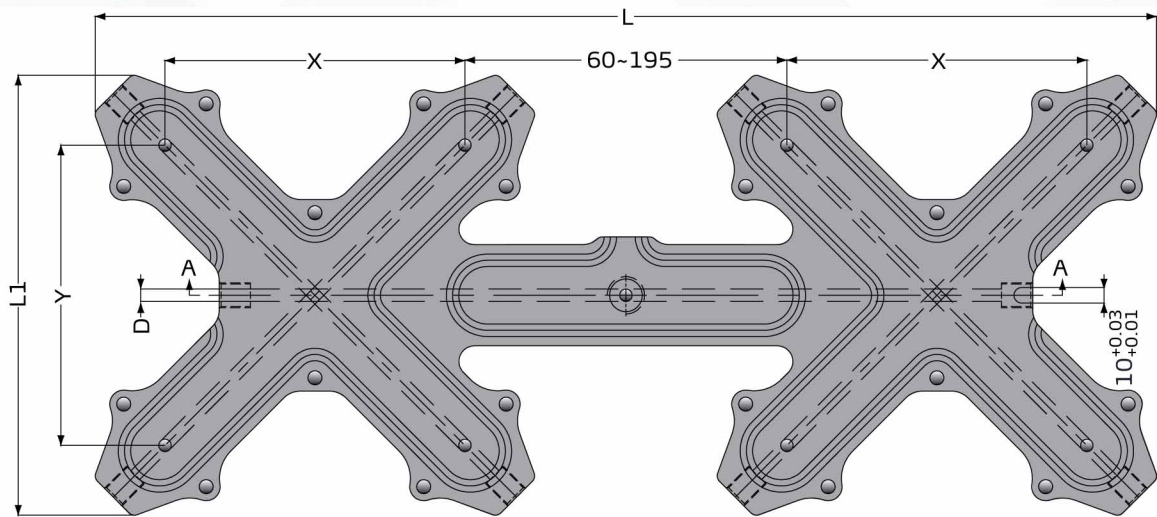
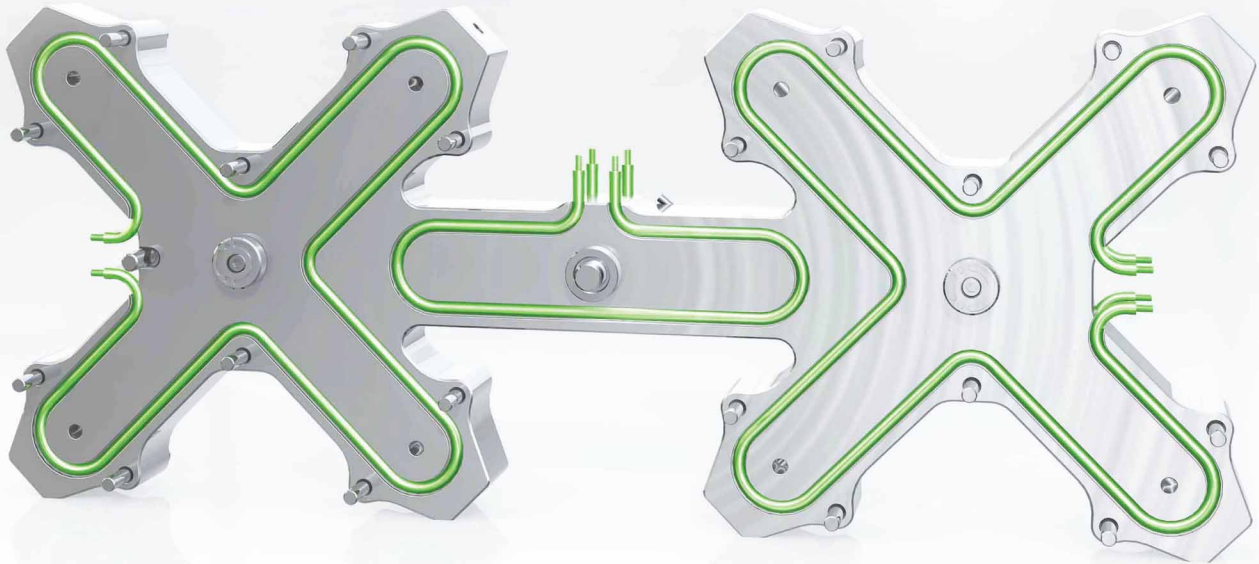
X型流道板



Unit: mm

T	D(ϕ)	L=145 X/Y	L=160 X/Y	L=175 X/Y	L=190 X/Y	L=205 X/Y	L=220 X/Y	L=235 X/Y	L=250 X/Y	L=266 X/Y	L=280 X/Y
40	6-8	60	75	90	105	120	135	150	165	180	195
45	8-12	60	75	90	105	120	135	150	165	180	195
50	12-14	60	75	90	105	120	135	150	165	180	195

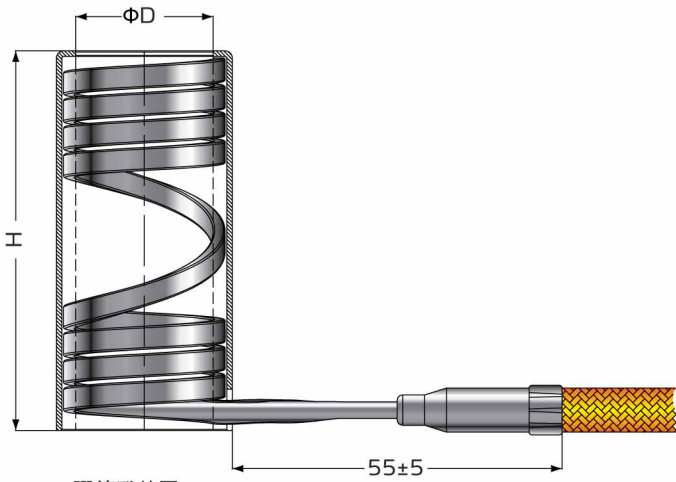
XX-type Manifold Block
XX型流道板



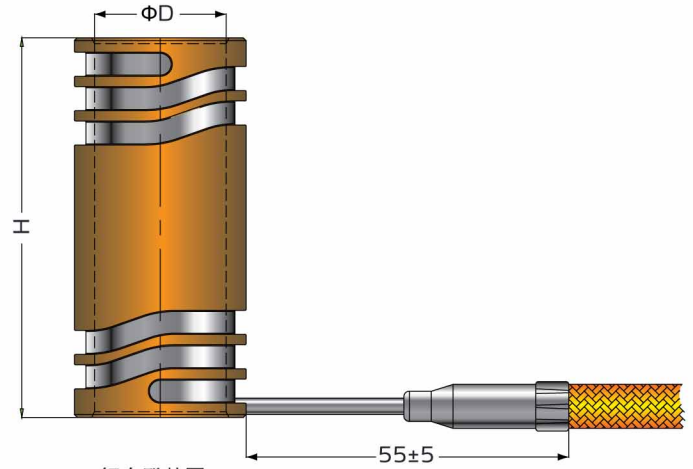
Unit: mm

T	D(φ)	L=300 L1=145 X/Y	L=330 L1=160 X/Y	L=360 L1=175 X/Y	L=390 L1=190 X/Y	L=420 L1=205 X/Y	L=450 L1=220 X/Y	L=480 L1=235 X/Y	L=510 L1=250 X/Y	L=540 L1=265 X/Y	L=570 L1=280 X/Y
40	6-8	60	75	90	105	120	135	150	165	180	195
45	8-12	60	75	90	105	120	135	150	165	180	195
50	12-14	60	75	90	105	120	135	150	165	180	195

Heating Ring 發熱圈系列



彈簧發熱圈
Spring Heating Ring



銅套發熱圈
Copper-sheathed Heating Ring

Unit: mm

Model	ΦD	H	Model	ΦD	H
HT-D13-H40	Φ13.00	40	HT-D13-H100	Φ13.00	100
HT-D13-H50		50	HT-D13-H110		110
HT-D13-H60		60	HT-D13-H120		120
HT-D13-H70		70	HT-D13-H130		130
HT-D13-H80		80	HT-D13-H140		140
HT-D13-H90		90	HT-D13-H150		150

Unit: mm

Model	ΦD	H	Model	ΦD	H
HT-D15-H40	Φ15.00	40	HT-D15-H100	Φ15.00	100
HT-D15-H50		50	HT-D15-H110		110
HT-D15-H60		60	HT-D15-H120		120
HT-D15-H70		70	HT-D15-H130		130
HT-D15-H80		80	HT-D15-H140		140
HT-D15-H90		90	HT-D15-H150		150

Unit: mm

Model	ΦD	H	Model	ΦD	H
HT-D18-H45	Φ18.00	45	HT-D18-H105	Φ18.00	105
HT-D18-H55		55	HT-D18-H115		115
HT-D18-H65		65	HT-D18-H125		125
HT-D18-H75		75	HT-D18-H135		135
HT-D18-H85		85	HT-D18-H145		145
HT-D18-H95		95	HT-D18-H155		155

Unit: mm

Model	ΦD	H	Model	ΦD	H
HT-D25-H45	Φ25.00	45	HT-D25-H105	Φ25.00	105
HT-D25-H55		55	HT-D25-H115		115
HT-D25-H65		65	HT-D25-H125		125
HT-D25-H75		75	HT-D25-H135		135
HT-D25-H85		85	HT-D25-H145		145
HT-D25-H95		95	HT-D25-H155		155

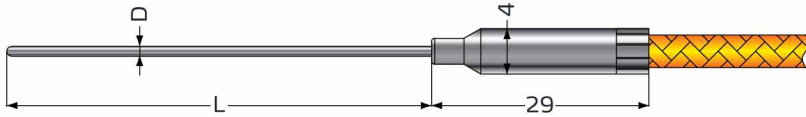
Unit: mm

Model	ΦD	H	Model	ΦD	H
HT-D35-H50	Φ35.00	50	HT-D35-H110	Φ35.00	110
HT-D35-H60		60	HT-D35-H120		120
HT-D35-H70		70	HT-D35-H130		130
HT-D35-H80		80	HT-D35-H140		140
HT-D35-H90		90	HT-D35-H150		150
HT-D35-H100		100	HT-D35-H160		160

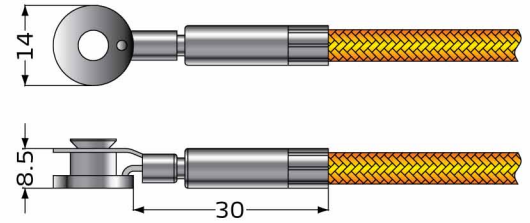
Unit: mm

Model	ΦD	H	Model	ΦD	H
HT-D45-H50	Φ45.00	50	HT-D45-H110	Φ45.00	110
HT-D45-H60		60	HT-D45-H120		120
HT-D45-H70		70	HT-D45-H130		130
HT-D45-H80		80	HT-D45-H140		140
HT-D45-H90		90	HT-D45-H150		150
HT-D45-H100		100	HT-D45-H160		160

Heating Pipe and Thermocouple 分流板發熱管與感溫線系列

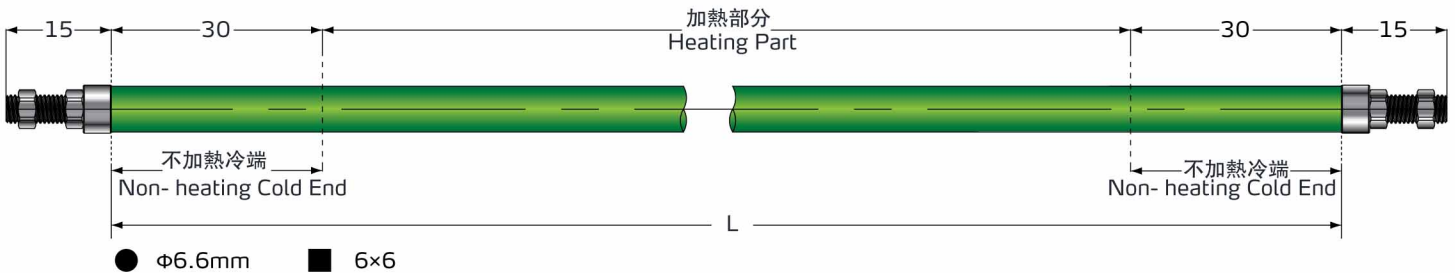


針式感溫線/Pin- type Thermocouple



分流板感溫線/Manifold Block Thermocouple

Model	ΦD	L	Model	ΦD	L
TCN-D1.0-L50	Φ1.0	50	TCN-D1.5-L50	Φ1.5	50
TCN-D1.0-L80		80	TCN-D1.5-L80		80
TCN-D1.0-L100		100	TCN-D1.5-L100		100
TCN-D1.0-L150		150	TCN-D1.5-L150		150
TCN-D1.0-L200		200	TCN-D1.5-L200		200
TCN-D1.0-L250		250	TCN-D1.5-L250		250

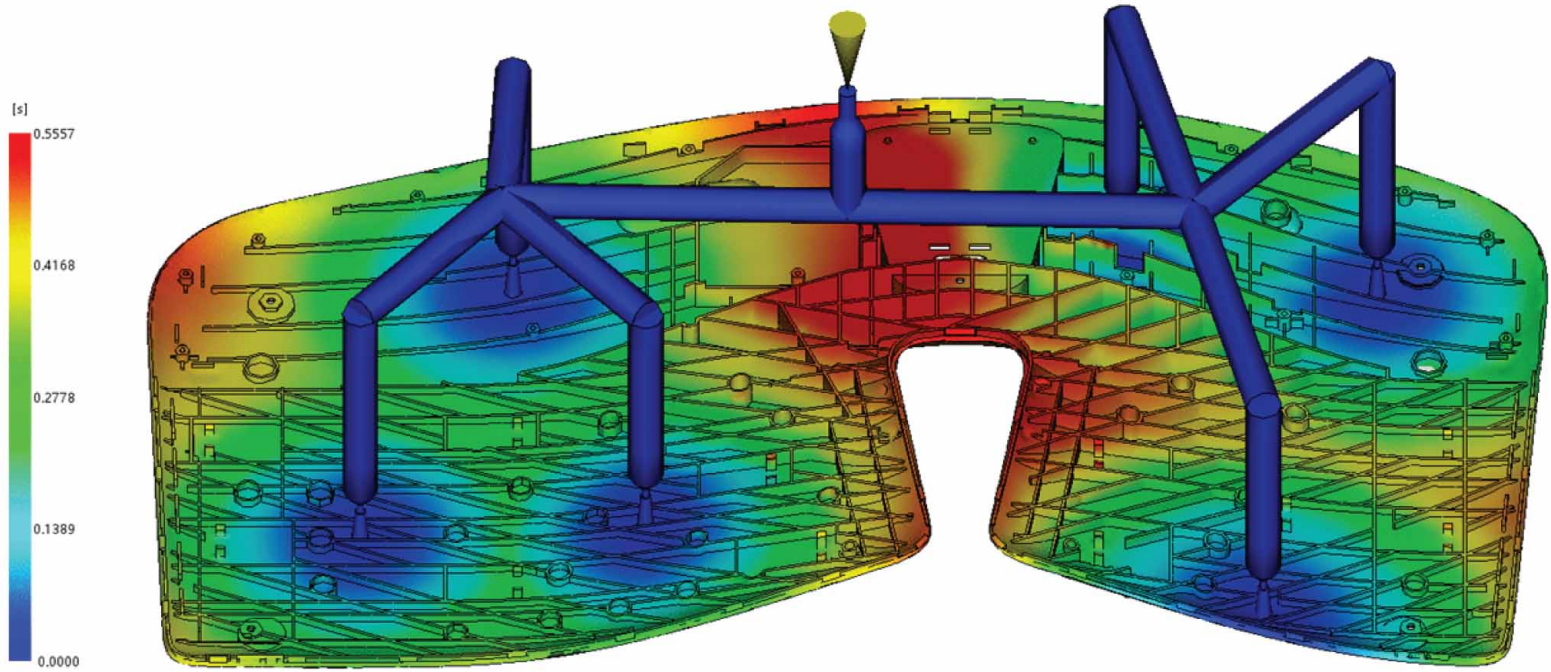


發熱管規格 Specification of Heating Pipe

L	Cold End (MM)	加熱長度(MM) Heating Length	功率(標準) Power	L	Cold End (MM)	加熱長度(MM) Heating Length	功率(標準) Power
300 MM	兩端冷端長度各30 Length of cold end on both ends is 30	240	600 W	650 MM	兩端冷端長度各30 Length of cold end on both ends is 30	590	1200 W
325 MM		265	600 W	675 MM		615	1200 W
350 MM		290	700 W	700 MM		640	1300 W
375 MM		315	700 W	725 MM		665	1300 W
400 MM		340	750 W	750 MM		690	1350 W
425 MM		365	750 W	775 MM		715	1350 W
450 MM		390	800 W	800 MM		740	1450 W
475 MM		415	800 W	825 MM		765	1450 W
500 MM		440	900 W	850 MM		790	1550 W
525 MM		465	900 W	875 MM		815	1550 W
550 MM		490	1000 W	900 MM		840	1600 W
575 MM		515	1000 W	925 MM		865	1600 W
600 MM		540	1100 W	950 MM		890	1700 W
625 MM		565	1100 W	975 MM		915	1700 W

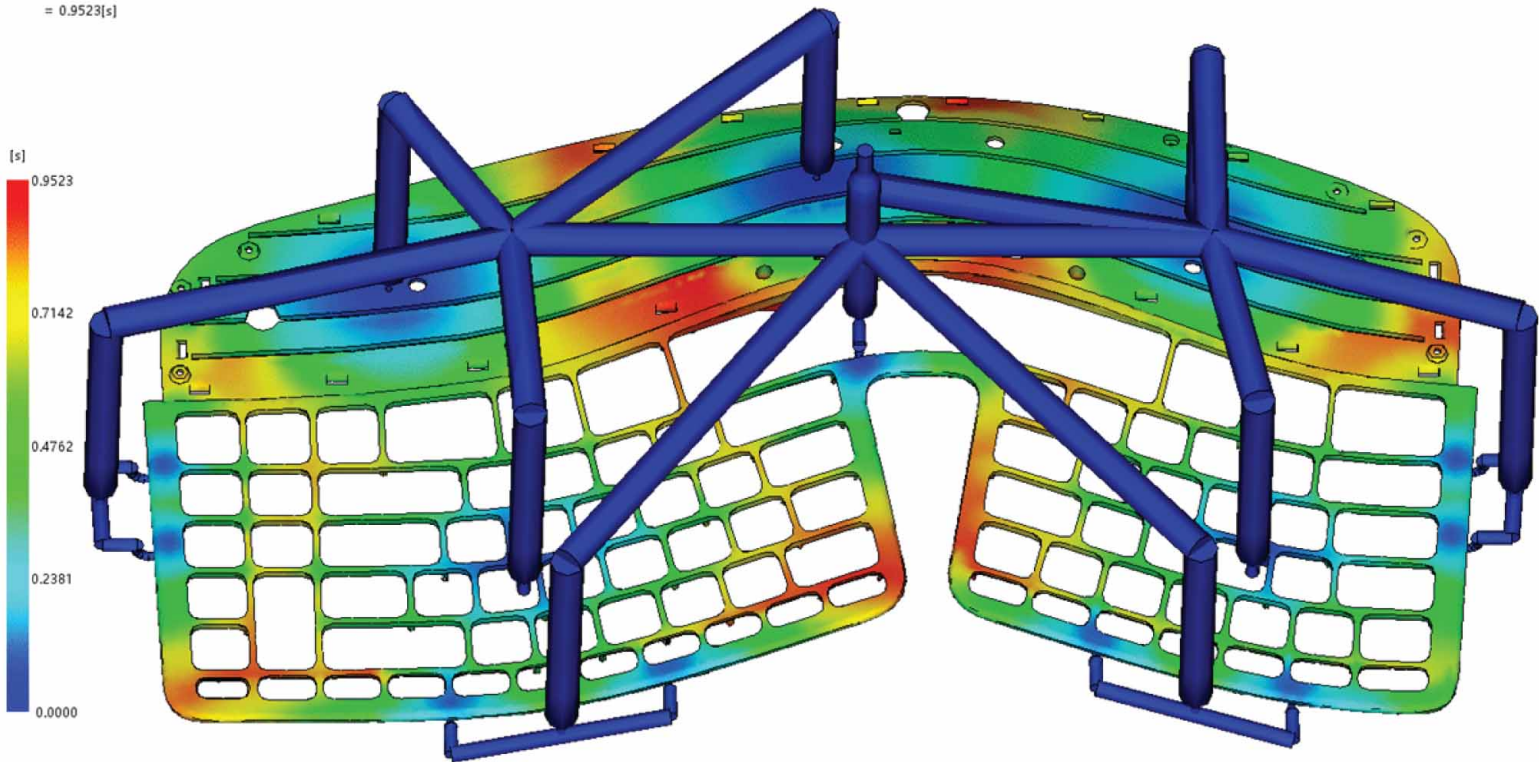
Mold flow analysis 模流分析案例圖

充填时间
= 0.5557[s]



模流分析一出六針閥式進膠; 產品名稱: 鍵盤下殼; 產品材質: PA
Mold flow analysis One-to-six pin valve gating; Product name: bottom shell of the keyboard; Material: PA.

充填时间
= 0.9523[s]



模流分析一出十針閥式進膠; 產品名稱: 鍵盤上殼; 產品材質: PC+ABS
Mold flow analysis One-to-ten pin valve gating; Product name: bottom shell of the keyboard; Material: PC+ABS.



注射器 1
Injector 1



醫療過濾器
Medical filter



醫療調節輪
Medical regulating wheel



注射器 2
Injector 2



醫療產品
Medical products



噴霧泵
Spray pump



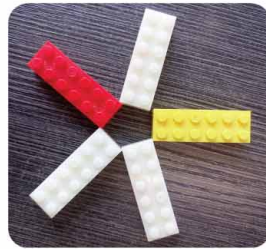
慕絲蓋
Mousse cover



充電插頭蓋
Cover of charging plug



齒輪
Gear



積木
Building block



燈罩
Lampshade



採血管
Blood-collection tube



工業連接器插頭
Industrial connector



筆蓋、筆身
Pen cap, pen body



LED



連接器
Connector



耐磨片
Wear plate



耳機塞
Earphone jack



打火機零件
Components of lighter



圓珠筆芯帽
Refill cap of ballpoint pen



東莞信舟熱流道系統有限公司

Shinzo Hot Runner Systems, Inc

Tel: 0769-81115788

Fax: 0769-81115755

地址: 廣東省東莞市大朗鎮金朗南路160號

160Jinlang South Rd, Dalang, Dongguan

信舟熱流道系統報價

Shinzo Hot Runner System Quotation

客戶模號: Pattern Number of Customers:		日期: Date:	
公司名稱: Company Name:		聯系人: Contact:	
公司地址: Company Address:			
電話: Tel:	傳真: Fax:	郵箱: E-mail:	
材料/Material: <input type="checkbox"/> 玻纖/Glass Fiber _____ % <input type="checkbox"/> 防火料/Frame Retardant _____ <input type="checkbox"/> 其它/Others _____	<input type="checkbox"/> PP <input type="checkbox"/> PE <input type="checkbox"/> PS <input type="checkbox"/> SB <input type="checkbox"/> ABS <input type="checkbox"/> POM <input type="checkbox"/> SAN <input type="checkbox"/> PA6 <input type="checkbox"/> PMMA <input type="checkbox"/> ASA <input type="checkbox"/> CAB <input type="checkbox"/> PBT <input type="checkbox"/> PA66 <input type="checkbox"/> PC/ABS <input type="checkbox"/> PPS <input type="checkbox"/> PET <input type="checkbox"/> PES <input type="checkbox"/> PPO <input type="checkbox"/> PSU <input type="checkbox"/> PEEK <input type="checkbox"/> LCP <input type="checkbox"/> PEI <input type="checkbox"/> PVC		
產品單重: Piece Weight of Product:		產品大小(長×寬×高): Size of Product(L*W*H):	
單個產品澆口數量: Number of Gate in one product:		壁厚: Wall Thickness:	模腔數量:
澆口類型: <input type="checkbox"/> 大水口 Gate Type: Edge Gate		<input type="checkbox"/> 點澆口 Pin-point Gate	<input type="checkbox"/> 針閥咀 Pin-valve Nozzle
顏色: <input type="checkbox"/> 透明 Color: Transparency	是否換色: <input type="checkbox"/> 是 <input type="checkbox"/> 否 Color Change: Yes No		
是否需要溫控箱: <input type="checkbox"/> 是 <input type="checkbox"/> 否 Temperature Control Box: Yes No	進料咀: R= Feed Nozzle:		
模具溫度: Temperature of Mold:		生產溫度: Production Temperature:	

特殊要求備注: Note:	草圖: Draft:
------------------	---------------

您提供的信息越詳細, 我們報價技術方案更精準

The more detailed information you provide for us, the more accurate quotation scheme we offer

東莞信舟熱流道系統有限公司

地址: 東莞市大朗鎮水口村金朗南路160號

電話: +86(0)769 8111 5788

傳真: +86(0)769 8111 5755

Email: shini@shini.com

Shinzo Hot Runner Systems, Inc

Addr: 160Jinlang South Rd, Dalang, Dongguang

Tel: +86(0)769 8111 5788

Fax: +86(0)769 8111 5755

Email: shini@shini.com

2024-10-15-04 版權所有 翻版必究

www.shini.com