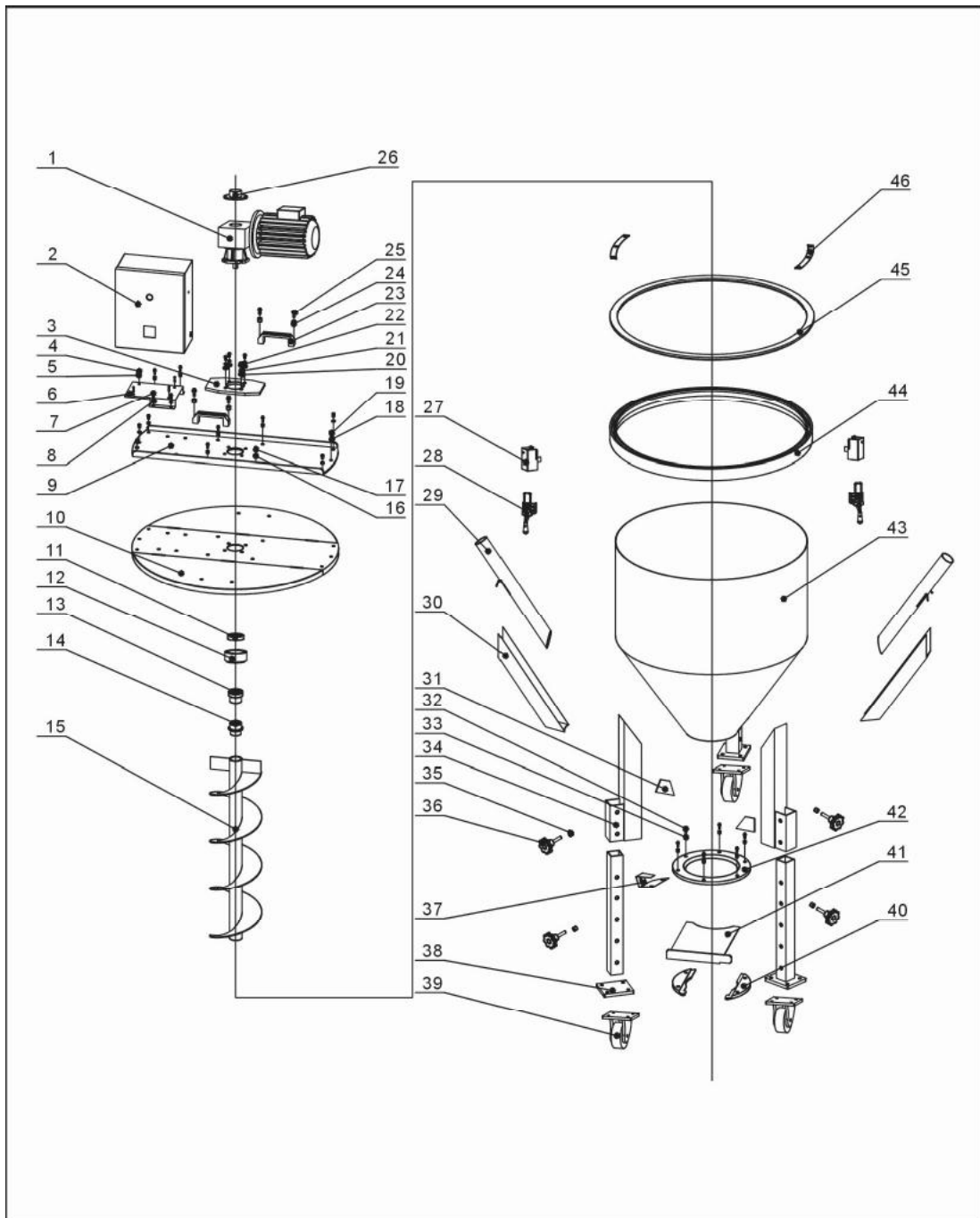


2.2 Drawing and Parts List

2.2.1 Assembly Drawing (SVM-80U)



Remarks: Please refer to material list 2.2.2 for specific explanation of the Arabic numbers in parts drawing.

Picture 2-3: Assembly Drawing (SVM-80U)

2.2.2 Parts List (SVM-80U)

Table 2-1: Parts List (SVM-80U)

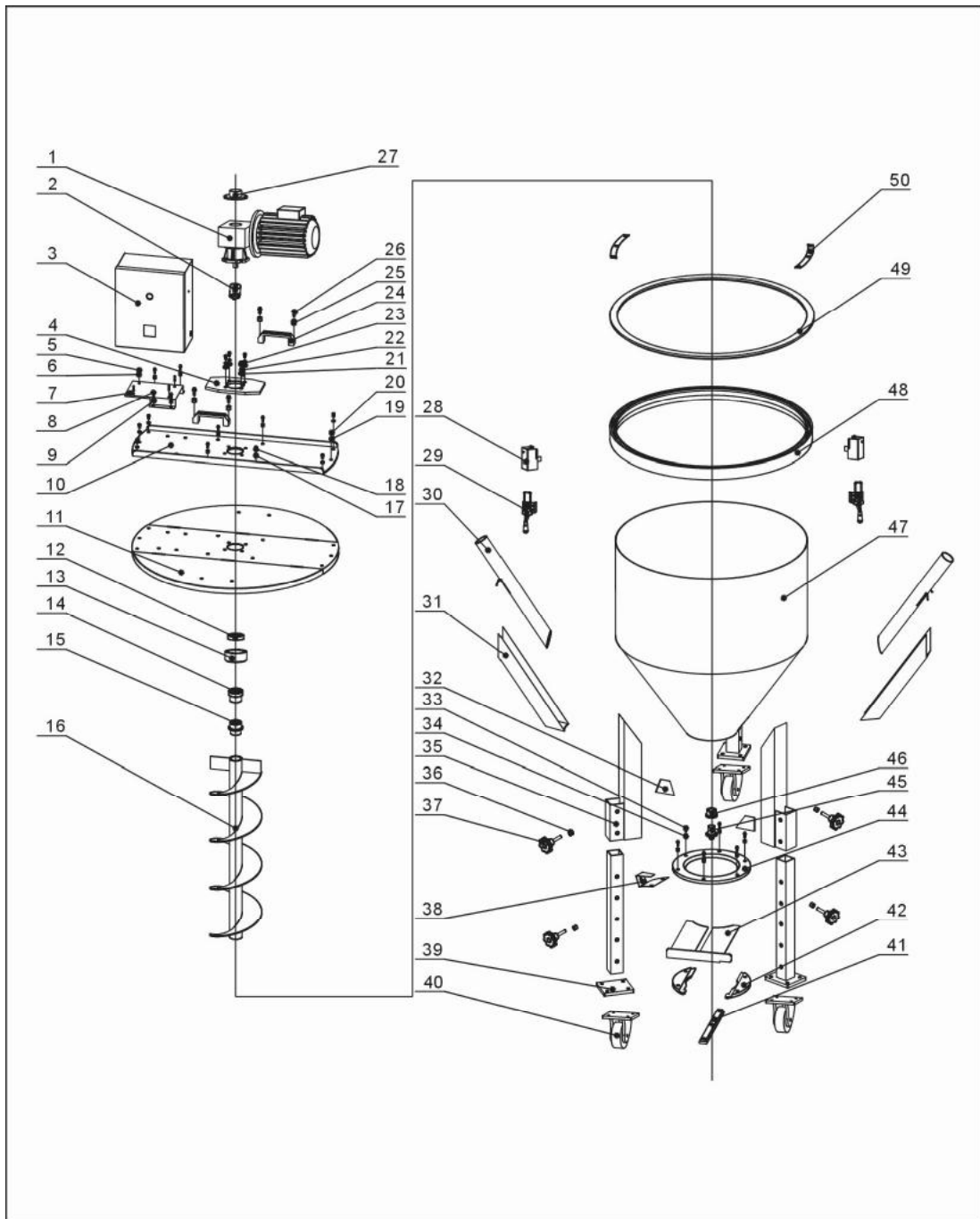
No.	Name	Part No.	No.	Name	Part No.
1	Gear motor	YM50406200000	24	Hexagonal socket cap screw M8	YW64080600000
2	Electrical control box	BL31804000120	25	Inner hexagonal screw column M8×15	YW61081600000
3	Installation board of motor	BL41800002020	26	Motor cover board	BH46800002021
4	Cross socket head cap screw M6×10	YW61061000000	27	Magnetic proximity switch fixation base	BL34830040220
5	Hexagonal socket cap screw	YW64000600200	28	Knob	YW00251000000
6	Control box fixation plate	BL34830041120	29	Suction pipe	BS20800000020
7	Inner hexagonal screw column M8×20	YW61082500000	30	U-type pipe	BS20800000120-
8	Hexagonal socket cap screw M8	YW64080600000	31	Strengthening block	BL06800000520
9	Lid press plate	BL34008041520	32	Inner hexagonal screw column M10×35	YW61103500000
10	Lid combination	BL34008041020	33	Hexagonal socket cap screw M10	YW64001000100
11	BearingHR 32009×J3CC	YW11320900000	34	Castor combination	BL06800000320
12	Bearing block	BL12160000040	35	Hexagonal socket cap screw M12	YW64012100000
13	Shaft coupler up	BH11800400410	36	Star knob assembly M12	YW09001200500
14	Shaft coupler down	BH11800505010	37	Microswitch fixation base	BL40800000120
15	Mixing components	BH11800000040	38	Wheel fixture	BL33800011021
16	Hexagonal socket cap screw M8	YW64080600000	39	Castor	YW03000300000
17	Inner hexagonal screw column M8×15	YW61081600000	40	Gate disc fixation plate	BL10800000120-
18	Flat gasket 8	YW66081600000	41	Gate disc	BL10800000020
19	Inner hexagonal screw column M8×50	YW61085000000	42	Discharging port	BH46800002120
20	Flat gasket 8	YW66081600000	43	Barrel	BL33800000020
21	Spring gasket 8	YW65008000100	44	Aluminum base ring	BH13008001810
22	Inner hexagonal screw column M8×50	YW61085000000	45	Barrel cover rubber ring	YR10005000300
23	Square aluminum handle	BW20012000140	46	Barrel cover gasket	BL34008041320

* means possible broken parts.

** means easy broken part. and spare backup is suggested.

Please confirm the version of manual before placing the purchase order to guarantee that the item number of the spare part is in accordance with the real object.

2.2.3 Assembly Drawing (SVM-160U)



Remarks: Please refer to material list 2.2.4 for specific explanation of the Arabic numbers in parts drawing.

Picture 2-3: Assembly Drawing (SVM-160U)

2.2.4 Parts List (SVM-160U)

Table 2-2: Parts List (SVM-160U)

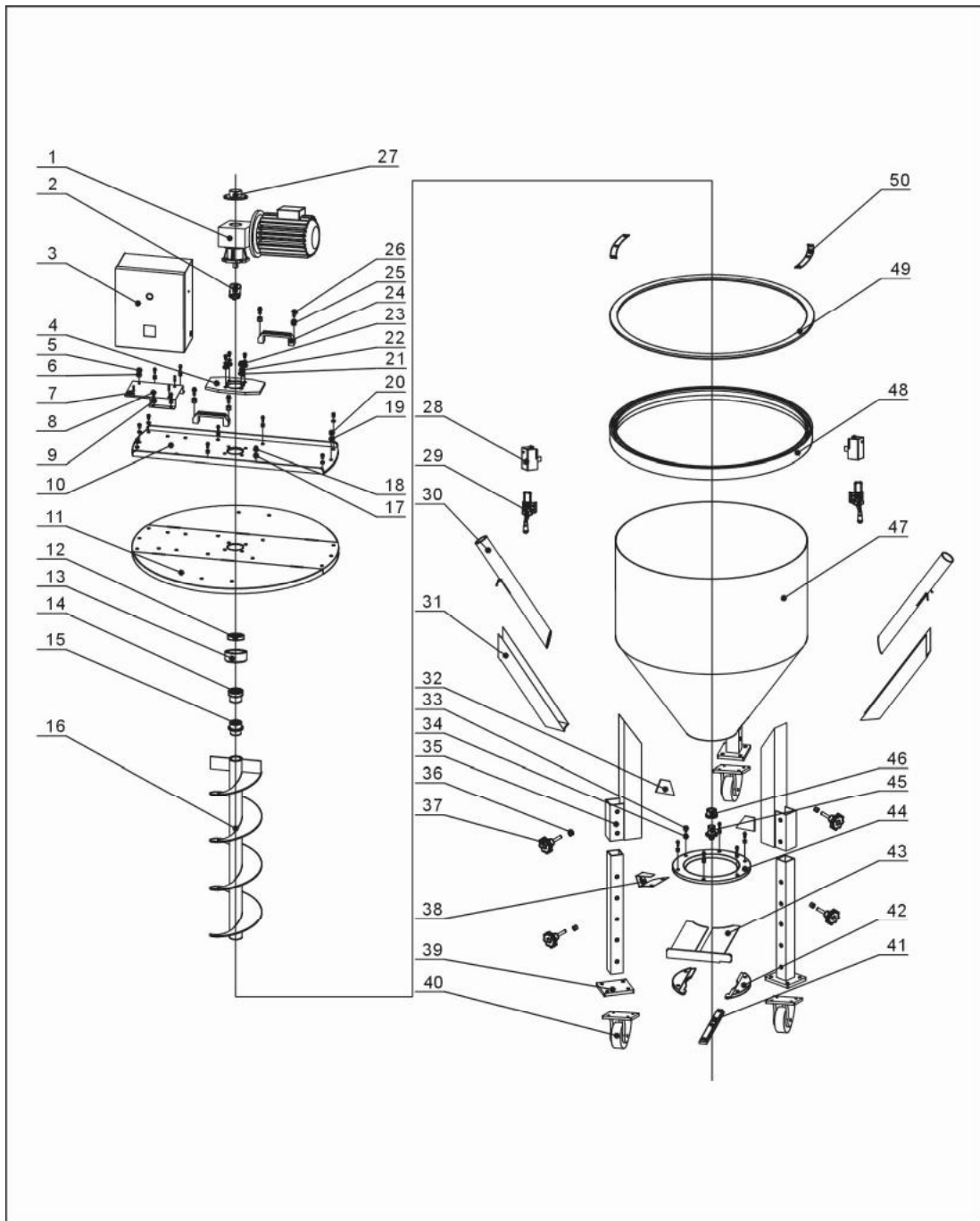
No.	Name	Part No.	No.	Name	Part No.
1	Gear motor	YM50500600000	25	Hexagonal socket cap screw M8	YW64080600000
2	Shaft coupler	BH10160100110	26	Inner hexagonal screw column M8×15	YW61081600000
3	Electrical control box	BL31804000120	27	Motor cover board	BH46160002021
4	Installation board of motor	BL41160002020	28	Magnetic proximity switch fixation base	BL34830040220
5	Cross socket head cap screw M6×10	YW61061000000	29	Knob	YW00251000000
6	Hexagonal socket cap screw	YW64000600200	30	Suction pipe	BS20150000020
7	Control box fixation plate	BL44160004020	31	U-type pipe	BS20150000120
8	Inner hexagonal screw column M8×20	YW61082500000	32	Strengthening block	BL06160000520
9	Hexagonal socket cap screw M8	YW64080600000	33	Inner hexagonal screw column M10×35	YW61103500000
10	Lid press plate	BH46160004120	34	Hexagonal socket cap screw M10	YW64001000100
11	Lid combination	BH46160005120	35	Castor combination	BL06160000320
12	BearingHR 32009×J3CC	YW11320900000	36	Hexagonal socket cap screw M12	YW64012100000
13	Bearing block	BL12160000040	37	Star knob assembly M12	YW09001200500
14	Shaft coupler up	BH11160012711	38	Microswitch fixation base	BL40800000120
15	Shaft coupler down	BH10016002710	39	Wheel fixture	BL06160000220
16	Mixing components	BH11160700740	40	Castor	YW03000300000
17	Hexagonal socket cap screw M8	YW64080600000	41	Shaft positioning bar	BL34016041520
18	Inner hexagonal screw column M8×15	YW61081600000	42	Gate disc fixation plate	BL50160600120
19	Flat gasket 8	YW66081600000	43	Gate disc	BL50161000020
20	Inner hexagonal screw column M8×50	YW61085000000	44	Discharging port	BH46160002120
21	Flat gasket 8	YW66081600000	45	Hinge pin	BL10160000120-
22	Spring gasket 8	YW65008000100	46	Shaft sleeve	BL12160000221
23	Inner hexagonal screw column M8×50	YW61085000000	47	Barrel	BH46160006120
24	Square aluminum handle	BW20012000140	48	Aluminum base ring	BH13016002210

* means possible broken parts.

** means easy broken part. and spare backup is suggested.

Please confirm the version of manual before placing the purchase order to guarantee that the item number of the spare part is in accordance with the real object.

2.2.5 Assembly Drawing (SVM-300U)



Remarks: Please refer to material list 2.2.6 for specific explanation of the Arabic numbers in parts drawing.

Picture 2-3: Assembly Drawing (SVM-300U)

2.2.6 Parts List (SVM-300U)

Table 2-3: Parts List (SVM-300U)

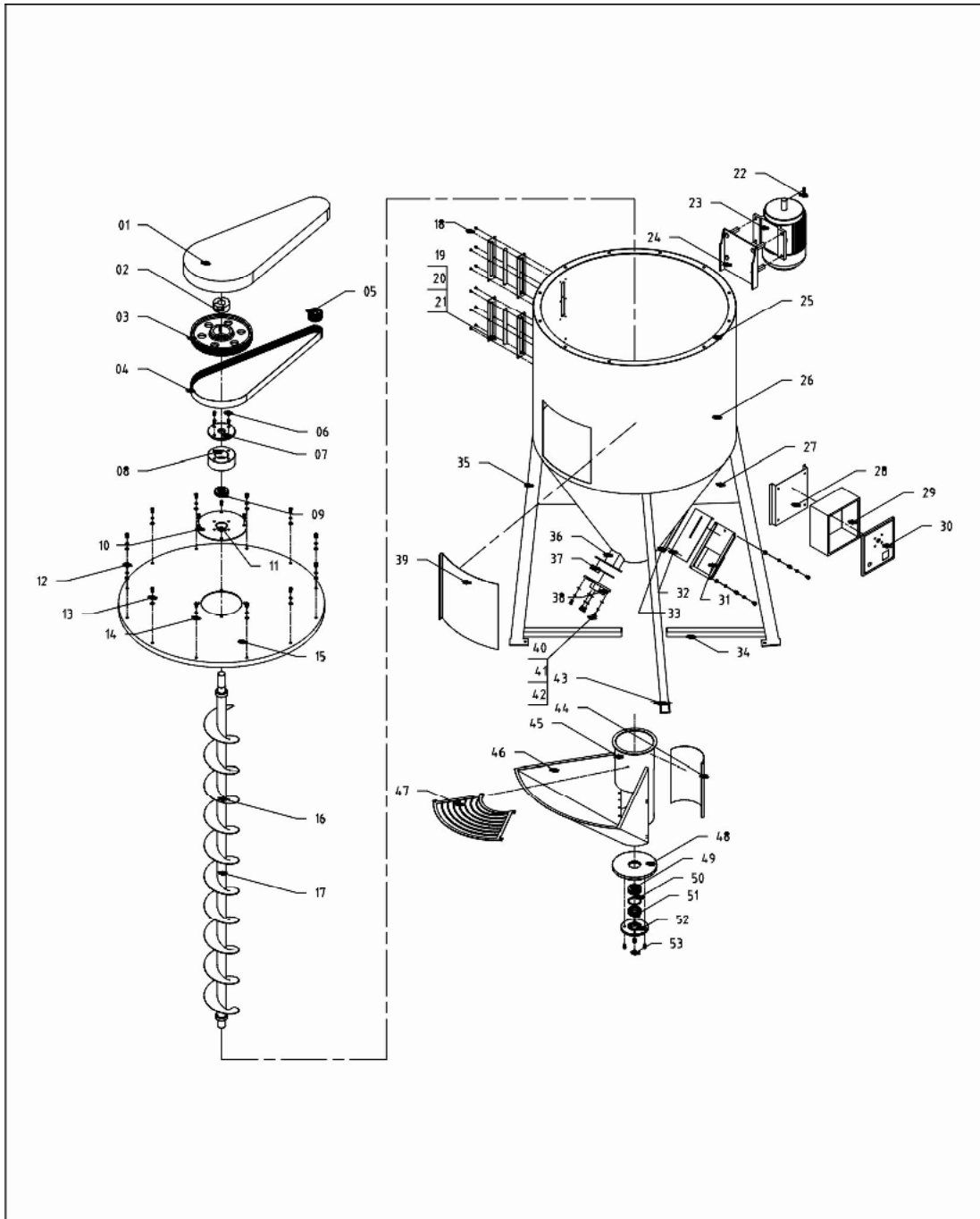
No.	Name	Part No.	No.	Name	Part No.
1	Gear motor	YM50637500000	25	Hexagonal socket cap screw M8	YW64080600000
2	Shaft coupler	BH11300100110 BH11300001910	26	Inner hexagonal screw column M8×15	YW61081600000
3	Electrical control box	BL31804000120	27	Motor cover board	BH91300000021
4	Installation board of motor	BH91300000121	28	Magnetic proximity switch fixation base	BL34830040220
5	Cross socket head cap screw M6×10	YW61061000000	29	Knob	YW00251000000
6	Hexagonal socket cap screw	YW64000600200	30	Suction pipe	BS20151000020
7	Control box fixation plate	BL44160004020	31	U-type pipe	BL20300000020
8	Inner hexagonal screw column M8×20	YW61082500000	32	Strengthening block	BH91300000620
9	Hexagonal socket cap screw M8	YW64080600000	33	Inner hexagonal screw column M10×35	YW61103500000
10	Lid press plate	BH46300000120	34	Hexagonal socket cap screw M10	YW64001000100
11	Lid combination	BH46300000220	35	Castor combination	BH91300000420
12	Bearing HR 32009×J3CC	YW11320900000	36	Hexagonal socket cap screw M12	YW64012100000
13	Bearing block	BL12160000040	37	Star knob assembly M12	YW09001200500
14	Shaft coupler up	BH11300500510	38	Microswitch fixation base	BL40800000120
15	Shaft coupler down	BH11300600610	39	Wheel fixture	-
16	Mixing components	BH11300000740	40	Castor	YW03000301000
17	Hexagonal socket cap screw M8	YW64080600000	41	Shaft positioning bar	BL34030041620
18	Inner hexagonal screw column M8×15	YW61081600000	42	Gate disc fixation plate	-
19	Flat gasket 8	YW66081600000	43	Gate disc	-
20	Inner hexagonal screw column M8×50	YW61085000000	44	Discharging port	-
21	Flat gasket 8	YW66081600000	45	Hinge pin	BL10300000120
22	Spring gasket 8	YW65008000100	46	Shaft sleeve	BL12300000221
23	Inner hexagonal screw column M8×50	YW61085000000	47	Barrel	BL34030040120
24	Square aluminum handle	BW20012000140	48	Aluminum base ring	BH13300001610

* means possible broken parts.

** means easy broken part. and spare backup is suggested.

Please confirm the version of manual before placing the purchase order to guarantee that the item number of the spare part is in accordance with the real object.

2.2.7 Assembly Drawing (SVM-750U)



Remarks: Please refer to material list 2.2.8 for specific explanation of the Arabic numbers in parts drawing.

Picture 2-3: Assembly Drawing (SVM-750U)

2.2.8 Parts List (SVM-750U)

Table 2-4: Parts List (SVM-750U)

No.	Name	Part No.	No.	Name	Part No.
1	Protective cover	BL34075035320	28	Control box fixation plate	BL34075030620
2	Lock device for pulley	YW30122800000	29	Electrical control box	BL34075034820
3	Big belt pulley	BW30001600110	30	Electrical control box cover	BL34075035020
4	Poly V-belt 20PJ2000	YR00162000000	31	Big discharge port	BL34075031220
5	Small belt pulley	YW30207800000	32	big shut-off plate	BL34075033120
6	Inner hexagonal screw column M8×25	YW61082500100	33	Big Discharge port	BL34075031220
7	Upper bearing cover	BH11075000210	34	Beam	BL34075032520
8	Upper bearing block	BH11075000310	35	Supporting frame	BL44075000020
9	Self-aligning ball bearing	YW11230800000	36	Small discharge port	BL34075031420
10	Transitional flange	BH10750000121	37	Small shut-off plate	BL34075033520
11	Inner hexagonal screw column M8×20	YW61082000000	38	Small discharge port	BL34075033220
12	Inner hexagonal screw column M10×15	YW61101500000	39	Upper clearance door	BL34075030820
13	Flat gasket 10	YW66102000000	40	Inner hexagonal screw column M6×20	YW61062000200
14	Spring gasket 10	YW65010000000	41	Flat gasket 6	YW66061300000
15	Lid	BH12075000020	42	Spring gasket 6	YW65006000100
16	Screw blade	BL34075000620	43	Welded block	BL34750000121
17	Mixer shaft	BH10075000610	44	Lower clearance door	BL34075031920
18	Cross socket head cap screw M5×10	YW61051000200	45	Feed opening	-
19	6-holes window seal ring	YR40001200000	46	Feed opening	BL10750000000
20	Acryl	YW65010000000	47	Punched plate retainer	BL54075000000
21	Lron sheet of 6-hole sight glass	YW09000600000	48	Lower bearing block	BH11075002010
22	Flat key	-	49	Single direction thrust ball bearing 51208	YW11512000000
23	Motor	YM10220600000	50	Bearing gasket	BH10750000021
24	Installation board of motor	BL41750002020	51	Deep groove ball bearing 6008	YW11600800000
25	Lid ring of barrel	BL34075031520	52	Lower bearing cover	BH11075001910
26	Barrel	BL34075030020	53	Inner hexagonal screw column M8×25	YW61082500100
27	Strengthening rib	BL34075034120			

* means possible broken parts.

** means easy broken part. and spare backup is suggested.

Please confirm the version of manual before placing the purchase order to guarantee that the item number of the spare part is in accordance with the real object.