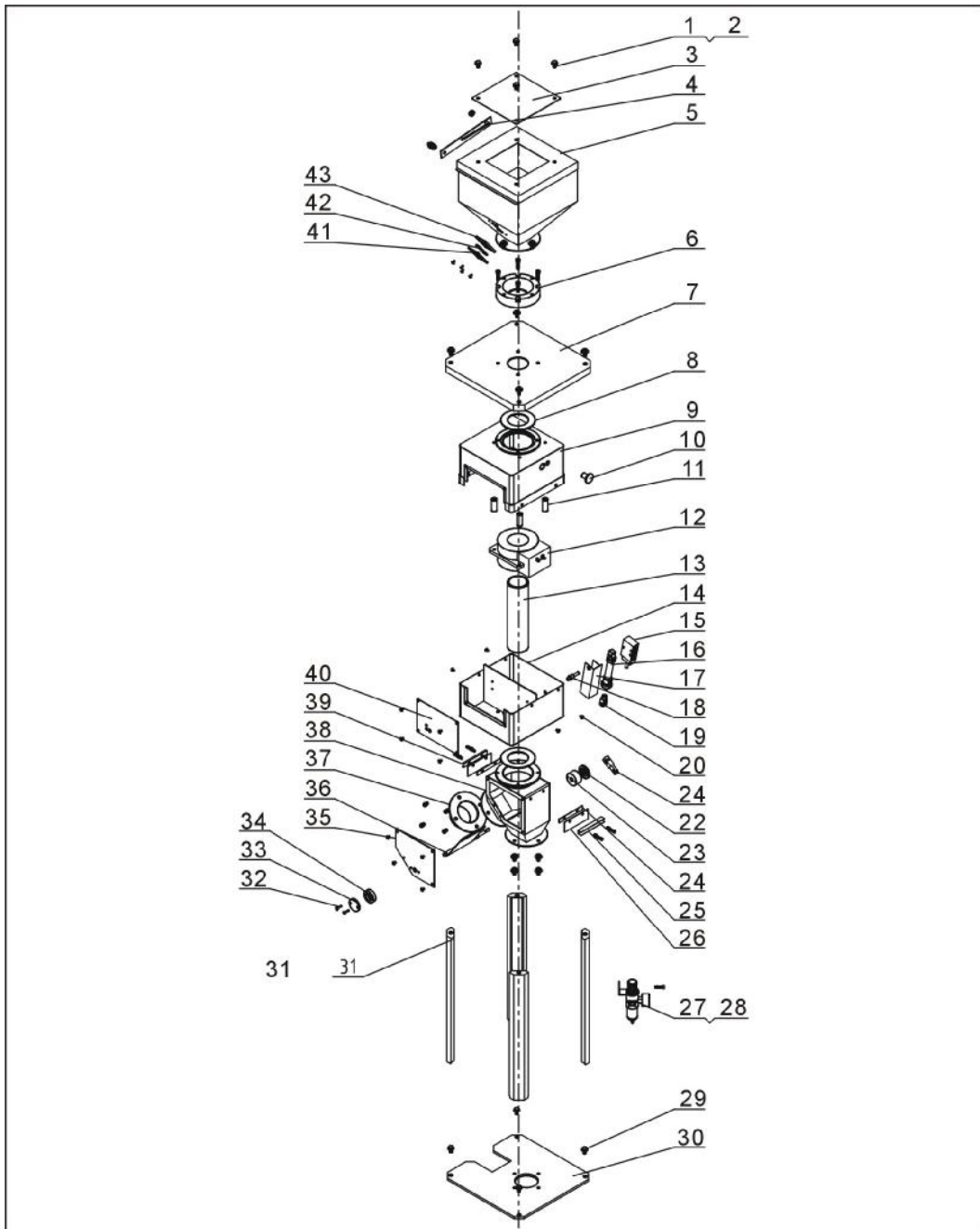


## 2.2 Drawing and Parts List

### 2.2.1 Assembly Drawing



Remarks: Please refer to material list 2.2.2 for specific explanation of the Arabic numbers in parts drawing.

Picture 2-3: Assembly Drawing

## 2.2.2 Parts List

Table 2-1: Parts List

No.	Name	Part No.		
		SMS-35	SMS-50	SMS-70
1	Hex screw M8×16	YW60081600100	YW60081600100	YW60081600100
2	Flat gasket 8	YW66081900000	YW66081900000	YW66081900000
3	Hopper lid plate cover	BW09202000000	BW09202000000	BW09202000000
4	Hopper connection plate	-	-	-
5	Store hopper welding figure	-	-	-
6	Feed opening flange	-	-	-
7	Top plate	-	-	-
8	Material outlet tube lid	-	-	-
9	Cover body welding figure	-	-	-
10	Plastic choke plug M5×1.5	-	-	-
11	Detector fitment	-	-	-
12	Metal survey meter	-	-	-
13	Material outlet pipe	-	-	-
14	Cover the body welding figure	-	-	-
15	Solenoid valve	YE32421000100	YE32421000100	YE32421000100
16	Festocylinder	YE31205000000	YE31205000000	YE31205000000
17	Cylinder installation board	-	-	-
18	Cylinder location pin	-	-	-
19	FESTO Y type pin rod	YE31000800000	YE31000800000	YE31000800000
20	Flat head screw M5×10	YW62051000100	YW62051000100	YW62051000100
21	Cylinder components	-	-	-
22	Bearing block cover A	-	-	-
23	Bearing block A	-	-	-
24	Block solid piece of skin 2	-	-	-
25	Block solid piece of skin 3	-	-	-
26	Material keeping leather	-	-	-
27	Filter & pressure regulating valve	YE30200020000	YE30200020000	YE30200020000
28	Honeycomb mounting bracket	YE30004200000	YE30004200000	YE30004200000
29	Hex screw M8×10	YW60081000100	YW60081000100	YW60081000100
30	Base	-	-	-
31	Standing post	-	-	-

No.	Name	Part No.		
		SMS-35	SMS-50	SMS-70
32	Flat head screw M5×20	YW62052000000	YW62052000000	YW62052000000
33	Bearing block cover B	-	-	-
34	Bearing block B	-	-	-
35	Under body components 4	-	-	-
36	Block material components	-	-	-
37	Material outlet	-	-	-
38	Nakedness welding figure	-	-	-
39	Block solid piece of skin 1	-	-	-
40	Panel	-	-	-
41	Stringency four holes of material Observation window	YW09000400000	YW09000400000	YW09000400000
42	Acryl four holes	YR40001200100	YR40001200100	YR40001200100
43	Stringency four holes of material Observation window	YR40000400000	YR40000400000	YR40000400000

\* means possible broken parts.

\*\* means easy broken part. and spare backup is suggested.

Please confirm the version of manual before placing the purchase order to guarantee that the item number of the spare part is in accordance with the real object.