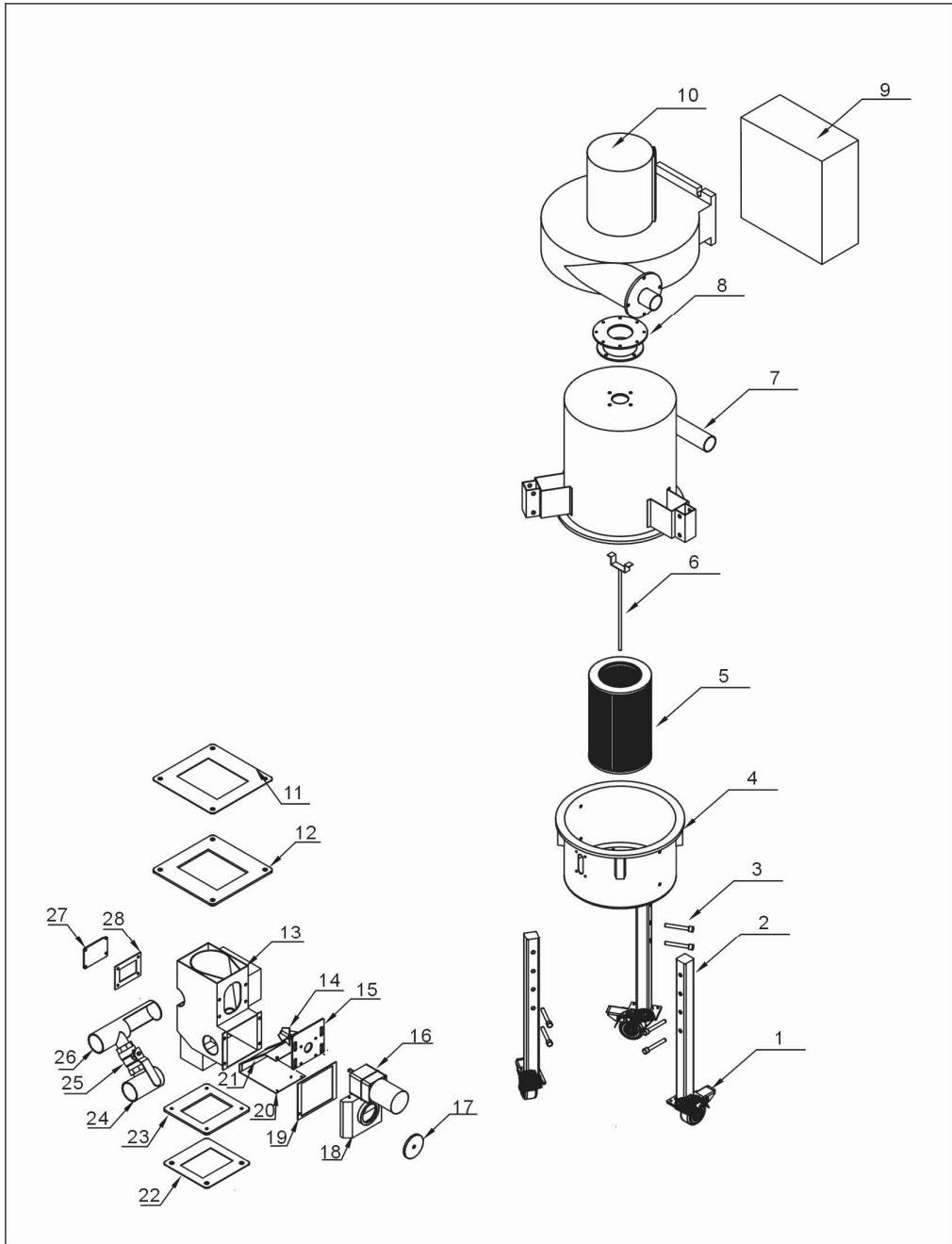


2.2 Drawing and Parts List

2.2.1 SDS-100/250 Assembly Drawing



Remarks: Please refer to material List 2.2.2 for specific explanation of the Arabic numbers in parts drawing.

Picture 2-3: SDS-100/250 Assembly Drawing

2.2.2 SDS-100/250 Parts List

Table 2-1: Parts List (SDS-100/250)

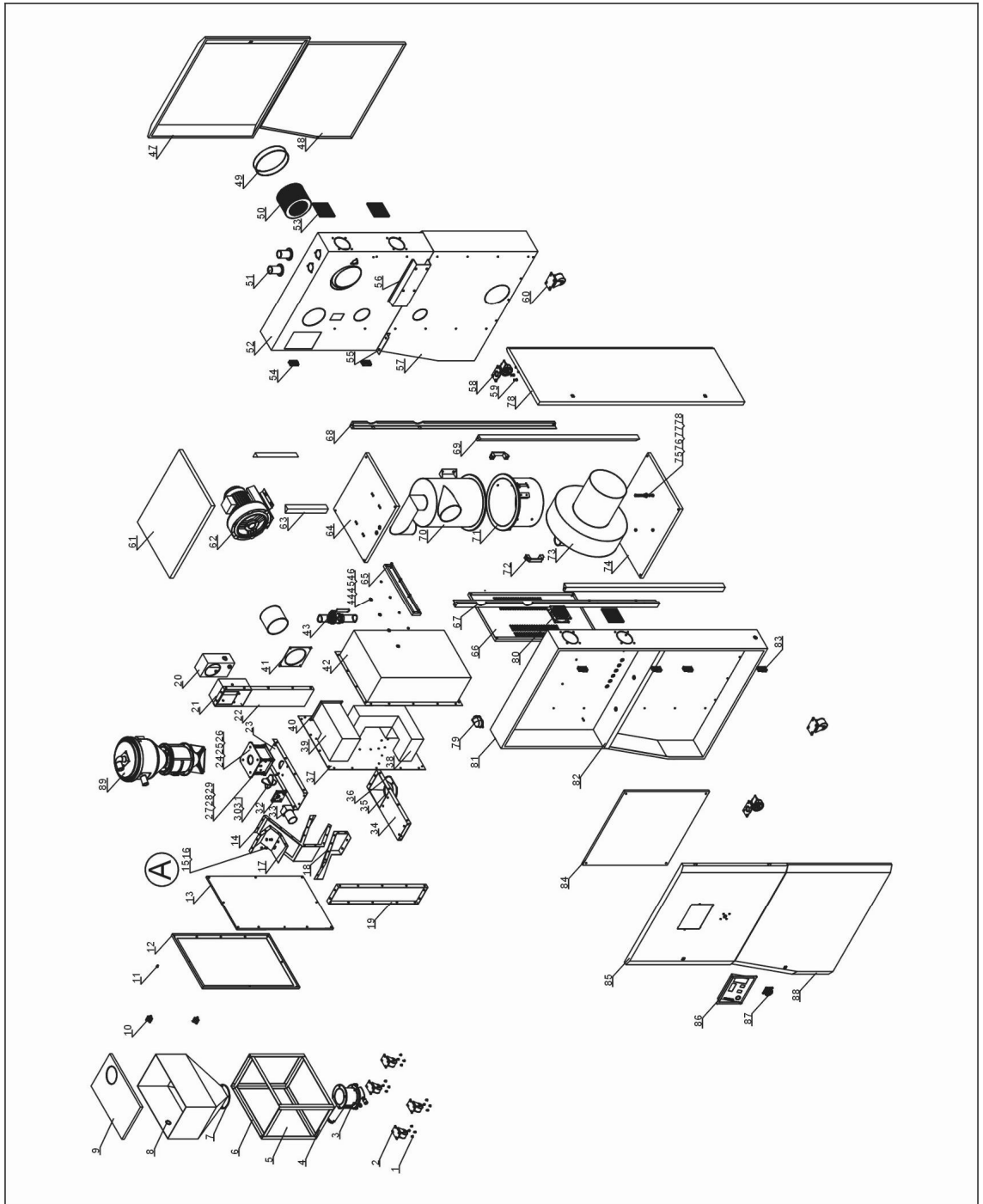
No.	Name	Part No.	
		SDS-100	SDS-250
1	3" black castor (brakes)	YW03000300200	YW03000300200
		YW03000300000	YW03000300000
2	Floor stand	BL35100000421	BL35100000421
3	Pin	-	-
4	Dust collecting bin	BL35100000321	BL35100000321
5	ADC2 air filter**	YR50181100000	YR50181100000
6	Air filter pole	-	-
7	Cyclone	-	-
8	Transit flange	BL35100000521	BL35250000421
9	Control box	BL35100001120	BL35100001120
10	0.55kW blower*	YM30055000000	YM30055000000
11	Material inlet flange	YR10010000200	YR10010000200
12	Hopper flange	BL35100500120	BL35250001620
13	Main body	BL35100000021	BL35250000021
14	Mixing fan**	BL35101000020	BL35101000020
15	Motor mounting plate	BL35100700020	BL35250001720
16	Gear motor	YM10600600000	YM10600600000
17	Pressure release gate cap	-	-
18	Pressure release gate	BL35100900620	BL35250000221
19	Pressure release gate seal	-	-
20	Punched plate retainer	-	-
21	Punched plate	-	-
22	Discharge seal	-	-
23	Discharge flange	BL35100500020	BL35250000020
24	2.5" air outlet pipe	BL35100000920	BL35250001320
25	2.5" ball valve	YW50015000000	YW50015000000
26	2.5" air inlet pipe	BL35100000920	BL35250001320
27	Material view window	YR40001200100	YR40001200100
28	View window mounting plate	YW09000000400	YW09000000400

* means possible broken parts.

** means easy broken part. and spare backup is suggested.

Please confirm the version of manual before placing the purchase order to guarantee that the item number of the spare part is in accordance with the real object.

2.2.3 SDS-500 Assembly Drawing



Remarks: Please refer to material List 2.2.4 for specific explanation of the Arabic numbers in parts drawing.

Picture 2-3: SDS-100/250 Assembly Drawing

2.2.4 SDS-500 Parts List

Table 2-2: Parts List (SDS-500)

No.	Name	Part No.	No.	Name	Part No.
1	M5×10 Cruciform screw	YW61051000200	33	Mixing motor	YM50616400000
2	2" Mobile truckle	YW03000200000	34	Bottom plate	BL35500001321
3	Suction box	BY10203801150	35	Discharge opening	BL35500000420
4	Foot rest	BL35500001920	36	Discharge opening flange	BL35500000320
5	Foot rest	-	37	Back board	BL35500001620
6	Foot rest	-	38	Air inlet pipe	BL35500001620
7	Storage hopper flange	BL35500000620	39	Air outlet pipe	BL35500000220
8	Storage basket	BL35500000021	40	Attachment flange B	BL35500002620
9	Storage basket cover board	BL35500000720	41	Attachment flange A	-
10	Manual-twisted screw	YW69461600000	42	Back cover board	BL35500000521
11	M6×10 Cruciform screw	YW60062000000	43	Ball valve	YW50015000000
12	Door frame	BL35500001121	44	M6×15 Socket screw	YW61615000000
13	Door frame	BL35500003520	45	6mm Spring cushion	YW65006000000
14	Air damper 1	BL35500004420	46	6×18 Plain cushion	YW66061800000
15	M6×15 External hex screw	YW60061500100	47	Top-right tank door	BL35500004120
16	6×12 plain cushion	YW66061200000	48	Bottom-right cover board	BL35500003720
17	Air damper 2	BL35500000121	49	Filter**	YR50181100000
18	Air damper 3	BL35500000221	50	Filter basket	BL35500000321
19	Left side board	BL35500004020	51	Wind pipe attachment flange	BL35500001120
20	Lon fan	YE15000100000	52	Top-right tank board	BL35500001521
21	Fan mounting plate	-	53	Dust screen	YR40120300000
22	Right side board	BL35500001421	54	Hinge CL203-1(right)	YW06203100200
23	Upper plate	-	55	De-dusting machine's mounting plate A	-
24	Feed opening flange B	BL35500002420	56	Filter basket's mounting plate	BL35500001320
25	Feed opening	BL35500002520	57	Bottom-right tank board	BL35500001621
26	Feed opening flange A	BL35500002320	58	4" Braking truckle	YW03000400000
27	M8×20 Socket screw	YW61082000000	59	M8×20 External hex screw	YW60082000200
28	8mm Spring cushion	YW65008000100	60	4" Mobile truckle	YW03000400200
29	8×19 plain cushion	YW66081900000	61	Deck plate	BL35500001020
30	Vertical curved blade**	BL35500002020	62	Feeding fan	BM30042000050
31	Blade shaft	-	63	Back top upright post	BL35500000621
32	Motor mounting plate	-	64	Intermediate clap board	-

No.	Name	Part No.	No.	Name	Part No.
65	Front top cover board	-	78	M10 Locknut	YW64101100000
66	Front bottom cover board	BL35500002920	79	Ventilator	YM60121200400
67	Front top upright post A	-	80	Alarming light	YE83305100200
68	Front top upright post B	-	81	Left tank board	BL35500004220
69	Back upright post	BL35500000821	82	Left tank clapboard	-
70	Filter basket	BL35500000321	83	Hinge CL203-1(right)	YW06203100400
71	Dust container	BL35500001021	84	Electrical appliance mounting plate	BL35500000920
72	Five-star handle	YR40083500000	85	Top left tank door	BL35500004120
73	De-dusting fan (2.2kW)	BM30224000050	86	Panel	YR40070000000
74	Motherboard	BL35500000820	87	Power switch*	YE10200300000
75	M10×45 External hex screw	YW61104500000	88	Bottom left tank door	
76	10mm Spring cushion	YW65010000000	89	SHR-12U-E	BY20012000650
77	10×25 Plain cushion	YW66102500000			

* means possible broken parts.

** means easy broken part. and spare backup is suggested.

Please confirm the version of manual before placing the purchase order to guarantee that the item number of the spare part is in accordance with the real object.