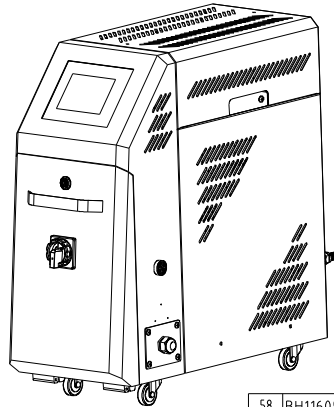
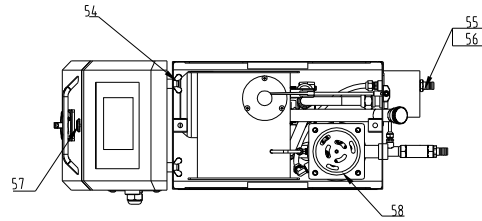
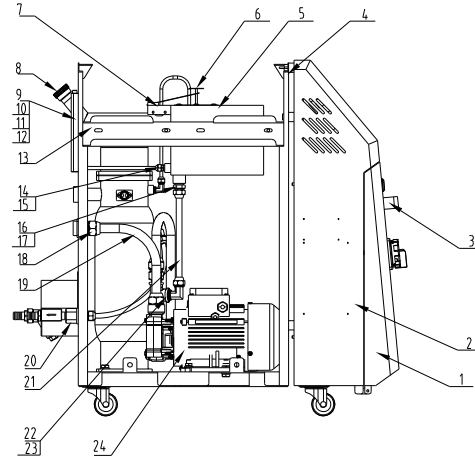
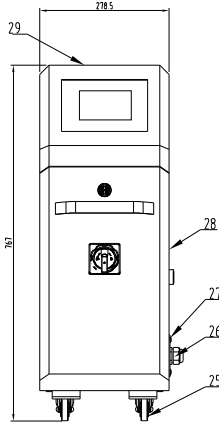
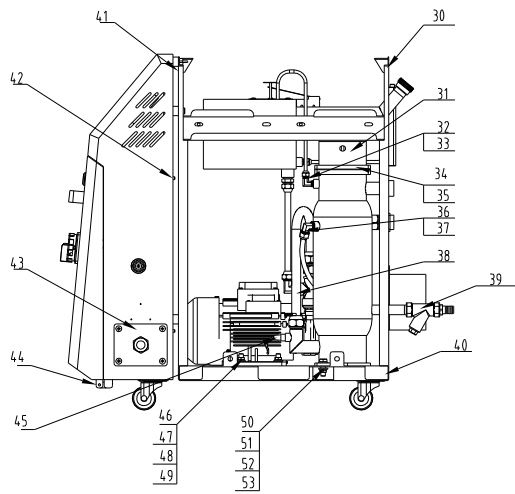


版号 VER.E

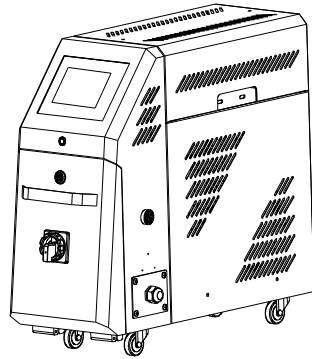
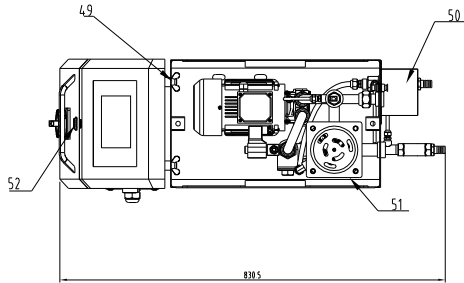
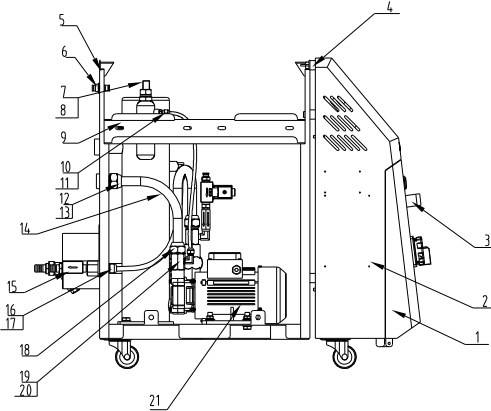
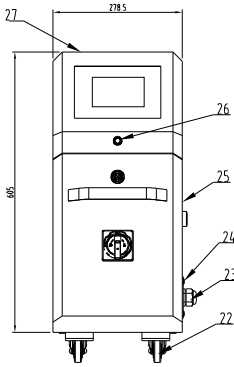
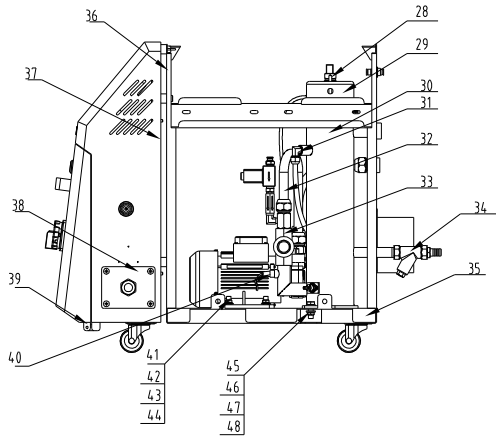


48	YW64080600000	Hexagon nut M8		4	
47	YW65008000100	Spring washer 8		4	
46	YW60083000200	Hex. bolt M8x30		4	
45	BE90100000150	Thermocouple	Assembly	1	
44	YW06219100000	Big hinge CL19-1		2	
43	SG-S-01	Wire fixture fixed plate	SPCC	1	Borrowed
42	STM-607EB-ALL-11	Electrical base plate	SECC	1	
41	STM-607EB-ALL-10	Baffle plate	SPCC	1	
40	STM-607EB-ALL-09	Bottom plate	SPCC	1	
39	YW57010200000	Y Type filtered water valve 1/2 PT Required copper content 57%		1	
38	STM-607EB-ALL-07	Oil Inlet Pipe		1	
37	BH12030801010	Copper trumpet nut 3/8"		2	
36	YW04030800600	Tonifon pipe connector 3/8In.3/8TL Type		1	
35	YR20121200000	Flexible graphite gasket 320x120x2.0		1	
34	STM-1215HT-B-03	Pipe heater assembly	Assembly	1	Borrowed
33	BH12010401010	1/4 Copper trumpet nut		1	
32	YW04010400400	Tonifon pipe connector L-type		1	
31	STM-607EB-B-ALL	Heating Tank	Assembly	1	
30	STM-607EB-ALL-08	Rear plate	SPCC	1	
29	STM-607EB-ALL-06	Cover plate	SPCC	1	
28	STM-1220EB-ALL-06	Side plate	SPCC	2	Borrowed
27	YW62061000000	Large cross socket flat head screw JIS1111 M6x10-Longzine	Longzine	30	
26	YE67002100000	Cable head PG21		1	
25	YW03000200000	Black castor 2"	Assembly	4	
24	BM20005500650	Water pump TP-55	Assembly	1	
23	YW52010200000	Stainless steel three-way 1/2(SUS304)		1	
22	BH12030401010	Copper trumpet connector(S-02-01)		2	
21	STM-607EB-ALL-05	Oil pipe	TP2	1	
20	BL40005400320	The third-set accessory of the copper connector S-14-0		1	
19	STM-607EB-ALL-04	Water outlet	TP2	1	
18	S-66	Water flow regulator connector	Assembly	1	Borrowed
17	BH12000601010	Copper trumpet nut 3/4(S-50)for STM		2	
16	BH12121200610	Tonifon pipe male thread connector S-05		1	
15	BH12010400410	Tonifon pipe connector 1/4" PT-1/4" H		3	
14	BH12010401010	1/4 Copper trumpet nut		4	
13	STM-1220EB-ALL-04	Crossbeam	SPCC	2	Borrowed
12	BH12060700110	Liquid level indicator nut	H62	1	
11	BH12010406210	Level detector nut male thread connector(S-02)	H62	1	
10	YW70961400000	Glass pipe		1	
9	BW20000001010	Level detector base	AL	1	
8	BH12030403040	Aluminum oil cap	AL	1	
7	YE14152400000	Micro switch LXW5-1124 rod length 100MM		1	
6	STM-607EB-C-ALL	Ball	Assembly	1	
5	STM-607EB-A-ALL	oil tank assembly	Assembly	1	
4	STM-607EB-ALL-03	Control box rear plate	SPCC	1	
3	YW20660900100	Door plate handle	AL	1	
2	STM-607EB-ALL-02	Control box	SPCC	1	
1	STM-607EB-ALL-01	Door plank	SPCC	1	

58	BH11609102110	Pipe heater cover	SPCC	1	
57	YW00000000100	Long door lock	AL	1	
56	STM-1220EB-ALL-13	Solenoid valve cover	SPCC	1	Borrowed
55	YE32213100000	Solenoid valve	Assembly	1	
54	YW69081500000	Butterfly bolt GB/T M8x15		2	
53	YW65010000000	Spring washer 10		2	
52	YW60103000200	Hex. bolt M10x30	Longzine	2	
51	YW64001000100	Hexagon nut M10	5.0	2	
50	YW66103200000	Flat gasket 10		2	
49	YW66082200100	Flat gasket 8		4	

制图	版号	0	标题	STM-607EB	图号	STM-607EB-ALL	比例	1:10	数量	1
设计	核准		总装图							
校对	日期	20220409	SHINI 信易电热机械股份有限公司 Shini Plastics Technologies, Inc.		表面要求					
标记	更改前	更改后	更改人	日期	审核	物料号				

版号VER.E



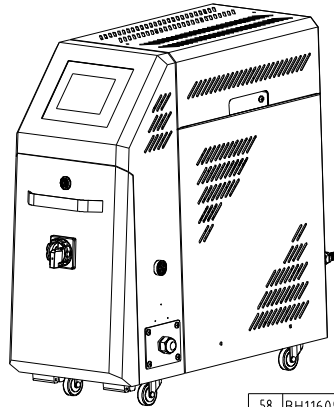
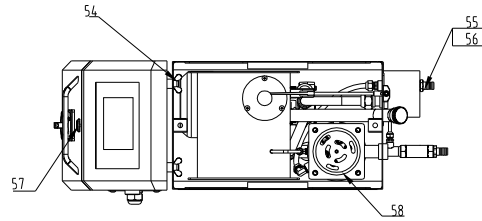
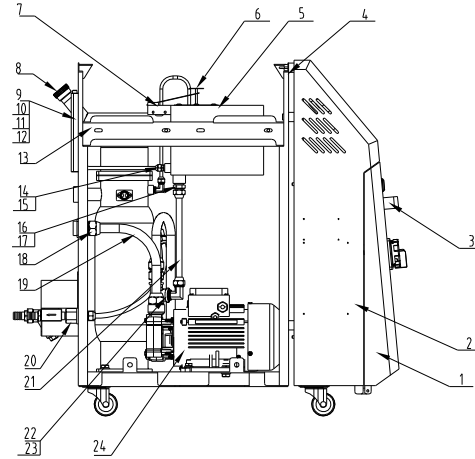
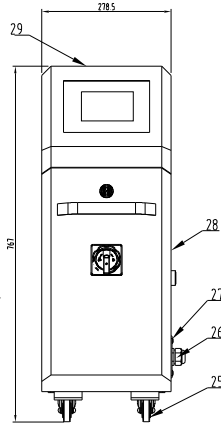
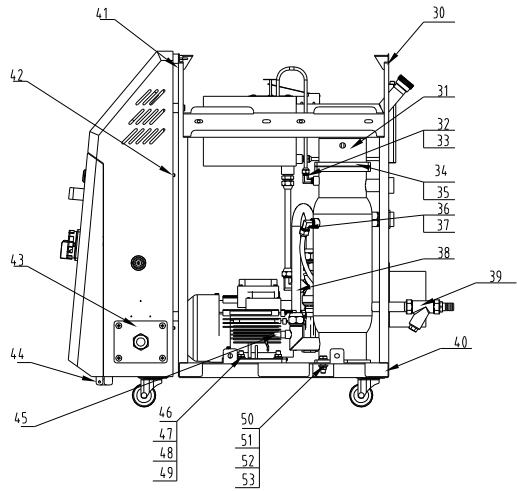
52	YW00000000100	Long door lock	AL	1	
51	YR20121200000	Flexible graphite gasket 170x120x2.0		1	
50	STM-1220EB-ALL-13	Solenoid valve cover	SPCC	1	Borrowed
49	YW69081500000	Butterfly bolt GB/T M8x15		2	

48	YW65010000000	Spring washer 10		2	
47	YW60103000200	Hex. bolt M10x30	Longzine	2	
46	YW64001000100	Hexagon nut M10	5.0	2	
45	YW66103200000	Flat washer 10		2	
44	YW66082200100	Flat washer 8		4	
43	YW64080600000	Hexagon nut M8		4	
42	YW65008000100	Spring washer 8		4	
41	YW60083000200	Hex. bolt M8x30		4	
40	BE90100000150	Thermocouple	Assembly	1	
39	YW06219100000	Big hinge CL219-1		2	
38	SG-S-01	Wire fixture fixed plate	SPCC	1	Borrowed
37	STM-607EB-ALL-11	Electrical base plate	SECC	1	
36	STM-607W-EB-ALL-05	Baffle plate	SPCC	1	
35	STM-607EB-ALL-09	Bottom plate	SPCC	1	Borrowed
34	YW57010200000	Y Type filtered water valve 1/2"PT Required copper content 5%		1	
33	STM-607W-EB-B-ALL	Air-blowing device	Assembly	1	
32	STM-607EB-ALL-07	Oil Inlet Pipe		1	Borrowed
31	YW04030800600	Tonflon pipe connector 3/8"x3/8" L-type		1	
30	STM-607W-EB-A-ALL	Heating tank	Assembly	1	
29	BH11609102110	Pipe heater cover	SPCC	1	
28	STM-1215HT-B-03	Pipe heater assembly	Assembly	1	Borrowed
27	STM-607EB-ALL-06	Cover plate	SPCC	1	Borrowed
26	YE10161100000	Air-blowing button		1	
25	STM-607W-EB-ALL-04	Side plate	SPCC	2	
24	YW62061000000	Large cross socket flat head screw JS1111 M6x18-Longzine	Longzine	30	
23	YE67002100000	Cable head PG21		1	
22	YW03000200000	Black castor 2"	Assembly	4	
21	BM20005500650	Water pump TP-55	Assembly	1	
20	YW04010400400	Tonflon pipe connector L-type		1	
19	BH12030400710	Copper connector 1/2PTx3/4x1/4 middle hole		1	
18	BH12000601010	Copper trumpet nut 3/4" (S-56)for STM)		2	
17	BL40005400320	The third-set accessory of the copper connector S-140		1	
16	BH12030801010	Copper trumpet nut 3/8"		2	
15	YE32213100000	Solenoid valve	Assembly	1	
14	STM-607EB-ALL-04	Water outlet	TP2	1	Borrowed
13	BH12000601010	Copper trumpet nut 3/4(S-56)for STM)		2	
12	S-66	Water flow regulator connector	Assembly	1	Borrowed
11	BH12010400410	Tonflon pipe connector 1/4" PT 1/4"H		3	
10	BH12010401010	1/4 Copper trumpet nut		4	
9	STM-1220EB-ALL-04	Crossbeam	SPCC	2	Borrowed
8	YW64181500200	1-type Hexagon nut Fine thread M18 * 15		1	
7	YE90815970000	Level electrode	Assembly	1	
6	YW80000801500	APMBaffle plate Straight through APMB (for TACT)	Assembly	1	
5	STM-607W-EB-ALL-03	Rear plate	SPCC	1	
4	STM-607W-EB-ALL-02	Control box rear plate	SPCC	1	
3	YW20660900100	Door plank handle	AL	1	
2	STM-607W-EB-ALL-01	Control box	SPCC	1	
1	STM-607W-EB-ALL-06	Door plank	SPCC	1	

制图	版号	0	标题	STM-607W-EB	图号	STM-607W-EB-ALL	比例	1:10	数量	1
设计	核准		总装图		STM-607W-EB-ALL				数量	1
校对	核准				信易电热机械股份有限公司 Shini Plastics Technologies, Inc.		表面要求		材质	组合件
标记	更改前	更改后	更改人	日期	20220411		物料号			



版号 VER.E

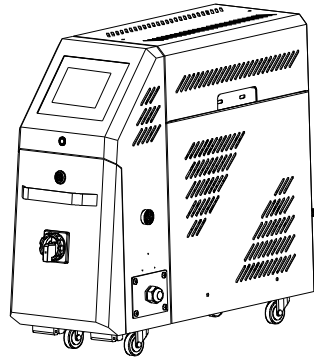
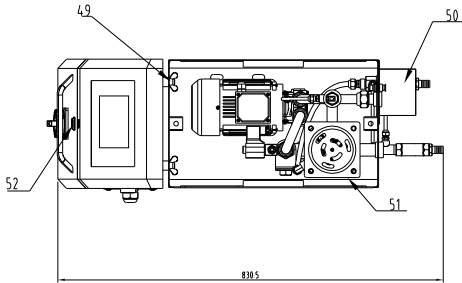
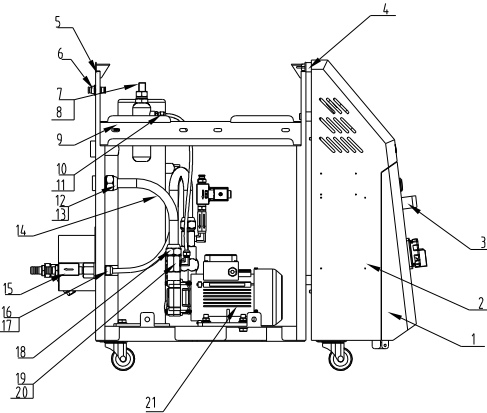
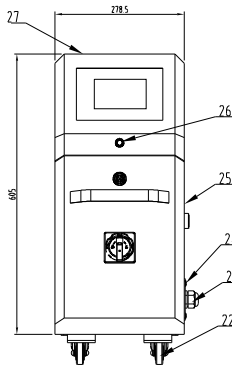
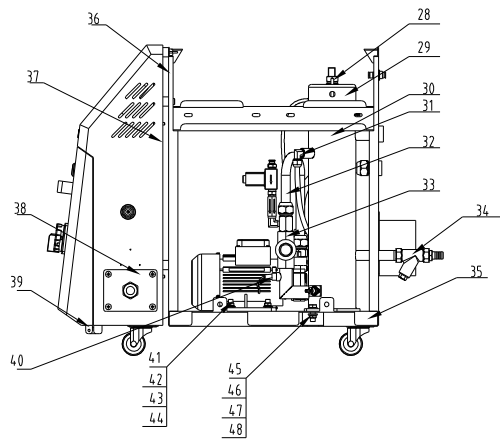


48	YW64080600000	Hexagon nut M8		4	
47	YW65008000100	Spring washer 8		4	
46	YW60083000200	Hex. bolt M8x30		4	
45	BE90100000150	Thermocouple	Assembly	1	
44	YW06219100000	Big hinge CL219-1		2	
43	SG-S-01	Wire fixture fixed plate	SPCC	1	Borrowed
42	STM-607EB-ALL-11	Electrical base plate	SECC	1	Borrowed
41	STM-607EB-ALL-10	Baffle plate	SPCC	1	Borrowed
40	STM-607EB-ALL-09	Bottom plate	SPCC	1	Borrowed
39	YW57010200000	Y Type Filtered Water Valve 1/2" PT requires 51% copper		1	
38	STM-607EB-ALL-07	Oil Inlet Pipe		1	
37	BH12030801010	Copper trumpet nut 3/8"		2	
36	YW04030800600	Tonlon pipe connector 3/8x3/8T L-type		1	
35	YR20121200000	Flexible graphite gasket 32x120x2.0		1	
34	STM-1215HT-B-03	Pipe heater assembly	Assembly	1	Borrowed
33	BH12010401010	1/4" Copper trumpet nut		1	
32	YW04010400400	Tonlon pipe connector L-type		1	
31	STM-607EB-B-ALL	Heating tank	Assembly	1	Borrowed
30	STM-607EB-ALL-08	Rear plate	SPCC	1	Borrowed
29	STM-607EB-ALL-06	Cover plate	SPCC	1	Borrowed
28	STM-1220EB-ALL-06	Side plate	SPCC	2	Borrowed
27	YW62061000000	Large cross socket flat head screw JIS1111 M6x10-Longzine	Longzine	30	
26	YE67002100000	Cable head PG21		1	
25	YW03000200000	Black castor 2"	Assembly	4	
24	BM20007500550	Water pump TP-75	Assembly	1	
23	YW52010200000	Stainless steel three-way 1/2(SUS304)		1	
22	BH12030401010	Copper trumpet connector IS-02-0		2	
21	STM-607EB-ALL-05	Oil pipe	TP2	1	
20	BL40005400320	The third-set accessory of the copper connector S-140		1	
19	STM-607EB-ALL-04	Water outlet	TP2	1	
18	STM-607EB-D-ALL	Water flow regulator connector	Assembly	1	Borrowed
17	BH12000601010	Copper trumpet nut 3/4" IS-50for STM		2	
16	BH12121200610	Tonlon pipe male thread connector S-05		1	
15	BH12010400410	Tonlon pipe connector 1/4" PT-1/4" H		3	
14	BH12010401010	1/4" Copper trumpet nut		4	
13	STM-1220EB-ALL-04	Crossbeam	SPCC	2	Borrowed
12	BH12060700110	Liquid level indicator nut	H62	1	
11	BH12010406210	Level detector nut male thread connector (S-62)	H62	1	
10	YW70961400000	Glass pipe		1	
9	BW20000001010	Level detector base	AL	1	
8	BH12030403040	Aluminum oil cap	AL	1	
7	YE14152400000	Micro switch LXWS-1124 rod length 100MM		1	
6	STM-607EB-C-ALL	Oil tank	Assembly	1	Borrowed
5	STM-607EB-A-ALL	oil tank assembly	Assembly	1	Borrowed
4	STM-607EB-ALL-03	Control box Rear plate	SPCC	1	Borrowed
3	YW20660900100	Door plank handle	AL	1	
2	STM-607EB-ALL-02	Control box	SPCC	1	Borrowed
1	STM-607EB-ALL-01	Door plank	SPCC	1	Borrowed

58	BH11609102110	Pipe heater cover	SPCC	1	
57	YW00000000100	Long door lock	AL	1	
56	STM-1220EB-ALL-13	Solenoid valve cover	SPCC	1	Borrowed
55	YE32213100000	Solenoid valve	Assembly	1	
54	YW69081500000	Butterfly bolt GB/T M8x15		2	
53	YW65010000000	Spring washer 10		2	
52	YW60103000200	Hex. bolt M10x30	Longzine	2	
51	YW64001000100	Hexagon nut M10	5.0	2	
50	YW66103200000	Flat washer 10		2	
49	YW66082200100	Flat washer 8		4	

制图	版号	0	标题	STM-910EB	图号	STM-910EB-ALL	比例	1:10	数量	1
设计	核准		总装图						表面要求 物料号	材质 组合件
校对	日期	20220411	信易电热机械股份有限公司 Shini Plastics Technologies, Inc.							
标记	更改前	更改后	更改人	日期	审核	日期				

版号 VER.E

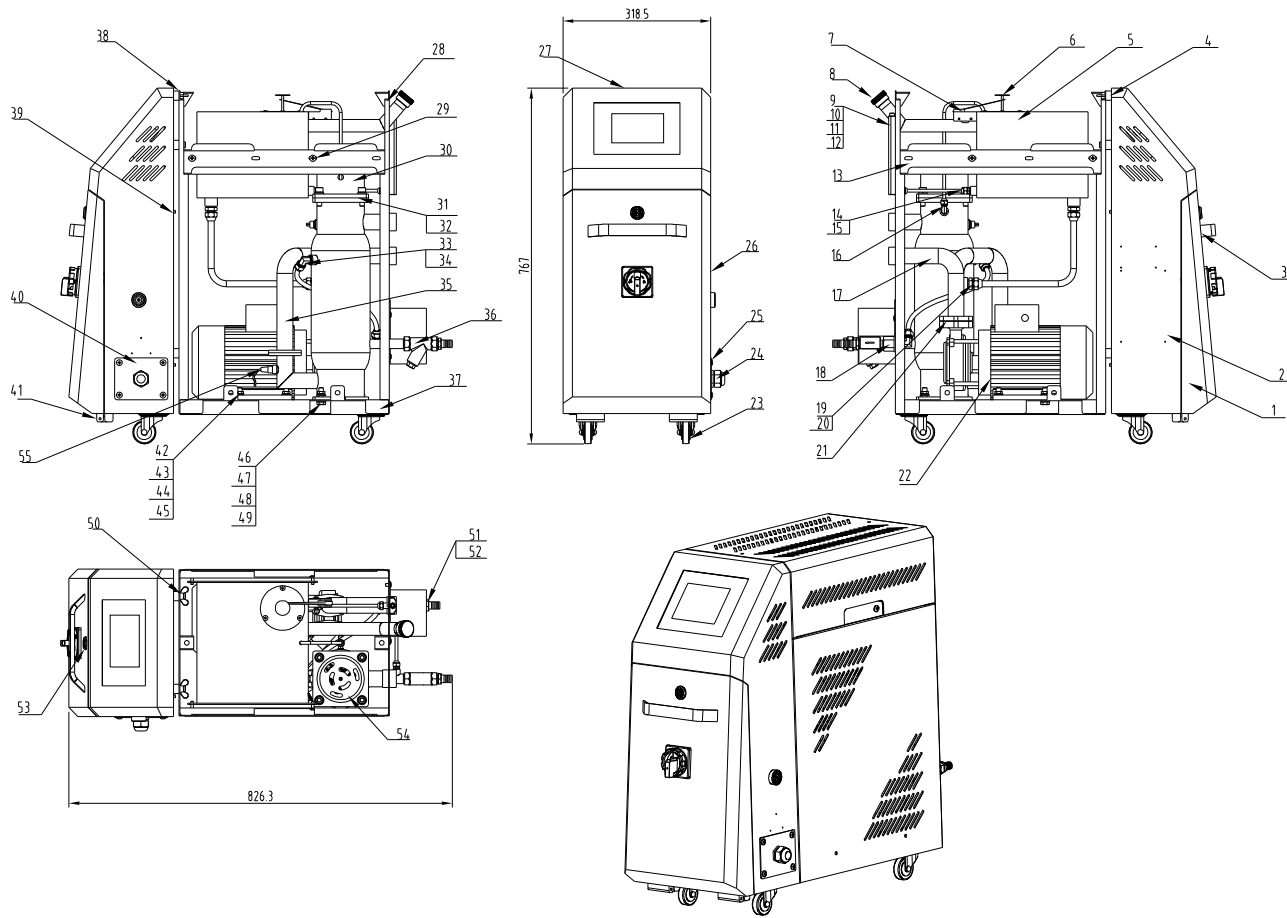


48	YW65010000000	Spring washer 10			2	
47	YW60103000200	Hex. bolt M10×30	Longzine		2	
46	YW64001000100	Hexagon nut M10	5.0		2	
45	YW66103200000	Flat washer 10			2	
44	YW66082200100	Flat washer 8			4	
43	YW64080600000	Hexagon nut M8			4	
42	YW65008000100	Spring washer 8			4	
41	YW60083000200	Hex. bolt M8×30			4	
40	BE90100000150	Thermocouple	Assembly		1	
39	YW06219100000	Big hinge CL219-1			2	
38	SG-S-01	Wire fixture fixed plate	SPCC		1	Borrowed
37	STM-607E-ALL-11	Electrical base plate	SECC		1	Borrowed
36	STM-607W-EB-ALL-05	Baffle plate	SPCC		1	Borrowed
35	STM-607E-ALL-09	Bottom plate	SPCC		1	Borrowed
34	YW57010200000	Y-Type Filtered Water Valve 1/2" PT requires 57% copper			1	
33	STM-607W-EB-B-ALL	Air-blowing device	Assembly		1	Borrowed
32	STM-607E-ALL-07	Oil Inlet Pipe			1	Borrowed
31	YW04030800600	Tonfion pipe connector 3/8H×3/8T L-type			1	
30	STM-607W-EB-A-ALL	Heating tank	Assembly		1	Borrowed
29	BH11609102110	Pipe heater cover	SPCC		1	
28	STM-1215HT-B-03	Pipe heater assembly	Assembly		1	Borrowed
27	STM-607E-ALL-06	Cover plate	SPCC		1	Borrowed
26	YE10161100000	Air-blowing button			1	
25	STM-607W-EB-ALL-04	Side plate	SPCC		2	Borrowed
24	YW62061000000	Large cross socket flat head screw #5311 M8×10-Longzine	Longzine		30	
23	YE67002100000	Cable head PG21			1	
22	YW03000200000	Black castor 2"	Assembly		4	
21	BM20007500550	Water pump TP-75	Assembly		1	
20	YW04010400400	Tonfion pipe connector L-type			1	
19	BH12030400710	Copper joint 1/2PT × 3/4H × 1/4 mid hole			1	
18	BH12000601010	Copper trumpet nut 3/4"×15-56llfor STM			2	
17	BL40005400320	The third-set accessory of the copper connector S-140			1	
16	BH12030801010	Copper trumpet nut 3/8"			2	
15	YE32213100000	Solenoid valve	Assembly		1	
14	STM-607E-ALL-04	Water outlet	TP2		1	Borrowed
13	BH12000601010	Copper trumpet nut 3/4"×15-56llfor STM			2	
12	S-66	Water flow regulator connector	Assembly		1	Borrowed
11	BH12010400410	Tonfion pipe connector 1/4"PT×1/4" H			3	
10	BH12010401010	1/4 Copper trumpet nut			4	
9	STM-1220EB-ALL-04	Crossbeam	SPCC		2	Borrowed
8	YW64181500200	1-Type Hexagon nut Fine Teeth M18 × 15			1	
7	YE90815970000	Level electrode	Assembly		1	
6	YW80000801500	APM Ball plate Direct to APM8 (Air TAE)	Assembly		1	
5	STM-607W-EB-ALL-03	Rear plate	SPCC		1	Borrowed
4	STM-607W-EB-ALL-02	Control box Rear plate	SPCC		1	Borrowed
3	YW20660900100	Door plank handle	AL		1	
2	STM-607W-EB-ALL-01	Control box	SPCC		1	Borrowed
1	STM-607W-EB-ALL-06	Door plank	SPCC		1	Borrowed

52	YW00000000100	Long door lock	AL		1	
51	YR20121200000	Flexible graphite gasket 120×120×2.0			1	
50	STM-1220EB-ALL-13	Solenoid valve cover	SPCC		1	Borrowed
49	YW69081500000	Butterfly bolt GB/T M8×15			2	

标记	更改前	更改后	更改人	日期	制图	版号	标题	图号	比例	1:10	数量	1	备注
					设计	0	STM-910W-EB	STM-910W-EB-ALL					
					校对		总装图						
					审核								
					日期	20220412	SHINI 信易电热机械股份有限公司 Shini Plastics Technologies, Inc.		表面要求		物料号		

版号 VER.E

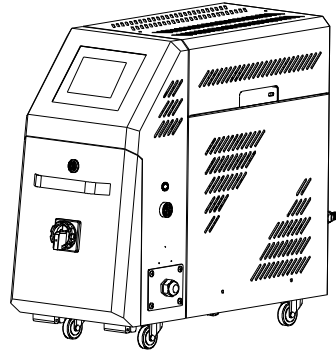
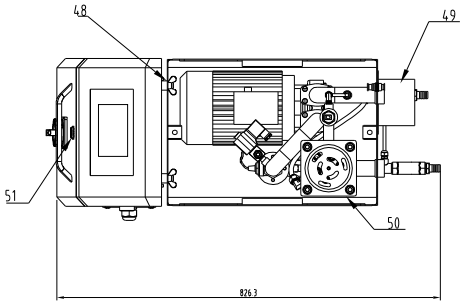
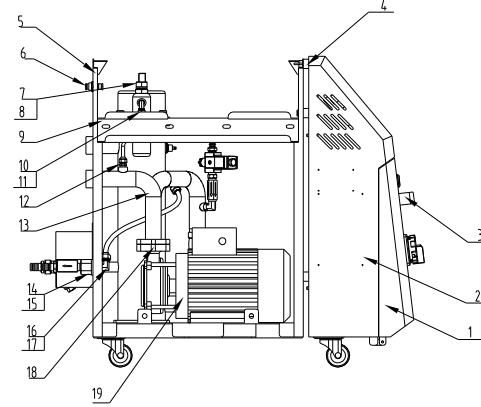
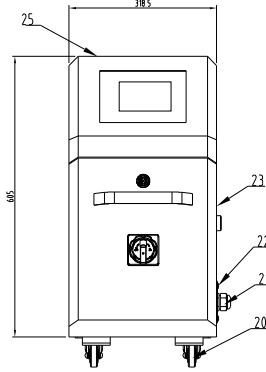
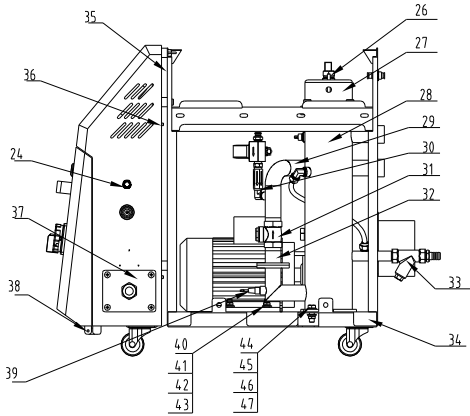


48	YW60103000200	Hex bolt M10×30	Longzine	2	
47	YW64001000100	Hexagon nut M10	50	2	
46	YW66103200000	Flat washer 10		2	
45	YW66082200100	Flat washer 8		4	
44	YW64080600000	Hexagon nut M8		4	
43	YW65008000100	Spring washer 8		4	
42	YW60083000200	Hex bolt M8×30		4	
41	YW06219100000	Big hinge CL219-1		2	
40	SG-S-01	Wire fixture fixed plate	SPCC	1	Borrowed
39	STM-1220EB-ALL-12	Electrical base plate	SECC	1	
38	STM-1220EB-ALL-11	Baffle plate	SPCC	1	
37	STM-1220EB-ALL-10	Bottom plate	SPCC	1	
36	YW57010200000	Y Type Filtered Water Valve 1/2" PT requires 57% copper		1	
35	STM-1220EB-ALL-09	Oil Inlet Pipe		1	
34	BH12030801010	Copper trumpet nut 3/8"		2	
33	YW04030800600	Tonfon pipe connector 3/8x3/8 L-type		1	
32	YR20121200000	Flexible graphite gasket 120x120-2.0		1	
31	STM-1215HT-B-03	Pipe heater assembly	Assembly	1	Borrowed
30	STM-1220EB-C-ALL	Heating tank	Assembly	1	
29	YW63061500000	Cross socket screw M6x15	Longzine	4	
28	STM-1220EB-ALL-08	Rear plate	SPCC	1	
27	STM-1220EB-ALL-07	Cover plate	SPCC	1	
26	STM-1220EB-ALL-06	Side plate	SPCC	2	
25	YW62061000000	Large cross socket flat head screw JS1111 M6x10-Longzine	Longzine	30	
24	YE67002100000	Cable head PG21		1	
23	YW03000200000	Black castor 2"	Assembly	4	
22	BM20015000050	Water pump TP-150	Assembly	1	
21	YR20643500000	Flexible graphite gasket 64x35x2.0		2	
20	BH12030401010	Copper trumpet connector(S-02-01)		2	
19	BH12121200610	Tonfon pipe male thread connector S-05		2	
18	BL 40005400320	The third-set accessory of the copper connector S-14.0		1	
17	STM-1220EB-ALL-05	Water outlet		1	
16	YW04010400400	Tonfon pipe connector L-type		1	
15	BH12010400410	Tonfon pipe connector 1/4"PTx1/4"H		3	
14	BH12010401010	1/4 Copper trumpet nut		5	
13	STM-1220EB-ALL-04	Crossbeam	SPCC	2	
12	BH12060700110	Liquid level indicator nut	H62	1	
11	BH12010406210	Level detector nut male thread connector IS-62)	H62	1	
10	YW70961400000	Glass pipe		1	
9	BW20000001010	Level detector base	AL	1	
8	BH12030403040	Aluminum oil cap	AL	1	
7	YE14152400000	Hex's switch LXW5-1124rod length 100MM		1	
6	STM-1220EB-B-ALL	Ball	Assembly	1	
5	STM-1220EB-A-ALL	oil tank assembly	Assembly	1	
4	STM-1220EB-ALL-03	Control box Rear plate	SPCC	1	
3	YW20660900100	Door plank handle	AL	1	
2	STM-1220EB-ALL-02	Control box	SPCC	1	
1	STM-1220EB-ALL-01	Door plank	SPCC	1	

55	BE90100000150	Thermocouple	Assembly	1	
54	BH11609102110	Pipe heater cover	SPCC	1	
53	YW00000000100	Long door lock	AL	1	
52	STM-1220EB-ALL-13	Solenoid valve cover	SPCC	1	
51	YE32213100000	Solenoid valve	Assembly	1	
50	YW69081500000	Butterfly bolt GB/T M8x15		2	
49	YW65010000000	Spring washer 10		2	

标记	更改前	更改后	更改人	日期	审核	日期	20220408	序号	代号	名称	材质	数量	备注
					制图	版号	0	标题	STM-1220EB	图号		比例	1:10
					设计	核准		总装图		STM-1220EB-ALL		数量	1
					校对			SHINI 信易电热机械股份有限公司			材质	组合件	
					审核			Shini Plastics Technologies, Inc.			表面要求		
											物料号		

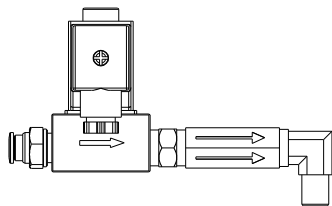
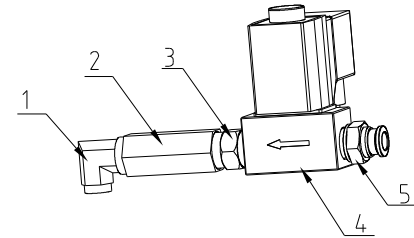
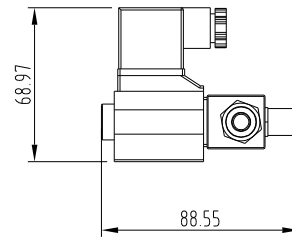
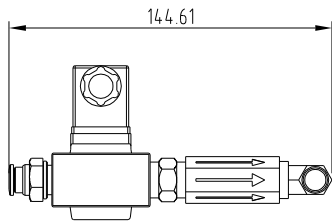
版号 VER.E



48	YW69081500000	Butterfly bolt GB/T M8x15		2	
47	YW65010000000	Spring washer 10		2	
46	YW60103000200	Hex. bolt M10x30	Longzine	2	
45	YW64001000100	Hexagon nut M10	5.0	2	
44	YW66103200000	Flat washer 10		2	
43	YW66082200100	Flat washer 8		4	
42	YW64080600000	Hexagon nut M8		4	
41	YW65008000100	Spring washer 8		4	
40	YW60083000200	Hex. bolt M8x30		4	
39	BE90100000150	Thermocouple	Assembly	1	
38	YW06219100000	Big hinge CL219-1		2	
37	SG-S-01	Wire fixture fixed plate	SPCC	1	Borrowed
36	STM-1220EB-ALL-12	Electrical base plate	SECC	1	Borrowed
35	STM-1220W-EB-ALL-08	Baffle plate	SPCC	1	
34	STM-1220EB-ALL-10	Bottom plate	SPCC	1	Borrowed
33	YW57010200000	Y-Type Filtered Water Valve 1/2" PT requires 57% copper		1	
32	STM-1220W-EB-ALL-07	Check valve connection pipe		1	
31	YW59100000000	Check valve 1" (copper)	CU	1	
30	STM-1220W-EB-B-ALL	Air-blowing device	Assembly	1	
29	STM-1220W-EB-ALL-06	Oil Inlet Pipe		1	
28	STM-1220W-EB-A-ALL	Heating tank	Assembly	1	
27	BH11609102110	Pipe heater cover	SPCC	1	
26	STM-607-B-03	Pipe heater assembly	Assembly	1	Borrowed
25	STM-1220EB-ALL-06	Cover plate	SPCC	1	Borrowed
24	YE10161100000	Air-blowing button		1	
23	STM-607W-EB-ALL-04	Side plate	SPCC	2	Borrowed
22	YW62061000000	Large cross socket flat head screw JIS111 M6x10-Longzine	Longzine	30	
21	YE67002100000	Cable head PG21		1	
20	YW03000200000	Black castor 2"	Assembly	4	
19	BM20015000050	Water pump TP-150	Assembly	1	
18	YR20643500000	Flexible graphite gasket 64-35x2.0		2	
17	YW04030800600	Tonlion pipe connector 3/8"x3/8" L-type		2	
16	BH12030801010	Copper trumpet nut 3/8"		2	
15	YE32213100000	Solenoid valve	Assembly	1	
14	BL40005400320	The third-set accessory of the copper connector S-14.0		1	
13	STM-1220W-EB-ALL-05	Water outlet		1	
12	BH12010400410	Tonlion pipe connector 1/4" PT 1/4"H		3	
11	YW04010400400	Tonlion pipe connector L-type		1	
10	BH12010401010	1/4 Copper trumpet nut		4	
9	STM-1220EB-ALL-04	Crossbeam	SPCC	2	Borrowed
8	YW64181500200	Type 1 Hexagon nut Fine thread M8 - 15		1	
7	YE90815970000	level electrode	Assembly	1	
6	YW80000801500	APM Baffle plate Direct to APM8 (air TAC)	Assembly	1	
5	STM-1220W-EB-ALL-04	Rear plate	SPCC	1	
4	STM-1220W-EB-ALL-03	Control box Rear plate	SPCC	1	
3	YW20660900100	Door plank handle	AL	1	
2	STM-1220W-EB-ALL-02	Control box	SPCC	1	
1	STM-1220W-EB-ALL-01	Door plank	SPCC	1	

51	YW00000000100	Long door lock	AL	1	
50	YR20121200000	Flexible graphite gasket 120x120-2.0		1	
49	STM-1220EB-ALL-13	Solenoid valve cover	SPCC	1	借用

标记	更改前	更改后	更改人	日期	制图	版号	标题	图号	名称	材质	数量	备注
					设计	0	STM-1220W-EB				1	
					校对		总装图	STM-1220W-EB-ALL			1	
					审核						1	
					日期	20220413						
<b>SHINI</b> 信易电热机械股份有限公司 Shini Plastics Technologies, Inc.										表面要求	物料号	



5	YW80083800100	Air pipe quick connector	PVC	1	
4	YE32213100000	Solenoid valve	PVC	1	
3	BH12030800110	Copper pipe coupler 3/8PT×3/8PT	CU	1	
2	YW59383400000	Check valve 3/8" (SUS304)	SUS304	1	
1	YW04010400200	Copper pipe coupler 1/4×3/8 L-type	CU	1	
序号	代号	名称	材质	数量	备注

					制图		版号	0	标题	STM-1220W-EB	图号	STM-1220W-EB-B-ALL	比例	1:3	数量	1
					设计		核		气吹装置	SHINI 信易電熱機械股份有限公司 Shini Plastics Technologies, Inc.	表面要求	本图采用第一角画法				
				校对		准										
标记	更改前	更改后	更改人	日期	审核		日期	20220303								