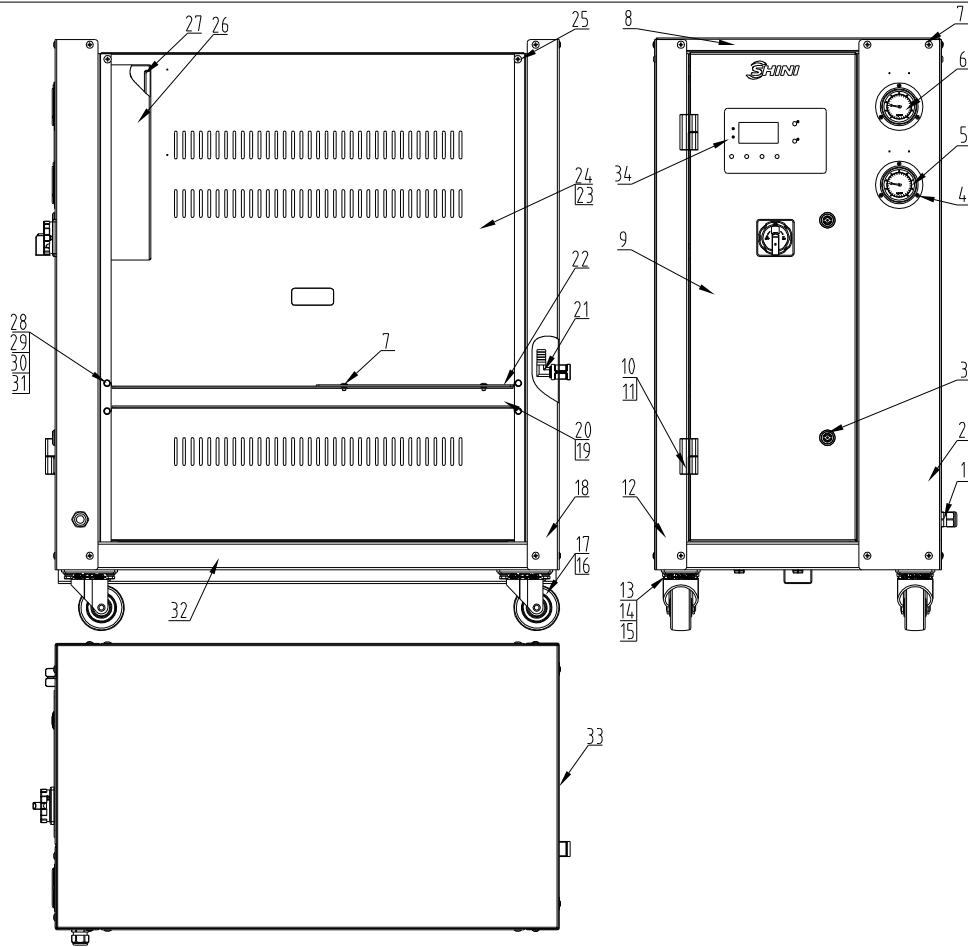


2	SIC-5W-EB-B-ALL	Internal structure		1	
1	SIC-5W-EB-A-ALL	Rack		1	
序号	代号	名称	材质	数量	备注

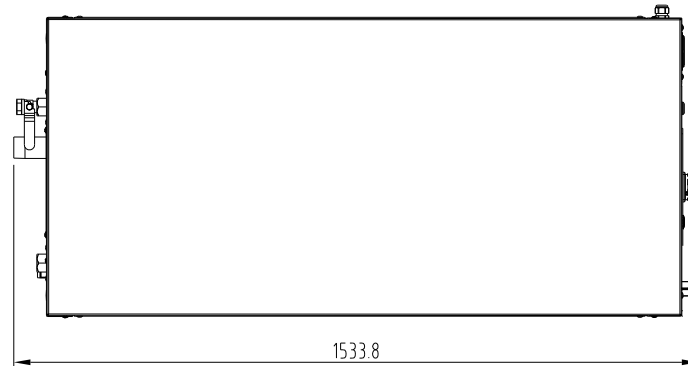
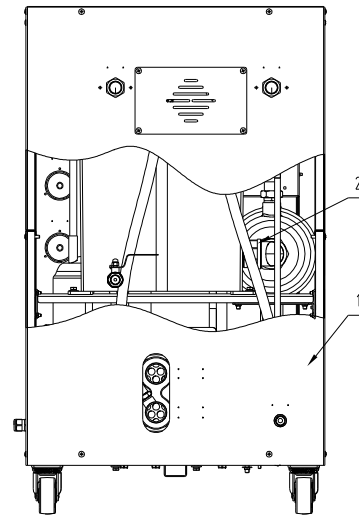
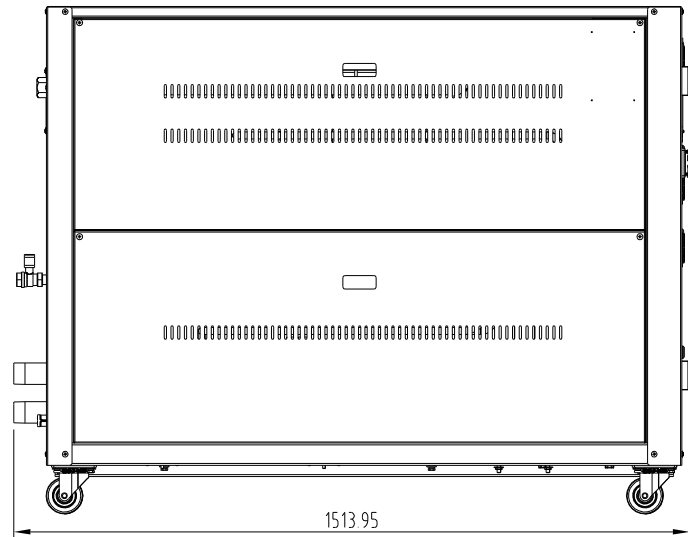
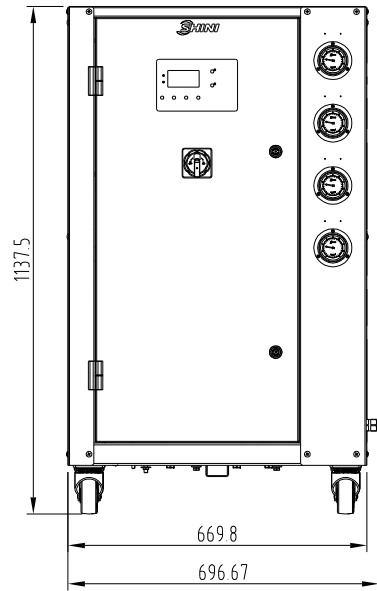
					制图		版号	A	标题	SIC-5W-EB	图号	SIC-5W-EB-ALL	比例	1:12	数量	1
					设计		核准		总装图				材质	Assembly		
				2024.0829	校对		核准		 信易電熱機械股份有限公司 Shini Plastics Technologies, Inc.				表面要求	本图采用第一角画法		
标记	更改前	更改后	更改人	日期	审核		日期	20230506								



31	YW64000600300	Hexagon nut GB/T6170 M6	Longzine	8	
30	YW66061300000	Flat washer A grade GB/T971.6	Longzine	8	
29	YW65006000100	Standard spring washer GB/T93.6	Longzine	8	
28	YW60061500100	Hexagon screw bolt GB/T5783 M6x16	Longzine	8	
27	SIC-5W-EB-A-ALL-12	Electrical base plate	SECC	1	
26	SIC-5W-EB-A-ALL-11	Control box	SPCC	1	
25	YW62063000000	Cross recessed pan head screw M6x30	Longzine	4	
24	SIC-5W-EB-A-ALL-10	Left side plate	SPCC	1	
23	SIC-5W-EB-A-ALL-09	Right side plate	SPCC	1	
22	SIC-5W-EB-A-ALL-08	Water tank installation plate	SPCC	1	
21	YW50121600100	1/2" L-shaped external tooth insert 16MM	CU	1	
20	SIC-5W-EB-A-ALL-07	Crossbeam 1	SPCC	1	
19	SIC-5W-EB-A-ALL-06	Crossbeam	SPCC	1	
18	SIC-5W-EB-A-ALL-05	Rear plate	SPCC	1	
17	YW03000300000	3" black PPR castor with brake	Assembly	2	
16	YW03000300200	3" flexible black PPR castor	Assembly	2	
15	YW66081600000	Flat washer A grade (8.4×16×1.6)	Longzine	36	
14	YW65008000100	Standard spring washer 8	Longzine	26	
13	YW60081600100	Hexagon screw bolt M8x16-4.8	Longzine	16	
12	SIC-5W-EB-A-ALL-04	Left front column	SPCC	1	
11	YW62051000100	Cross recessed pan head screw M5x10	Longzine	12	
10	YW06203100400	Large chain (L203-11left)(has mould)	Aluminium alloy	2	
9	SIC-5W-EB-A-ALL-03	Door plank	SPCC	1	
8	SIC-5W-EB-A-ALL-02	Top plate	SPCC	1	
7	YW62061000000	Cross recessed pan head screw M6x10	Longzine	26	
6	YW85005500000	High pressure gauge (0~55bar)	Assembly	1	
5	YW85003500000	Low pressure gauge (0~35bar)	Assembly	1	
4	YW61103400000	Cross recessed pan head screw M4x10	A2-70	6	
3	YW00040600100	Door lock-short gear plate MF-4.06	Assembly	2	
2	SIC-5W-EB-A-ALL-01	Meter plate	SPCC	1	
1	YE67001600000	Cable head PG16	Plastic	1	

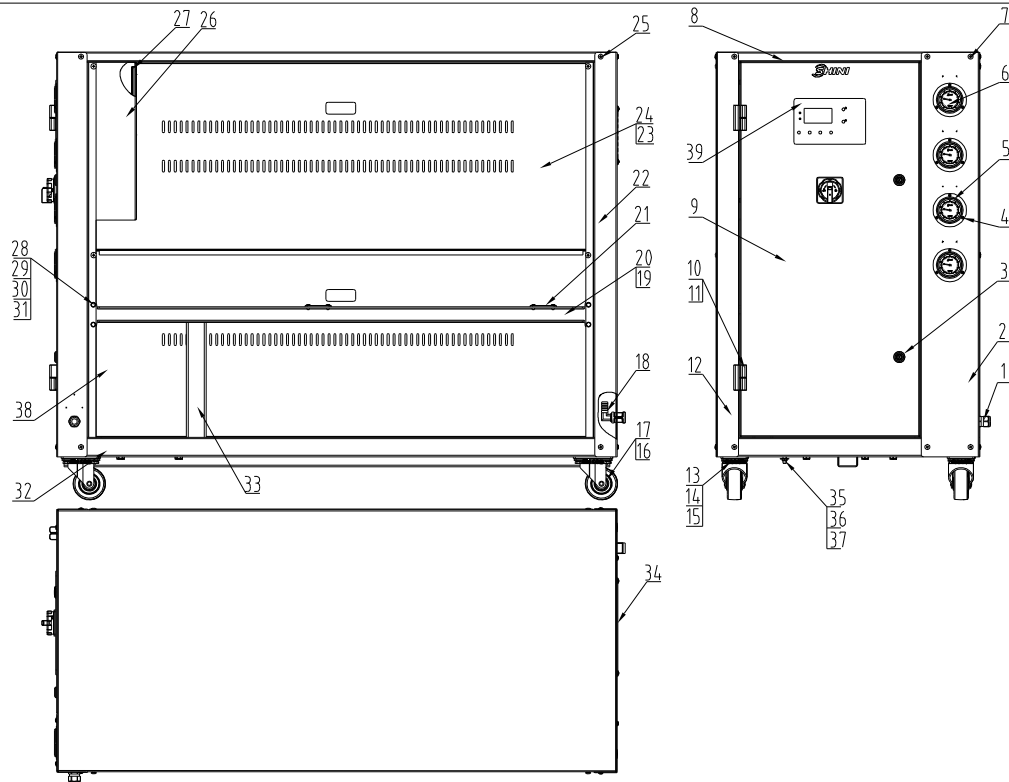
34	SIC-5A-EB-ALL-01	Controller panel	SPCC	1	Borrowed
33	SIC-5W-EB-A-ALL-14	Small cover plate	SPCC	1	
32	SIC-5W-EB-A-ALL-13	Base plate	Welding components	1	
序号	代号	名称	材质	数量	备注

				制图	版本号		A	标题		SIC-5W-EB	图号		SIC-5W-EB-A-ALL	比例	1:12	数量	1	备注	
				设计	核准			SIC-5W-EB		机架	SIC-5W-EB-A-ALL		材质	Assembly					
				2024.08.29	校对	核准		SHINI		信易电热机械股份有限公司		Shini Plastics Technologies, Inc.		表面要求				本图采用第一角画法	
标记	更改前	更改后	更改人	日期	审核	日期	20230506												



2	SIC-10W-EB-B-ALL	Internal structure		1	
1	SIC-10W-EB-A-ALL	Rack		1	
序号	代号	名称	材质	数量	备注

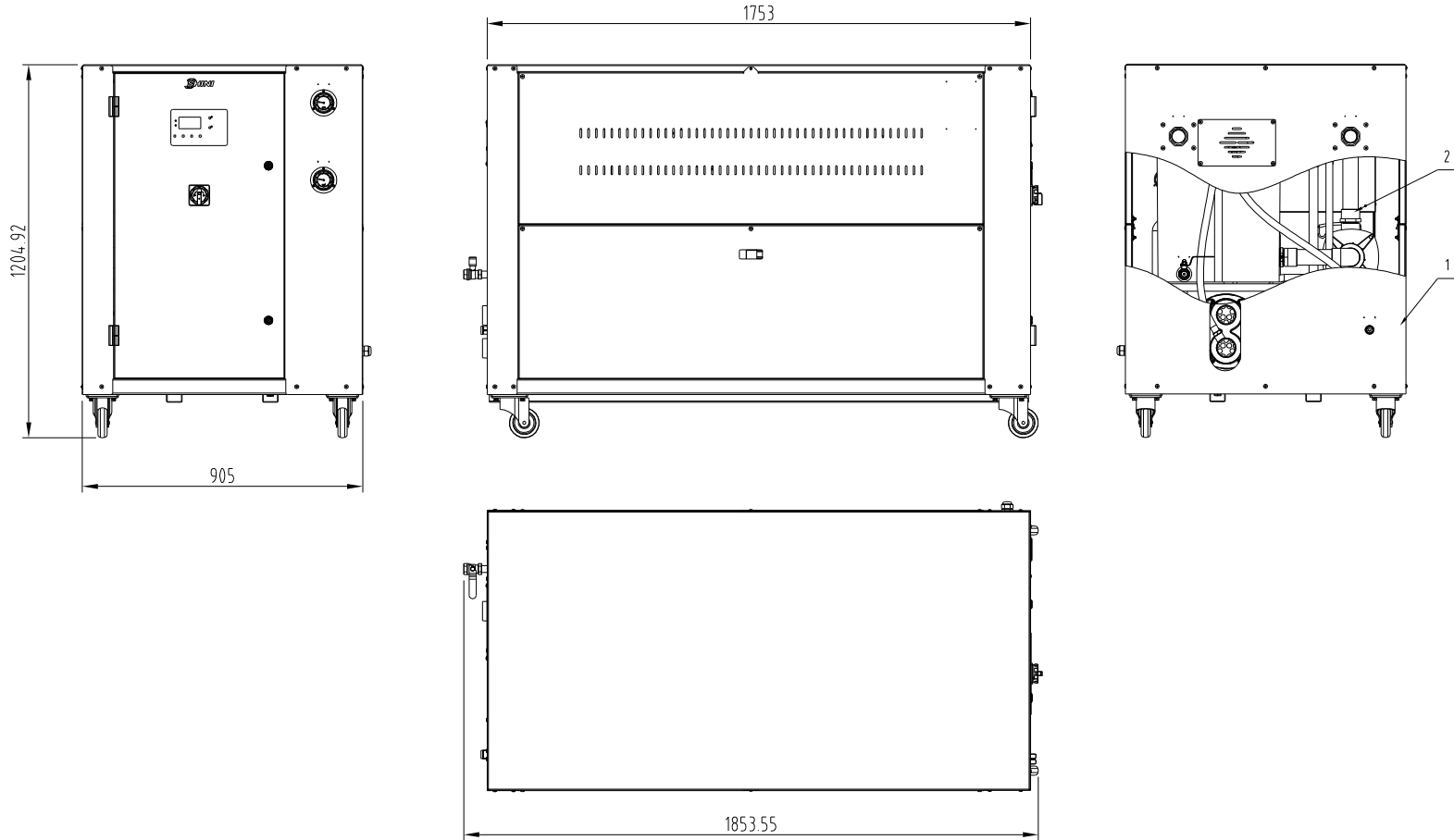
					制图		版号	A	标题	SIC-10W-EB	图号	SIC-10W-EB-ALL	比例	1:12	数量	1
					设计		核准		总装图				材质		Assembly	
				20240829	校对		核准		 信易電熱機械股份有限公司 Shini Plastics Technologies, Inc.				表面要求			
标记	更改前	更改后	更改人	日期	审核		日期	20230708						本图采用第一角画法		



31	YW64000600300	Hexagon nut GB/T6170 M6	Longzine	8	
30	YW66061300000	Flat washer A grade GB/T97.1 6	Longzine	8	
29	YW65006000100	Standard spring washer GB/T93 6	Longzine	8	
28	YW60061500100	Hexagon screw bolt GB/T5783 M6x16	Longzine	8	
27	SIC-5W-EB-A-ALL-12	Electrical base plate	SECC	1	
26	SIC-5W-EB-A-ALL-11	Control box	SPCC	1	
25	YW62063000000	Cross recessed pan head screw M6x30	Longzine	8	
24	SIC-10W-EB-A-ALL-10	Upper left Left side plate	SPCC	1	
23	SIC-10W-EB-A-ALL-09	Upper right side plate	SPCC	1	
22	SIC-10W-EB-A-ALL-08	Rear plate	SPCC	1	
21	SIC-10W-EB-A-ALL-07	Water tank installation plate	SPCC	1	
20	SIC-10W-EB-A-ALL-06	Crossbeam 1	SPCC	1	
19	SIC-10W-EB-A-ALL-05	Crossbeam	SPCC	1	
18	YW50121600100	1/2" L-shaped external tooth insert 16MM	CU	1	
17	YW03000300000	3" black PPR castor with brake	Assembly	2	
16	YW03000300200	3" flexible black PPR castor	Assembly	2	
15	YW66081600000	Flat washer A grade (8.4x16x1.6)	Longzine	36	
14	YW65008000100	Standard spring washer 8	Longzine	26	
13	YW60081600100	Hexagon screw bolt M8x16-4.8	Longzine	16	
12	SIC-10W-EB-A-ALL-04	Left front column	SPCC	1	
11	YW62051000100	Cross recessed pan head screw M5x10	Longzine	12	
10	YW06203100400	Large chain CL203-1(left)(has mould)	Aluminium alloy	2	
9	SIC-10W-EB-A-ALL-03	Door plank	SPCC	1	
8	SIC-10W-EB-A-ALL-02	Top plate	SPCC	1	
7	YW62061000000	Cross recessed pan head screw M6x10	Longzine	36	
6	YW85005500000	High pressure gauge (0-55bar)	Assembly	2	
5	YW85003500000	Low pressure gauge (0-35bar)	Assembly	2	
4	YW61103400000	Cross recessed pan head screw M4x10	A2-70	12	
3	YW00816100000	Door lock (MS816-1 blk.)	Assembly	2	
2	SIC-10W-EB-A-ALL-01	Meter plate	SPCC	1	
1	YE67001600000	Cable head PG16	Plastic	1	

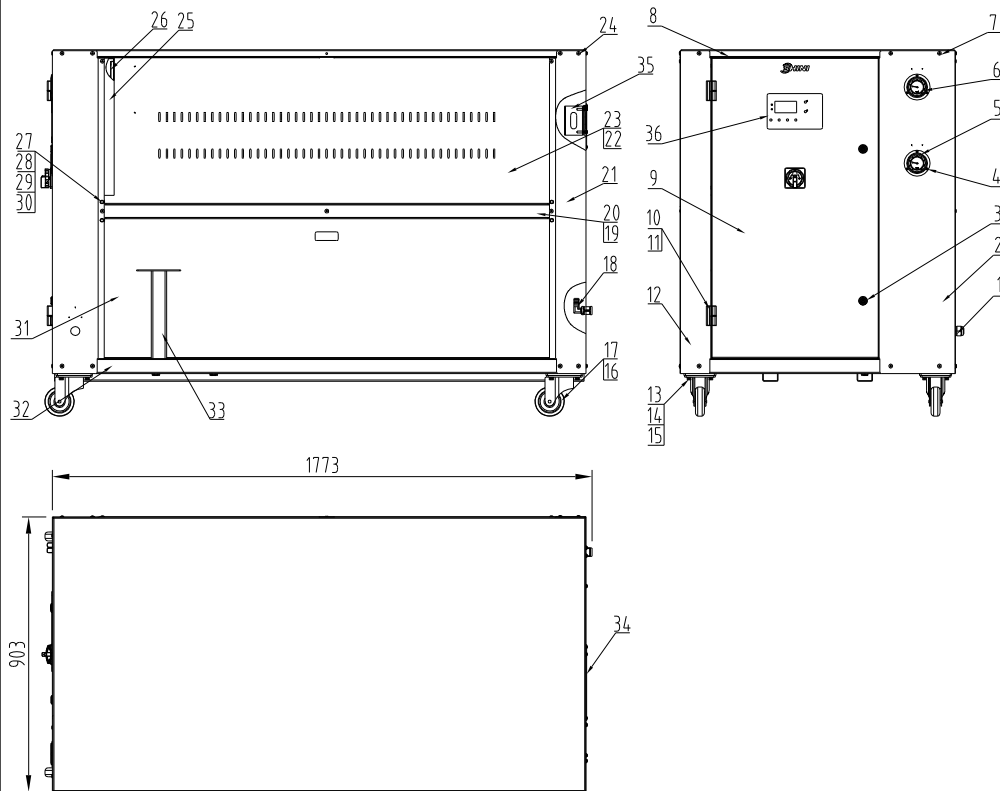
39	SIC-5A-EB-ALL-01	Controller panel	SPCC	1	Borrowed
38	SIC-10W-EB-A-ALL-15	Lower side plate	SPCC	2	
37	YW66081900000	Flat washer M8	Longzine	8	
36	YW64080600000	Hexagon nut M8	Longzine	4	
35	YW60082500100	Hexagon screw bolt M8x25	Longzine	4	
34	SIC-10A-EB-A-ALL-07	Small cover plate	SPCC	1	Borrowed
33	SIC-10W-EB-A-ALL-14	Water pump seat	Welding components	1	
32	SIC-10W-EB-A-ALL-13	Base plate	Welding components	1	

序号	代号	名称	材质	数量	备注	序号	代号	名称	材质	数量	备注
		制图				标题 SIC-10W-EB 机架		图号 SIC-10W-EB-A-ALL	比例 1:17	数量 1	
		设计							材质	Assembly	
		2024.08.29 校对							表面要求		
标记	更改前	更改后	更改人	日期	审核	日期	20230708	SHINI 信易電熱機械股份有限公司 Shini Plastics Technologies, Inc.		本图采用第一角画法	



2	SIC-15W-EB-B-ALL	Internal structure		1	
1	SIC-15W-EB-A-ALL	Rack		1	
序号	代号	名称	材质	数量	备注

					制图		版号	A	标题	SIC-15W-EB	图号	SIC-15W-EB-ALL	比例	1:20	数量	1
					设计		核 准		总 装 图				材 质	Assembly		
				2024.08.29	校对									表 面 要 求	本图采用第一角画法	
标记	更改前	更改后	更改人	日期	审核		日期	20231027	 信易電熱機械股份有限公司 Shini Plastics Technologies, Inc.							



31	SIC-15W-EB-A-ALL-10	Lower side plate	SPCC	2	
30	YW64000600300	Hexagon nut GB/T6170 M6	Longzine	8	
29	YW66061300000	Flat washer A grade GB/T97.1 6	Longzine	8	
28	YW65006000100	Standard spring washer GB/T93 6	Longzine	8	
27	YW60061500100	Hexagon screw bolt GB/T5783 M6x16	Longzine	8	
26	SIC-15W-EB-A-ALL-09	Electrical base plate	SECC	1	
25	SIC-15W-EB-A-ALL-08	Control box	SPCC	1	
24	YW62063000000	Cross recessed pan head screw M6x30	Longzine	10	
23	SIC-15W-EB-A-ALL-07	Upper Left side plate	SPCC	1	
22	SIC-15W-EB-A-ALL-06	Upper Right side plate	SPCC	1	
21	SIC-15W-EB-A-ALL-05	Rear plate	SPCC	1	
20	SIC-15A-EB-A-ALL-15	Right crossbeam	SPCC	1	Borrowed
19	SIC-15A-EB-A-ALL-14	Left crossbeam	SPCC	1	Borrowed
18	YW50121600100	1/2" L-shaped external tooth insert 16MM	CU	1	
17	YW03000400000	4" black PPR castor with brake	Assembly	2	
16	YW03000400200	4" flexible black PPR castor	Assembly	2	
15	YW66081600000	Flat washer A grade (8.4x16x16)	Longzine	36	
14	YW65008000100	Standard spring washer 8	Longzine	26	
13	YW60081600100	Hexagon screw bolt M8x16-4.8	Longzine	16	
12	SIC-15W-EB-A-ALL-04	Left front column	SPCC	1	
11	YW62051000100	Cross recessed pan head screw M5x10	Longzine	14	
10	YW06203100400	Large chain (L203-1(left))(has mould)	Aluminium alloy	2	
9	SIC-15W-EB-A-ALL-03	Door plank	SPCC	1	
8	SIC-15W-EB-A-ALL-02	Top plate	SPCC	1	
7	YW62061000000	Cross recessed pan head screw M6x10	Longzine	36	
6	YE10254000300	High voltage switch 2.5MPa open 4.0MPa closed	Assembly	1	
5	YE10050600300	Low voltage switch opens at 0.5MPa and closes at 0.6MPa	Assembly	1	
4	YW63040600000	Cross recessed pan head screw M4x6	A2-70	6	
3	YW00816100000	Door lock (MS816-1 blk.)	Assembly	2	
2	SIC-15W-EB-A-ALL-01	Meter plate	SPCC	1	
1	YE67002100000	Cable head PG21	Plastic	1	

36	SIC-5A-EB-ALL-01	Controller panel	SPCC	1	Borrowed
35	SIC-15A-EB-A-ALL-17	PVC fixed plate	SPCC	2	Borrowed
34	SIC-15A-EB-A-ALL-07	Small cover plate	SPCC	1	Borrowed
33	SIC-15W-EB-A-ALL-12	Water pump seat	Welding components	1	
32	SIC-15W-EB-A-ALL-11	Base plate	Welding components	1	
序号	代号	名称	材质	数量	备注

序号	代号	名称	材质	数量	备注
		制图			
		设计			
		校对			
		审核			
		日期			
		日期			
		标题	SIC-15W-EB 机架		
		图号	SIC-15W-EB-A-ALL		
		比例	1:20	数量	1
		表面要求	Assembly		
		本图采用第一角画法			



标记	更改前	更改后	更改人	日期	20240829	20231027
----	-----	-----	-----	----	----------	----------