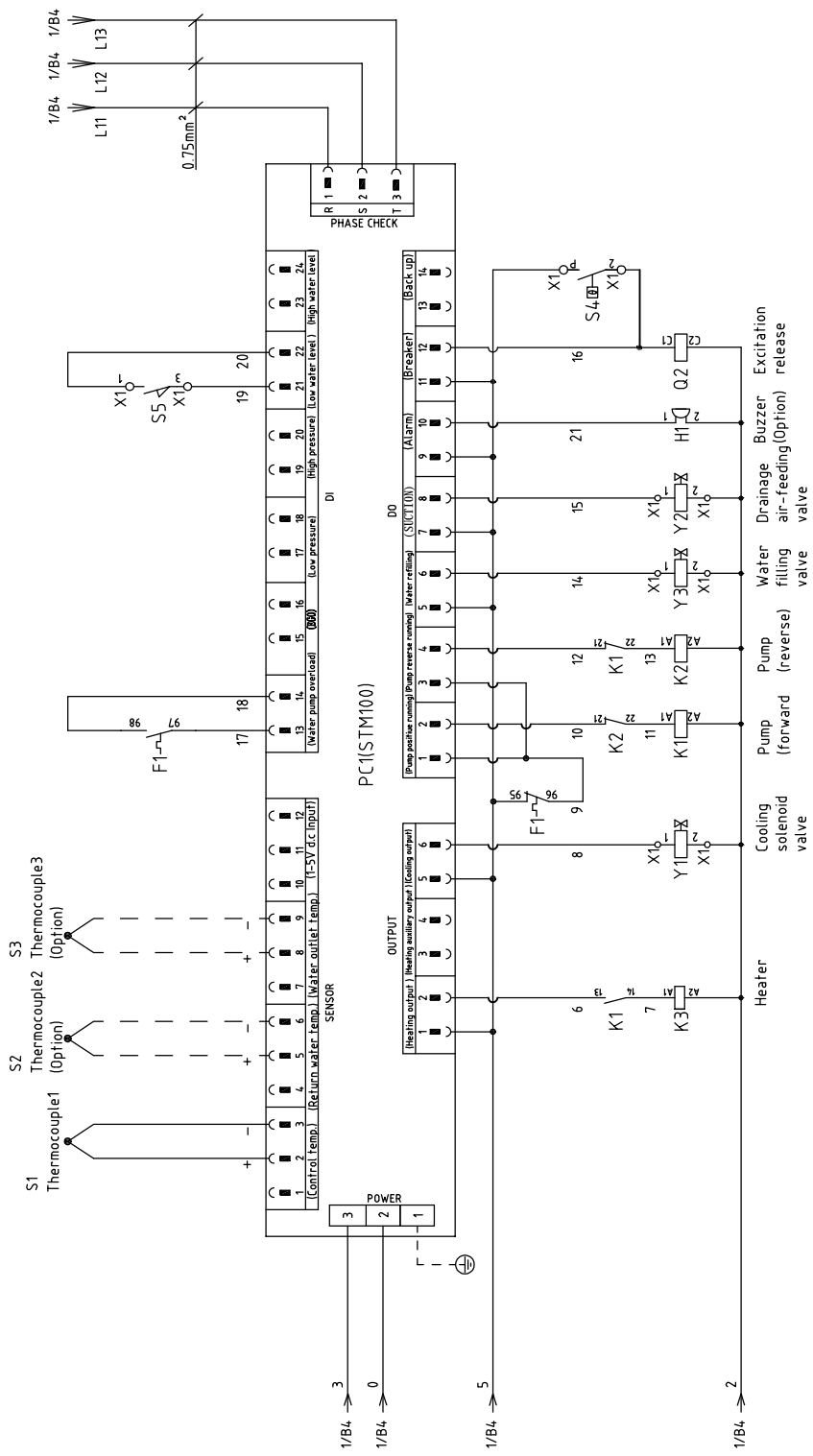


版本	Ver.F
Mark	Before modification
	After modification
	Modify date
	Checked by
	Proofofread by
	Designer
	Drawer

Version	E
Approved by	
Date	20170524
Checked by	
Proofofread by	
Designer	
Drawer	

Scale	CE	Page	1
Standard	CE	Totally	4
Voltage	400V	Pages	
Frequency	50HZ		
Title		Drawing NO.	
STM-607W/0		STM-607W/0-CE-400V-E-1	
Main Circuit Diagram			





版本 Ver.F

Scale	Page	2
Standard	Totally	4
Voltage	Frequency	400V 50Hz
Drawing NO. STM-607W/0-CE-400V-E-2		
Title STM-607W/0 Control Circuit Diagram		
Drawer	Version	E
Designer	Approved by	
Proofread by	Date	20170524
Modified by	Modify date	
Mark	Before modification	1
	After modification	2
	3	4
	5	6
	7	8



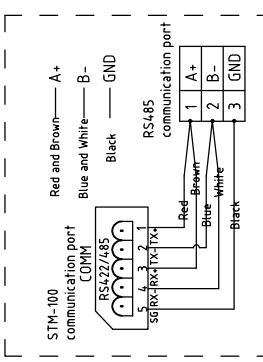
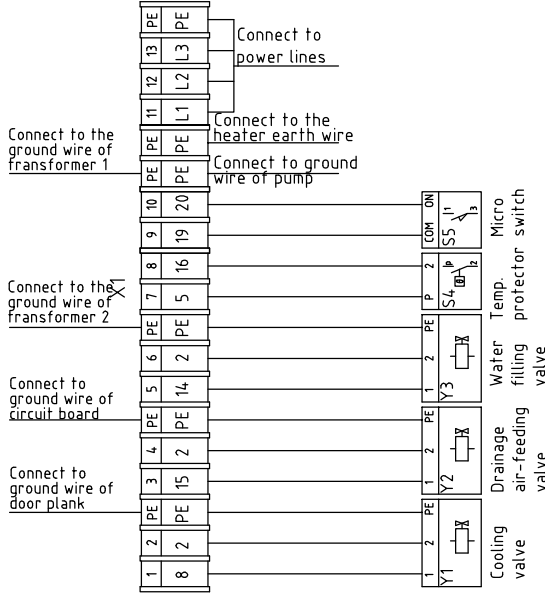
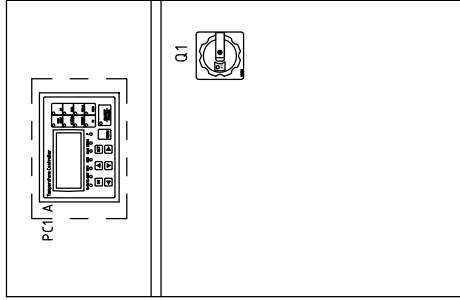
1 2 3 4 5 6 7 8

A

B

C


D



S6 RS485 Communications wiring diagram

Technical requirements: Pump and pipe heater should be directly connected to the output terminals of contactor and thermal overload relay.

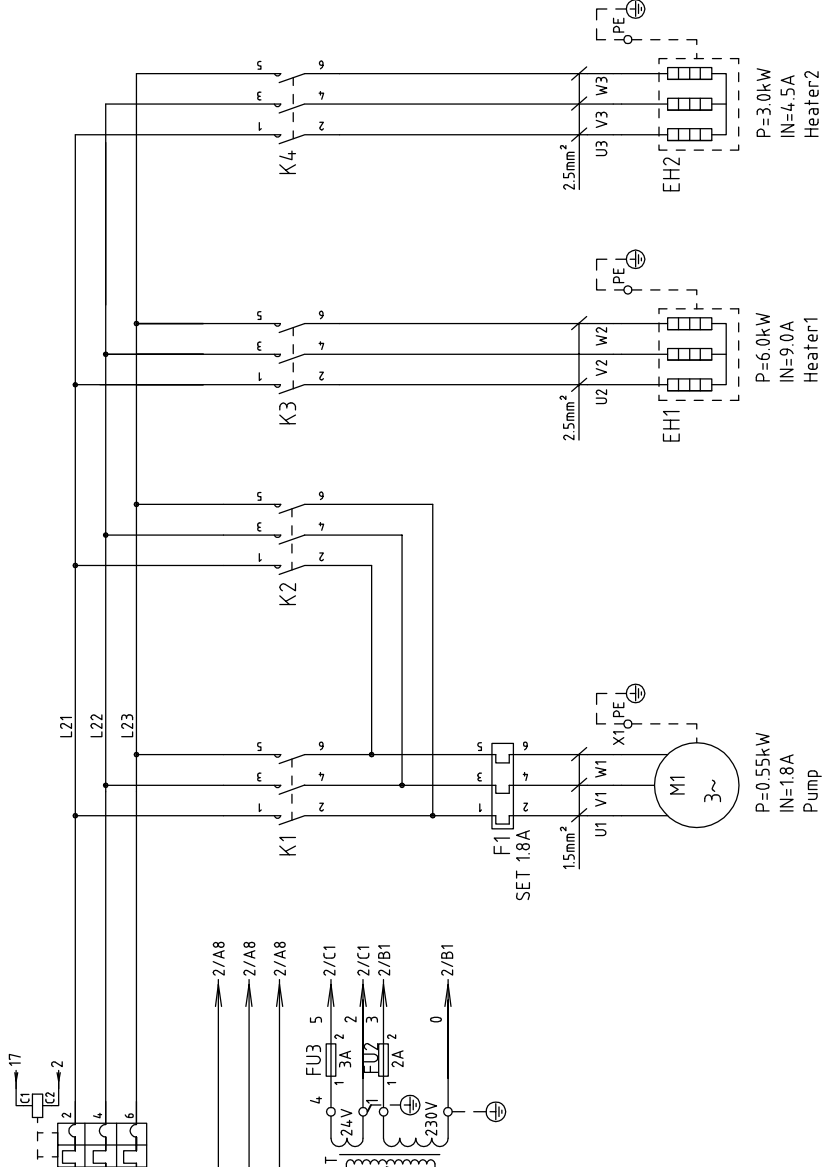
版本	Ver.F
Mark	Before modification
	After modification
	Modify date
	Checked by
	Proofread by
	Designer
	Drawer

Scale	Page 3
Standard	Totally 4
CE	Pages
Voltage	4.00V
Frequency	50Hz
Title STM-607W/O	
Drawing NO. STM-607W/O-CE-4.00V-E-3	
Electrical Components Layout	
	
信易电热机械股份有限公司	
Shini Plastics Technologies, Inc.	
Version	E
Approved by	
Date	20170524

1 2 3 4 5 6 7 8

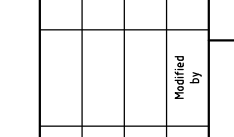
1		2		3		4		5		6		7		8	
NO.	Symbol	Name	Manufacturer	Type	Specification	Number	Material number	Remark							
1	Q1	Main Switch	EATON	T0-2-1/EA/SVB	3P/16A	1	YE10021160000								
2	Q2	Circuit Breakers	TECO	BM-63C	16A	1	YE40301603000								
3		Excitation Release	TECO	MX	24VAC	1	YE40024000000	A							
4	K1 K2	Contactors	SIEMENS	3RT6015-1AB02	24VAC	2	YE00601502600								
5		Auxiliary Contact Terminal	SIEMENS	3RH6911-1AA10	1NO	1	YE00691110000								
6	K3	Contactors	SIEMENS	3RT6018-1AB01	24VAC	1	YE00601802500								
7	F1	Overload Relays	SIEMENS	3RU6116-1CB0	1.8-2.5A	1	YE01160180000								
8	FU1	Fuse Base	CHNT	RT18-32	32A 2P	1	YE41032200000								
9		Fuse Core	MRO	10x38 500V	2A	2	YE46002000100								
10	FU2 FU3	Fuse	YINDA	FS-10	----	2	YE41001000000								
11		Fuse	----	6x30/3A	3A	1	YE46630500200	B							
12	T	Transformer	BAIYUN	IN=4.00V OUT=24VAC/230V	120VA/350mA	1	YE70040005500								
13	S1	Thermocouple	SHINI	----	----	1	----	(1)							
14	S2 S3	Thermocouple	SHINI	----	----	2	----	(2)							
15	S4	Overheat Protector	----	----	----	1	----	(1)							
16	S5	Micro-Switch	----	----	----	1	----	(1)							
17	S6	Communication interface board RS-485 (double Dsub-9pin connector)			PCS	1.000	YE90048501200								
18		Shell RS485(SAL-700G-A-19)0			PCS	1.000	YR40048500000								
19	PC1 A	Circuit Board	HANYOUNG NUX	STM100-21(With the communication)	180-4.30V 50/60Hz	1	YE81184300200	C							
20	Y1 Y2 Y3	Solenoid Valve	----	----	24VAC 50/60Hz	3	----	(1)							
21	H1	Buzzer	----	PK-35A	24VAC/DC	1	YE84003500600								
22	X1	Terminal Board	----	2.5mm ²	----	13	YE60002503200								
23		Terminal Board	----	2.5mm ² PE	----	6	YE60002503400								
24	M1	Motor	----	0.55kW	4.00V 50Hz	1	----	(1)							
25	EH1	Heater	----	6kW	4.00V 50Hz	1	----	(1)							
版本 Ver.F Notes: (1)Means it's not the material inside the control box.(2)Means equipped with function of displaying water outlet and return water temperature.															
		Title		Electrical Components List		Drawing NO.		Scale		Page		4		8	
		Version		E		STM-607W/O		STM-607W/O-CE-4.00V-E-4		CE		Voltage		4.00V	
		Designer		Approved by						Standard		Frequency		5.0Hz	
		Proofread by		Date		20170524									
Mark		Before modification		Modified by		Modify date									
1		2		3		4		5		6		7		8	



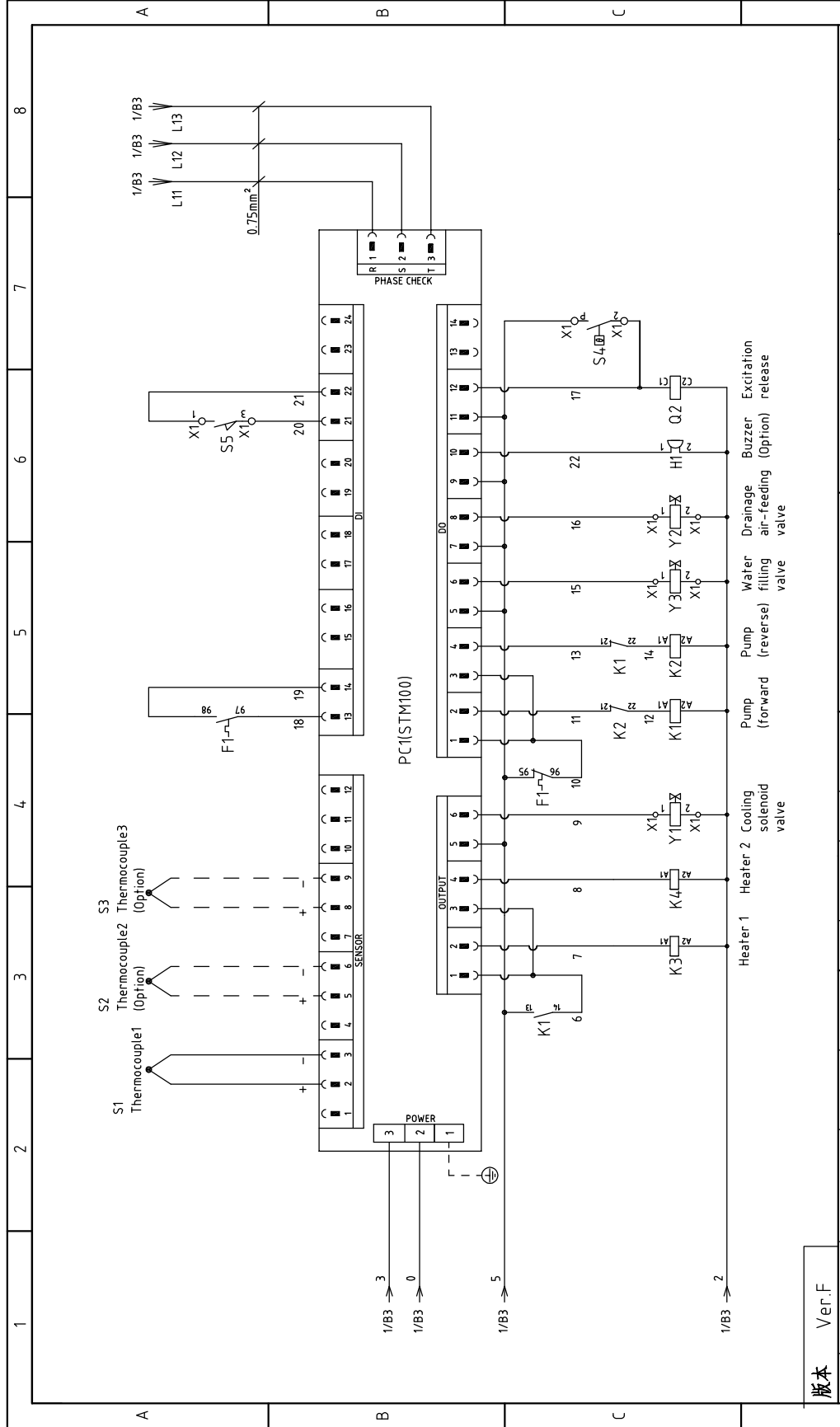


Mark	Before modification	After modification	Modify Date	Checked by	Designer	Drawer
Version	E			Approved by		
Title	STM-907W/O Main Circuit Diagram			Date	20170525	
Scale	CE			Version		
Standard	Voltage			Proofread by		
Pages	Frequency			Checked by		
Page	4.00V			Modified by		
Totally	50HZ			Modify Date		
	5			Drawn		
	1			Designer		

Drawing NO. STM-907W/O
Title Main Circuit Diagram



Version	E			Checked by		
Approved by				Checked by		
Date	20170525			Checked by		
Checked by				Checked by		
Designer				Checked by		
Drawer				Checked by		
Drawn				Checked by		
Version	E			Checked by		
Approved by				Checked by		
Date	20170525			Checked by		
Checked by				Checked by		
Designer				Checked by		
Drawer				Checked by		
Drawn				Checked by		
Version	E			Checked by		
Approved by				Checked by		
Date	20170525			Checked by		
Checked by				Checked by		
Designer				Checked by		
Drawer				Checked by		
Drawn				Checked by		
Version	E			Checked by		
Approved by				Checked by		
Date	20170525			Checked by		
Checked by				Checked by		
Designer				Checked by		
Drawer				Checked by		
Drawn				Checked by		
Version	E			Checked by		
Approved by				Checked by		
Date	20170525			Checked by		
Checked by				Checked by		
Designer				Checked by		
Drawer				Checked by		
Drawn				Checked by		
Version	E			Checked by		
Approved by				Checked by		
Date	20170525			Checked by		
Checked by				Checked by		
Designer				Checked by		
Drawer				Checked by		
Drawn				Checked by		
Version	E			Checked by		
Approved by				Checked by		
Date	20170525			Checked by		
Checked by				Checked by		
Designer				Checked by		
Drawer				Checked by		
Drawn				Checked by		
Version	E			Checked by		
Approved by				Checked by		
Date	20170525			Checked by		
Checked by				Checked by		
Designer				Checked by		
Drawer				Checked by		
Drawn				Checked by		
Version	E			Checked by		
Approved by				Checked by		
Date	20170525			Checked by		
Checked by				Checked by		
Designer				Checked by		
Drawer				Checked by		
Drawn				Checked by		
Version	E			Checked by		
Approved by				Checked by		
Date	20170525			Checked by		
Checked by				Checked by		
Designer				Checked by		
Drawer				Checked by		
Drawn				Checked by		
Version	E			Checked by		
Approved by				Checked by		
Date	20170525			Checked by		
Checked by				Checked by		
Designer				Checked by		
Drawer				Checked by		
Drawn				Checked by		
Version	E			Checked by		
Approved by				Checked by		
Date	20170525			Checked by		
Checked by				Checked by		
Designer				Checked by		
Drawer				Checked by		
Drawn				Checked by		
Version	E			Checked by		
Approved by				Checked by		
Date	20170525			Checked by		
Checked by				Checked by		
Designer				Checked by		
Drawer				Checked by		
Drawn				Checked by		
Version	E			Checked by		
Approved by				Checked by		
Date	20170525			Checked by		
Checked by				Checked by		
Designer				Checked by		
Drawer				Checked by		
Drawn				Checked by		
Version	E			Checked by		
Approved by				Checked by		
Date	20170525			Checked by		
Checked by				Checked by		
Designer				Checked by		
Drawer				Checked by		
Drawn				Checked by		
Version	E			Checked by		
Approved by				Checked by		
Date	20170525			Checked by		
Checked by				Checked by		
Designer				Checked by		
Drawer				Checked by		
Drawn				Checked by		
Version	E			Checked by		
Approved by				Checked by		
Date	20170525			Checked by		
Checked by				Checked by		
Designer				Checked by		
Drawer				Checked by		
Drawn				Checked by		
Version	E			Checked by		
Approved by				Checked by		
Date	20170525			Checked by		
Checked by				Checked by		
Designer				Checked by		
Drawer				Checked by		
Drawn				Checked by		
Version	E			Checked by		
Approved by				Checked by		
Date	20170525			Checked by		
Checked by				Checked by		
Designer				Checked by		
Drawer				Checked by		
Drawn				Checked by		
Version	E			Checked by		
Approved by				Checked by		
Date	20170525			Checked by		
Checked by				Checked by		
Designer				Checked by		
Drawer				Checked by		
Drawn				Checked by		
Version	E			Checked by		
Approved by				Checked by		
Date	20170525			Checked by		
Checked by				Checked by		
Designer				Checked by		
Drawer				Checked by		
Drawn				Checked by		
Version	E			Checked by		
Approved by				Checked by		
Date	20170525			Checked by		
Checked by				Checked by		
Designer				Checked by		
Drawer				Checked by		
Drawn				Checked by		
Version	E			Checked by		
Approved by				Checked by		
Date	20170525			Checked by		
Checked by				Checked by		
Designer				Checked by		
Drawer				Checked by		
Drawn				Checked by		
Version	E			Checked by		
Approved by				Checked by		
Date	20170525			Checked by		
Checked by				Checked by		
Designer				Checked by		
Drawer				Checked by		
Drawn				Checked by		
Version	E			Checked by		
Approved by				Checked by		
Date	20170525			Checked by		
Checked by				Checked by		
Designer				Checked by		
Drawer				Checked by		
Drawn				Checked by		
Version	E			Checked by		
Approved by				Checked by		
Date	20170525			Checked by		
Checked by				Checked by		
Designer				Checked by		
Drawer				Checked by		
Drawn				Checked by		
Version	E			Checked by		
Approved by				Checked by		
Date	20170525			Checked by		
Checked by				Checked by		
Designer				Checked by		
Drawer				Checked by		
Drawn				Checked by		
Version	E			Checked by		
Approved by				Checked by		
Date	20170525			Checked by		
Checked by				Checked by		
Designer				Checked by		
Drawer				Checked by		
Drawn				Checked by		
Version	E			Checked by		
Approved by				Checked by		
Date	20170525			Checked by		
Checked by				Checked by		
Designer				Checked by		
Drawer				Checked by		
Drawn				Checked by		
Version	E			Checked by		
Approved by				Checked by		
Date	20170525			Checked by		
Checked by				Checked by		
Designer				Checked by		
Drawer				Checked by		
Drawn				Checked by		
Version	E			Checked by		
Approved by				Checked by		
Date	20170525			Checked by		
Checked by				Checked by		
Designer				Checked by		
Drawer				Checked by		
Drawn				Checked by		
Version	E			Checked by		
Approved by				Checked by		
Date	20170525			Checked by		
Checked by				Checked by		
Designer				Checked by		
Drawer				Checked by		
Drawn				Checked by		
Version	E			Checked by		
Approved by				Checked by		
Date	20170525			Checked by		
Checked by				Checked by		
Designer				Checked by		
Drawer				Checked by		
Drawn				Checked by		
Version	E			Checked by		
Approved by				Checked by		
Date	20170525			Checked by		
Checked by				Checked by		
Designer				Checked by		
Drawer				Checked by		
Drawn				Checked by		
Version	E			Checked by		
Approved by				Checked by		
Date	20170525			Checked by		
Checked by				Checked by		
Designer				Checked by		
Drawer				Checked by		
Drawn				Checked by		
Version	E			Checked by		
Approved by				Checked by		
Date	20170525			Checked by		
Checked by				Checked by		
Designer				Checked by		
Drawer				Checked by		
Drawn				Checked by		
Version	E			Checked by		
Approved by				Checked by		
Date	20170525			Checked by		
Checked by				Checked by		
Designer				Checked by		
Drawer				Checked by		
Drawn				Checked by		
Version	E			Checked by		
Approved by				Checked by		
Date	20170525			Checked by		
Checked by				Checked by		
Designer				Checked by		
Drawer				Checked by		
Drawn				Checked by		
Version	E			Checked by		
Approved by				Checked by		
Date	20170525			Checked by		
Checked by				Checked by		
Designer						



版本 Ver.F

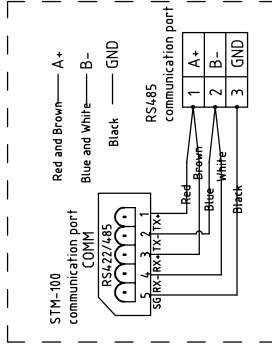
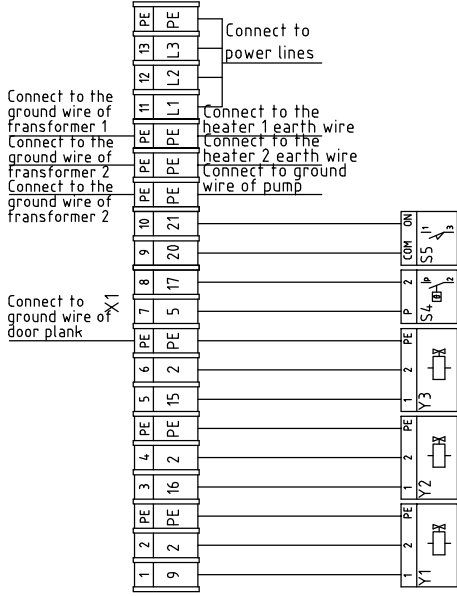
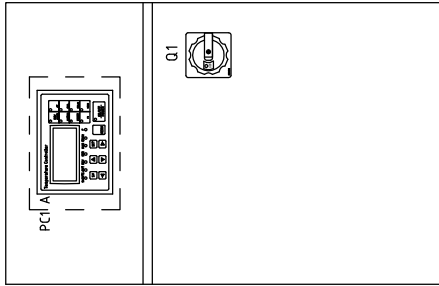
Title		STM-907W/0		Drawing NO.		STM-907W/0-CE-4.00V-E-2	
Version		E		Scale		Standard CE	
Designer		Approved by		Page		Page 2	
Proofread by		Date		Standard		Voltage	
Checked by		20170525		Frequency		4.00V	
Modified by		Modify date		Standard		Frequency	
Before modification		After modification		Voltage		4.00V	
Mark		Date		Frequency		50Hz	
1		2		3		4	
5		6		7		8	
SHINI		信易电热机械股份有限公司		Shini Plastics Technologies, Inc.		Totally 5	

A

B

C


D



S6 RS485 Communications wiring diagram


Technical requirements: Pump and pipe heater should be directly connected to the output terminals of contactor and thermal overload relay.

版本 Ver.F

Mark	Before modification	After modification	Modify date	Date	20170525	 信易塑料机械股份有限公司 Shini Plastics Technologies, Inc.		Drawing No. STM-907W/O-CE-400V-E-3	Scale CE	Page 3
Designer	Proofread by	Checked by	Approved by	Title STM-907W/O Electrical Components Layout		Standard CE	Voltage 400V	Frequency 50Hz	Totaly 5	Pages 5

1	2		3	4	5	6	7	8
NO.	Symbol	Name	Manufacturer	Type	Specification	Number	Material number	Remark
1	Q1	Main Switch	EATON	P1-25/EA/SVB	25A	1	YE10125250000	
2	Q2	Circuit Breakers	TECO	BM-63C	25A	1	YE40302503000	
3		Excitation Release	TECO	MX	24VAC	1	YE40024000000	A
4	K1 K2	Contactors	SIEMENS	3RT6015-1AB02	24VAC	2	YE00601502600	
5		Auxiliary Contact Terminal	SIEMENS	3RH6911-1AA10	1NO	1	YE00691100000	
6	K3	Contactors	SIEMENS	3RT6018-1AB01	24VAC	1	YE00601802500	
7	K4	Contactors	SIEMENS	3RT6016-1AB01	24VAC	1	YE00601602500	
8	F1	Overload Relays	SIEMENS	3RU6116-1CB0	1.8-2.5A	1	YE01160180000	
9	FU1	Fuse Base	CHINT	RT18-32	32A 2P	1	YE41032200000	
10		Fuse Core	MRO	10×38 500V	2A	2	YE46002000100	
11	FU2 FU3	Fuse	YINDA	FS-10	----	2	YE41001000000	B
12		Fuse	----	6×30/3A	3A	1	YE46630500200	
13	T	Transformer	BAIYUN	IN=400V OUT=24VAC/230V	120VA/350mA	1	YE70040005500	
14	S1	Thermocouple	SHINI	----	----	1	----	(1)
15	S2 S3	Thermocouple	SHINI	----	----	2	----	(2)
16	S4	Overheat Protector	----	----	----	1	----	(1)
17	S5	Micro-Switch	----	----	----	1	----	(1)
18	S6	Communication interface board RS-485 (double Dsub-9pin connector)	----	----	PCS	1.000	YE9004.8501200	
19	PC1 A	Shell RS485(SAL-700G-A-1910)	----	----	PCS	1.000	YR4004.8500000	C
20		Circuit Board	HANYOUNGUX	STM100-21	180-4.30V 50/60Hz	1	YE81184.300200	
21	Y1 Y2 Y3	Solenoid Valve	----	----	24VAC 50/60Hz	3	----	(1)
22	X1	Terminal Board	----	2.5mm ²	----	10	YE60002503200	
23		Terminal Board	----	2.5mm ² PE	----	6	YE60002503400	
24		Terminal Board	----	4.0mm ²	----	3	YE60000403200	
25		Terminal Board	----	4.0mm ² PE	----	1	YE60000403500	
概本 Ver.F Notes: (1)Means it's not the material inside the control box (2)Means equipped with function of displaying water outlet and return water temperature.								
				E	Title	Drawing NO.	Scale	Page
				Version	STM-907W/O	STM-907W/O-CE-400V-E-4	Standard	4
				Designer	Electrical Components List 1		CE	5
				Proofread by			Voltage	4.00V
				Checked by	Date	20170525	Frequency	50Hz
				Modified by	Modify date			
				Before modification				
				After modification				
				Mark				



1		2		3		4		5		6		7		8	
No.	Symbol	Name	Manufacturer	Type	Specification	Number	Material number	Remark							
26	H1	Buzzer	----	PK-35A	24VAC/DC	1	YE84003500600								
27	M1	Motor	----	----	400V 50Hz 0.55kW	1	----	(1)							
28	EH1	Heater	----	----	400V 50Hz 6kW	1	----	(1)							
29	EH2	Heater	----	----	400V 50Hz 3kW	1	----	(1)							
									A						
									B						
									C						
									D						
版本 Ver.F Notes: (1)Means it's not the material inside the control box.(2)Means equipped with function of displaying water outlet and return water temperature.															
				Title		Version		E		Drawing NO.		Scale		Page	
				STM-907W/O		Electrical Components List 2		STM-907W/O-CE-400V-E-5		Standard		CE		Page 5	
				Designer		Approved by		Date		Voltage		Frequency		Totally 5 Pages	
				Proofread by		Checked by		Date		400V		50Hz		5	
				Modified by		Modify date		20170525							
				Before modification		After modification									
 SHINI 信易电热机械股份有限公司 Shini Plastics Technologies, Inc.															
1 2 3 4 5 6 7 8															