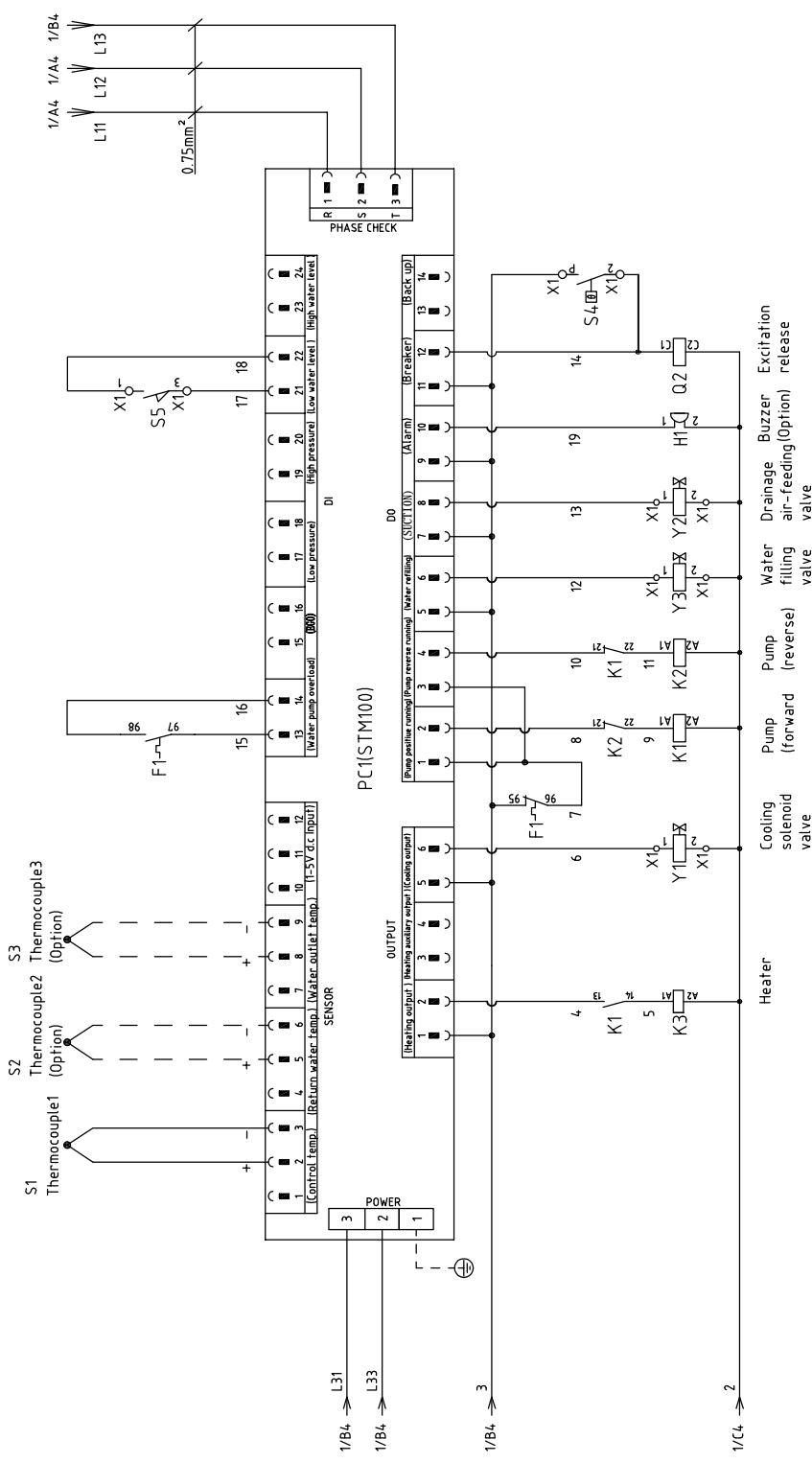


版本 Ver.F

D		Drawing NO.		Page 1	
Title		STM-607W/O		Scale	
Main Circuit Diagram		STM-607W/O-CE-230V-E-1		Standard	
E		Version		Voltage	
Approved by		Approved by		CE	
Date		Date		Frequency	
20170524		20170524		230V	
Mark		Before modification		Frequency	
After modification		Modify Date		50HZ	
1		3		7	
2		4		8	

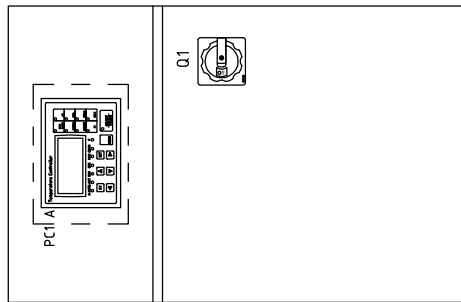
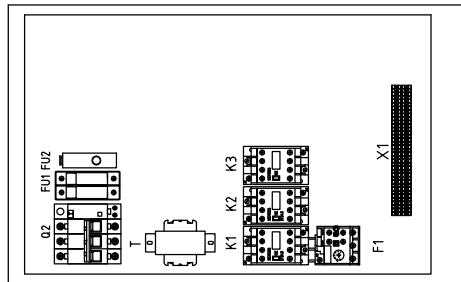
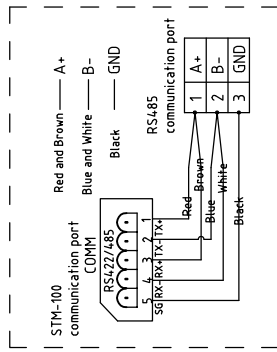
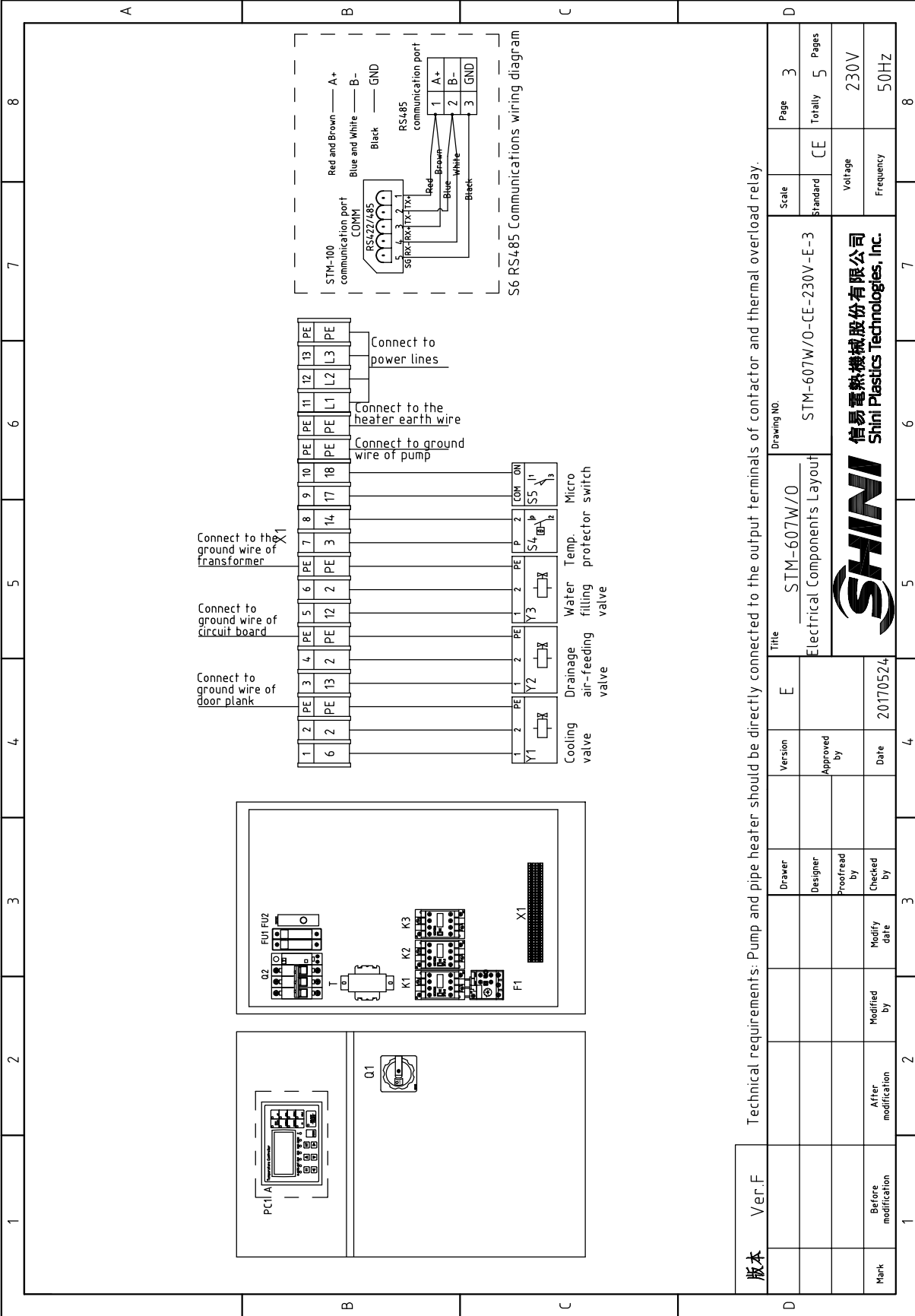




版本 Ver.F

Mark	Before modification	Modified by	Modify date	Checked by	Date	20170524
Designer	Proofread by	Approved by	Version	E		
Title			STM-607W/O Control Circuit Diagram			
Drawing NO.			STM-607W/O-CE-Z30V-E-2			
Scale	Page	2	Standard	CE	Totally	5
Standard	CE	Pages	Voltage		230V	
Frequency		50Hz				




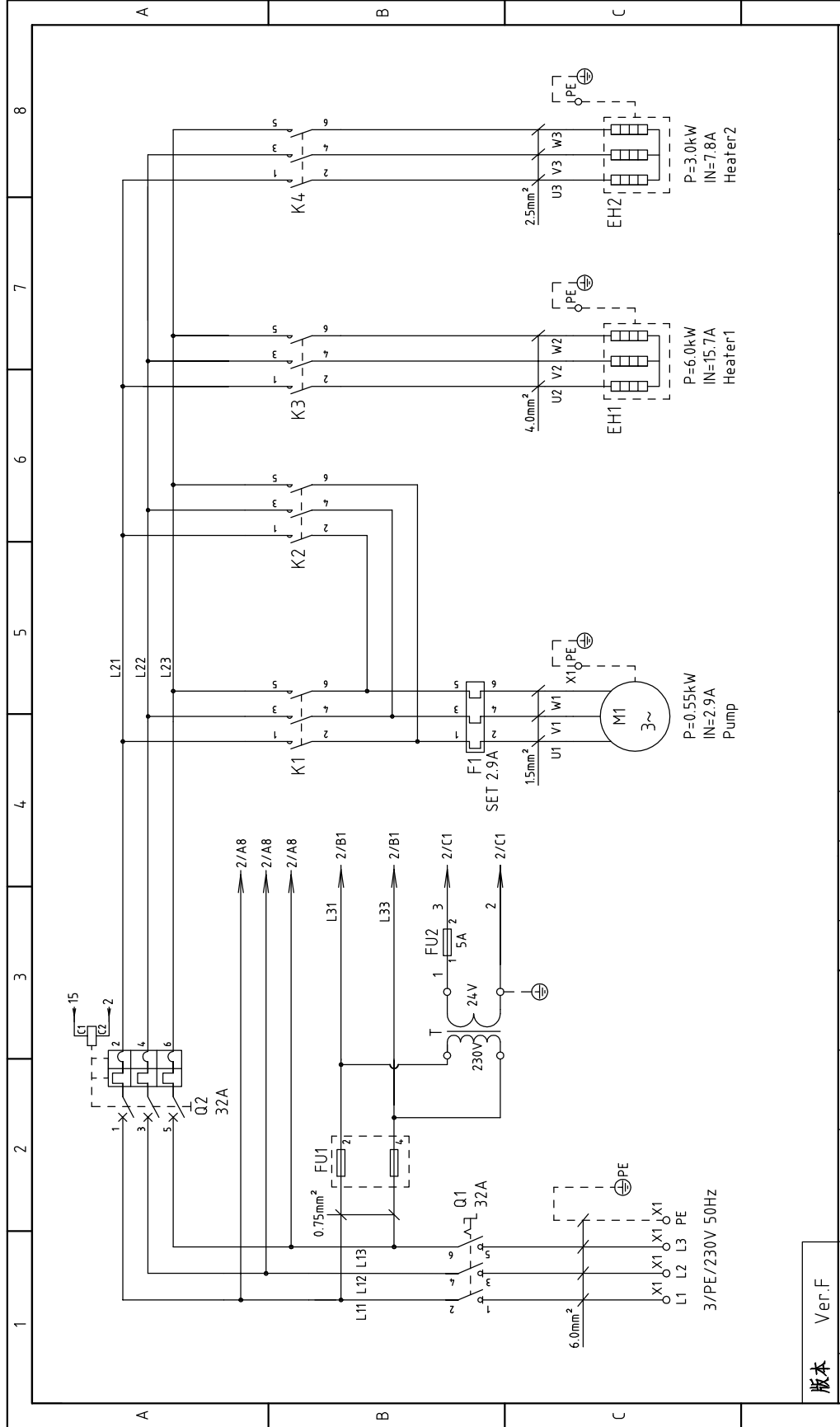


Technical requirements: Pump and pipe heater should be directly connected to the output terminals of contactor and thermal overload relay.

版本 Ver.F	Version	STM-607W/O	Scale	Page	3
	Designer	Electrical Components Layout	Standard	Totally	5 Pages
Mark	After modification	20170524	Voltage	230V	
	Modify date		Frequency	50Hz	
Title		STM-607W/O	Drawing NO.		
E			STM-607W/O-CE-230V-E-3		
Approved by			CE		
Checked by			SHINI 信易塑料机械股份有限公司 Shini Plastics Technologies, Inc.		
Date		20170524	5 6 7 8		
1		2	3		4

1		2		3		4		5		6		7		8	
NO.	Symbol	Name	Manufacturer	Type	Specification	Number	Material number	Remark							
1	Q1	Main Switch	EATON	P1-25/EA/SVB	25A	1	YE10125250000								
2	Q2	Circuit Breakers	TECO	BM-63C/3025S	25A	1	YE40302503000								
3		Excitation Release	TECO	MX	24VAC	1	YE40024000000	A							
4	K1 K2	Contactors	SIEMENS	3RT6015-1AB02	24VAC	2	YE00601502600								
5		Auxiliary Contact Terminal	SIEMENS	3RH6911-1AA10	1NO	1	YE00691110000								
6	K3	Contactors	SIEMENS	3RT6026-1AC20	24VAC	1	YE00602602600								
7	F1	Overload Relays	SIEMENS	3RU6116-1EB0	2.8-4A	1	YE01160280000								
8	FU1	Fuse Base	CHNT	RT18-32	32A 2P	1	YE41032200000								
9		Fuse Core	MRO	10x38 500V	2A	2	YE46002000100								
10	FU2	Fuse	YINDA	FS-10	----	1	YE41001000000								
11		Fuse	----	6x30/5A	5A	1	YE46630500100	B							
12	T	Transformer	BAIYUN	IN=230V OUT=24VAC	120VA	1	YE70023005500								
13	S1	Thermocouple	SHINI	----	----	1	----	(1)							
14	S2 S3	Thermocouple	SHINI	----	----	2	----	(2)							
15	S4	Overheat Protector	----	----	----	1	----	(1)							
16	S5	Micro-Switch	----	----	----	1	----	(1)							
17	S6	Communication interface board RS-485 (double DSub-9pin connector)	----	----	PCS	1.000	YE90048501200								
18		Shell RS485(SAL-700G-A-1910)	----	----	PCS	1.000	YR40048500000								
19	PC1 A	Circuit Board	HANYOUNG NUX	STM100-21(with the communication)	180-4.30V 50/60Hz	1	YE81184.300200	C							
20	Y1 Y2 Y3	Solenoid Valve	----	----	24VAC 50/60Hz	3	----	(1)							
21	H1	Buzzer	----	PK-35A	24VAC/DC	1	YE84003500600								
22	X1	Terminal Board	----	2.5mm ²	----	10	YE60002503200								
23		Terminal Board	----	2.5mm ² PE	----	4	YE60002503400								
24		Terminal Board	----	4mm ²	----	3	YE600000403200								
25		Terminal Board	----	4mm ² PE	----	2	YE600000403500								
Ver.F		Notes: (1)Means it's not the material inside the control box.(2)Means equipped with function of displaying water outlet and return water temperature.													
D		Title		Drawing NO.		Scale		Page		Standard		Voltage		Pages	
		STM-607W/O		STM-607W/O-CE-230V-E-4		CE		4		CE		230V		5	
Mark		Before modification		Modified by		Modify date		Checked by		Date		SHINI		Shini Plastics Technologies, Inc.	
1												20170524		8	

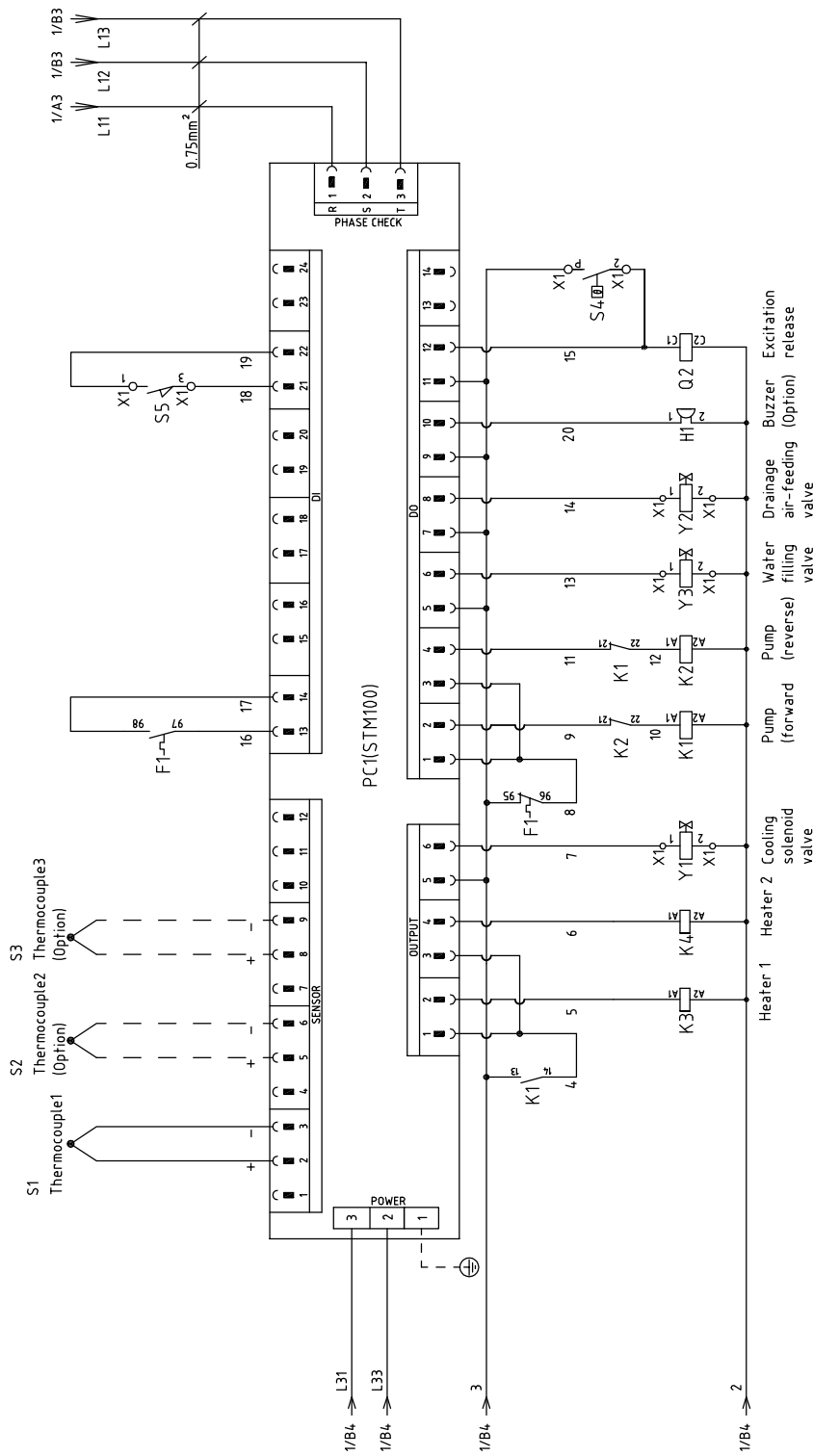
1		2		3		4		5		6		7		8	
No.	Symbol	Name	Manufacturer	Type	Specification	Number	Material number	Remark							
26	M1	Motor	----	0.55kW	230V 50Hz	1	----	(1)							
27	EH1	Heater	----	6kW	230V 50Hz	1	----	(1)							
A															
B															
C															
D															
版本 Ver.F Notes: (1)Means it's not the material inside the control box.(2)Means equipped with function of displaying water outlet and return water temperature.															
		Title		Version		E		Drawing NO.		Scale		Page		5	
		Electrical Components List 2		STM-607W/O		STM-607W/O-CE-230V-E-5		Standard		CE		Voltage		230V	
		Designer		Approved by		Date		20170524		Frequency		50Hz			
Mark		Before modification		After modification		Modify date									
 信易电热机械股份有限公司 Shini Plastics Technologies, Inc.															
1 2 3 4 5 6 7 8															




版本 Ver.F

Mark		Before modification	After modification	Modify Date	Checked by	Designer	Drawer	Version	E	Title	Drawing NO.	Scale	Page 1
										STM-907W/O Main Circuit Diagram	STM-907W/O-CE-230V-E-1	CE	Page 1
Before modification													Totally 5
After modification													Pages
													230V
													50HZ





版本 Ver.F

Mark	Before modification	Modified by	Modify date	Checked by	Date	20170525	 信易塑料机械股份有限公司 Shini Plastics Technologies, Inc.	Control Circuit Diagram	Drawing NO. STM-907W/O-CE-Z30V-E-2	Scale	Page
	After modification							Standard	CE	Standard	2
											Totally
											5
											Pages
											230V
											50Hz

1	2		3	4	5	6	7	8	
NO.	Symbol	Name	Manufacturer	Type	Specification	Number	Material number	Remark	
1	Q1	Main Switch	EATON	P1-32/EA/SVB	32A	1	YE10323200000		
2	Q2	Circuit Breakers	TECO	BM-63C/3032S	32A	1	YE40303203000		
3		Excitation Release	TECO	MX	24VAC	1	YE40024000000	A	
4	K1 K2	Contactors	SIEMENS	3RT6015-1AB02	24VAC	2	YE00601502600		
5		Auxiliary Contact Terminal	SIEMENS	3RH6911-1AA10	1NO	1	YE00691100000		
6	K3	Contactors	SIEMENS	3RT6026-1AC20	24VAC	1	YE00602602600		
7	K4	Contactors	SIEMENS	3RT6017-1AB01	24VAC	1	YE00601702500		
8	F1	Overload Relays	SIEMENS	3RU6116-1EB0	2.8-4A	1	YE01160280000		
9	FU1	Fuse Base	CHINT	RT18-32	32A 2P	1	YE41032200000		
10		Fuse Core	MRO	10×38 500V	2A	2	YE46002000100		
11	FU2	Fuse	YINDA	FS-10	----	1	YE41001000000	B	
12		Fuse	----	6×30/5A	5A	1	YE46630500100		
13	T	Transformer	BAIYUN	IN=230V OUt=24VAC	120VA	1	YE70023005500		
14	S1	Thermocouple	SHINI	----	----	1	----	(1)	
15	S2 S3	Thermocouple	SHINI	----	----	2	----	(2)	
16	S4	Overheat Protector	----	----	----	1	----	(1)	
17	S5	Micro-Switch	----	----	----	1	YE14152400000	(1)	
18	S6	Communication interface board RS-485 (double Dsub-9pin connector)	----	----	PCS	1.000	YE9004.8501200		
19	PC1 A	Shell RS485(SAL-700G-A-19)0	HANYOUNG NUX	STM100-21	PCS	1.000	YR4004.8500000	C	
20	Y1 Y2 Y3	Solenoid Valve	----	----	180-4.30V 50/60Hz	1	YE81184.300200		
21	X1	Terminal Board	----	2.5mm ²	24VAC 50/60Hz	3	----	(1)	
22		Terminal Board	----	2.5mm ² PE	----	10	YE60002503200		
23		Terminal Board	----	4.0mm ² PE	----	5	YE60002503400		
24		Terminal Board	----	6.0mm ²	----	1	YE60000403500		
25		Terminal Board	----	----	----	3	YE60000603200		
D		Ver.F	Notes: (1)Means it's not the material inside the control box.(2)Means equipped with function of displaying water outlet and return water temperature.						
		Drawer	Version	Title		Drawing NO.		Page	
		Designer	Approved by	STM-907W/O		STM-907W/O-CE-230V-E-4		4	
		Proofread by		Electrical Components List 1		Standard		Totally	
		Checked by	Date	SHINI		CE		5	
		Modified by	20170525	信易電熱機械股份有限公司		Voltage		230V	
Mark		Before modification		Shini Plastics Technologies, Inc.		Frequency		50Hz	
1	2	3	4	5	6	7	8		

1		2		3		4		5		6		7		8	
NO.	Symbol	Name	Manufacturer	Type	Specification	Number	Material number	Remark							
26		Terminal Board	----	6.0mm ² PE	----	1	YE60000603500								
27	H1	Buzzer	----	PK-35A	24VAC/DC	1	YE84003500600								
28	M1	Motor	----	----	230V 50Hz 0.55kW	1	----	(1)							
29	EH1	Heater	----	----	230V 50Hz 6kW	1	----	(1)							
30	EH2	Heater	----	----	230V 50Hz 3kW	1	----	(1)							
A															
B															
C															
D															
版本 Ver.F Notes: (1)Means it's not the material inside the control box.(2)Means equipped with function of displaying water outlet and return water temperature.															
				Title		Version		E		Drawing NO.		Scale		Page	
				STM-907W/O		Electrical Components List 2		STM-907W/O-CE-230V-E-5		Standard		CE		Totally 5 Pages	
				Designer		Proofread by		Approved by		Date		Voltage		Frequency	
				Modified by		Modify date		Checked by		Date		20170525		230V	
				Before modification		After modification		SHINI		信易电热机械股份有限公司 Shini Plastics Technologies, Inc.		Frequency		50Hz	
1															
2															
3															
4															
5															
6															
7															
8															