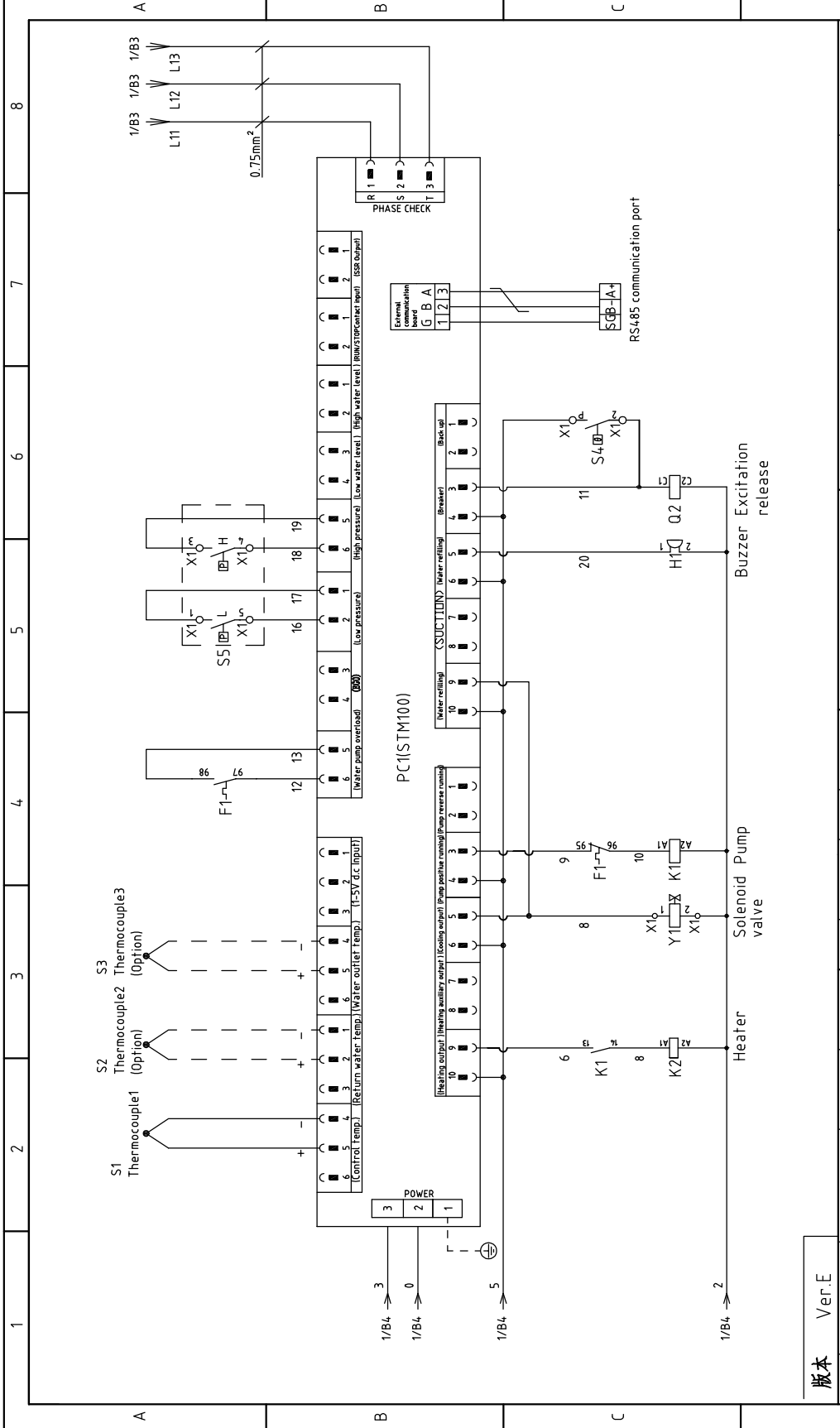


版本 Ver.E

Mark	Before modification	Modified by	Date	20170424	Checked by	Approved by	Version	E	Title	Drawing NO.		Page
	After modification	Modify Date	20170424	STM-607WF-CE-400V-E-1						Standard	CE	
										Voltage		4.00V
										Frequency		50Hz

SHINI
信易電熱機械股份有限公司
Shini Plastics Technologies, Inc.



版本 Ver.E

Mark	Before modification	Modified by	20170424	Date	Approved by	Version	E	Title	Drawing NO.	
	After modification	Modify date	20170424						STM-607WF	STM-607WF-CE-400V-E-2
Page	Before modification	Modified by	20170424	Date	Approved by	Version	E	Title	Scale	Page
	After modification	Modify date	20170424						Standard	2
Frequency	Before modification	Modified by	20170424	Date	Approved by	Version	E	Title	Standard	Totally
	After modification	Modify date	20170424						CE	4
Voltage	Before modification	Modified by	20170424	Date	Approved by	Version	E	Title	Voltage	Pages
	After modification	Modify date	20170424						400V	4
									Frequency	8
									Frequency	50HZ



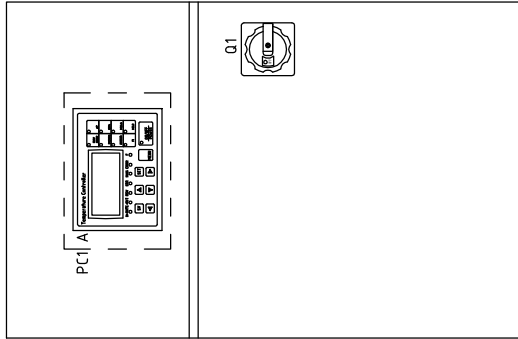
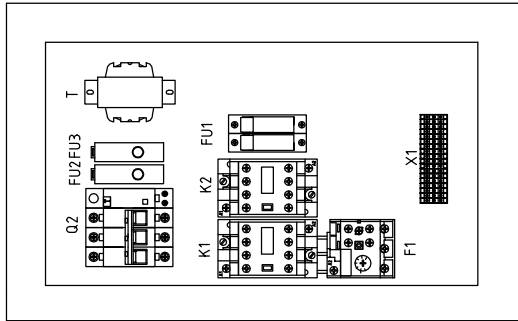
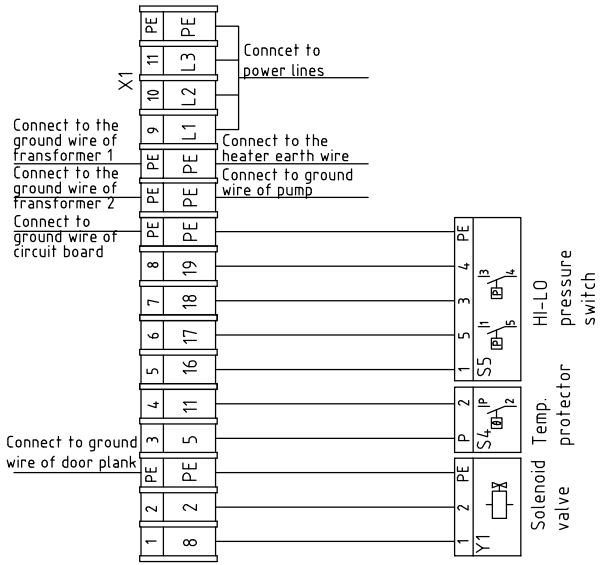
1 2 3 4 5 6 7 8

A

B

C

D



Technical requirements: Pump and pipe heater should be directly connected to the output terminals of contactor and thermal overload relay.

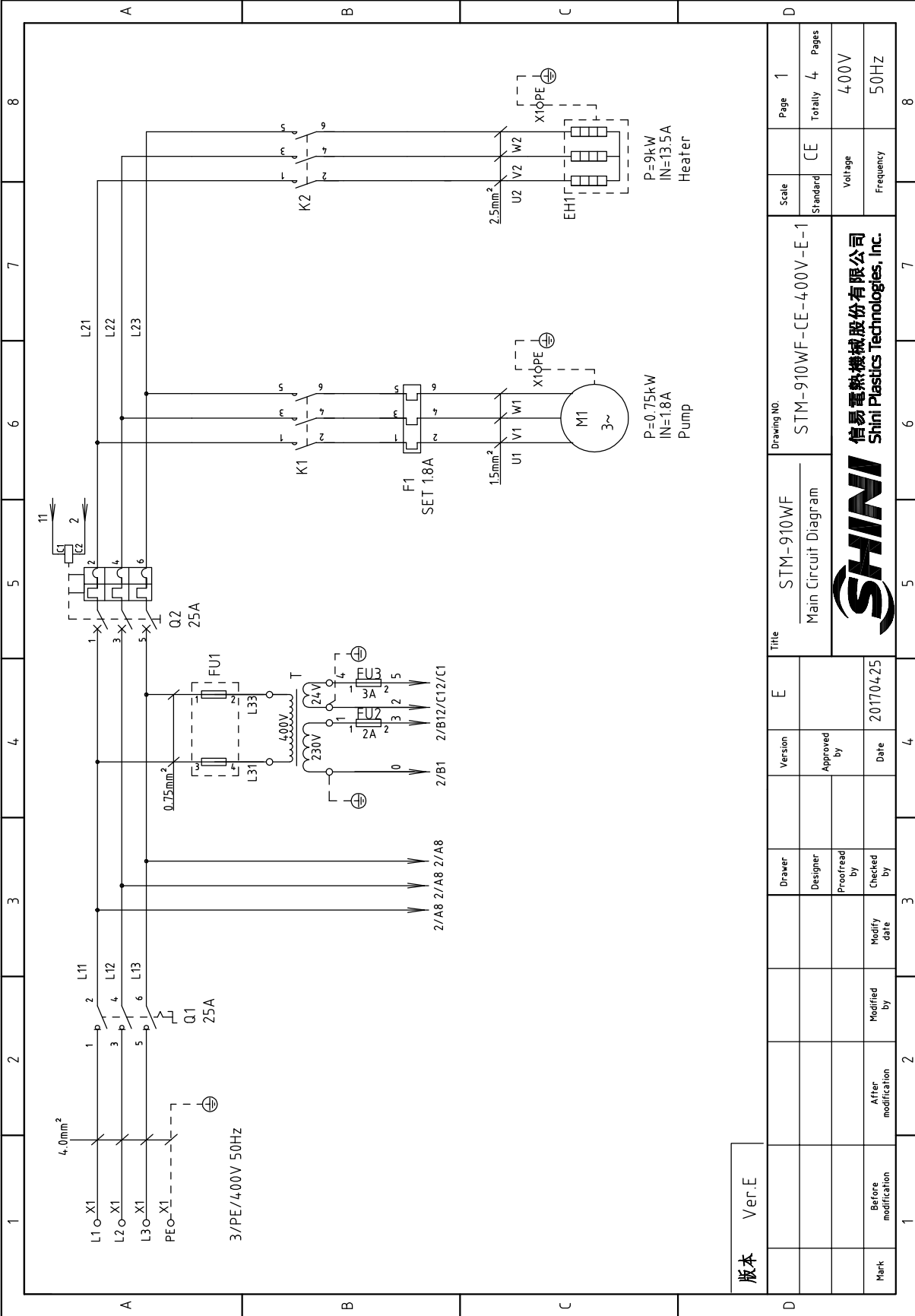
版本 Ver.E

Mark	Before modification	After modification	Modified by	Modify date	Checked by	Date	20170424
Designer	Proofread by	Approved by	Version	E	Drawer	Version	
Title				STM-607WF			
Drawing NO.				STM-607WF-CE-400V-E-3			
Electrical Components Layout				Scale			
Standard				CE			
Voltage				400V			
Frequency				50HZ			
Page				3			
Totally				4			
Pages				400V			



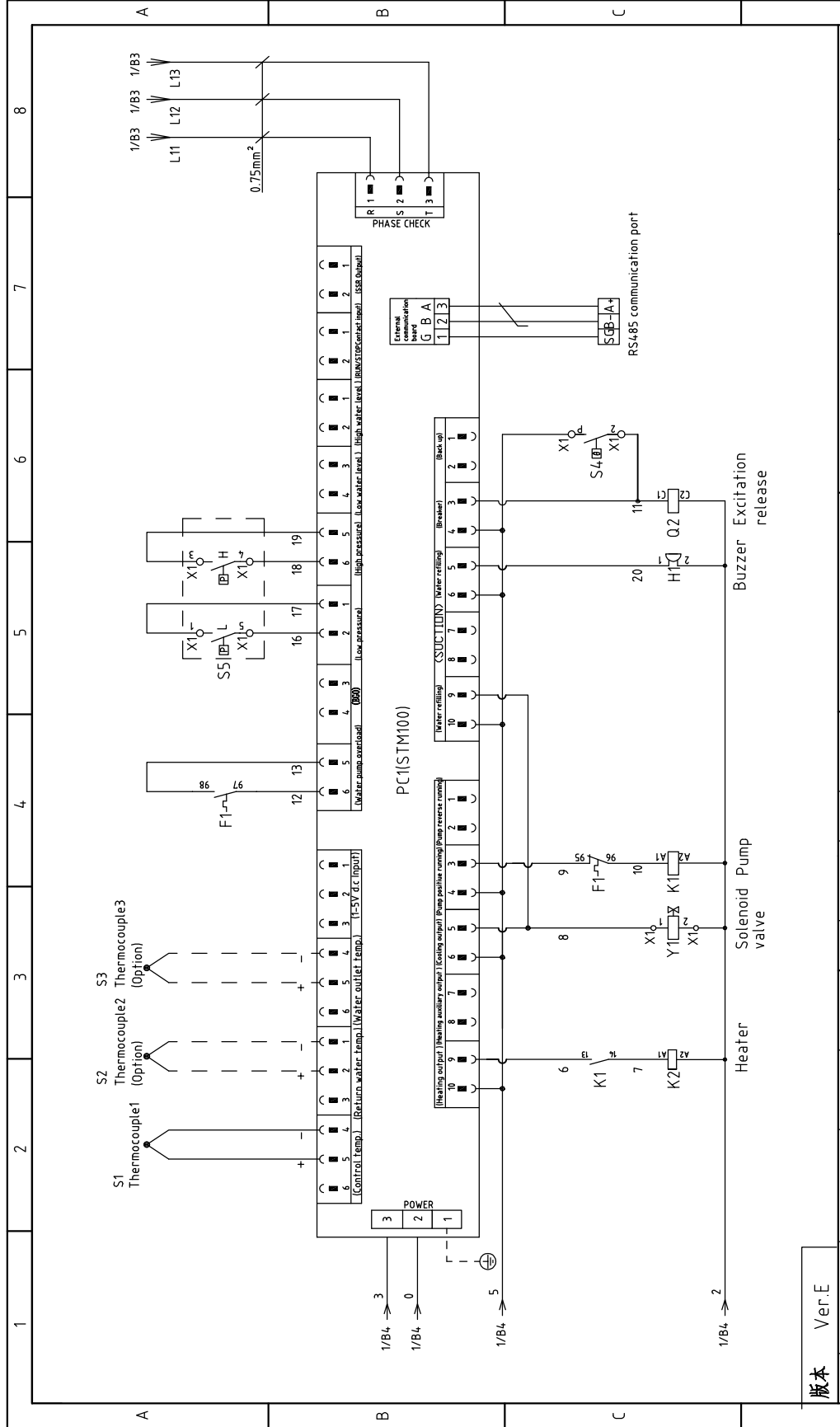
1 2 3 4 5 6 7 8

1	2		3	4	5	6	7	8
NO.	Symbol	Name	Manufacturer	Type	Specification	Number	Material number	Remark
1	Q1	Main Switch	EATON	T0-2-1/EA/SVB	16A	1	YE10021160000	
2	Q2	Circuit Breakers	TECO	BM-63C	16A	1	YE40301603000	
3		Excitation Release	TECO	MX	24VAC	1	YE40024000000	A
4	K1	Contactors	SIEMENS	3RT6015-1AB01	24VAC	1	YE00601502500	
5	K2	Contactors	SIEMENS	3RT6018-1AB01	24VAC	1	YE00601802500	
6	F1	Overload Relays	SIEMENS	3RU6116-1AB0	1.1-1.6A	1	YE01160110000	
7	FU1	Fuse Base	CHNT	RT18-32	32A 2P	1	YE41032200000	
8		Fuse Core	MRO	10×38 500V	2A	2	YE46002000100	
9	FU2 FU3	Fuse	YINDA	FS-10	----	2	YE41001000000	
10		Fuse	----	6×30/3A	3A	1	YE46630500200	
11	T	Transformer	BIAYUN	IN=4.00V OUT=24VAC/230V	120VA/350mA	1	YE7004.0005500	B
12	S1	Thermocouple	SHINI	----	K	1	----	(1)
13	S2 S3	Thermocouple	SHINI	----	K	2	----	(1)(2)
14	S4	Overheat Protector	----	----	----	1	----	(1)
15	S5	HI-LO pressure switch	FENSHEN	P830HLM	H5-30bar L:-0.7-6bar	1	----	(1)
16	PC1 A	Circuit Board	YUYUN	TM-01-220VAC(含通讯)	180-4.30V 50/60Hz	1	YE81012200300	
17	H1	Buzzer	----	PK-35A	24VAC/DC	1	YE84003500600	
18	Y1	Solenoid Valve	----	----	24VAC	1	----	(1)
19	X1	Terminal Board	----	2.5mm ²	----	11	YE60002503200	
20		Terminal Board	----	2.5mm ² PE	----	5	YE60002503400	
21	M1	Motor	SHINI	----	400V 50Hz 0.55kW	1	----	(1)
22	EH	Heater	SHINI	6kW	400V 50Hz	1	----	(1)
Ver.E Notes: (1)Means it's not the material inside the control box.(2)Means equipped with function of displaying water outlet and return water temperature.								
D				Title		Scale		Page
				STM-607WF		STM-607WF-CE-400V-E-4		4
				Electrical Components List		Standard		CE
				SHINI		Voltage		4.00V
				信易塑料机械股份有限公司 Shini Plastics Technologies, Inc.		Frequency		50Hz
1	2		3	4	5	6	7	8



版本 Ver.E

Mark	Before modification	Modified by	Modify Date	Checked by	Date	Approved by	Version	E	Title	Drawing No.	Scale	Page
	After modification										Standard	Totally
STM-910WF-CE-400V-E-1										CE	1	
Main Circuit Diagram										Voltage	400V	
SHINI 信易电热机械股份有限公司 Shini Plastics Technologies, Inc.										Frequency	50Hz	
										Standard	4	
										Pages	8	



版本 Ver.E

Drawing No.		STM-910WF-CE-400V-E-2	
Title		Control Circuit Diagram	
Scale	Page 2	Version	E
Standard	CE	Designer	
Voltage	400V	Proofread by	
Frequency	50Hz	Approved by	
Totaly 4		Checked by	20170425
Pages		Modified by	
400V		Modify date	
50Hz		Before modification	
8		Mark	



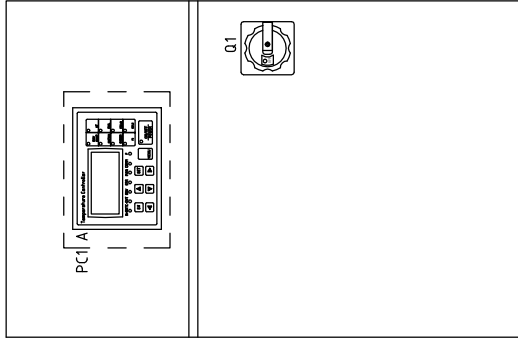
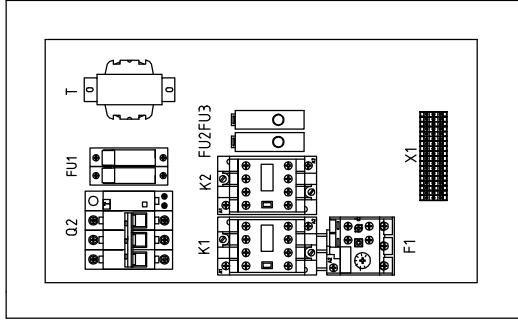
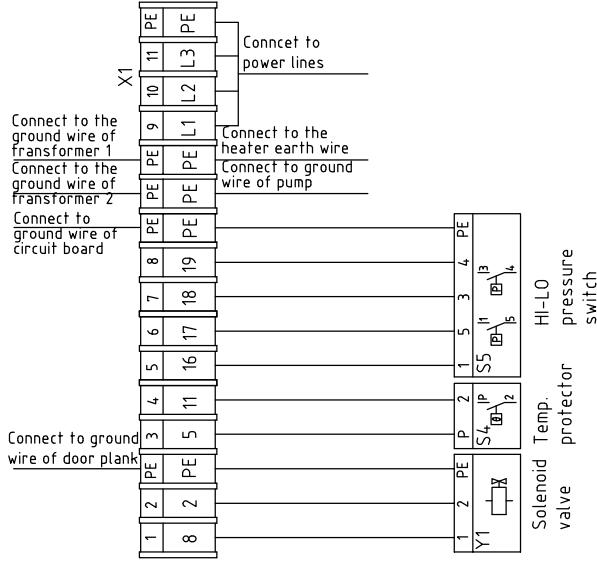
1 2 3 4 5 6 7 8

A

B

C

D



Technical requirements: Pump and pipe heater should be directly connected to the output terminals of contactor and thermal overload relay.

版本	Ver.E
Mark	Before modification
	After modification
	Modify date
	Checked by
	Proofread by
	Designer
	Version
	E
	Approved by
	Date
	20170425

Scale	Page
Standard	3
CE	Totally
Voltage	4
Frequency	Pages
4.00V	4.00V
50HZ	50HZ

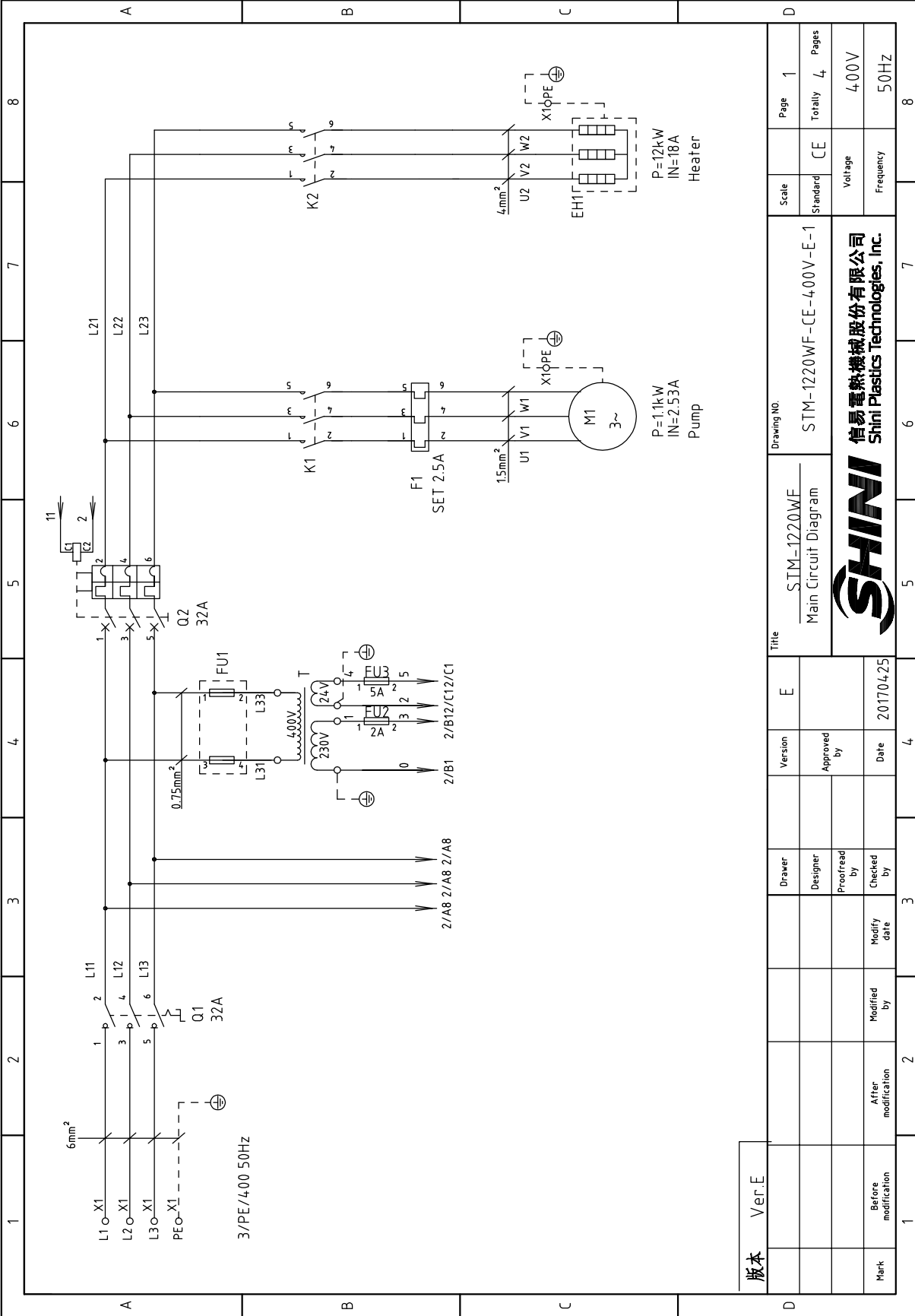
Title	STM-910WF
Electrical Components Layout	STM-910WF-CE-4.00V-E-3
Drawing NO.	



1 2 3 4 5 6 7 8

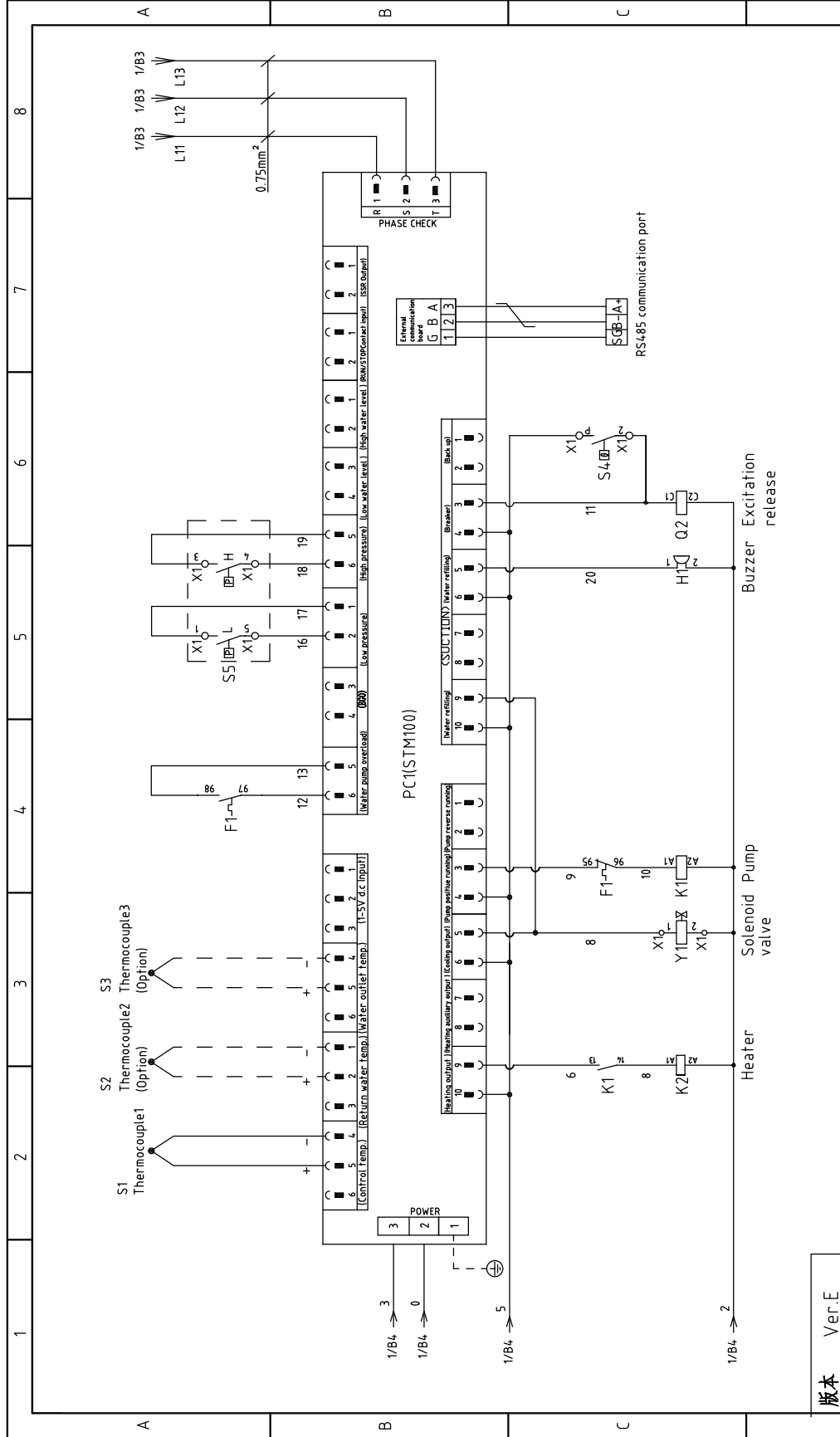
1		2		3		4		5		6		7		8	
NO.	Symbol	Name	Manufacturer	Type	Specification	Number	Material number	Remark							
1	Q1	Main Switch	EATON	P1-25/EA/SVB	25A	1	YE10125250000								
2	Q2	Circuit Breakers	TECO	BM-63C	25A	1	YE40302503000								
3		Excitation Release	TECO	MX	24VAC	1	YE40024000000	A							
4	K1	Contactors	SIEMENS	3RT6015-1AB01	24VAC	1	YE00601502500								
5	K2	Contactors	SIEMENS	3RT6025-1AC20	24VAC	1	YE00602502600								
6	F1	Overload Relays	SIEMENS	3RU6116-1CB0	1.8-2.5A	1	YE01160180000								
7	FU1	Fuse Base	CHNT	RT18-32	32A 2P	1	YE41032200000								
8		Fuse Core	MRO	10×38 500V	2A	2	YE46002000100								
9	FU2 FU3	Fuse	YINDA	FS-10	----	2	YE41001000000								
10		Fuse	----	6×30/3A	3A	1	YE46630500200								
11	T	Transformer	BAIYUN	IN=4.00V OUT=24VAC/230V	120VA/350mA	1	YE7004.0005500	B							
12	S1	Thermocouple	SHINI	----	K	1	----	(1)							
13	S2 S3	Thermocouple	SHINI	----	K	2	----	(1)(2)							
14	S4	Overheat Protector	----	----	----	1	----	(1)							
15	S5	HI-LO pressure switch	FENSHEN	P830HLM	H5-30bar L:-0.7-6bar	1	----	(1)							
16	PC1 A	Circuit Board	YUYUN	TM-01-220VAC(含通讯)	180-4.30V 50/60Hz	1	YE81012200300								
17	H1	Buzzer	----	PK-35A	24VAC/DC	1	YE84003500600								
18	Y1	Solenoid Valve	----	----	24VAC	1	----	(1)							
19	X1	Terminal Board	----	2.5mm ²	----	8	YE60002503200								
20		Terminal Board	----	2.5mm ²	----	4	YE60002503400								
21		Terminal Board	----	4.0mm ²	----	3	YE60000403200								
22		Terminal Board	----	4.0mm ²	----	1	YE60000403500								
23	M1	Motor	SHINI	----	400V 50Hz 0.75kW	1	----	(1)							
24	EH	Heater	SHINI	9kW	400V 50Hz	1	----	(1)							
版本 Ver.E Notes: (1)Means it's not the material inside the control box.(2)Means equipped with function of displaying water outlet and return water temperature.															
		Ver.E		Notes: (1)Means it's not the material inside the control box.(2)Means equipped with function of displaying water outlet and return water temperature.		Title		Drawing NO.		Scale		Page		8	
		Ver.E		Notes: (1)Means it's not the material inside the control box.(2)Means equipped with function of displaying water outlet and return water temperature.		STM-910WF		STM-910WF-CE-400V-E-4		Standard		CE		4	
		Ver.E		Notes: (1)Means it's not the material inside the control box.(2)Means equipped with function of displaying water outlet and return water temperature.		Electrical Components List				Voltage		4.00V		50Hz	
		Ver.E		Notes: (1)Means it's not the material inside the control box.(2)Means equipped with function of displaying water outlet and return water temperature.		SHINI		信易塑料机械股份有限公司 Shini Plastics Technologies, Inc.		Frequency		50Hz		8	
D		Ver.E		Notes: (1)Means it's not the material inside the control box.(2)Means equipped with function of displaying water outlet and return water temperature.		SHINI		信易塑料机械股份有限公司 Shini Plastics Technologies, Inc.		Frequency		50Hz		8	





版本 Ver.E

Drawing No.		STM-1220WF-CE-400V-E-1		Scale	Page 1
Title		Main Circuit Diagram		Standard	Totally 4 Pages
Version	E	SHINI 信易电热机械股份有限公司 Shini Plastics Technologies, Inc.		Voltage	400V
Approved by				Frequency	50Hz
Proffread by					
Checked by					
Modify Date					
Mark					
Before modification					
After modification					
Date	20170425				
1	2	3	4	5	6
7	8				



版本 Ver.E

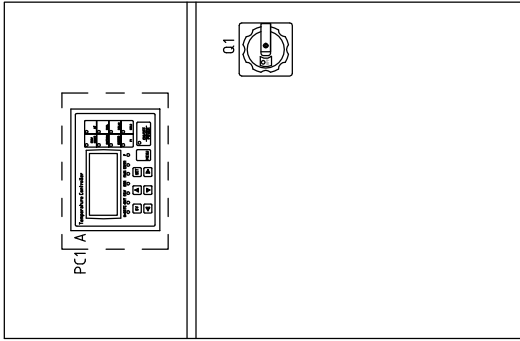
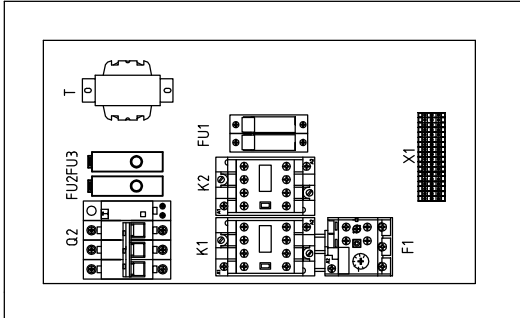
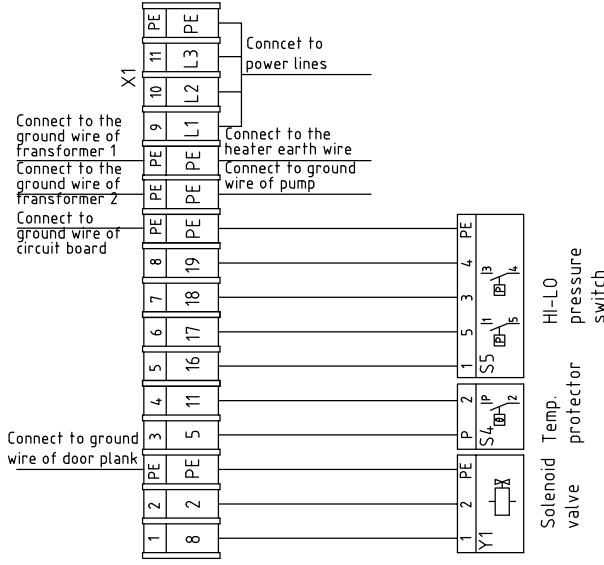
Title		Drawing NO.	
STM-1220WF Control Circuit Diagram		STM-1220WF-CE-400V-E-2	
Scale	Page	Standard	Pages
CE	2	CE	Totally 4
Voltage		Frequency	
400V		50Hz	
Mark		Before modification	
After modification		Modify date	
Checked by		Date	
20170425		4	
Approved by		Date	
E		4	
Version		Date	
E		20170425	
Designer		Date	
Proofread by		Date	
20170425		4	
Checked by		Date	
20170425		4	
Modified by		Date	
20170425		4	
Before modification		Date	
20170425		4	
SHINI		SHINI	
信易电热机械股份有限公司		Shini Plastics Technologies, Inc.	
Page		Page	
2		2	
Totally		Totally	
4		4	
Voltage		Frequency	
400V		50Hz	
Mark		Before modification	
After modification		Modify date	
20170425		4	
Checked by		Date	
20170425		4	
Approved by		Date	
E		4	
Version		Date	
E		20170425	
Designer		Date	
Proofread by		Date	
20170425		4	
Checked by		Date	
20170425		4	
Modified by		Date	
20170425		4	
Before modification		Date	
20170425		4	
SHINI		SHINI	
信易电热机械股份有限公司		Shini Plastics Technologies, Inc.	
Page		Page	
2		2	
Totally		Totally	
4		4	
Voltage		Frequency	
400V		50Hz	
Mark		Before modification	
After modification		Modify date	
20170425		4	
Checked by		Date	
20170425		4	
Approved by		Date	
E		4	
Version		Date	
E		20170425	
Designer		Date	
Proofread by		Date	
20170425		4	
Checked by		Date	
20170425		4	
Modified by		Date	
20170425		4	
Before modification		Date	
20170425		4	
SHINI		SHINI	
信易电热机械股份有限公司		Shini Plastics Technologies, Inc.	

A

B

C

D



版本 Ver.E

Technical requirements: Pump and pipe heater should be directly connected to the output terminals of contactor and thermal overload relay.

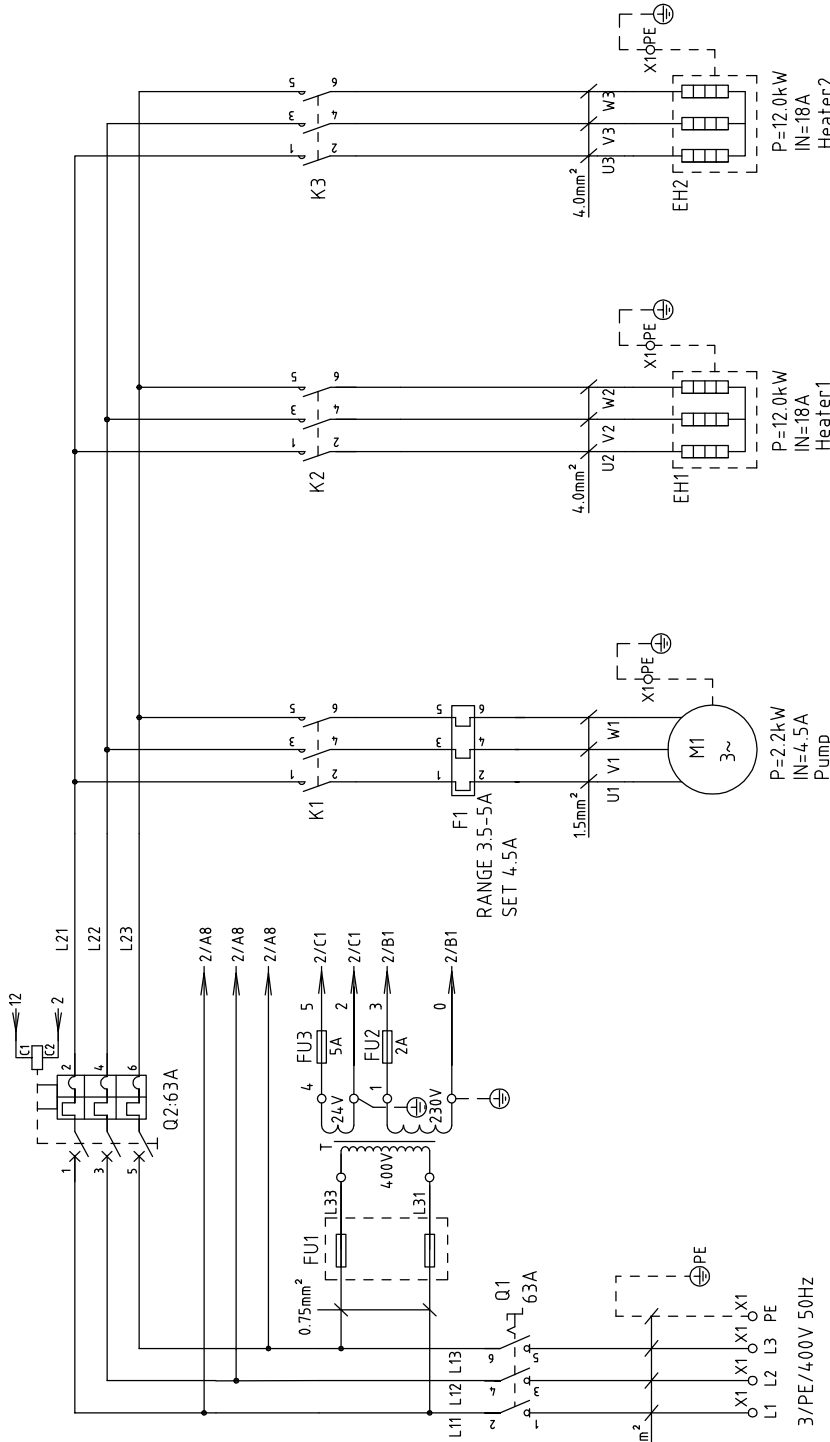
Scale	Page	3
Standard	Totally	4
CE	Pages	4,00V
	Voltage	50HZ
	Frequency	
Drawing NO. STM-1220WF-CE-400V-E-3		
Title STM-1220WF Electrical Components Layout		
Version	Approved by	
E	Checked by	20170425
Designer	Modify date	
Proofread by	Before modification	
Checked by	After modification	
Mark	Modify date	



1		2		3		4		5		6		7		8	
NO.	Symbol	Name	Manufacturer	Type	Specification	Number	Material number	Remark							
1	Q1	Main Switch	EATON	P1-32/EA/SVB	32A	1	YE10323200000								
2	Q2	Circuit Breakers	TECO	BM-63C	32A	1	YE40303203000								
3		Excitation Release	TECO	MX	24VAC	1	YE40024000000	A							
4	K1	Contactors	SIEMENS	3RT6015-1AB01	24VAC	1	YE00601502500								
5	K2	Contactors	SIEMENS	3RT6026-1AC20	24VAC	1	YE00602602600								
6	F1	Overload Relays	SIEMENS	3RU6116-1DB0	2.2-3.2A	1	YE01160220000								
7	FU1	Fuse Base	CHNT	RT18-32	32A 2P	1	YE41032200000								
8		Fuse Core	MRO	10×38 500V	2A	2	YE46002000100								
9	FU2 FU3	Fuse	YINDA	FS-10	----	2	YE41001000000								
10		Fuse	----	6×30/5A	5A	1	YE46630500100								
11	T	Transformer	BAIYUN	IN=400V OUT=24VAC/230V	120VA/ 350MA	1	YE7004.0005500	B							
12	S1	Thermocouple	SHINI	----	----	1	----	(1)							
13	S2 S3	Thermocouple	SHINI	----	----	2	----	(1)(2)							
14	S4	Overheat Protector	----	----	----	1	----	(1)							
15	S5	HI-LO pressure switch	----	----	----	1	----	(1)							
16	PC1 A	Circuit Board	YUYUN	TM-01-220VAC (徐通讯)	180-4.30V 50/60Hz	1	YE81012200300								
17	H1	Buzzer	----	PK-35A	24VAC/DC	1	YE84003500600								
18	Y1	Solenoid Valve	----	----	24VAC	1	----	(1)							
19	X1	Terminal Board	----	2.5mm ²	----	8	YE60002503200								
20		Terminal Board	----	2.5mm ²	----	3	YE60002503400								
21		Terminal Board	----	4.0mm ²	----	1	YE60000403500								
22		Terminal Board	----	6mm ²	----	3	YE60000603200								
23		Terminal Board	----	6mm ²	----	1	YE60000603500								
24	M1	Motor	SHINI	----	400V 50HZ 1.1kW	1	----	(1)							
25	EH	Heater	SHINI	12kW	400V 50HZ	1	----	(1)							
Ver.E		Notes: (1)Means it's not the material inside the control box.(2)Means equipped with function of displaying water outlet and return water temperature.													
D		Title		E		Drawing NO.		Scale		Page		4		8	
		STM-1220WF		Electrical Components List		STM-1220WF-CE-400V-E-4		Standard		CE		Voltage		4.00V	
		SHINI		SHINI		SHINI		SHINI		SHINI		SHINI		SHINI	
Mark		Before modification		After modification		Modify date		Checked by		Date		20170425		50HZ	
1		2		3		4		5		6		7		8	



1 2 3 4 5 6 7 8

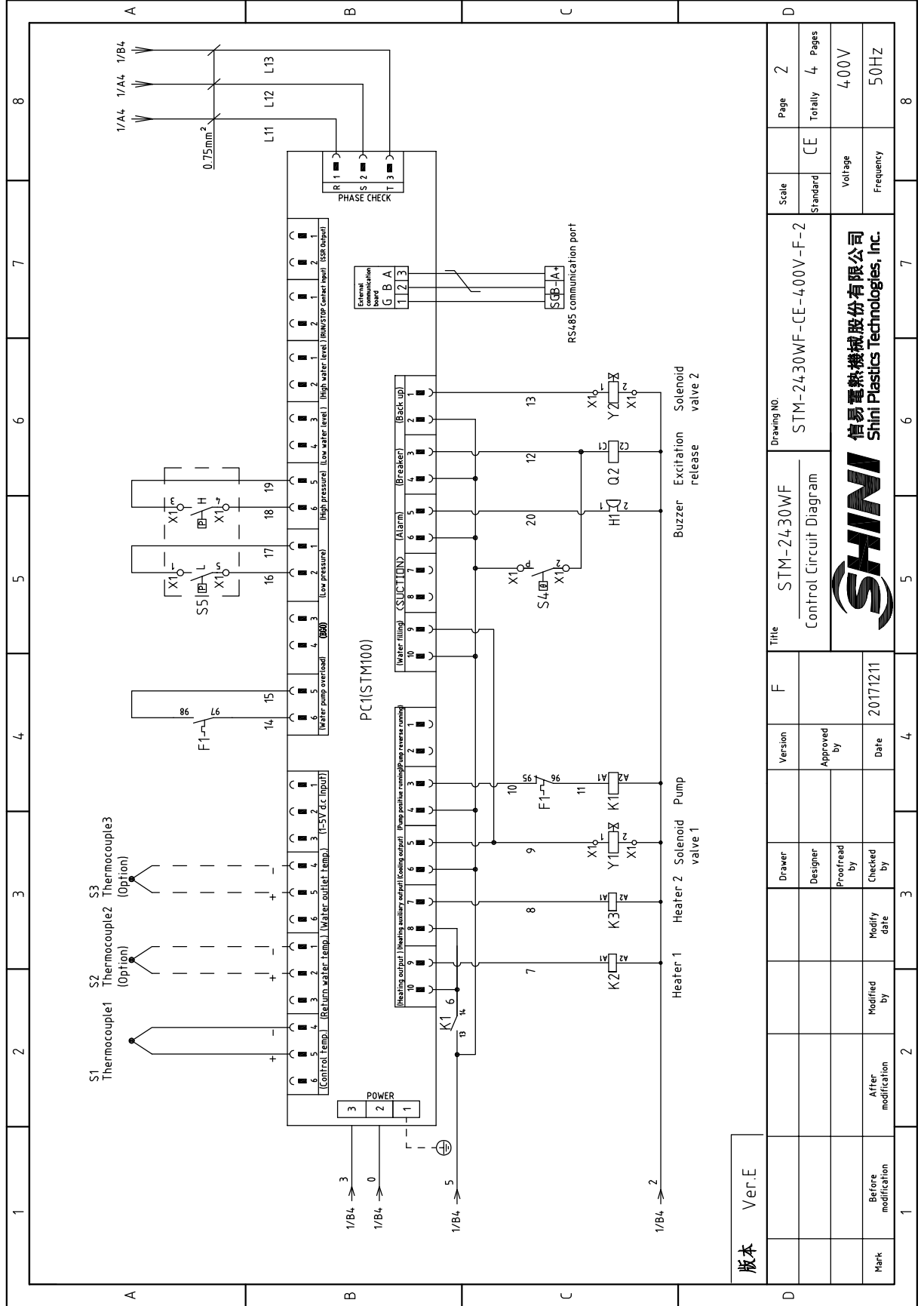


版本 Ver.E

Drawing NO.		STM-2430WF		Page 1	
Title		Main Circuit Diagram		Scale	
Version		Approved by		Standard	
Designer		Date		Voltage	
Proofread by		2017/12/11		Frequency	
Checked by		4		400V	
Modify Date		3		Totally	
After modification		2		4	
Before modification		1		Pages	
Mark		1		50Hz	



1 2 3 4 5 6 7 8



版本 Ver.E

Mark	Before modification	Modified by	Modify date	Checked by	Date	20171211	Approved by	Version	F	Title	Drawing NO.		Page	2						
	After modification										STM-2430WF-CE-400V-F-2	CE			Scale	Standard	Standard	Standard	Standard	Standard
Before modification																				
After modification																				
Modified by																				
Modify date																				
Checked by																				
Proofread by																				
Designer																				
Drawer																				
Title											STM-2430WF		Drawing NO.		Page		2			
Control Circuit Diagram											STM-2430WF-CE-400V-F-2		Scale		CE		Standard		Standard	
SHINI											信易塑料机械股份有限公司		Shini Plastics Technologies, Inc.		Voltage		400V			
SHINI											信易塑料机械股份有限公司		Shini Plastics Technologies, Inc.		Frequency		50HZ			

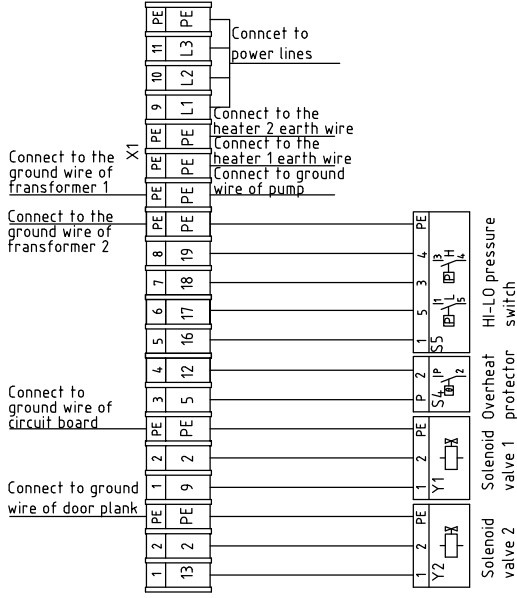
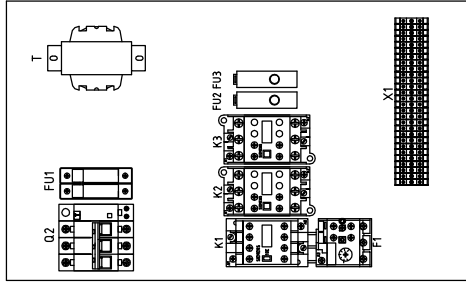
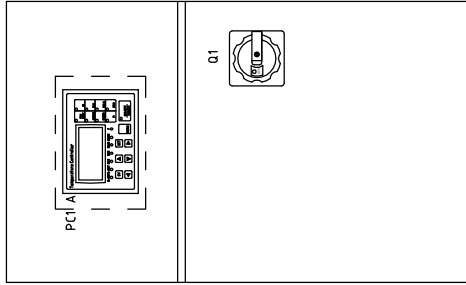
1 2 3 4 5 6 7 8

A

B

C

D




版本 Ver.E

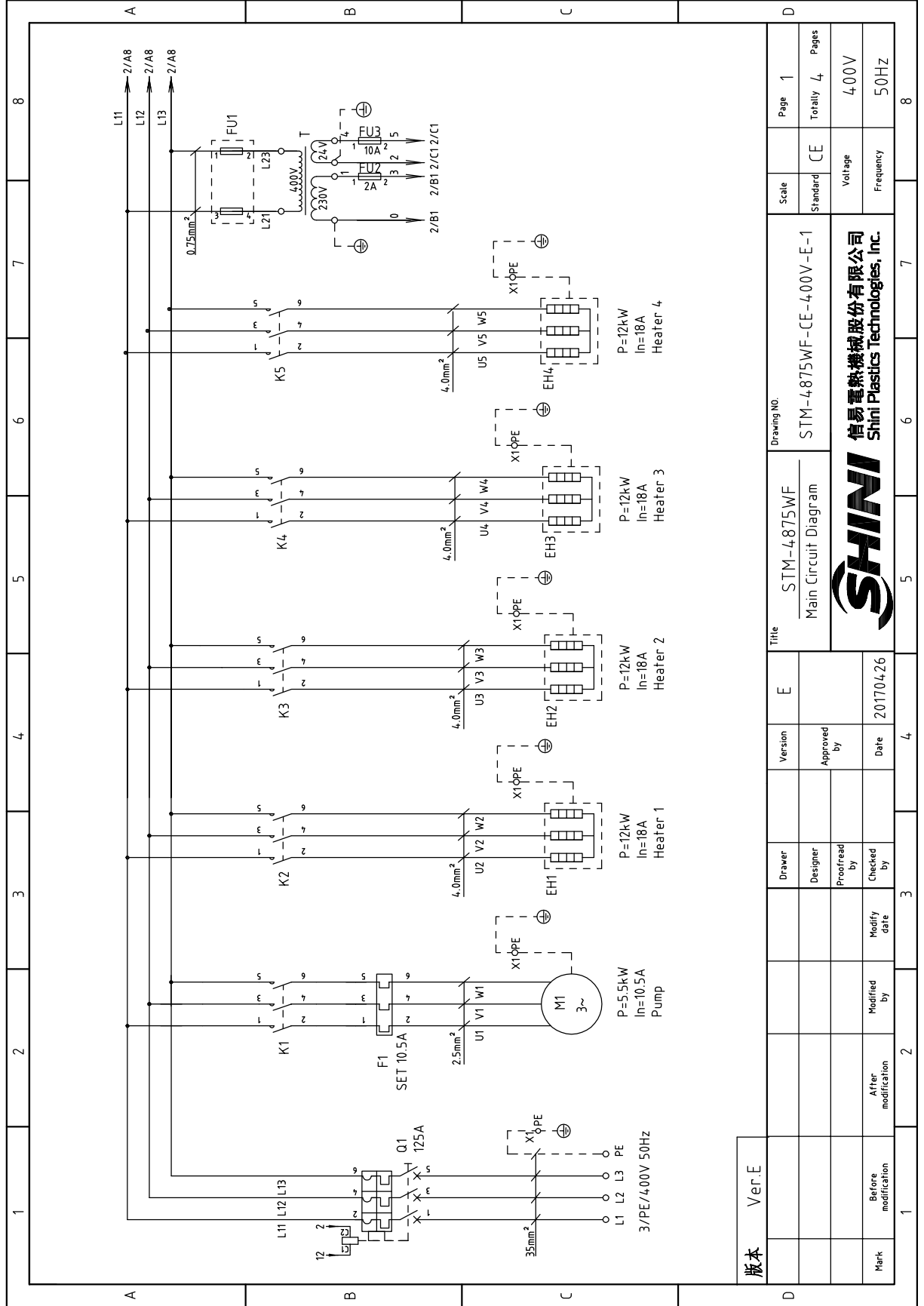
Technical requirements: Pump and pipe heater should be directly connected to the output terminals of contactor and thermal overload relay.

Mark	Before modification	Modified by	Modify date	Checked by	Date	Approved by	Version	F	Title	Scale	Page
					20171211			STM-2430WF	Electrical Components Layout	Standard	3
	After modification								STM-2430WF-CE-400V-F-3	CE	4
										Voltage	400V
										Frequency	50Hz



1 2 3 4 5 6 7 8

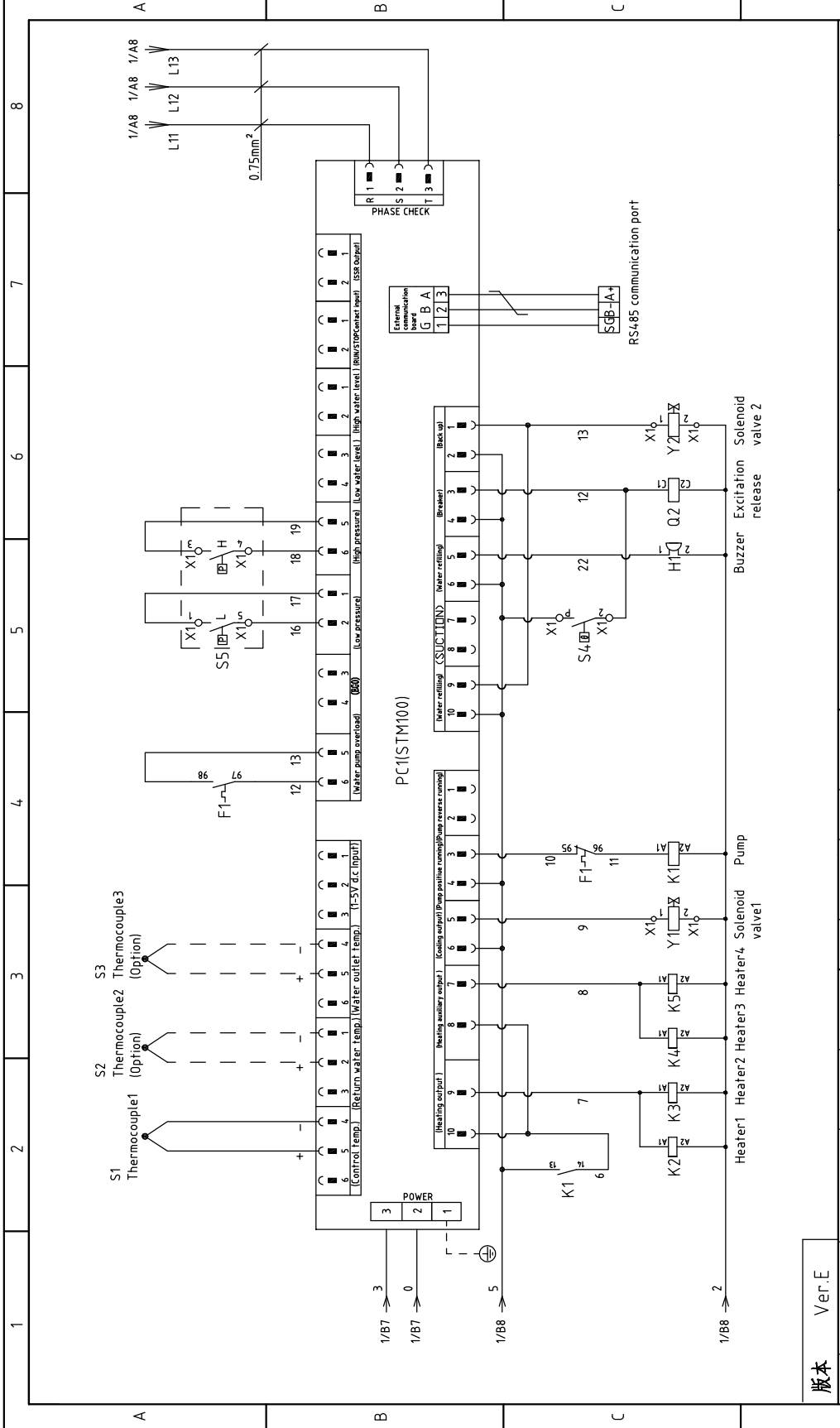
1		2		3		4		5		6		7		8	
NO.	Symbol	Name	Manufacturer	Type	Specification	Number	Material number	Remark							
1	Q1	Main switch	EATON	P3-63/EA/SVB	63A	1	YE10636300000								
2	Q2	Circuit breaker	TECO	BM-63C	63A	1	YE40306303000								
3	A	Release	TECO	MX	24VAC	1	YE40024000000								
4	K1	Contactors	SIEMENS	3RT6017-1AB01	24VAC	1	YE00601702500								
5	K2 K3	Contactors	SIEMENS	3RT6026-1AC20	24VAC	2	YE00602602600								
6	F1	Overload relays	SIEMENS	3RU6116-1FB0	3.5-5A	1	YE01160350000								
7	T	Transformer	BAIYUN	IN=400V OUT=24VAC/230V	120VA/350mA	1	YE70040005500								
8	FU1	Fuse base	CHINT	RT28N-32	32A 2P	1	YE41032200000								
9		Fuse core	MRO	10x38 500V	2A	2	YE46002000100								
10	FU2 FU3	Fuse	YINDA	FS-10	----	2	YE41001000000								
11	B	Fuse	----	6x30/5A	5A	1	YE46630500100								
12	S1	Thermocouple	SHINI	----	----	1	----	(1)							
13	S2 S3	Thermocouple	SHINI	----	----	2	----	(1)(2)							
14	S4	Overheat protector	TONCEAO	ZA300	250V 5(A)A	1	----	(1)							
15	S5	HI-LO pressure switch	FENSHEN	P830HLM	H1.5-30bar L1-0.7-6bar	1	----	(1)							
16	PC1 A	Circuit board	YUYUN	TM-01-220VAC (含通讯)	180-4.30V 50/60Hz	1	YE81012200300								
17	H1	Buzzer	----	PK-35A	24VAC/DC	1	YE84003500600								
18	Y1 Y2	Solenoid valve	----	----	24VAC	2	----	(1)							
19	X1	Terminal board	----	2.5mm ²	----	8	YE60002503200								
20		Terminal board	----	2.5mm ² PE	----	4	YE60002503400								
21		Terminal board	----	4.0mm ² PE	----	2	YE60000403500								
22		Terminal board	----	16.0mm ²	----	3	YE60001603200								
23		Terminal board	----	16.0mm ² PE	----	1	YE60001603500								
24	M1	Motor	SHINI	----	400V 50Hz 2.2kW	1	----	(1)							
25	EH1 EH2	Heater	SHINI	----	400V 50Hz 12kW	2	----	(1)							
版本 Ver.E Notes: (1)Means it's not the material inside the control box.(2)Means equipped with function of displaying water outlet and return water temperature.															
D				Title STM-2430WF Electrical Components List		Drawing NO. STM-2430WF-CE-400V-F-4		Scale Standard CE		Page 4 Totality 4		Voltage 4.00V Frequency 50Hz		Page 4 Totality 4	
Mark		Before modification		Modified by		Modify date		Checked by		Date		 信易塑料机械股份有限公司 Shini Plastics Technologies, Inc.			
1	2	3	4	5	6	7	8								



版本 Ver.E

Mark	Before modification	Date	20170426	Version	E	Title	Drawing NO.		Page	1
	After modification						Modified by	STM-4875WF		
Before modification	Modified by	Date	20170426	Approved by	Designer	Proofread by	Checked by	Checked by	Standard	CE
									Checked by	Checked by
Modify Date	Modify Date	Date	20170426						Frequency	50Hz





版本 Ver.E

Mark	Before modification	Modified by	Checked by	Date	20170426		
	After modification	Modify date	Proofread by	Approved by			
Drawer	Designer	Version	E	Title	STM-4875WF Control Circuit Diagram		
Scale	Standard	CE	Page	2	Page 2		
Voltage	Frequency	400V	Totally	4	Pages 4		
Frequency		50HZ					
<p>Drawing NO. STM-4875WF-CE-400V-E-2</p> <p>SHINI 信易电热机械股份有限公司 Shini Plastics Technologies, Inc.</p>							
1	2	3	4	5	6	7	8

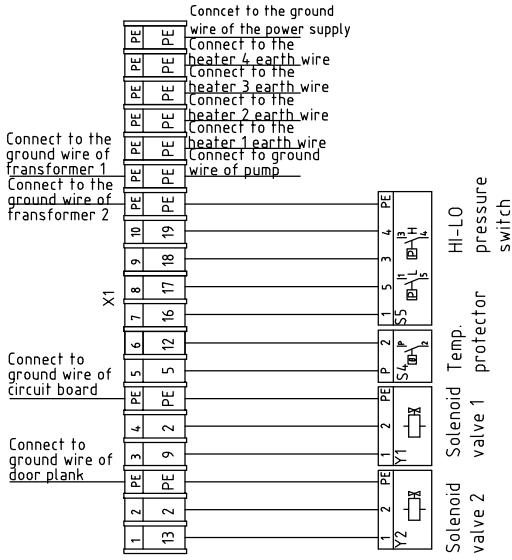
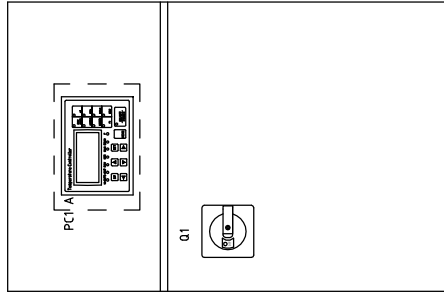
1 2 3 4 5 6 7 8

A

B

C

D



Technical requirements: Pump and pipe heater should be directly connected to the output terminals of contactor and thermal overload relay. (2) Main power inlet directly connects to breaker interlock without passing by terminal board.

版本	Ver.E
Mark	Before modification
	After modification
	Modify date
	Checked by
	Proofread by
	Designer
	Drawer
	Version
	E
	Approved by
	Date
	20170426

Scale	Page
Standard	3
Voltage	Totally
400V	4
Frequency	Pages
50HZ	4

Title	Drawing NO.
STM-4875WF	STM-4875WF-CE-400V-E-3
Electrical Components Layout	
 信易电热机械股份有限公司 Shini Plastics Technologies, Inc.	

1 2 3 4 5 6 7 8

1	2		3	4	5	6	7	8
NO.	Symbol	Name	Manufacturer	Type	Specification	Number	Material number	Remark
1	Q1	Breaker Interlock	ABB	A1A125TMF125/12503PFF	125A	1	YE4.11614.00000	
2		Release	ABB	SOR-C	24V-30V AC/DC	1	YE4.024.3000900	
3	K1	Contactors	SIEMENS	3RT6018-1AB01	24VAC	1	YE00601802500	A
4	K2 K3 K4 K5	Contactors	SIEMENS	3RT6026-1AC20	24VAC	4	YE00602602600	
5	F1	Overload Relays	SIEMENS	3RU6116-1KB0	9-12.5A	1	YE01169125000	
6	T	Transformer	BAIYUN	IN=400V OUT=24VAC/230V	230VA/350mA	1	YE7004.0005700	
7	FU1	Fuse Base	CHINT	RT18-32	32A 2P	1	YE4.1032200000	
8		Fuse Core	MRO	10x38 500V	2A	2	YE4.6002000100	
9	FU2 FU3	Fuse	YINDA	FS-10	----	2	YE4.1001000000	
10		Fuse	----	6x30/10A	10A	1	YE4.663104.00000	
11	S1	Thermocouple	SHINI	----	----	1	----	(1)
12	S2 S3	Thermocouple	SHINI	----	----	2	----	(1)(2)
13	S4	Overheat Protector	TONCEAO	ZA300	250V 5(4)A	1	----	(1)
14	S5	HI-LO pressure switch	FENSHEN	P830HLM	H:5-30bar L:-0.7-6bar	1	----	(1)
15	PC1 A	Circuit Board	YUYUN	TM-01-220VAC (普通机)	180~430V 50/60Hz	1	YE81012200300	
16	H1	Buzzer	----	PK-35A	24VAC/DC	1	YE84.003500600	
17	Y1 Y2	Solenoid Valve	----	----	24VAC 50/60Hz	2	----	(1)
18	X1	Terminal Board	----	2.5mm ²	----	10	YE60002503200	
19		Terminal Board	----	2.5mm ² PE	----	4	YE60002503400	C
20		Terminal Board	----	4.0mm ² PE	----	4	YE600004.03500	
21		Terminal Board	----	35mm ² PE	----	1	YE60003503500	
22	M1	Motor	----	5.5kW	400V 50Hz	1	----	(1)
23	EH1 EH2 EH3	Heater	----	12kW	400V 50Hz	4	----	(1)
版本 Ver.E Notes: (1)Means it's not the material inside the control box.(2)Means equipped with function of displaying water outlet and return water temperature.								
				Title		Scale		Page
				STM-4.875WF		4:00V-E-4		4
				Electrical Components List		Standard		Pages
						CE		4
				SHINI		Voltage		4.00V
				信易塑料机械股份有限公司		Frequency		50Hz
				Shini Plastics Technologies, Inc.				
1	2		3	4	5	6	7	8
Mark	Before modification	Modified by	Modify date	Checked by	Date			
					201704.26			
D								