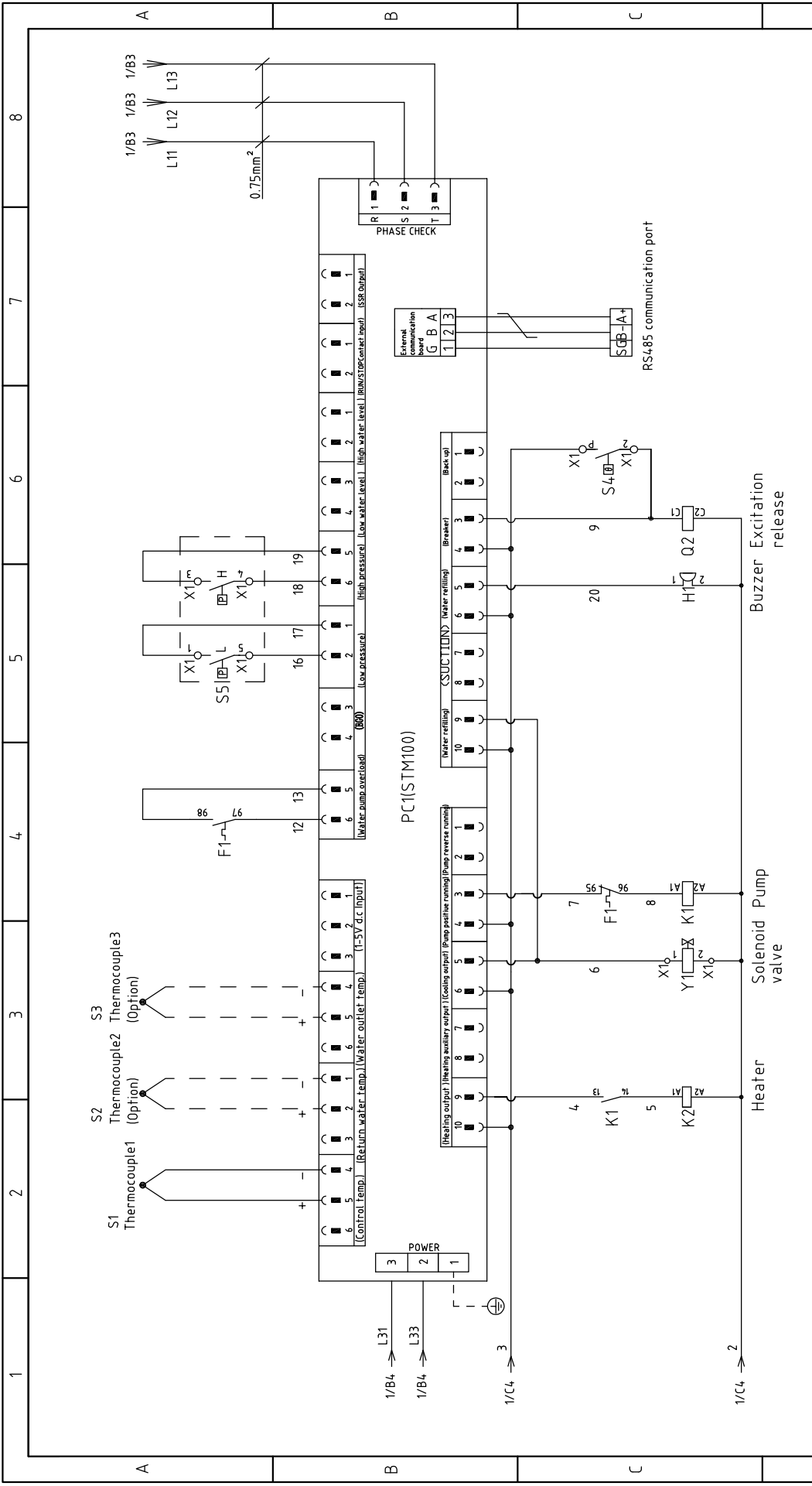


版本	Ver.E
Mark	Before modification
	After modification
	Modified by
	Modify date
	Checked by
	Proofread by
	Designer
	Drawer
	Version
	E

Drawing NO.		Page 1	
Title		Standard	
STM-607WF		CE	
Main Circuit Diagram		Voltage	
STM-607WF-CE-230V-E-1		Frequency	
		230V	
		50HZ	
		Totally 4	
		Pages	



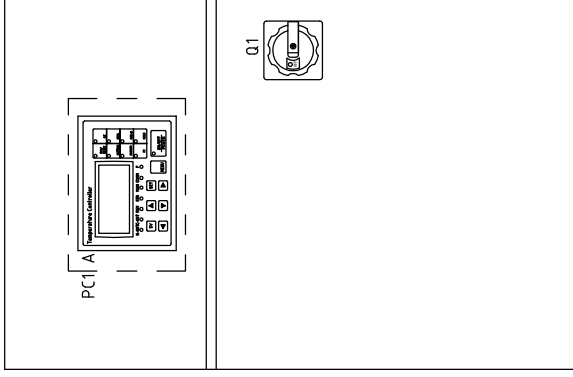
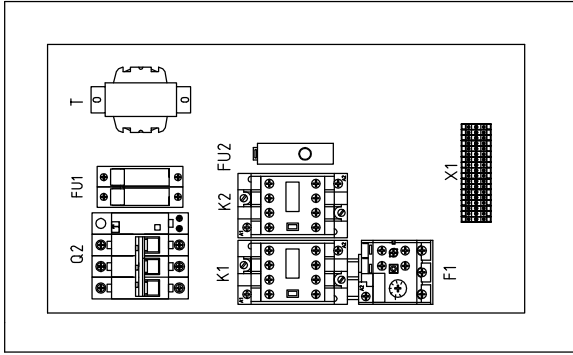
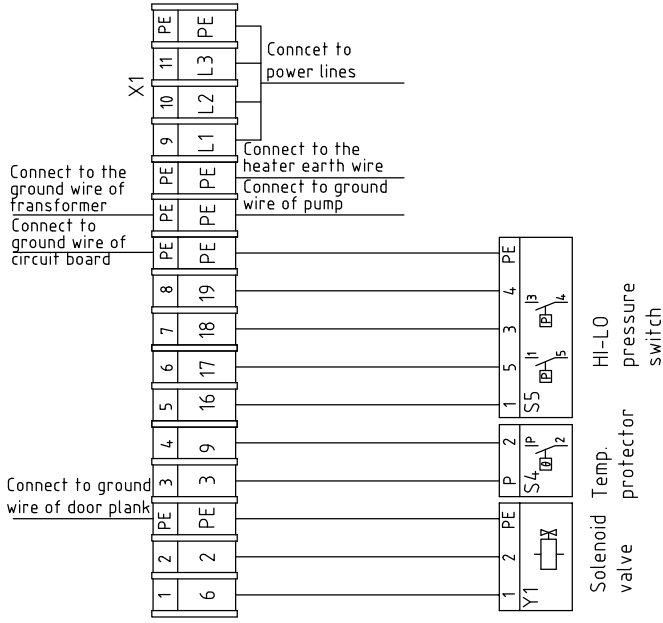


版本	Ver.E
----	-------

Mark	Before modification	Modified by	Modify date
Drawer	Designer	Proofread by	Checked by
Version	Approved by	Date	20170424
E			

Title		Drawing NO.	
STM-607WF Control Circuit Diagram		STM-607WF-CE-230V-E-2	
Scale		Page 2	
Standard		CE	
Voltage		230V	
Frequency		50Hz	
Totally		4	
Pages		8	





Technical requirements: Pump and pipe heater should be directly connected to the output terminals of contactor and thermal overload relay.

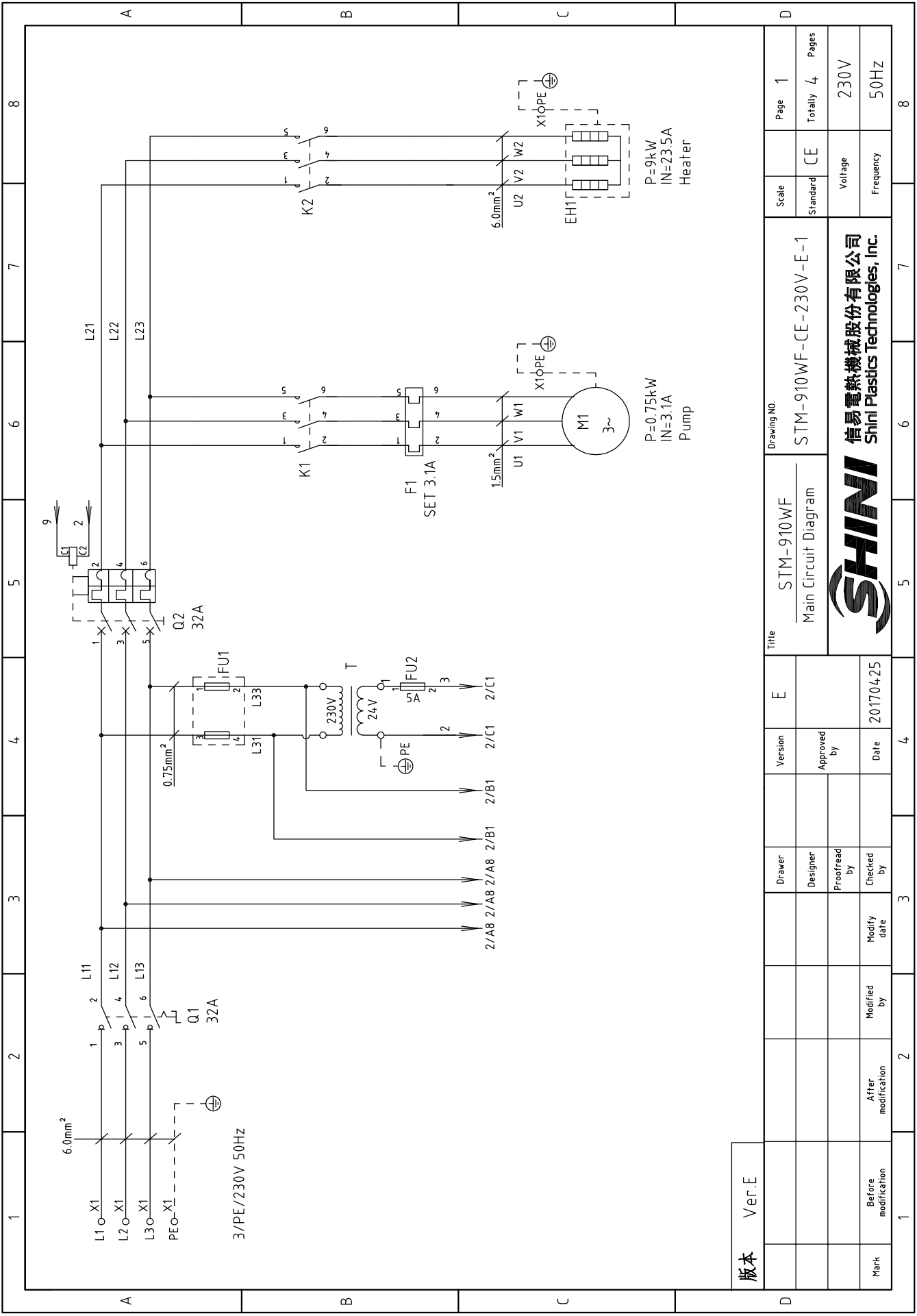
版本 Ver.E

Scale	Standard	Page	3
Standard	CE	Totally	4
Voltage		230V	
Frequency		50HZ	
Drawing NO.		STM-607WF-CE-230V-E-3	
Title		STM-607WF Electrical Components Layout	
Version	E	Approved by	
Designer		Date	20170424
Proofread by		Modified by	
Checked by		Modify date	
Before modification		After modification	
Mark			



1		2		3		4		5		6		7		8	
NO.	Symbol	Name	Manufacturer	Type	Specification	Number	Material number	Remark							
1	Q1	Main Switch	EATON	P1-25/EA/SVB/25A	25A	1	YE10125250000								
2	Q2	Circuit Breakers	TECO	BM-63C/3025S	25A	1	YE40302503000								
3		Release	TECO	MX	24VAC	1	YE40024000000								
4	K1	Contactors	SIEMENS	3RT6015-1AB01	24VAC	1	YE00601502500								
5	K2	Contactors	SIEMENS	3RT6025-1AC20	24VAC	1	YE00602502600								
6	F1	Overload Relays	SIEMENS	3RU6116-1CB0	1.8-2.5A	1	YE01160180000								
7	FU1	Fuse Base	CHNT	RT18-32	32A 2P	1	YE41032200000								
8		Fuse Core	MRO	10×38 500V	2A	2	YE46002000100								
9	FU2	Fuse	YINDA	FS-10	----	1	YE41001000000								
10		Fuse	----	6×30/3A	3A	1	YE46630500200								
11	T	Transformer	BAIYUN	IN=230V OUT=24VAC	120VA	1	YE70023005500								
12	S1	Thermocouple	SHINI	----	K	1	----	(1)							
13	S2 S3	Thermocouple	SHINI	----	K	2	----	(1)(2)							
14	S4	Overheat Protector	----	----	----	1	----	(1)							
15	S5	HI-LO pressure switch	FENSHEH	P830HLM	H:5-30bar L:-0.7-6bar	1	----	(1)							
16	PC1 A	Circuit Board	YUYUN	TM-01-220VAC(含通讯)	180~430V 50/60Hz	1	YE81012200300								
17	H1	Buzzer	----	PK-35A	24VAC/DC	1	YE84003500600								
18	Y1	Solenoid Valve	----	----	24VAC	1	----	(1)							
19	X1	Terminal Board	----	2.5mm ²	----	8	YE60002503200								
20		Terminal Board	----	2.5mm ² PE	----	3	YE60002503400								
21		Terminal Board	----	4.0mm ²	----	3	YE60000403200								
22		Terminal Board	----	4.0mm ² PE	----	2	YE60000403500								
23	M1	Motor	SHINI	----	230V 50Hz 0.55kW	1	----	(1)							
24	EH	Heater	SHINI	6kW	230V 50Hz	1	----	(1)							
版本 Ver.E Notes: (1)Means it's not the material inside the control box.(2)Means equipped with function of displaying water outlet and return water temperature.															
				Title		Drawing NO.		Scale		Page		4		8	
				STM-607WF		STM-607WF-CE-230V-E-4		Standard		CE		Voltage		230V	
				Electrical Components List				Frequency				Frequency		50HZ	
				E		Approved by		Date		20170424					
				Designer		Proofread by		Checked by		Modify date					
				Modified by		Modified by		Modified by		Modified by					
				Before modification		After modification		After modification		After modification					
				3		4		5		6		7		8	
				3		4		5		6		7		8	
				3		4		5		6		7		8	





版本	Ver.E
Mark	Before modification
	After modification
	Modified by
	Modify date
	Checked by
	Proofread by
	Designer
	Drawer
Version	E
Approved by	
Date	20170425

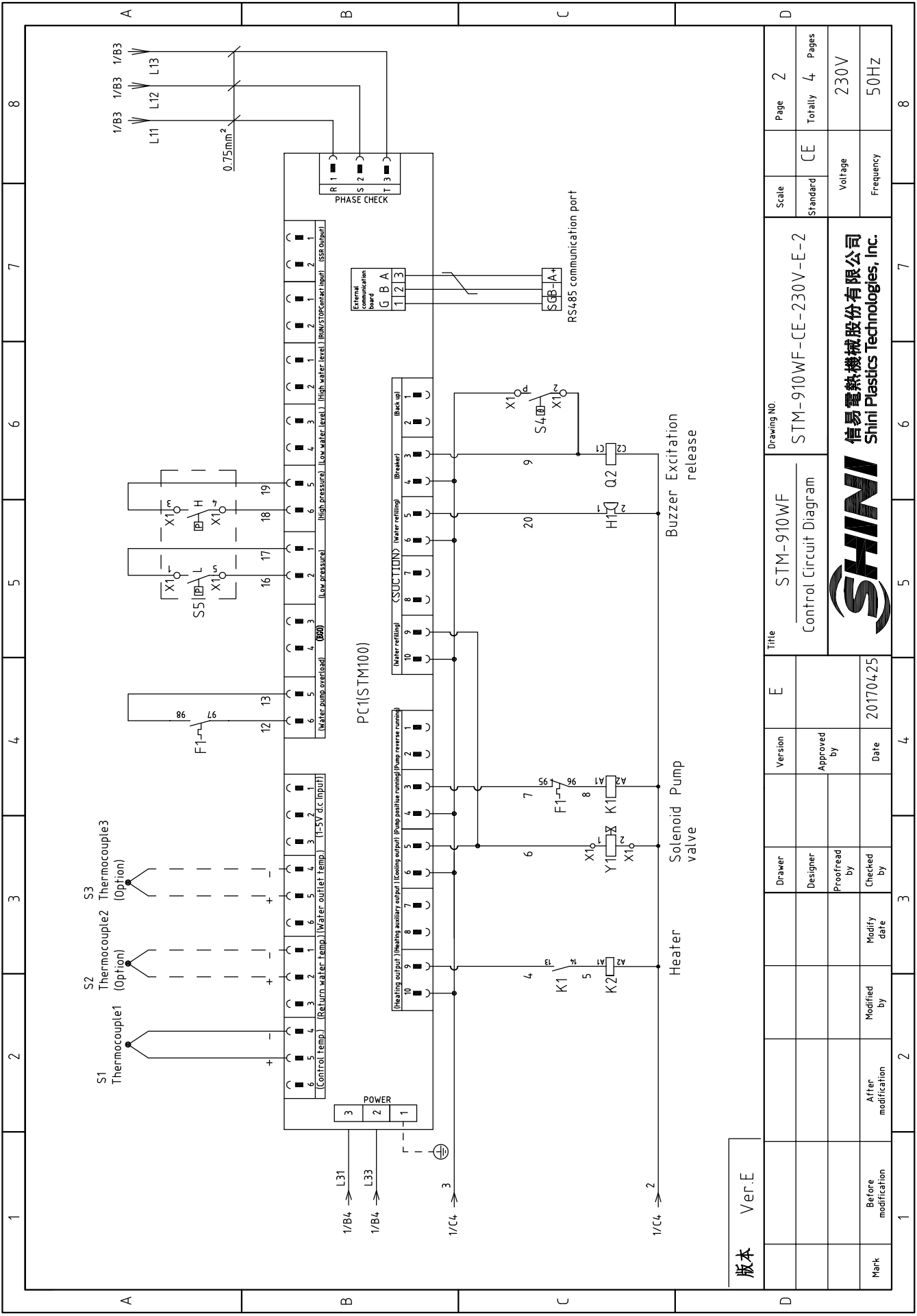
Drawing NO.		Page	1
Title		Standard	CE
STM-910WF-CE-230V-E-1		Voltage	230V
Main Circuit Diagram		Frequency	50HZ
Scale		Totally	4
Pages			



1 2 3 4 5 6 7 8

A B C D

1 2 3 4 5 6 7 8



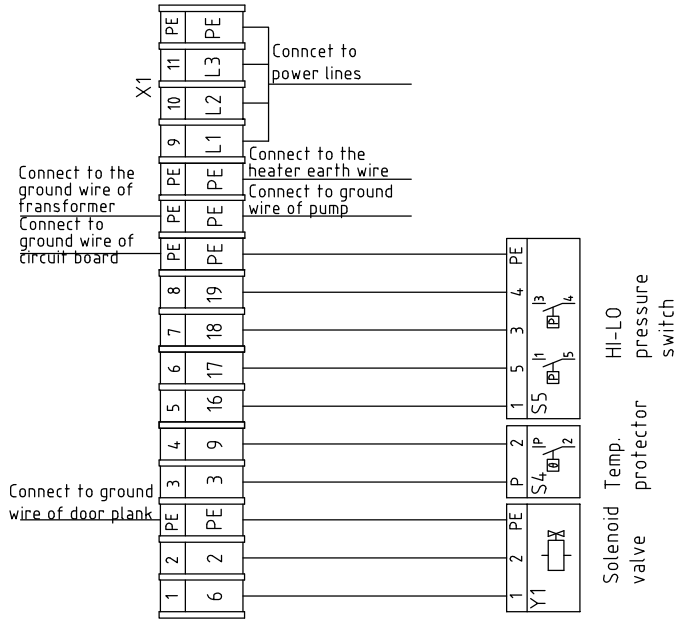
版本	Ver.E
Mark	Before modification
Modified by	
Modify date	
Checked by	20170425
Proofread by	
Designer	
Approved by	
Version	E

Title		Drawing NO.	
STM-910WF		STM-910WF-CE-230V-E-2	
Control Circuit Diagram		Scale	
		Standard	
		Voltage	
		Frequency	
		Page	
		Totally	
		Pages	
		230V	
		50Hz	



1 2 3 4 5 6 7 8

A B C

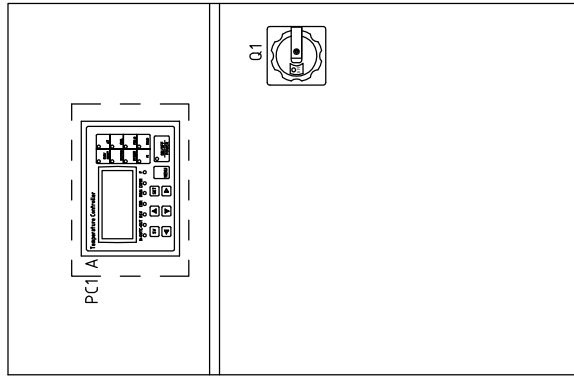
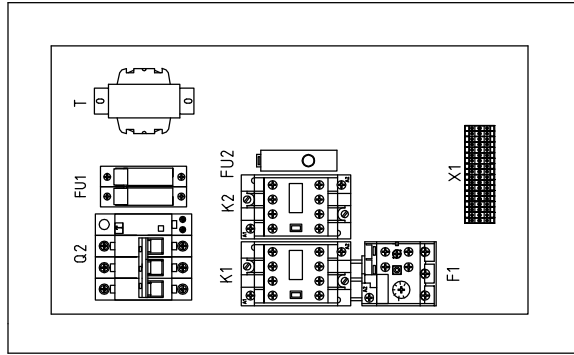


Connect to ground wire of door plank

Connect to the ground wire of transformer
Connect to ground wire of circuit board

Connct to power lines


Connect to the heater earth wire
Connect to ground wire of pump



Solenoid Temp. HI-LO
valve protector pressure switch

Technical requirements: Pump and pipe heater should be directly connected to the output terminals of contactor and thermal overload relay.

版本	Ver.E
Mark	Before modification
	After modification
	Modified by
	Modify date
	Checked by
	Proofread by
	Designer
	Drawer

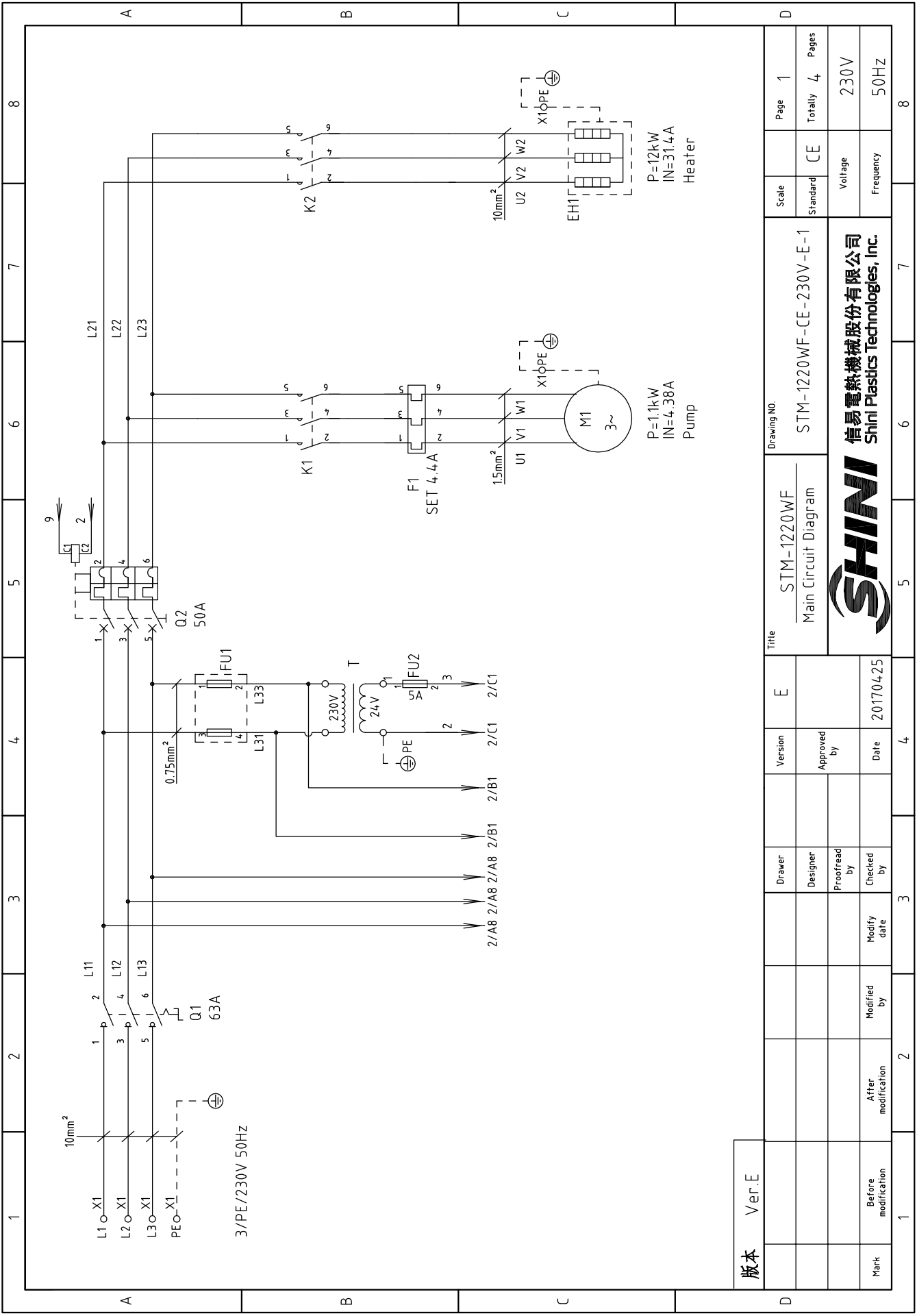
Title		Drawing NO.	
STM-910WF	STM-910WF-CE-230V-E-3	Scale	Page
Electrical Components Layout		Standard	Totally
		Voltage	Pages
		Frequency	50HZ.
		 信易電熱機械股份有限公司 Shini Plastics Technologies, Inc.	

1 2 3 4 5 6 7 8

B C

D

1		2		3		4		5		6		7		8	
NO.	Symbol	Name	Manufacturer	Type	Specification	Number	Material number	Remark							
1	Q1	Main Switch	EATON	P1-32/EA/SVB	32A	1	YE10323200000								
2	Q2	Circuit Breakers	TECO	BM-63C/3032S	32A	1	YE40303203000								
3		Release	TECO	MX	24VAC	1	YE40024000000								
4	K1	Contactors	SIEMENS	3RT6015-1AB01	24VAC	1	YE00601502500								
5	K2	Contactors	SIEMENS	3RT6027-1AC20	24VAC	1	YE00602702600								
6	F1	Overload Relays	SIEMENS	3RU6116-1EB0	2.8-4A	1	YE01160280000								
7	FU1	Fuse Base	CHNT	RT18-32	32A 2P	1	YE41032200000								
8		Fuse Core	MRO	10×38 500V	2A	2	YE46002000100								
9	FU2	Fuse	YINDA	FS-10	----	1	YE41001000000								
10		Fuse	----	6×30/5A	5A	1	YE46630500100								
11	T	Transformer	BAIYUN	IN=230V OUT=24VAC	120VA	1	YE70023005500								
12	S1	Thermocouple	SHINI	----	K	1	----	(1)							
13	S2 S3	Thermocouple	SHINI	----	K	2	----	(1)(2)							
14	S4	Overheat Protector	----	----	----	1	----	(1)							
15	S5	HI-LO pressure switch	FENSHEN	P830HLM	Hi-5-30bar L:-0.7-6bar	1	----	(1)							
16	PC1 A	Circuit Board	YUYUN	TM-01-220VAC(含通讯)	180~430V 50/60Hz	1	YE81012200300								
17	H1	Buzzer	----	PK-35A	24VAC/DC	1	YE84003500600								
18	Y1	Solenoid Valve	----	----	24VAC	1	----	(1)							
19	X1	Terminal Board	----	2.5mm ²	----	8	YE60002503200								
20		Terminal Board	----	2.5mm ²	----	3	YE60002503400								
21		Terminal Board	----	6.0mm ²	----	3	YE60000603200								
22		Terminal Board	----	6.0mm ² PE	----	2	YE60000603500								
23	M1	Motor	SHINI	----	230V 50Hz 0.75kW	1	----	(1)							
24	EH	Heater	SHINI	9kW	230V 50Hz	1	----	(1)							
版本 Ver.E Notes: (1)Means it's not the material inside the control box.(2)Means equipped with function of displaying water outlet and return water temperature.															
				Title		Drawing NO.		Scale		Page		Page		Page	
				E		STM-910WF		STM-910WF-CE-230V-E-4		Standard		CE		Voltage	
				Approved by		Electrical Components List				Totally		4		Pages	
				Date		SHINI		信易电热机械股份有限公司		Frequency		230V		50HZ	
				20170425		SHINI		Shini Plastics Technologies, Inc.		Frequency		230V		50HZ	
Mark		Before modification		Modified by		Modify date				Page		4		Page	
1		2		3		4		5		6		7		8	



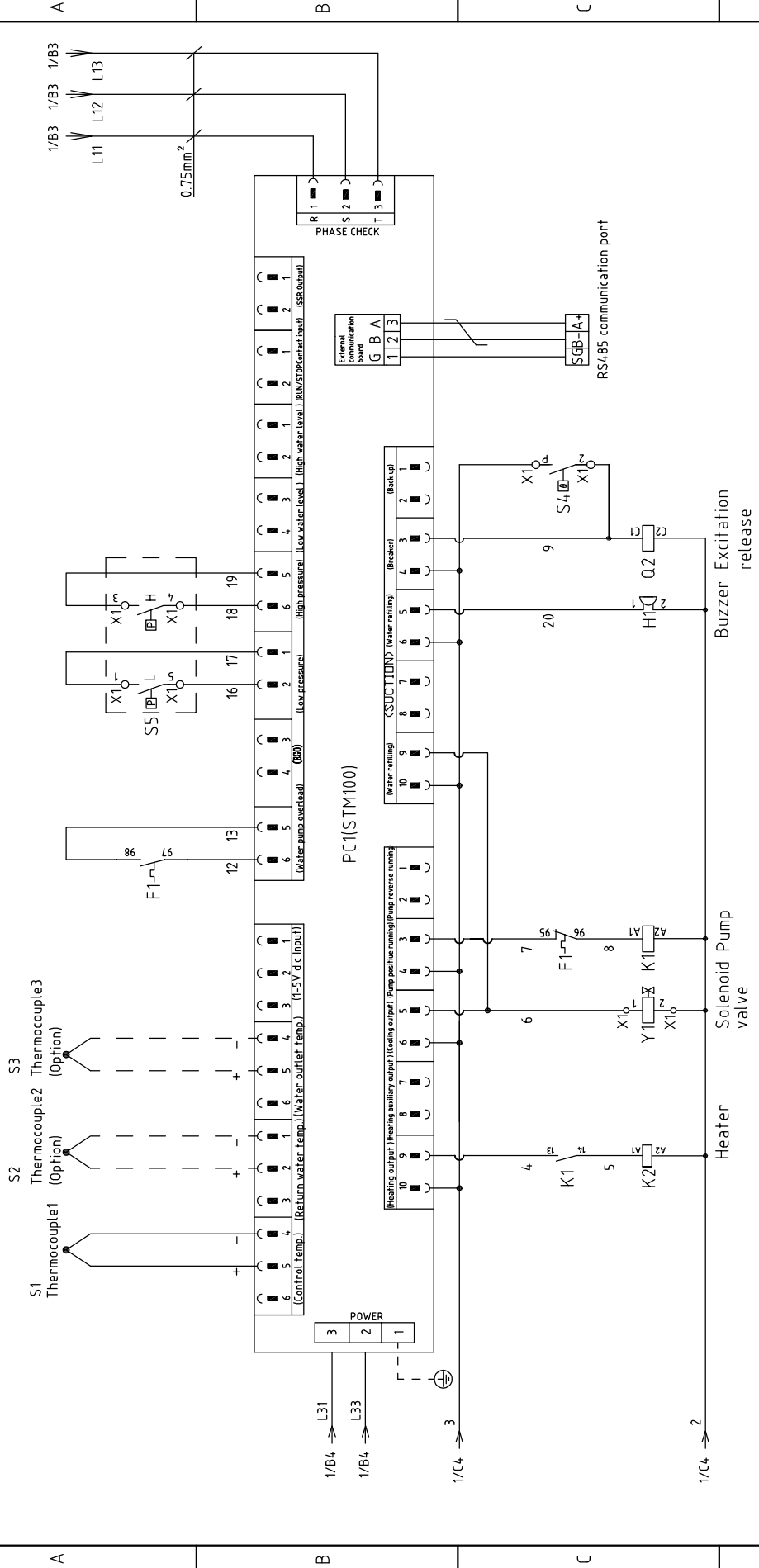
版本	Ver.E
Mark	Before modification
	After modification
	Modified by
	Modify date
	Checked by
	Proofread by
	Designer
	Drawer
	Version
	E

Drawing NO.		Page 1	
Title		Standard	
STM-1220WF		CE	
Main Circuit Diagram		Voltage	
STM-1220WF-CE-230V-E-1		Frequency	
		230V	
		50HZ	
		Totally 4	
		Pages	



P=1.1kW
IN=4.38A
Pump

P=12kW
IN=31.4A
Heater



版本	Ver.E
Mark	Before modification
	Modified by
	Modify date
	Checked by
	Date
	Approved by
	Version
	E

Drawing NO.		STM-1220WF-CE-230V-E-2	
Title		STM-1220WF Control Circuit Diagram	
Scale		Standard CE	
Page		2	
Standard		Voltage	
Totally		4	
Pages		230V	
Frequency		50HZ	
Voltage		Frequency	
Frequency		230V	
Frequency		50HZ	

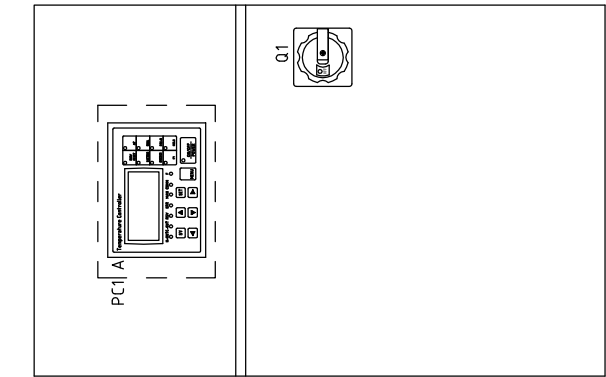
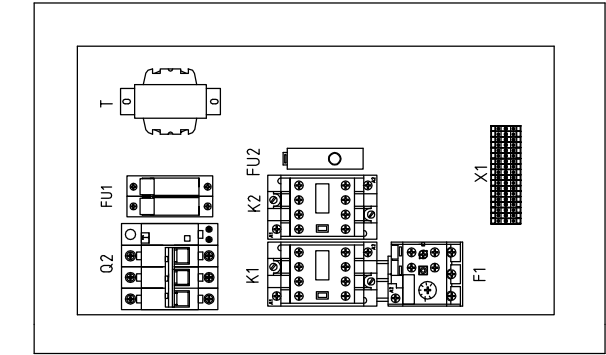
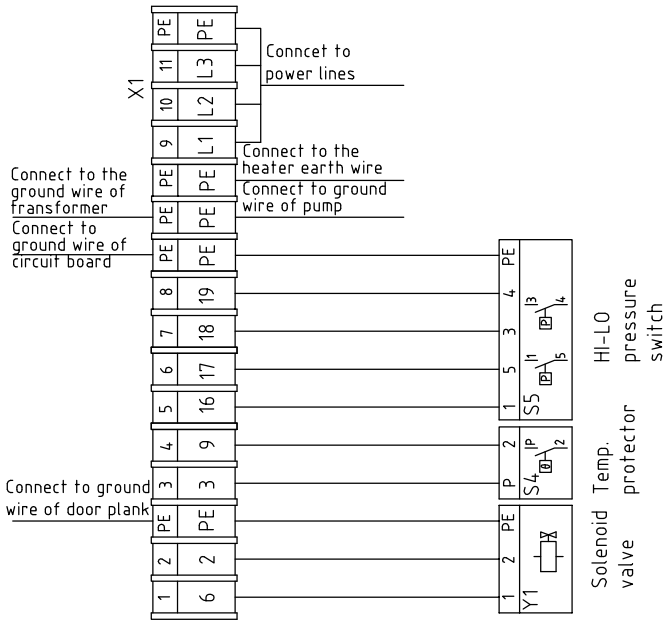


A

B

C

D



Technical requirements: Pump and pipe heater should be directly connected to the output terminals of contactor and thermal overload relay.

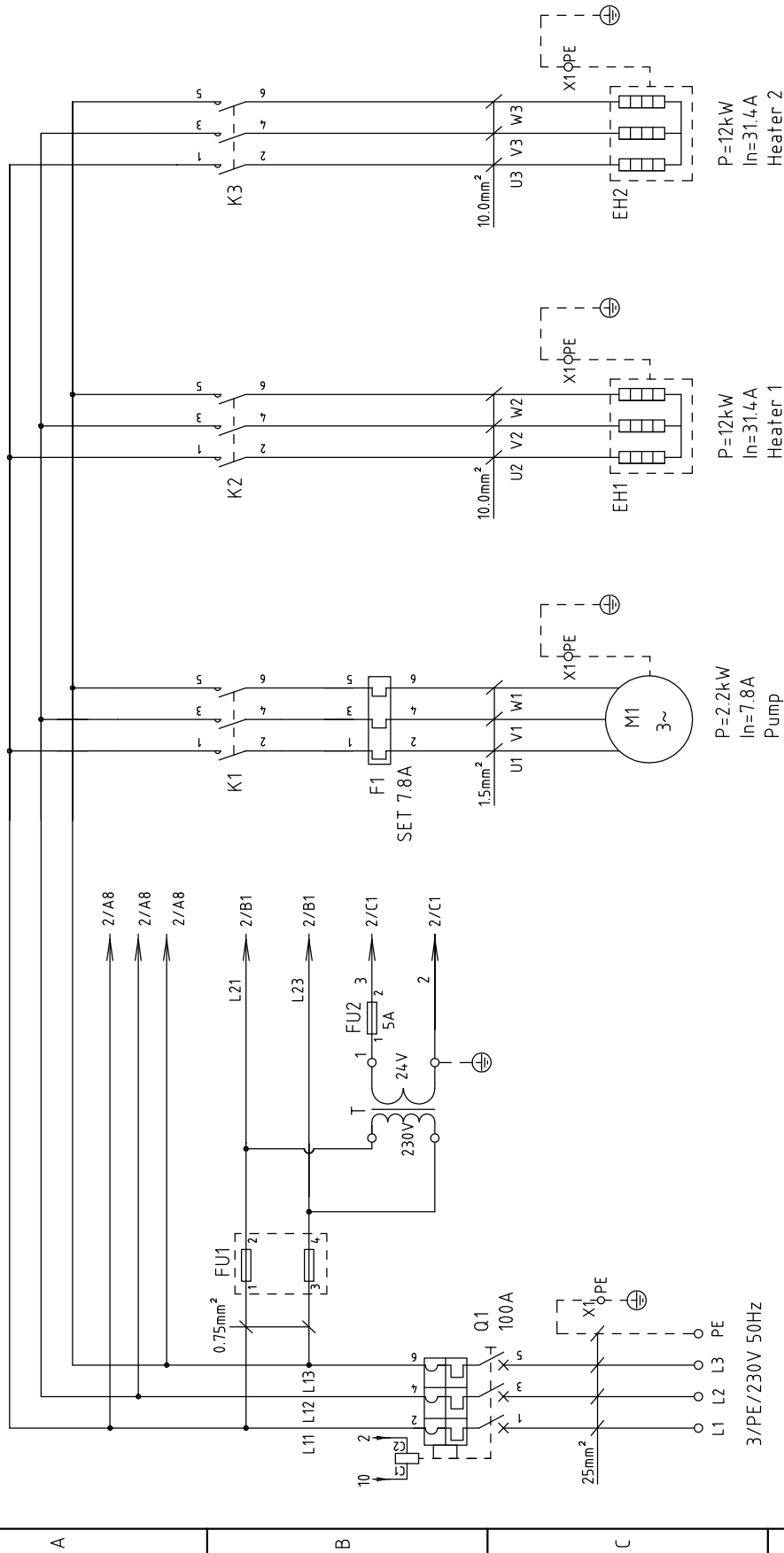
版本	Ver.E
Mark	Before modification
	After modification
	Modified by
	Modify date
	Checked by
	Approved by
	Date
	20170425

Title	STM-1220WF	Version	E
Electrical Components Layout	STM-1220WF-CE-230V-E-3	Approved by	
Scale	Standard	Checked by	
Page	3	Date	20170425
Totally	4	Modify date	
Pages	4	After modification	
Standard	CE	Modified by	
Voltage	230V	Checked by	
Frequency	50Hz	Approved by	



1		2		3		4		5		6		7		8	
NO.	Symbol	Name	Manufacturer	Type	Specification	Number	Material number	Remark							
1	Q1	Main Switch	EATON	P3-63/EA/SVB	63A	1	YE10636300000								
2	Q2	Circuit Breakers	TECO	BM-63C	50A	1	YE40305003000								
3		Release	TECO	MX	24VAC	1	YE40024000000								
4	K1	Contactors	SIEMENS	3RT6015-1AB01	24VAC	1	YE00601502500								
5	K2	Contactors	SIEMENS	3RT6028-1AC20	24VAC	1	YE00602802600								
6	F1	Overload Relays	SIEMENS	3RU6116-1FB0	3.5-5A	1	YE01160350000								
7	FU1	Fuse Base	CHNT	RT18-32	32A 2P	1	YE41032200000								
8		Fuse Core	MRO	10×38 500V	2A	2	YE46002000100								
9	FU2	Fuse	YINDA	FS-10	----	1	YE41001000000								
10		Fuse	----	6×30/5A	5A	1	YE46630500100								
11	T	Transformer	BAIYUN	IN=230V OUT=24VAC	120VA	1	YE70023005500								
12	S1	Thermocouple	SHINI	----	----	1	----	(1)							
13	S2 S3	Thermocouple	SHINI	----	----	2	----	(1)(2)							
14	S4	Overheat Protector	----	----	----	1	----	(1)							
15	S5	HI-LO pressure switch	FENSHEN	P830HLM	Hi-30bar L: 0.7-6bar	1	----	(1)							
16	PC1 A	Circuit Board	YUYUN	TM-01-220VAC(含通讯)	180~430V 50/60Hz	1	YE81012200300								
17	H1	Buzzer	----	PK-35A	24VAC/DC	1	YE84003500600								
18	Y1	Solenoid Valve	----	----	24VAC	1	----	(1)							
19	X1	Terminal Board	----	2.5mm ²	----	8	YE60002503200								
20		Terminal Board	----	2.5mm ² PE	----	3	YE60002503400								
21		Terminal Board	----	10mm ²	----	3	YE60001003200								
22		Terminal Board	----	10mm ² PE	----	2	YE60001003500								
23	M1	Motor	SHINI	----	230V 50Hz 1.1kW	1	----	(1)							
24	EH	Heater	SHINI	12kW	230V 50Hz	1	----	(1)							
版本 Ver.E Notes: (1)Means it's not the material inside the control box.(2)Means equipped with function of displaying water outlet and return water temperature.															
D		Drawing NO.		Title		Scale		Page		Standard		Voltage		Frequency	
		STM-1220WF		Electrical Components List		STM-1220WF-CE-230V-E-4		4		CE		230V		50HZ	
Mark		Before modification		Modified by		Modify date		After modification		Checked by		Date		20170425	
1		2		3		4		5		6		7		8	

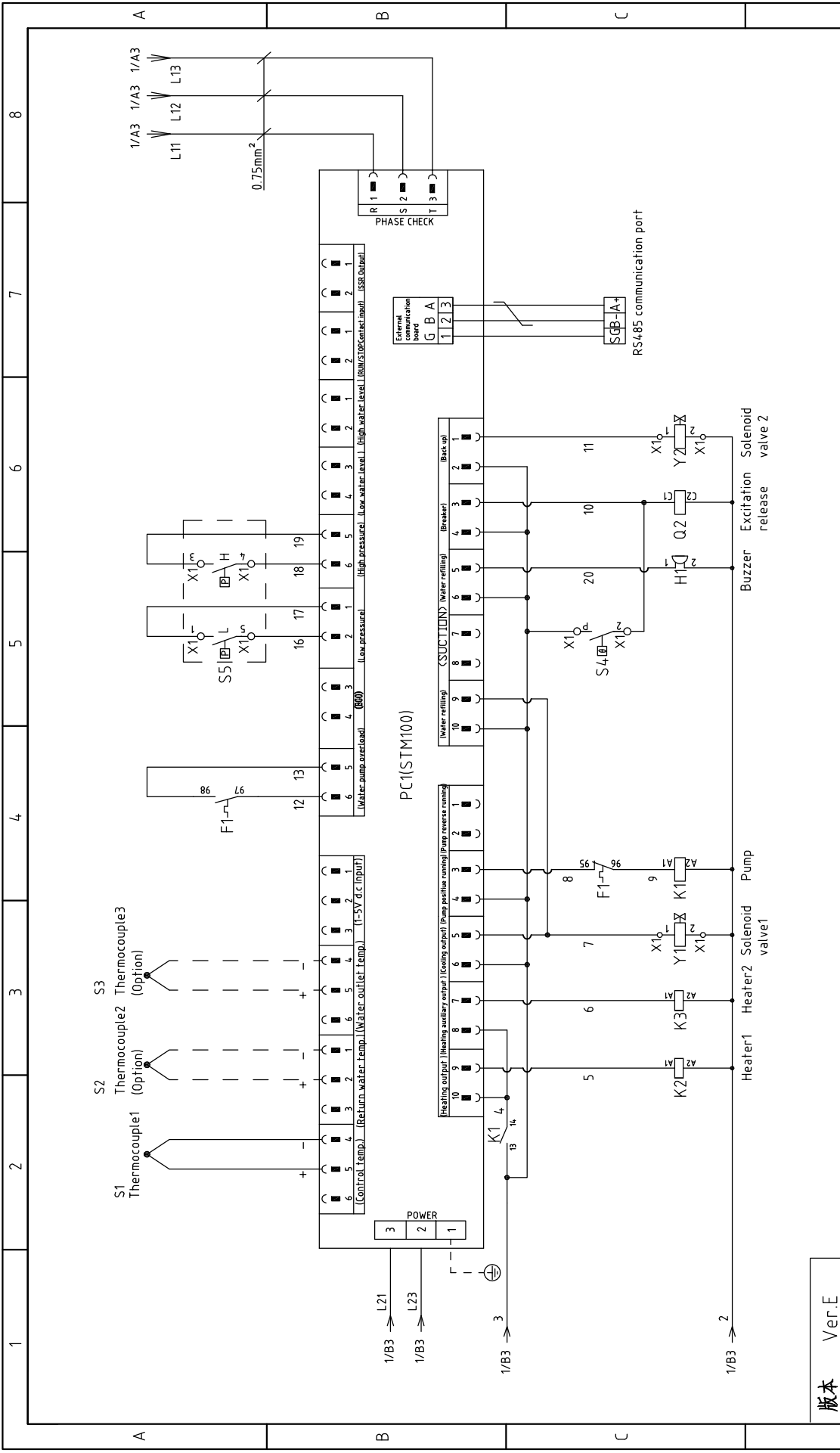





版本	Ver.E
Mark	Before modification
Mark	After modification
Modified by	
Modify date	
Checked by	
Date	20170425
Approved by	
Version	E
Drawer	

Title		Drawing NO.	
STM-24-30WF		STM-24-30WF-CE-230V-E-1	
Main Circuit Diagram		Scale	
		Standard	
		Voltage	
		Frequency	
		Page 1	
		Totally 4	
		Pages	
		230V	
		50HZ	





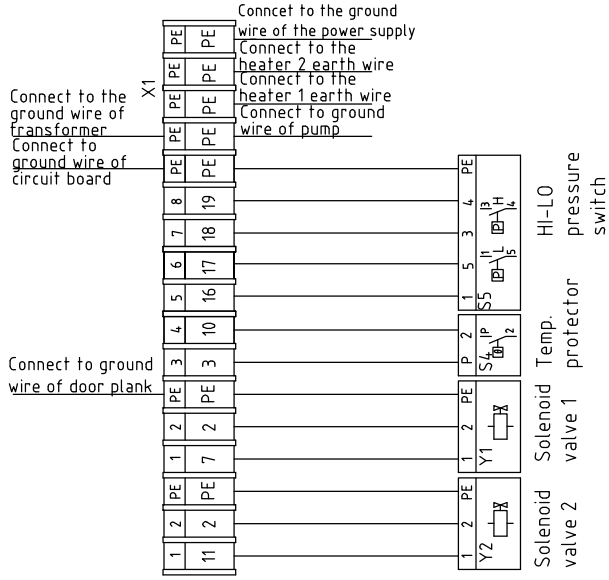
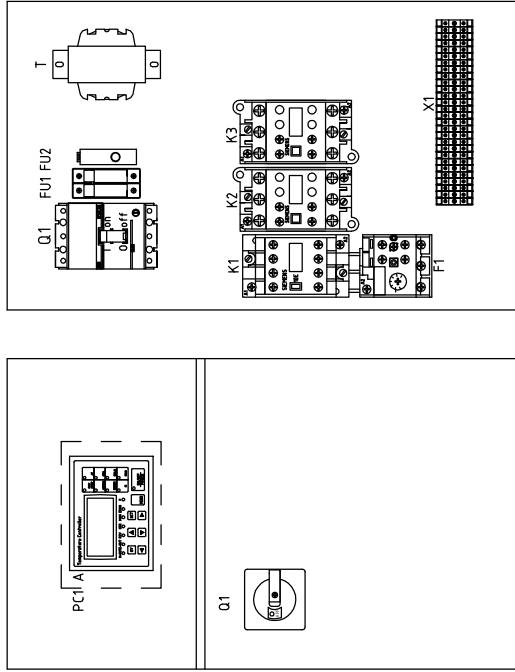
版本	Ver.E		Scale	Standard		Drawing NO.	STM-2430WF-CE-230V-E-2		Page	2	
				CE			Voltage			230V	
Mark	Before modification	Modified by	Modify date	Checked by	Date	20170425		Frequency		50HZ	
 信易電熱機械股份有限公司 Shini Plastics Technologies, Inc.											

A

B

C

D



Technical requirements: Pump and pipe heater should be directly connected to the output terminals of contactor and thermal overload relay.

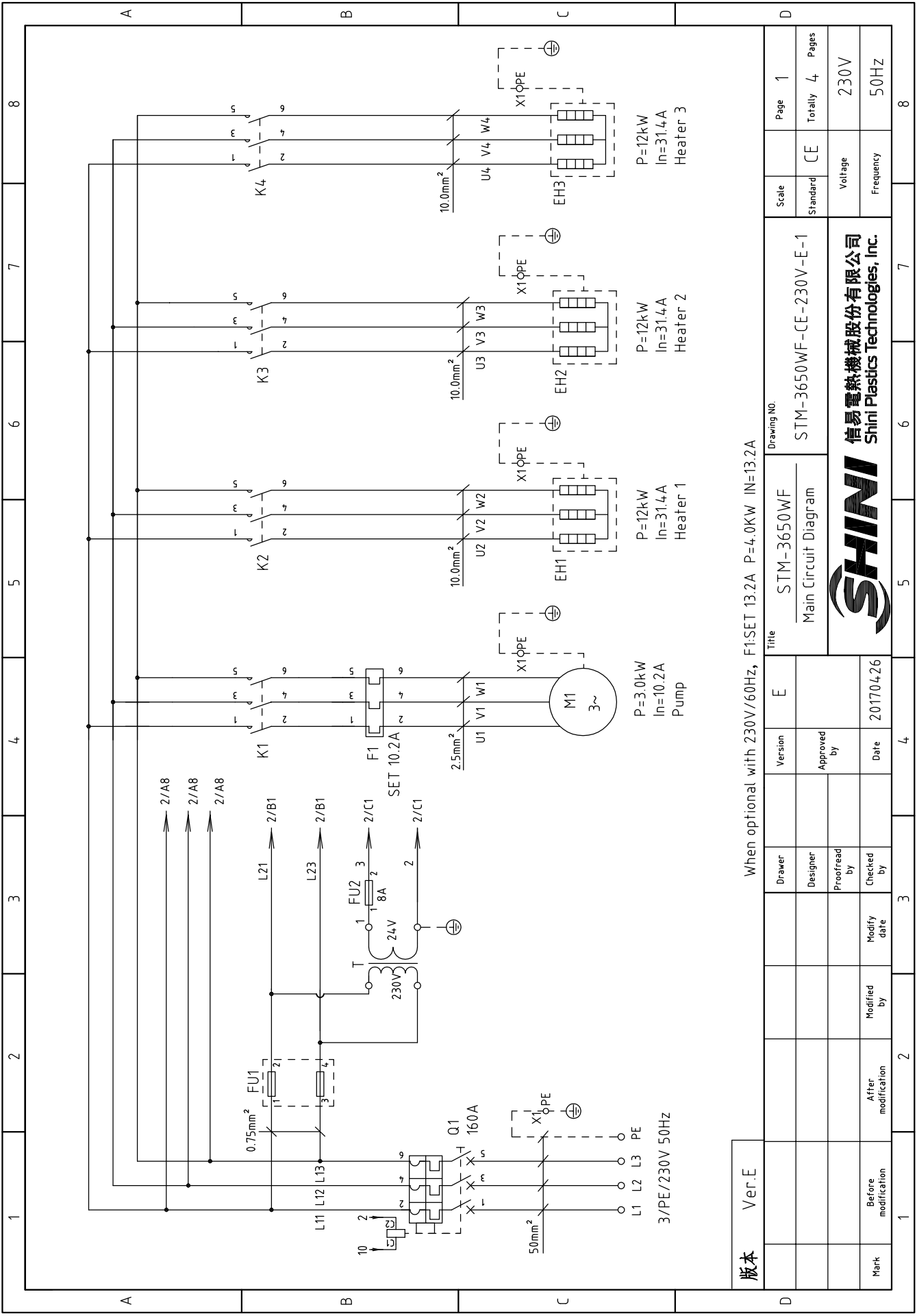
版本	Ver.E	Drawer	Version	Title		Scale	Page
Mark	Before modification	Designer	Approved by	STM-2430WF Electrical Components Layout		Standard	Totally 4 Pages 3
	After modification	Proofread by	Date	STM-2430WF-CE-230V-E-3		Voltage	230V
	Modify date	Checked by	20170425			Frequency	50HZ



1		2		3		4		5		6		7		8	
NO.	Symbol	Name	Manufacturer	Type	Specification	Number	Material number	Remark							
1	Q1	Breaker Interlock	ABB	A1A125TMF100/10003PFF	100A	1	YE41110200000								
2		Release	ABB	SOR-C	24V-30V AC/DC	1	YE40243000900								
3	K1	Contactors	SIEMENS	3RT6017-1AB01	24VAC	1	YE00601702500								
4	K2 K3	Contactors	SIEMENS	3RT6028-1AC20	24VAC	2	YE00602802600								
5	F1	Overload Relays	SIEMENS	3RU6116-1JB0	7-10A	1	YE01167100000								
6	T	Transformer	BAIYUN	IN=230V OUT=24VAC	120VA	1	YE70023005500								
7	FU1	Fuse Base	CHINT	RT18-32	32A 2P	1	YE41032200000								
8		Fuse Core	MRO	10x38 500V	2A	2	YE46002000100								
9	FU2	Fuse	YINDA	FS-10	-----	1	YE41001000000								
10		Fuse	----	6x30/5A	5A	1	YE46630500100								
11	S1	Thermocouple	SHINI	----	----	1	----	(1)							
12	S2 S3	Thermocouple	SHINI	----	----	2	----	(1)(2)							
13	S4	Overheat Protector	TONCEAO	ZA300	250V 5(4)A	1	----	(1)							
14	S5	HI-LO pressure switch	FENSHEN	P830HLM	Hi:5-30bar L:-0.7-6bar	1	----	(1)							
15	PC1 A	Circuit Board	YUYUN	TM-01-220VAC (含通讯)	180~430V 50/60Hz	1	YE81012200300								
16	H1	Buzzer	----	PK-35A	24VAC/DC	1	YE84003500600								
17	Y1	Solenoid Valve	----	----	24VAC	1	----	(1)							
18	X1	Terminal Board	----	2.5mm ²	----	8	YE60002503200								
19		Terminal Board	----	2.5mm ² PE	----	4	YE60002503400								
20		Terminal Board	----	10mm ² PE	----	2	YE60001003500								
21		Terminal Board	----	35mm ² PE	----	1	YE60003503500								
22	M1	Motor	SHINI	----	230V 50Hz 2.2kW	1	----	(1)							
23	EH1 EH2	Heater	SHINI	----	230V 50Hz 12kW	2	----	(1)							
版本 Ver.E Notes: (1)Means it's not the material inside the control box.(2)Means equipped with function of displaying water outlet and return water temperature.															
				Title		Version		E		Drawing NO.		Scale		Page	
				STM-24-30WF		Approved by				STM-24-30WF-CE-230V-E-4		Standard		Page	
				Electrical Components List		Checked by				CE		Voltage		Page	
				Date		Proofread by				Voltage		Frequency		Page	
Mark		Before modification		20170425		Checked by				230V		50HZ		4	
1		2		3		4		5		6		7		8	



信易电热机械股份有限公司
Shini Plastics Technologies, Inc.

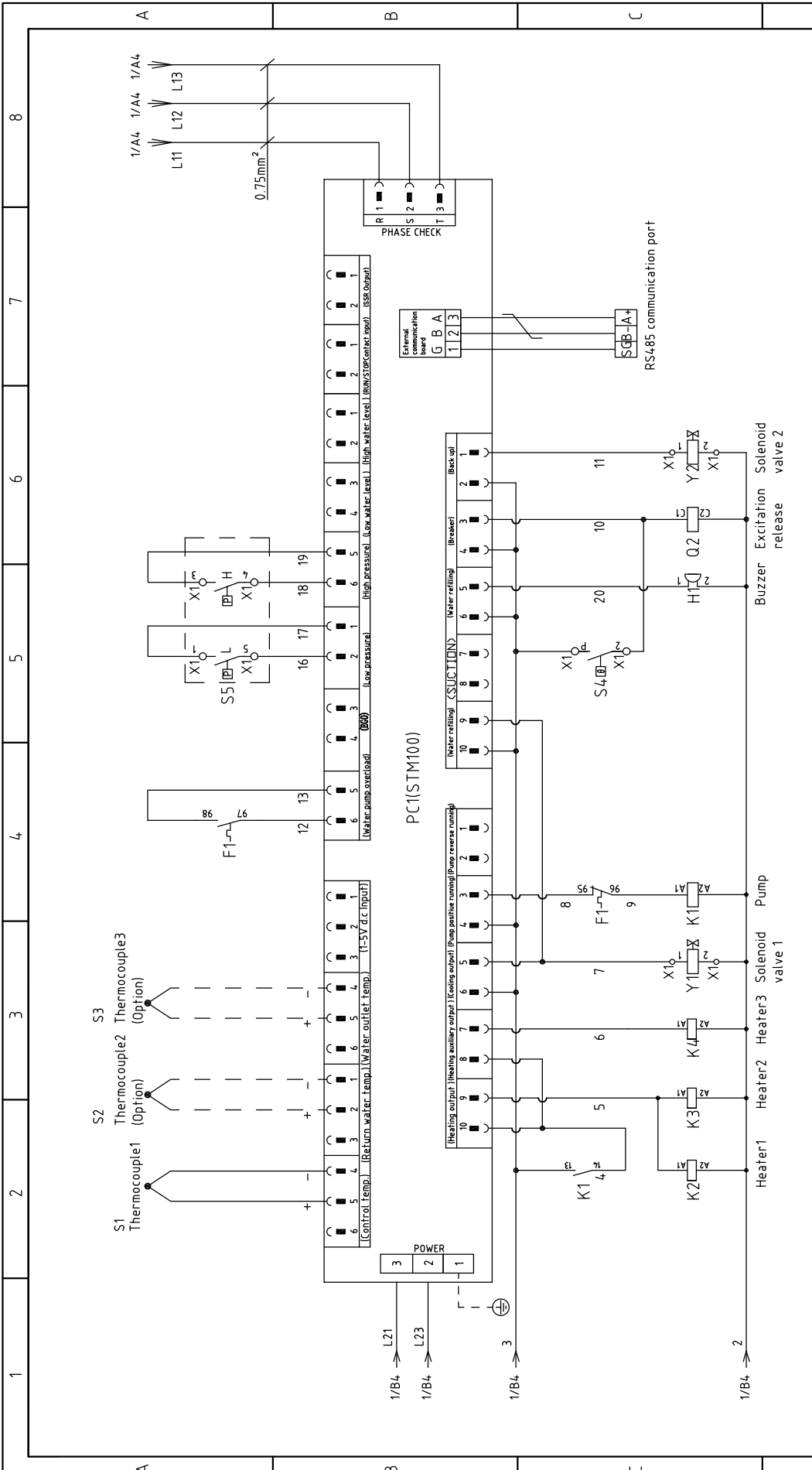


版本 Ver.E

When optional with 230V/60Hz, F1:SET 13.2A P=4.0KW IN=13.2A

D	Title	Drawing NO.		Page 1
		STM-3650WF	STM-3650WF-CE-230V-E-1	
Mark	Version	Main Circuit Diagram		Voltage 230V
		Approved by	CE	
After modification	Modified by	Date	20170426	8





Mark	Before modification	Modified by	Modify date	Proofread by	Checked by	Date	20170426
						Approved by	
						Version	E
						Title	

Ver.E		STM-3650WF		Control Circuit Diagram		Drawing NO.	
		Standard		CE		Scale	
		Voltage		230V		Page	
		Frequency		50HZ		Totally	
						4	
						2	

STM-3650WF-CE-230V-E-2		STM-3650WF		Control Circuit Diagram		Drawing NO.	
		Standard		CE		Scale	
		Voltage		230V		Page	
		Frequency		50HZ		Totally	
						4	
						2	



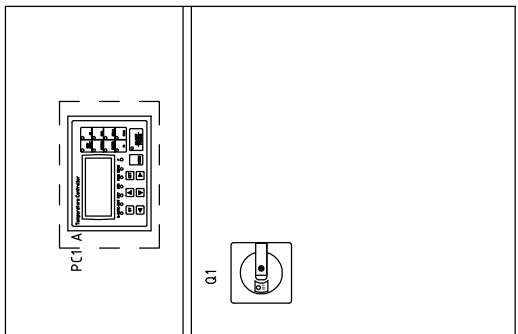
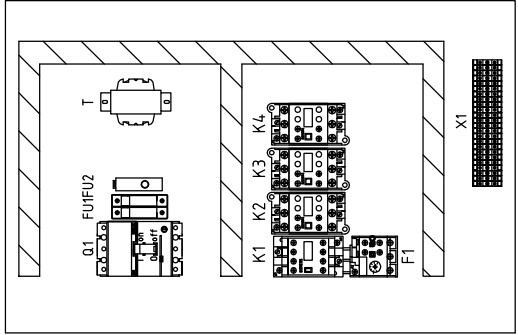
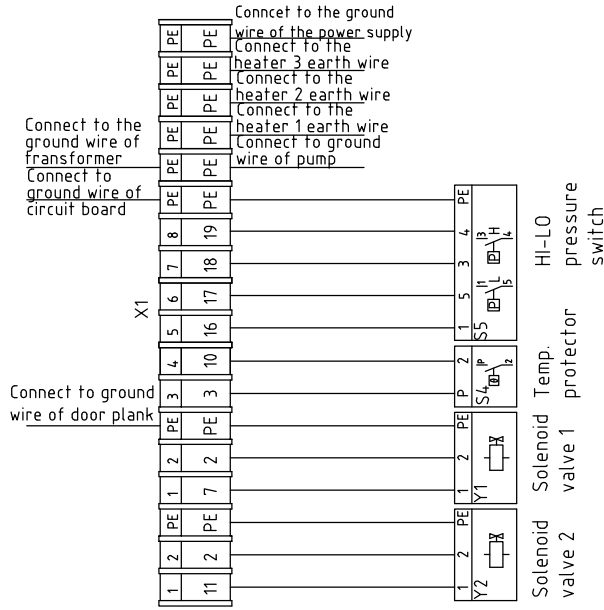
1 2 3 4 5 6 7 8

A

B

C

D



Technical requirements: Pump and pipe heater should be directly connected to the output terminals of contactor and thermal overload relay.(2)Main power inlet directly connects to breaker interlock without passing by terminal board.

版本	Ver.E
Mark	Before modification
	After modification
	Modified by
	Modify date
	Checked by
	Proofread by
	Designer
	Drawer
	Version
	E
	Approved by
	Date
	20170426

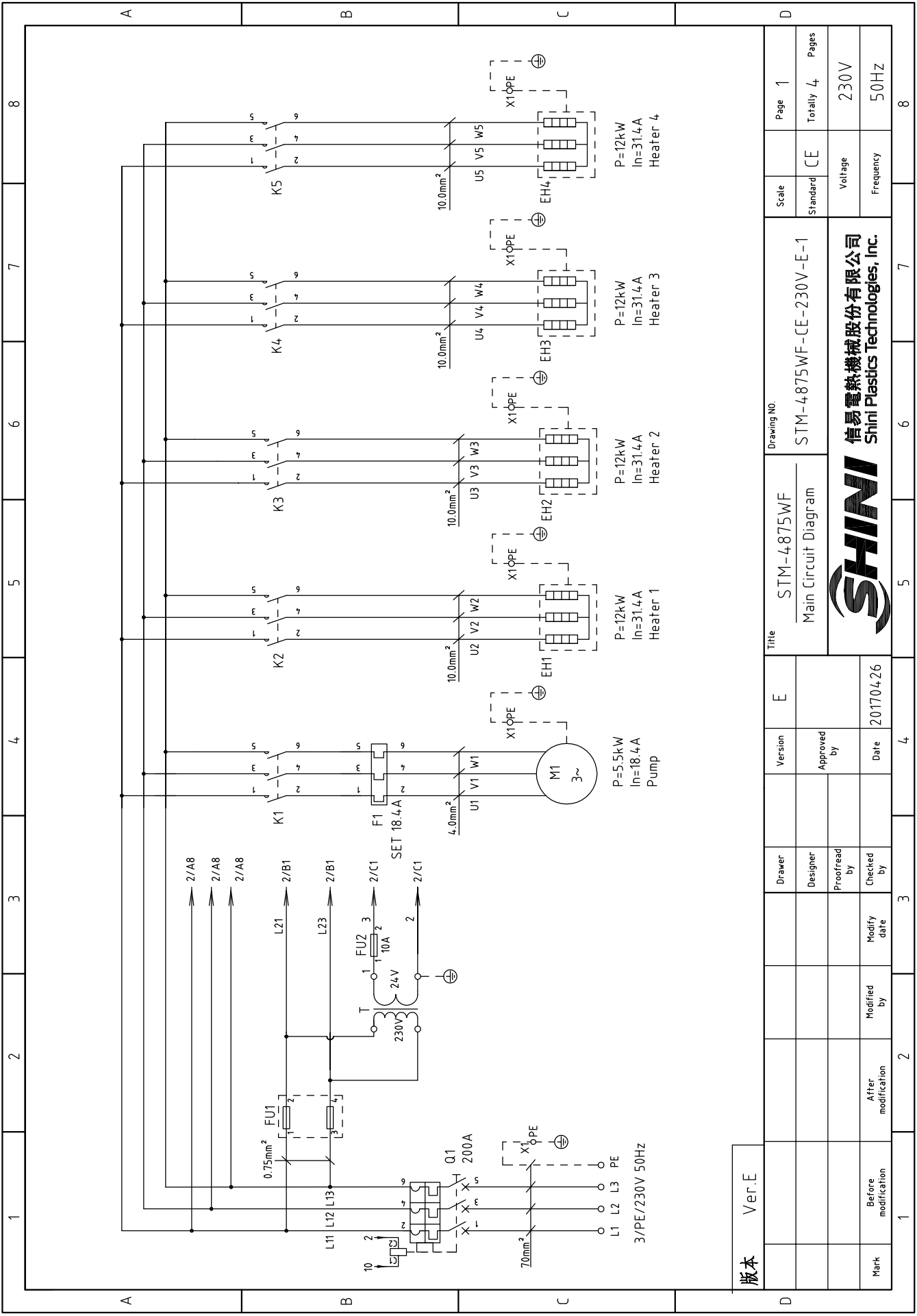
Scale	Standard	Page	3
	CE	Totally	4
		Pages	
		Voltage	230V
		Frequency	50HZ

Drawing NO.	STM-3650WF-CE-230V-E-3
Title	STM-3650WF
Electrical Components Layout	



1 2 3 4 5 6 7 8

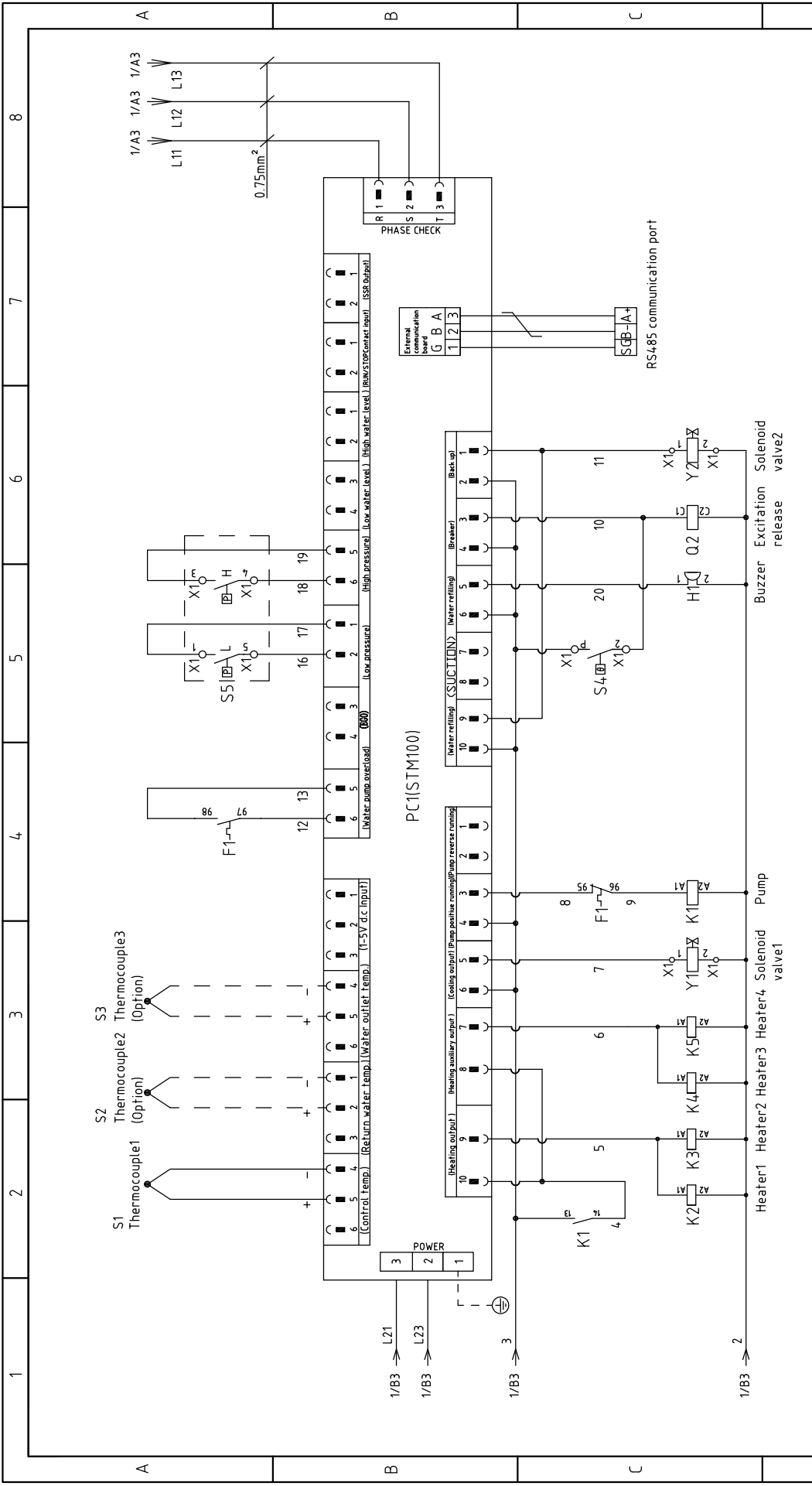
1		2		3		4		5		6		7		8	
NO.	Symbol	Name	Manufacturer	Type	Specification	Number	Material number	Remark							
1	Q1	Breaker Interlock	ABB	A2B250TMF160/16003PFF	160A	1	YE41161500000								
2		Release	ABB	SOR-C	24V-30V AC/DC	1	YE40243000900								
3	K1	Contactors	SIEMENS	3RT6025-1AC20	24VAC	1	YE00602502600								
4	K2 K3 K4	Contactors	SIEMENS	3RT6028-1AC20	24VAC	3	YE00602802600								
5	F1	Overload Relays	SIEMENS	3RU6126-1KB0	9-12.5A	1	YE01260900000								
6	F1	Overload Relays	SIEMENS	3RU6126-4AB0	11-16A	1	YE01260110000	(3)							
7	T	Transformer	BAIYUN	IN=230V OUT=24VAC	180VA	1	YE70023005600								
8	FU1	Fuse Base	CHINT	RT18-32	32A 2P	1	YE41032200000								
9		Fuse Core	MRO	10x38 500V	2A	2	YE46002000100								
10	FU2	Fuse	YINDA	FS-10	----	1	YE41001000000								
11		Fuse	----	6x30/8A	8A	1	YE46863000200								
12	S1	Thermocouple	SHINI	----	----	1	----	(1)							
13	S2 S3	Thermocouple	SHINI	----	----	2	----	(1)(2)							
14	S4	Overheat Protector	TONCEAO	ZA300	250V 5(4)A	1	----	(1)							
15	S5	HI-LO pressure switch	FENSHEN	P830HLM	H:5-30bar L:0.7-6bar	1	----	(1)							
16	PC1 A	Circuit Board	YUYUN	TM-01-220VAC(含通讯)	180~430V 50/60Hz	1	YE81012200300								
17	H1	Buzzer	----	PK-35A	24VAC/DC	1	YE84003500600								
18	Y1 Y2	Solenoid Valve	----	----	24VAC 50/60Hz	2	----	(1)							
19	X1	Terminal Board	----	2.5mm ²	----	10	YE60002503200								
20		Terminal Board	----	2.5mm ² PE	----	4	YE60002503400								
21		Terminal Board	----	10mm ² PE	----	3	YE60001003500								
22		Terminal Board	----	35mm ² PE	----	1	YE60003503500								
23	M1	Motor	----	3.0kW	230V 50Hz	1	----	(1)							
24	M1	Motor	----	4.0kW	230V 60Hz	1	----	(1)(3)							
25	EH1 EH2 EH3	Heater	----	12kW	230V 50Hz	3	----	(1)							
版本 Ver.E Notes: (1)Means it's not the material inside the control box.(2)Means equipped with function of displaying water outlet and return water temperature.(3)Means equipped with 230V/60Hz.															
D Drawing NO. STM-3650WF Electrical Components List STM-3650WF-CE-230V-E-4 Scale Standard CE Voltage 230V Page 4															
Totaly 4 Pages															
SHINI 信易电热机械股份有限公司 Shini Plastics Technologies, Inc.															
Mark	Before modification	Modified by	Modify date	Checked by	Date										
			20170426												
1	2	3	4	5	6	7	8								



版本 Ver.E

D	Title	STM-4875WF		Drawing NO.	STM-4875WF-CE-230V-E-1		Scale	Page 1
		Main Circuit Diagram			Standard	CE		Totally 4
Mark	Before modification	Modified by	Modify date	Checked by	Date	20170426	Voltage	230V
								Approved by
Designer	Proofread by	Approved by	Version	E	Checked by	Date	20170426	





版本	Ver. E
Mark	Before modification
	Modified by
	Modify date
	Checked by
	Proofread by
	Designer
	Drawer
	Version
	Approved by
	Date
	20170426

Title		Drawing NO.	
STM-4875WF		STM-4875WF-CE-230V-E-2	
Control Circuit Diagram			
Scale		Page	
Standard		CE	
Voltage		230V	
Frequency		50Hz	
Totally		4	
Pages		8	

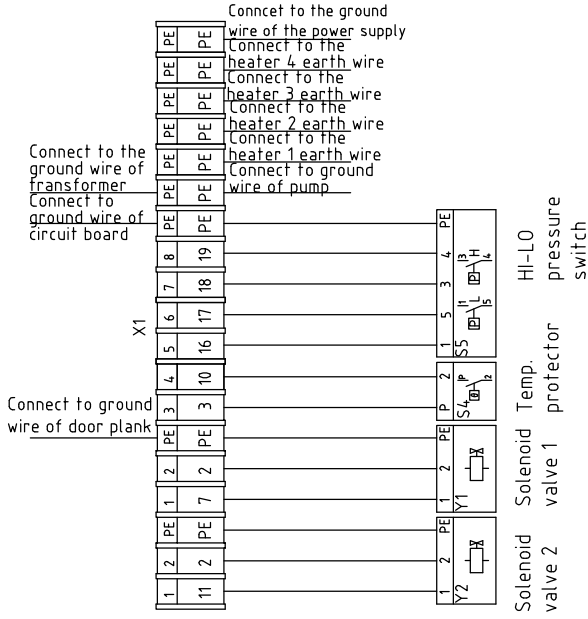
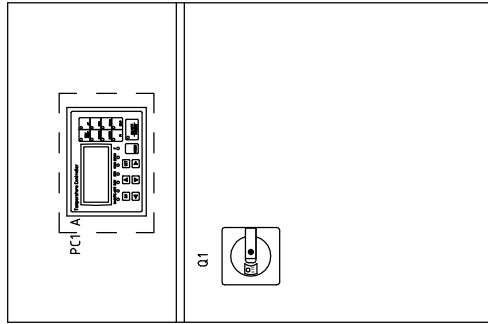


A

B

C


D



Technical requirements: Pump and pipe heater should be directly connected to the output terminals of contactor and thermal overload relay.(2)Main power inlet directly connects to breaker interlock without passing by terminal board.

版本	Ver.E	Drawer	Version	E	Title	STM-4875WF Electrical Components Layout	Scale	Standard	Page	3
Mark	Before modification	Designer	Approved by		Drawing NO.	STM-4875WF-CE-230V-E-3	Standard	CE	Totally	4
	After modification	Proofread by	Date	20170426				Voltage		230V
	Modify date	Checked by						Frequency		50HZ



1	2		3	4	5	6	7	8	
NO.	Symbol	Name	Manufacturer	Type	Specification	Number	Material number	Remark	
1	Q1	Breaker Interlock	ABB	A2B250TMF200/20003PFF	200A	1	YE41252200000		
2		Release	ABB	SOR-C	24V-30V AC/DC	1	YE40243000900		
3	K1	Contactors	SIEMENS	3RT6026-1AC20	24VAC	1	YE00602602600	A	
4	K2 K3 K4 K5	Contactors	SIEMENS	3RT6028-1AC20	24VAC	4	YE00602802600		
5	F1	Overload Relays	SIEMENS	3RU6126-4CB0	17-22A	1	YE01260170000		
6	T	Transformer	BAIYUN	IN=230V OUT=24VAC	230VA	1	YE70023005700		
7	FU1	Fuse Base	CHINT	RT18-32	32A 2P	1	YE41032200000		
8		Fuse Core	MRO	10x38 500V	2A	2	YE46002000100		
9	FU2	Fuse	YINDA	FS-10	----	1	YE41001000000		
10		Fuse	----	6x30/10A	10A	1	YE46631040000		
11	S1	Thermocouple	SHINI	----	----	1	----	(1)	
12	S2 S3	Thermocouple	SHINI	----	----	2	----	(1)(2)	
13	S4	Overheat Protector	TONCEAO	ZA300	250V 5(4)A	1	----	(1)	
14	S5	HI-LO pressure switch	FENSHEN	P830HLM	H1.5-30bar L1:0.7-6bar	1	----	(1)	
15	PC1 A	Circuit Board	YUYUN	TM-01-220VAC (含通讯)	180~430V 50/60Hz	1	YE81012200300		
16	H1	Buzzer	----	PK-35A	24VAC/DC	1	YE84003500600		
17	Y1 Y2	Solenoid Valve	----	----	24VAC 50/60Hz	2	----	(1)	
18	X1	Terminal Board	----	2.5mm ²	----	8	YE60002503200		
19		Terminal Board	----	2.5mm ² PE	----	3	YE60002503400		
20		Terminal Board	----	4mm ² PE	----	1	YE60000403500		
21		Terminal Board	----	10mm ² PE	----	4	YE60001003500		
22		Terminal Board	----	35mm ² PE	----	1	YE60003503500		
23	M1	Motor	----	5.5kW	230V 50Hz	1	----	(1)	
24	EH1 EH2 EH3	Heater	----	12kW	230V 50Hz	4	----	(1)	
版本 Ver.E Notes: (1)Means it's not the material inside the control box.(2)Means equipped with function of displaying water outlet and return water temperature.									
				Version	E	Title		D	
				Designer		Drawing NO.		Scale	Page
				Proofread by		STM-4875WF		Standard	Totally
				Checked by		Electrical Components List		CE	4
				Modify date		STM-4875WF-CE-230V-E-4		Voltage	Pages
				After modification		 信易电热机械股份有限公司 Shini Plastics Technologies, Inc.		Frequency	4
Mark	Before modification	Modified by	20170426	Date				230V	50HZ
1	2	3	4	5	6	7	8		