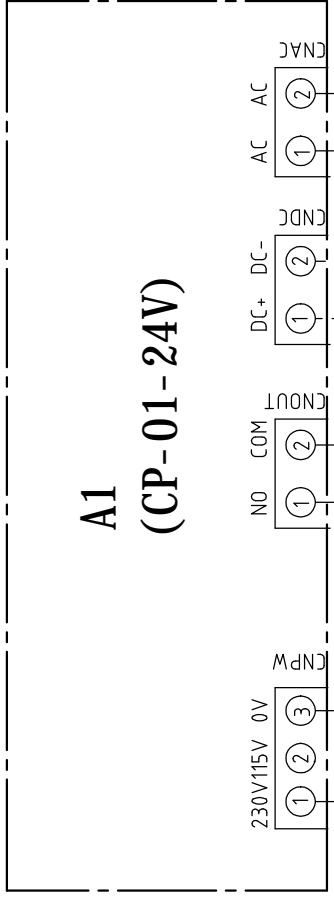
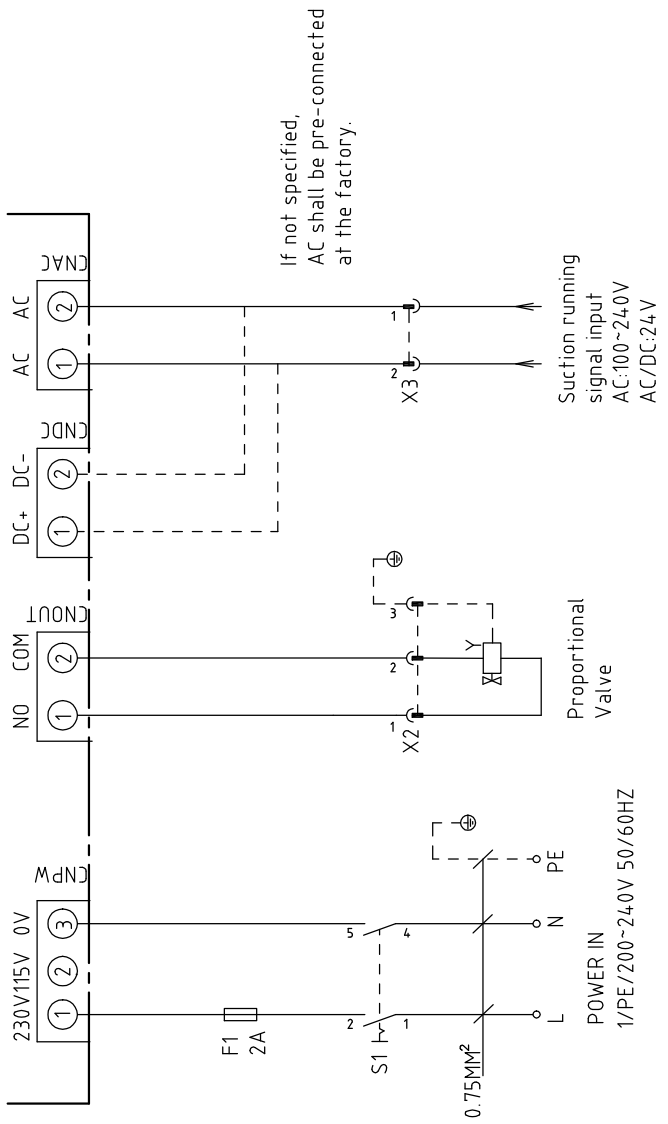


1 2 3 4 5 6 7 8



A1 (CP-01-24V)



机型版本 Ver. D		Title		Drawing No.		Page	
		SPV-U		SPV-U-CE-230V-A-1		1	
		电路图				Standard	
		Version		Scale		Voltage	
		Approved by		Standard		Frequency	
		Proofread by		Voltage		1∅230V	
		Checked by		Frequency		50/60HZ	
Mark		Modify date		Voltage		Frequency	
Before modification		20200401		1∅230V		50/60HZ	
After modification				1∅230V		50/60HZ	
1		4		7		8	



1		2		3		4		5		6		7		8	
NO.	Symbol	Name	Manufacturer	Type	Specification	Number	Material number	Remark							
1	F1	Glass fuse pipe	SHINI	SF-15	250V 2A	1	YE46201500000								
2		Exposed fuse box	---	6×30	250V 2A	1	YE46630200000								
3	S1	Micro alternative switch	REAB	VL100	12×19 5A	1	YE10121900000								
4	Y	Solenoid Valve	FESTO	---	24V 50/60Hz	1	---	(1)							
5	A1	Circuit Board	YUYUN	CP-01-24V	115/230VAC 50/60HZ	1	YE80012400200								
6	X1	Power plug cord	SHINI	MG-802/3P	250V 10A 3P	1	YE51802340000								
7	X2	Water-proof connector	AOPULO	AQF16K3Z	3P	1	YE62163000100								
8	X3	Metal connector	APEX	PLT-162-RR(公)	2P	1	YE68016200100								
									B						
									C						
									D						
机型版本 Ver. D															
Note: (1) Materials not in the control box;															
Title		Version		A		SPV-U		Drawing No.		SPV-U-CE-230V-A-3		Scale		Page 3	
Designer		Approved by				电气元件明细表二				CE		Standard		Totally 3 Pages	
Proofread by		Date		20200401								Voltage		1φ230V	
Checked by		Modify date										Frequency		50/60HZ	
Mark		After modification		Modified by		Modified date									
1		2		3		4		5		6		7		8	

