

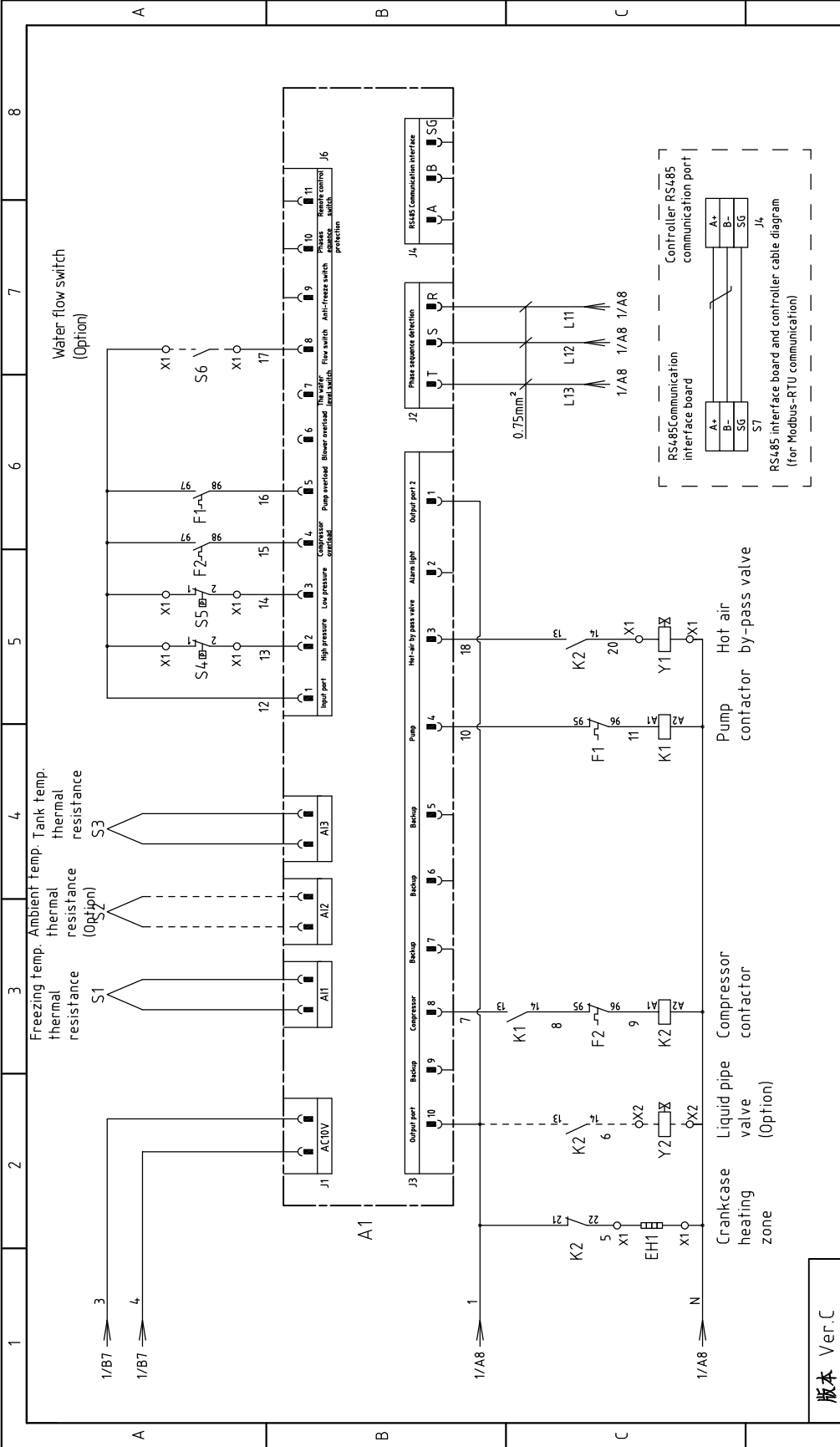
SIC-9W-R2: 0.75kW/1.8A
 SIC-9W-R2-P: 0.75kW/1.7A
 SIC-9W-R2-HP: 1.1kW/2.4A
 Pump motor
 Compressor

P=2.57kW
 IN=7.1A
 Compressor

版本 Ver.C

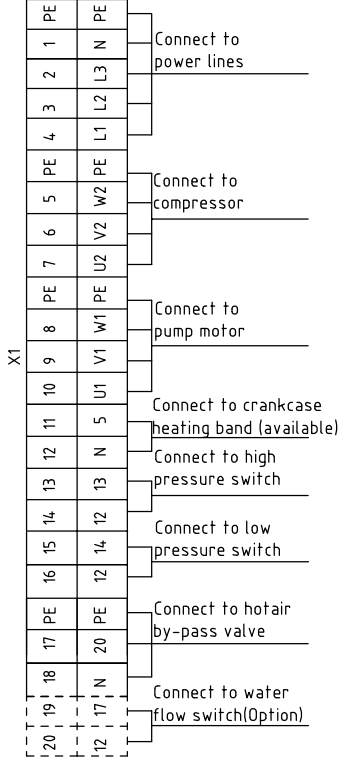
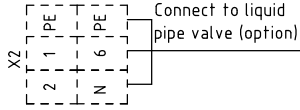
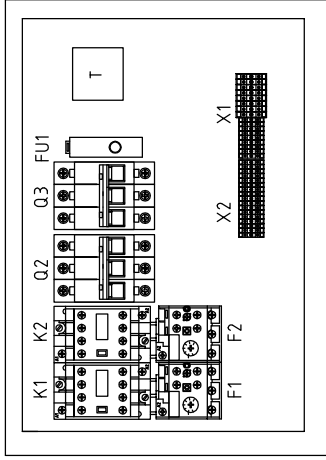
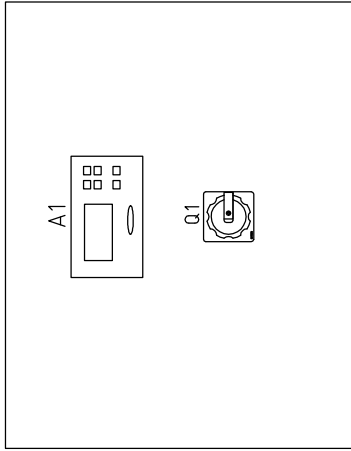
Drawing NO.		SIC-9W-R2-CE-400V-B-1		Scale	Page 1
Title		SIC-9W-R2		Standard	Totally 5
Version		Approved by		Voltage	Pages
Drawer 林栢正		Designer 林栢正		Frequency	400V
Proofread by		Checked by		50Hz	
Modified by		Modify Date		8	
Mark		Date 20170106		7	
Before modification		Date		8	
After modification		Date		7	
1		4		8	
2		3		7	
3		2		6	
4		1		5	
5		0		4	
6		9		3	
7		8		2	
8		7		1	





Version		Title		Drawing No.			
林栢正	SIC-9W-R2	SIC-9W-R2-CE-400V-B-2		Scale	Page 2		
林栢正	Control Circuit Diagram	Standard		CE	Totally 5		
Approved by		Voltage		400V			
Proofread by		Frequency		50Hz			
Checked by	20170106						
Modify date							
Modified by							
After modification							
Before modification							
Mark							
Ver.C		SHINI		信易塑料机械股份有限公司 Shini Plastics Technologies, Inc.			
1	2	3	4	5	6	7	8


1 2 3 4 5 6 7 8

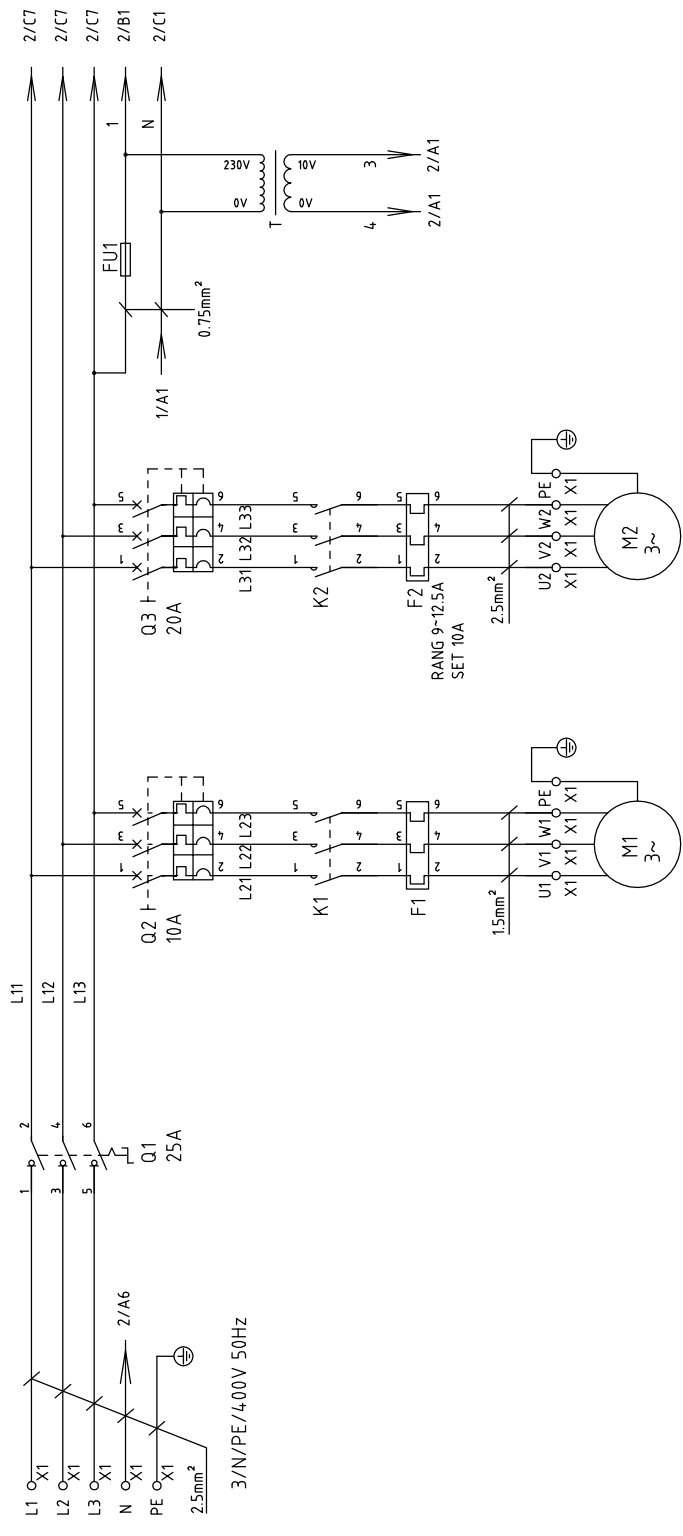


版本 Ver.C

Mark	Before modification	Modified by	Modify date	Checked by	Date	20170106	Approved by	林悟正	Version	B	Title	Drawing NO.		Scale	Page
	After modification	Modified by	Modify date									Standard	Page		
Electrical Components Layout												SIC-9W-R2-CE-400V-B-3	CE	Totally	5
SHINI 信易塑料机械股份有限公司 Shini Plastics Technologies, Inc.												Voltage	400V		
												Frequency	50HZ		
												Standard	CE	Totally	5
												Page	3		

1 2 3 4 5 6 7 8

1		2		3		4		5		6		7		8	
NO.	Symbol	Name	Manufacturer	Type	Specification	Number	Material number	Remark							
1	Q1	Main switch	MOELLER	TO-2-1/EA/SVB/16A	16A	1	YE10021160000								
2	Q2	Circuit breaker	TECO	BM-63C/3010S	10A	1	YE40301003000								
3	Q3	Circuit breaker	TECO	BM-63C/3016S	16A	1	YE40301603000	A							
4	K1	Contacto	SIEMENS	3RT6016-1AN21	230VAC 50/60Hz	1	YE00601621000								
5	K2	Contacto	SIEMENS	3RT6017-1AN21	230VAC 50/60Hz	1	YE00601721000								
6		Auxiliary block	SIEMENS	3RH6911-1HA11	1NO-1NC	1	YE00691100100								
7	F1	Thermo overload relay	SIEMENS	3RU6116-1BB0	1.4-2A	1	YE0116014.0000	SIC-9W-R2							
8	F1	Thermo overload relay	SIEMENS	3RU6116-1BB0	1.4-2A	1	YE0116014.0000	SIC-9W-R2-P							
9	F1	Thermo overload relay	SIEMENS	3RU6116-1DB0	2.2-3.2A	1	YE01160220000	SIC-9W-R2-HP							
10	F2	Thermo overload relay	SIEMENS	3RU6116-1JB0	7-10A	1	YE011617100000								
11	FU1	Fuse	YINDA	FS-10	2A	1	YE410010000000	B							
12	A1	Controller	PUNP	SF317500A	AC 10V	1	YE80000100900								
13	S1	Anti-freezing temp. RTD	PUNP	RTD	----	1	----								
14	S3	Water tank temp. RTD	PUNP	RTD	----	1	----								
15	T	Transformer	PUNP	IN=220V OUT=9.8V	----	1	----								
16	S4	H1 pressure switch	----	----	----	1	----	(1)							
17	S5	L0 pressure switch	----	----	----	1	----	(1)							
18	S6	Water flow switch	----	----	----	1	----	(1)(3)							
19	S7	Communication interface board RS-485 (double Dsub-9pin connector)	----	----	----	1	YE90048501200	C							
20		Shell RS485(SAL-700G-A-19)0	----	----	----	1	YR40048500000								
21	X1	Terminal board	----	2.5mm ²	----	18	YE60002503200								
22		Terminal board	----	2.5mm ² PE	----	4	YE60002503400								
23		Terminal board	----	2.5mm ²	----	2	YE60002503200	(3)							
24	X2	Terminal board	----	2.5mm ²	----	2	YE60002503200	(2)							
25		Terminal board	----	2.5mm ² PE	----	1	YE60002503400	(2)							
版本 Ver.C Notes: (1)Means it's not the material inside the control box.(2) Stands for optional liquid pipe valve. (3)Stands for optional water flow switch.															
		Drawer		Version		B		Title		SIC-9W-R2		Drawing NO		Scale	
		Designer		Approved by				Electrical Components List 1		SIC-9W-R2-CE-4.00V-B-4		Standard		CE	
		Proofread by		Date		20171016		 信易塑料机械股份有限公司 Shini Plastics Technologies, Inc.		Voltage		4.00V		Pages	
Mark		Before modification		Modified by		Modify date				Frequency		5.0Hz		Page 4	
1		2		3		4		5		6		7		8	



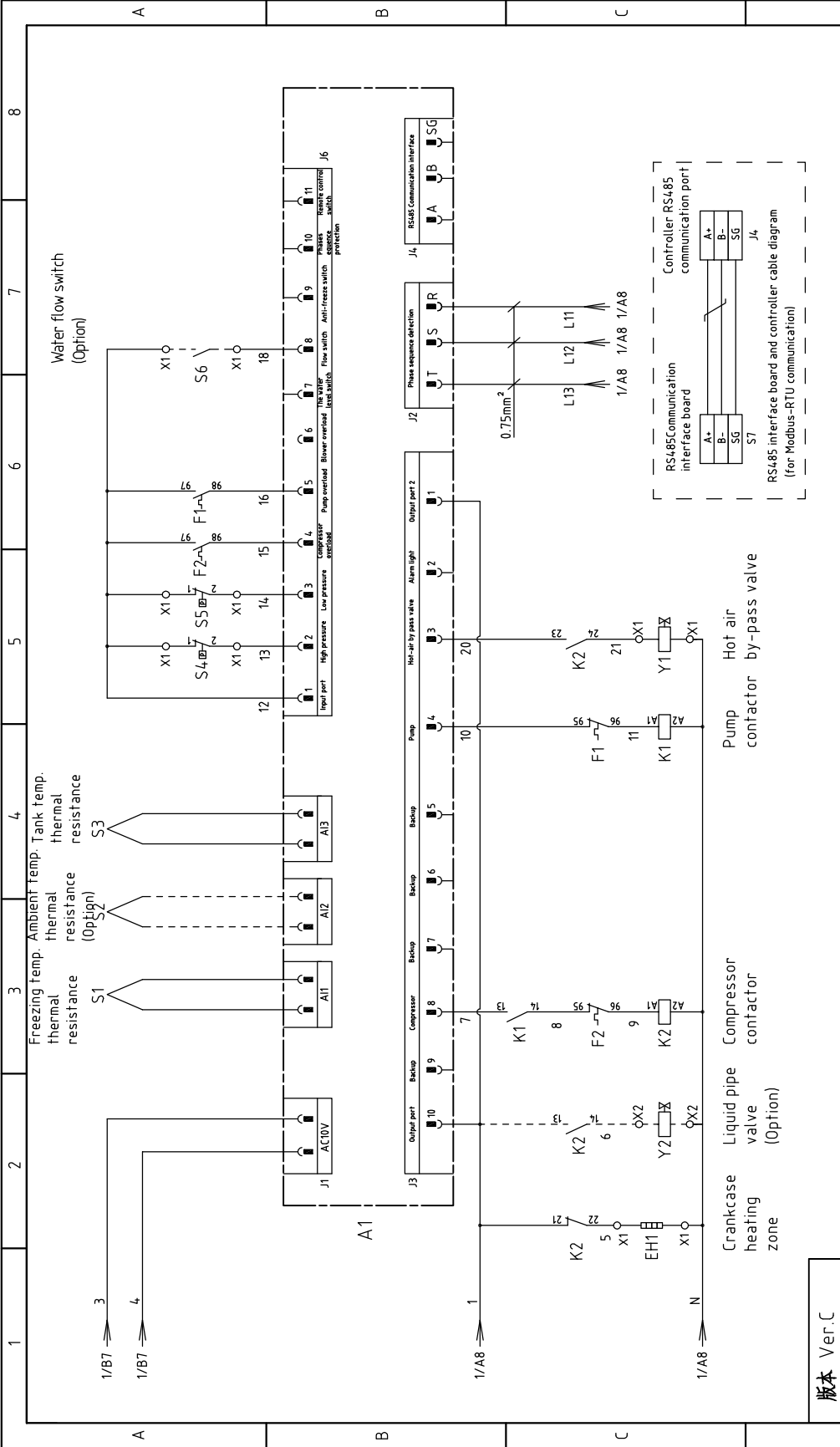
SIC-14W-R2: 0.75kW/18A
 SIC-14W-R2-P: 0.75kW/1.7A
 SIC-14W-R2-HP: 1.1kW/2.4A
 Pump motor
 Compressor

P=3.55kW
 IN=10A
 Compressor

版本 Ver.C

Drawing NO.		SIC-14W-R2		Page 1	
Title		Main Circuit Diagram		Scale	
Version		林栢正		Standard	
Designer		林栢正		Voltage	
Proofread by				Frequency	
Checked by				400V	
Modify Date				50Hz	
After modification				Totally	
Before modification				5	
Mark				Pages	
1		2		8	



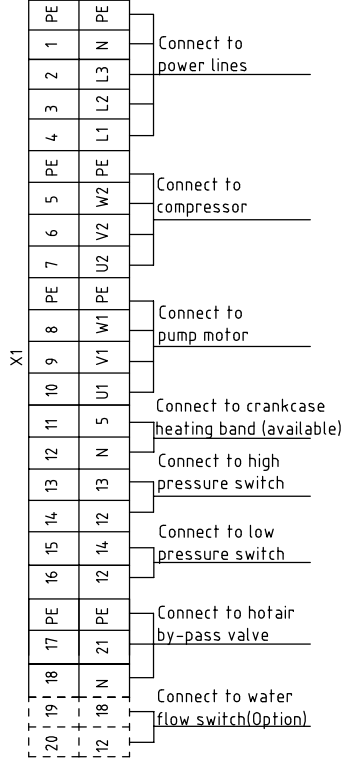
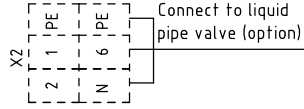
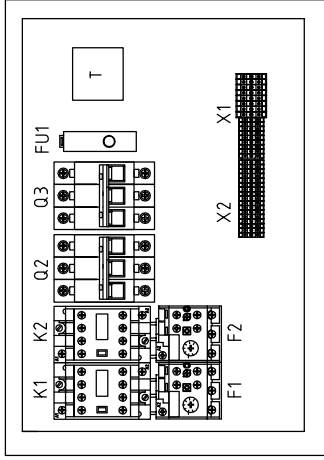
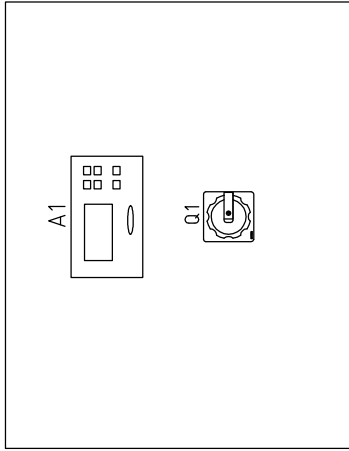


版本 Ver.C

Drawing NO.		SIC-14W-R2-CE-4.00V-B-2		Page 2	8
Title		Control Circuit Diagram		Scale	CE
Drawer	林栢正	Version		Standard	Voltage
Designer	林栢正	Approved by		Frequency	4.00V
Proofread by		Date	20170106	Totally	5
Checked by		Modify date		Pages	50HZ
Mark	Before modification	Modified by			




1 2 3 4 5 6 7 8



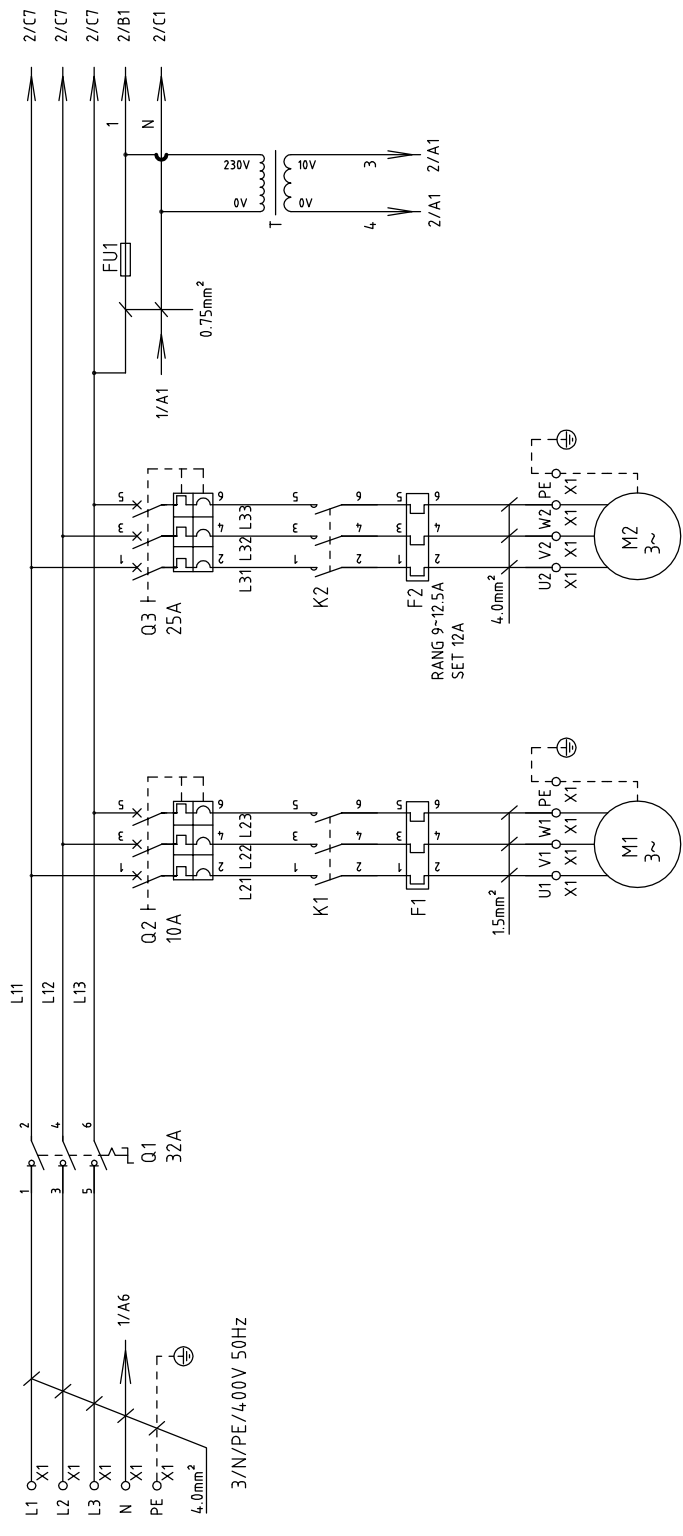
版本 Ver.C

Mark		Before modification	After modification	Modified by	Modify date	Checked by	Date	20170106	Approved by	林悟正	Version	B	Title	SIC-14W-R2	Drawing NO.	SIC-14W-R2-CE-4.00V-B-3	Scale	CE	Page	3
Designer		林悟正	Proofread by	林悟正	Date	20170106	Approved by	林悟正	Version	B	Title	SIC-14W-R2	Drawing NO.	SIC-14W-R2-CE-4.00V-B-3	Scale	CE	Page	3		
Electrical Components Layout		SHINI 信易电热机械股份有限公司 Shini Plastics Technologies, Inc.																		
Standard		Voltage																		
Frequency		4.00V																		
Voltage		50HZ																		
Frequency		8																		
Totally		5																		
Pages		8																		

1		2		3		4		5		6		7		8	
NO.	Symbol	Name	Manufacturer	Type	Specification	Number	Material number	Remark							
1	Q1	Main switch	MOELLER	P1-32/EA/SVB	25A	1	YE10125250000								
2	Q2	Circuit breaker	TECO	BM-63C/3010S	10A	1	YE40301003000								
3	Q3	Circuit breaker	TECO	BM-63C/3020S	20A	1	YE40302003000								
4	K1	Contactor	SIEMENS	3RT6016-1AN21	230VAC 50/60Hz	1	YE00601621000								
5	K2	Contactor	SIEMENS	3RT6018-1AN21	230VAC 50/60Hz	1	YE00601800000								
6		Auxiliary block	SIEMENS	3RH6911-1HA11	1NO+1NC	1	YE00691100100								
7	F1	Thermo overload relay	SIEMENS	3RU6116-1BB0	1.4-2A	1	YE0116014.0000	SIC-14W-R2							
8	F1	Thermo overload relay	SIEMENS	3RU6116-1BB0	1.4-2A	1	YE0116014.0000	SIC-14W-R2-P							
9	F1	Thermo overload relay	SIEMENS	3RU6116-1DB0	2.2-3.2A	1	YE01160220000	SIC-14W-R2-HP							
10	F2	Thermo overload relay	SIEMENS	3RU6116-1KB0	9-12.5A	1	YE01169125000								
11	FU1	Fuse	YINDA	FS-10	2A	1	YE41001000000								
12	A1	Controller	PUNP	SF317500A	AC 10V	1	YE80000100900								
13	S1	Anti-freezing temp. RTD	PUNP	RTD	----	1	----								
14	S3	Water tank temp. RTD	PUNP	RTD	----	1	----								
15	T	Transformer	PUNP	IN=220V OUT=9.8V	----	1	----								
16	S4	HI pressure switch	----	----	----	1	----	(1)							
17	S5	L0 pressure switch	----	----	----	1	----	(1)							
18	S6	Water flow switch	----	----	----	1	----	(1)(3)							
19	S7	Communication interface board RS-485 (double D-sub-9pin connector)	----	----	----	1	YE90048501200	(1)							
20		Shell RS485(SAL-700G-A-1910)	----	----	----	1	YR40048500000	(1)							
21	X1	Terminal board	----	2.5mm ²	----	18	YE60002503200								
22		Terminal board	----	2.5mm ² PE	----	4	YE60002503400								
23		Terminal board	----	2.5mm ²	----	2	YE60002503200	(3)							
24	X2	Terminal board	----	2.5mm ²	----	2	YE60002503200	(2)							
25		Terminal board	----	2.5mm ² PE	----	1	YE60002503400	(2)							
版本 Ver.C Notes: (1)Means it's not the material inside the control box.(2) Stands for optional liquid pipe valve. (3)Stands for optional water flow switch.															
		Drawer		Version		B		Title		Drawing NO.		Scale		Page	
		林栝正		林栝正		Approved by		SIC-14W-R2		SIC-14W-R2-CE-4.00V-B-4		CE		Page 4	
		Proofread by		Checked by		Date		Electrical Components List 1		Voltage		Totally		Pages	
						201710106				4.00V		5		4.00V	
Mark		Before modification		After modification		Modify date		 信易塑料机械股份有限公司 Shini Plastics Technologies, Inc.		Frequency		5.0Hz		8	

1		2		3		4		5		6		7		8	
NO.	Symbol	Name	Manufacturer	Type	Specification	Number	Material number	Remark							
26	Y1	Solenoid valve	----	----	230V 50/60Hz	1	----	(1)							
27	Y2	Solenoid valve	----	----	230V 50/60Hz	1	----	(1)(2)							
28	M1	Pump motor	----	L0 pressure pump	0.75KW 400V 50Hz	1	SIC-14W-R2	(1)							
29	M1	Pump motor	----	MID pressure pump	0.75KW 400V 50Hz	1	SIC-14W-R2-P	(1)							
30	M1	Pump motor	----	HI pressure pump	1.1kW 400V 50Hz	1	SIC-14W-R2-HP	(1)							
31	M2	Compressor	----	----	400V 50Hz 3.55kW	1	----	(1)							
32	EH1	Crankcase heating zone	----	----	230V 50/60Hz 35W	1	----	(1)							
A															
B															
C															
D															
版本 Ver.C Notes: (1)Means it's not the material inside the control box.(2) Stands for optional liquid pipe valve. (3)Stands for optional water flow switch.															
		Title		Version		B		SIC-14W-R2		Drawing NO.		Scale		Page	
		Electrical Components List 2		林栢正		Approved by		Electrical Components List 2		SIC-14W-R2-CE-400V-B-5		Standard		CE	
		Proofread by		林栢正		Date		20170106				Voltage		4.00V	
Mark		Before modification		Modified by		Modify date		Checked by				Frequency		50Hz	
1		2		3		4		5		6		7		8	

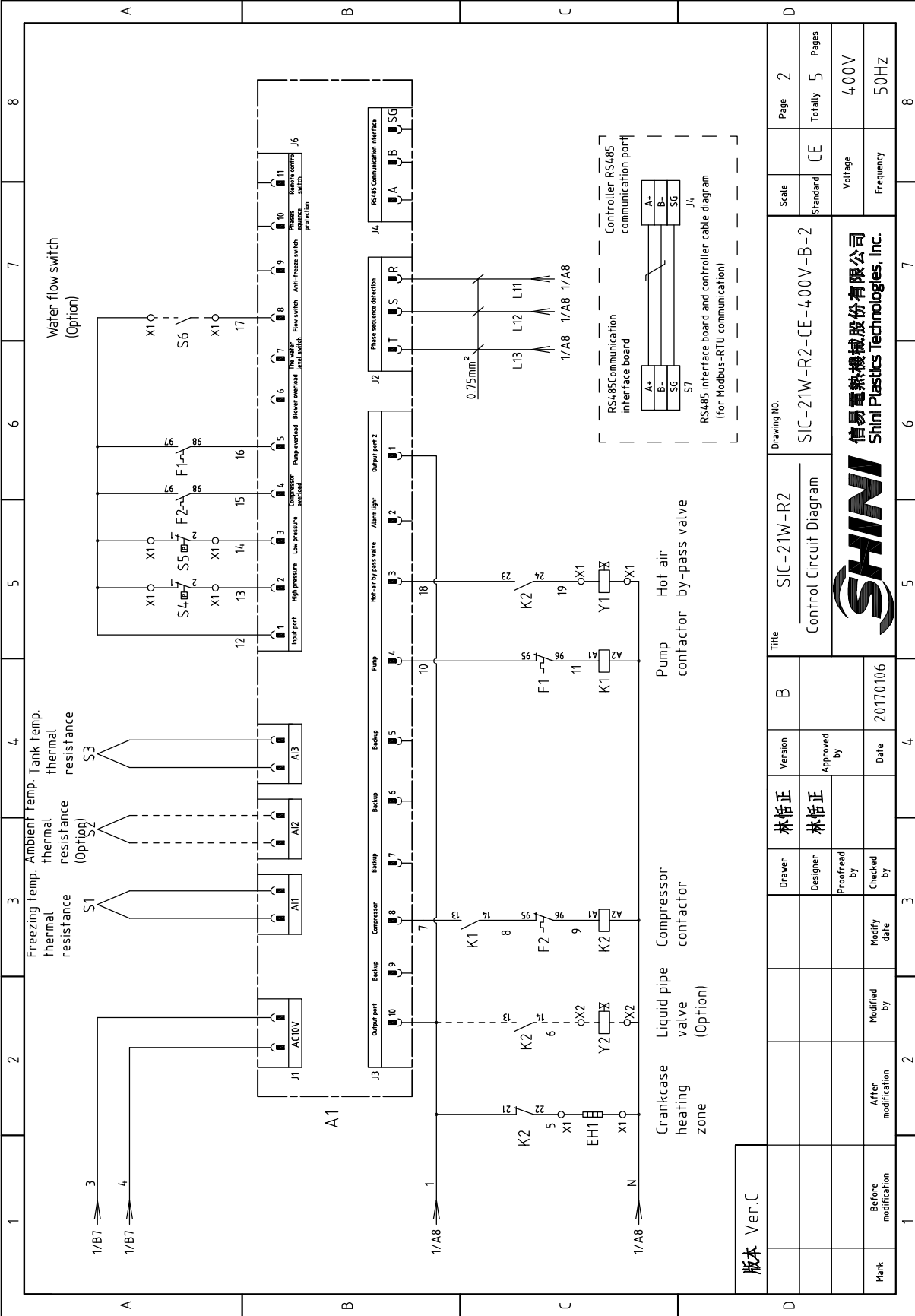




SIC-21W-R2: 1.1kW/3.6A
 SIC-21W-R2-P: 1.1kW/2.4A
 SIC-21W-R2-HP: 1.1kW/2.4A
 Pump motor
 P=6.16kW
 IN=12A
 Compressor

版本 Ver.C

Drawing NO.		SIC-21W-R2		Page 1	
Title		SIC-21W-R2-CE-400V-B-1		Scale	
Main Circuit Diagram		Standard		CE	
SHINI 信易電熱機械股份有限公司 Shini Plastics Technologies, Inc.		Voltage		400V	
Date		Frequency		50Hz	
20170106		Totally		5	
Date		Pages		400V	
20170106		Frequency		50Hz	
Date		Totally		5	
20170106		Pages		400V	
Date		Frequency		50Hz	
20170106		Totally		5	
20170106		Pages		400V	
20170106		Frequency		50Hz	
20170106		Totally		5	
20170106		Pages		400V	
20170106		Frequency		50Hz	
20170106		Totally		5	
20170106		Pages		400V	
20170106		Frequency		50Hz	
20170106		Totally		5	
20170106		Pages		400V	
20170106		Frequency		50Hz	
20170106		Totally		5	
20170106		Pages		400V	
20170106		Frequency		50Hz	
20170106		Totally		5	
20170106		Pages		400V	
20170106		Frequency		50Hz	
20170106		Totally		5	
20170106		Pages		400V	
20170106		Frequency		50Hz	
20170106		Totally		5	
20170106		Pages		400V	
20170106		Frequency		50Hz	
20170106		Totally		5	
20170106		Pages		400V	
20170106		Frequency		50Hz	
20170106		Totally		5	
20170106		Pages		400V	
20170106		Frequency		50Hz	
20170106		Totally		5	
20170106		Pages		400V	
20170106		Frequency		50Hz	
20170106		Totally		5	
20170106		Pages		400V	
20170106		Frequency		50Hz	
20170106		Totally		5	
20170106		Pages		400V	
20170106		Frequency		50Hz	
20170106		Totally		5	
20170106		Pages		400V	
20170106		Frequency		50Hz	
20170106		Totally		5	
20170106		Pages		400V	
20170106		Frequency		50Hz	
20170106		Totally		5	
20170106		Pages		400V	
20170106		Frequency		50Hz	
20170106		Totally		5	
20170106		Pages		400V	
20170106		Frequency		50Hz	
20170106		Totally		5	
20170106		Pages		400V	
20170106		Frequency		50Hz	
20170106		Totally		5	
20170106		Pages		400V	
20170106		Frequency		50Hz	
20170106		Totally		5	
20170106		Pages		400V	
20170106		Frequency		50Hz	
20170106		Totally		5	
20170106		Pages		400V	
20170106		Frequency		50Hz	
20170106		Totally		5	
20170106		Pages		400V	
20170106		Frequency		50Hz	
20170106		Totally		5	
20170106		Pages		400V	
20170106		Frequency		50Hz	
20170106		Totally		5	
20170106		Pages		400V	
20170106		Frequency		50Hz	
20170106		Totally		5	
20170106		Pages		400V	
20170106		Frequency		50Hz	
20170106		Totally		5	
20170106		Pages		400V	
20170106		Frequency		50Hz	
20170106		Totally		5	
20170106		Pages		400V	
20170106		Frequency		50Hz	
20170106		Totally		5	
20170106		Pages		400V	
20170106		Frequency		50Hz	
20170106		Totally		5	
20170106		Pages		400V	
20170106		Frequency		50Hz	
20170106		Totally		5	
20170106		Pages		400V	
20170106		Frequency		50Hz	
20170106		Totally		5	
20170106		Pages		400V	
20170106		Frequency		50Hz	
20170106		Totally		5	
20170106		Pages		400V	
20170106		Frequency		50Hz	
20170106		Totally		5	
20170106		Pages		400V	
20170106		Frequency		50Hz	
20170106		Totally		5	
20170106		Pages		400V	
20170106		Frequency		50Hz	
20170106		Totally		5	
20170106		Pages		400V	
20170106		Frequency		50Hz	
20170106		Totally		5	
20170106		Pages		400V	
20170106		Frequency		50Hz	
20170106		Totally		5	
20170106		Pages		400V	
20170106		Frequency		50Hz	
20170106		Totally		5	
20170106		Pages		400V	
20170106		Frequency		50Hz	
20170106		Totally		5	
20170106		Pages		400V	
20170106		Frequency		50Hz	
20170106		Totally		5	
20170106		Pages		400V	
20170106		Frequency		50Hz	
20170106		Totally		5	
20170106		Pages		400V	
20170106		Frequency		50Hz	
20170106		Totally		5	
20170106		Pages		400V	
20170106		Frequency		50Hz	
20170106		Totally		5	
20170106		Pages		400V	
20170106		Frequency		50Hz	
20170106		Totally		5	
20170106		Pages		400V	
20170106		Frequency		50Hz	
20170106		Totally		5	
20170106		Pages		400V	
20170106		Frequency		50Hz	
20170106		Totally		5	
20170106		Pages		400V	
20170106		Frequency		50Hz	
20170106		Totally		5	
20170106		Pages		400V	
20170106		Frequency		50Hz	
20170106		Totally		5	
20170106		Pages		400V	
20170106		Frequency		50Hz	
20170106		Totally		5	
20170106		Pages		400V	
20170106		Frequency		50Hz	
20170106		Totally		5	
20170106		Pages		400V	
20170106		Frequency		50Hz	
20170106		Totally		5	
20170106		Pages		400V	
20170106		Frequency		50Hz	
20170106		Totally		5	
20170106		Pages		400V	
20170106		Frequency		50Hz	
20170106		Totally		5	
20170106		Pages		400V	
20170106		Frequency		50Hz	
20170106		Totally		5	
20170106		Pages		400V	
20170106		Frequency		50Hz	
20170106		Totally		5	
20170106		Pages		400V	
20170106		Frequency		50Hz	
20170106		Totally		5	
20170106		Pages		400V	
20170106		Frequency		50Hz	
20170106		Totally		5	
20170106		Pages		400V	
20170106		Frequency		50Hz	
20170106		Totally		5	
20170106		Pages		400V	
20170106		Frequency		50Hz	
20170106		Totally		5	
20170106		Pages		400V	
20170106		Frequency		50Hz	
20170106		Totally		5	
20170106		Pages		400V	
20170106		Frequency		50Hz	
20170106		Totally		5	
20170106		Pages		400V	
20170106		Frequency		50Hz	
20170106		Totally		5	
20170106		Pages		400V	
20170106		Frequency		50Hz	
20170106		Totally		5	
20170106		Pages		400V	
20170106		Frequency		50Hz	
20170106		Totally		5	
20170106		Pages		400V	
20170106		Frequency		50Hz	
20170106		Totally		5	
20170106		Pages		400V	
20170106		Frequency		50Hz	
20170106		Totally		5	
20170106		Pages		400V	
20170106		Frequency		50Hz	
20170106		Totally		5	
20170106		Pages		400V	
20170106		Frequency		50Hz	
20170106		Totally		5	
20170106		Pages		400V	
20170106		Frequency		50Hz	
20170106		Totally		5	
20170106		Pages		400V	
20170106		Frequency		50Hz	
20170106		Totally		5	
20170106		Pages		400V	
20170106		Frequency		50Hz	
20170106		Totally		5	
20170106		Pages		400V	
20170106		Frequency		50Hz	
20170106		Totally		5	
20170106		Pages		400V	
20170106		Frequency		50Hz	
20170106		Totally		5	
20170106		Pages		400V	
20170106		Frequency		50Hz	
20170106		Totally		5	
20170106		Pages		400V	
20170106		Frequency		50Hz	
20170106		Totally		5	
20170106		Pages		400V	
20170106		Frequency		50Hz	
20170106		Totally		5	
20170106		Pages		400V	
20170106		Frequency		50Hz	
20170106		Totally		5	
20170106		Pages		400V	
20170106		Frequency		50Hz	
20170106		Totally		5	
20170106		Pages		400V	
20170106		Frequency		50Hz	
20170106		Totally		5	
20170106		Pages		400V	
20170106		Frequency		50Hz	
20170106		Totally		5	
20170106		Pages		400V	
20170106		Frequency		50Hz	
20170106		Totally		5	
20170106		Pages		400V	
20170106		Frequency		50Hz	
20170106		Totally		5	
20170106					

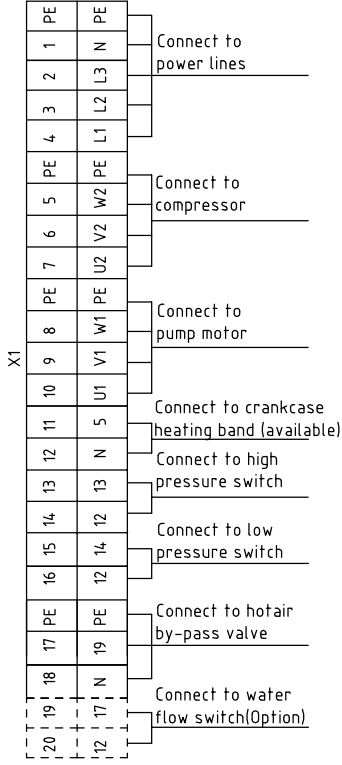
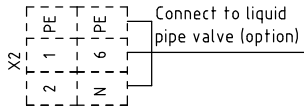
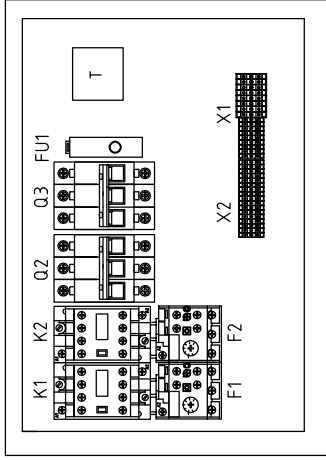
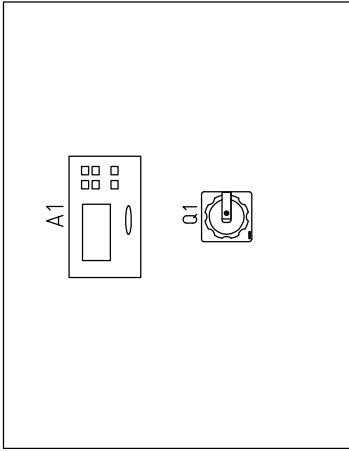


版本 Ver.C

Mark	Before modification	After modification	Modified by	20170106	Date	Checked by	Approved by	Designer	林栢正	Version	SIC-21W-R2	Title	Drawing NO.	Scale	Page 2
									林栢正		SIC-21W-R2-CE-4.00V-B-2				CE
Pages												4.00V			
Frequency												50HZ			
1	2	3	4	5	6	7	8								



1 2 3 4 5 6 7 8



版本 Ver.C

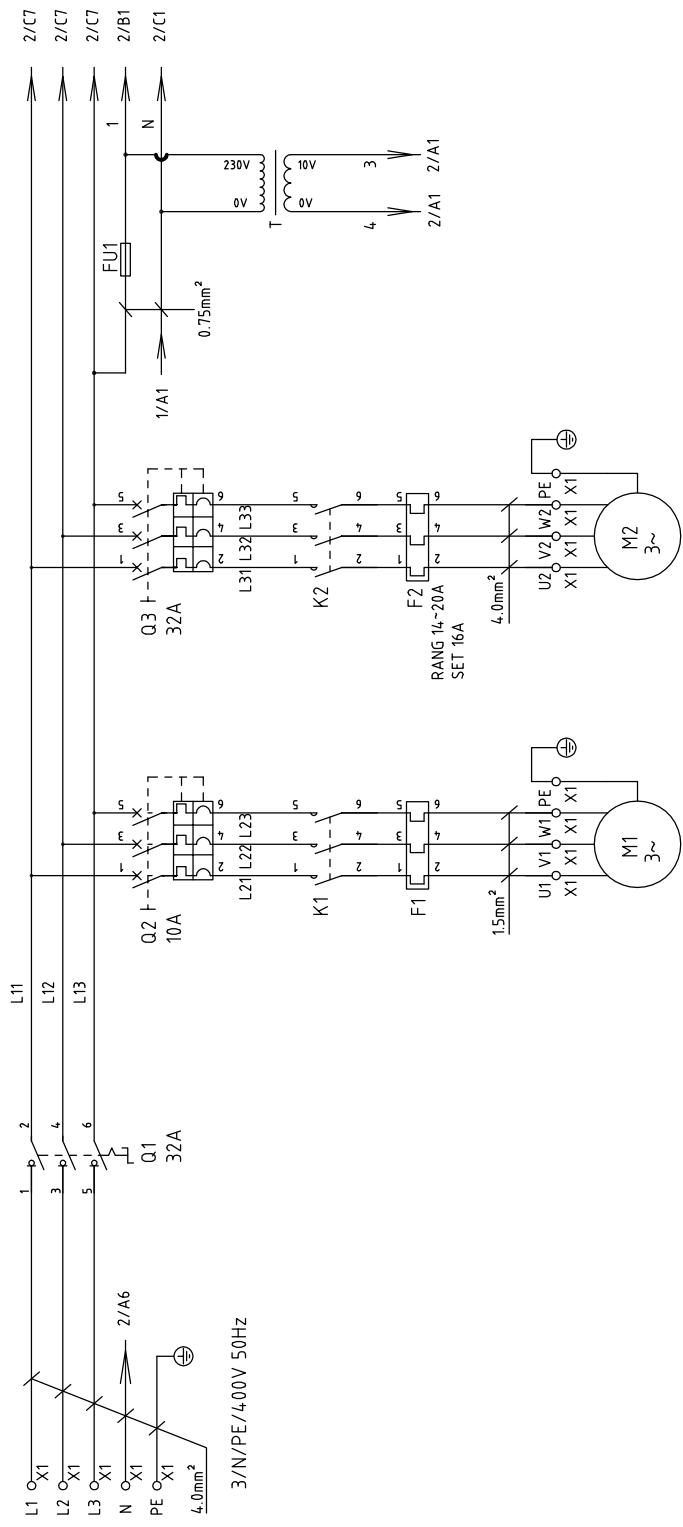
Mark	Before modification	Modified by	Modify date	Checked by	Date	Approved by	Version	B	Title	SIC-21W-R2	Drawing NO.	SIC-21W-R2-CE-400V-B-3	Scale	Page	3
					20170106	林悟正	林悟正		Electrical Components Layout				Standard	Totally	5
															Pages
															4,00V
															50Hz



1 2 3 4 5 6 7 8

1		2		3		4		5		6		7		8	
NO.	Symbol	Name	Manufacturer	Type	Specification	Number	Material number	Remark							
1	Q1	Main switch	MOELLER	P1-63/EA/SVB	32A	1	YE10323200000								
2	Q2	Circuit breaker	TECO	BM-63C/3010S	10A	1	YE40301003000								
3	Q3	Circuit breaker	TECO	BM-63C/3025S	25A	1	YE40302503000								
4	K1	Contactor	SIEMENS	3RT6016-1AN21	230VAC 50/60Hz	1	YE00601621000								
5	K2	Contactor	SIEMENS	3RT6025-1AN20	230VAC 50/60Hz	1	YE00602522000								
6		Auxiliary block	SIEMENS	3RH6911-1AA10	1NO	1	YE00691100000	(2)							
7	F1	Thermo overload relay	SIEMENS	3RU6116-1EB0	2.8-4.0A	1	YE01160280000	SIC-21W-R2							
8	F1	Thermo overload relay	SIEMENS	3RU6116-1DB0	2.2-3.2A	1	YE01160220000	SIC-21W-R2-P							
9	F1	Thermo overload relay	SIEMENS	3RU6116-1DB0	2.2-3.2A	1	YE01160220000	SIC-21W-R2-HP							
10	F2	Thermo overload relay	SIEMENS	3RU6126-1KB0	9-12.5A	1	YE01260900000								
11	FU1	Fuse	YINDA	FS-10	2A	1	YE41001000000								
12	A1	Controller	PUNP	SF317500A	AC 10V	1	YE80000100900								
13	S1	Anti-freezing temp. RTD	PUNP	RTD	----	1	----								
14	S3	Water tank temp. RTD	PUNP	RTD	----	1	----								
15	T	Transformer	PUNP	IN=220V OUT=9.8V	----	1	----								
16	S4	HI pressure switch	----	----	----	1	----	(1)							
17	S5	L0 pressure switch	----	----	----	1	----	(1)							
18	S6	Water flow switch	----	----	----	1	----	(1)(3)							
19	S7	Communication interface board RS-485 (double Dsub-9pin connector)	----	----	----	1	YE90048501200	(1)							
20		Shell RS485(SAL-700G-A-1910)	----	----	----	1	YR40048500000	(1)							
21	X1	Terminal board	----	2.5mm ²	----	11	YE60002503200								
22		Terminal board	----	2.5mm ² PE	----	2	YE60002503400								
23		Terminal board	----	4.0mm ²	----	7	YE60000403200								
24		Terminal board	----	4.0mm ² PE	----	2	YE60000403500								
25		Terminal board	----	2.5mm ²	----	2	YE60002503200	(3)							
版本 Ver.C Notes: (1)Means it's not the material inside the control box.(2)Stands for optional liquid pipe valve.(3)Stands for optional water flow switch.															
		Drawer		Version		B		Title		SIC-21W-R2		Drawing NO		Scale	
		Designer		Approved by				Electrical Components List 1		SIC-21W-R2-CE-400V-B-4		Standard		CE	
		Proofread by		Date		20170106		SHINI		Voltage		Page		4	
		Checked by		Date				信易塑料机械股份有限公司		Frequency		Totally		5	
		Modified by		Modify date				SHINI		4.00V		Pages		5.0Hz	
Mark		Before modification		After modification				Shini Plastics Technologies, Inc.		Voltage		Page		4	
		Modified by		Date				SHINI		Frequency		Totally		5	
1		2		3		4		5		6		7		8	

1		2		3		4		5		6		7		8	
NO.	Symbol	Name	Manufacturer	Type	Specification	Number	Material number	Remark							
26	X2	Terminal board	----	2.5mm ²	----	2	YE60002503200	(2)							
27		Terminal board	----	2.5mm ² PE	----	1	YE60002503400	(2)							
28	Y1	Solenoid valve	----	----	230V 50/60Hz	1	----	(1)							
29	Y2	Solenoid valve	----	----	230V 50/60Hz	1	----	(1)(2)							
30	M1	Pump motor	----	L0 pressure pump1.1KW	400V 50Hz	1	SIC-21W-R2	(1)							
31	M1	Pump motor	----	MID pressure pump1.1KW	400V 50Hz	1	SIC-21W-R2-P	(1)							
32	M1	Pump motor	----	HI pressure pump1.1KW	400V 50Hz	1	SIC-21W-R2-HP	(1)							
33	M2	Compressor	----	----	400V 50Hz 6.16kW	1	----	(1)							
34	EH1	Crankcase heating zone	----	----	230V 50/60Hz 45W	1	----	(1)							
A															
B															
C															
D															
版本 Ver.C Notes: (1)Means it's not the material inside the control box.(2) Stands for optional liquid pipe valve. (3)Stands for optional water flow switch.															
		Title		SIC-21W-R2		Drawing NO		Scale		Page		5		8	
		Version		B		SIC-21W-R2-CE-400V-B-5		Standard		CE		Voltage		4.00V	
		Designer		林栝正		Electrical Components List 2		Standard		CE		Frequency		50HZ	
		Proofread by		林栝正				Date		20170106					
		Modified by													
		Before modification													
		After modification													
		Modify date													
		Checked by													
		Approved by													
		Date													
		Totality		5		5		5		5		5		5	
		Pages		5		5		5		5		5		5	
		SHINI		信易塑料机械股份有限公司		Shini Plastics Technologies, Inc.									
		5		6		7		8		8		8		8	

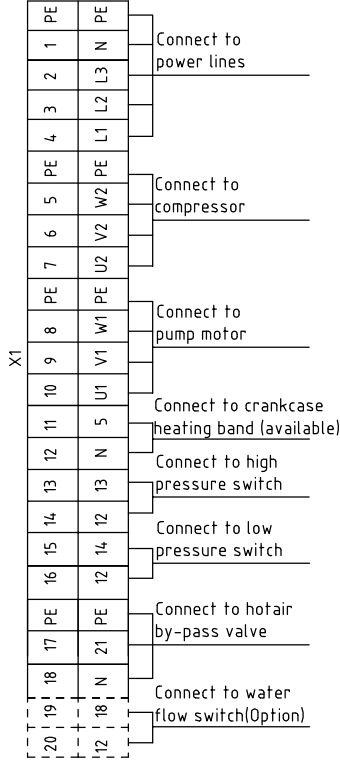
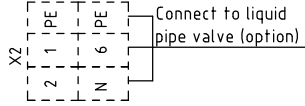
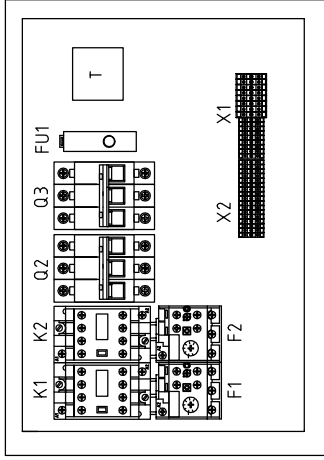
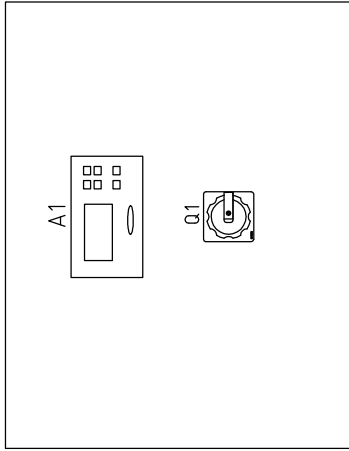


SIC-28W-R2: 1.1kW/3.6A
 SIC-28W-R2-P: 1.1kW/2.4A
 SIC-28W-R2-HP: 1.1kW/2.4A
 Pump motor
 Compressor
 P=8.33kW
 IN=16A

版本 Ver.C

Mark	Before modification	After modification	Modify Date	Checked by	Date	Title SIC-28W-R2 Main Circuit Diagram	Drawing NO. SIC-28W-R2-CE-4.00V-B-1	Scale Standard CE	Page 1 Totally 5 Pages
	Designer	林栢正	Approved by	林栢正	Version				
Proofread by									
Modified by									
Before modification									
After modification									
Checked by									
Date									
20170107									
SHINI	信易電熱機械股份有限公司 Shini Plastics Technologies, Inc.								
Standard	CE								
Voltage	4.00V								
Frequency	50Hz								

1 2 3 4 5 6 7 8



版本 Ver.C

Mark	Before modification	Modified by	Modify date	Checked by	Date	Approved by	Version	B	Title	SIC-28W-R2 Electrical Components Layout	Drawing NO. SIC-28W-R2-CE-400V-B-3	Scale	Page
												Standard	Totally
												CE	3
													5
													400V
													50Hz



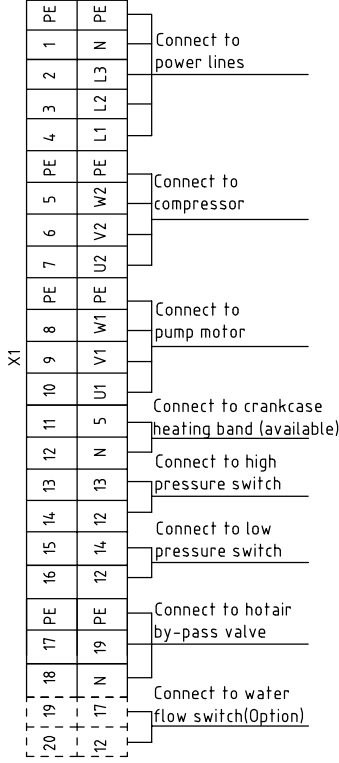
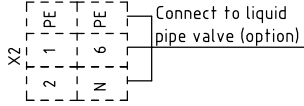
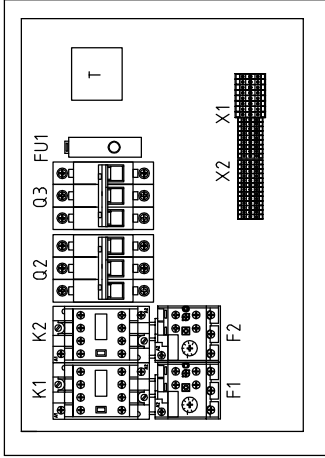
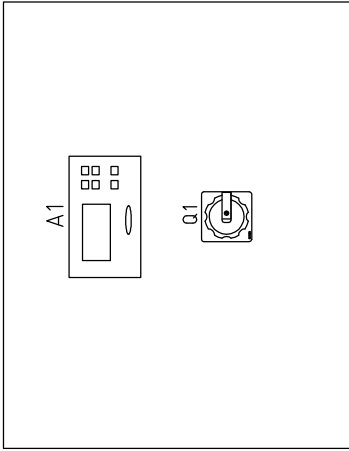
1 2 3 4 5 6 7 8

1		2		3		4		5		6		7		8	
NO.	Symbol	Name	Manufacturer	Type	Specification	Number	Material number	Remark							
1	Q1	Main switch	MOELLER	P1-63/EA/SVB	32A	1	YE10323200000								
2	Q2	Circuit breaker	TECO	BM-63C/3010S	10A	1	YE40301003000								
3	Q3	Circuit breaker	TECO	BM-63C/3032S	32A	1	YE40303203000								
4	K1	Contactor	SIEMENS	3RT6016-1AN21	230VAC 50/60Hz	1	YE00601621000								
5	K2	Contactor	SIEMENS	3RT6026-1AN20	230VAC 50/60Hz	1	YE00602622000								
6		Auxiliary block	SIEMENS	3RH6911-1AA10	1NO	1	YE00691100000	(2)							
7	F1	Thermo overload relay	SIEMENS	3RU6116-1EB0	2.8-4.0A	1	YE01160220000	SIC-28W-R2							
8	F1	Thermo overload relay	SIEMENS	3RU6116-1DB0	2.2-3.2A	1	YE01160220000	SIC-28W-R2-P							
9	F1	Thermo overload relay	SIEMENS	3RU6116-1DB0	2.2-3.2A	1	YE01160220000	SIC-28W-R2-HP							
10	F2	Thermo overload relay	SIEMENS	3RU6126-4BB0	14-20A	1	YE01260140000								
11	FU1	Fuse	YINDA	FS-10	2A	1	YE41001000000								
12	A1	Controller	PUNP	SF317500A	AC 10V	1	YE80000100900								
13	S1	Anti-freezing temp. RTD	PUNP	RTD	----	1	----								
14	S3	Water tank temp. RTD	PUNP	RTD	----	1	----								
15	T	Transformer	PUNP	IN=220V OUT=9.8V	----	1	----								
16	S4	HI pressure switch	----	----	----	1	----	(1)							
17	S5	L0 pressure switch	----	----	----	1	----	(1)							
18	S6	Water flow switch	----	----	----	1	----	(1)(3)							
19	S7	Communication interface board RS-485 (double Dsub-9pin connector)	----	----	----	1	YE90048501200	(1)							
20		Shell RS485(SAL-700G-A-19)0	----	----	----	1	YR40048500000	(1)							
21	X1	Terminal board	----	2.5mm ²	----	11	YE60002503200								
22		Terminal board	----	2.5mm ² PE	----	2	YE60002503400								
23		Terminal board	----	4.0mm ²	----	7	YE60000403200								
24		Terminal board	----	4.0mm ² PE	----	2	YE60000403500								
25		Terminal board	----	2.5mm ²	----	2	YE60002503200	(3)							
版本 Ver.C Notes: (1)Means it's not the material inside the control box (2) Stands for optional liquid pipe valve. (3)Stands for optional water flow switch.															
		Drawer		Version		B		Title		SIC-28W-R2		Drawing NO		SIC-28W-R2-CE-4.00V-B-4	
		Designer		林栢正		Approved by		Electrical Components List 1		Standard		CE		Page 4	
		Proofread by		林栢正		Date		20170107		Voltage		4.00V		Totally 5 Pages	
Mark		Before modification		Modified by		Modify date				Frequency		50Hz			




1		2		3		4		5		6		7		8	
NO.	Symbol	Name	Manufacturer	Type	Specification	Number	Material number	Remark							
26	X2	Terminal board	----	2.5mm ²	----	2	YE60002503200	(2)							
27		Terminal board	----	2.5mm ² PE	----	1	YE60002503400	(2)							
28	Y1	Solenoid valve	----	----	230V 50/60Hz	1	----	(1)							
29	Y2	Solenoid valve	----	----	230V 50/60Hz	1	----	(1)(2)							
30	M1	Pump motor	----	L0 pressure pump1.1KW	400V 50Hz	1	SIC-28W-R2	(1)							
31	M1	Pump motor	----	MID pressure pump1.1KW	400V 50Hz	1	SIC-28W-R2-P	(1)							
32	M1	Pump motor	----	HI pressure pump1.1KW	400V 50Hz	1	SIC-28W-R2-HP	(1)							
33	M2	Compressor	----	----	400V 50Hz 8.33kW	1	----	(1)							
34	EH1	Crankcase heating zone	----	----	230V 50/60Hz 4.5W	1	----	(1)							
B															
C															
D															
版本 Ver. C Notes: (1)Means it's not the material inside the control box.(2) Stands for optional liquid pipe valve. (3)Stands for optional water flow switch.															
				Drawer	林栝正	Version	B	Title	SIC-28W-R2		Scale	Page	5		
				Designer	林栝正	Approved by		Electrical Components List 2		SIC-28W-R2-CE-4.00V-B-5		Standard	CE	Totally	5
				Proofread by		Date	20170107					Voltage	4.00V		
				Checked by								Frequency	50HZ		
				Modified by											
				Modify date											
				Before modification											
				After modification											
SHINI 信易塑料机械股份有限公司 Shini Plastics Technologies, Inc.															
Drawing NO. SIC-28W-R2-CE-4.00V-B-5															
Electrical Components List 2															
SHINI 信易塑料机械股份有限公司 Shini Plastics Technologies, Inc.															
5 6 7 8															

1 2 3 4 5 6 7 8



版本 Ver.C

Mark	Before modification	Modified by	Modify date	Checked by	Date	Approved by	Version	Title	Drawing NO.	Scale	Page
	After modification	Modified by	Modify date							Standard	Totally
					20170107	林悟正	林悟正	SIC-33W-R2 Electrical Components Layout	SIC-33W-R2-CE-4.00V-B-3	CE	3
									信易塑料机械股份有限公司 Shini Plastics Technologies, Inc.	Voltage	4.00V
										Frequency	50HZ

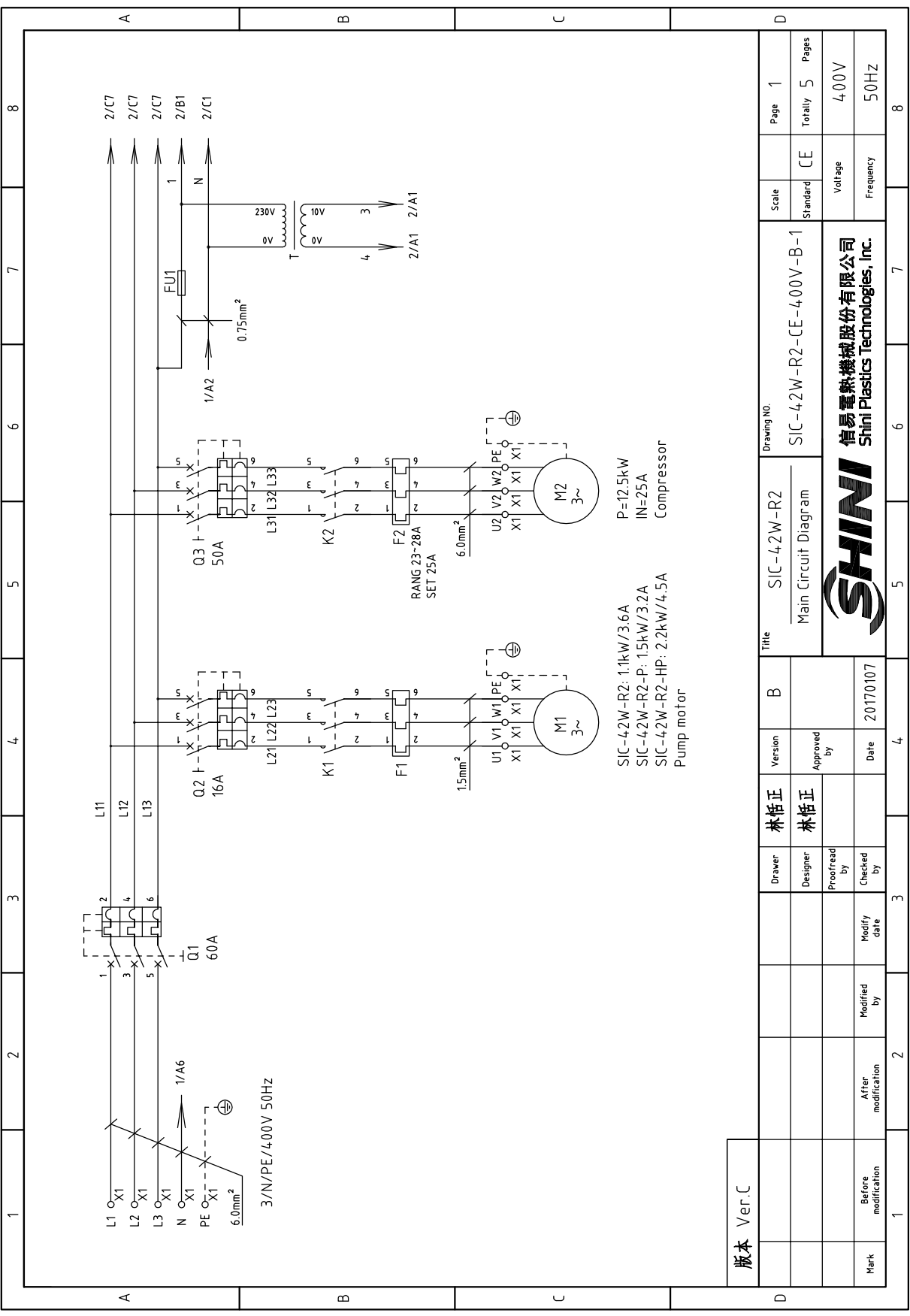
1 2 3 4 5 6 7 8

1		2		3		4		5		6		7		8	
NO.	Symbol	Name	Manufacturer	Type	Specification	Number	Material number	Remark							
1	Q1	Main switch	MOELLER	P1-63/EA/SVB	32A	1	YE10323200000								
2	Q2	Circuit breaker	TECO	BM-63C/3010S	10A	1	YE40301003000								
3	Q3	Circuit breaker	TECO	BM-63C/3040S	40A	1	YE40304003000								
4	K1	Contactor	SIEMENS	3RT6016-1AN21	230VAC 50/60Hz	1	YE00601621000								
5	K2	Contactor	SIEMENS	3RT6026-1AN20	230VAC 50/60Hz	1	YE0060272000								
6		Auxiliary block	SIEMENS	3RH6911-1AA10	1NO	1	YE0069110000	(2)							
7	F1	Thermo overload relay	SIEMENS	3RU6116-1EB0	2.8-4A	1	YE01160280000	SIC-33W-R2							
8	F1	Thermo overload relay	SIEMENS	3RU6116-1EB0	2.8-4A	1	YE01160280000	SIC-33W-R2-P							
9	F1	Thermo overload relay	SIEMENS	3RU6116-1GB0	4.5-6.3A	1	YE01160450000	SIC-33W-R2-HP							
10	F2	Thermo overload relay	SIEMENS	3RU6126-4CB0	17-22A	1	YE01260170000								
11	FU1	Fuse	YINDA	FS-10	2A	1	YE41001000000								
12	A1	Controller	PUNP	SF317500A	AC 10V	1	YE80000100900								
13	S1	Anti-freezing temp. RTD	PUNP	RTD	----	1	----								
14	S3	Water tank temp. RTD	PUNP	RTD	----	1	----								
15	T	Transformer	PUNP	IN=220V OUT=9.8V	----	1	----								
16	S4	HI pressure switch	----	----	----	1	----	(1)							
17	S5	L0 pressure switch	----	----	----	1	----	(1)							
18	S6	Water flow switch	----	----	----	1	----	(1)(3)							
19	S7	Communication interface board RS-485 (double Dsub-9pin connector)	----	----	----	1	YE90048501200	(1)							
20		Shell RS485(SAL-700G-A-19)0	----	----	----	1	YR40048500000	(1)							
21	X1	Terminal board	----	2.5mm ²	----	11	YE60002503200								
22		Terminal board	----	2.5mm ² PE	----	2	YE60002503400								
23		Terminal board	----	2.5mm ²	----	2	YE60002503200	(3)							
24		Terminal board	----	4.0mm ²	----	7	YE60000403200								
25		Terminal board	----	4.0mm ² PE	----	2	YE60000403500								
版本 Ver.C Notes: (1)Means it's not the material inside the control box.(2) Stands for optional liquid pipe valve. (3)Stands for optional water flow switch.															
		Drawer		Version		B		Title		SIC-33W-R2		Drawing NO		Page 4	
		Designer		Approved by				Electrical Components List 1		SIC-33W-R2-CE-4.00V-B-4		Standard		CE	
		Proofread by		Date		20170107						Voltage		4.00V	
		Checked by		Modify date								Frequency		50Hz	
Mark		Before modification		Modified by											
1		2		3		4		5		6		7		8	



1		2		3		4		5		6		7		8	
NO.	Symbol	Name	Manufacturer	Type	Specification	Number	Material number	Remark							
26	X2	Terminal board	----	2.5mm ²	----	2	YE60002503200	(2)							
27		Terminal board	----	2.5mm ² PE	----	1	YE60002503400	(2)							
28	Y1	Solenoid valve	----	----	230V 50/60Hz	1	----	(1)							
29	Y2	Solenoid valve	----	----	230V 50/60Hz	1	----	(1)(2)							
30	M1	Pump motor	----	L0 pressure pump1.1KW	400V 50Hz	1	SIC-33W-R2	(1)							
31	M1	Pump motor	----	MID pressure pump1.5KW	400V 50Hz	1	SIC-33W-R2-P	(1)							
32	M1	Pump motor	----	HI pressure pump2.2KW	400V 50Hz	1	SIC-33W-R2-HP	(1)							
33	M2	Compressor	----	----	400V 50Hz 9.88kw	1	----	(1)							
34	EH1	Crankcase heating zone	----	----	230V 50/60Hz 4.5W	1	----	(1)							
B															
C															
D															
版本 Ver. C		Notes: (1)Means it's not the material inside the control box.(2) Stands for optional liquid pipe valve. (3)Stands for optional water flow switch.													
		Title		Version		B		SIC-33W-R2		Drawing NO		Scale		Page	
		Electrical Components List 2		Approved by		林栢正		SIC-33W-R2-CE-4.00V-B-5		Standard		CE		Totally 5	
		Proofread by		Date		林栢正		20170107		Voltage		4.00V		Pages	
Mark		Before modification		Modified by		Modify date		Checked by		Frequency		5.00Hz			
1		2		3		4		5		6		7		8	

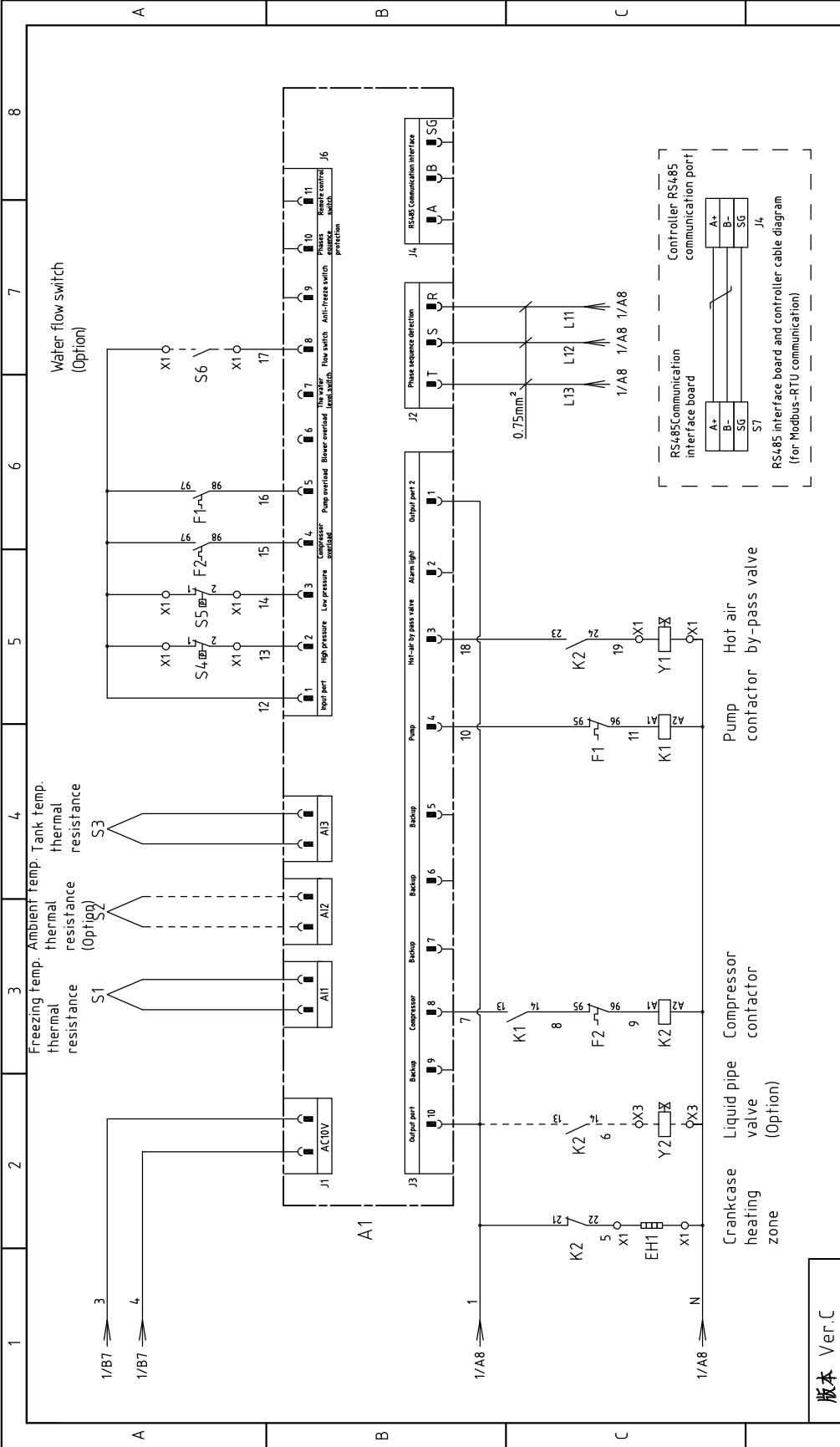




SIC-42W-R2: 1.1kW/3.6A
 SIC-42W-R2-P: 1.5kW/3.2A
 SIC-42W-R2-HP: 2.2kW/4.5A
 Pump motor
 Compressor

版本 Ver.C

Mark	Before modification	After modification	Modify Date	Checked by	Date	SHINI 信易电热机械股份有限公司 Shini Plastics Technologies, Inc.	Title SIC-42W-R2 Main Circuit Diagram	Drawing NO. SIC-42W-R2-CE-400V-B-1	Scale	Page 1
	Standard	CE	Totally 5	Pages	400V					
Version	林栢正	林栢正	Approved by	20170107	4			Voltage	50Hz	
Designer	林栢正		Checked by		3			Frequency		
Drawer	林栢正		Modify Date		2					

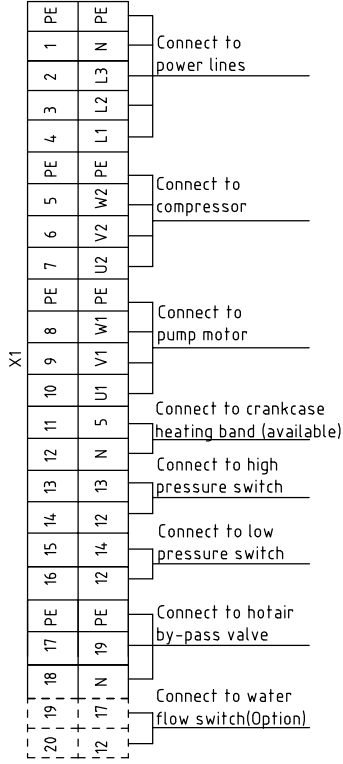
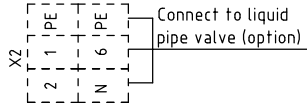
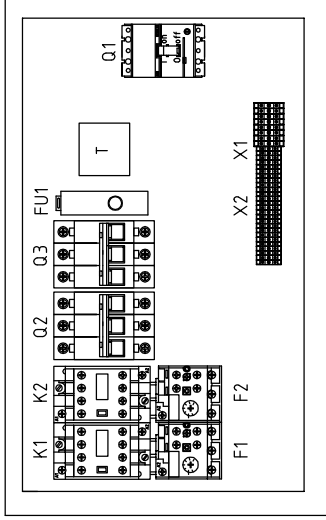
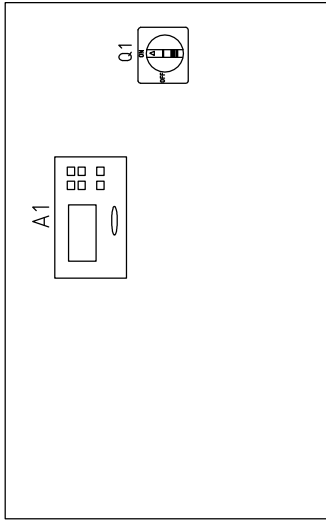


版本 Ver.C

Drawing NO.		SIC-42W-R2		Page 2	
Title		Control Circuit Diagram		Standard CE	
Version		林栢正		Voltage 4.00V	
Designer		林栢正		Frequency 50HZ	
Proofread by				Totally 5 Pages	
Checked by		20170107		4.00V	
Modify date				50HZ	
After modification				8	
Before modification				7	
Mark				6	
				5	
				4	
				3	
				2	
				1	



1 2 3 4 5 6 7 8




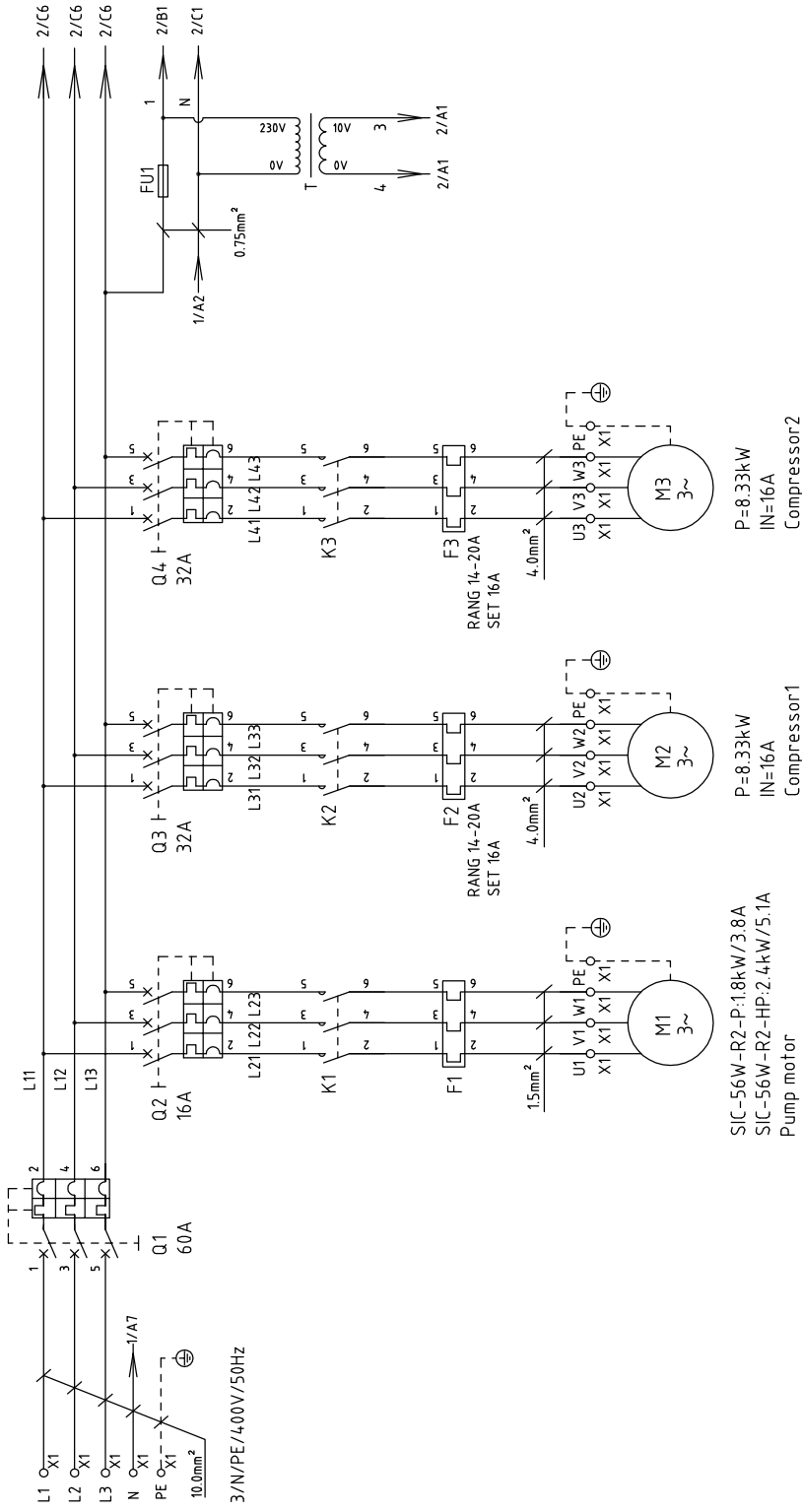
版本 Ver.C

Mark	Before modification	Modified by	Modify date	Checked by	Date	Approved by	Version	B	Title	Drawing NO.	Scale	Page
	After modification	Modified by	Modify date								Standard	Totally
					20170107				SHI-42W-R2	SIC-42W-R2-CE-400V-B-3	CE	3
									SHINI 信易塑料机械股份有限公司 Shini Plastics Technologies, Inc.			5
												400V
												50HZ

1 2 3 4 5 6 7 8

1	2		3	4	5	6	7	8
NO.	Symbol	Name	Manufacturer	Type	Specification	Number	Material number	Remark
1	Q1	Breaker interlock	ABB	A1A125TMF60/6003PFF	60A	1	YE4.1106200000	
2	Q2	Circuit breaker	TECO	BM-63C/3016S	16A	1	YE4.0301603000	
3	Q3	Circuit breaker	TECO	BM-63C/3050S	50A	1	YE4.0305003000	A
4	K1	Contacto	SIEMENS	3RT6016-1AN21	230VAC 50/60Hz	1	YE00601621000	
5	K2	Contacto	SIEMENS	3RT6027-1AN20	230VAC 50/60Hz	1	YE00602722000	
6		Auxiliary block	SIEMENS	3RH6911-1AA10	1NO	1	YE0069110000	(2)
7	F1	Thermo overload relay	SIEMENS	3RU6116-1EB0	2.8-4A	1	YE01160280000	SIC-4.2W-R2
8	F1	Thermo overload relay	SIEMENS	3RU6116-1EB0	2.8-4A	1	YE01160280000	SIC-4.2W-R2-P
9	F1	Thermo overload relay	SIEMENS	3RU6116-1GB0	4.5-6.3A	1	YE01160450000	SIC-4.2W-R2-HP
10	F2	Thermo overload relay	SIEMENS	3RU6126-4NB0	23-28A	1	YE01612620000	
11	FU1	Fuse	YINDA	FS-10	2A	1	YE4.1001000000	B
12	A1	Contoller	PUNP	SF317500A	AC 10V	1	YE80000100900	
13	S1	Anti-freezing temp. RTD	PUNP	RTD	----	1	----	
14	S3	Water tank temp. RTD	PUNP	RTD	----	1	----	
15	T	Transformer	PUNP	IN=220V OUT=9.8V	----	1	----	
16	S4	HI pressure switch	----	----	----	1	----	(1)
17	S5	L0 pressure switch	----	----	----	1	----	(1)
18	S6	Water flow switch	----	----	----	1	----	(1)(3)
19	S7	Communication interface board RS-485 (double Dsub-9pin connector)	----	----	----	1	YE90048501200	(1)
20		Shell RS4.85(SAL-700G-A-1910)	----	----	----	1	YR4.0048500000	(1)
21	X1	Terminal board	----	2.5mm ²	----	11	YE60002503200	
22		Terminal board	----	2.5mm ² PE	----	2	YE600002503400	
23		Terminal board	----	6.0mm ²	----	7	YE600000603200	
24		Terminal board	----	6.0mm ² PE	----	2	YE600000603500	
25		Terminal board	----	2.5mm ²	----	2	YE60002503200	(3)
版本 Ver.C Notes: (1)Means it's not the material inside the control box.(2) Stands for optional liquid pipe valve. (3)Stands for optional water flow switch.								
				D	Title	SIC-4.2W-R2	Drawing NO	SIC-4.2W-R2-CE-4.00V-B-4
				Drawer	林栝正	Version	B	Scale
				Designer	林栝正	Approved by		Standard
				Proofread by		Electrical Components List 1		Voltage
				Checked by	20170107	Date	20170107	Frequency
				Modified by		Modify date		CE
				Before modification		SHINI	信易塑料机械股份有限公司	Shini Plastics Technologies, Inc.
				After modification		SHINI	信易塑料机械股份有限公司	Shini Plastics Technologies, Inc.
				Mark				Page 4
								Totally 5
								Pages
								4.00V
								5.0Hz
								8

1		2		3		4		5		6		7		8	
NO.	Symbol	Name	Manufacturer	Type	Specification	Number	Material number	Remark							
26	X2	Terminal board	----	2.5mm ²	----	2	YE60002503200	(2)							
27		Terminal board	----	2.5mm ² PE	----	1	YE60002503400	(2)							
28	Y1	Solenoid valve	----	----	230V 50/60Hz	1	----	(1)							
29	Y2	Solenoid valve	----	----	230V 50/60Hz	1	----	(1)(2)							
30	M1	Pump motor	----	L0 pressure pump1.1KW	400V 50Hz	1	SIC-42W-R2	(1)							
31	M1	Pump motor	----	MID pressure pump1.5KW	400V 50Hz	1	SIC-42W-R2-P	(1)							
32	M1	Pump motor	----	HI pressure pump2.2KW	400V 50Hz	1	SIC-42W-R2-HP	(1)							
33	M2	Compressor	----	----	400V 50Hz 12.5kW	1	----	(1)							
34	EH1	Crankcase heating zone	----	----	230V 50/60Hz 4.5W	1	----	(1)							
A															
B															
C															
D															
版本 Ver. C Notes: (1)Means it's not the material inside the control box.(2) Stands for optional liquid pipe valve. (3)Stands for optional water flow switch.															
		Title		Version		Scale		Page		Drawing NO.		Standard		Pages	
		SIC-42W-R2		B		SIC-42W-R2		5		SIC-42W-R2-CE-400V-B-5		CE		5	
		Electrical Components List 2		Approved by				Voltage				Frequency		4.00V	
		林栝正		林栝正				5.00Hz							
		Proofread by		Date		20170107									
		Modified by		Modify date											
		Before modification		After modification											
															
SHINI Shini Plastics Technologies, Inc.															
1 2 3 4 5 6 7 8															



SIC-56W-R2-P:1.8kW/3.8A
 SIC-56W-R2-HP:2.4kW/5.1A
 Pump motor

P=8.33kW
 IN=16A
 Compressor2

P=8.33kW
 IN=16A
 Compressor1

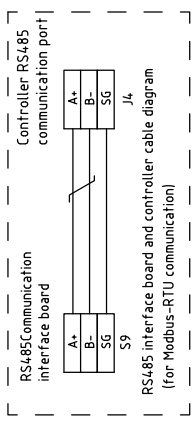
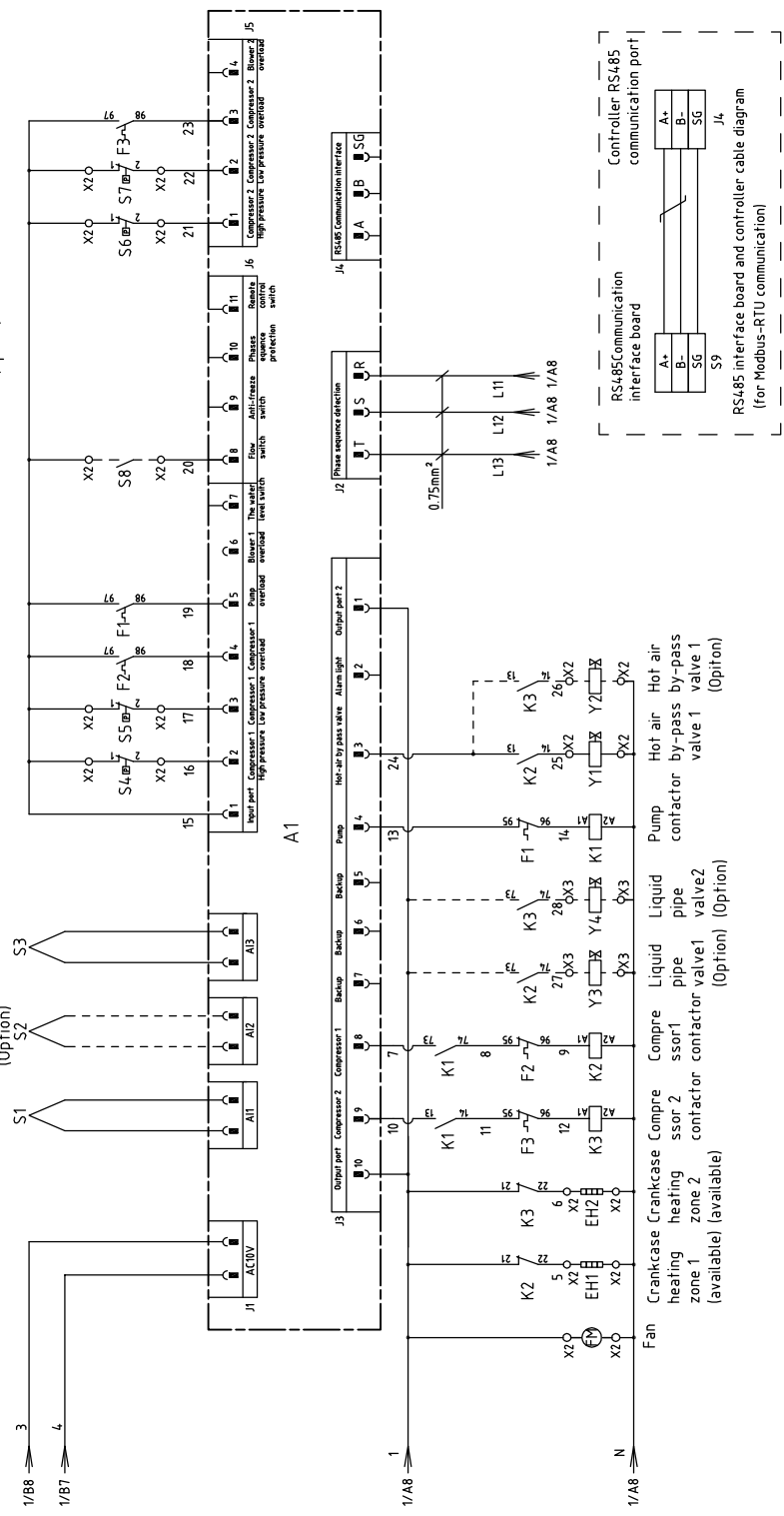
版本 Ver.B

D		C		B		A	
Mark	Before modification	Modified by	After modification	Modified by	Modify date	Checked by	20170116
Designer	陆家权	Proofread by	陆家权	Version	SIC-56W-R2	Drawer	陆家权
Approved by	陆家权	Approved by	陆家权	Title	Main Circuit Diagram	Drawing NO.	
SIC-56W-R2-CE-400V-C-1		SIC-56W-R2		SIC-56W-R2-CE-400V-C-1		Scale	CE
Page	1	Page	1	Standard	CE	Scale	CE
Totally	5	Totally	5	Pages	400V	Pages	50HZ
Voltage		Voltage		Frequency		Frequency	
400V		400V		50HZ		50HZ	



Freezing temp. thermal resistance (Option)
 Ambient temp. thermal resistance (Option)
 Tank temp. thermal resistance (Option)

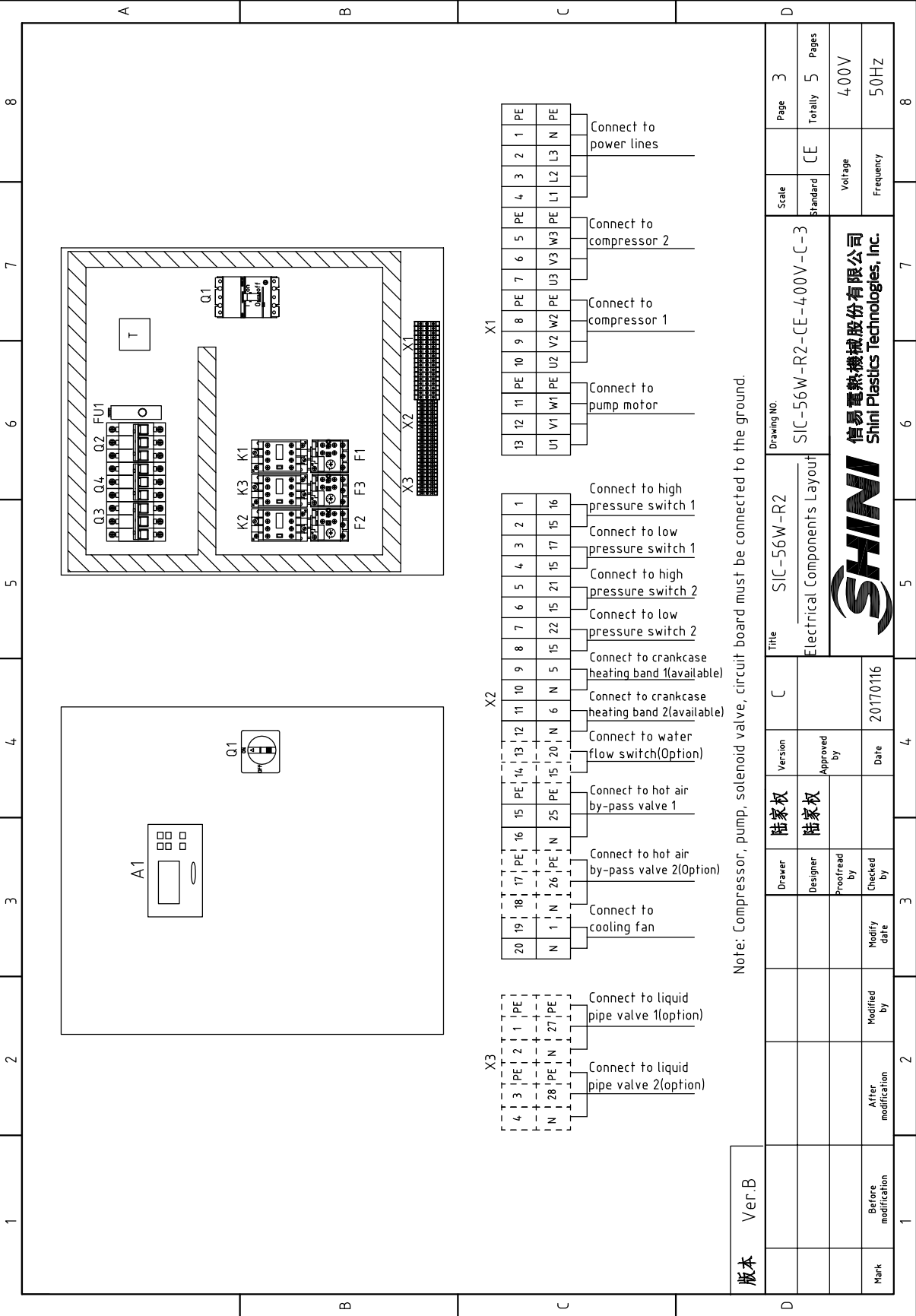
Water flow switch (Option)



版本 Ver.B

Drawing NO.		SIC-56W-R2		Page 2	
Title		Control Circuit Diagram		Scale	
Version		陆家权		Standard	
Designer		陆家权		CE	
Proofread by				Voltage	
Checked by				Frequency	
Modify date				4.00V	
After modification				50HZ	
Mark				Totally 5	
				Pages	
				4.00V	
				50HZ	
				Page 2	
				Totally 5	
				Pages	
				4.00V	
				50HZ	

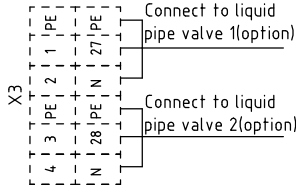
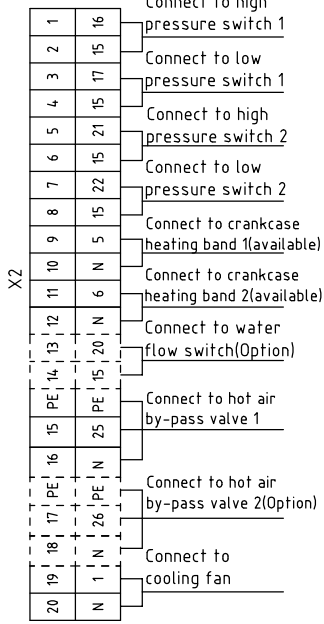
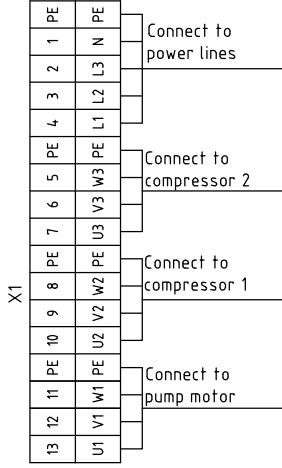


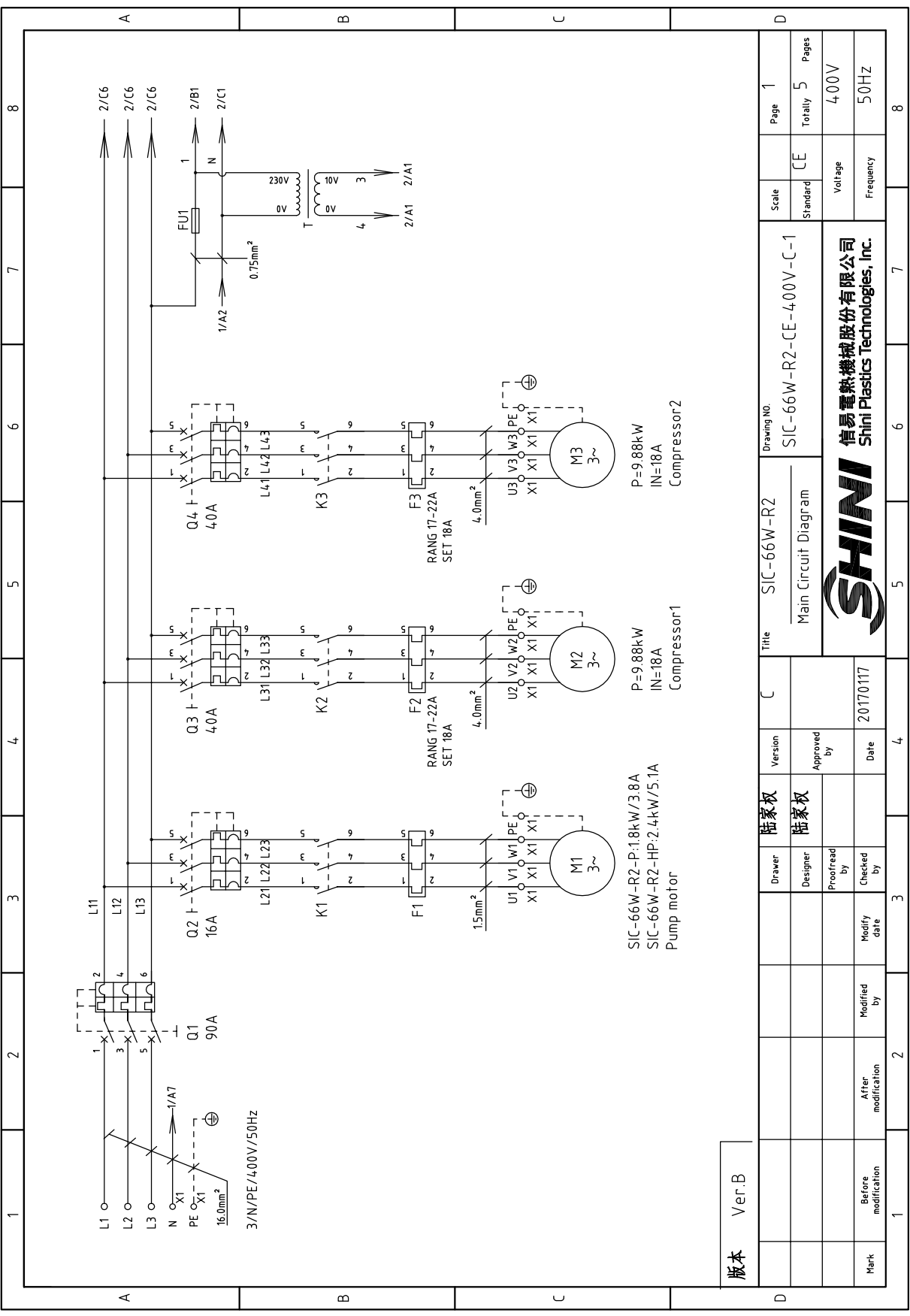


版本 Ver.B

Note: Compressor, pump, solenoid valve, circuit board must be connected to the ground.

Mark	Before modification	Modified by	Modified date	Checked by	Date	Approved by	Version	C	Title	Drawing NO.	Scale	Page
	After modification	Modified by	Modified date								Standard	Totally
									SHINI-56W-R2-CE-4,00V-C-3	SIC-56W-R2	CE	3
									SHINI Shini Plastics Technologies, Inc.			5
												8
												5
												4,00V
												50HZ

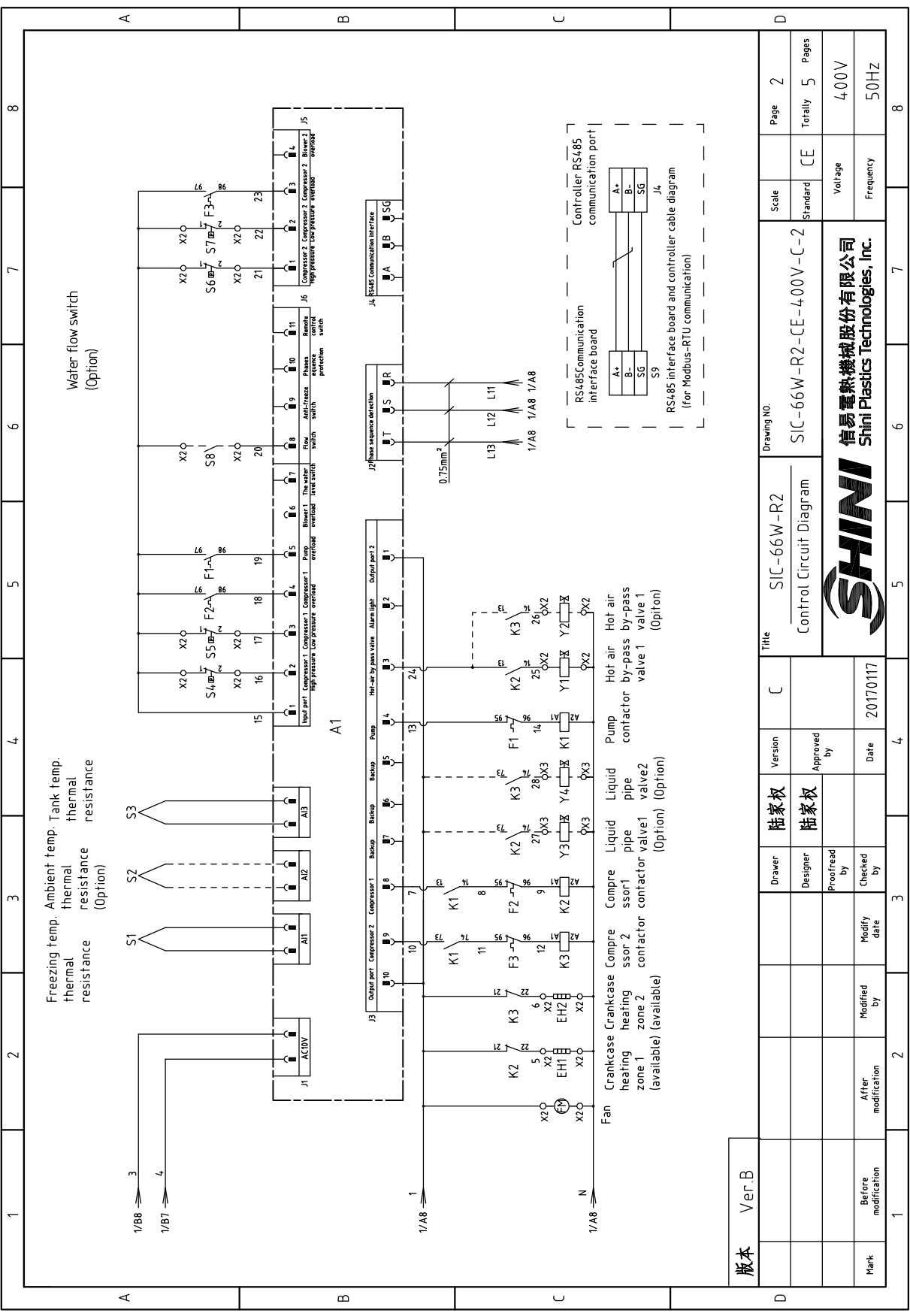




版本 Ver.B

Mark	Before modification	After modification	Modify date	Checked by	20170117	Date	Approved by	Version	C	Title	SIC-66W-R2	Drawing NO.	SIC-66W-R2-CE-4.00V-C-1	Scale	Page	
														CE	1	
														Standard	Totally	
															5	Pages
															4.00V	Voltage
															50HZ	Frequency



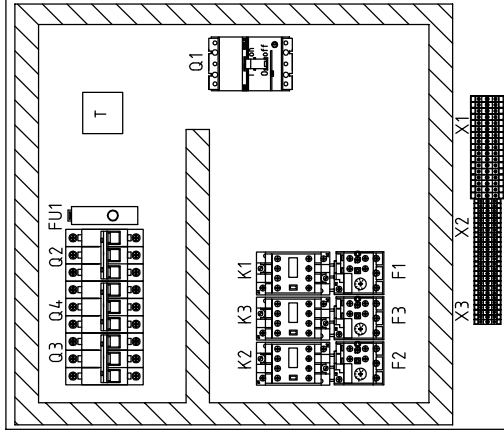
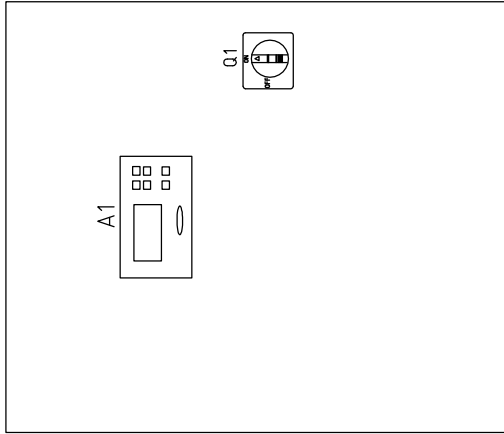


版本 Ver.B

Mark	Before modification	Modified by	Modify date	Checked by	Date	20170117
Designer	陆家权	Proofread by		Approved by		
Drawer	陆家权	Version	C	Title	SIC-66W-R2 Control Circuit Diagram	
Drawing NO.			SIC-66W-R2-CE-400V-C-2			
Scale	Standard	CE	Page	2	Totally	5
Voltage	400V		Pages	400V		
Frequency	50Hz		Pages	50Hz		



1 2 3 4 5 6 7 8



X3	4	1	PE	1	PE	1	PE	1	PE
	2	1	PE	2	PE	2	PE	2	PE
	28	N	27	N	27	N	27	N	27
	28	PE	27	PE	27	PE	27	PE	27

Connect to liquid pipe valve 1(option)

Connect to liquid pipe valve 2(option)

X2	20	19	18	17	16	15	14	13	12	11	10	9	8	7	6	5	4	3	2	1			
	N	1	N	26	PE	1	N	25	PE	20	N	6	N	5	22	15	21	15	17	15	16	15	

Connect to cooling fan

Connect to hot air by-pass valve 2 (Option)

Connect to hot air by-pass valve 1

Connect to water flow switch(Optional)

Connect to crankcase heating band 2(available)

Connect to crankcase heating band 1(available)

Connect to low pressure switch 2

Connect to high pressure switch 2

Connect to low pressure switch 1

Connect to high pressure switch 1

X1	10	9	8	PE	7	6	5	PE	4	3	2	PE	1	PE
	U1	V1	W1	PE	U2	V2	W2	PE	U3	V3	W3	PE	N	PE

Connect to pump motor

Connect to compressor 1

Connect to compressor 2

Connect to power's zero line.

Connect to wire of the power supply

Note: (1)Power cable inlet ends L1,L2,L3 directly connected to the breaker interlock which not pass by the terminal board.
 (2)Compressor, pump, solenoid valve, circuit board must be connected to the ground.

版本 Ver.B

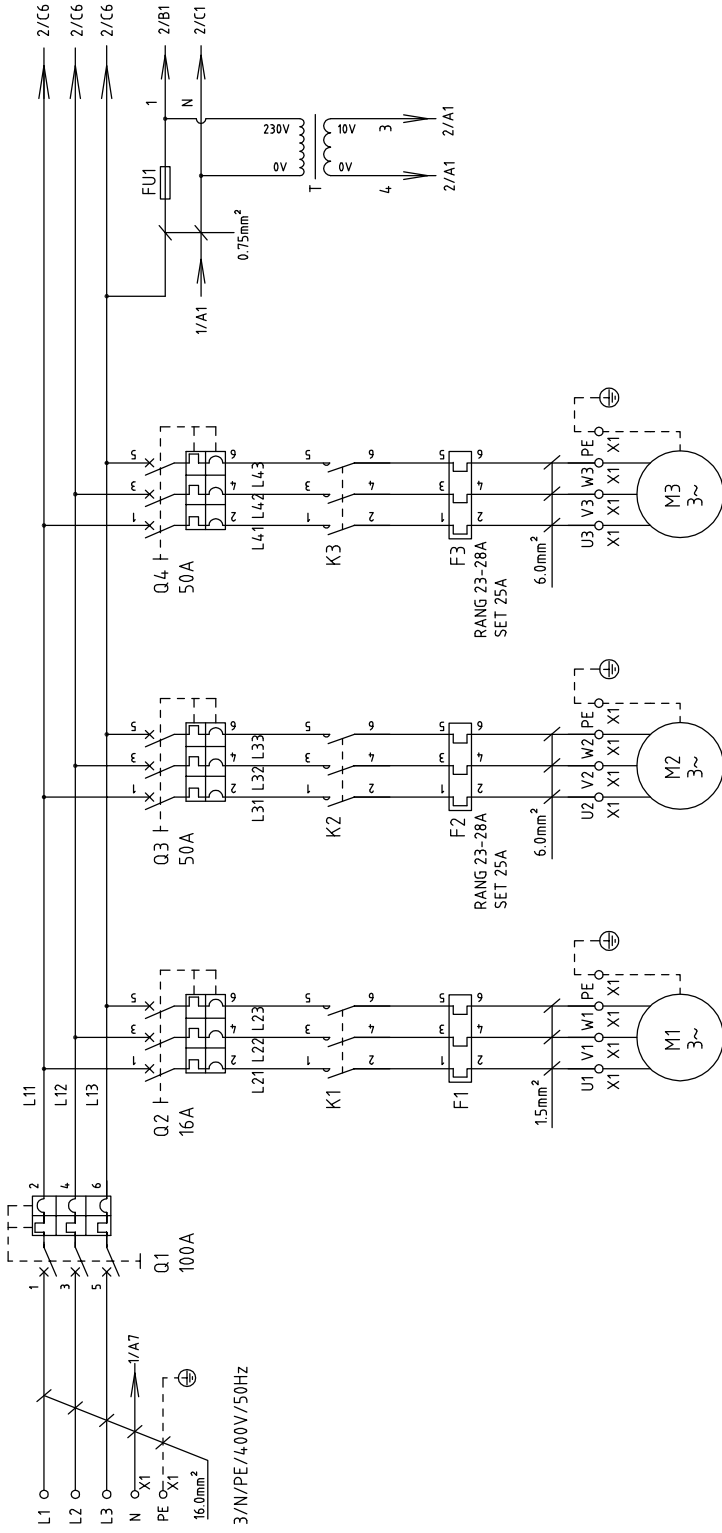
Mark	Before modification	Modified by	Modify date	Checked by	Date	Proofread by	Approved by	Version	C	Title	SIC-66W-R2	Drawing NO.	Scale	Page		
	After modification	Modified by	Modify date										Standard	CE	CE	Page
													Standard	CE	Page	5
													Voltage	400V	Pages	5
													Frequency	50HZ	Totally	5



1 2 3 4 5 6 7 8

1	2		3	4	5	6	7	8
NO.	Symbol	Name	Manufacturer	Type	Specification	Number	Material number	Remark
1	Q1	Breaker interlock	ABB	A1A125TMF90/9003PFF	90A	1	YE41109200000	
2	Q2	Circuit breaker	TECO	BM-63C/3016S	16A	1	YE40301603000	
3	Q3 Q4	Circuit breaker	TECO	BM-63C/3040S	40A	2	YE40304003000	A
4	K1	Contactor	SIEMENS	3RT6016-1AN21	230VAC 50/60Hz	1	YE00601621000	
5		Auxiliary block	SIEMENS	3RH6911-1AA10	1NO	1	YE00691110000	
6	K2 K3	Contactor	SIEMENS	3RT6027-1AN20	220VAC 50/60Hz	2	YE00602722000	
7		Auxiliary block	SIEMENS	3RH6911-1AA10	1NO	2	YE00691110000	(4)
8	F1	Thermo overload relay	SIEMENS	3RU6116-1FB0	3.5-5A	1	YE01160350000	SIC-66W-R2-P
9	F1	Thermo overload relay	SIEMENS	3RU6116-1GB0	4.5-6.32A	1	YE01160450000	SIC-66W-R2-HP
10	F2 F3	Thermo overload relay	SIEMENS	3RU6126-4CB0	17-22A	2	YE01260170000	
11	FU1	Fuse	YINDA	FS-10	2A	1	YE41001000000	B
12	A1	Controller	PUNP	SF317500A	AC 10V	1	YE80317500900	
13	S1	Anti-freezing temp. RTD	PUNP	RTD	----	1	----	
14	S3	Water tank temp. RTD	PUNP	RTD	----	1	----	
15	T	Transformer	PUNP	IN=220V OUT=9.8V	----	1	----	
16	S4 S6	HI pressure switch	----	----	----	2	----	(1)
17	S5 S7	L0 pressure switch	----	----	----	2	----	(1)
18	S8	Water flow switch	----	----	----	1	----	(1)(3)
19	S9	Communication interface board RS-485 (double Dsub-9pin connector)	----	----	----	1	YE90048501200	(1)
20		Shell RS485(SAL-700G-A-1910)	----	----	----	1	YR40048500000	(1)
21	X1	Terminal board	----	2.5mm ²	----	3	YE60002503200	
22		Terminal board	----	2.5mm ² PE	----	1	YE60002503400	
23		Terminal board	----	4.0mm ²	----	6	YE60000403200	
24		Terminal board	----	4.0mm ² PE	----	2	YE60000403500	
25		Terminal board	----	16mm ² PE	----	1	YE60001603500	
概本 Ver.B Notes: (1)Means it's not the material inside the control box.(2) Stands for optional the second by-pass valve. (3)Stands for optional the second by-pass valve. (4)Stands for optional liquid pipe valve.								
				C	Title	SIC-66W-R2	Drawing NO	Page
				Drawer	Version	Scale	Standard	4
				Designer	Approved by	SIC-66W-R2-CE-400V-C-4	CE	5
				Proofread by	Date	Voltage	Frequency	Pages
				Checked by	20170117	4.00V	50Hz	4.00V
				Modified by	Modify date	Frequency	Voltage	Pages
				Before modification	After modification	Frequency	Voltage	Pages
				Mark	Before modification	After modification	Frequency	Pages
				1	2	3	4	5
				5	6	7	8	8





SIC-84W-R2-P-3kW/5.9A
 SIC-84W-R2-HP-4kW/7.8A
 Pump motor

P=12.5kW
 IN=25A
 Compressor2

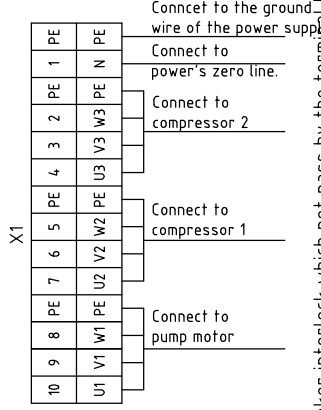
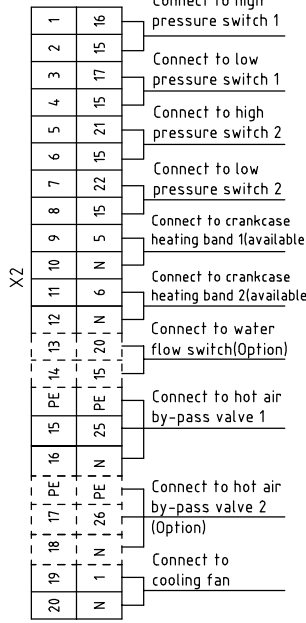
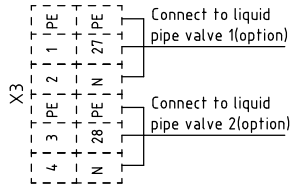
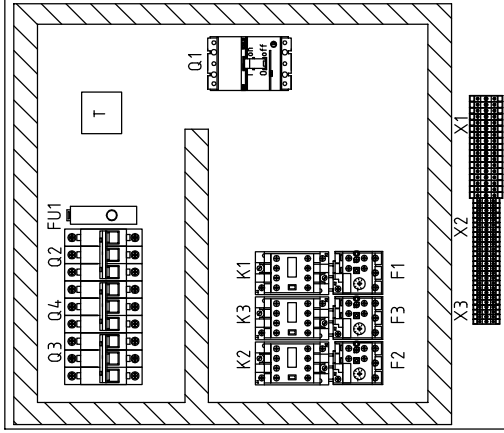
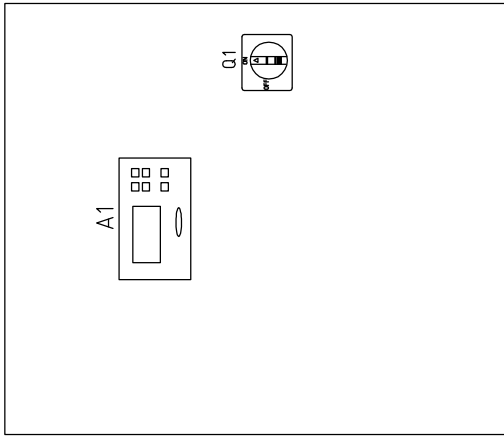
P=12.5kW
 IN=25A
 Compressor1

版本 Ver.B

Mark	Before modification	After modification	Modify Date	Checked by	Proofread by	Designer	Drawer	Version	陆家权	Approved by	陆家权	Title	SIC-84W-R2 Main Circuit Diagram		Drawing NO.	SIC-84W-R2-CE-400V-C-1		Scale	CE	Page	1	
																		Standard	CE	Totally	5	
																					Pages	5
																					Voltage	400V
																					Frequency	50HZ



1 2 3 4 5 6 7 8



Note: (1)Power cable inlet ends L1,L2,L3 directly connected to the breaker interlock which not pass by the terminal board.
 (2)Compressor, pump, solenoid valve, circuit board must be connected to the ground.

版本 Ver.B

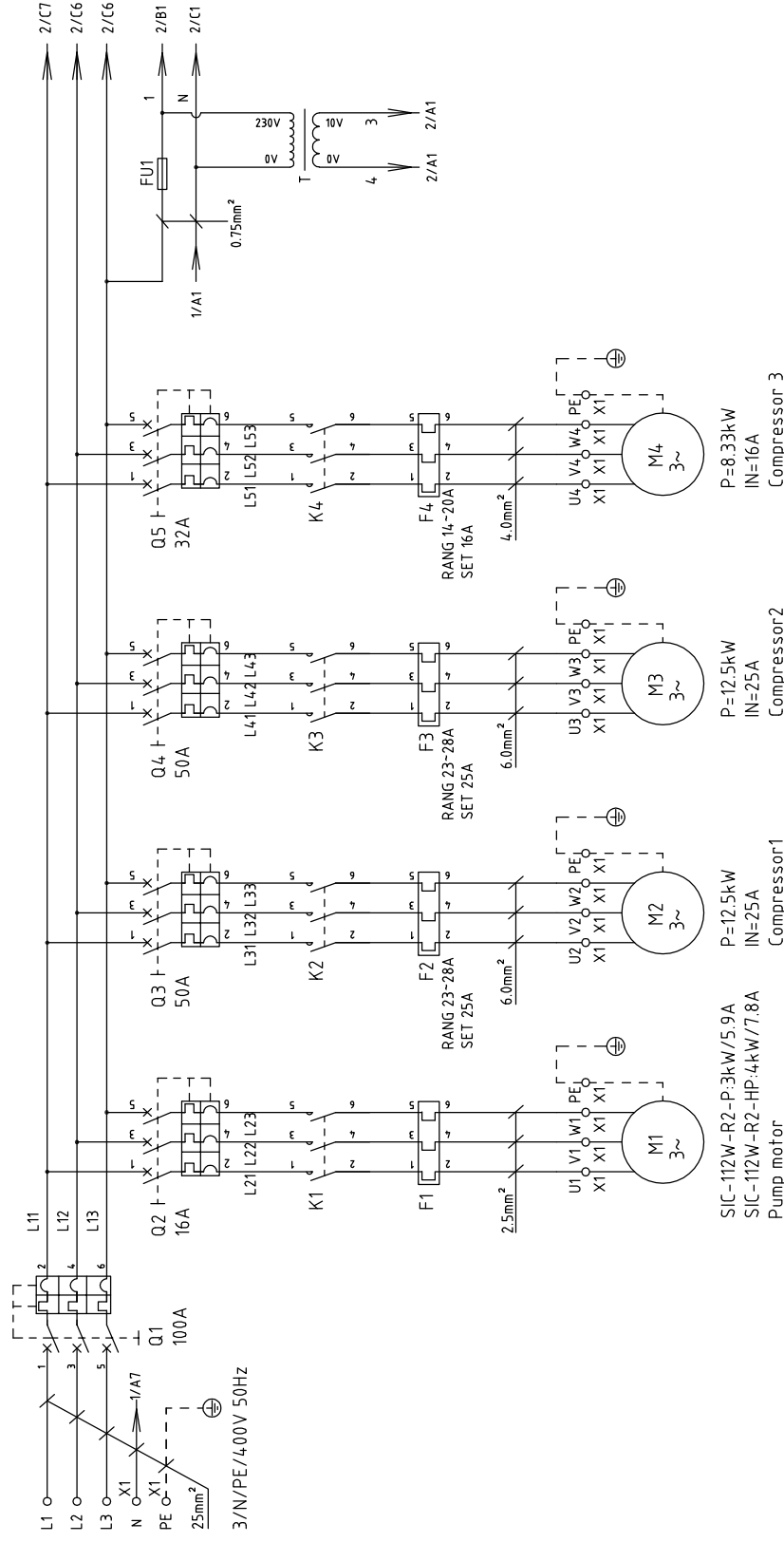
Mark	Before modification	After modification	Modify date	Checked by	Proofread by	Designer	Drawer	Version	C	Title	SIC-84W-R2	Electrical Components Layout	Scale	Standard	CE	Page	3
			20170118	陆家权	陆家权	陆家权	陆家权				SIC-84W-R2-CE-400V-C-3					Totally	5
																	Pages
																	4.00V
																	50HZ



1 2 3 4 5 6 7 8

1	2		3	4	5	6	7	8	
NO.	Symbol	Name	Manufacturer	Type	Specification	Number	Material number	Remark	
1	Q1	Breaker interlock	ABB	A1A125TMF100/10003PFF	100A	1	YE4.1110200000		
2	Q2	Circuit breaker	TECO	BM-63C/3016S	16A	1	YE4.0301603000		
3	Q3 Q4	Circuit breaker	TECO	BM-63C/3050S	50A	2	YE4.0305003000	A	
4	K1	Contactor	SIEMENS	3RT6016-1AN21	230VAC 50/60Hz	1	YE00601621000		
5		Auxiliary block	SIEMENS	3RH6911-1AA10	1NO	1	YE00691110000		
6	K2 K3	Contactor	SIEMENS	3RT6027-1AN20	220VAC 50/60Hz	2	YE00602722000		
7		Auxiliary block	SIEMENS	3RH6911-1AA10	1NO	2	YE00691110000	(4)	
8	F1	Thermo overload relay	SIEMENS	3RU6116-1HB0	5.5-8A	1	YE01160550000	SIC-84W-R2-P	
9	F1	Thermo overload relay	SIEMENS	3RU6116-1JB0	7-10A	1	YE01167100000	SIC-84W-R2-HP	
10	F2 F3	Thermo overload relay	SIEMENS	3RU6126-4NB0	23-28A	2	YE01612620000		
11	FU1	Fuse	YINDA	FS-10	2A	1	YE4.10010000000	B	
12	A1	Controller	PUNP	SF317500A	AC 10V	1	YE80317500900		
13	S1	Anti-freezing temp. RTD	PUNP	RTD	----	1	----		
14	S3	Water tank temp. RTD	PUNP	RTD	----	1	----		
15	T	Transformer	PUNP	IN=220V OUT=9.8V	----	1	----		
16	S4 S6	HI pressure switch	----	----	----	2	----	(1)	
17	S5 S7	L0 pressure switch	----	----	----	2	----	(1)	
18	S8	Water flow switch	----	----	----	1	----	(1)(3)	
19	S9	Communication interface board RS-485 (double Dsub-9pin connector)	----	----	----	1	YE90048501200	(1)	
20		Shell RS485(SAL-700G-A-19)0	----	----	----	1	YR4.0048500000	(1)	
21	X1	Terminal board	----	2.5mm ²	----	3	YE60002503200		
22		Terminal board	----	2.5mm ² PE	----	1	YE60002503400		
23		Terminal board	----	6.0mm ²	----	6	YE60000603200		
24		Terminal board	----	6.0mm ² PE	----	2	YE60000603500		
25		Terminal board	----	16mm ² PE	----	1	YE60001603500		
概本		Ver.B	Notes: (1)Means it's not the material inside the control box.(2) Stands for optional the second by-pass valve. (3)Stands for optional water flow switch.(4)Stands for optional liquid pipe valve.						
				Version	Title		Drawing NO.		
				陆家权	SIC-84W-R2		SIC-84W-R2-CE-400V-C-4		
				Designer	Electrical Components List 1		Scale		
				陆家权			Standard		
				Proofread by			Voltage		
				Checked by			Frequency		
				Modified by			4.00V		
				Modify date	20171018		50Hz		
Mark		Before modification	After modification						
1	2		3	4	5	6	7	8	





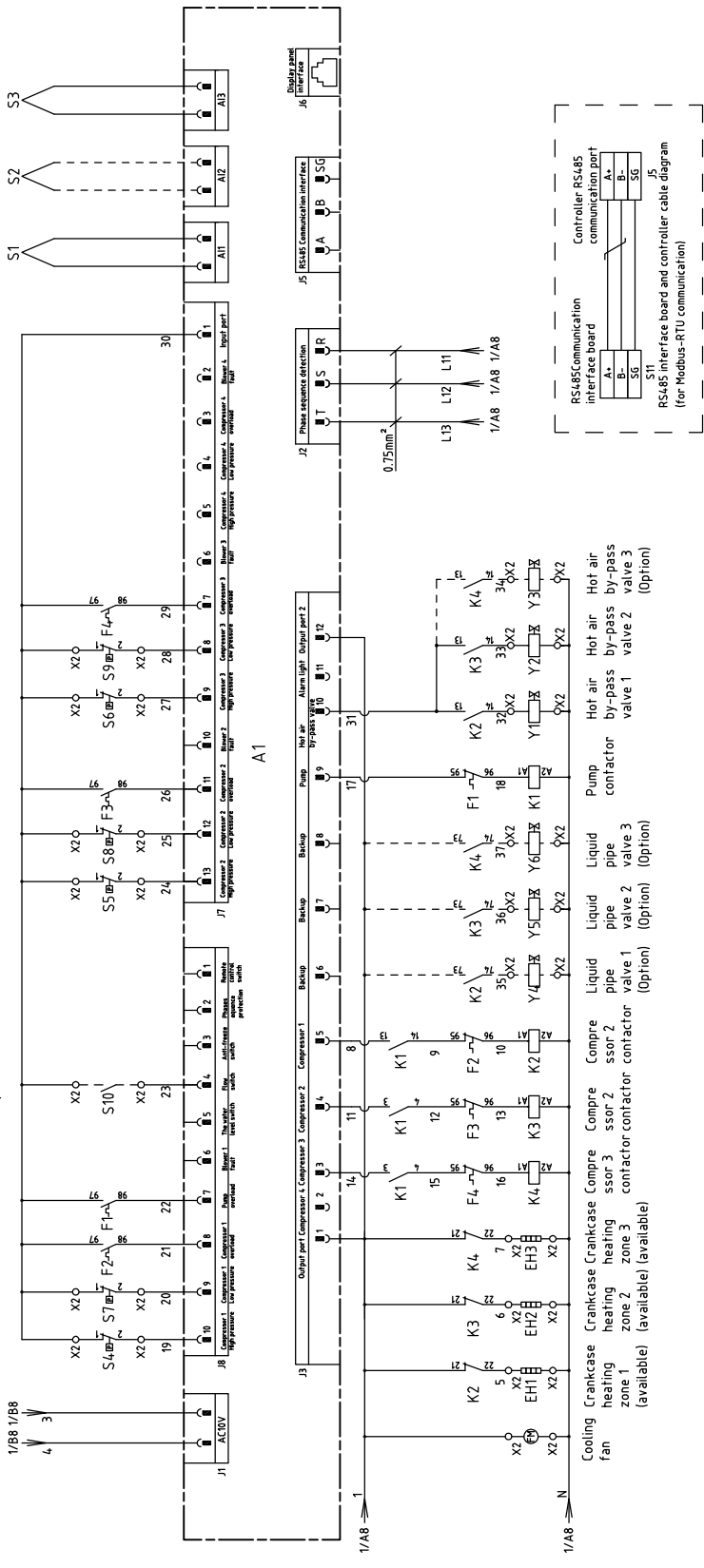
版本 Ver.B

Mark	Before modification	Modified by	20170119	Date	Version	C	Title	Drawing NO.	Scale	Page
	After modification	Checked by	20170119						Standard	Totally
					陆家权		SIC-112W-R2	SIC-112W-R2-CE-400V-C-1	CE	1
					陆家权		Main Circuit Diagram			6
									Voltage	400V
									Frequency	50Hz
1	2	3	4	5	6	7	8			



Freezing temp. thermal resistance (Option)
 Ambient temp. thermal resistance (Option)
 Tank temp. thermal resistance

Water flow switch (Option)



Cooling fan
 Crankcase heating zone 1 (available)
 Crankcase heating zone 2 (available)
 Crankcase heating zone 3 (available)
 Compressor 1
 Compressor 2
 Compressor 3
 Compressor 4
 Compressor 5
 Compressor 6
 Compressor 7
 Compressor 8
 Compressor 9
 Compressor 10
 Compressor 11
 Compressor 12
 Compressor 13
 Compressor 14
 Compressor 15
 Compressor 16
 Compressor 17
 Compressor 18
 Compressor 19
 Compressor 20
 Compressor 21
 Compressor 22
 Compressor 23
 Compressor 24
 Compressor 25
 Compressor 26
 Compressor 27
 Compressor 28
 Compressor 29
 Compressor 30
 Compressor 31
 Compressor 32
 Compressor 33
 Compressor 34
 Compressor 35
 Compressor 36
 Compressor 37
 Compressor 38
 Compressor 39
 Compressor 40
 Compressor 41
 Compressor 42
 Compressor 43
 Compressor 44
 Compressor 45
 Compressor 46
 Compressor 47
 Compressor 48
 Compressor 49
 Compressor 50
 Compressor 51
 Compressor 52
 Compressor 53
 Compressor 54
 Compressor 55
 Compressor 56
 Compressor 57
 Compressor 58
 Compressor 59
 Compressor 60
 Compressor 61
 Compressor 62
 Compressor 63
 Compressor 64
 Compressor 65
 Compressor 66
 Compressor 67
 Compressor 68
 Compressor 69
 Compressor 70
 Compressor 71
 Compressor 72
 Compressor 73
 Compressor 74
 Compressor 75
 Compressor 76
 Compressor 77
 Compressor 78
 Compressor 79
 Compressor 80
 Compressor 81
 Compressor 82
 Compressor 83
 Compressor 84
 Compressor 85
 Compressor 86
 Compressor 87
 Compressor 88
 Compressor 89
 Compressor 90
 Compressor 91
 Compressor 92
 Compressor 93
 Compressor 94
 Compressor 95
 Compressor 96
 Compressor 97
 Compressor 98
 Compressor 99
 Compressor 100

版本 Ver.B

Title		SIC-112W-R2		Drawing NO.		Page 2	
Control Circuit Diagram		SIC-112W-R2-CE-400V-C-2		Standard		CE	
Version		C		Scale		Voltage	
Designer		陆家权		Standard		Frequency	
Proofread by		陆家权		Total		6	
Checked by		Date		Pages		400V	
Modified by		20170119		Frequency		50Hz	
Mark		Before modification		After modification		Modified date	
1		2		3		4	
5		6		7		8	



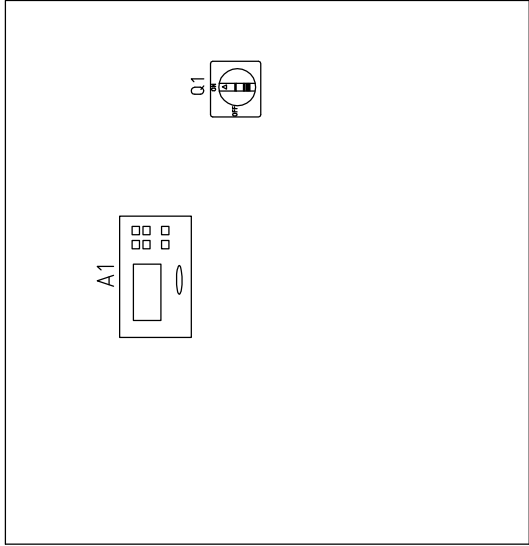
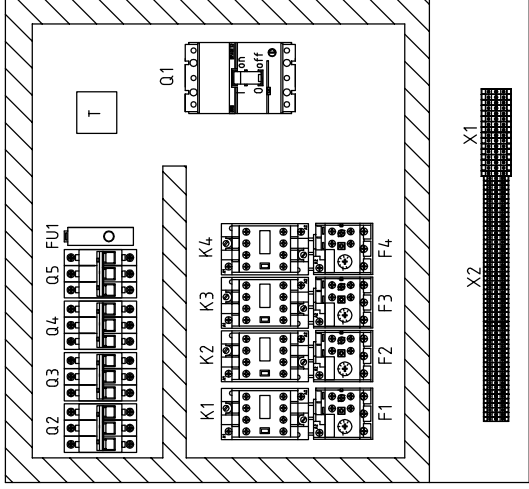
1 2 3 4 5 6 7 8

A

B

C

D



B

C

D

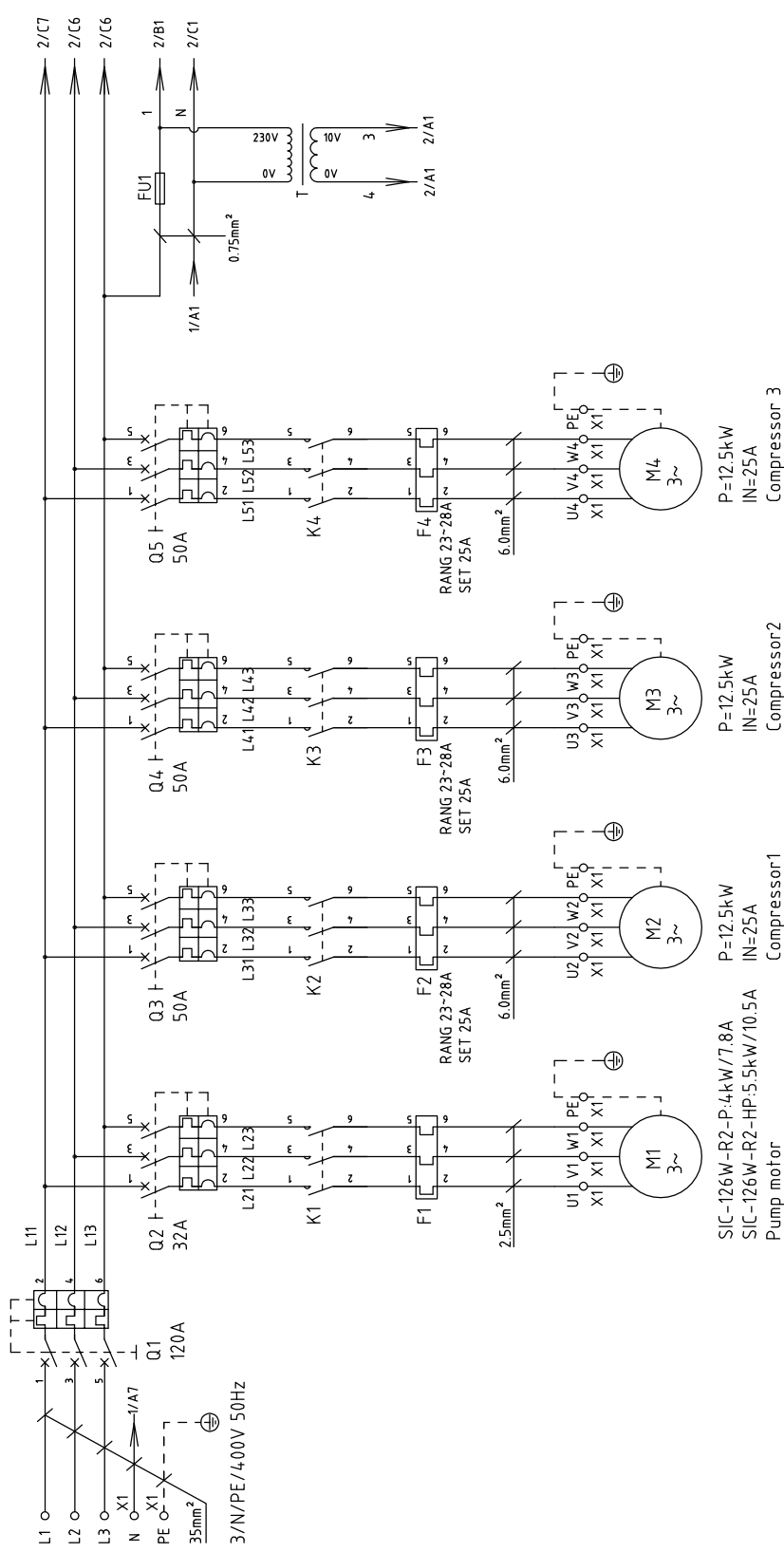
版本 Ver.B

Mark	Before modification	Modified by	Modify date	Checked by	Date	20170119	Proofread by	Approved by	Version	C	Title	SIC-112W-R2	Drawing NO.	SIC-112W-R2-CE-400V-C-3	Scale	Standard	CE	Page	3
	After modification								陆家权		Electrical Components Layout							Totally	6
									陆家权									Voltage	400V
																		Frequency	50Hz




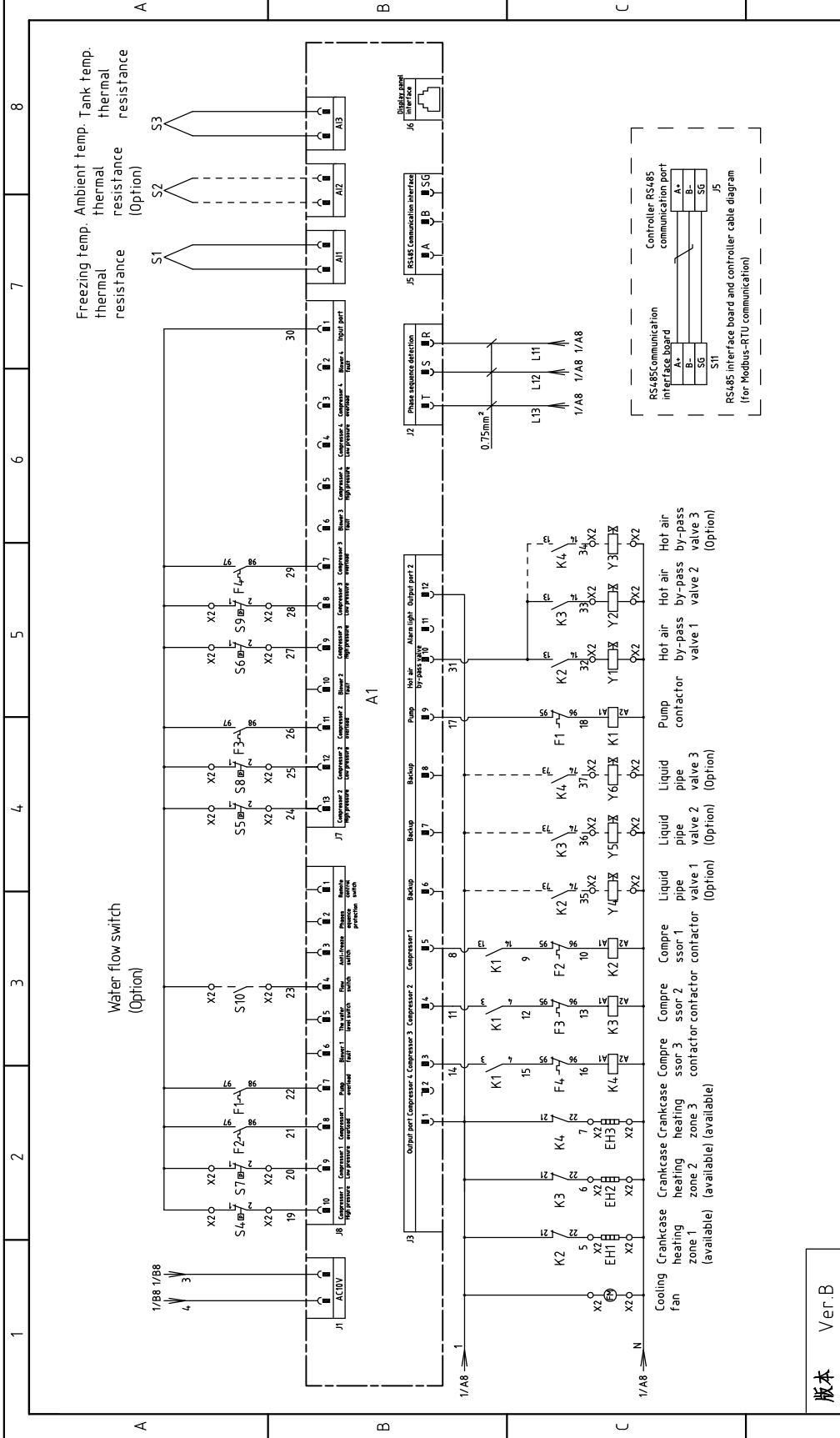
1 2 3 4 5 6 7 8

1	2		3	4	5	6	7	8
NO.	Symbol	Name	Manufacturer	Type	Specification	Number	Material number	Remark
1	Q1	Breaker interlock	ABB	A1A125TMF100	100A	1	YE4.1110200000	
2	Q2	Circuit breaker	TECO	BM-63C/3016S	16A	1	YE4.0301603000	
3	Q3 Q4	Circuit breaker	TECO	BM-63C/3050S	50A	2	YE4.0305003000	A
4	Q5	Circuit breaker	TECO	BM-63C/3032S	32A	1	YE4.0303203000	
5	K1	Contacto	SIEMENS	3RT6016-1AN21	230VAC 50/60Hz	1	YE00601621000	SIC-112W-R2-P
6	K1	Contacto	SIEMENS	3RT6017-1AN21	230VAC 50/60Hz	1	YE00601721000	SIC-112W-R2-HP
7		Auxiliary block	SIEMENS	3RH6911-1HA22	2NO+2NC	1	YE00691100000	
8	K2 K3	Contacto	SIEMENS	3RT6027-1AN20	230VAC 50/60Hz	2	YE00602722000	
9	K4	Contacto	SIEMENS	3RT6026-1AN20	230VAC 50/60Hz	1	YE00602622000	
10		Auxiliary block	SIEMENS	3RH6911-1AA10	1NO	3	YE00691100000	(4)
11	A1	Controllor	PUNP	SF317502A	AC 10V	1	YE60317500800	B
12	S1	Anti-freezing temp. RTD	PUNP	RTD	----	1	----	
13	S3	Water tank temp. RTD	PUNP	RTD	----	1	----	
14	T	Transformer	PUNP	IN=220V OUT=9.8V	----	1	----	
15	FU1	Fuse	YINDA	FS-10	2A	1	YE4.10010000000	
16	F1	Thermo overload relay	SIEMENS	3RU6116-1HB0	5.5-8A	1	YE01160550000	SIC-112W-R2-P
17	F1	Thermo overload relay	SIEMENS	3RU6116-1JB0	7-10A	1	YE01167100000	SIC-112W-R2-HP
18	F2 F3	Thermo overload relay	SIEMENS	3RU6126-4NB0	23-28A	2	YE01612620000	
19	F4	Thermo overload relay	SIEMENS	3RU6126-4BB0	14-20A	1	YE0126014.0000	C
20	S4 S5 S6	HI pressure switch	----	----	----	3	----	(1)
21	S7 S8 S9	L0 pressure switch	----	----	----	3	----	(1)
22	S10	Water flow switch	----	----	----	1	----	(1)(3)
23	S11	Communication interface board RS-485 (double Dsub-9pin connector)	----	----	----	1	YE90048501200	(1)
24		Shell RS485(SAL-700G-A-19J0)	----	----	----	1	YR4.0048500000	(1)
25	X1	Terminal board	----	2.5mm ²	----	3	YE60002503200	
版本 Ver.B Notes: (1)Means it's not the material inside the control box.(2) Stands for optional the third by-pass valve.(3)Stands for optional water flow switch.(4)Stands for optional liquid pipe valve.								
				C	Title	Drawing NO.	Scale	Page
				Version	SIC-112W-R2	SIC-112W-R2-CE-4.00V-C-5	CE	5
				Designer	Electrical Components List 1		Standard	Totally
				Proofread by			Voltage	Pages
				Checked by	20170119		Frequency	400V
				Modified by				50Hz
				Modify date				
				Before modification				
				After modification				
				Date				
				Approved by				
				Drawer	陆家权			
				Designer	陆家权			
				Title	SIC-112W-R2			
				Version				
				Date	20170119			
				Approved by				
				Checked by				
				Modify date				
				Before modification				
				After modification				
				Date				
				Approved by				
				Drawer	陆家权			
				Designer	陆家权			
				Title	SIC-112W-R2			
				Version				
				Date	20170119			
				Approved by				
				Checked by				
				Modify date				
				Before modification				
				After modification				
				Date				
				Approved by				
				Drawer	陆家权			
				Designer	陆家权			
				Title	SIC-112W-R2			
				Version				
				Date	20170119			
				Approved by				
				Checked by				
				Modify date				
				Before modification				
				After modification				
				Date				
				Approved by				
				Drawer	陆家权			
				Designer	陆家权			
				Title	SIC-112W-R2			
				Version				
				Date	20170119			
				Approved by				
				Checked by				
				Modify date				
				Before modification				
				After modification				
				Date				
				Approved by				
				Drawer	陆家权			
				Designer	陆家权			
				Title	SIC-112W-R2			
				Version				
				Date	20170119			
				Approved by				
				Checked by				
				Modify date				
				Before modification				
				After modification				
				Date				
				Approved by				
				Drawer	陆家权			
				Designer	陆家权			
				Title	SIC-112W-R2			
				Version				
				Date	20170119			
				Approved by				
				Checked by				
				Modify date				
				Before modification				
				After modification				
				Date				
				Approved by				
				Drawer	陆家权			
				Designer	陆家权			
				Title	SIC-112W-R2			
				Version				
				Date	20170119			
				Approved by				
				Checked by				
				Modify date				
				Before modification				
				After modification				
				Date				
				Approved by				
				Drawer	陆家权			
				Designer	陆家权			
				Title	SIC-112W-R2			
				Version				
				Date	20170119			
				Approved by				
				Checked by				
				Modify date				
				Before modification				
				After modification				
				Date				
				Approved by				
				Drawer	陆家权			
				Designer	陆家权			
				Title	SIC-112W-R2			
				Version				
				Date	20170119			
				Approved by				
				Checked by				
				Modify date				
				Before modification				
				After modification				
				Date				
				Approved by				
				Drawer	陆家权			
				Designer	陆家权			
				Title	SIC-112W-R2			
				Version				
				Date	20170119			
				Approved by				
				Checked by				
				Modify date				
				Before modification				
				After modification				
				Date				
				Approved by				
				Drawer	陆家权			
				Designer	陆家权			
				Title	SIC-112W-R2			
				Version				
				Date	20170119			
				Approved by				
				Checked by				
				Modify date				
				Before modification				
				After modification				
				Date				
				Approved by				
				Drawer	陆家权			
				Designer	陆家权			
				Title	SIC-112W-R2			
				Version				
				Date	20170119			
				Approved by				
				Checked by				
				Modify date				
				Before modification				
				After modification				
				Date				
				Approved by				
				Drawer	陆家权			
				Designer	陆家权			
				Title	SIC-112W-R2			
				Version				
				Date	20170119			
				Approved by				
				Checked by				
				Modify date				



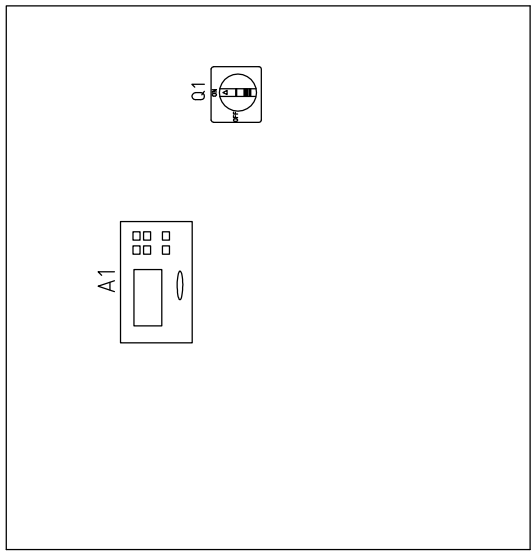
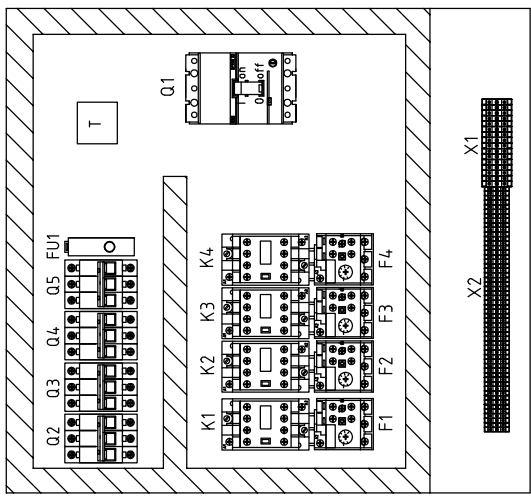
版本 Ver.B

Mark	Before modification	Modified by	Modify date	Date	20170120	Version	C	Title	SIC-126W-R2		Drawing NO.	Scale	Page 1
	After modification	Modified by	Modify date						Main Circuit Diagram				
 信易塑料机械股份有限公司 Shini Plastics Technologies, Inc.													
Voltage 400V Frequency 50Hz													



1 2 3 4 5 6 7 8

A B C D



版本 Ver.B

Mark	Before modification	Modified by	Modify date	Checked by	Date	20170120
	After modification	Modified by	Modify date	Checked by	Date	
Drawer	陆家权	Version	C	Approved by		
Designer	陆家权	Proofread by		Checked by		

Title		Drawing NO.	
SIC-126W-R2		SIC-126W-R2-CE-400V-C-3	
Electrical Components Layout		Standard	
		CF	
Scale		Page	
		3	
Voltage		Totally	
4.00V		6	
Frequency		Pages	
50Hz		6	



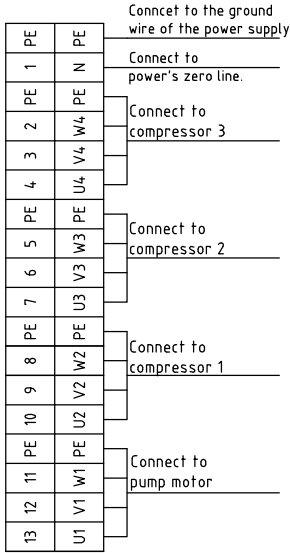
1 2 3 4 5 6 7 8

B C

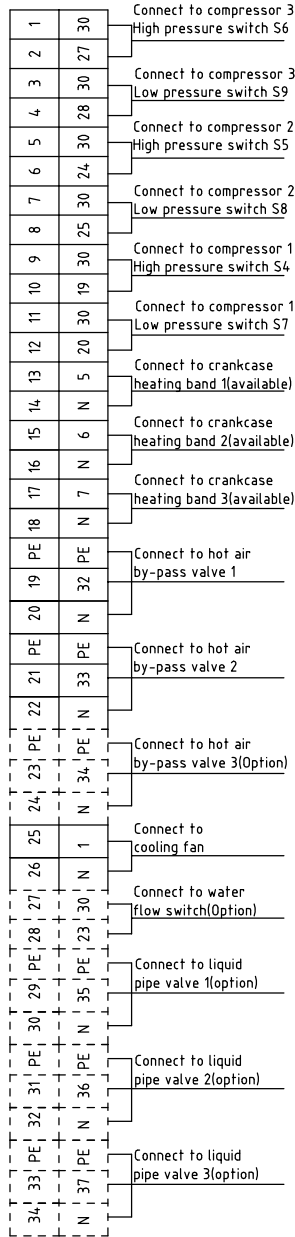
D

1 2 3 4 5 6 7 8

X1



X2



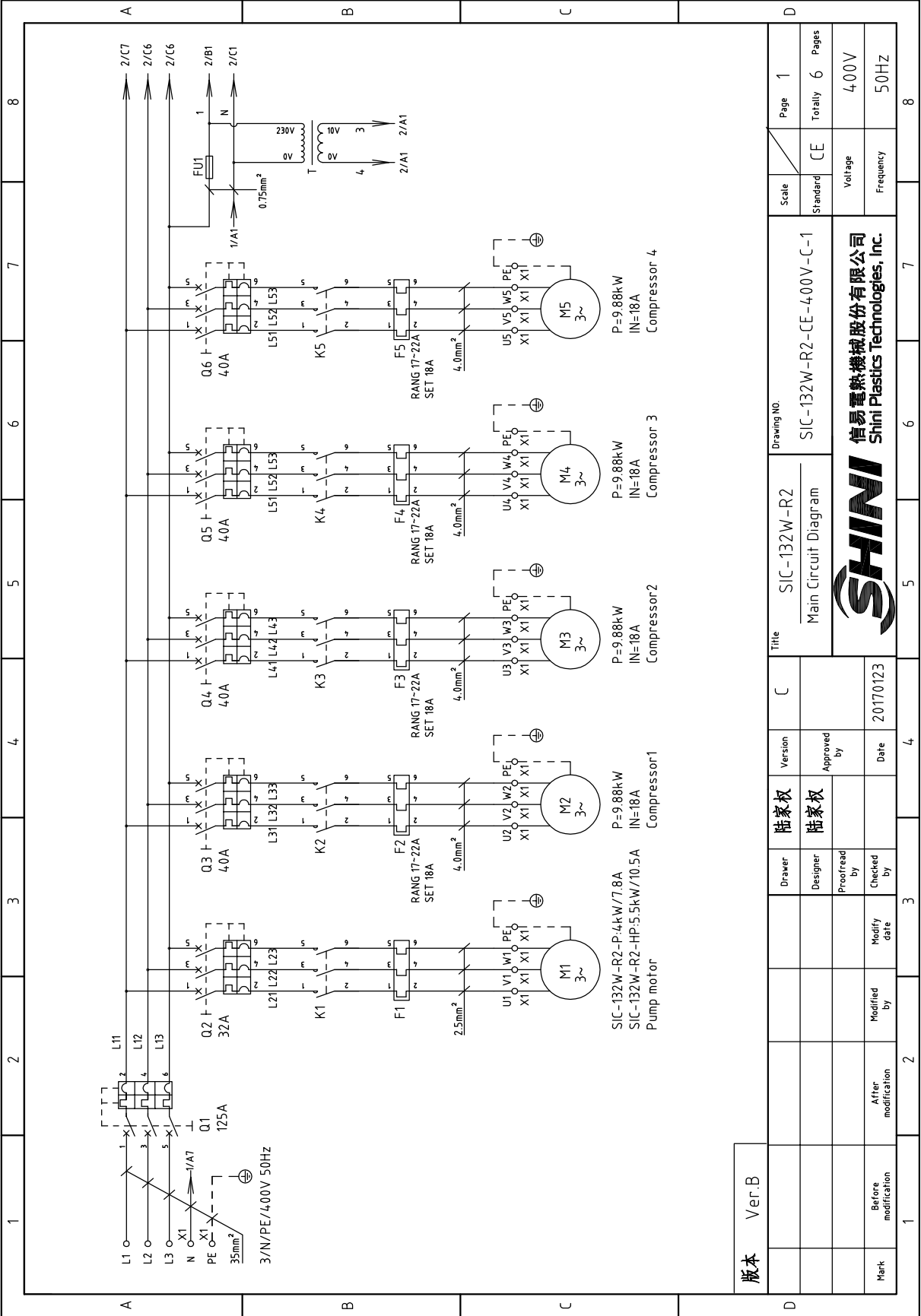
Note: (1)Power cable inlet ends L1,L2,L3 directly connected to the breaker interlock which not pass by the terminal board.
 (2)Compressor, pump, solenoid valve, circuit board must be connected to the ground.

概本	Ver.B
Mark	Before modification
Modified by	Modified date
Checked by	20170120
Proofread by	Date
Designer	Approved by
Drawer	Version
陆家权	C

Title		Drawing NO.	
SIC-126W-R2		SIC-126W-R2-CE-400V-C-4	
Terminal Connection Diagram		CE	
SHINI		信易塑料机械股份有限公司 Shini Plastics Technologies, Inc.	
Scale	Page	Standard	Pages
Standard	4	CE	Totally 6
Voltage		400V	
Frequency		50HZ	

1 2 3 4 5 6 7 8

1	2		3	4	5	6	7	8			
NO.	Symbol	Name	Manufacturer	Type	Specification	Number	Material number	Remark			
1	Q1	Breaker interlock	ABB	A1A125TMF125/12503PFF	125A	1	YE41161400000				
2	Q2	Circuit breaker	TECO	BM-63C/3032S	32A	1	YE40303203000				
3	Q3 Q4 Q5	Circuit breaker	TECO	BM-63C/3050S	50A	3	YE40305003000	A			
4	K1	Contactor	SIEMENS	3RT6017-1AN21	230VAC 50/60Hz	1	YE006011721000	SIC-126W-R2-P			
5	K1	Contactor	SIEMENS	3RT6018-1AN21	230VAC 50/60Hz	1	YE00601800000	SIC-126W-R2-HP			
6		Auxiliary block	SIEMENS	3RH6911-1HA22	2NO+2NC	1	YE00691100000				
7	K2 K3 K4	Contactor	SIEMENS	3RT6027-1AN20	230VAC 50/60Hz	3	YE00602722000				
8		Auxiliary block	SIEMENS	3RH6911-1AA10	1NO	3	YE00691110000	(4)			
9	A1	Controller	PUNP	SF317502A	AC 10V	1	YE80317500800				
10	S1	Anti-freezing temp. RTD	PUNP	RTD	----	1	----				
11	S3	Water tank temp. RTD	PUNP	RTD	----	1	----	B			
12	T	Transformer	PUNP	IN=220V OUT=9.8V	----	1	----				
13	FU1	Fuse	YINDA	FS-10	2A	1	YE41001000000				
14	F1	Thermo overload relay	SIEMENS	3RU6116-1JB0	7-10A	1	YE01167100000	SIC-126W-R2-P			
15	F1	Thermo overload relay	SIEMENS	3RU6116-1KB0	9-12.5A	1	YE01169125000	SIC-126W-R2-HP			
16	F2 F3 F4	Thermo overload relay	SIEMENS	3RU6126-4NB0	23-28A	3	YE01161262000				
17	S4 S5 S6	Hi pressure switch	----	----	----	3	----	(1)			
18	S7 S8 S9	L0 pressure switch	----	----	----	3	----	(1)			
19	S10	Water flow switch	----	----	----	1	----	(1)(3)			
20	S11	Communication interface board RS-485 (double Dsub-9pin connector)	----	----	----	1	YE90048501200	(1)			
21		Shell RS485(SAL-700G-A-19)0	----	----	----	1	YR40048500000	(1)			
22	X1	Terminal board	----	2.5mm ²	----	3	YE60002503200				
23		Terminal board	----	2.5mm ² PE	----	1	YE60002503400				
24		Terminal board	----	6.0mm ²	----	9	YE60000603200				
25		Terminal board	----	6.0mm ² PE	----	3	YE60000603500				
版本 Ver.B		Notes: (1)Means it's not the material inside the control box.(2) Stands for optional the third by-pass valve. (3)Stands for optional water flow switch.(4)Stands for optional liquid pipe valve.			Title SIC-126W-R2		Scale CE		Page 5		
		Drawer 陆家权		Version C		Drawing NO. SIC-126W-R2-CE-4.00V-C-5		Standard CE		Page 6	
		Designer 陆家权		Approved by		Electrical Components List 1		Voltage 4.00V		Totally 6	
		Proofread by		Date 20170120		SHINI 信易塑料机械股份有限公司 Shini Plastics Technologies, Inc.		Frequency 5.0Hz			
Mark		Before modification		Modified by		5		7		8	
1		2		3		4		5		6	



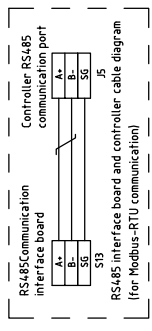
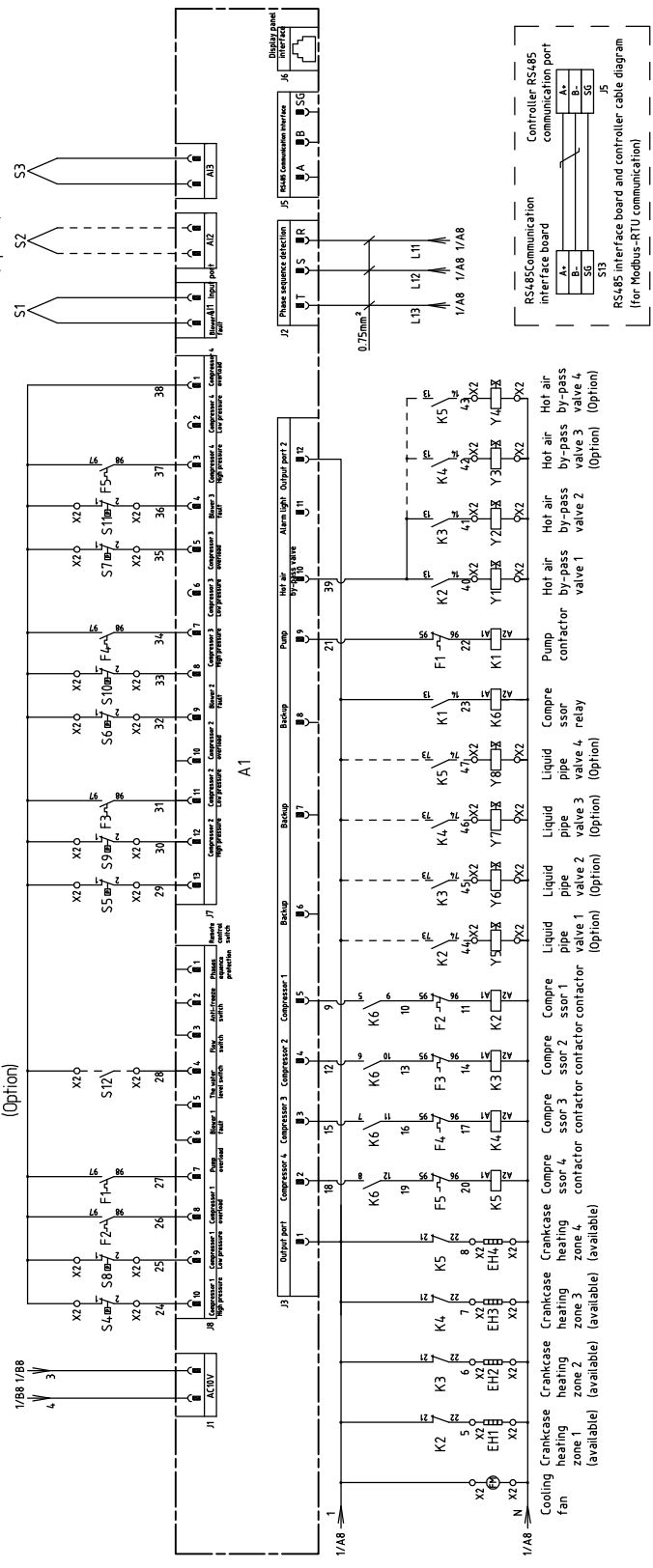
版本 Ver.B

Mark	Before modification	Modified by	Modify date	3	4	Date	2017/01/23	C	Title	SIC-132W-R2 Main Circuit Diagram	Drawing NO.	SIC-132W-R2-CE-4.00V-C-1	Scale	Page
	After modification	Modified by	Modify date										Standard	Totally
													CE	6
													Voltage	400V
													Frequency	50Hz
1	2	3	4	5	6	7	8							



Freezing temp. thermal resistance (Option)
 Ambient temp. thermal resistance (Option)
 Tank temp. thermal resistance

Water flow switch (Option)



版本 Ver.B

Title		SIC-132W-R2		Drawing NO.		Page 2	
Control Circuit Diagram		SIC-132W-R2-CE-400V-C-2		Standard		CE	
Version		C		Voltage		4.00V	
Designer		陆家权		Frequency		50HZ	
Proofread by		陆家权		Totally		6	
Checked by		Date		Pages		4.00V	
Modified by		20170123		Frequency		50HZ	
After modification		Date		Voltage		4.00V	
Before modification		Date		Frequency		50HZ	



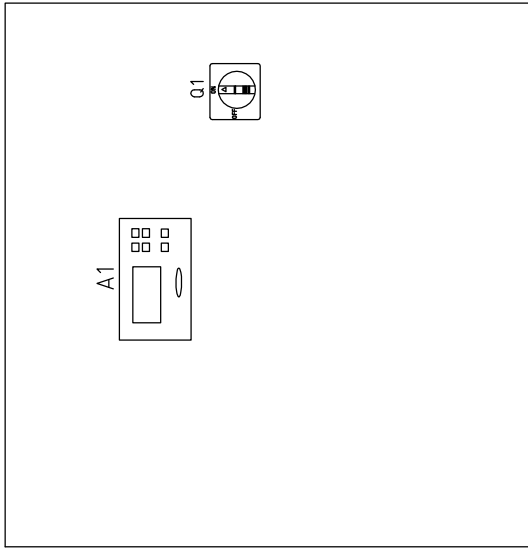
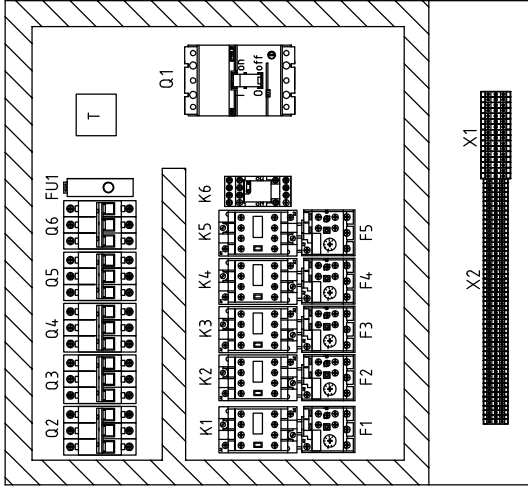
1 2 3 4 5 6 7 8

A

B

C

D



B

C

D

版本	Ver.B
Mark	Before modification
	After modification
	Modified by
	Modify date
	Checked by
	Proofread by
	Designer
	Approved by
	Date
	20170123

Drawing NO.

Title SIC-132W-R2
Electrical Components Layout

Scale

Standard

CE

Page 3

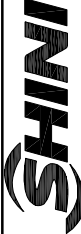
Totally 6

Pages

Voltage 4.00V

Frequency 50HZ

SIC-132W-R2-CE-4.00V-C-3
信易塑胶机械股份有限公司
Shini Plastics Technologies, Inc.



1

2

3

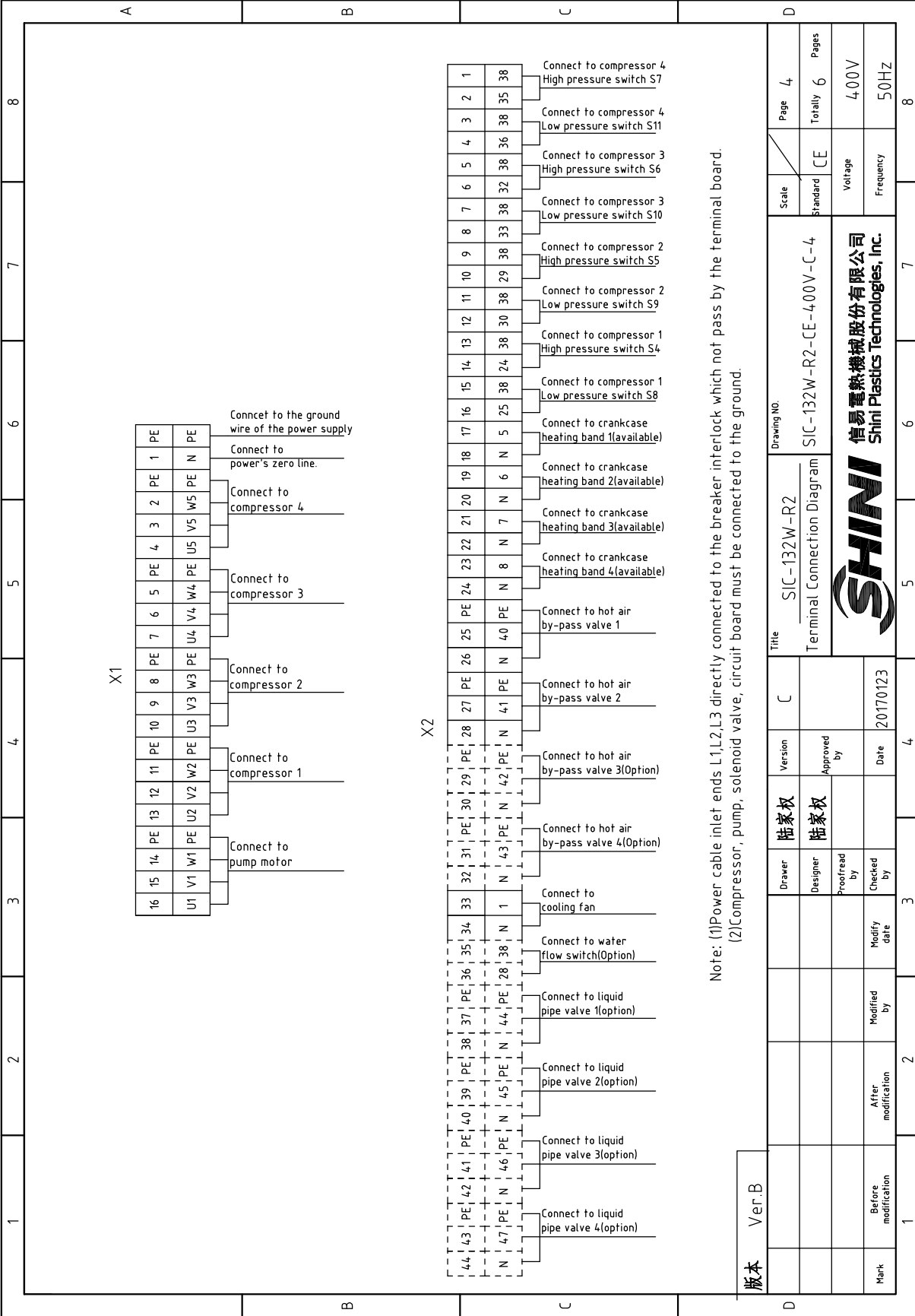
4

5

6

7

8



Note: (1)Power cable inlet ends L1,L2,L3 directly connected to the breaker interlock which not pass by the terminal board.
 (2)Compressor, pump, solenoid valve, circuit board must be connected to the ground.

版本 Ver.B

Title		Drawing NO.		Page	4
SIC-132W-R2		SIC-132W-R2-CE-400V-C-4		Totally	6
Terminal Connection Diagram		CE		Voltage	400V
SHINI 信易塑料机械股份有限公司 Shini Plastics Technologies, Inc.				Frequency	50HZ
Drawer	陆家权	Version	C		
Designer	陆家权	Approved by			
Proofread by		Date	20170123		
Checked by		Modify date			
Modified by		After modification			
Mark		Before modification			

