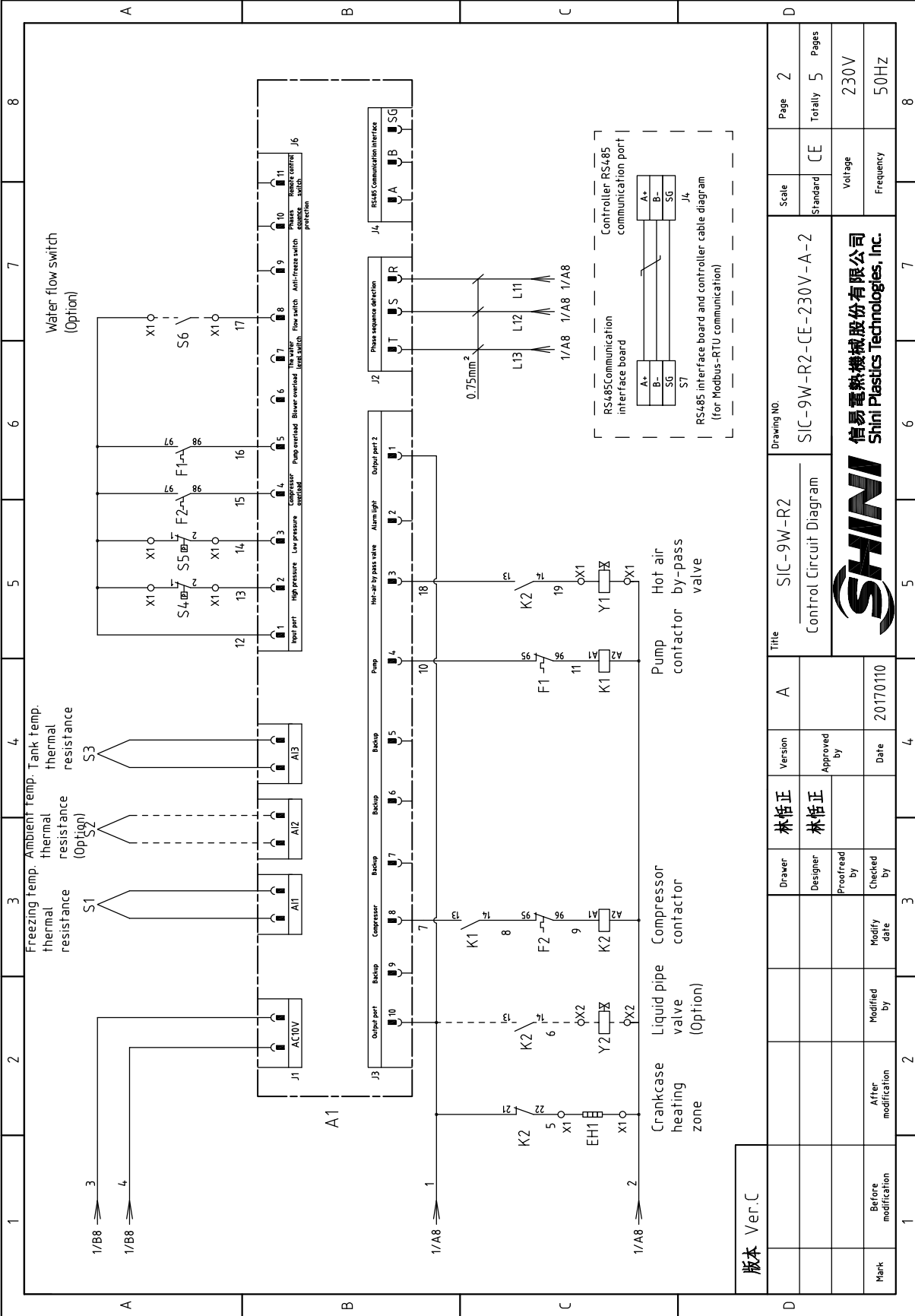


SIC-9W-R2: 0.75kW/3.2A
 SIC-9W-R2-P: 0.75kW/2.9A
 SIC-9W-R2-HP: 1.1kW/4.2A
 Pump motor
 P=2.57kW
 IN=10A
 Compressor

版本 Ver.C

Drawing NO.		SIC-9W-R2-CE-230V-A-1		Page	1
Title		SIC-9W-R2		Scale	CE
Main Circuit Diagram		SHINI		Standard	CE
Version		A		Voltage	230V
Drawer	林栢正	Approved by		Frequency	50Hz
Designer	林栢正	Checked by		Totally 5 Pages	
Proofread by		Modify Date			
Mark	Before modification	After modification			
	20170110	Date	20170110		
1		3		8	

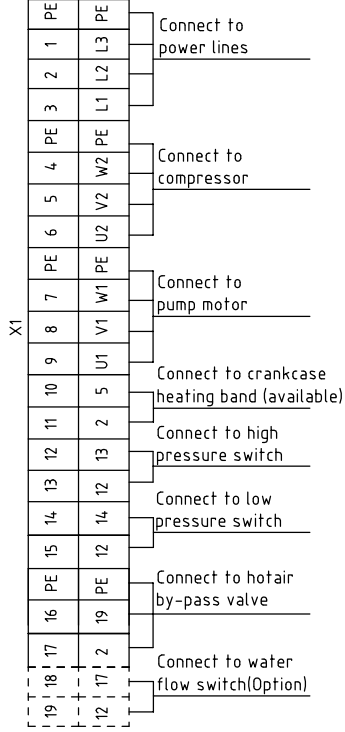
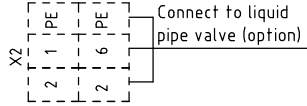
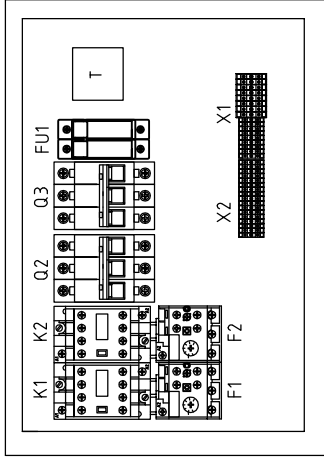
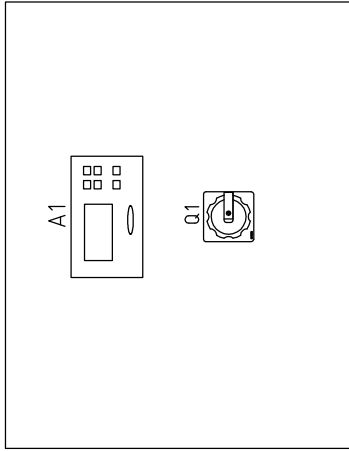
SHINI
 信易電熱機械股份有限公司
 Shini Plastics Technologies, Inc.



版本 Ver.C

Drawing No.		SIC-9W-R2		Page 2	
Title		SIC-9W-R2-CE-230V-A-2		Scale	
Control Circuit Diagram		CE		Standard	
Version		林栢正		Voltage	
Designer		林栢正		Frequency	
Proofread by				230V	
Checked by		20170110		50Hz	
Mark		Before modification		After modification	
Modified by				Modified by	
Modify date				Modify date	
Date		20170110		Date	
Approved by		林栢正		Approved by	
Date		20170110		Date	
Total Pages		5		Total Pages	
Page 2		CE		Page 2	
SIC-9W-R2-CE-230V-A-2		SHINI		SHINI	
信易电热机械股份有限公司		SHINI		SHINI	
Shini Plastics Technologies, Inc.		SHINI		SHINI	

1 2 3 4 5 6 7 8



版本 Ver.C

Mark	Before modification	Modified by	Modify date	Checked by	Date	Approved by	Version	Title	Drawing NO.	Scale	Page
	After modification	Modified by	Modify date							Standard	Totally
					20170110	林悟正	林悟正	A	SIC-9W-R2	SIC-9W-R2-CE-230V-A-3	3
								Electrical Components Layout		CE	5
											230V
											50Hz

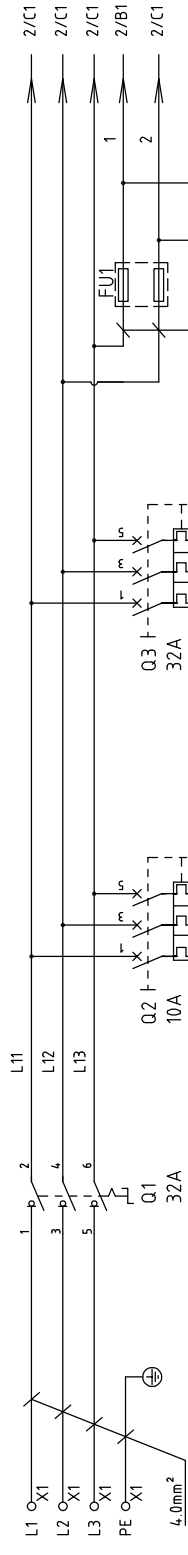


1 2 3 4 5 6 7 8

1		2		3		4		5		6		7		8	
NO.	Symbol	Name	Manufacturer	Type	Specification	Number	Material number	Remark							
1	Q1	Main switch	MOELLER	P1-25/EA/SVB/25A	25A	1	YE10125250000								
2	Q2	Circuit breaker	TECO	BM-63C/3010S	10A	1	YE40301003000								
3	Q3	Circuit breaker	TECO	BM-63C/3025S	25A	1	YE40302503000	A							
4	K1	Contacto	SIEMENS	3RT6016-1AN21	230VAC 50/60Hz	1	YE00601621000								
5	K2	Contacto	SIEMENS	3RT6018-1AN21	230VAC 50/60Hz	1	YE00601800000								
6		Auxiliary block	SIEMENS	3RH6911-1HA11	1NO-1NC	1	YE00691100100								
7	F1	Thermo overload relay	SIEMENS	3RU6116-1EB0	2.8-4A	1	YE01160280000	SIC-9W-R2-P							
8	F1	Thermo overload relay	SIEMENS	3RU6116-1EB0	2.8-4A	1	YE01160280000	SIC-9W-R2-P-P							
9	F1	Thermo overload relay	SIEMENS	3RU6116-1FB0	3.5-5A	1	YE01160350000	SIC-9W-R2-P-HP							
10	F2	Thermo overload relay	SIEMENS	3RU6116-1KB0	9-12.5A	1	YE01169125000								
11	FU1	Fuse	CHINT	RT28-32	2P	1	YE41032200000	B							
12		Fuse core	CHINT	10x38 500V	2A	2	YE46002000100								
13	A1	Controller	PUNP	SF317500A	AC 10V	1	YE80000100900								
14	S1	Anti-freezing temp. RTD	PUNP	RTD	----	1	----								
15	S3	Water tank temp. RTD	PUNP	RTD	----	1	----								
16	T	Transformer	PUNP	IN=220V OUT=9.8V	----	1	----								
17	S4	HI pressure switch	----	----	----	1	----	(1)							
18	S5	L0 pressure switch	----	----	----	1	----	(1)							
19	S6	Water flow switch	----	----	----	1	----	(1)(3)							
20	S7	Communication interface board RS-485 (double DSub-9pin connector)	----	----	----	1	YE90048501200	(1)							
21		Shell RS485(SAL-700G-A-1910)	----	----	----	1	YR40048500000	(1)							
22	X1	Terminal board	----	2.5mm ²	----	17	YE60002503200								
23		Terminal board	----	2.5mm ² PE	----	4	YE60002503400								
24		Terminal board	----	2.5mm ²	----	2	YE60002503200	(3)							
25	X2	Terminal board	----	2.5mm ²	----	2	YE60002503200	(2)							
版本 Ver.C Notes: (1)Means it's not the material inside the control box.(2) Stands for optional liquid pipe valve.(3)Stands for optional water flow switch.															
D				Drawer	林栢正	Version	A	Title		SIC-9W-R2		Drawing NO		Scale	Page
				Designer	林栢正	Approved by		Electrical Components List 1		SIC-9W-R2-CE-230V-A-4		Standard		CE	Totally
				Proofread by		Date	20170110					Voltage		230V	Pages
Mark		Before modification	Modified by	Modify date							Frequency		50Hz		
1	2	3	4	5	6	7	8								



信易塑料机械股份有限公司
Shini Plastics Technologies, Inc.



3/PE/230V 50HZ

SIC-14W-R2:0.75kW/3.2A
 SIC-14W-R2-P:0.75kW/2.9A
 SIC-14W-R2-HP:1.1kW/4.2A
 Pump motor

P=3.55kW
 IN=17A
 Compressor

版本 Ver.C

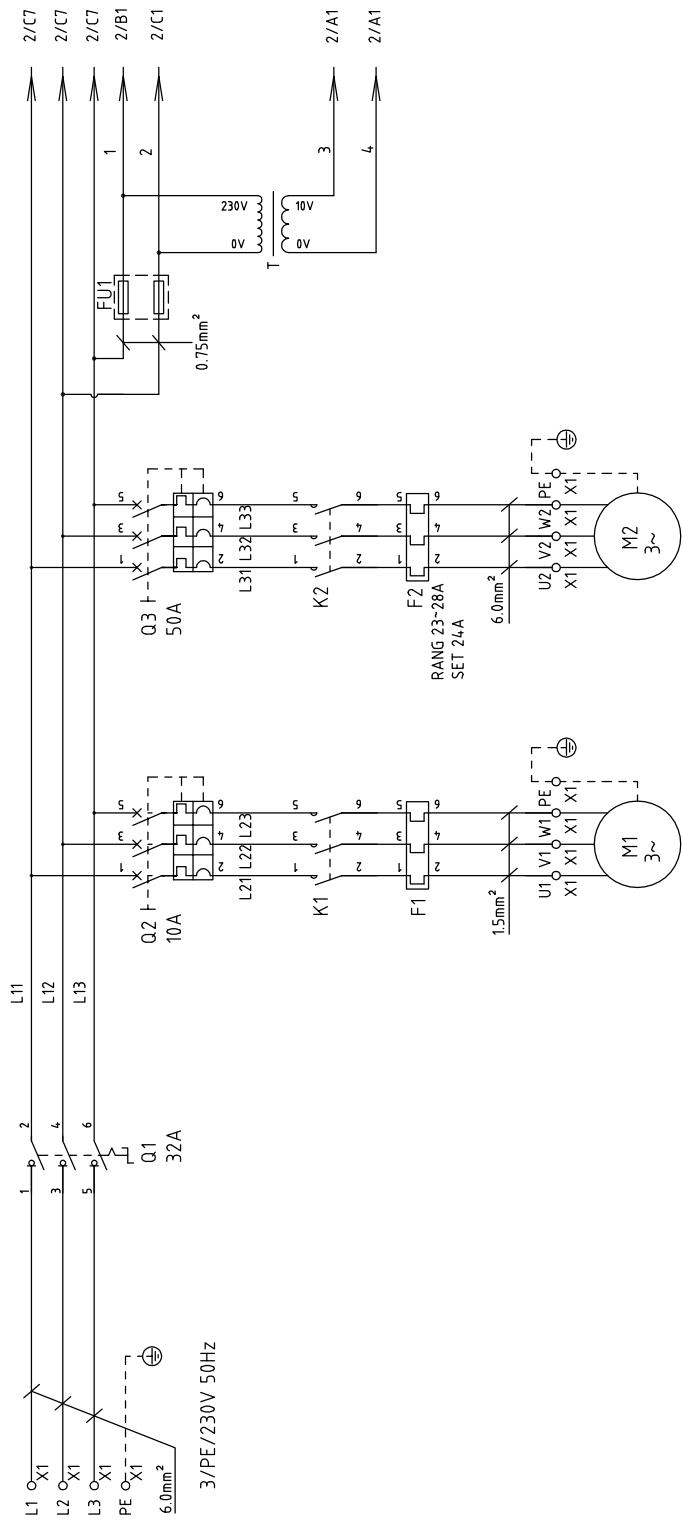
Mark	Before modification	Modified by	Modify Date	Checked by	Date	Approved by	Version	B	Title	SIC-14W-R2 Main Circuit Diagram	Drawing NO. SIC-14W-R2-CE-230V-B-1	Scale	Page
	After modification											Standard	Totally
												CE	1
												Voltage	5
												Frequency	8
													230V
													50HZ



1		2		3		4		5		6		7		8	
NO.	Symbol	Name	Manufacturer	Type	Specification	Number	Material number	Remark							
1	Q1	Main switch	MOELLER	P1-32/EA/SVB	32A	1	YE10323200000								
2	Q2	Circuit breaker	TECO	BM-63C/3010S	10A	1	YE40301003000								
3	Q3	Circuit breaker	TECO	BM-63C/3032S	32A	1	YE40303203000								
4	K1	Contactor	SIEMENS	3RT6016-1AN21	230VAC 50/60Hz	1	YE00601621000								
5	K2	Contactor	SIEMENS	3RT6026-1AN20	230VAC 50/60Hz	1	YE00602622000								
6		Auxiliary block	SIEMENS	3RH6911-1AA10	1NO	1	YE00691100000	(2)							
7	F1	Thermo overload relay	SIEMENS	3RU6116-1EB0	2.8-4A	1	YE01160280000	SIC-14W-R2							
8	F1	Thermo overload relay	SIEMENS	3RU6116-1EB0	2.8-4A	1	YE01160280000	SIC-14W-R2-P							
9	F1	Thermo overload relay	SIEMENS	3RU6116-1FB0	3.5-5A	1	YE01160350000	SIC-14W-R2-HP							
10	F2	Thermo overload relay	SIEMENS	3RU6126-4CB0	17-22A	1	YE01260170000								
11	FU1	Fuse	CHINT	RT28-32	2P	1	YE41032220000								
12		Fuse core	CHINT	10x38 500V	2A	2	YE46002000100								
13	A1	Controller	PUNP	SF317500A	AC 10V	1	YE80000100900								
14	S1	Anti-freezing temp. RTD	PUNP	RTD	----	1	----								
15	S3	Water tank temp. RTD	PUNP	RTD	----	1	----								
16	T	Transformer	PUNP	IN=220V OUT=9.8V	----	1	----								
17	S4	HI pressure switch	----	----	----	1	----	(1)							
18	S5	L0 pressure switch	----	----	----	1	----	(1)							
19	S6	Water flow switch	----	----	----	1	----	(1)(3)							
20	S7	Communication interface board RS-485 (double Dsub-5pin connector)	----	----	----	1	YE90048501200	(1)							
21		Shell RS-485(SAL-700G-A-19)0	----	----	----	1	YR40048500000	(1)							
22	X1	Terminal board	----	2.5mm ²	----	13	YE600002503200								
23		Terminal board	----	2.5mm ² PE	----	2	YE600002503400								
24		Terminal board	----	4.0mm ²	----	6	YE600000403200								
25		Terminal board	----	4.0mm ² PE	----	2	YE600000403500								
版本 Ver.C Notes: (1)Means it's not the material inside the control box.(2) Stands for optional liquid pipe valve. (3)Stands for optional water flow switch.															
		Drawer		Version		B		Title		Drawing NO.		Scale		Page 4	
		Designer		林栢正				SIC-14W-R2		SIC-14W-R2-CE-230V-B-4		Standard		CE	
		Proofread by		林栢正				Electrical Components List 1				Voltage		230V	
		Checked by				Date		20170110				Frequency		50HZ	
Mark		Before modification		After modification		Modify date									
1		2		3		4		5		6		7		8	



1		2		3		4		5		6		7		8	
NO.	Symbol	Name	Manufacturer	Type	Specification	Number	Material number	Remark							
26	X2	Terminal board	----	2.5mm ²	----	2	YE61250040000	(2)							
27		Terminal board	----	2.5mm ² PE	----	1	YE61253500000	(2)							
28	Y1	Solenoid valve	----	----	230V 50/60HZ	1	----	(1)							
29	Y2	Solenoid valve	----	----	230V 50/60HZ	1	----	(1)(2)							
30	M1	Pump motor	----	L0 pressure pump0.75KW	230V 50HZ	1	SIC-14W-R2	(1)							
31	M1	Pump motor	----	MID pressure pump0.75KW	230V 50HZ	1	SIC-14W-R2-P	(1)							
32	M1	Pump motor	----	HI pressure pump 1.1KW	230V 50HZ	1	SIC-14W-R2-HP	(1)							
33	M2	Compressor	----	----	230V 50HZ 3.55kW	1	----	(1)							
34	EH1	Crankcase heating zone	----	----	230V 50/60HZ 35W	1	----	(1)							
B															
C															
D															
版本 Ver.C Notes: (1)Means it's not the material inside the control box.(2) Stands for optional liquid pipe valve. (3)Stands for optional water flow switch.															
		Title		Version		B		SIC-14W-R2		Drawing NO		Scale		Page 5	
		Electrical Components List 2		Approved by		林桂正		SIC-14W-R2-CE-230V-B-5		Standard		CE		Totally 5 Pages	
		Date		Date		20170110				Voltage		230V			
Mark		Before modification		Modified by		Modify date		Checked by		Frequency		50HZ			
SHINI 信易电热机械股份有限公司 Shini Plastics Technologies, Inc.															
5 6 7 8															

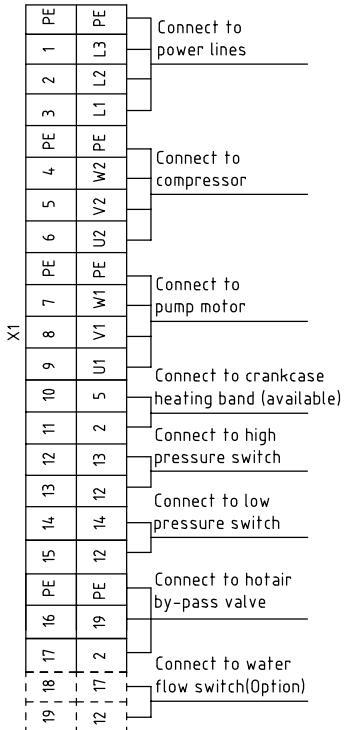
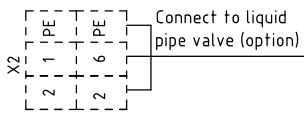
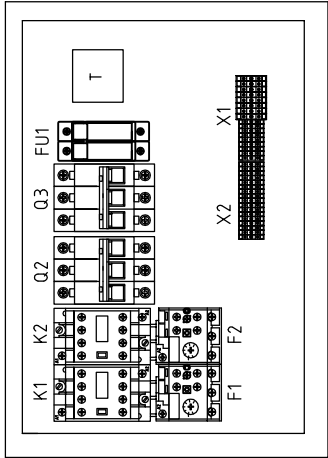
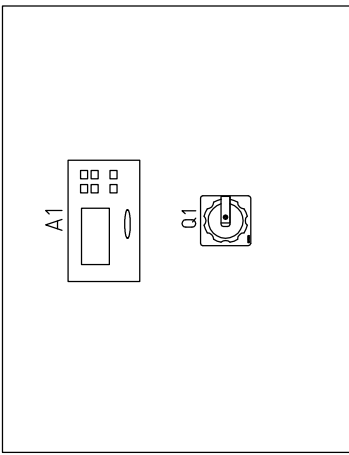


SIC-21W-R2: 1.1kW/4.4A
 SIC-21W-R2-P: 1.1kW/4.2A
 SIC-21W-R2-HP: 1.1kW/4.2A
 Pump motor
 Compressor

版本 Ver.C

Drawing NO.		SIC-21W-R2		Page 1	
Title		SIC-21W-R2-CE-230V-B-1		Scale	
Main Circuit Diagram		Standard		CE	
SHINI 信易電熱機械股份有限公司 Shini Plastics Technologies, Inc.		Voltage		230V	
SHINI		Frequency		50Hz	
Version		B		Totally 5	
Designer		林栢正		Pages	
Approved by		林栢正		5	
Proofread by				Voltage	
Checked by		Date		20170110	
Modified by		Modify Date		Frequency	
After modification				50Hz	
Before modification				8	
Mark		1		8	


1 2 3 4 5 6 7 8



版本 Ver.C

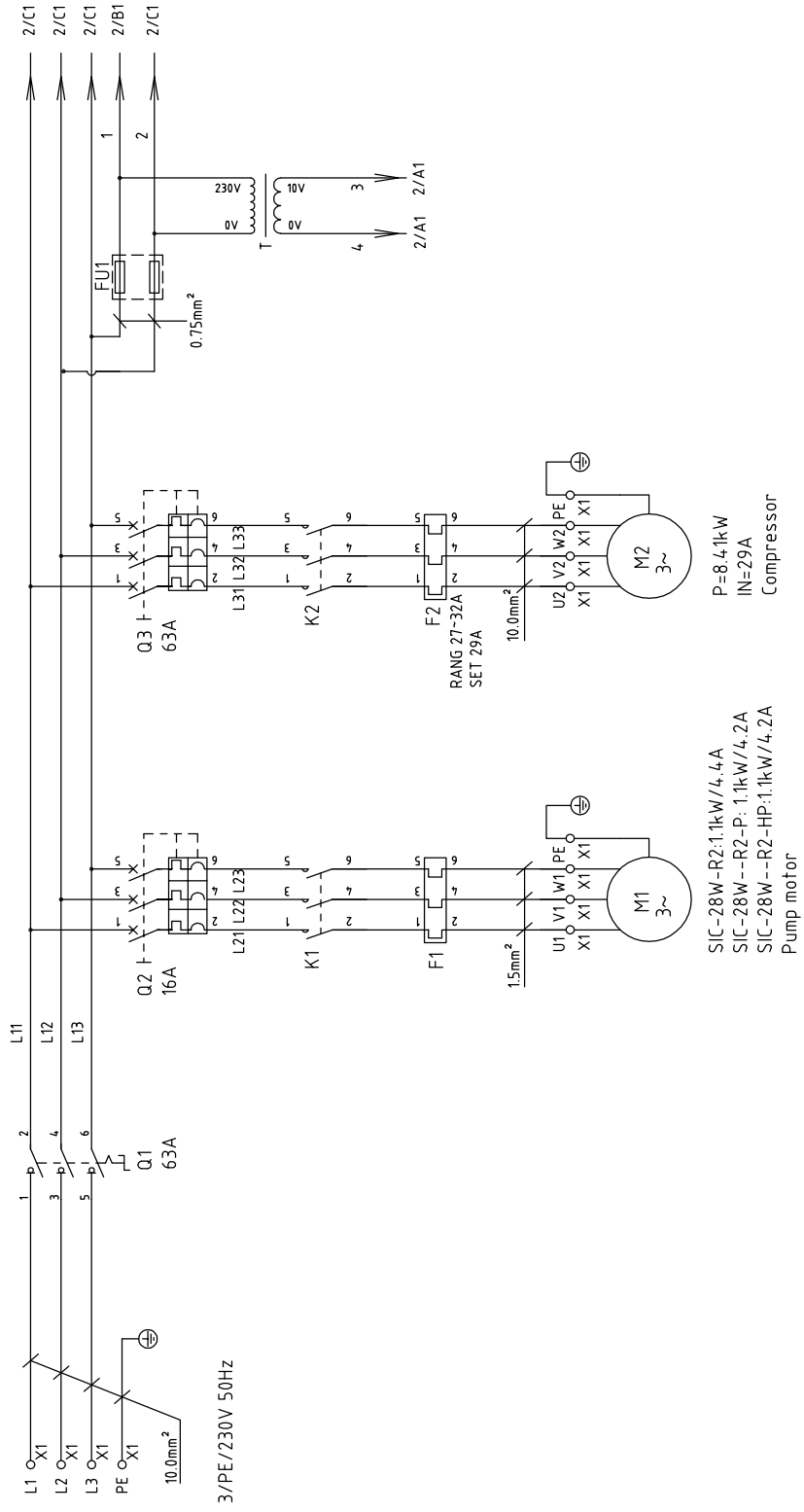
Mark	Before modification	Modified by	Modify date	Checked by	Date	Approved by	Version	B	Title	Drawing NO.	Scale	Page
	After modification	Modified by	Modify date								Standard	Totally
Electrical Components Layout										SIC-21W-R2-CE-230V-B-3		3
SHINI 信易电热机械股份有限公司 Shini Plastics Technologies, Inc.										CE	5	
										Voltage	230V	
										Frequency	50Hz	

1 2 3 4 5 6 7 8

1	2		3	4	5	6	7	8
NO.	Symbol	Name	Manufacturer	Type	Specification	Number	Material number	Remark
1	Q1	Main switch	MOELLER	P1-63/EA/SVB	32A	1	YE10323200000	
2	Q2	Circuit breaker	TECO	BM-63C/3010S	10A	1	YE40301003000	
3	Q3	Circuit breaker	TECO	BM-63C/3050S	50A	1	YE40305003000	A
4	K1	Contacto	SIEMENS	3RT6016-1AN21	230VAC 50Hz	1	YE00601621000	
5	K2	Contacto	SIEMENS	3RT6027-1AN20	230VAC 50Hz	1	YE00602722000	
6		Auxiliary block	SIEMENS	3RH6911-1AA10	1NO	1	YE00691110000	(2)
7	F1	Thermo overload relay	SIEMENS	3RU6116-1FB0	3.5-5A	1	YE01160350000	SIC-21W-R2
8	F1	Thermo overload relay	SIEMENS	3RU6116-1FB0	3.5-5A	1	YE01160350000	SIC-21W-R2-P
9	F1	Thermo overload relay	SIEMENS	3RU6116-1FB0	3.5-5A	1	YE01160350000	SIC-21W-R2-HP
10	F2	Thermo overload relay	SIEMENS	3RU6126-4NB0	23-28A	1	YE01612620000	
11	FU1	Fuse	CHINT	RT28-32	2P	1	YE41032200000	B
12		Fuse core	CHINT	10x38 500V	2A	2	YE46002000100	
13	A1	Controller	PUNP	SF317500A	AC 10V	1	YE80000100900	
14	S1	Anti-freezing temp. RTD	PUNP	RTD	----	1	----	
15	S3	Water tank temp. RTD	PUNP	RTD	----	1	----	
16	T	Transformer	PUNP	IN=220V OUT=9.8V	----	1	----	
17	S4	HI pressure switch	----	----	----	1	----	(1)
18	S5	L0 pressure switch	----	----	----	1	----	(1)
19	S6	Water flow switch	----	----	----	1	----	(1)(3)
20	S7	Communication interface board RS-485 (double Dsub-9pin connector)	----	----	----	1	YE90048501200	(1)
21		Shell RS485(SAL-700G-A-1910)	----	----	----	1	YR40048500000	(1)
22	X1	Terminal board	----	2.5mm ²	----	13	YE60002503200	
23		Terminal board	----	2.5mm ² PE	----	2	YE60002503400	
24		Terminal board	----	6.0mm ²	----	6	YE60000603200	
25		Terminal board	----	6.0mm ² PE	----	2	YE60000603500	
版本 Ver.C Notes: (1)Means it's not the material inside the control box.(2)Stands for optional liquid pipe valve. (3)Stands for optional water flow switch.								
				Drawer 林栢正 Designer 林栢正 Proofread by Checked by Modified by Modify date		Title SIC-21W-R2 Electrical Components List 1		Scale CE Standard Voltage 230V Frequency 50Hz
				Version B Approved by Date 20170110	Drawing NO. SIC-21W-R2-CE-230V-B-4		Page 4 Totally 5 Pages 230V Frequency 50Hz	
								
1	2	3	4	5	6	7	8	

1		2		3		4		5		6		7		8	
NO.	Symbol	Name	Manufacturer	Type	Specification	Number	Material number	Remark							
26	X2	Terminal board	----	2.5mm ²	----	2	YE61250040000	(2)							
27		Terminal board	----	2.5mm ² PE	----	1	YE61253500000	(2)							
28	Y1	Solenoid valve	----	----	230V 50Hz	1	----	(1)	A						
29	Y2	Solenoid valve	----	----	230V 50Hz	1	----	(1)(2)							
30	M1	Pump motor	----	L0 pressure pump1.1KW	230V 50Hz	1	SIC-21W-R2	(1)							
31	M1	Pump motor	----	MID pressure pump1.1KW	230V 50Hz	1	SIC-21W-R2-P	(1)							
32	M1	Pump motor	----	HI pressure pump1.1KW	230V 50Hz	1	SIC-21W-R2-HP	(1)							
33	M2	Compressor	----	----	230V 50Hz 6.16kW	1	----	(1)							
34	EH1	Crankcase heating zone	----	----	230V 50Hz 45W	1	----	(1)							
B															
C															
D															
版本 Ver. C Notes: (1)Means it's not the material inside the control box.(2) Stands for optional liquid pipe valve. (3)Stands for optional water flow switch.															
				Title		SIC-21W-R2		Drawing NO		Scale		Page		5	
				Version		B		SIC-21W-R2-CE-230V-B-5		Standard		CE		Totally 5 Pages	
				Designer		林桂正		Approved by		ELECTRICAL COMPONENTS LIST 2		Voltage		230V	
				Proofread by		林桂正		Date		20170110		Frequency		50HZ	
Mark				Before modification		Modified by		Modify date		Checked by		Checked by			
1															
2															
3															
4															
5															
6															
7															
8															



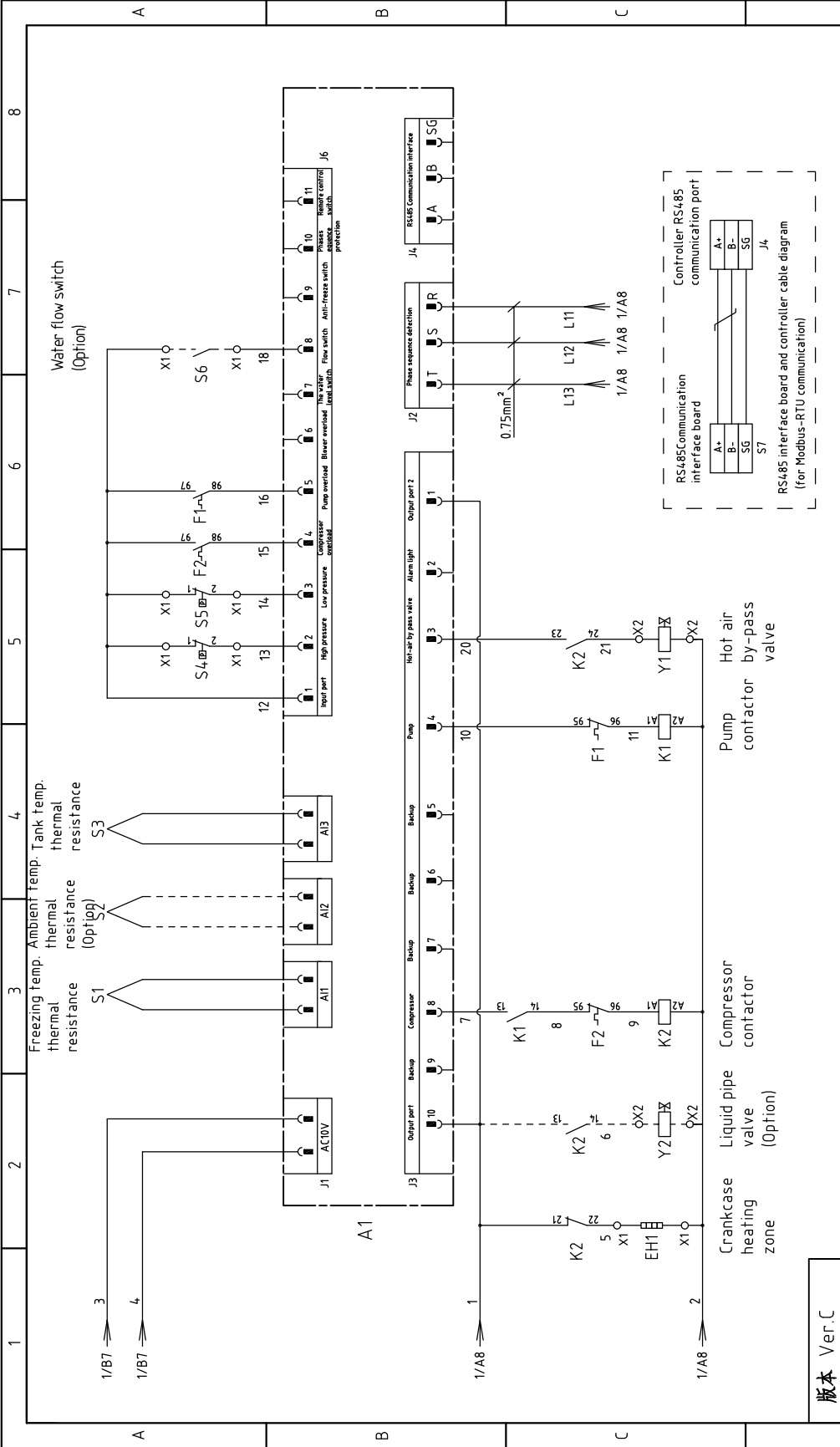


SIC-28W-R2:1.1kW/4.4A
 SIC-28W--R2-P: 1.1kW/4.2A
 SIC-28W--R2-HP:1.1kW/4.2A
 Pump motor
 P=8.4kW
 IN=29A
 Compressor

版本 Ver.C

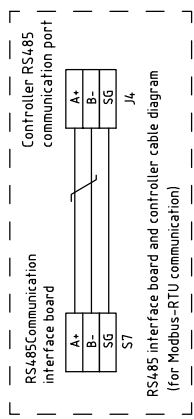
Mark	Before modification	Modified by	Modify Date	Checked by	Date	Approved by	Version	B	Title	SIC-28W-R2	Drawing NO.	SIC-28W-R2-CE-230V-B-1	Scale	Page
	After modification												Standard	Totally
													CE	1
														5
														8
														8



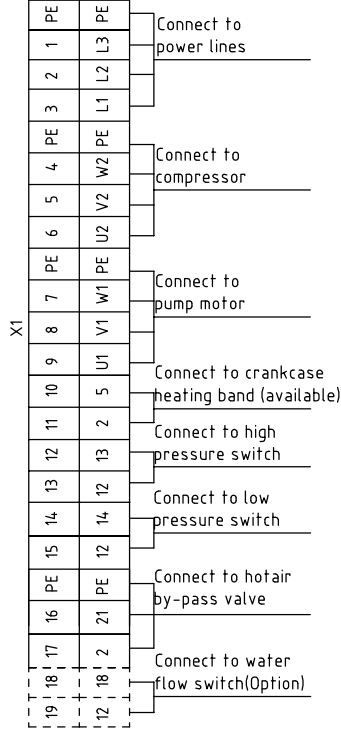
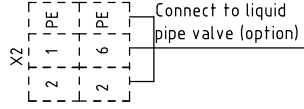
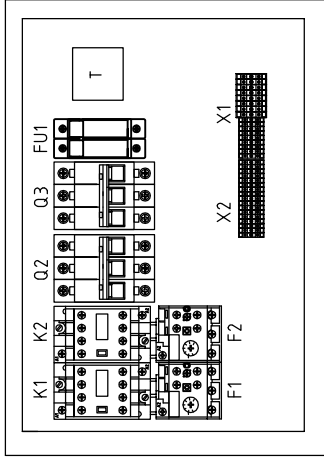
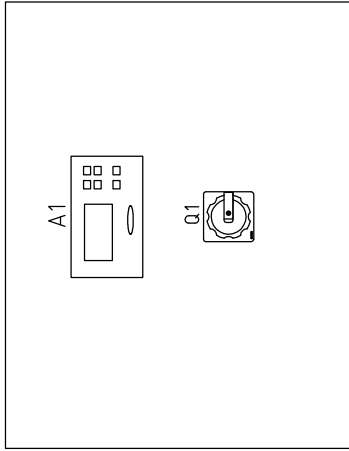


版本 Ver.C

Drawing NO.		SIC-28W-R2		Page 2	
Title		Control Circuit Diagram		Scale	
Version		林栢正		Standard	
Designer		林栢正		CE	
Proofread by				Voltage	
Checked by		20170110		Frequency	
Mark		Before modification		230V	
After modification		Modified by		50HZ	
Modify date		Date		Totally	
				5	
				Pages	
				2	
				8	



1 2 3 4 5 6 7 8



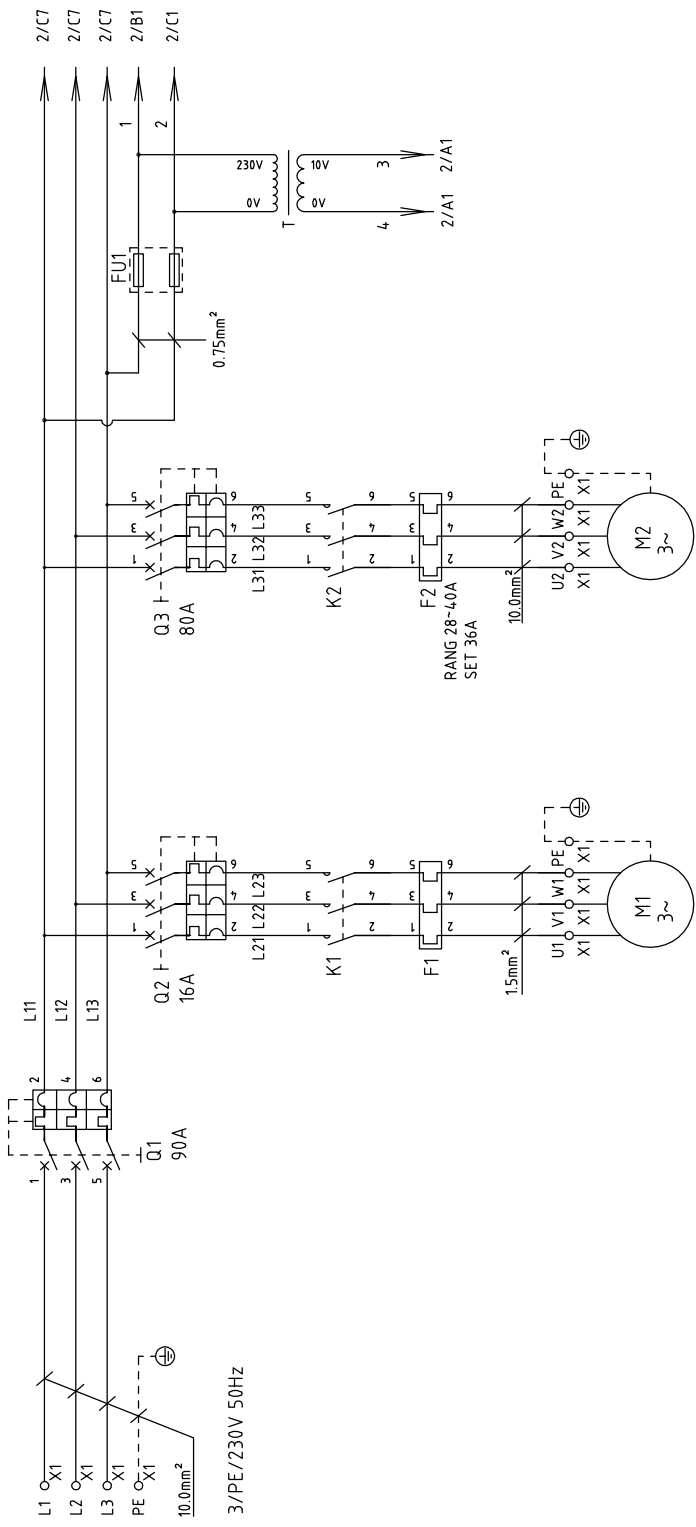
版本 Ver.C

Mark	Before modification	Modified by	Modify date	Checked by	Date	Approved by	Version	B	Title	SIC-28W-R2 Electrical Components Layout	Drawing NO. SIC-28W-R2-CE-230V-B-3	Scale	Page
	After modification	Modified by	Modify date									Standard	Totally
												CE	3
													5
													230V
													50HZ
													8



1	2		3	4	5	6	7	8	
NO.	Symbol	Name	Manufacturer	Type	Specification	Number	Material number	Remark	
1	Q1	Main switch	MOELLER	P1-63/EA/SVB	63A	1	YE10636300000		
2	Q2	Circuit breaker	TECO	BM-63C/3016S	16A	1	YE40301603000		
3	Q3	Circuit breaker	TECO	BM-63C/3063S	63A	1	YE40306303000	A	
4	K1	Contacto	SIEMENS	3RT6016-1AN21	230VAC 50/60Hz	1	YE00601621000		
5	K2	Contacto	SIEMENS	3RT5035-1AN20	230VAC 50/60Hz	1	YE00503500000		
6		Auxiliary block	SIEMENS	3RH5921-1FA22	2NC+2NO	1	YE00592110100		
7	F1	Thermo overload relay	SIEMENS	3RU6116-1FB0	3.5-5A	1	YE01160350000	SIC-28W-R2	
8	F1	Thermo overload relay	SIEMENS	3RU6116-1FB0	3.5-5A	1	YE01160350000	SIC-28W-R2-P	
9	F1	Thermo overload relay	SIEMENS	3RU6116-1FB0	3.5-5A	1	YE01160350000	SIC-28W-R2-HP	
10	F2	Thermo overload relay	SIEMENS	3RU5136-4FB0	28-40A	1	YE01513600100		
11	FU1	Fuse	CHINT	RT28-32	2P	1	YE41032200000	B	
12		Fuse core	CHINT	10x38 500V	2A	2	YE46002000100		
13	A1	Controller	PUNP	SF317500A	AC 10V	1	YE80000100900		
14	S1	Anti-freezing temp. RTD	PUNP	RTD	----	1	----		
15	S3	Water tank temp. RTD	PUNP	RTD	----	1	----		
16	T	Transformer	PUNP	IN=220V OUT=9.8V	----	1	----		
17	S4	HI pressure switch	----	----	----	1	----	(1)	
18	S5	L0 pressure switch	----	----	----	1	----	(1)	
19	S6	Water flow switch	----	----	----	1	----	(1)(4)	
20	S7	Communication interface board RS-485 (double Dsub-9pin connector)	----	----	----	1	YE90048501200	(1)	
21		Shell RS485(SAL-700G-A-1910)	----	----	----	1	YR40048500000	(1)	
22	X1	Terminal board	----	2.5mm ²	----	13	YE60002503200		
23		Terminal board	----	2.5mm ² PE	----	2	YE60002503400		
24		Terminal board	----	10.0mm ²	----	6	YE60001003200		
25		Terminal board	----	10.0mm ² PE	----	2	YE60001003500		
版本 Ver.C Notes: (1)Means it's not the material inside the control box.(2) Stands for optional liquid pipe valve. (3)Stands for optional water flow switch.									
				Drawer	林格正	Title		SIC-28W-R2	
				Designer	林格正	Drawing NO		SIC-28W-R2-CE-230V-B-4	
				Proofread by		Electrical Components List 1		Scale	Page 4
				Checked by				Standard	Totally 5 Pages
				Modified by				Voltage	230V
				Modify date	20170110			Frequency	50HZ
				Before modification				SHINI 信易塑料机械股份有限公司 Shini Plastics Technologies, Inc.	
1	2	3	4	5	6	7	8		

1		2		3		4		5		6		7		8	
NO.	Symbol	Name	Manufacturer	Type	Specification	Number	Material number	Remark							
26	X2	Terminal board	----	2.5mm ²	----	2	YE60002503200	(2)							
27		Terminal board	----	2.5mm ² PE	----	1	YE60002503400	(2)							
28	Y1	Solenoid valve	----	----	230V 50/60Hz	1	----	(1)							
29	Y2	Solenoid valve	----	----	230V 50/60Hz	1	----	(1)(2)							
30	M1	Pump motor	----	L0 pressure pump1.1KW	230V 50Hz	1	SIC-28W-R2	(1)							
31	M1	Pump motor	----	MID pressure pump1.1KW	230V 50Hz	1	SIC-28W-R2-P	(1)							
32	M1	Pump motor	----	HI pressure pump1.1KW	230V 50Hz	1	SIC-28W-R2-HP	(1)							
33	M2	Compressor	----	----	230V 50Hz 8.41kW	1	----	(1)							
34	EH1	Crankcase heating zone	----	----	230V 50/60Hz 45W	1	----	(1)							
A															
B															
C															
D															
版本 Ver.C Notes: (1)Means it's not the material inside the control box.(2) Stands for optional liquid pipe valve. (3)Stands for optional water flow switch.															
		Title		Version		Drawer		Designer		Proofread by		Checked by		Modified by	
		SIC-28W-R2		B		林栝正		林栝正							
		Electrical Components List 2		Approved by		Date		20170110							
		Drawing NO		Scale		Page		Standard		Voltage		Frequency		Totally	
		SIC-28W-R2-CE-230V-B-5		CE		5		CE		230V		50HZ		5	
		SHINI		Shini Plastics Technologies, Inc.		5		6		7		8			



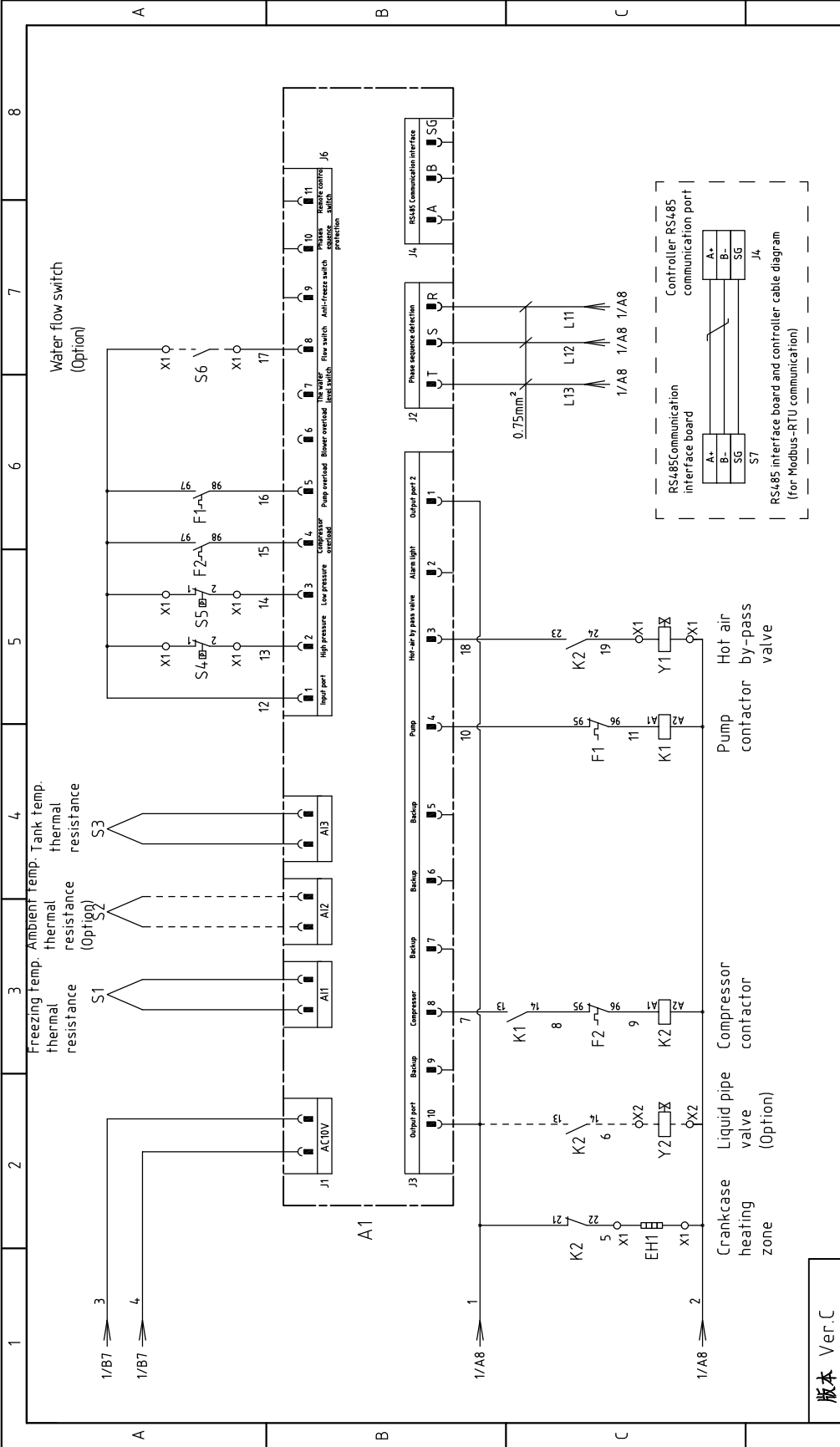
SIC-33W-R2-P: 1.5kW 5.5A
 SIC-33W-R2-HP: 2.2kW 7.8A
 Pump motor
 Compressor

P=9.25kW
 IN=36A
 Compressor

版本 Ver.C

Mark	Before modification	After modification	Modify Date	Checked by	Approved by	Version	B	Title		SIC-33W-R2		Drawing NO.		SIC-33W-R2-CE-230V-B-1		Scale	Page	
					林栢正	林栢正			Main Circuit Diagram						Standard	Totally		
															CE	5	Pages	
																	230V	Frequency
																	50Hz	






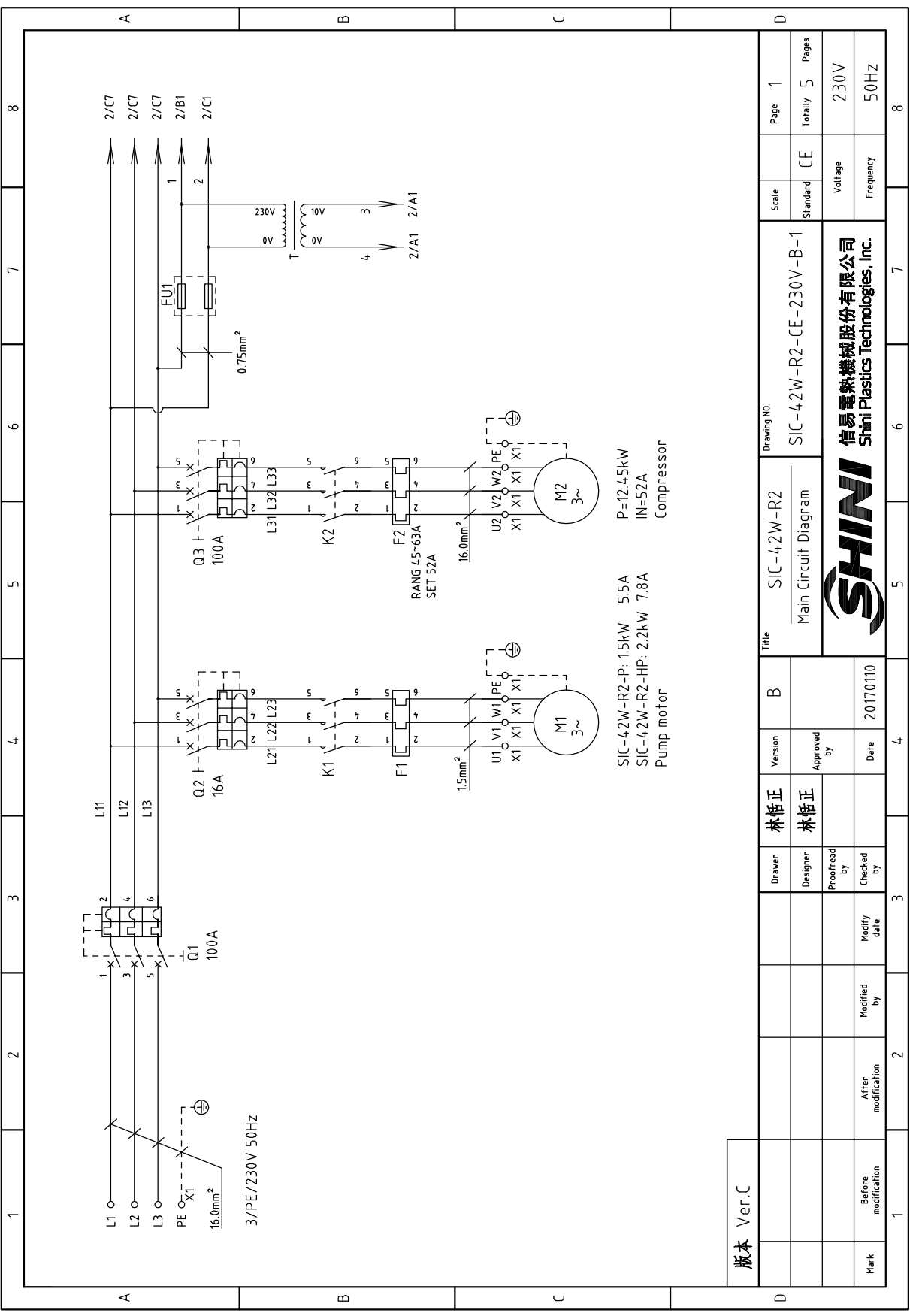
版本 Ver.C

Title		SIC-33W-R2		Drawing NO.		Page 2	
Control Circuit Diagram		SIC-33W-R2-CE-230V-B-2		Standard		CE	
Version		林栢正		Scale		Voltage	
Designer		林栢正		Standard		Frequency	
Proofread by				Voltage		230V	
Checked by		20170110		Frequency		50Hz	
Mark		Before modification		Modified by		Totally 5	
After modification		Date		Pages		230V	
1		4		5		50Hz	
2		3		6		8	
3		4		7		8	
4		5		8		8	



1		2		3		4		5		6		7		8	
NO.	Symbol	Name	Manufacturer	Type	Specification	Number	Material number	Remark							
1	Q1	Breaker interlock	ABB	A1A125TMF90/9003PFF	90A	1	YE4.1109200000								
2	Q2	Circuit breaker	TECO	BM-63C/3016S	16A	1	YE4.0301603000								
3	Q3	Circuit breaker	TECO	BM-100D/3080S	80A	1	YE4.0308003000								
4	K1	Contactor	SIEMENS	3RT6017-1AN21	230VAC 50/60Hz	1	YE00601721000								
5	K2	Contactor	SIEMENS	3RT5036-1AN20	230VAC 50/60Hz	1	YE005044000000								
6		Auxiliary block	SIEMENS	3RH5921-1FA22	2NC+2NO	1	YE00592110100								
7	F1	Thermo overload relay	SIEMENS	3RU6116-1GB0	4.5-6.3A	1	YE01160450000	SIC-33W-R2-P							
8	F1	Thermo overload relay	SIEMENS	3RU6116-1JB0	7-10A	1	YE01167100000	SIC-33W-R2-HP							
9	F2	Thermo overload relay	SIEMENS	3RU5136-4FB0	28-40A	1	YE01513600100								
10	FU1	Fuse base	CHNT	RT18-32	32A 2P	1	YE4.1032200000								
11		Fuse	MRO	10x38 500V	2A	2	YE4.6002000100								
12	A1	Controller	PUNP	SF317500A	AC 10V	1	YE80000100900								
13	S1	Anti-freezing temp. RTD	PUNP	RTD	----	1	----								
14	S3	Water tank temp. RTD	PUNP	RTD	----	1	----								
15	T	Transformer	PUNP	IN=220V OUT=9.8V	----	1	----								
16	S4	HI pressure switch	----	----	----	1	----	(1)							
17	S5	L0 pressure switch	----	----	----	1	----	(1)							
18	S6	Water flow switch	----	----	----	1	----	(1)(3)							
19	S7	Communication interface board RS-485 (double Dsub-9pin connector)	----	----	----	1	YE9004.8501200	(1)							
20		Shell RS485(SAL-700G-A-19)0	----	----	----	1	YR4.004.8500000	(1)							
21	X1	Terminal board	----	2.5mm ²	----	11	YE60002503200								
22		Terminal board	----	2.5mm ² PE	----	2	YE600002503400								
23		Terminal board	----	10.0mm ²	----	6	YE600001003200								
24		Terminal board	----	10.0mm ² PE	----	2	YE60001003500								
25		Terminal board	----	2.5mm ²	----	2	YE60002503200	(3)							
版本 Ver.C Notes: (1)Means it's not the material inside the control box.(2) Stands for optional liquid pipe valve. (3)Stands for optional water flow switch.															
		Drawer		Version		B		Title		SIC-33W-R2		Drawing NO		Scale	
		Designer		林栝正		Approved by		Electrical Components List 1		SIC-33W-R2-CE-230V-B-4		Standard		CE	
		Proofread by		林栝正		Date		SHINI		Voltage		Page		4	
		Checked by		20170110				信易塑料机械股份有限公司		Frequency		Page		5	
		Modified by						SHINI		230V		Page		5	
		Modify date						Shini Plastics Technologies, Inc.		50Hz		Page		5	
Mark		Before modification						SHINI		Voltage		Page		5	
		After modification						SHINI		Frequency		Page		5	
1		2		3		4		5		6		7		8	

1		2		3		4		5		6		7		8	
NO.	Symbol	Name	Manufacturer	Type	Specification	Number	Material number	Remark							
26	X2	Terminal board	----	2.5mm ²	----	2	YE60002503200	(2)							
27		Terminal board	----	2.5mm ² PE	----	1	YE60002503400	(2)							
28	Y1	Solenoid valve	----	----	230V 50/60HZ	1	----	(1)							
29	Y2	Solenoid valve	----	----	230V 50/60HZ	1	----	(1)(2)							
30	M1	Pump motor	----	MID pressure pump1.5KW	230V 50HZ	1	SIC-33W-R2-P	(1)							
31	M1	Pump motor	----	HI pressure pump2.2KW	230V 50HZ	1	SIC-33W-R2-HP	(1)							
32	M2	Compressor	----	----	230V 50HZ 9.25kW	1	----	(1)							
33	EH1	Crankcase heating zone	----	----	230V 50/60HZ 4.5W	1	----	(1)							
B															
C															
D															
版本 Ver. C Notes: (1)Means it's not the material inside the control box.(2) Stands for optional liquid pipe valve. (3)Stands for optional water flow switch.															
		Title		Version		Scale		Page							
		SIC-33W-R2		B		SIC-33W-R2		5							
		Electrical Components List 2		Approved by		Standard		Totally							
		林惟正		林惟正		CE		5							
		Proofread by		Date		Voltage		Frequency							
				20170110		230V		50HZ							
Mark		Before modification		Modified by		Modify date		Checked by							
1		2		3		4		5		6		7		8	
 SHINI 信易电热机械股份有限公司 Shini Plastics Technologies, Inc.															

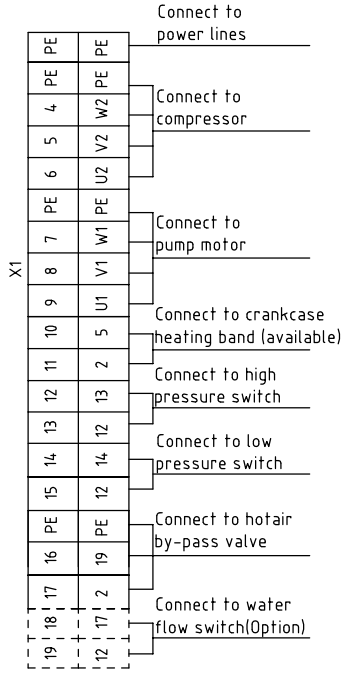
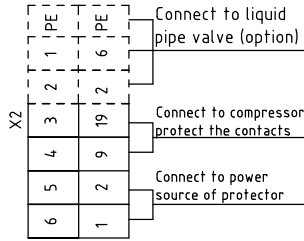
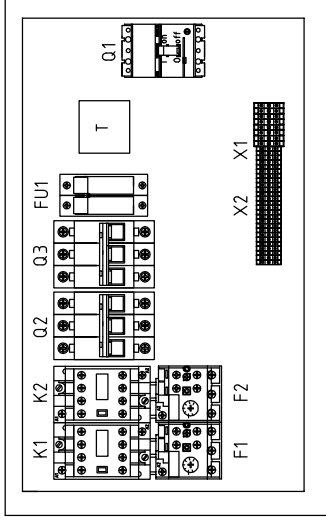
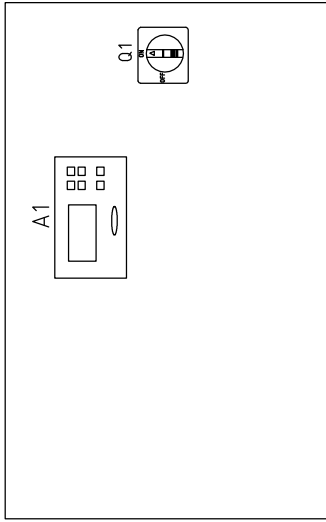


SIC-42W-R2-P: 1.5kW 5.5A
 SIC-42W-R2-HP: 2.2kW 7.8A
 Pump motor
 P=12.45kW
 IN=52A
 Compressor

版本 Ver.C

Drawing NO.		SIC-42W-R2		Page 1	
Title		SIC-42W-R2		Scale	
Main Circuit Diagram		SIC-42W-R2-CE-230V-B-1		Standard CE	
SHINI 信易電熱機械股份有限公司 Shini Plastics Technologies, Inc.		Voltage		230V	
Date		Frequency		50Hz	
20170110		CE		Totally 5	
Date		Voltage		Pages	
20170110		230V		5	
Date		Frequency		Pages	
20170110		50Hz		5	

1 2 3 4 5 6 7 8



Note: Power cable inlet ends L1,L2,L3 directly connected to the breaker interlock which not pass by the terminal board.

版本 Ver.C

Mark	Before modification	Modified by	Modify date	Checked by	Date	Approved by	Version	Drawer	Title	Drawing NO.	Scale	Page
	After modification	Modified by	Modify date								Standard	Totally
					20170110	林栢正	B	SIC-42W-R2	Electrical Components Layout	SIC-42W-R2-CE-230V-B-3	CE	3
						林栢正						5
												230V
												50HZ

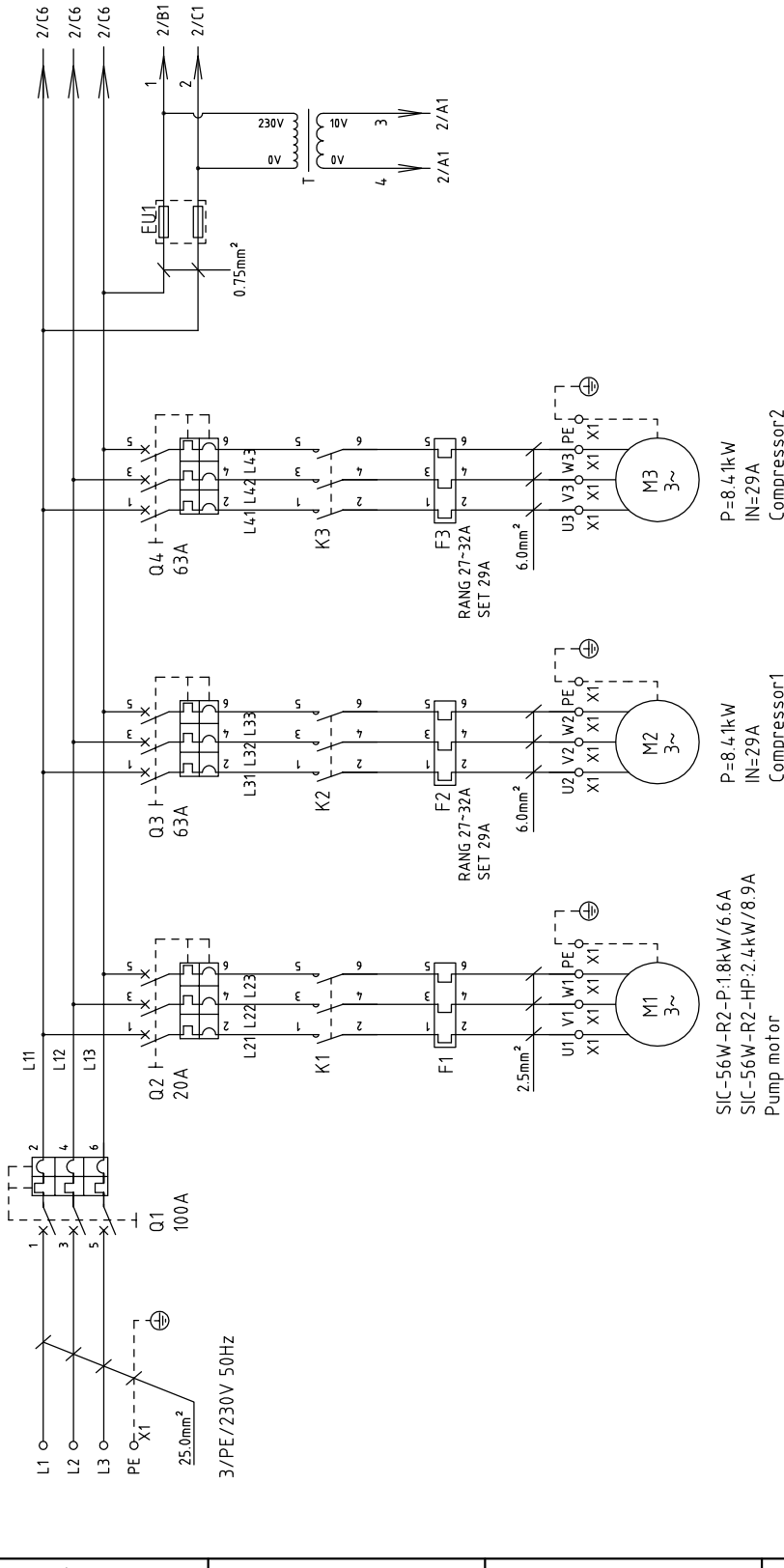


1 2 3 4 5 6 7 8

1	2		3	4	5	6	7	8
NO.	Symbol	Name	Manufacturer	Type	Specification	Number	Material number	Remark
1	Q1	Breaker interlock	ABB	A1A125TMF100/10003PFF	100A	1	YE4.1110200000	
2	Q2	Circuit breaker	TECO	BM-63C/3016S	16A	1	YE4.031603000	
3	Q3	Circuit breaker	TECO	BM-100D/30100S	100A	1	YE4.0310003000	A
4	K1	Contacto	SIEMENS	3RT6017-1AN21	230VAC 50/60Hz	1	YE00601721000	
5	K2	Contacto	SIEMENS	3RT5044-1AN20	230VAC 50/60Hz	1	YE00504400000	
6		Auxiliary block	SIEMENS	3RH5921-1FA22	2NC+2NO	1	YE00592110100	
7	F1	Thermo overload relay	SIEMENS	3RU6116-1GB0	4.5-6.3A	1	YE01160450000	SIC-42W-R2-P
8	F1	Thermo overload relay	SIEMENS	3RU6116-1JB0	7-10A	1	YE01167100000	SIC-42W-R2-HP
9	F2	Thermo overload relay	SIEMENS	3RU5146-4JB0	4.5-63A	1	YE01514640000	
10	FU1	Fuse base	CHNT	RT18-32	32A 2P	1	YE4.1032200000	
11		Fuse	MRO	10x38 500V	2A	2	YE4.6002000100	B
12	A1	Controllor	PUNP	SF317500A	AC 10V	1	YE80000100900	
13	S1	Anti-freezing temp. RTD	PUNP	RTD	----	1	----	
14	S3	Water tank temp. RTD	PUNP	RTD	----	1	----	
15	T	Transformer	PUNP	IN=220V OUT=9.8V	----	1	----	
16	S4	HI pressure switch	----	----	----	1	----	(1)
17	S5	L0 pressure switch	----	----	----	1	----	(1)
18	S6	Water flow switch	----	----	----	1	----	(1)(3)
19	S7	Communication interface board RS-485 (double Dsub-9pin connector)	----	----	----	1	YE90048501200	(1)
20		Shell RS485(SAL-700G-A-19)0	----	----	----	1	YR4.0048500000	(1)
21	X1	Terminal board	----	2.5mm ²	----	11	YE60002503200	
22		Terminal board	----	2.5mm ² PE	----	2	YE60002503400	
23		Terminal board	----	16.0mm ²	----	3	YE60001603200	
24		Terminal board	----	16.0mm ² PE	----	2	YE60001603500	
25		Terminal board	----	2.5mm ²	----	2	YE60002503200	(3)
版本 Ver.C Notes: (1)Means it's not the material inside the control box.(2) Stands for optional liquid pipe valve. (3)Stands for optional water flow switch.								
			Drawer	林栢正	Title		SIC-42W-R2	
			Designer	林栢正	Drawing NO		SIC-42W-R2-CE-230V-B-4	
			Proofread by		Electrical Components List 1		Scale	Page 4
			Checked by				Standard	Totally 5 Pages
			Modified by				Voltage	230V
			Modify date	20170110			Frequency	50Hz
			Before modification					
			After modification					
			Mark					



1		2		3		4		5		6		7		8	
NO.	Symbol	Name	Manufacturer	Type	Specification	Number	Material number	Remark							
26	X2	Terminal board	----	2.5mm ²	----	2	YE61250040000	(2)							
27		Terminal board	----	2.5mm ²	----	4	YE61250040000								
28		Terminal board	----	2.5mm ² PE	----	1	YE61253500000	(2)							
29	Y1	Solenoid valve	----	----	230V 50/60Hz	1	----	(1)							
30	Y2	Solenoid valve	----	----	230V 50/60Hz	1	----	(1)(2)							
31	M1	Pump motor	----	MID pressure pump1.5KW	230V 50Hz	1	SIC-42W-R2-P	(1)							
32	M1	Pump motor	----	HI pressure pump2.2KW	230V 50Hz	1	SIC-42W-R2-HP	(1)							
33	M2	Compressor	----	----	230V 50Hz 12.45kW	1	----	(1)							
34	EH1	Crankcase heating zone	----	----	230V 50/60Hz 4.5W	1	----	(1)							
B															
C															
D															
版本 Ver.C Notes: (1)Means it's not the material inside the control box (2) Stands for optional liquid pipe valve. (3)Stands for optional water flow switch.															
				Title		SIC-42W-R2		Drawing NO.		Scale		Page		5	
				Version		B		SIC-42W-R2-CE-230V-B-5		Standard		CE		Totally 5	
				Designer		林悟正		Approved by		Voltage		230V		Pages	
				Proofread by		林悟正		Date		Frequency		50Hz			
				Checked by		20170110									
				Modified by											
				After modification											
				Before modification											
SHINI 信易电热机械股份有限公司 Shini Plastics Technologies, Inc.															
5 6 7 8															



SIC-56W-R2-P-18kW/6.6A
 SIC-56W-R2-HP-2.4kW/8.9A
 Pump motor

P=8.41kW
 IN=29A
 Compressor2

P=8.41kW
 IN=29A
 Compressor1

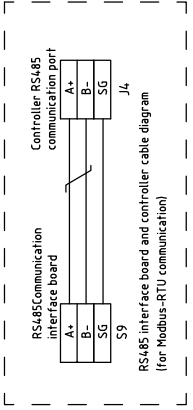
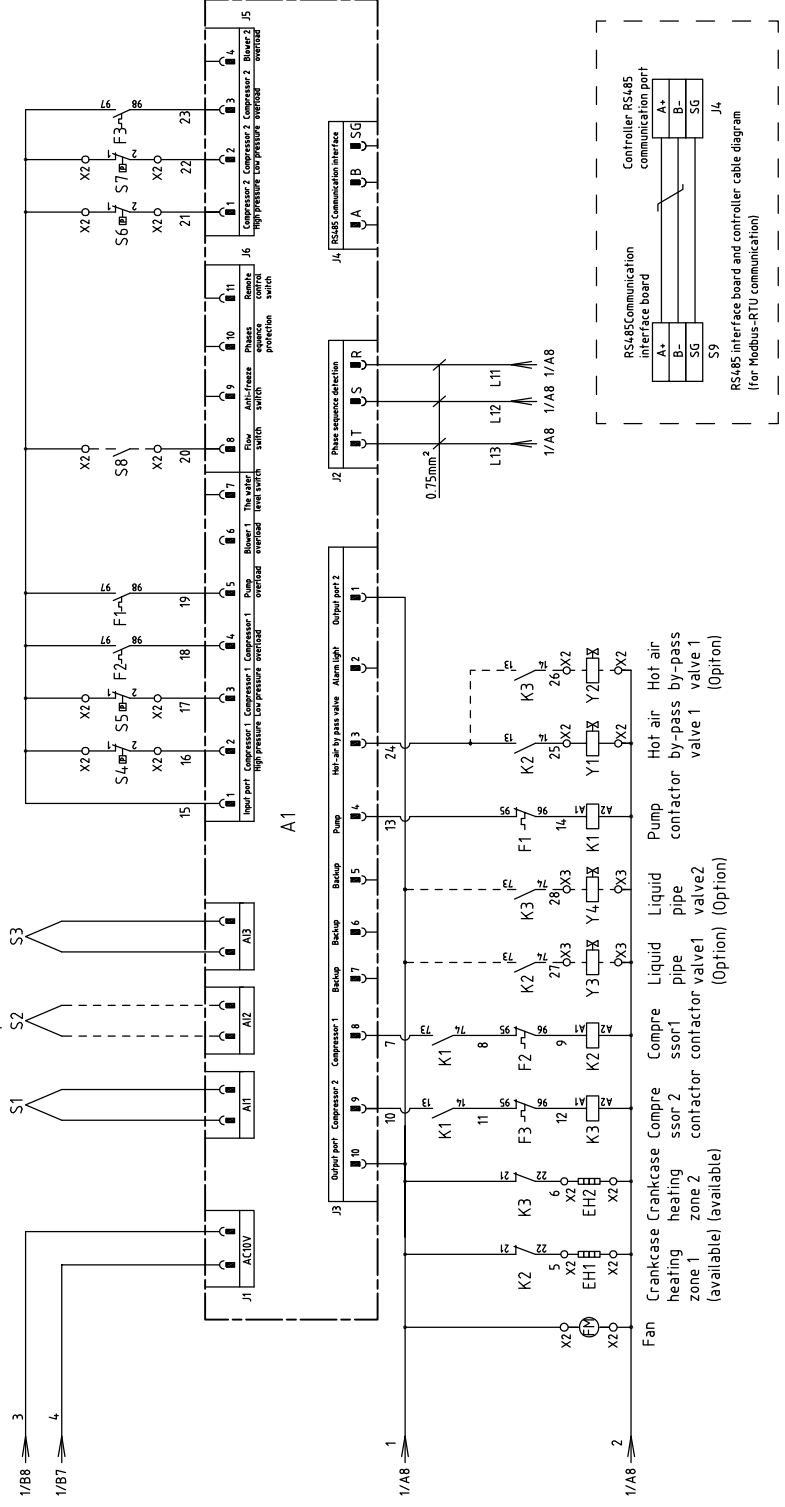
版本 Ver.B

Mark	Before modification	After modification	Modify Date	Checked by	Approved by	Version	C	Title SIC-56W-R2 Main Circuit Diagram	Drawing No. SIC-56W-R2-CE-230V-C-1	Scale	Page 1
										Standard	CE
										Voltage	230V
										Frequency	50HZ



Freezing temp. thermal resistance (Option)
 Ambient temp. thermal resistance (Option)
 Tank temp. thermal resistance (Option)

Water flow switch (Option)



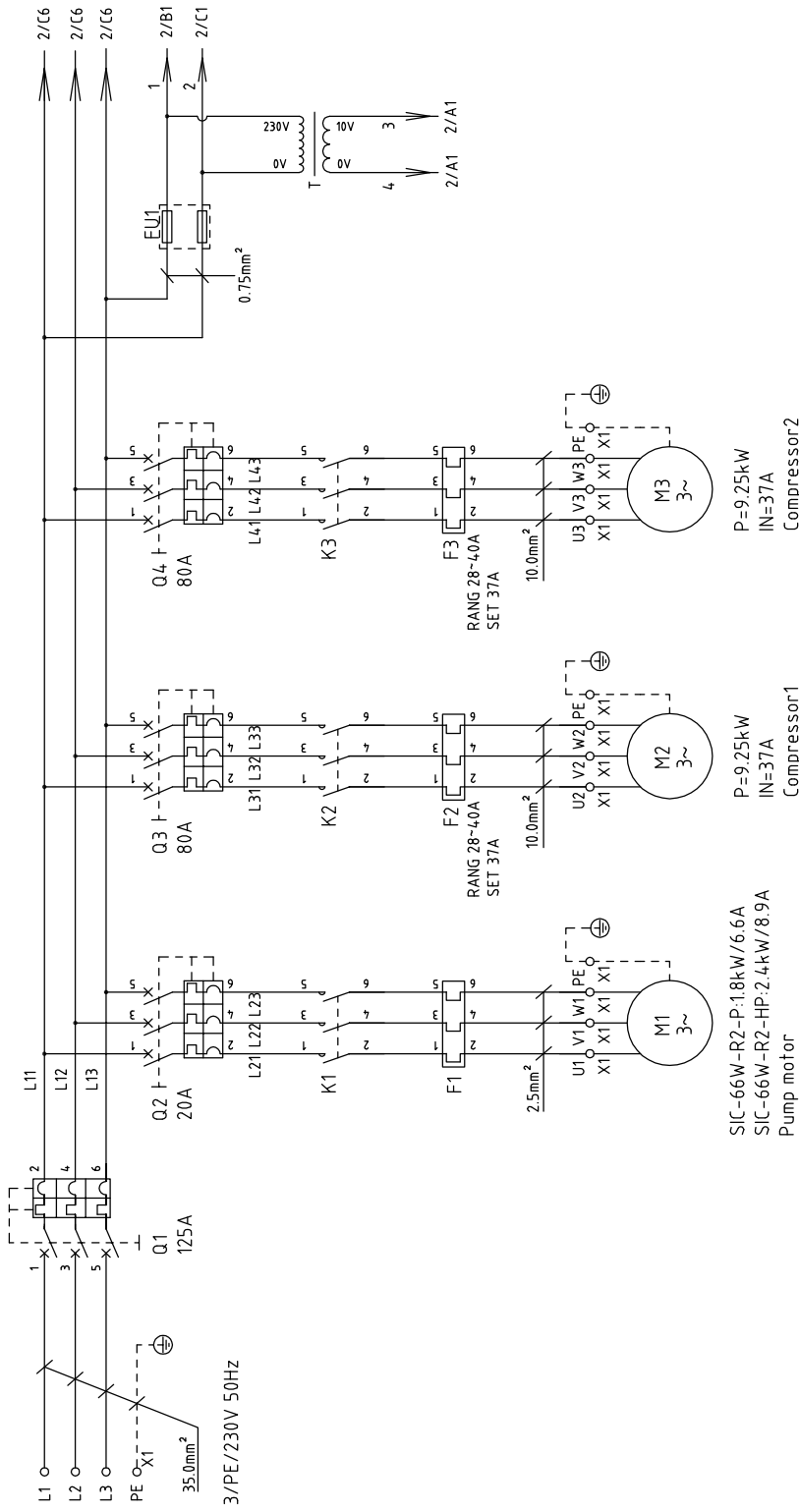
版本 Ver.B

Mark	Before modification	Modified by	Date	20170116	Checked by	Date	20170116	Proofread by	Approved by	Designer	陆家权	Version	C	Title	SIC-56W-R2	Drawing NO.	Scale	Page	2
	After modification	Modified by	Date	20170116							陆家权	Approved by	陆家权	Designer	SIC-56W-R2-CE-230V-C-2	Standard	CE	Totally	5



1	2		3	4	5	6	7	8
NO.	Symbol	Name	Manufacturer	Type	Specification	Number	Material number	Remark
1	Q1	Breaker interlock	ABB	A1A125TMF100/10003PFF	100A	1	YE4.110200000	
2	Q2	Circuit breaker	TECO	BM-63C/3020S	20A	1	YE4.0302003000	
3	Q3 Q4	Circuit breaker	TECO	BM-63C/3063S	63A	2	YE4.0306303000	A
4	K1	Contactor	SIEMENS	3RT6016-1AN21	230VAC 50/60Hz	1	YE00601621000	SIC-56W-R2-P
5	K1	Contactor	SIEMENS	3RT6017-1AN21	230VAC 50/60Hz	1	YE00601721000	SIC-56W-R2-HP
6		Auxiliary block	SIEMENS	3RH6911-1AA10	1NO	1	YE00691110000	
7	K2 K3	Contactor	SIEMENS	3RT6028-1AN20	220VAC 50/60Hz	2	YE00602822000	
8		Auxiliary block	SIEMENS	3RH6911-1AA10	1NO	2	YE00691110000	(4)
9	F1	Thermo overload relay	SIEMENS	3RU6116-1HB0	5.5-8A	1	YE01160550000	SIC-56W-R2-P
10	F1	Thermo overload relay	SIEMENS	3RU6116-1JB0	7-10A	1	YE01161700000	SIC-56W-R2-HP
11	F2 F3	Thermo overload relay	SIEMENS	3RU6126-4EB0	27-32A	2	YE01612600600	B
12	FU1	Fuse base	CHNT	RT18-32	32A 2P	1	YE4.10322000000	
13		Fuse core	MRO	10×38 500V	2A	2	YE4.6002000100	
14	A1	Controller	PUNP	SF317500A	AC 10V	1	YE80317500900	
15	S1	Anti-freezing temp. RTD	PUNP	RTD	----	1	----	
16	S3	Water tank temp. RTD	PUNP	RTD	----	1	----	
17	T	Transformer	PUNP	IN=220V OUT=9.8V	----	1	----	
18	S4 S6	HI pressure switch	----	----	----	2	----	(1)
19	S5 S7	L0 pressure switch	----	----	----	2	----	(1)
20	S8	Water flow switch	----	----	----	1	----	(1)(3)
21	S9	Communication interface board RS-485 (double Dsub-9pin connector)	----	----	----	1	YE9004.8501200	(1)
22		Shell RS485(SAL-700G-A-1910)	----	----	----	1	YR4.0048500000	(1)
23	X1	Terminal board	----	2.5mm ²	----	3	YE60002503200	
24		Terminal board	----	2.5mm ² PE	----	1	YE60002503400	
25		Terminal board	----	6.0mm ²	----	6	YE60000603200	
概本 Ver.B		Notes: (1)Means it's not the material inside the control box.(2) Stands for optional the second by-pass valve. (3)Stands for optional the second by-pass valve. (4)Stands for optional liquid pipe valve.			Title SIC-56W-R2		Drawing NO. SIC-56W-R2-CE-230V-C-4	
		Drawer	陆家权	Version	Electrical Components List 1		Scale	Page 4
		Designer	陆家权	Approved by			Standard	Totally 5 Pages
		Proofread by		Date			Voltage	230V
		Checked by		20170116			Frequency	50Hz
Mark	Before modification	Modified by	Modify date					8





SIC-66W-R2-P:1.8kW/6.6A
 SIC-66W-R2-HP:2.4kW/8.9A
 Pump motor

P=9.25kW
 IN=37A
 Compressor1

P=9.25kW
 IN=37A
 Compressor2

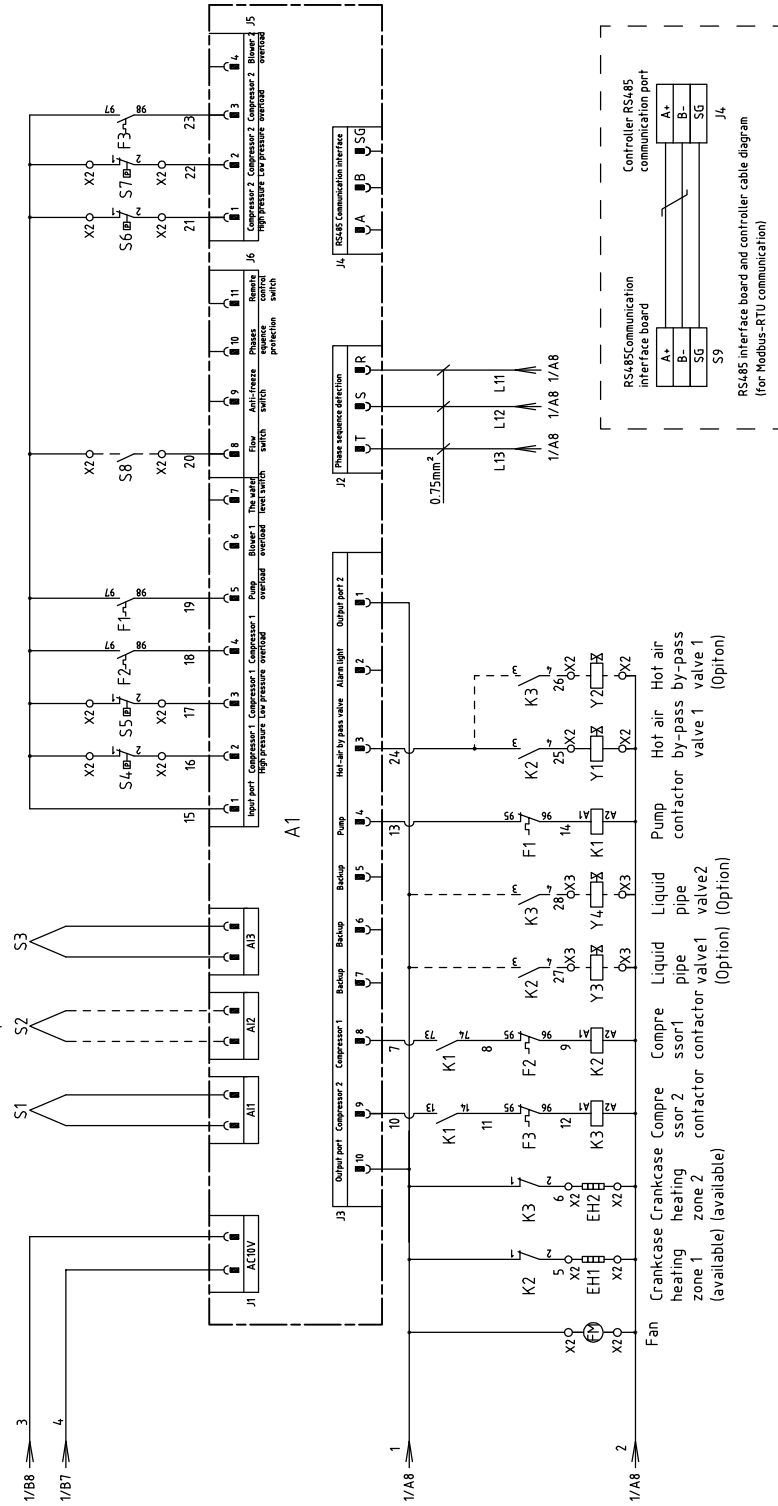
版本 Ver.B

Mark		Before modification	After modification	Modify date	Checked by	Proofread by	Designer	Drawer	陆家权	Version	C	Title	SIC-66W-R2	Drawing NO.	SIC-66W-R2-CE-230V-C-1	Scale	CE	Page 1
							陆家权					Main Circuit Diagram				Standard		Totally 5
																		Pages
																		230V
																		50Hz



Freezing temp. Ambient temp. Tank temp. thermal resistance (Option)
 thermal resistance (Option)
 resistance (Option)

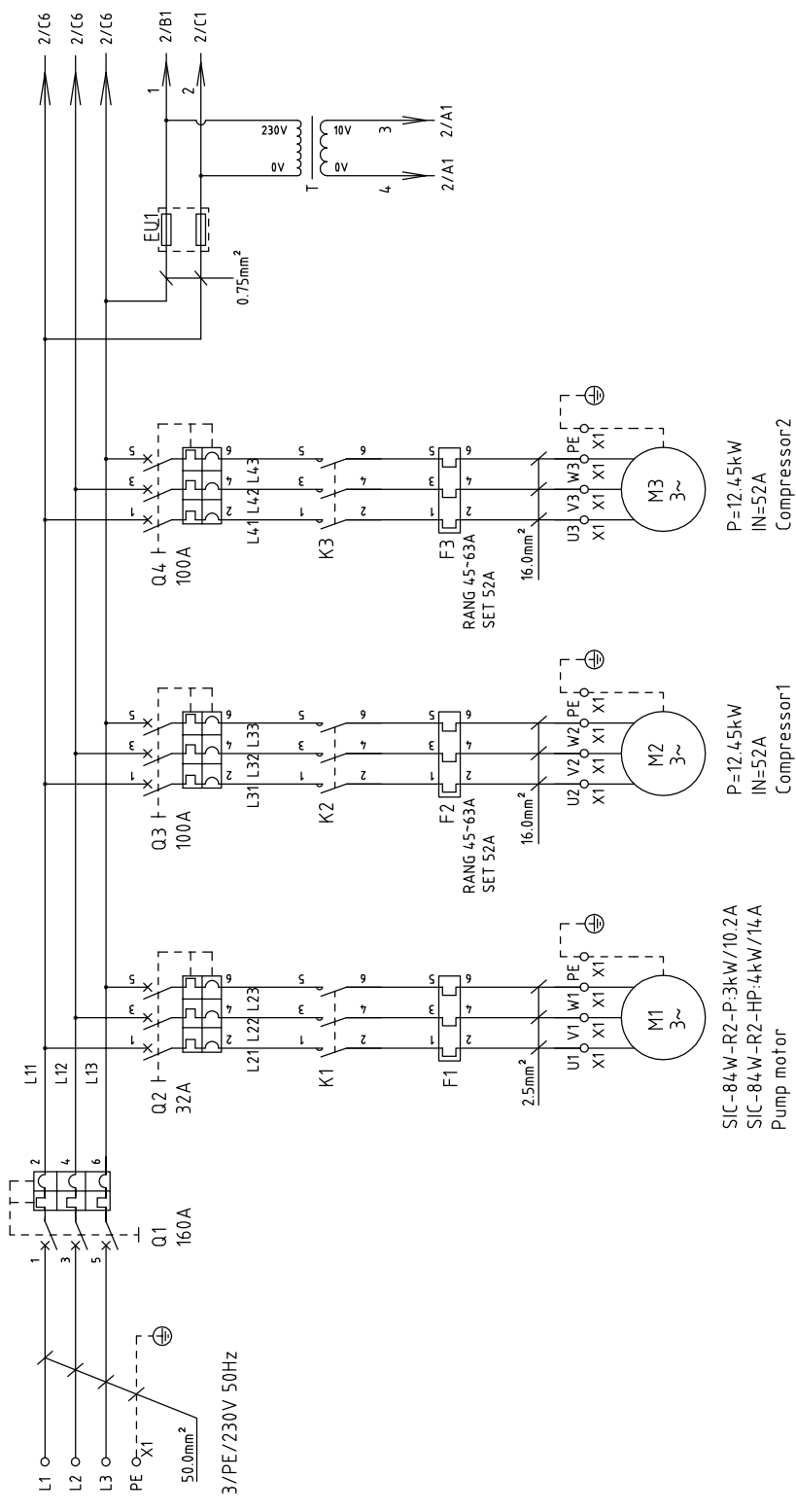
Water flow switch (Option)



版本 Ver.B

Mark	Before modification	Modified by	Modify date	Checked by	Date	20170117
Designer	陆家权	Proofread by	陆家权	Approved by		
Drawer	陆家权	Version				
Title		SIC-66W-R2		Drawing NO.		SIC-66W-R2-CE-230V-C-2
Control Circuit Diagram				Scale		Page 2
				Standard		Totally 5 Pages
				Voltage		230V
				Frequency		50HZ





SIC-84W-R2-P-3kW/10.2A
 Pump motor
 SIC-84W-R2-HP-4kW/14A
 Compressor1
 SIC-84W-R2-CE-230V-C-1
 Compressor2
 P=12.45kW
 IN=52A

版本 Ver.B

版次		Ver.B
Mark	Before modification	After modification
Modify Date		
Checked by		
Proofread by		
Designer	陆家权	陆家权
Version		
Approved by		
Date	20170118	
Title		SIC-84W-R2
Drawing No.		SIC-84W-R2-CE-230V-C-1
Scale	Standard	CE
Scale	Volume	230V
Page	Totally	5
Page	Pages	5
Frequency		50Hz

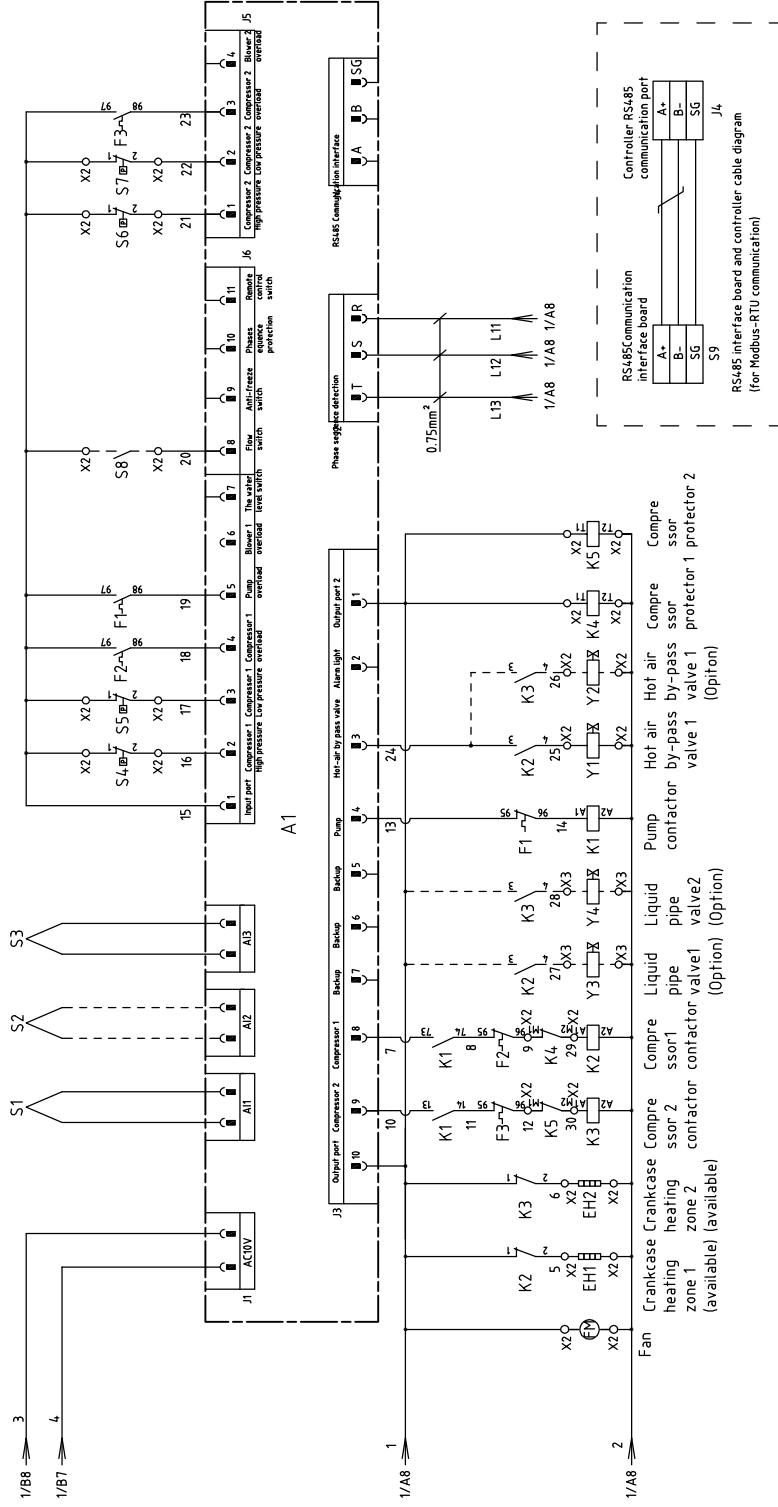


1 2 3 4 5 6 7 8

A B C D

Freezing temp. Ambient temp. Tank temp.
thermal thermal
resistance resistance
(Option) (Option)

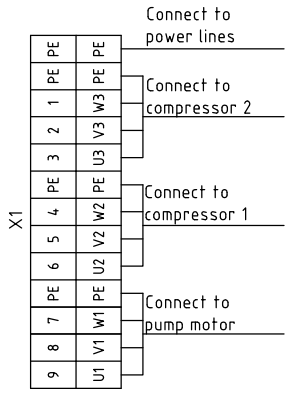
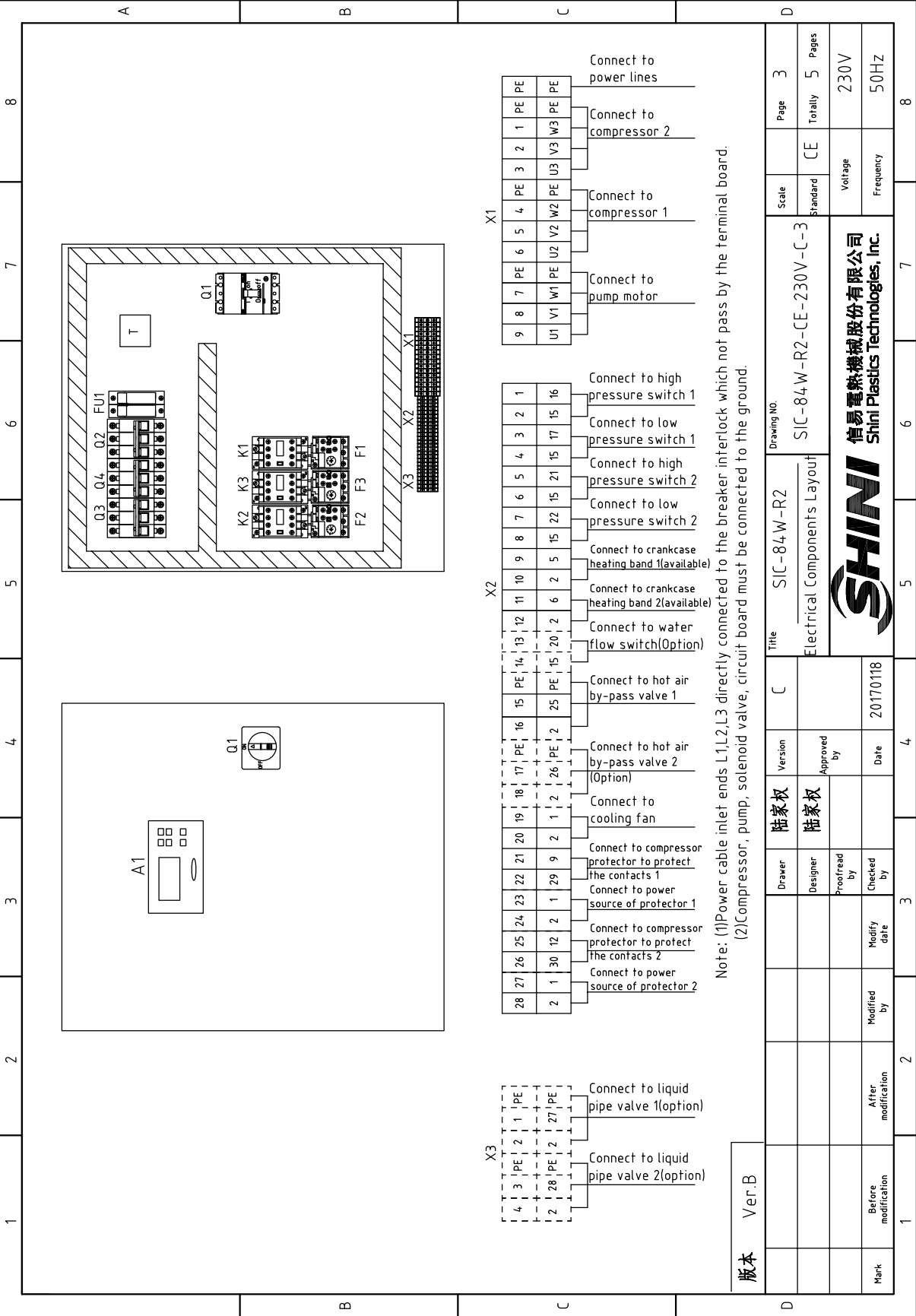
Water flow switch
(Option)



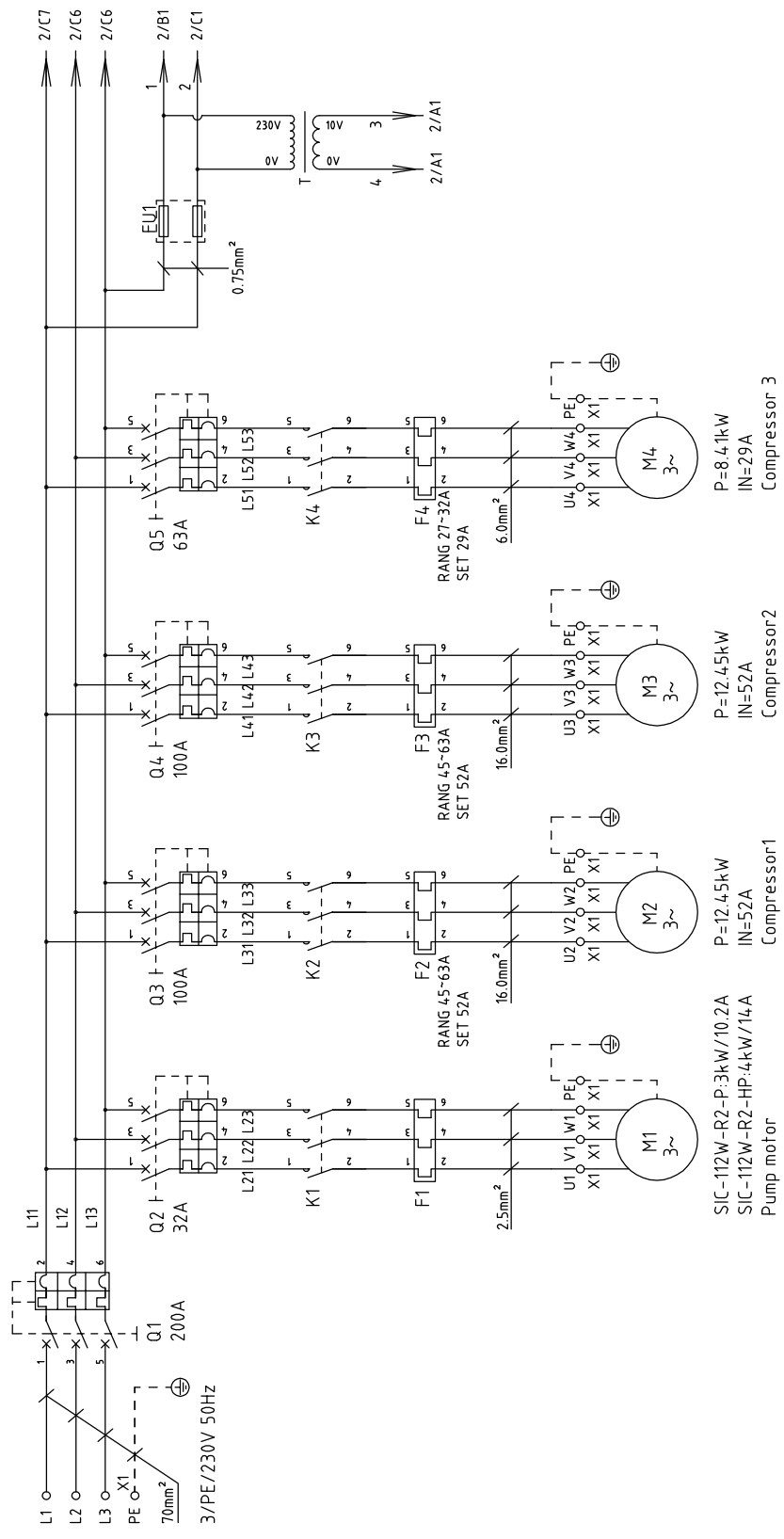
版本 Ver.B

Drawing NO.		SIC-84W-R2-CE-230V-C-2		Scale	Page 2
Title		SIC-84W-R2		Standard	Totally 5 Pages
Control Circuit Diagram		Control Circuit Diagram		Voltage	230V
Version		陆家权		Frequency	50HZ
Designer		陆家权			
Proofread by					
Checked by					
Date		20170118			
Before modification		Modified by			
Mark		Modify date			





1	2		3	4	5	6	7	8		
NO.	Symbol	Name	Manufacturer	Type	Specification	Number	Material number	Remark		
1	Q1	Breaker interlock	ABB	A2B250TMF160/16003PFF	160A	1	YE4.1161500000			
2	Q2	Circuit breaker	TECO	BM-63C/3032S	32A	1	YE4.0303203000			
3	Q3 Q4	Circuit breaker	TECO	BM-100D/30100S	100A	2	YE4.03100003000	A		
4	K1	Contactor	SIEMENS	3RT6017-1AN21	230VAC 50/60Hz	1	YE00601621000	SIC-84W-R2-P		
5	K1	Contactor	SIEMENS	3RT6025-1AN20	230VAC 50/60Hz	1	YE00602522000	SIC-84W-R2-HP		
6		Auxiliary block	SIEMENS	3RH6911-1AA10	1NO	1	YE00691110000			
7	K2 K3	Contactor	SIEMENS	3RT5044-1AN20	230VAC 50/60Hz	2	YE005044.000000			
8		Auxiliary block	SIEMENS	3RH5921-1CA01	1NC	2	YE00592110100			
9		Auxiliary block	SIEMENS	3RH5921-1CA10	1NO	1	YE00592110000			
10		Auxiliary block	SIEMENS	3RH5921-1CA10	1NO	1	YE00592110000	(2)		
11		Auxiliary block	SIEMENS	3RH5921-1CA10	1NO	2	YE00592110000	(4)		
12	F1	Thermo overload relay	SIEMENS	3RU6116-1KB0	9-12.5A	1	YE01169125000	SIC-84W-R2-P		
13	F1	Thermo overload relay	SIEMENS	3RU6126-4AB0	11-16A	1	YE01260110000	SIC-84W-R2-HP		
14	F2 F3	Thermo overload relay	SIEMENS	3RU5146-4JB0	4.5-63A	2	YE0151464.00000			
15	FU1	Fuse base	CHNT	RT18-32	32A 2P	1	YE4.10322000000			
16		Fuse core	MRO	10×38 500V	2A	2	YE4.6002000100			
17	A1	Controller	PUNP	SF317500A	AC 10V	1	YE80317500900			
18	S1	Anti-freezing temp. RTD	PUNP	RTD	----	1	----			
19	S3	Water tank temp. RTD	PUNP	RTD	----	1	----			
20	T	Transformer	PUNP	IN=220V OUT=9.8V	----	1	----			
21	S4 S6	Hi pressure switch	----	----	----	2	----	(1)		
22	S5 S7	L0 pressure switch	----	----	----	2	----	(1)		
23	S8	Water flow switch	----	----	----	1	----	(1)(3)		
24	S9	Communication interface board RS-485 (double D-sub-5pin connector)	----	----	----	1	YE9004.8501200	(1)		
25		Shell RS485(SAL-700G-A-19)0	----	----	----	1	YR4.004.8500000	(1)		
Ver.B		Notes: (1)Means it's not the material inside the control box.(2) Stands for optional the second by-pass valve. (3)Stands for optional water flow switch.(4)Stands for optional liquid pipe valve.			Title		Scale		Page	
		Drawer		Version	C	SIC-84W-R2	SIC-84W-R2-CE-230V-C-4	CE	4	4
		Designer		Approved by	Electrical Components List 1	Electrical Components List 1	Voltage	Frequency	230V	50Hz
		Proofread by		Date	20170118	SHINI	Shini Plastics Technologies, Inc.	Voltage	230V	50Hz
		Modified by		Modify date		SHINI	Shini Plastics Technologies, Inc.	Frequency	50Hz	50Hz
Mark		Before modification	After modification	Modified by	Modify date	20170118	SHINI	Shini Plastics Technologies, Inc.	Voltage	230V
1	2	3	4	5	6	7	8	9	10	11



版本 Ver.B

Mark	Before modification	Modified by	Modify date	Date	20170119	Version	C	Title	SIC-112W-R2 Main Circuit Diagram	Drawing NO.	SIC-112W-R2-CE-230V-C-1	Scale	Page
	After modification	Modified by	Modify date									Standard	Totally
												Voltage	230V
												Frequency	50Hz

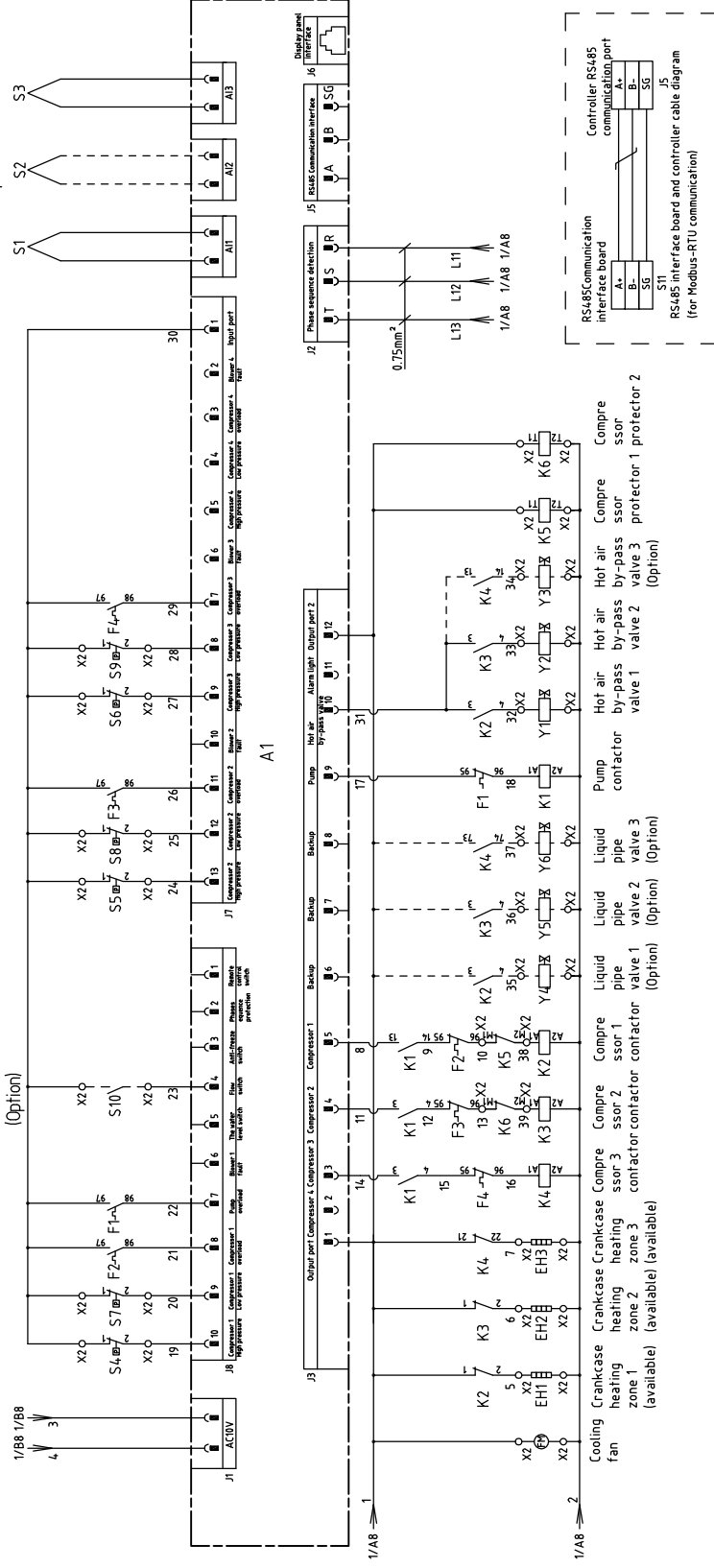


1 2 3 4 5 6 7 8

A B C D

Freezing temp. thermal resistance
Ambient temp. thermal resistance
Tank temp. thermal resistance
(Option)

Water flow switch
(Option)



版本 Ver.B

Mark	Before modification	Modified by	20170119	Date	20170119	Checked by	陆家权	Proofread by	陆家权	Approved by	Version	C	Title	SIC-112W-R2		Drawing NO.	SIC-112W-R2-CE-230V-C-2		Scale	Page 2	Totally 6	Pages
	After modification	Modified by	20170119									陆家权		陆家权	CE		Voltage 230V	Frequency 50HZ				
1	2	3	4	5	6	7	8	<p style="text-align: center;">SHINI 信易电热机械股份有限公司 Shini Plastics Technologies, Inc.</p>														

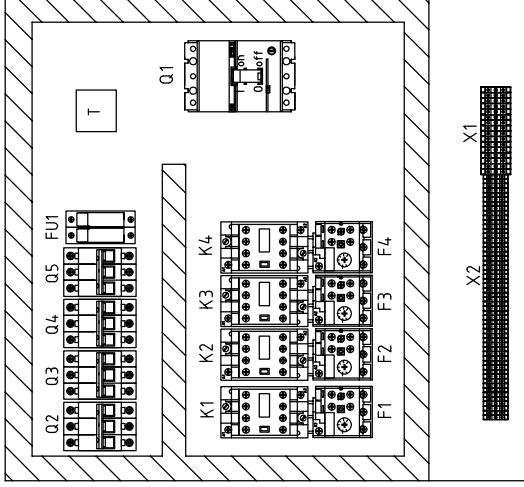
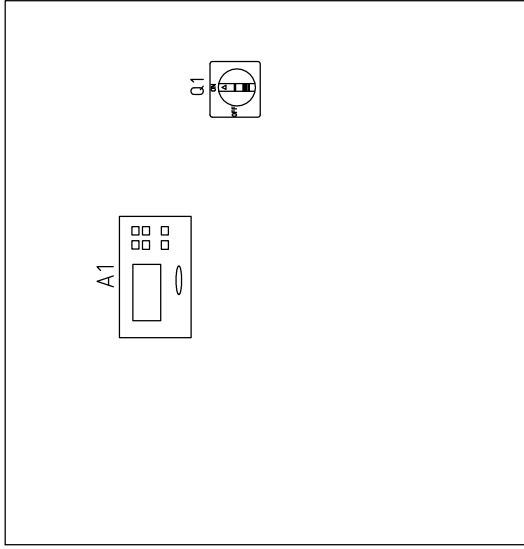
1 2 3 4 5 6 7 8

A

B

C

D



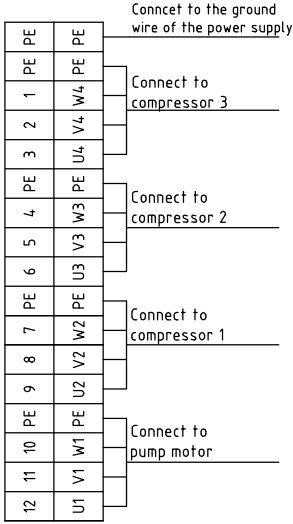
版本 Ver.B

Mark	Before modification	Modified by	Modify date	Checked by	Date	Proofread by	Designer	Version	Title	Drawing NO.	Scale	Page
					20170119			陆家权	SIC-112W-R2	SIC-112W-R2-CE-230V-C-3	Standard	3
	After modification							陆家权	Electrical Components Layout		CE	Totally 6
											Voltage	Pages
											Frequency	230V
												50HZ
1	2	3	4	5	6	7	8					

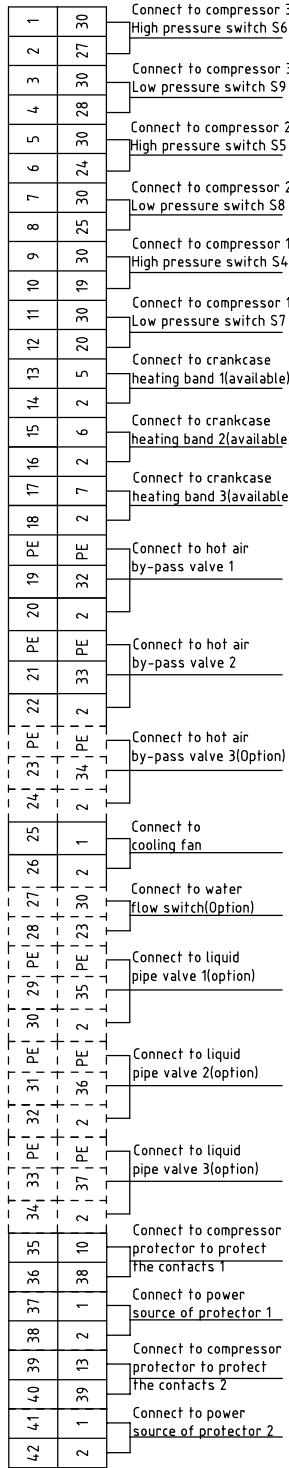
SHINI 信易塑料机械股份有限公司
Shini Plastics Technologies, Inc.

1 2 3 4 5 6 7 8

X1



X2

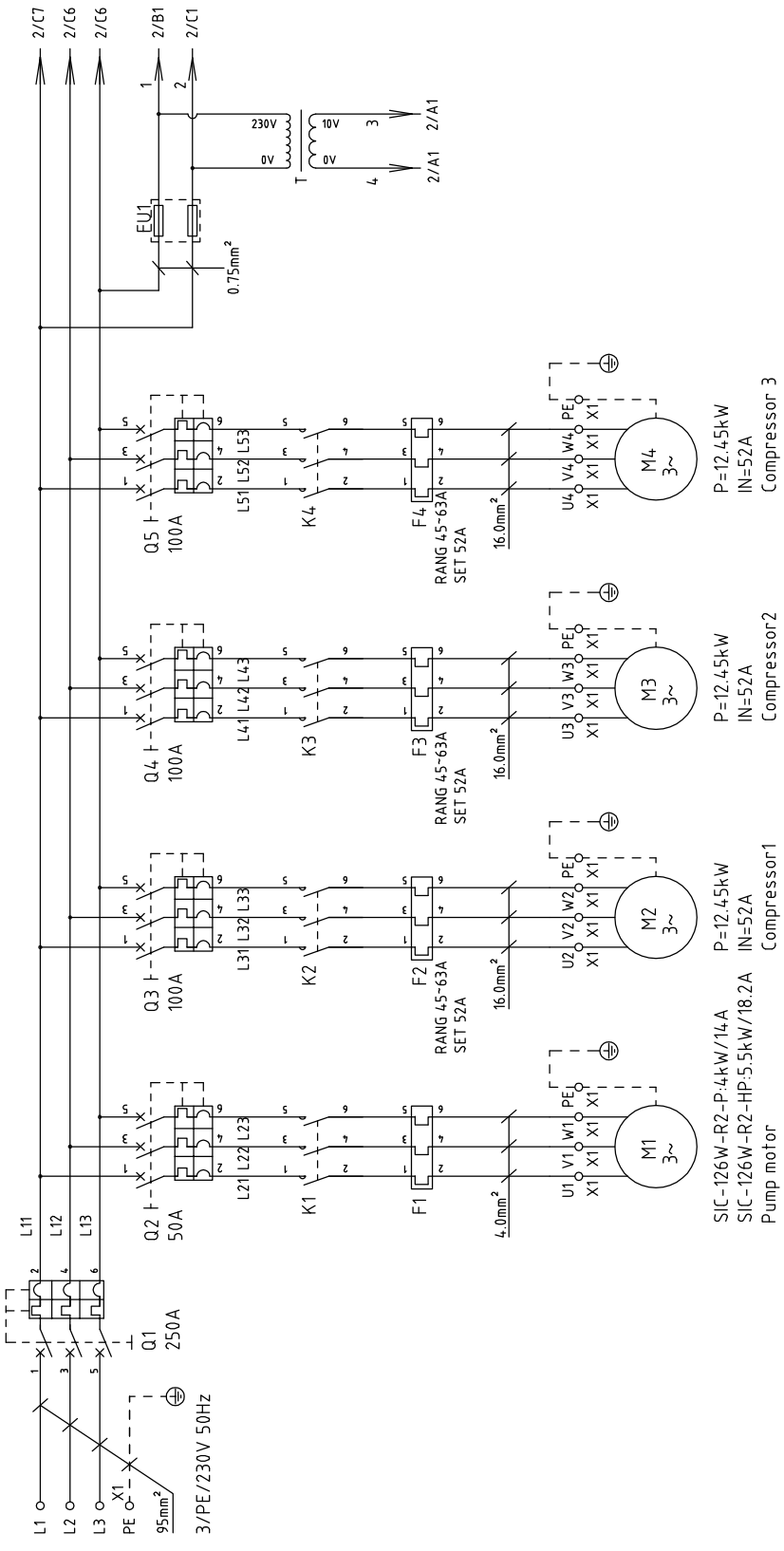


Note: (1)Power cable inlet ends L1,L2,L3 directly connected to the breaker interlock which not pass by the terminal board.
 (2)Compressor, pump, solenoid valve, circuit board must be connected to the ground.

版本 Ver.B

D		C		B		A	
Mark	Before modification	Modified by	Modify date	Checked by	Date	Approved by	Version
					20170119	陆家权	C
Title		Drawing NO.		Scale		Page	
Terminal Connection Diagram		SIC-112W-R2		Standard		Page	
		SIC-112W-R2-CE-230V-C-4		CE		Totally 6	
				Voltage		230V	
				Frequency		50HZ	
SHINI		信易塑料机械股份有限公司		Shini Plastics Technologies, Inc.			
1		2		3		4	
5		6		7		8	

1	2		3	4	5	6	7	8	
NO.	Symbol	Name	Manufacturer	Type	Specification	Number	Material number	Remark	
26	S10	Water flow switch	----	----	----	1	----	(1)(3)	
27	S11	Communication interface board RS-485 (double Dsub-9pin connector)	----	----	----	1	YE90048501200	(1)	
28		Shell RS485(SAL-700G-A-19)0	----	----	----	1	YR40048500000	(1)	
29	X1	Terminal board	----	2.5mm ²	----	3	YE60002503200		
30		Terminal board	----	2.5mm ² PE	----	1	YE60002503400		
31		Terminal board	----	6.0mm ²	----	3	YE60000603200		
32		Terminal board	----	6.0mm ² PE	----	1	YE60000603500		
33		Terminal board	----	16.0mm ²	----	6	YE60001603200		
34		Terminal board	----	16.0mm ² PE	----	2	YE60001603500		
35		Terminal board	----	35mm ² PE	----	1	YE60003503500		
36	X2	Terminal board	----	2.5mm ²	----	32	YE60002503200		
37		Terminal board	----	2.5mm ² PE	----	2	YE60002503400		
38		Terminal board	----	2.5mm ²	----	2	YE60002503200	(2)	
39		Terminal board	----	2.5mm ² PE	----	1	YE60002503400	(2)	
40		Terminal board	----	2.5mm ²	----	2	YE60002503200	(3)	
41		Terminal board	----	2.5mm ²	----	6	YE60002503200	(4)	
42		Terminal board	----	2.5mm ² PE	----	3	YE60002503400	(4)	
43	Y1 Y2	Solenoid valve	----	----	230VAC 50/60HZ	2	----	(1)	
44	Y3	Solenoid valve	----	----	230VAC 50/60HZ	1	----	(1)(2)	
45	Y4 Y5 Y6	Solenoid valve	----	----	230VAC 50/60HZ	3	----	(1)(4)	
46	M1	Pump motor	----	----	230V 50/60HZ 3KW	1	---- SIC-112W-R2-P	(1)	
47	M1	Pump motor	----	----	230V 50/60HZ 4KW	1	---- SIC-112W-R2-HP	(1)	
48	M2 M3 M4	Compressor	----	----	230V 50/60HZ	3	----	(1)	
49	EH1 EH2 EH3	Crankcase heating zone	----	----	230V 50/60HZ 4.5W	3	----	(1)	
50	FM	Fan	----	----	230V 50/60HZ	1	----	(1)	
版本 Ver.B		Notes: (1)Means it's not the material inside the control box.(2)Stands for optional the third by-pass valve.(3)Stands for optional water flow switch.(4)Stands for optional liquid pipe valve.							
D		Title		Drawing NO.		Scale		Page	
		SIC-112W-R2		SIC-112W-R2		CE		6	
		Electrical Components List 2		SIC-112W-R2-CE-230V-C-6		CE		6	
		陆家权		陆家权		Voltage		230V	
		陆家权		陆家权		Frequency		50HZ	
Mark		Before modification		Modified by		Modify date		20170119	
1		2		3		4		5	
		SHINI		信易塑料机械股份有限公司		Shini Plastics Technologies, Inc.		8	



版本 Ver.B

Mark	Before modification	After modification	Modify Date	Checked by	20170120	Date	20170120
			Proofread by	Approved by	陆家权	Version	C
			Designer	陆家权	陆家权	Version	C

Title		SIC-126W-R2	
Main Circuit Diagram		Main Circuit Diagram	
Drawing NO.		SIC-126W-R2-CE-230V-C-1	

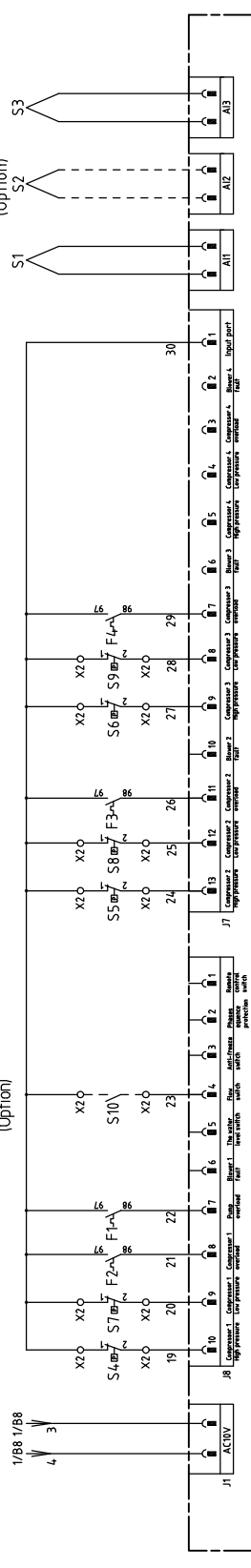


Scale	CE	Page	1
Standard	CE	Totally	6
Pages		Pages	
Voltage	230V		
Frequency	50HZ		

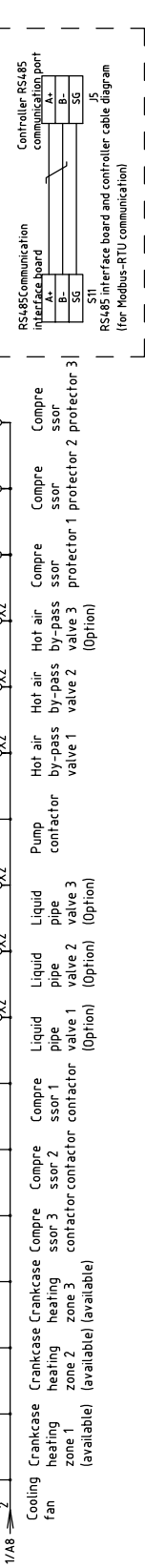
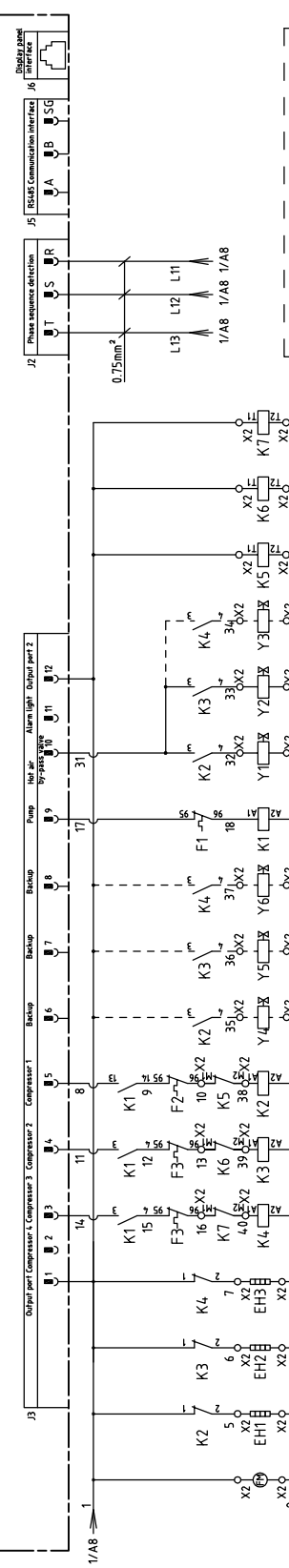
Freezing temp. thermal resistance (Option)
 Ambient temp. thermal resistance
 Tank temp. thermal resistance

S1
 S2
 S3

Water flow switch (Option)



A1



版本 Ver.B

D	Title	SIC-126W-R2		Drawing NO.	SIC-126W-R2-CE-230V-C-2		Scale	Page	2
		Control Circuit Diagram		SIC-126W-R2-CE-230V-C-2		Standard	CE	Totally	6
C	Version	陆家权		Approved by	陆家权		Voltage	230V	
		陆家权			陆家权		Frequency	50Hz	
B	Designer	陆家权		Checked by	陆家权		Before modification	After modification	
		陆家权			陆家权		Modify date	20170120	
A	Mark	陆家权		Date	20170120		Before modification	After modification	
		陆家权			20170120		Modify date	20170120	



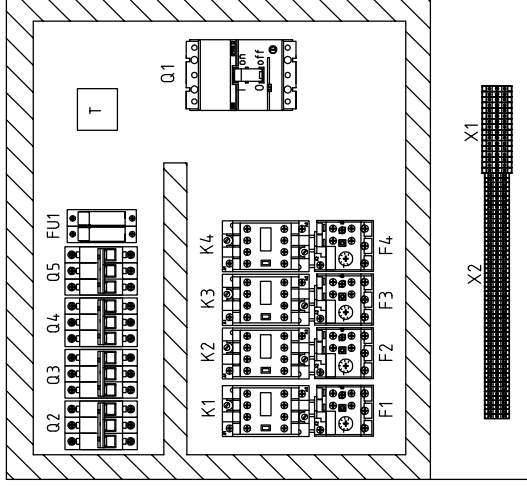
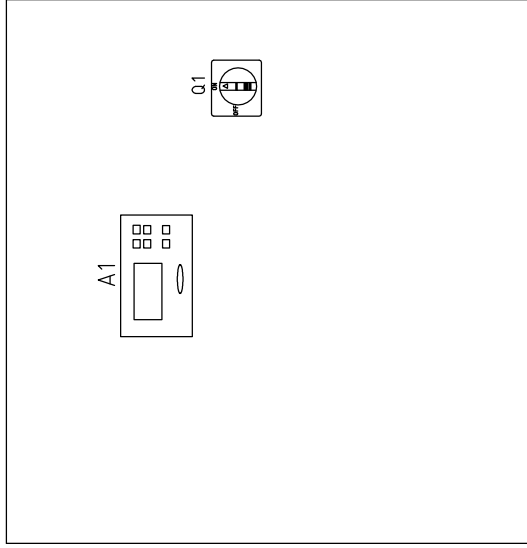
1 2 3 4 5 6 7 8

A

B

C

D



版本

Ver.B

Mark	Before modification	After modification	Modified by	Modify date	Checked by	Proofread by	Designer	Drawer	Version	C	Title	Scale		Page
							陆家权	陆家权	陆家权	Approved by	SIC-126W-R2	SIC-126W-R2	CE	3
				20170120							Electrical Components Layout	Standard	CE	Totally 6
											Drawing NO.	Voltage	230V	Pages
											SIC-126W-R2-CE-230V-C-3	Frequency	50HZ	6

SHINI
信易塑胶机械股份有限公司
Shini Plastics Technologies, Inc.

1

2

3

4

5

6

7

8

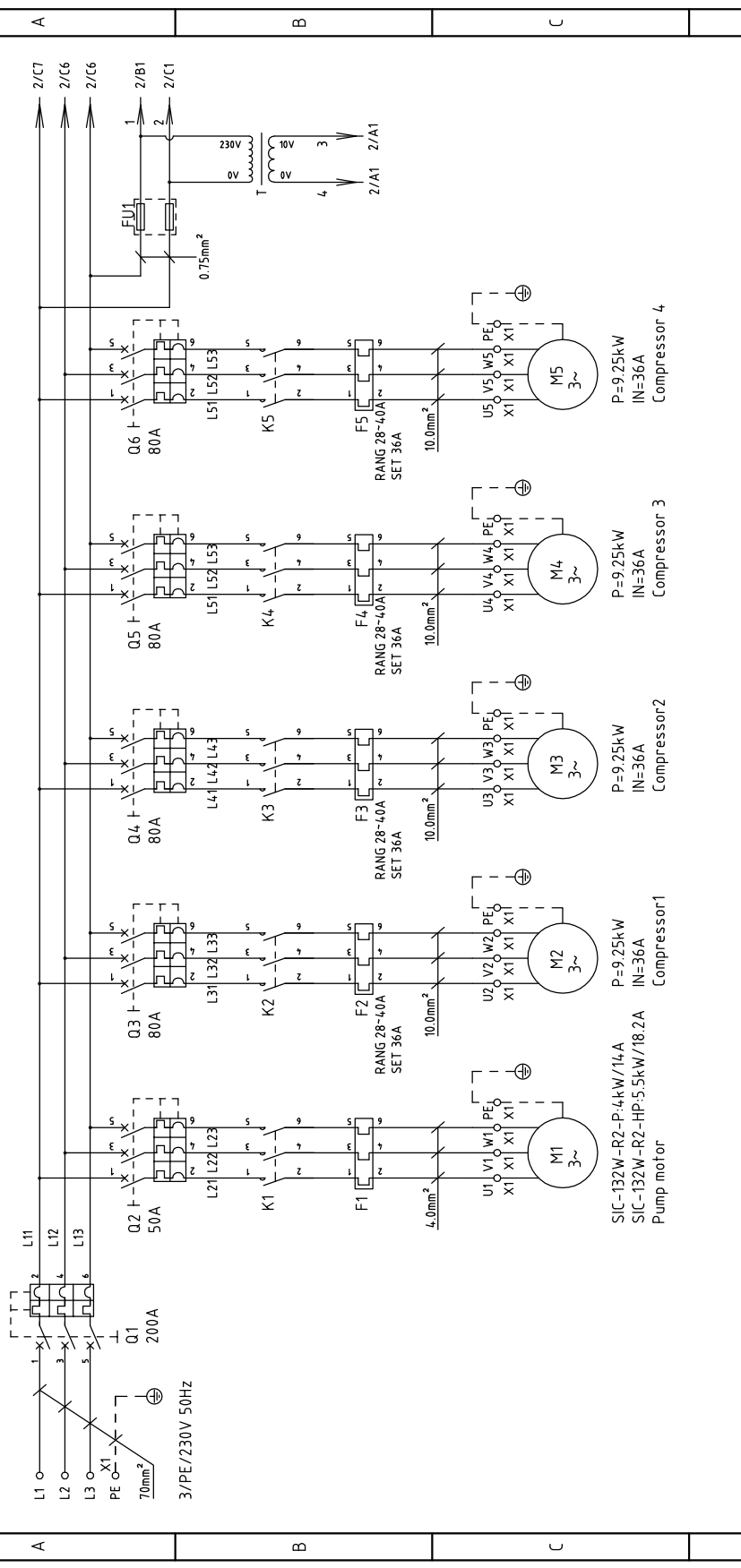
B

C

D

1	2		3	4	5	6	7	8	
NO.	Symbol	Name	Manufacturer	Type	Specification	Number	Material number	Remark	
1	Q1	Breaker interlock	ABB	A2B250TMF250/25003PFF	250A	1	YE41252800000		
2	Q2	Circuit breaker	TECO	BM-63C/3050S	50A	1	YE40305003000		
3	Q3 Q4 Q5	Circuit breaker	TECO	BM-1000/30100S	100A	3	YE403100003000	A	
4	K1	Contactor	SIEMENS	3RT6025-1AN20	230VAC 50/60Hz	1	YE00602522000	SIC-126W-R2-P	
5	K1	Contactor	SIEMENS	3RT6026-1AN20	230VAC 50/60Hz	1	YE00602622000	SIC-126W-R2-HP	
6		Auxiliary block	SIEMENS	3RH6911-1HA22	2NO+2NC	1	YE00691100000		
7	K2 K3 K4	Contactor	SIEMENS	3RT5044-1AN20	230VAC 50/60Hz	3	YE00504400000		
8		Auxiliary block	SIEMENS	3RH5921-1CA01	1NC	3	YE00592110100		
9		Auxiliary block	SIEMENS	3RH5921-1CA10	1NO	2	YE00592110000		
10		Auxiliary block	SIEMENS	3RH5921-1CA10	1NO	1	YE00592110000	(2)	
11		Auxiliary block	SIEMENS	3RH5921-1CA10	1NO	3	YE00592110000	(4)	
12	A1	Controller	PUNP	SF3T7502A	AC 10V	1	YE80317500800	B	
13	S1	Anti-freezing temp. RTD	PUNP	RTD	----	1	----		
14	S3	Water tank temp. RTD	PUNP	RTD	----	1	----		
15	T	Transformer	PUNP	IN=220V OUT=9.8V	----	1	----		
16	FU1	Fuse base	CHNT	RT18-32	32A 2P	1	YE41032200000		
17		Fuse core	MRO	10×38 500V	2A	2	YE46002000100		
18	F1	Thermo overload relay	SIEMENS	3RU6126-4AB0	11-16A	1	YE01260110000	SIC-126W-R2-P	
19	F1	Thermo overload relay	SIEMENS	3RU6126-4BB0	14-20A	1	YE01260140000	SIC-126W-R2-HP	
20	F2 F3 F4	Thermo overload relay	SIEMENS	3RU5146-4JB0	45-63A	3	YE01514640000		
21	S4 S5 S6	Hi pressure switch	----	----	----	3	----	(1)	
22	S7 S8 S9	L0 pressure switch	----	----	----	3	----	(1)	
23	S10	Water flow switch	----	----	----	1	----	(1)(3)	
24	S11	Communication interface board RS-485 (double Dsub-9pin connector)	----	----	----	1	YE90048501200	(1)	
25		Shell RS485(SAL-700G-A-1910)	----	----	----	1	YR40048500000	(1)	
版本		Ver.B	Notes: (1)Means it's not the material inside the control box.(2) Stands for optional the third by-pass valve. (3)Stands for optional water flow switch.(4)Stands for optional liquid pipe valve.						
			Drawer	Version	Title		Scale	Page	
			陆家权	C	SIC-126W-R2		CE	5	
			Designer	Approved by	Electrical Components List 1		Standard	Totally	
			陆家权		SIC-126W-R2-CE-230V-C-5		CE	6	
			Proofread by	Date			Voltage	Pages	
				201710120			230V		
			Checked by				Frequency		
			Modify date				50Hz		
Mark		Before modification	After modification						
1	2	3	4	5	6	7	8		

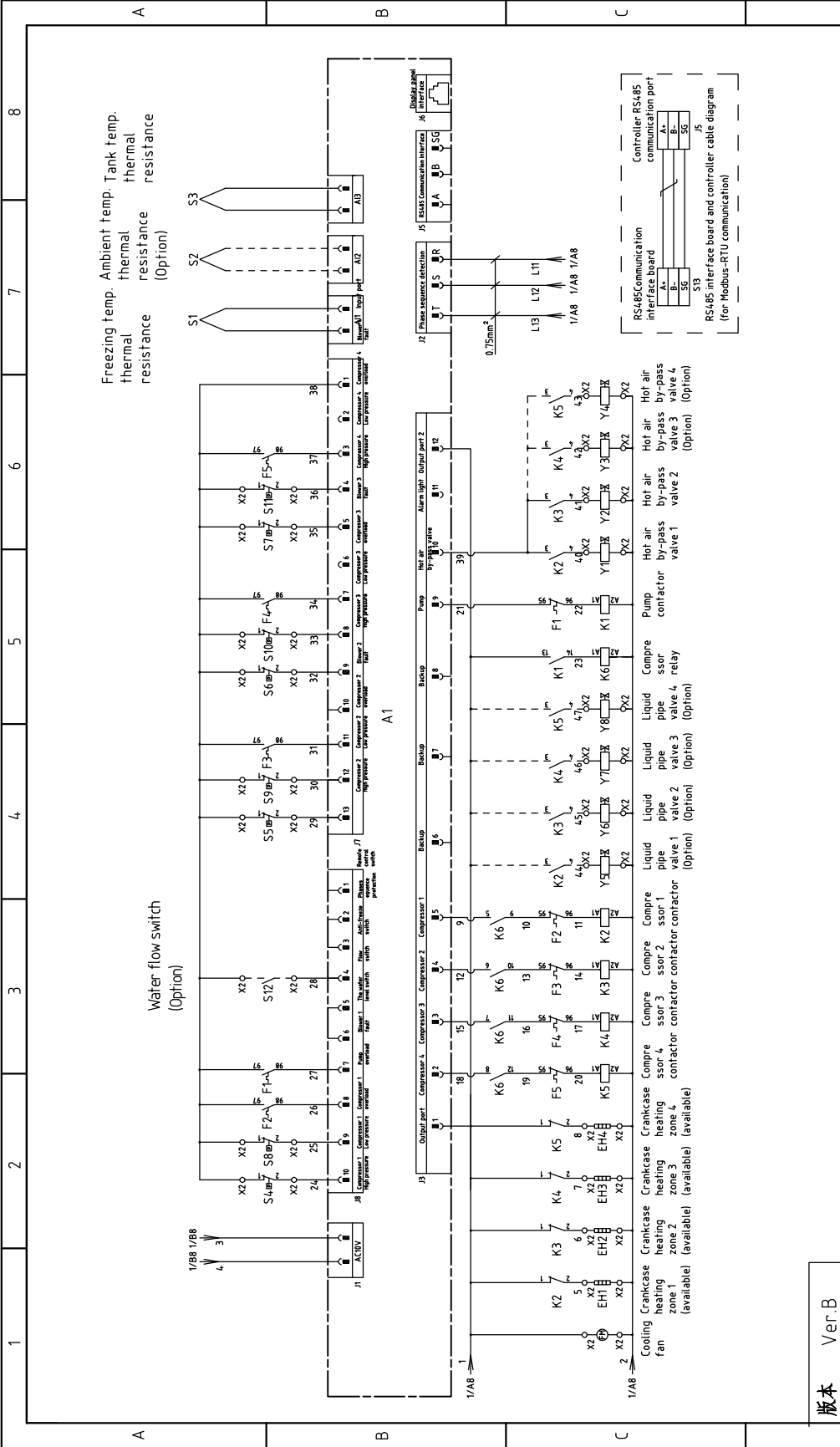




版本 Ver.B

Mark	Before modification	After modification	Modify Date	Checked by	Approved by	Version	C	Title	SIC-132W-R2 Main Circuit Diagram	Drawing NO.	Scale	Page 1
											Standard	Totally 6
											CE	Pages
												230V
												50Hz
1	2	3	4	5	6	7	8					

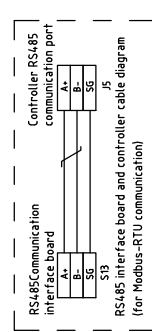




Freezing temp. thermal resistance (Option)
 Ambient temp. thermal resistance (Option)
 Tank temp. thermal resistance (Option)

Water flow switch (Option)

A1



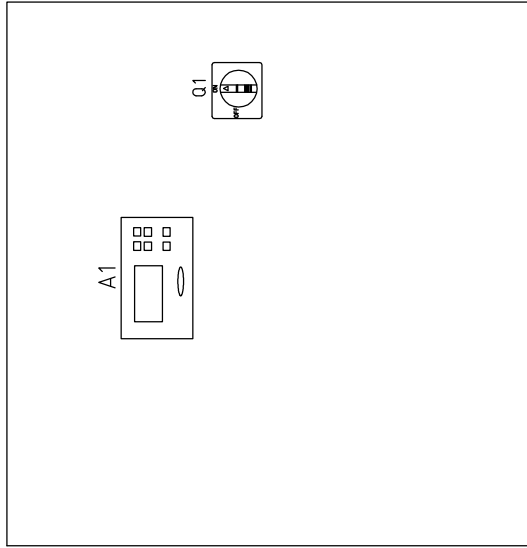
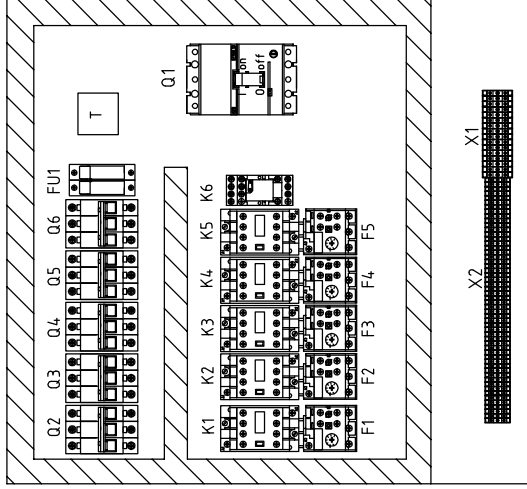
版本 Ver.B

Drawing NO.		SIC-132W-R2		Page 2	
Title		Control Circuit Diagram		Scale	
Version		C		Standard	
Drawer		陆家权		CE	
Designer		陆家权		Voltage	
Proofread by				230V	
Checked by		20170123		Frequency	
Modified by				50Hz	
Mark				Totally 6 Pages	
				230V	
				50Hz	



1 2 3 4 5 6 7 8

A B C D



版本 Ver.B

Mark	Before modification	Modified by	Modify date	Checked by	Proofread by	Designer	Drawer	Version	C	Title		Scale	Page
								陆家权		SIC-132W-R2	SIC-132W-R2	Standard	3
Electrical Components Layout										Drawing No.		Totally	
										SIC-132W-R2-CE-230V-C-3		6	
										Voltage		230V	
										Frequency		50Hz	

SHINI 信易塑料机械股份有限公司
Shini Plastics Technologies, Inc.

1 2 3 4 5 6 7 8

B C D

1	2		3	4	5	6	7	8	
NO.	Symbol	Name	Manufacturer	Type	Specification	Number	Material number	Remark	
1	Q1	Breaker interlock	ABB	A2B250TMF200/20003PFF	200A	1	YE41252200000		
2	Q2	Circuit breaker	TECO	BM-63C/3050S	50A	1	YE40305003000		
3	Q3 Q4 Q5 Q6	Circuit breaker	TECO	BM-100D/3080S	80A	4	YE40308003000	A	
4	K1	Contactor	SIEMENS	3RT6025-1AN20	230VAC 50/60Hz	1	YE00602522000	SIC-132W-R2-P	
5	K1	Contactor	SIEMENS	3RT6026-1AN20	230VAC 50/60Hz	1	YE00602622000	SIC-132W-R2-HP	
6	K2 K3 K4 K5	Contactor	SIEMENS	3RT5036-1AN20	230VAC 50/60Hz	4	YE00503600000		
7		Auxiliary block	SIEMENS	3RH5921-1CA01	1NC	4	YE00592110100		
8		Auxiliary block	SIEMENS	3RH5921-1CA10	1NO	2	YE00592110000		
9		Auxiliary block	SIEMENS	3RH5921-1CA10	1NO	2	YE00592110000	(2)	
10		Auxiliary block	SIEMENS	3RH5921-1CA10	1NO	4	YE00592110000	(4)	
11	K6	Middle relay	WEIDEMILE	DRM570730LT FS4CO	230VAC 50/60HZ	1	YE03570700000	B	
12	A1	Controller	PUNP	SF3T7502A	AC 10V	1	YE80317500800		
13	S1	Anti-freezing temp. RTD	PUNP	RTD	----	1	----		
14	S3	Water tank temp. RTD	PUNP	RTD	----	1	----		
15	T	Transformer	PUNP	IN=220V OUT=9.8V	----	1	----		
16	FU1	Fuse base	CHNT	RT18-32	32A 2P	1	YE41032200000		
17		Fuse core	MRO	10×38 500V	2A	2	YE46002000100		
18	F1	Thermo overload relay	SIEMENS	3RU6126-4AB0	11-16A	1	YE01260110000	SIC-132W-R2-P	
19	F1	Thermo overload relay	SIEMENS	3RU6126-4BB0	14-20A	1	YE01260140000	SIC-132W-R2-HP	
20	F2 F3 F4 F5	Thermo overload relay	SIEMENS	3RU5136-4FB0	28-40A	4	YE01513600100		
21	S4 S5 S6 S7	HI pressure switch	----	----	----	4	----	(1)	
22	S8 S9 S10 S11	L0 pressure switch	----	----	----	4	----	(1)	
23	S12	Water flow switch	----	----	----	1	----	(1)(3)	
24	S13	Communication interface board RS-485 (double D-sub-9pin connector)	----	----	----	1	YE90048501200	(1)	
25		Shell RS485(SAL-700G-A-1910)	----	----	----	1	YR40048500000	(1)	
版本		Ver.B	Notes: (1)Means it's not the material inside the control box.(2) Stands for optional the third and the fourth by-pass valve. (3)Stands for optional water flow switch.(4)Stands for optional liquid pipe valve						
			Drawer	Version	Title		Scale		
			陆家权	C	SIC-132W-R2		Page 5		
			Designer	Approved by	Electrical Components List 1		Standard		
			陆家权		SIC-132W-R2-CE-230V-C-5		CE		
			Proofread by	Date			Voltage		
				20170123			230V		
			Checked by				Frequency		
			Modify date				50Hz		
Mark		Before modification	After modification						
1	2		3	4	5	6	7	8	



