

SIC-7.5A-R2: 0.75kW/16A
 SIC-7.5A-R2-P: 0.75kW/1.7A
 SIC-7.5A-R2-HP: 1.1kW/2.4A
 Pump motor

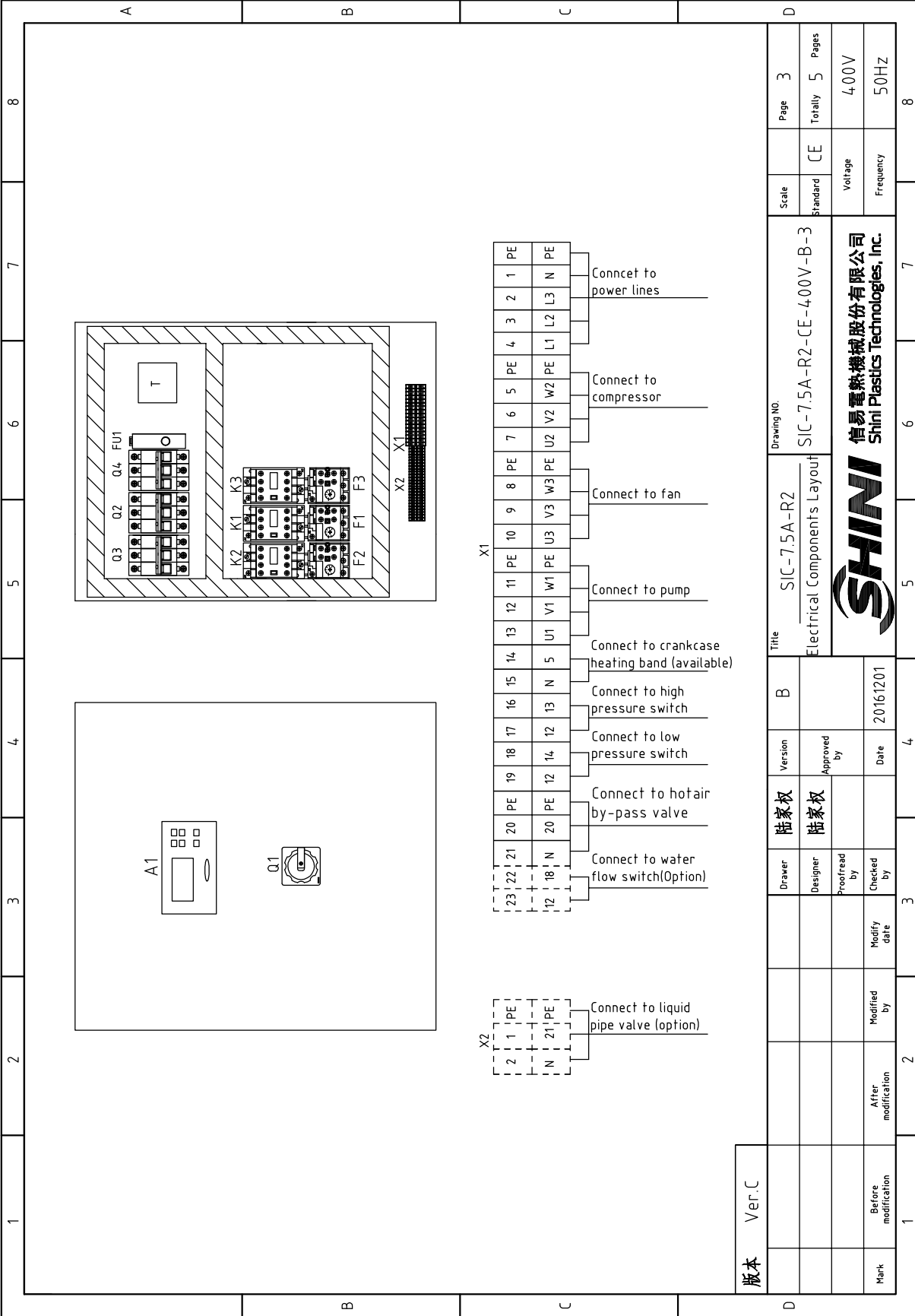
P=4.44kW
 IN=7.7A
 Compressor

P=0.19kW
 IN=0.5A
 Fan motor

版本 Ver.C

Mark	Before modification	Modified by	20161201	Date	Version	陆家权	陆家权	Title	SIC-7.5A-R2		Scale	Page 1	
	After modification	Modify Date	Approved by						Main Circuit Diagram				Standard
Pages	Voltage		Frequency		SIC-7.5A-R2-CE-400V-B-1		SHINI		Shini Plastics Technologies, Inc.		400V		
Voltage		Frequency		SIC-7.5A-R2-CE-400V-B-1		SHINI		Shini Plastics Technologies, Inc.		400V		50Hz	






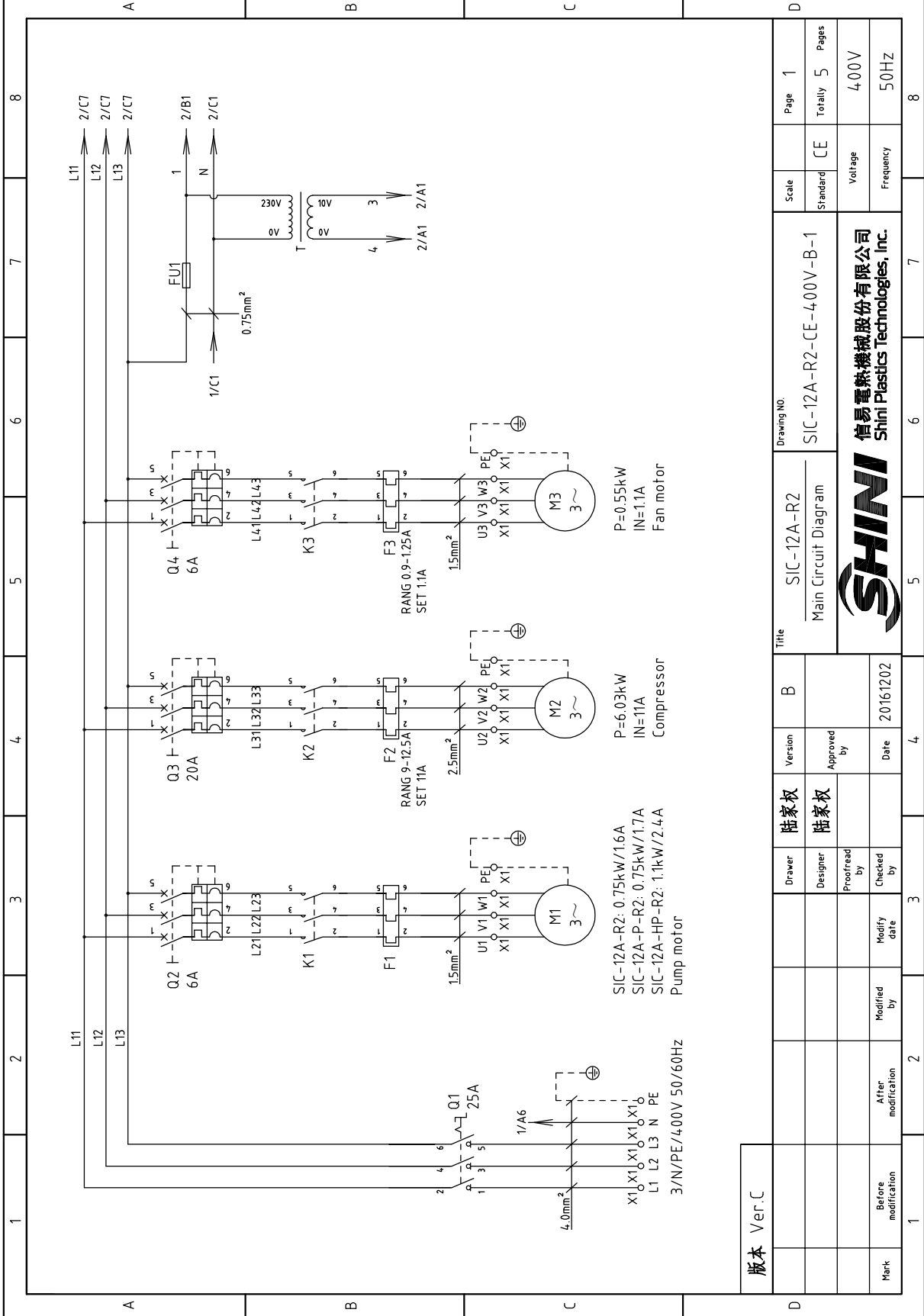
Mark	Before modification	Modified by	Modify date	Checked by	Date	Approved by	Version	B	Title	SIC-7.5A-R2	Drawing NO.	SIC-7.5A-R2-CE-4.00V-B-3	Scale	CE	Page	3
					20161201	陆家权	陆家权		Electrical Components Layout				Standard	CE	Totally	5
																Pages
																4.00V
																50Hz

SHINI
信易塑料机械股份有限公司
Shini Plastics Technologies, Inc.

1	2		3	4	5	6	7	8	
NO.	Symbol	Name	Manufacturer	Type	Specification	Number	Material number	Remark	
1	Q1	Main switch	EATON	TO-2-1/EA/SVB/16A	16A	1	YE10021160000		
2	Q3	Circuit breaker	TECO	BM-63C/3016S	16A	1	YE40301603000		
3	Q2 Q4	Circuit breaker	TECO	BM-63C/3006S	6A	2	YE40300603000	A	
4	K1	Contactor	SIEMENS	3RT6016-1AN21	220VAC 50/60Hz	1	YE00601621000		
5	K2	Contactor	SIEMENS	3RT6018-1AN22	220VAC 50/60Hz	1	YE00601800100		
6		Auxiliary block	SIEMENS	3RH6911-1AA10	1NO	1	YE00691100000	(2)	
7	K3	Contactor	SIEMENS	3RT6015-1AN21	220VAC 50/60Hz	1	YE00601521000		
8	F1	Thermo overload relay	SIEMENS	3RU6116-1BB0	1.4-2A	1	YE01160140000	SIC-7.5A-R2	
9	F1	Thermo overload relay	SIEMENS	3RU6116-1BB0	1.4-2A	1	YE01160140000	SIC-7.5A-R2-P	
10	F1	Thermo overload relay	SIEMENS	3RU6116-1EB0	2.8-4A	1	YE01160280000	SIC-7.5A-R2-HP	
11	F2	Thermo overload relay	SIEMENS	3RU6116-1JB0	7-10A	1	YE01167100000	B	
12	F3	Thermo overload relay	SIEMENS	3RU6116-0GB0	0.45-0.63A	1	YE011671450000		
13	FU1	Fuse	YINDA	FS-10	2A	1	YE41001000000		
14	A1	Controller	PUNP	SF317500A	AC 10V	1	YE80000100900		
15	S1	Anti-freezing temp. RTD	PUNP	RTD	----	1	----		
16	S3	Water tank temp. RTD	PUNP	RTD	----	1	----		
17	T	Transformer	PUNP	IN=220V OUT=9.8V	----	1	----		
18	S4	HI pressure switch	----	----	----	1	----	(1)	
19	S5	L0 pressure switch	----	----	----	1	----	(1)	
20	S6	Water flow switch	----	----	----	1	----	(1)(3)	
21	S7	Communication interface board RS-485 (double Dsub-9pin connector)	----	----	----	1	YE90048501200	(1)	
22		Shell RS485(SAL-700G-A-1910)	----	----	----	1	YR40048500000	(1)	
23	X1	Terminal board	----	SK2.5	----	21	YE60002503200		
24		Terminal board	----	GK2.5PE	----	5	YE60002503400		
25		Terminal board	----	SK2.5	----	2	YE60002503200	(3)	
版本 Ver.C Notes: (1)Means it's not the material inside the control box.(2) Stands for optional liquid pipe valve. (3)Stands for optional water flow switch.									
				陆家权 Designer	陆家权 Approved by	Title SIC-7.5A-R2 Electrical Components List 1	Drawing NO. SIC-7.5A-R2-CE-4.00V-B-4	Scale Standard CE	Page 4
				Proofread by	Date 20161201	Voltage 4.00V	Frequency 50Hz	Page 4	Page 5
				Checked by	Modify date	Voltage 4.00V	Frequency 50Hz	Page 4	Page 5
				Before modification	Modified by	Voltage 4.00V	Frequency 50Hz	Page 4	Page 5
				Mark	Modified by	Voltage 4.00V	Frequency 50Hz	Page 4	Page 5



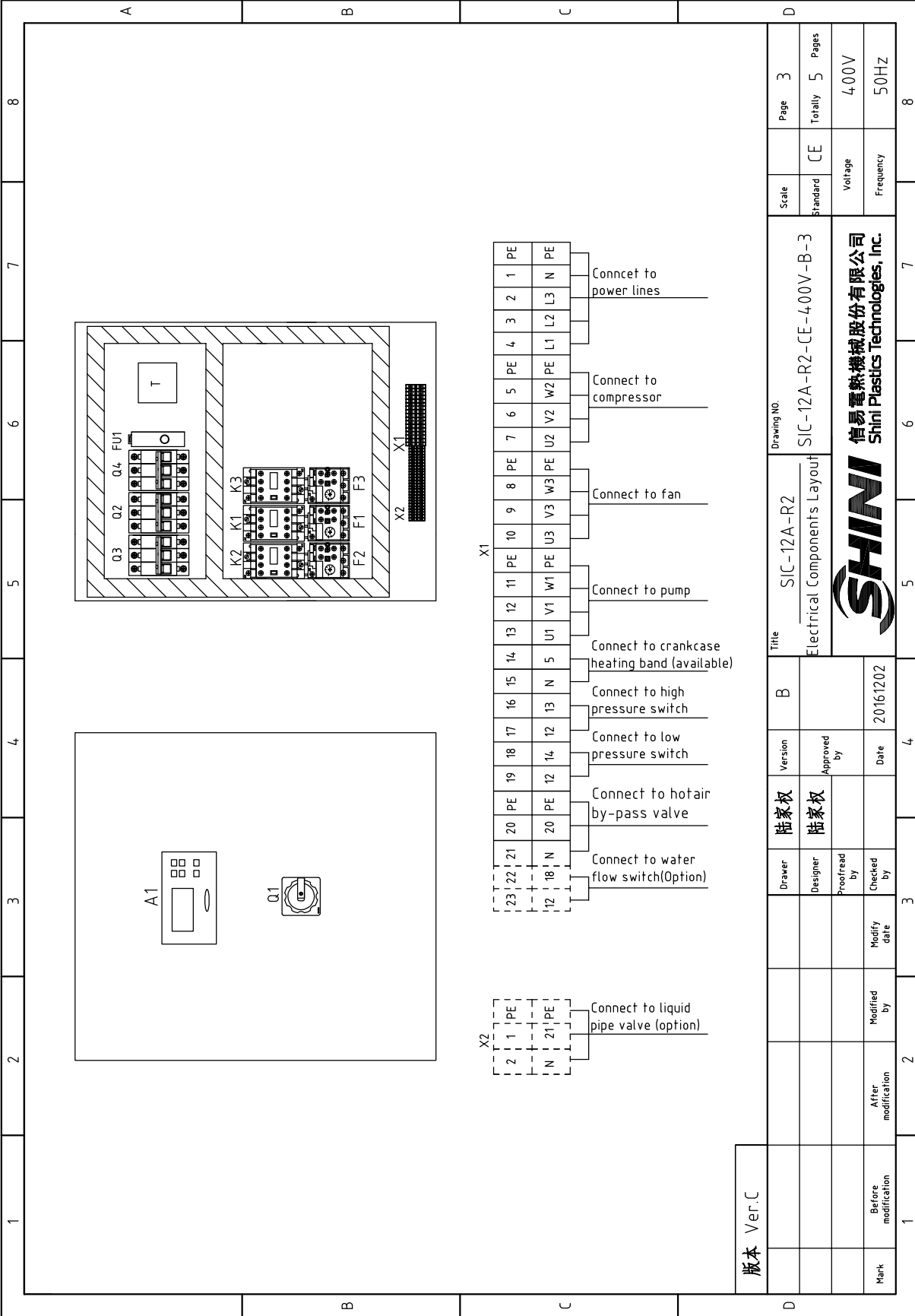
1		2		3		4		5		6		7		8	
NO.	Symbol	Name	Manufacturer	Type	Specification	Number	Material number	Remark							
26	X2	Terminal board	----	SK2.5	----	2	YE60002503200	(2)							
27		Terminal board	----	GK2.5PE	----	1	YE60002503400	(2)							
28	Y1	Solenoid valve	----	----	230V 50/60Hz	1	----	(1)							
29	Y2	Solenoid valve	----	----	230V 60Hz	1	----	(1)(2)							
30	M1	Pump motor	----	LO pressure pump	0.75KW 400V 50/60Hz	1	(SIC-7.5A-R2)	(1)							
31	M1	Pump motor	----	MID pressure pump	0.75KW 400V 50/60Hz	1	(SIC-7.5A-R2-P)	(1)							
32	M1	Pump motor	----	HI pressure pump	1.5KW 400V 50/60Hz	1	(SIC-7.5A-R2-HP)	(1)							
33	M2	Compressor	----	----	400V 50/60Hz 4.44kW	1	----	(1)							
34	M3	Fan motor	----	----	400V 50/60Hz 0.19kW	1	----	(1)							
35	EH1	Crankcase heating zone	----	----	230V 50/60Hz 35W	1	----	(1)							
A															
B															
C															
D															
版本 Ver.C Notes: (1)Means it's not the material inside the control box.(2) Stands for optional liquid pipe valve. (3)Stands for optional water flow switch.															
		Title		Version		B		SIC-7.5A-R2		Drawing NO		Scale		Page 5	
		Electrical Components List 2		Approved by		陆家权		SIC-7.5A-R2-CE-400V-B-5		Standard		CE		Totally 5 Pages	
		Date		Date		20161201				Voltage		400V			
Mark		Before modification		Modified by		Modify date		After modification		Frequency		50HZ			
 信易电热机械股份有限公司 Shini Plastics Technologies, Inc.															
1 2 3 4 5 6 7 8															




版本 Ver.C

Mark		Before modification	After modification	Modify Date	Checked by	Designer	Proofread by	陆家权		Version	B	Title		SIC-12A-R2		Drawing NO.		
													Main Circuit Diagram		SIC-12A-R2-CE-400V-B-1		Scale	Page 1
													Standard	CE	Totally	5	Pages	
																	Voltage	400V
																	Frequency	50Hz

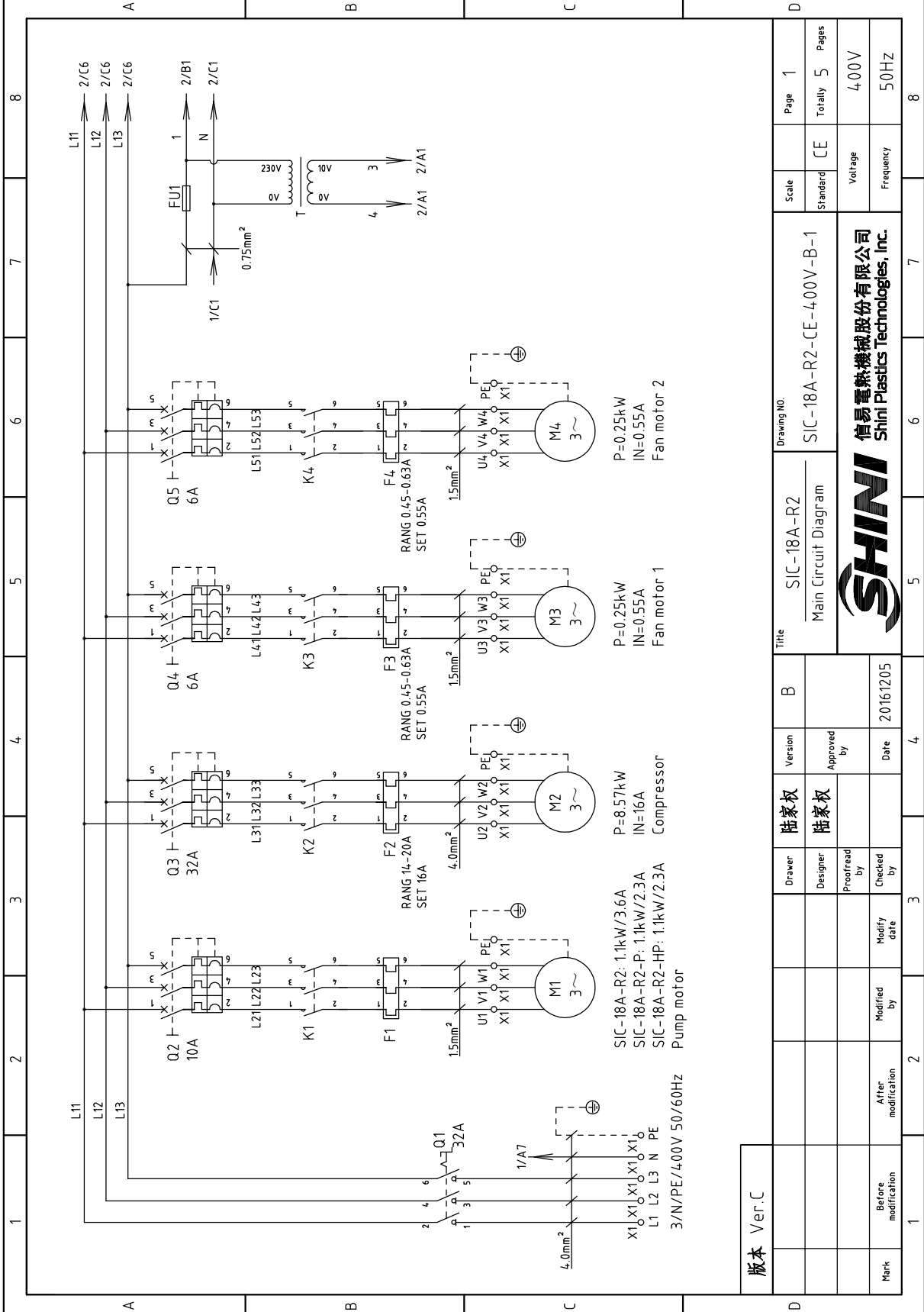




版本 Ver.C

Mark	Before modification	Modified by	Modify date	Checked by	Date	Approved by	Version	B	Title	Drawing No.	Scale	Page
	After modification	Modified by	Modify date								Standard	Totally
					20161202				Electrical Components Layout	SIC-12A-R2-CE-400V-B-3	CE	3
												5
												8
 SHINI 信易塑料机械股份有限公司 Shini Plastics Technologies, Inc.										Voltage	4.00V	
										Frequency	50Hz	

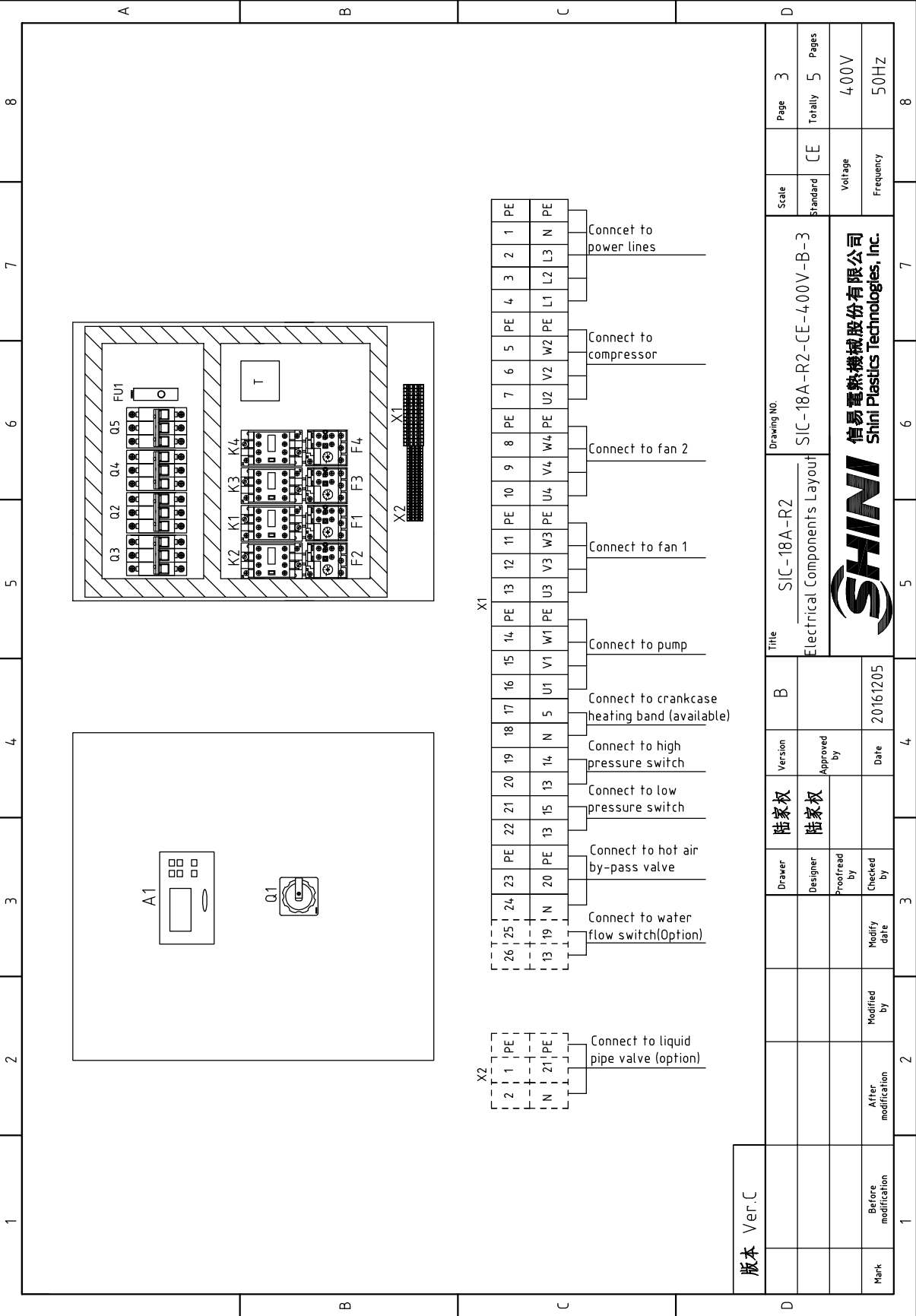
1	2		3	4	5	6	7	8
NO.	Symbol	Name	Manufacturer	Type	Specification	Number	Material number	Remark
1	Q1	Main switch	EATON	P1-25/EA/SVB	25A	1	YE1012520000	
2	Q3	Circuit breaker	TECO	BM-63C/3020S	20A	1	YE40302003000	
3	Q2 Q4	Circuit breaker	TECO	BM-63C/3006S	6A	2	YE40300603000	A
4	K1	Contactor	SIEMENS	3RT6016-1AN21	220VAC 50/60Hz	1	YE00601621000	
5	K2	Contactor	SIEMENS	3RT6018-1AN22	220VAC 50/60Hz	1	YE00601800100	
6		Auxiliary block	SIEMENS	3RH6911-1AA10	1NO	1	YE00691100000	(2)
7	K3	Contactor	SIEMENS	3RT6016-1AN21	220VAC 50/60Hz	1	YE00601621000	
8	F1	Thermo overload relay	SIEMENS	3RU6116-1BB0	1.4-2A	1	YE01160140000	SIC-12A-R2
9	F1	Thermo overload relay	SIEMENS	3RU6116-1BB0	1.4-2A	1	YE01160140000	SIC-12A-R2-P
10	F1	Thermo overload relay	SIEMENS	3RU6116-1DB0	2.2-3.2A	1	YE01160220000	SIC-12A-R2-HP
11	F2	Thermo overload relay	SIEMENS	3RU6116-1KB0	9-12.5A	1	YE01169125000	B
12	F3	Thermo overload relay	SIEMENS	3RU6116-0KB0	0.9-1.25A	1	YE01160900000	
13	FU1	Fuse	YINDA	FS-10	2A	1	YE41001000000	
14	A1	Controller	PUNP	SF317500A	AC 10V	1	YE80000100900	
15	S1	Anti-freezing temp. RTD	PUNP	RTD	----	1	----	
16	S3	Water tank temp. RTD	PUNP	RTD	----	1	----	
17	T	Transformer	PUNP	IN=220V OUT=9.8V	----	1	----	
18	S4	Hl pressure switch	----	----	----	1	----	(1)
19	S5	L0 pressure switch	----	----	----	1	----	(1)
20	S6	Water flow switch	----	----	----	1	----	(1)(3)
21	S7	Communication interface board RS-485 (double Dsub-9pin connector)	----	----	----	1	YE90048501200	(1)
22		Shell RS485(SAL-700G-A-19)0	----	----	----	1	YR40048500000	(1)
23	X1	Terminal board	----	SK4	----	4	YE60000403200	
24		Terminal board	----	GK5PE	----	1	YE60000403500	
25		Terminal board	----	SK2.5	----	17	YE60002503200	
版本 Ver.C Notes: (1)Means it's not the material inside the control box.(2) Stands for optional liquid pipe valve. (3)Stands for optional water flow switch.								
			Drawer	Version	Title		Drawing NO.	
			陆家权	B	SIC-12A-R2		SIC-12A-R2-CE-400V-B-4	
			Designer	Approved by	Electrical Components List 1			
			陆家权					
			Proofread by	Date				
				20161202				
			Checked by					
			Modify date					
			Modified by					
			Before modification					
			After modification					
			Mark					
					Scale		Page	
					Standard		4	
					CE		Totally	
					Voltage		5	
					Frequency		Pages	
					4.00V		4.00V	
					5.0Hz		5.0Hz	
					SHINI			
					信易塑料机械股份有限公司			
					Shini Plastics Technologies, Inc.			
					5			
					6			
					7			
					8			



版本 Ver.C

Mark	Before modification	After modification	Date	Version	Title	Drawing No.	Scale	Page 1
	Modified by	Modify Date					Standard	Totally 5
Checked by	Checked by	Checked by	20161205	陆家权	SIC-18A-R2	SIC-18A-R2-CE-400V-B-1	CE	Pages
Designer	Designer	Designer	Approved by	陆家权	Main Circuit Diagram			
Proofofread by	Proofofread by	Proofofread by	Date					Voltage
								4.00V
								Frequency
								5.0Hz




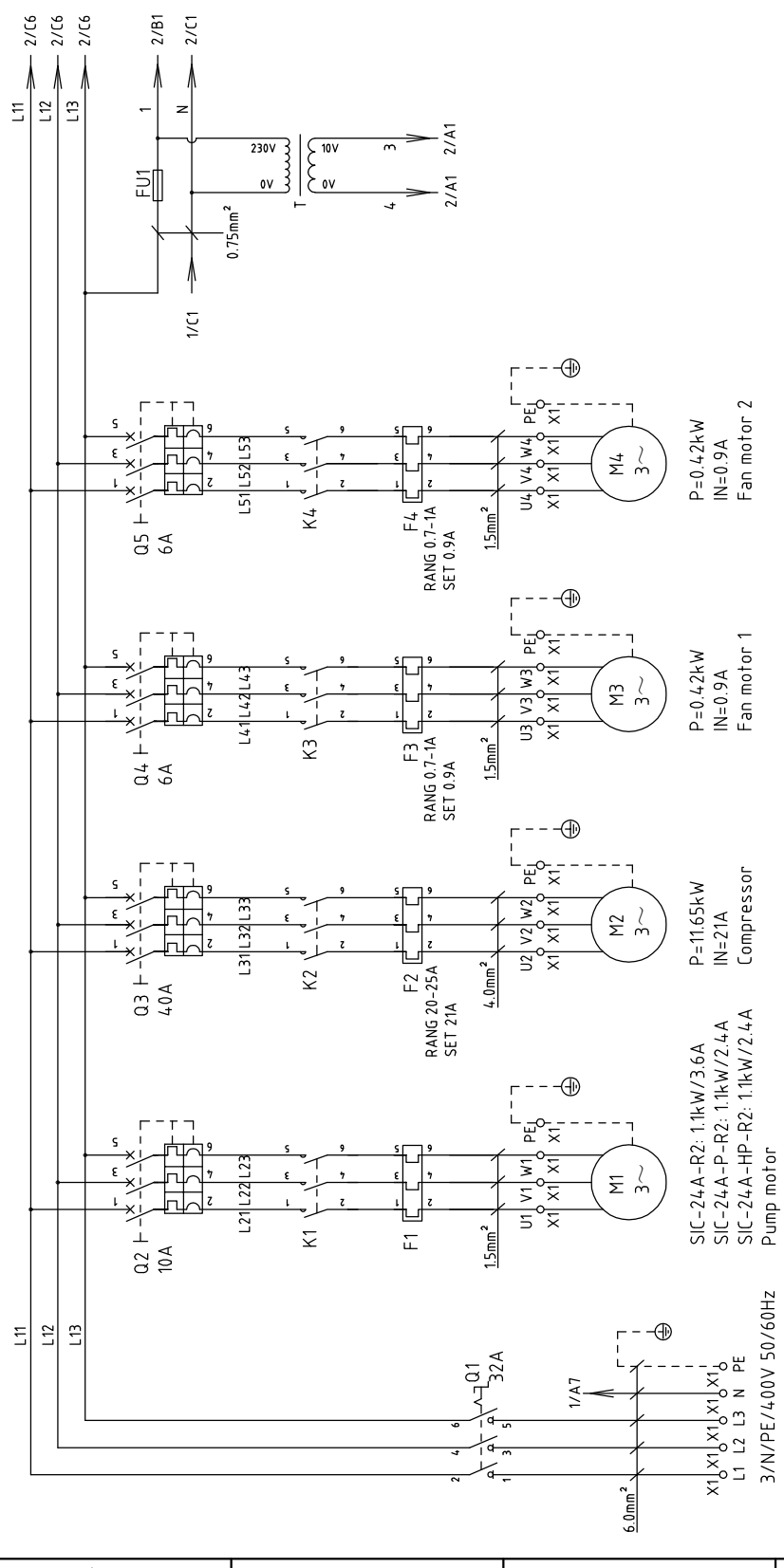


版本 Ver.C

Mark	Before modification	Modified by	Modify date	Checked by	Date	Approved by	Version	B	Title	SIC-18A-R2	Drawing NO.	Scale	Page
	Standard											Totally	
					20161205	陆家权	陆家权		Electrical Components Layout	SIC-18A-R2-CE-400V-B-3		CE	3
													5
													400V
													50HZ
													8

SHINI
 信易塑料机械股份有限公司
 Shini Plastics Technologies, Inc.

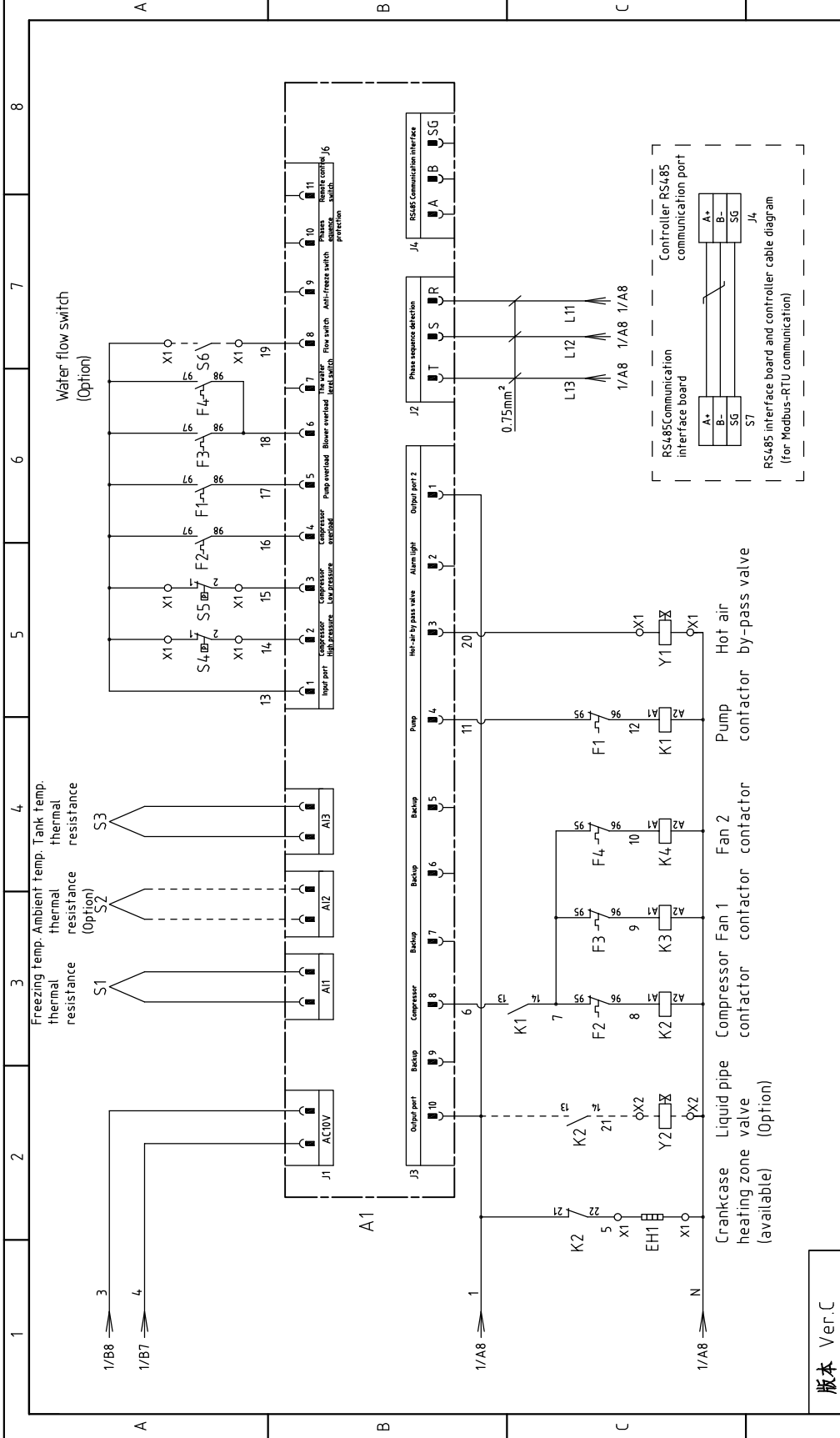
1		2		3		4		5		6		7		8	
NO.	Symbol	Name	Manufacturer	Type	Specification	Number	Material number	Remark							
1	Q1	Main switch	EATON	P1-32/EA/SVB	32A	1	YE10323200000								
2	Q3	Circuit breaker	TECO	BM-63C/3032S	32A	1	YE40303203000								
3	Q2	Circuit breaker	TECO	BM-63C/3010S	10A	1	YE40301003000								
4	Q4 Q5	Circuit breaker	TECO	BM-63C/3006S	6A	2	YE40300603000								
5	K1	Contactor	SIEMENS	3RT6016-1AN21	220VAC 50/60Hz	1	YE00601621000								
6	K2	Contactor	SIEMENS	3RT6026-1AN20	220VAC 50/60Hz	1	YE00602622000								
7	K3 K4	Contactor	SIEMENS	3RT6016-1AN21	220VAC 50/60Hz	2	YE00601621000								
8	F1	Thermo overload relay	SIEMENS	3RU6116-1EB0	2.8-4A	1	YE01160280000	SIC-18A-R2							
9	F1	Thermo overload relay	SIEMENS	3RU6116-1DB0	2.2-3.2A	1	YE01160220000	SIC-18A-R2-P							
10	F1	Thermo overload relay	SIEMENS	3RU6116-1DB0	2.2-3.2A	1	YE01160220000	SIC-18A-R2-HP							
11	F2	Thermo overload relay	SIEMENS	3RU6126-4BB0	14-20A	1	YE01260140000								
12	F3 F4	Thermo overload relay	SIEMENS	3RU6116-0GB0	0.45-0.63A	2	YE01161450000								
13	FU1	Fuse	YINDA	FS-10	2A	1	YE41001000000								
14	A1	Controller	PUNP	SF317500A	AC 10V	1	YE80000100900								
15	S1	Anti-freezing temp. RTD	PUNP	RTD	----	1	----								
16	S3	Water tank temp. RTD	PUNP	RTD	----	1	----								
17	T	Transformer	PUNP	IN=220V OUT=9.8V	----	1	----								
18	S4	HI pressure switch	----	----	----	1	----	(1)							
19	S5	L0 pressure switch	----	----	----	1	----	(1)							
20	S6	Water flow switch	----	----	----	1	----	(1)(3)							
21	S7	Communication interface board RS-485 (double Dsub-9pin connector)	----	----	----	1	YE90048501200	(1)							
22	X1	Shell RS485(SAL-700G-A-1910)	----	----	----	1	YR40048500000	(1)							
23	X1	Terminal board	----	SK4	----	7	YE600000403200								
24		Terminal board	----	GK5PE	----	2	YE600000403500								
25		Terminal board	----	SK2.5	----	17	YE600002503200								
版本 Ver.C Notes: (1)Means it's not the material inside the control box.(2) Stands for optional liquid pipe valve. (3)Stands for optional liquid water flow switch.															
				Drawer 陆家权		Version 陆家权		Title SIC-18A-R2		Drawing NO. SIC-18A-R2-CE-400V-B-4		Scale CE		Page 4 Totality 5	
				Designer 陆家权		Approved by 陆家权		Electrical Components List 1		Standard CE		Voltage 4.00V		Pages 5.00Hz	
Mark		Before modification		Modified by		Modify date		 信易塑料机械股份有限公司 Shini Plastics Technologies, Inc.		Voltage Frequency		4.00V 5.00Hz			
1		2		3		4		5		6		7		8	



版本 Ver.C

Drawing No.		SIC-24A-R2-CE-400V-B-1	
Title		SIC-24A-R2 Main Circuit Diagram	
Drawer	陆家权	Version	B
Designer	陆家权	Approved by	
Proofread by		Date	20161207
Checked by			
Modified by			
Modify Date			
Mark	Before modification	After modification	
Scale	Standard	Scale	CE
Page	1	Page	1
Totally	5	Totally	5
Pages	400V	Pages	50HZ
	Voltage		Frequency

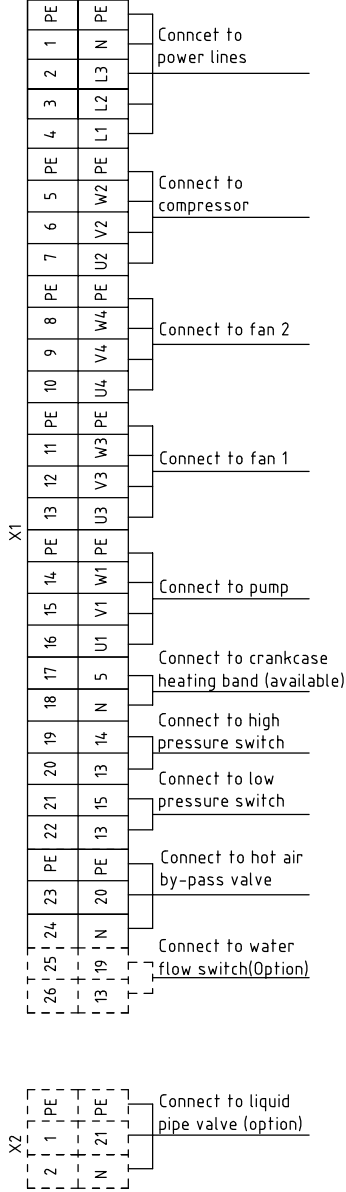
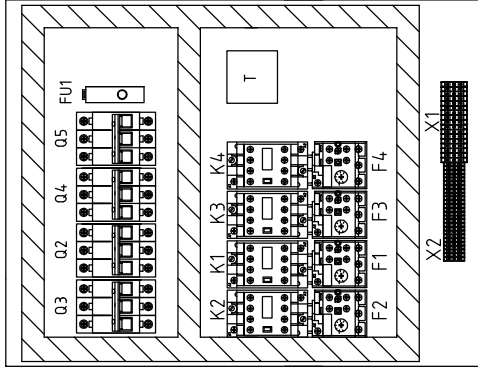
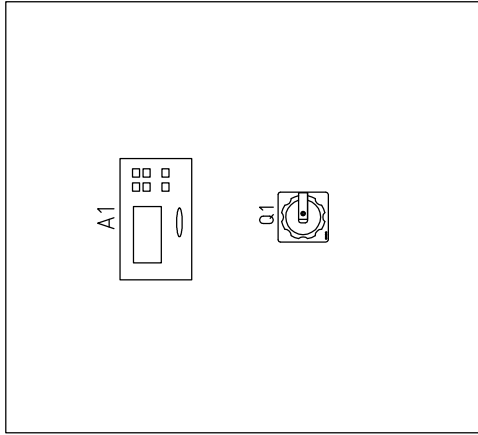




版本 Ver.C

D		Drawing NO.		Page 2	
Title		SIC-24A-R2		Scale	
Control Circuit Diagram		Control Circuit Diagram		Standard CE	
Designer		陆家权		Voltage 400V	
Proofread by		陆家权		Frequency 50Hz	
Checked by		20161207		Totally 5 Pages	
Modified by		Date		Page 2	
Before modification		Date		Page 2	
After modification		Date		Page 2	
Mark		Date		Page 2	
1		2		3	
4		5		6	
7		8		9	
10		11		12	
13		14		15	
16		17		18	
19		20		21	
22		23		24	
25		26		27	
28		29		30	
31		32		33	
34		35		36	
37		38		39	
40		41		42	
43		44		45	
46		47		48	
49		50		51	
52		53		54	
55		56		57	
58		59		60	
61		62		63	
64		65		66	
67		68		69	
70		71		72	
73		74		75	
76		77		78	
79		80		81	
82		83		84	
85		86		87	
88		89		90	
91		92		93	
94		95		96	
97		98		99	
100		101		102	
103		104		105	
106		107		108	
109		110		111	
112		113		114	
115		116		117	
118		119		120	
121		122		123	
124		125		126	
127		128		129	
130		131		132	
133		134		135	
136		137		138	
139		140		141	
142		143		144	
145		146		147	
148		149		150	
151		152		153	
154		155		156	
157		158		159	
160		161		162	
163		164		165	
166		167		168	
169		170		171	
172		173		174	
175		176		177	
178		179		180	
181		182		183	
184		185		186	
187		188		189	
190		191		192	
193		194		195	
196		197		198	
199		200		201	
202		203		204	
205		206		207	
208		209		210	
211		212		213	
214		215		216	
217		218		219	
220		221		222	
223		224		225	
226		227		228	
229		230		231	
232		233		234	
235		236		237	
238		239		240	
241		242		243	
244		245		246	
247		248		249	
250		251		252	
253		254		255	
256		257		258	
259		260		261	
262		263		264	
265		266		267	
268		269		270	
271		272		273	
274		275		276	
277		278		279	
280		281		282	
283		284		285	
286		287		288	
289		290		291	
292		293		294	
295		296		297	
298		299		300	
301		302		303	
304		305		306	
307		308		309	
310		311		312	
313		314		315	
316		317		318	
319		320		321	
322		323		324	
325		326		327	
328		329		330	
331		332		333	
334		335		336	
337		338		339	
340		341		342	
343		344		345	
346		347		348	
349		350		351	
352		353		354	
355		356		357	
358		359		360	
361		362		363	
364		365		366	
367		368		369	
370		371		372	
373		374		375	
376		377		378	
379		380		381	
382		383		384	
385		386		387	
388		389		390	
391		392		393	
394		395		396	
397		398		399	
400		401		402	
403		404		405	
406		407		408	
409		410		411	
412		413		414	
415		416		417	
418		419		420	
421		422		423	
424		425		426	
427		428		429	
430		431		432	
433		434		435	
436		437		438	
439		440		441	
442		443		444	
445		446		447	
448		449		450	
451		452		453	
454		455		456	
457		458		459	
460		461		462	
463		464		465	
466		467		468	
469		470		471	
472		473		474	
475		476		477	
478		479		480	
481		482		483	
484		485		486	
487		488		489	
490		491		492	
493		494		495	
496		497		498	
499		500		501	
502		503		504	
505		506		507	
508		509		510	
511		512		513	
514		515		516	
517		518		519	
520		521		522	
523		524		525	
526		527		528	
529		530		531	
532		533		534	
535		536		537	
538		539		540	
541		542		543	
544		545		546	
547		548		549	
550		551		552	
553		554		555	
556		557		558	
559		560		561	
562		563		564	
565		566		567	
568		569		570	
571		572		573	
574		575		576	
577		578		579	
580		581		582	
583		584		585	
586		587		588	
589		590		591	
592		593		594	
595		596		597	
598		599		600	
601		602		603	
604		605		606	
607		608		609	
610		611		612	
613		614		615	
616		617		618	
619		620		621	
622		623		624	
625		626		627	
628		629		630	
631		632		633	
634		635		636	
637		638		639	
640		641		642	
643		644		645	
646		647		648	
649		650		651	
652		653		654	
655		656		657	
658		659		660	
661		662		663	
664		665		666	
667		668		669	
670		671		672	
673		674		675	
676		677		678	
679		680		681	
682		683		684	
685		686		687	
688		689		690	
691		692		693	
694		695		696	
697		698		699	
700		701		702	
703		704		705	
706		707		708	
709		710		711	
712		713		714	
715		716		717	
718		719		720	
721		722		723	
724		725		726	
727		728		729	
730		731		732	
733		734		735	
736		737		738	
739		740		741	
742		743		744	
745		746		747	
748		749		750	
751		752		753	
754		755		756	
757		758		759	
760		761		762	
763		764		765	
766		767		768	
769		770		771	
772		773		774	
775		776		777	
778		779		780	
781		782		783	
784		785		786	
787		788		789	
790		791		792	
793		794		795	
796		797		798	
799		800		801	
802		803		804	
805		80			

1 2 3 4 5 6 7 8



版本 Ver.C

Title		SIC-24A-R2		Drawing NO.		SIC-24A-R2-CE-400V-B-3		Scale		Page 3	
Electrical Components Layout		陆家权		Version		陆家权		Standard		CE	
陆家权		陆家权		Approved by		陆家权		Voltage		4.00V	
陆家权		陆家权		Date		20161207		Frequency		50HZ	
Mark		Before modification		Modified by		Modify date		After modification		Mark	



1 2 3 4 5 6 7 8

1		2		3		4		5		6		7		8	
NO.	Symbol	Name	Manufacturer	Type	Specification	Number	Material number	Remark							
1	Q1	Main switch	EATON	P1-32/EA/SVB	32A	1	YE10323200000								
2	Q3	Circuit breaker	TECO	BM-63C/3040S	40A	1	YE40304003000								
3	Q2	Circuit breaker	TECO	BM-63C/3010S	10A	1	YE40301003000								
4	Q4 Q5	Circuit breaker	TECO	BM-63C/3006S	6A	2	YE40300603000								
5	K1	Contactor	SIEMENS	3RT6016-1ANZ1	220VAC 50/60Hz	1	YE00601621000								
6	K2	Contactor	SIEMENS	3RT6027-1AN20	220VAC 50/60Hz	1	YE00602722000								
7		auxiliary block	SIEMENS	3RH6911-1AA10	1NO	1	YE00691100000	(2)							
8	K3 K4	Contactor	SIEMENS	3RT6016-1ANZ1	220VAC 50/60Hz	2	YE00601621000								
9	F1	Thermo overload relay	SIEMENS	3RU6116-1EB0	2.8-4A	1	YE01160280000	SIC-24A-R2							
10	F1	Thermo overload relay	SIEMENS	3RU6116-1CB0	1.8-2.5A	1	YE01160180000	SIC-24A-R2-P							
11	F1	Thermo overload relay	SIEMENS	3RU6116-1CB0	1.8-2.5A	1	YE01160180000	SIC-24A-R2-HP							
12	F2	Thermo overload relay	SIEMENS	3RU6126-4DB0	20-25A	1	YE01260200000								
13	F3 F4	Thermo overload relay	SIEMENS	3RU6116-0JB0	0.7-1A	2	YE01160700000								
14	FU1	Fuse	YINDA	FS-10	2A	1	YE41001000000								
15	A1	Controller	PUNP	SF317500A	AC 10V	1	YE80000100900								
16	S1	Anti-freezing temp. RTD	PUNP	RTD	----	1	----								
17	S3	Water tank temp. RTD	PUNP	RTD	----	1	----								
18	T	Transformer	PUNP	IN=220V OUT=9.8V	----	1	----								
19	S4	H1 pressure switch	----	----	----	1	----	(1)							
20	S5	L0 pressure switch	----	----	----	1	----	(1)							
21	S6	Water flow switch	----	----	----	1	----	(1)(3)							
22	S7	Communication interface board RS-485 (double Dsub-9pin connector)	----	----	----	1	YE90048501200	(1)							
23	X1	Shell RS485(SAL-700G-A-1910)	----	----	----	1	YR40048500000	(1)							
24	X1	Terminal board	----	6.0mm ²	----	7	YE60000603200								
25	X1	Terminal board	----	6.0mm ² PE	----	2	YE60000603500								
版本 Ver.C Notes: (1)Means it's not the material inside the control box.(2)Stands for optional liquid pipe valve. (3)Stands for optional water flow switch.															
		Drawer		Version		B		Title		Drawing NO.		Scale		Page	
		陆家权		陆家权		Approved by		SIC-24A-R2		SIC-24A-R2-CE-400V-B-4		CE		Page 4	
		Designer		Proofread by		Date		Electrical Components List 1		Voltage		Totally		Pages	
		陆家权		陆家权		20161207				4.00V		5		5	
Mark		Before modification		Modified by		Modify date		Checked by		Frequency		Voltage		50Hz	
										50Hz		4.00V		50Hz	



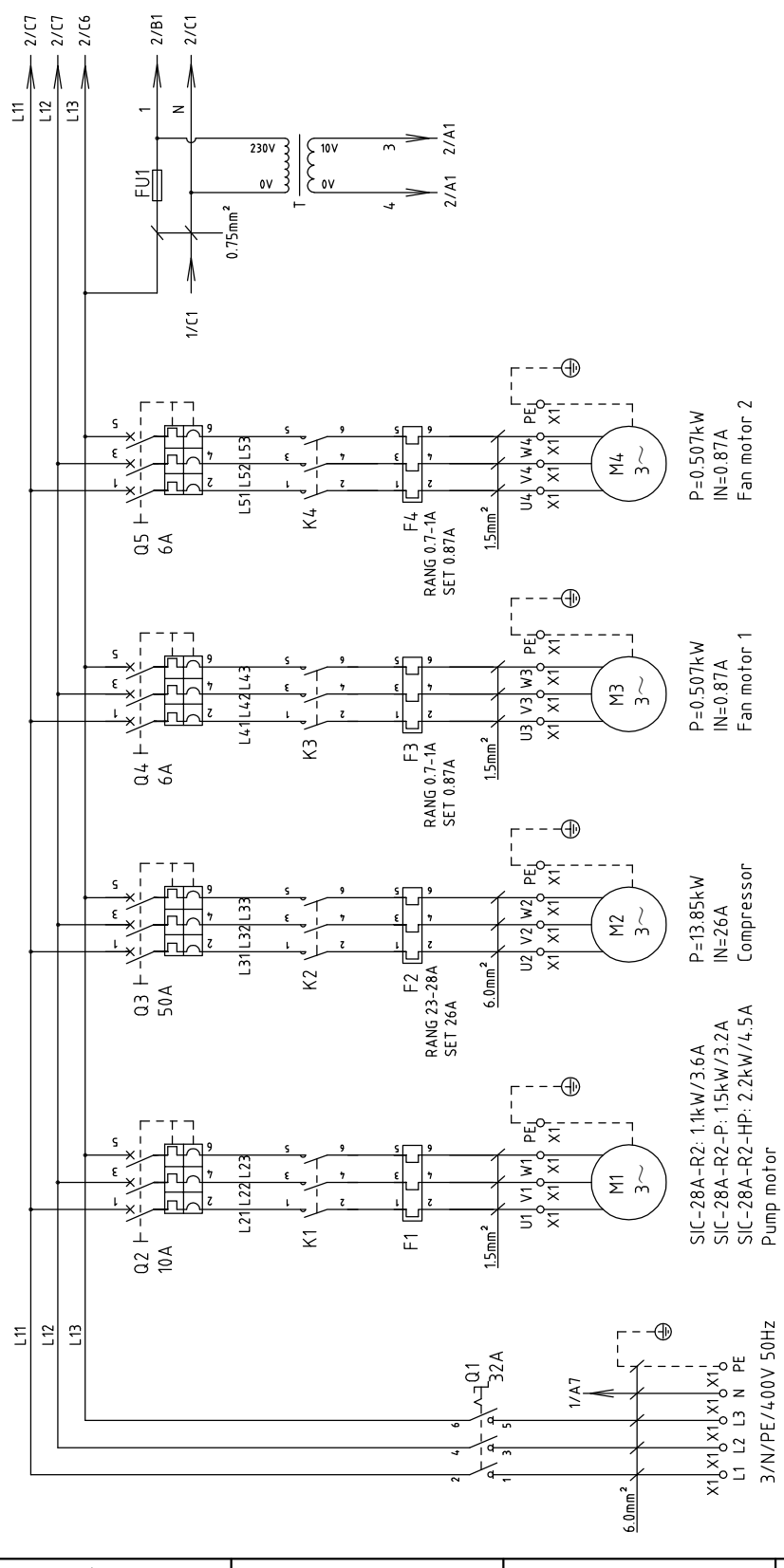
SIC-24A-R2-CE-400V-B-4

Electrical Components List 1

SHINI
信易塑料机械股份有限公司
Shini Plastics Technologies, Inc.

1		2		3		4		5		6		7		8	
NO.	Symbol	Name	Manufacturer	Type	Specification	Number	Material number	Remark							
26		Terminal board	----	2.5mm ²	----	17	YE60002503200								
27		Terminal board	----	2.5mm ² PE	----	4	YE60002503400								
28		Terminal board	----	2.5mm ²	----	2	YE60002503200	(3)							
29	X3	Terminal board	----	2.5mm ²	----	2	YE60002503200	(2)							
30		Terminal board	----	2.5mm ² PE	----	1	YE60002503400	(2)							
31	Y1	Solenoid valve	----	----	230V 50/60Hz	1	----	(1)							
32	Y2	Solenoid valve	----	----	230V 60Hz	1	----	(1)(2)							
33	M1	Pump motor	----	L0 pressure pump1.1KW	400V 50/60Hz	1	----	(1)							
34	M1	Pump motor	----	MID pressure pump1.1KW	400V 50/60Hz	1	----	(1)							
35	M1	Pump motor	----	HI pressure pump 1.1KW	400V 50/60Hz	1	----	(1)							
36	M2	Compressor	----	----	400V 50/60Hz 11.65kW	1	----	(1)							
37	M3	Fan motor	----	----	400V 50/60Hz 0.42kW	2	----	(1)							
38	EH1	Crankcase heating zone	----	----	230V 50/60Hz 45W	1	----	(1)							
A															
B															
C															
D															
版本 Ver.C Notes: (1)Means it's not the material inside the control box.(2) Stands for optional liquid pipe valve. (3)Stands for optional water flow switch.															
		Drawer		Version		Title		Drawing NO.		Scale		Page		5	
		Designer		Approved by		SIC-24A-R2		SIC-24A-R2		Standard		CE		Totally 5	
		Proofread by		Date		Electrical Components List 2		SIC-24A-R2-CE-400V-B-5		Voltage		400V		Pages	
		Checked by		20161207						Frequency		50HZ			
Mark		Before modification		After modification		Modify date									
1		3		4		5		6		7		8			





SIC-28A-R2: 1.1kW/3.6A
 SIC-28A-R2-P: 1.5kW/3.2A
 SIC-28A-R2-HP: 2.2kW/4.5A
 Pump motor

P=13.85kW
 IN=26A
 Compressor

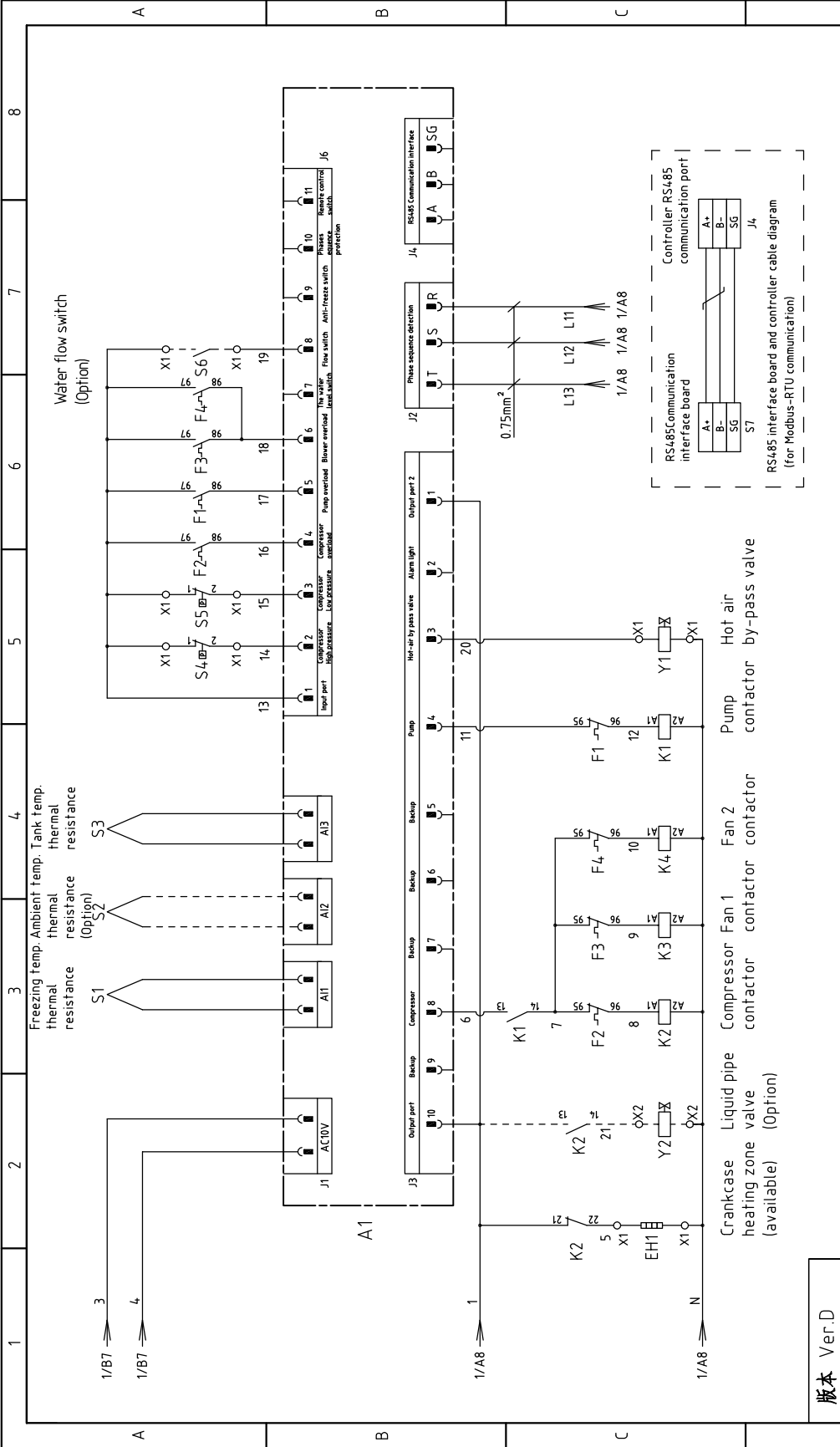
P=0.507kW
 IN=0.87A
 Fan motor 1

P=0.507kW
 IN=0.87A
 Fan motor 2

版本 Ver.D

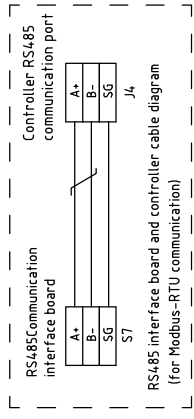
Mark	Before modification	After modification	Date	20161209	Version	B	Title	SIC-28A-R2 Main Circuit Diagram	Drawing NO.	SIC-28A-R2-CE-400V-B-1	Scale	Page 1
	Designer	Prooftered by									Approved by	Standard
Modified by	Modify Date	Checked by	Date								Voltage	4.00V
											Frequency	50HZ



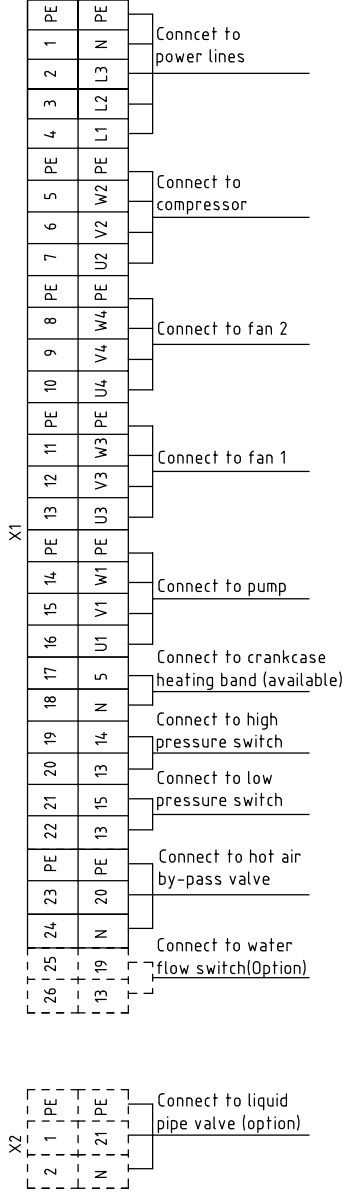
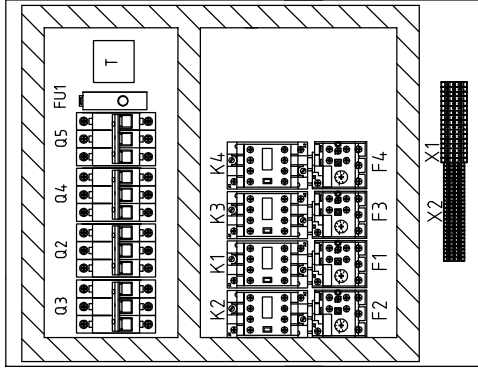
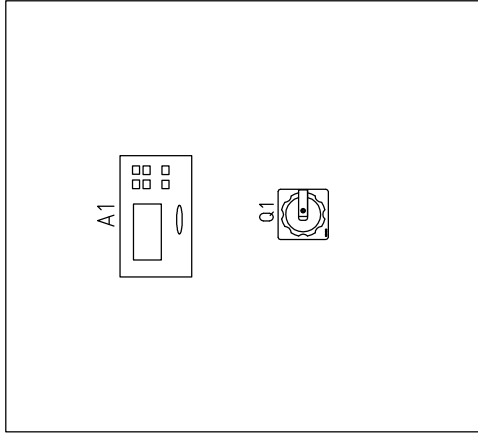


版本 Ver.D

D		Title		Version		Drawing NO.	
		SIC-28A-R2		B		SIC-28A-R2-CE-400V-B-2	
		Control Circuit Diagram		Approved by		Standard CE	
		Designer		Date		Voltage 400V	
		Proofread by		20161209		Frequency 50Hz	
		Checked by				Page 2	
		Modify date				Totally 5 Pages	
		After modification				400V	
		Modified by				50Hz	
		Before modification				8	
						7	
						6	
						5	
						4	
						3	
						2	
						1	




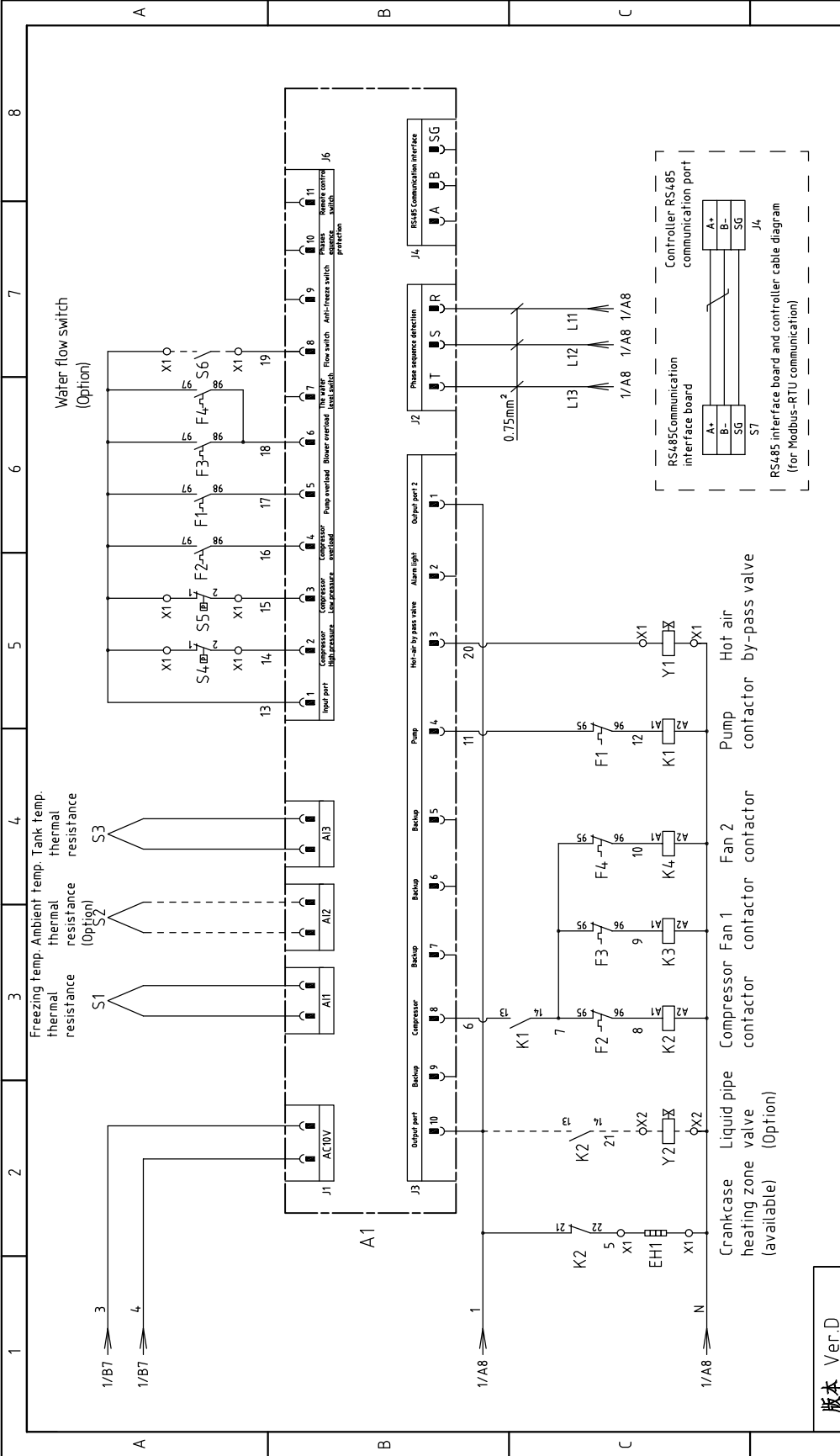
1 2 3 4 5 6 7 8



版本 Ver.D

Title		SIC-28A-R2		Drawing NO.		SIC-28A-R2-CE-400V-B-3		Scale		Page 3	
Electrical Components Layout		SHINI		SHINI Shini Plastics Technologies, Inc.		Standard		CE		Totally 5 Pages	
Version		陆家权		Approved by		Date		Voltage		4.00V	
Drawer		陆家权		Proofread by		Checked by		Frequency		50HZ	
Mark		Before modification		After modification		Modify date		20161209		8	

1		2		3		4		5		6		7		8																																																													
No.	Symbol	Name	Manufacturer	Type	Specification	Number	Material number	Remark																																																																			
26		Terminal board	----	2.5mm ² PE	----	4	YE60002503400																																																																				
27		Terminal board	----	2.5mm ²	----	2	YE60002503200	(3)																																																																			
28	X2	Terminal board	----	2.5mm ²	----	2	YE60002503200	(2)																																																																			
29		Terminal board	----	2.5mm ² PE	----	1	YE60002503400	(2)																																																																			
30	Y1	Solenoid valve	----	----	230V 60Hz	1	----	(1)																																																																			
31	Y2	Solenoid valve	----	----	230V 60Hz	1	----	(1)(2)																																																																			
32	M1	Pump motor	----	L0 pressure pump 1.1KW	400V 60Hz	1	----	(1)																																																																			
33	M1	Pump motor	----	MID pressure pump 1.5KW	400V 60Hz	1	----	(1)																																																																			
34	M1	Pump motor	----	HI pressure pump 2.2KW	400V 60Hz	1	----	(1)																																																																			
35	M2	Compressor	----	----	400V 60Hz 13.85kW	1	----	(1)																																																																			
36	M3	Fan motor	----	----	400V 60Hz 0.507kW	2	----	(1)																																																																			
37	EH1	Crankcase heating zone	----	----	230V 60Hz 45W	1	----	(1)																																																																			
A																																																																											
B																																																																											
C																																																																											
D																																																																											
版本 Ver.D Notes: (1)Means it's not the material inside the control box.(2) Stands for optional liquid pipe valve. (3)Stands for optional water flow switch.																																																																											
<table border="1"> <tr> <td colspan="2">Title</td> <td colspan="2">Version</td> <td colspan="2">B</td> <td colspan="2">Scale</td> <td colspan="2">Page</td> </tr> <tr> <td colspan="2">SIC-28A-R2</td> <td colspan="2">陆家权</td> <td colspan="2">陆家权</td> <td colspan="2">SIC-28A-R2</td> <td colspan="2">5</td> </tr> <tr> <td colspan="2">Electrical Components List 2</td> <td colspan="2">Approved by</td> <td colspan="2">Approved by</td> <td colspan="2">Standard</td> <td colspan="2">Totally</td> </tr> <tr> <td colspan="2"></td> <td colspan="2"></td> <td colspan="2"></td> <td colspan="2">CE</td> <td colspan="2">5</td> </tr> <tr> <td colspan="2">Voltage</td> <td colspan="2">Date</td> <td colspan="2">20161209</td> <td colspan="2">Frequency</td> <td colspan="2">4.00V</td> </tr> <tr> <td colspan="2">4.00V</td> <td colspan="2"></td> <td colspan="2"></td> <td colspan="2">5.00Hz</td> <td colspan="2">5.00Hz</td> </tr> </table>																Title		Version		B		Scale		Page		SIC-28A-R2		陆家权		陆家权		SIC-28A-R2		5		Electrical Components List 2		Approved by		Approved by		Standard		Totally								CE		5		Voltage		Date		20161209		Frequency		4.00V		4.00V						5.00Hz		5.00Hz	
Title		Version		B		Scale		Page																																																																			
SIC-28A-R2		陆家权		陆家权		SIC-28A-R2		5																																																																			
Electrical Components List 2		Approved by		Approved by		Standard		Totally																																																																			
						CE		5																																																																			
Voltage		Date		20161209		Frequency		4.00V																																																																			
4.00V						5.00Hz		5.00Hz																																																																			
 信易电热机械股份有限公司 Shini Plastics Technologies, Inc.																																																																											
<table border="1"> <tr> <td colspan="2">Drawing NO.</td> <td colspan="2">Scale</td> <td colspan="2">Page</td> </tr> <tr> <td colspan="2">SIC-28A-R2-CE-400V-B-5</td> <td colspan="2">CE</td> <td colspan="2">5</td> </tr> <tr> <td colspan="2">Voltage</td> <td colspan="2">Frequency</td> <td colspan="2">4.00V</td> </tr> <tr> <td colspan="2">4.00V</td> <td colspan="2">5.00Hz</td> <td colspan="2">5.00Hz</td> </tr> </table>																Drawing NO.		Scale		Page		SIC-28A-R2-CE-400V-B-5		CE		5		Voltage		Frequency		4.00V		4.00V		5.00Hz		5.00Hz																																					
Drawing NO.		Scale		Page																																																																							
SIC-28A-R2-CE-400V-B-5		CE		5																																																																							
Voltage		Frequency		4.00V																																																																							
4.00V		5.00Hz		5.00Hz																																																																							
<table border="1"> <tr> <td colspan="2">Before modification</td> <td colspan="2">After modification</td> <td colspan="2">Modify date</td> <td colspan="2">Checked by</td> <td colspan="2">Date</td> </tr> <tr> <td colspan="2"></td> <td colspan="2"></td> <td colspan="2"></td> <td colspan="2"></td> <td colspan="2">20161209</td> </tr> </table>																Before modification		After modification		Modify date		Checked by		Date										20161209																																									
Before modification		After modification		Modify date		Checked by		Date																																																																			
								20161209																																																																			
<table border="1"> <tr> <td colspan="2">1</td> <td colspan="2">2</td> <td colspan="2">3</td> <td colspan="2">4</td> <td colspan="2">5</td> <td colspan="2">6</td> <td colspan="2">7</td> <td colspan="2">8</td> </tr> </table>																1		2		3		4		5		6		7		8																																													
1		2		3		4		5		6		7		8																																																													

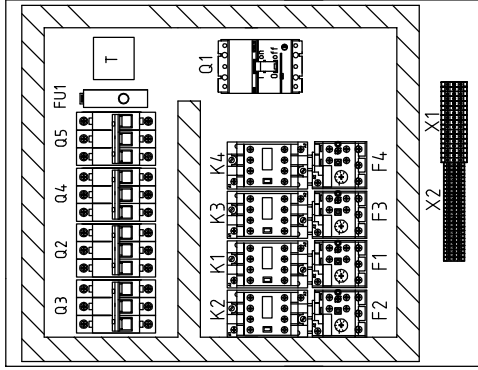
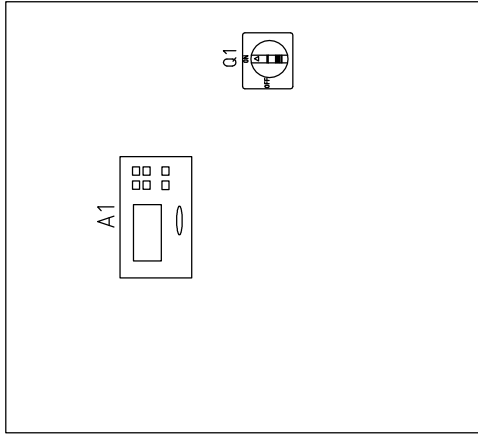


版本 Ver.D

Drawing NO.		SIC-38A-R2		Page 2	
Title		SIC-38A-R2		Scale	
Control Circuit Diagram		Control Circuit Diagram		Standard CE	
Designer		陆家权		Voltage 400V	
Proofread by		陆家权		Frequency 50Hz	
Checked by		20161212		Totally 5 Pages	
Modified by		Date		Page 2	
Mark		Before modification		Voltage	
		After modification		Frequency	
1		2		3	
4		5		6	
7		8		9	



1 2 3 4 5 6 7 8



X2
 2 1 PE
 N 21 PE
 Connect to liquid pipe valve (option)


X1
 23 22 21
 19 18 17 16 15 14 13 12 11 10 9 8 PE 7 6 5 PE 4 3 2 PE 1 PE
 13 19 N 20 PE 13 15 13 14 N 5 U1 V1 W1 U3 V3 W3 PE U4 V4 W4 PE U2 V2 PE N PE
 Connect to liquid pipe valve (option)
 Connect to water flow switch(Optional)
 Connect to hot air by-pass valve
 Connect to low pressure switch
 Connect to high pressure switch
 Connect to crankcase heating band (available)
 Connect to pump
 Connect to fan 1
 Connect to fan 2
 Connect to compressor
 Connect to power's zero line and ground wire

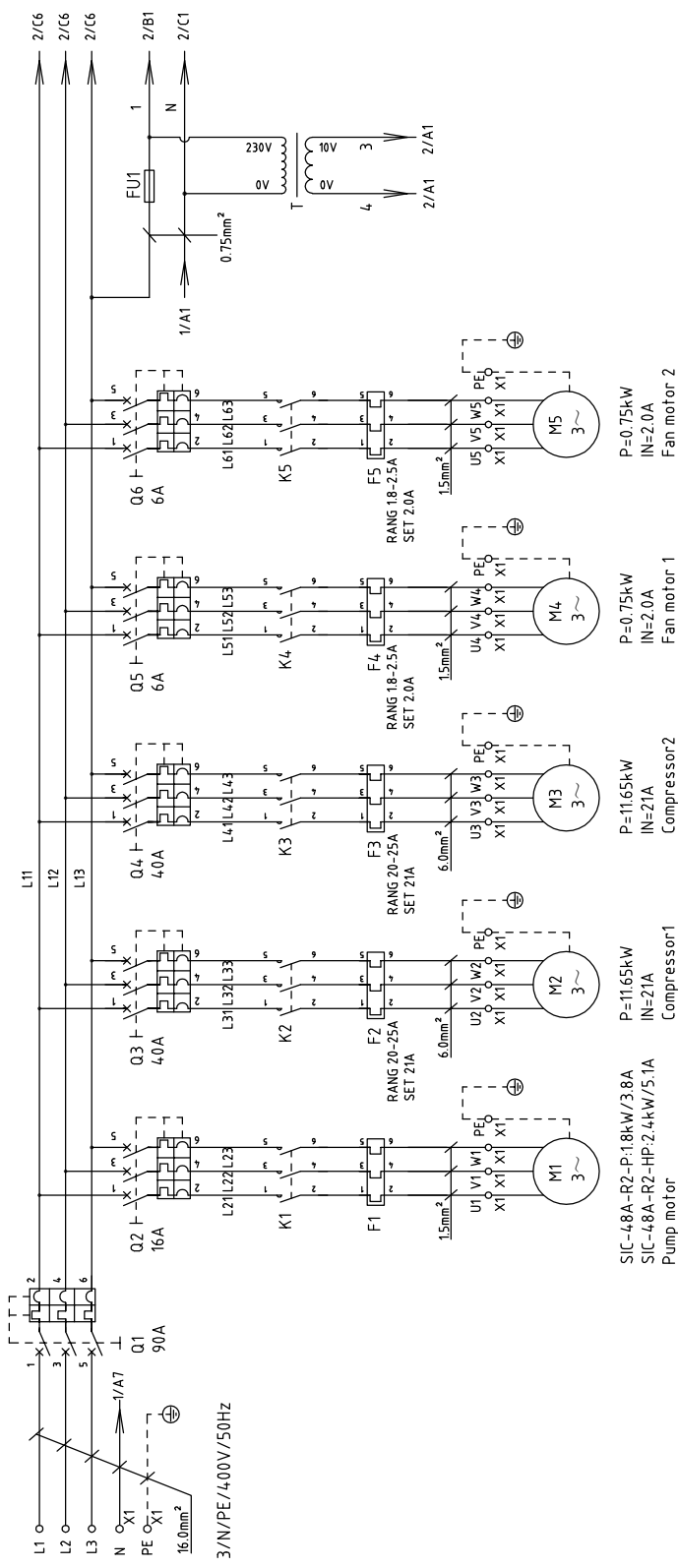
版本 Ver.D

Mark	Before modification	Modified by	Modify date	Date	20161212	Approved by	陆家权	Version	B	Title	SIC-38A-R2 Electrical Components Layout	Drawing NO.	SIC-38A-R2-CE-400V-B-3	Scale	Page
	After modification	Modified by	Modify date											Standard	Totally
														CE	3
															5
															400V
															50HZ



1 2 3 4 5 6 7 8

1	2		3	4	5	6	7	8
NO.	Symbol	Name	Manufacturer	Type	Specification	Number	Material number	Remark
1	Q1	Breaker interlock	ABB	A1A125TMF60/6003PFF	60A	1	YE4.1106200000	
2	Q2	Circuit breaker	TECO	BM-63C/3010S	10A	1	YE4.0301003000	
3	Q3	Circuit breaker	TECO	BM-63C/3063S	63A	1	YE4.0306303000	A
4	Q4 Q5	Circuit breaker	TECO	BM-63C/3006S	6A	2	YE4.0300603000	
5	K1	Contacto	SIEMENS	3RT6016-1AN21	220VAC 50/60Hz	1	YE00601621000	
6	K2	Contacto	SIEMENS	3RT6028-1AN20	220VAC 50/60Hz	1	YE00602822000	
7	K3 K4	Contacto	SIEMENS	3RT6016-1AN21	220VAC 50/60Hz	2	YE00601621000	
8	F1	Thermo overload relay	SIEMENS	3RU6116-1EB0	2.8-4A	1	YE01160280000	SIC-38A-R2
9	F1	Thermo overload relay	SIEMENS	3RU6116-1EB0	2.8-4A	1	YE01160280000	SIC-38A-R2-P
10	F1	Thermo overload relay	SIEMENS	3RU6116-1GB0	4.5-6.3A	1	YE01160450000	SIC-38A-R2-HP
11	F2	Thermo overload relay	SIEMENS	3RU6126-4PB0	30-36A	1	YE01612630000	B
12	F3 F4	Thermo overload relay	SIEMENS	3RU6116-1AB0	1.1-1.6A	2	YE01160110000	
13	FU1	Fuse	YINDA	FS-10	2A	1	YE4.1001000000	
14	A1	Controllor	PUNP	SF317500A	AC 10V	1	YE80000100900	
15	S1	Anti-freezing temp. RTD	PUNP	RTD	----	1	----	
16	S3	Water tank temp. RTD	PUNP	RTD	----	1	----	
17	T	Transformer	PUNP	IN=220V OUT=9.8V	----	1	----	
18	S4	HI pressure switch	----	----	----	1	----	(1)
19	S5	L0 pressure switch	----	----	----	1	----	(1)
20	S6	Water flow switch	----	----	----	1	----	(1)(3)
21	S7	Communication interface board RS-485 (double Dsub-9pin connector)	----	----	----	1	YE9004.8501200	(1)
22	X1	Shell RS485(SAL-700G-A-1910)	----	----	----	1	YR4.004.8500000	(1)
23	X1	Terminal board	----	10.0mm ²	----	4	YE60001003200	
24		Terminal board	----	10.0mm ² PE	----	1	YE60001003500	
25		Terminal board	----	6.0mm ²	----	3	YE60000603200	
版本 Ver.D Notes: (1)Means it's not the material inside the control box (2) Stands for optional liquid pipe valve. (3)Stands for optional water flow switch.								
D			Drawer 陆家权	Version 陆家权	Title SIC-38A-R2	Drawing NO SIC-38A-R2-CE-400V-B-4	Scale CE	Page 4 Totality 5 Pages
			Designer 陆家权	Approved by 	Electrical Components List 1			
			Proofread by 	Date 20161212		信易塑料机械股份有限公司 Shini Plastics Technologies, Inc.	Voltage Frequency	4.00V 50Hz
Mark	Before modification	After modification	Modify date					
1	2	3	4	5	6	7	8	

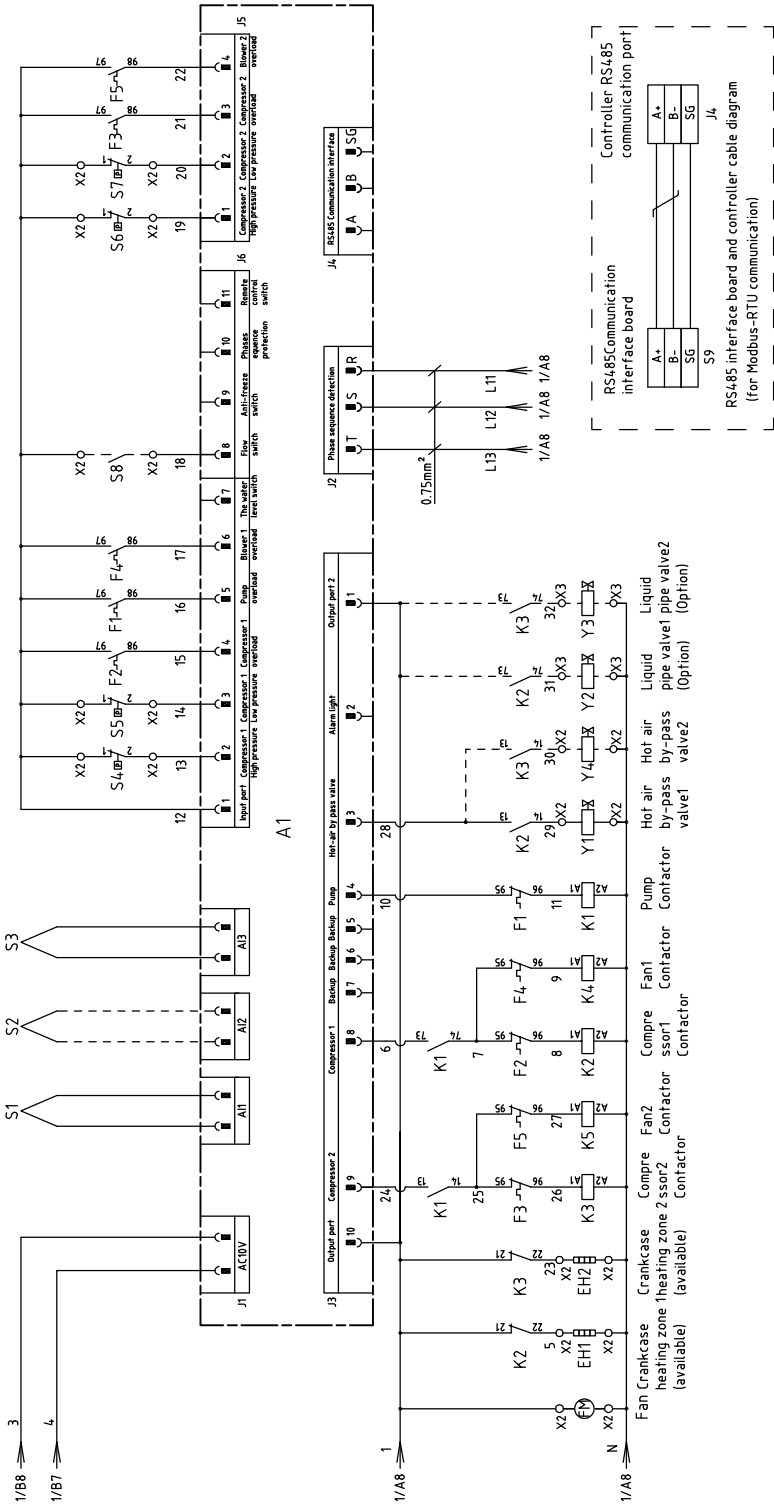


版本 Ver.B

Mark	Before modification	Modified by	Modify date	1	2	3	4	5	6	7	8		
	After modification	Checked by	Date										
Designer	陆家权	Approved by											
Proofofread by	陆家权												
Version	B												
Title	SIC-48A-R2		Main Circuit Diagram		SIC-48A-R2-CE-400V-B-1		Scale		Page 1		Page 1		
Drawing NO.		SIC-48A-R2		Main Circuit Diagram		SIC-48A-R2-CE-400V-B-1		Standard		CE		Totally 5 Pages	
Before modification		After modification		Modified by		Modify date		Checked by		Date		20161219	
Voltage		400V		Frequency		50Hz		SHINI		信易电热机械股份有限公司		Shini Plastics Technologies, Inc.	

Freezing temp. thermal resistance (Option)
 Ambient temp. thermal resistance (Option)
 Tank temp. thermal resistance (Option)

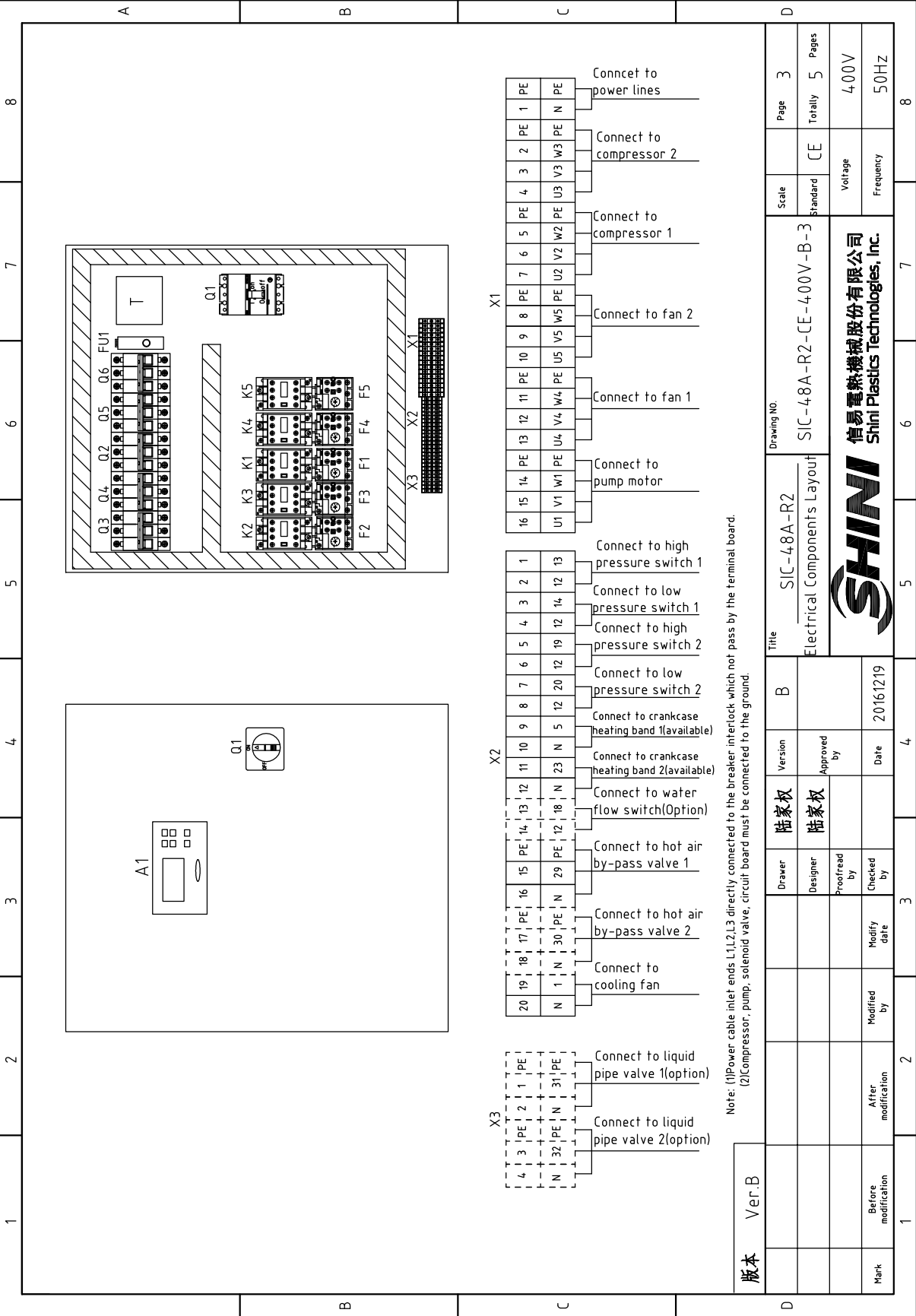
Water flow switch (Option)



版本 Ver.B

Drawing NO.		SIC-48A-R2		SIC-48A-R2-CE-400V-B-2		Page 2
Title		Control Circuit Diagram		Standard		Totally 5 Pages
Drawer	陆家权	Version		Scale	CE	Voltage 4.00V
Designer	陆家权	Approved by		Standard	CE	Frequency 50Hz
Proofread by		Date	20161219			
Checked by		Modified by				
Mark	Before modification	After modification				





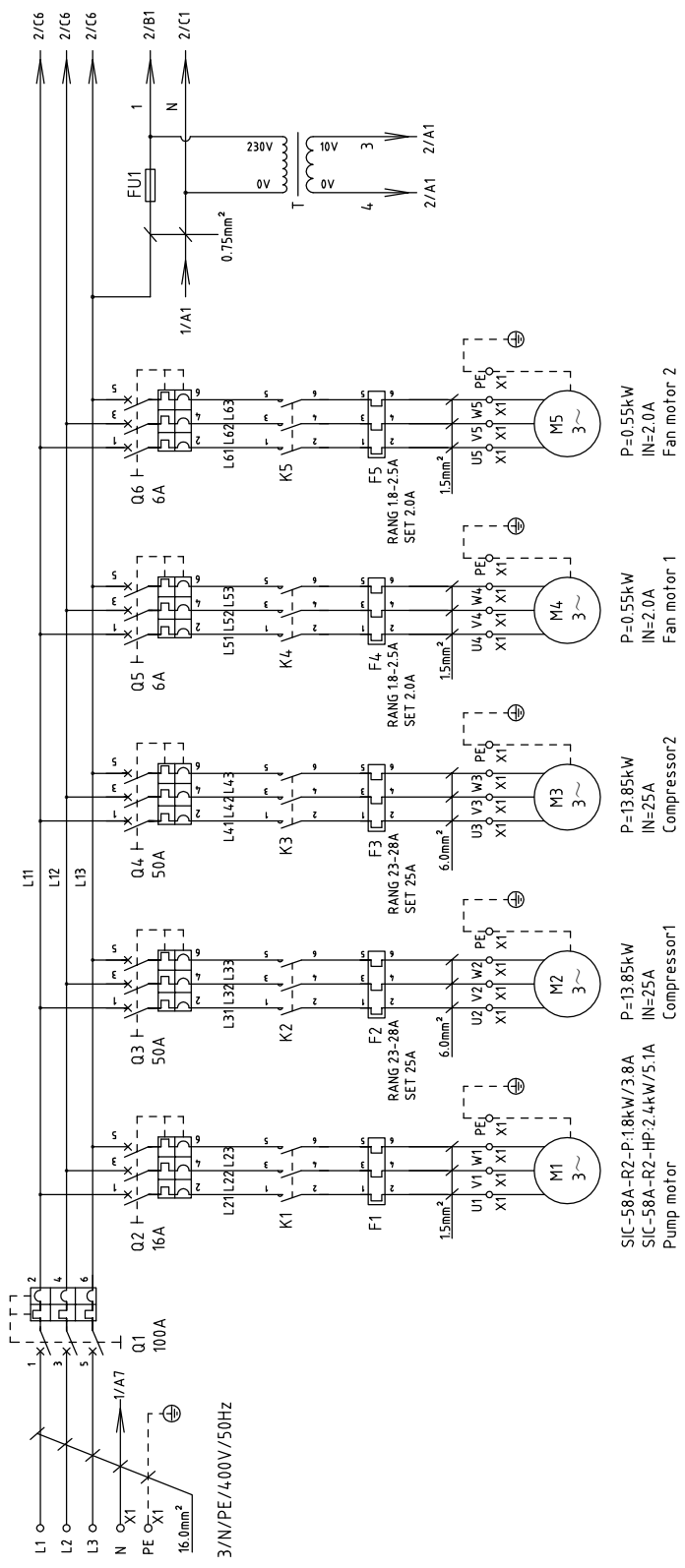
Version: Ver.B

Note: (1)Power cable inlet ends L1,L2,L3 directly connected to the breaker interlock which not pass by the terminal board.
 (2)Compressor, pump, solenoid valve, circuit board must be connected to the ground.

Drawing NO.		SIC-48A-R2		SIC-48A-R2-CE-400V-B-3		Page	3
Title		Electrical Components Layout		Standard		Totally	5
Version		陆家权		Approved by		Voltage	
Designer		陆家权		Date		400V	
Proofread by				20161219		Frequency	
Checked by						50HZ	
Modified by							
Modify date							
Mark		Before modification		After modification			



1	2		3	4	5	6	7	8	
NO.	Symbol	Name	Manufacturer	Type	Specification	Number	Material number	Remark	
1	Q1	Breaker interlock	ABB	A1A125TMF90/9003PFF	90A	1	YE41109200000		
2	Q2	Circuit breaker	TECO	BM-63C/3016S	16A	1	YE40301603000		
3	Q3 Q4	Circuit breaker	TECO	BM-63C/3040S	40A	2	YE40304003000	A	
4	Q4 Q5	Circuit breaker	TECO	BM-63C/3006S	6A	2	YE40300603000		
5	K1	Contacto	SIEMENS	3RT6016-1AN21	220VAC 50/60Hz	1	YE00601621000		
6		Auxiliary block	SIEMENS	3RH6911-1AA10	1NO	1	YE00691110000		
7	K2 K3	Contacto	SIEMENS	3RT6027-1AN20	220VAC 50/60Hz	2	YE00602722000		
8		Auxiliary block	SIEMENS	3RH6911-1AA10	1NO	2	YE00691110000	(4)	
9	K4 K5	Contacto	SIEMENS	3RT6016-1AN21	220VAC 50/60Hz	2	YE00601621000		
10	F1	Thermo overload relay	SIEMENS	3RU6116-1FB0	3.5-5A	1	YE01160350000	SIC-48A-R2-P	
11	F1	Thermo overload relay	SIEMENS	3RU6116-1GB0	4.5-6.32A	1	YE01160450000	SIC-48A-R2-HF	
12	F2 F3	Thermo overload relay	SIEMENS	3RU6126-4DB0	20-25A	2	YE01260200000		
13	F4 F5	Thermo overload relay	SIEMENS	3RU6116-1CB0	1.8-2.5A	2	YE01160180000		
14	A1	Controllor	PUNP	SF317500A	AC 10V	1	YE80317500900		
15	S1	Anti-freezing temp. RTD	PUNP	RTD	----	1	----		
16	S3	Water tank temp. RTD	PUNP	RTD	----	1	----		
17	T	Transformer	PUNP	IN=220V OUT=9.8V	----	1	----		
18	FU1	Fuse	YINDA	FS-10	2A	1	YE41001000000		
19	S4 S6	Hl pressure switch	----	----	----	2	----	(1)	
20	S5 S7	L0 pressure switch	----	----	----	2	----	(1)	
21	S8	Water flow switch	----	----	----	1	----	(1)(3)	
22	S9	Communication interface board RS-485 (double Dsub-9pin connector)	----	----	----	1	YE90048501200	(1)	
23	X1	Shell RS485(SAL-700G-A-1910)	----	----	----	1	YR40048500000	(1)	
24	X1	Terminal board	----	GK6	----	6	YE60000603200		
25	X1	Terminal board	----	GK6PE	----	2	YE60000603500		
概本		Ver.B	Notes: (1)Means it's not the material inside the control box.(2) Stands for optional the second by-pass valve. (3)Stands for optional water flow switch.(4)Stands for optional liquid pipe valve.						
		Drawer	陆家权	Version	B	Title			
		Designer	陆家权	Approved by		Drawing NO.			
		Proofread by		Date	20161219	SIC-48A-R2			
		Checked by				Electrical Components List 1			
		Modified by				SIC-48A-R2-CE-4.00V-B-4			
		Modify date				Voltage		4.00V	
		Before modification				Frequency		50Hz	
		Mark				Standard		CE	
						Page		4	
						Totally		5	
						Pages			
						SHINI			
						信易塑料机械股份有限公司			
						Shini Plastics Technologies, Inc.			
						5			
						6			
						7			
						8			



SIC-58A-R2-P:1.8kW/3.8A
 SIC-58A-R2-HP:2.4kW/5.1A
 Pump motor


P=13.85kW
 IN=25A
 Compressor1

P=13.85kW
 IN=25A
 Compressor2

P=0.55kW
 IN=2.0A
 Fan motor 1

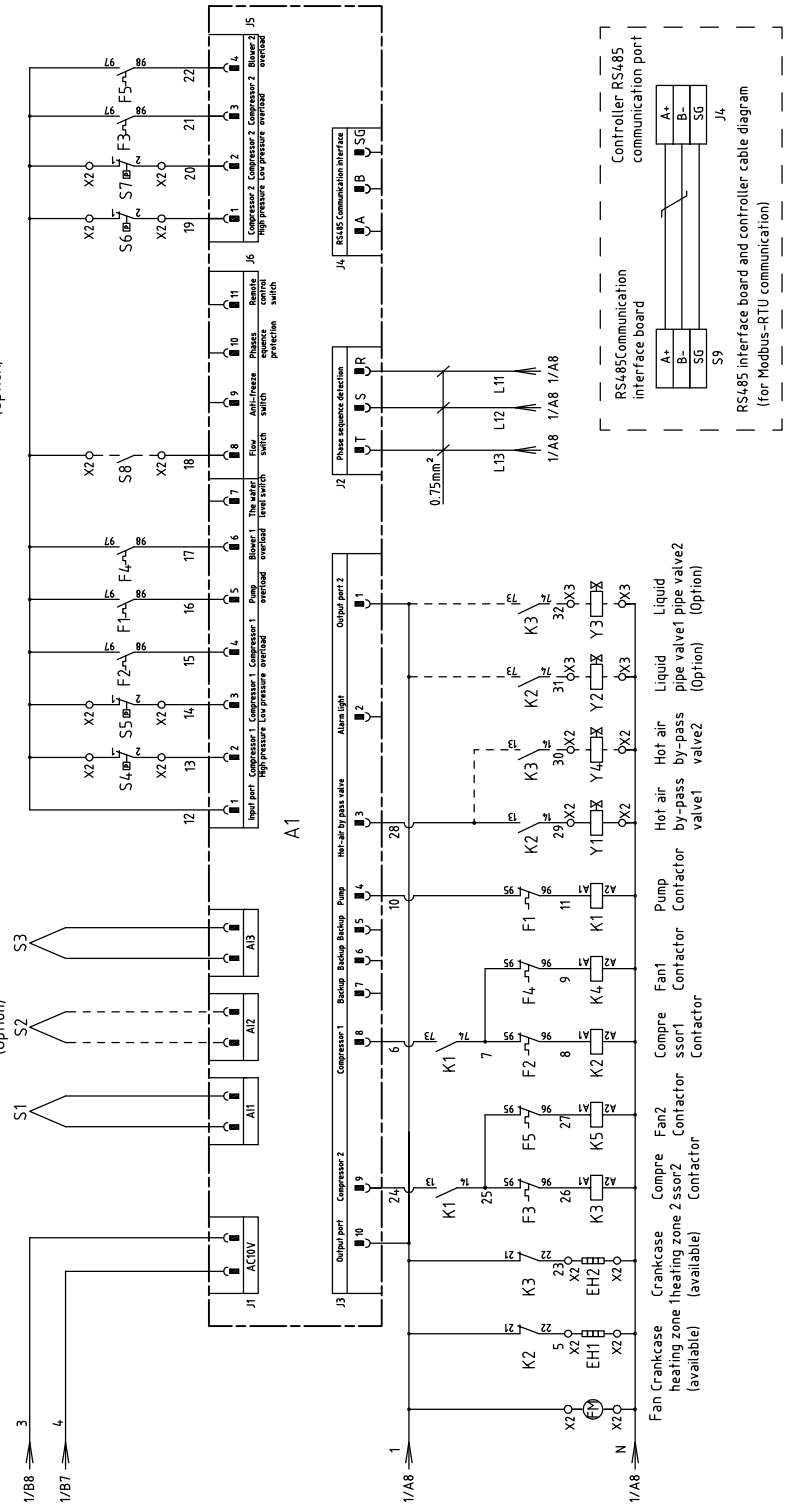
P=0.55kW
 IN=2.0A
 Fan motor 2

版本 Ver.B

Mark	Before modification	Modified by	Modify date	Date	20161221	Version	B	Title	SIC-58A-R2	Drawing NO.	SIC-58A-R2-CE-400V-B-1	Scale	Page 1		
	After modification	Modified by	Modify date				Approved by		Designer		陆家权		陆家权	Standard	CE
												Voltage	4.00V		
												Frequency	50Hz		
												 信易电热机械股份有限公司 Shini Plastics Technologies, Inc.			

Freezing temp. Ambient temp. Tank temp. thermal resistance (Option)

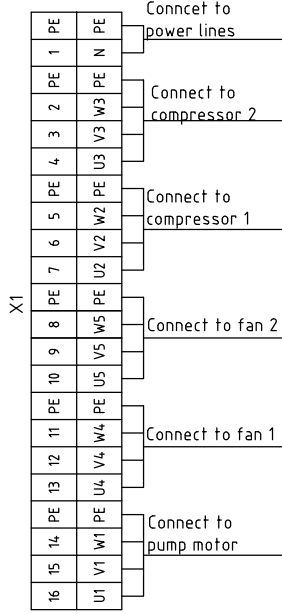
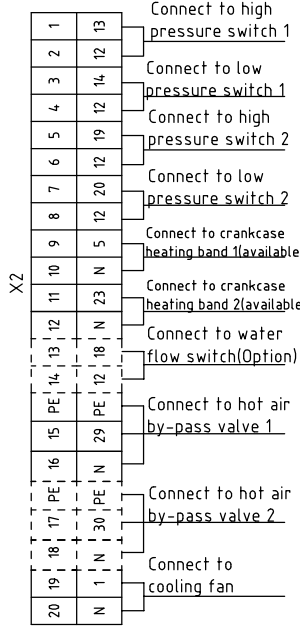
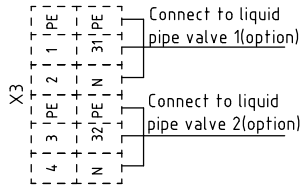
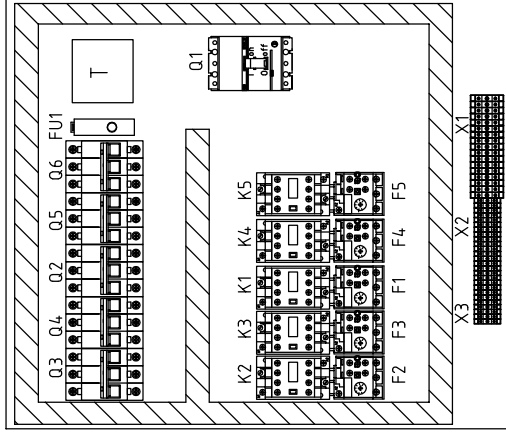
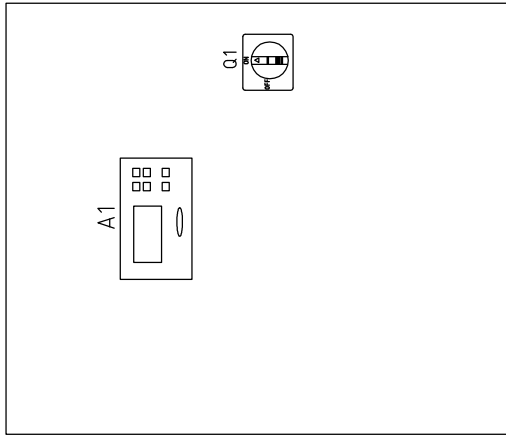
Water flow switch (Option)



版本 Ver.B

Title		SIC-58A-R2		Drawing NO.		SIC-58A-R2-CE-400V-B-2		Page		2	
Control Circuit Diagram		Version		Approved by		Standard		Voltage		400V	
SHINI		Designer		Checked by		RS485 communication interface board		Frequency		50Hz	
SHINI Shini Plastics Technologies, Inc.		Proofread by		Date		RS485 interface board and controller cable diagram (for Modbus-RTU communication)		Totally		5	
Mark		Modified by		Date		Controller RS485 communication interface board		Pages		8	
Before modification		Modify date		20161221		Jk		Totally		5	
After modification						A+ B- SG Jk		Pages		5	
						S9		Voltage		400V	
						A+ B- SG Jk		Frequency		50Hz	

1 2 3 4 5 6 7 8



Note: (1)Power cable inlet ends L1,L2,L3 directly connected to the breaker interlock which not pass by the terminal board.
(2)Compressor, pump, solenoid valve, circuit board must be connected to the ground.

版本 Ver.B

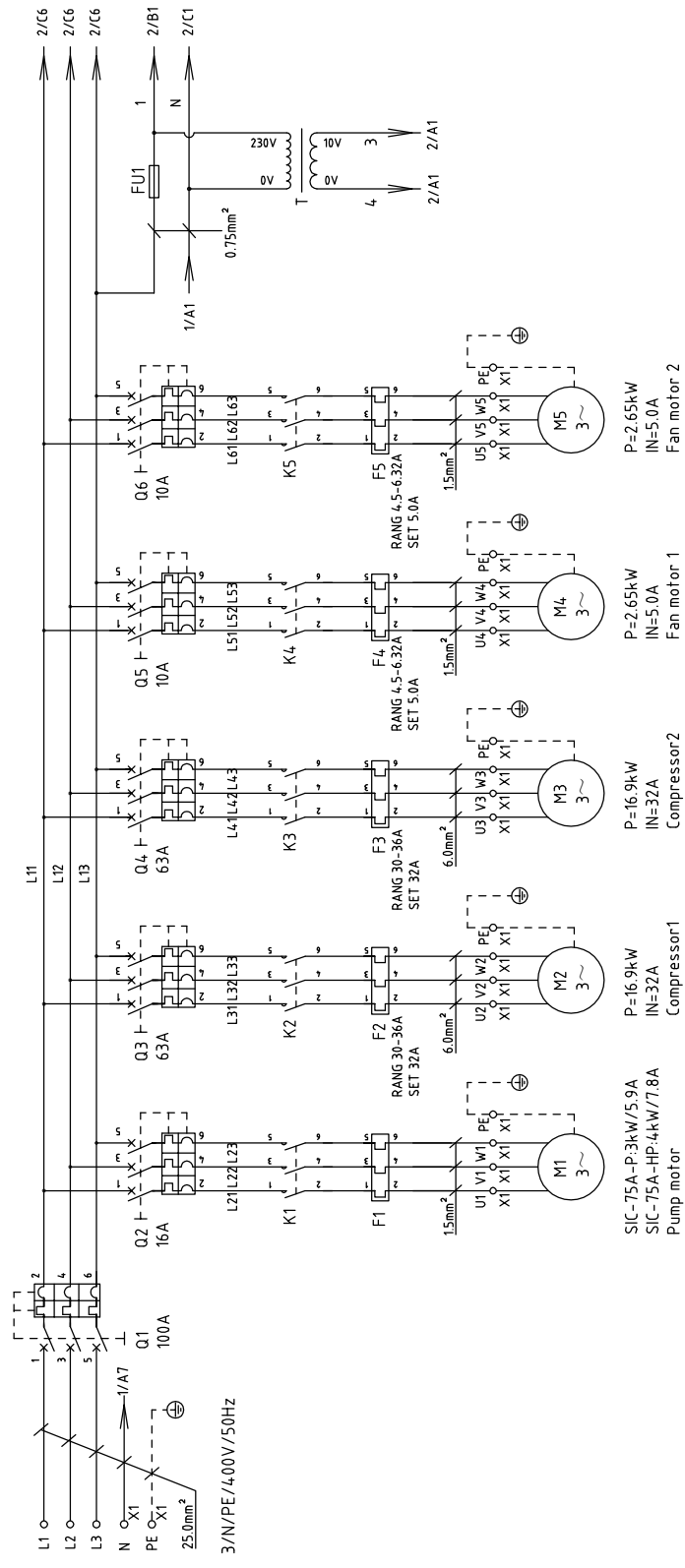
Drawing NO.		SIC-58A-R2		SIC-58A-R2-CE-4.00V-B-3		Scale	Page
Title		Electrical Components Layout		Standard		CE	Totally 5
Version		陆家权		Approved by		Voltage 4.00V	
Designer		陆家权		Date		Frequency 50HZ	
Proofread by				20161221			
Checked by							
Modified by							
Modify date							
Mark		Before modification		After modification			



1 2 3 4 5 6 7 8

1	2		3	4	5	6	7	8
NO.	Symbol	Name	Manufacturer	Type	Specification	Number	Material number	Remark
1	Q1	Breaker interlock	ABB	A1A125TMF100	100A	1	YE4.1110200000	
2	Q2	Circuit breaker	TECO	BM-63C/3016S	16A	1	YE4.0301603000	
3	Q3 Q4	Circuit breaker	TECO	BM-63C/3050S	50A	2	YE4.0305003000	A
4	Q4 Q5	Circuit breaker	TECO	BM-63C/3006S	6A	2	YE4.0300603000	
5	K1	Contact	SIEMENS	3RT6016-1AN21	220VAC 50/60Hz	1	YE00601621000	
6		Auxiliary block	SIEMENS	3RH6911-1AA10	1NO	1	YE00691110000	
7	K2 K3	Contact	SIEMENS	3RT6027-1AN20	220VAC 50/60Hz	2	YE00602722000	
8		Auxiliary block	SIEMENS	3RH6911-1AA10	1NO	2	YE00691110000	(4)
9	K4 K5	Contact	SIEMENS	3RT6016-1AN21	220VAC 50/60Hz	2	YE00601621000	
10	F1	Thermo overload relay	SIEMENS	3RU6116-1FB0	3.5-5A	1	YE01160350000	SIC-58A-R2-P
11	F1	Thermo overload relay	SIEMENS	3RU6116-1GB0	4.5-6.32A	1	YE01160450000	SIC-58A-R2-HP
12	F2 F3	Thermo overload relay	SIEMENS	3RU6126-4NB0	23-28A	2	YE01612620000	
13	F4 F5	Thermo overload relay	SIEMENS	3RU6116-1CB0	1.8-2.5A	2	YE01160180000	
14	A1	Controller	PUNP	SF317500A	AC 10V	1	YE80317500900	
15	S1	Anti-freezing temp. RTD	PUNP	RTD	----	1	----	
16	S3	Water tank temp. RTD	PUNP	RTD	----	1	----	
17	T	Transformer	PUNP	IN=220V OUT=9.8V	----	1	----	
18	FU1	Fuse	YINDA	FS-10	2A	1	YE4.10010000000	
19	S4 S6	Hl pressure switch	----	----	----	2	----	(1)
20	S5 S7	L0 pressure switch	----	----	----	2	----	(1)
21	S8	Water flow switch	----	----	----	1	----	(1)(3)
22	S9	Communication interface board RS-485 (double Dsub-9pin connector)	----	----	----	1	YE9004.8501200	(1)
23	X1	Shell RS485(SAL-700G-A-1910)	----	----	----	1	YR4.0048500000	(1)
24	X1	Terminal board	----	GK6	----	6	YE60000603200	
25	X1	Terminal board	----	GK6PE	----	2	YE60000603500	
Ver.B		Notes: (1)Means it's not the material inside the control box.(2) Stands for optional the second by-pass valve. (3)Stands for optional the second by-pass valve. (4)Stands for optional liquid pipe valve.			Title		Drawing NO	
		Drawer	Version	B	SIC-58A-R2		Scale	Page 4
		Designer	Approved by		Electrical Components List 1		Standard	Totally 5 Pages
		Proofread by	Date	20161221	SIC-58A-R2-CE-4.00V-B-4		Voltage	4.00V
		Modified by					Frequency	50Hz
Mark		Before modification	Modified by					
1		3		4	5	6	7	8



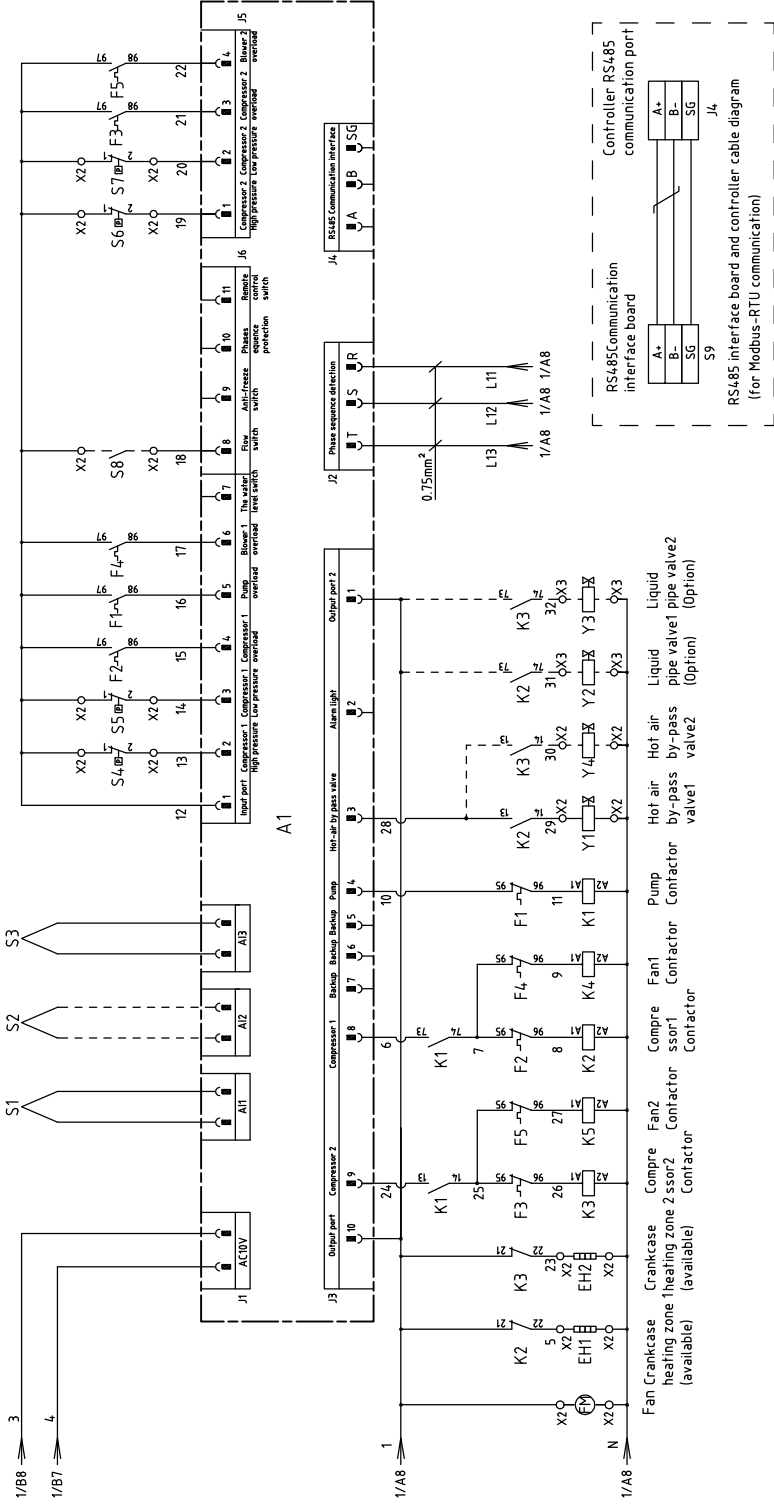


概本 Ver.B

Mark	Before modification	Modified by	Modify date	Checked by	Date	Approved by	Version	A	Title	SIC-75A-R2 Main Circuit Diagram	Drawing NO.	Scale	Page 1
	After modification											Standard	Totally 5
												Voltage	4.00V
												Frequency	50Hz



Freezing temp. thermal resistance (Option)
 Ambient temp. thermal resistance (Option)
 Tank temp. thermal resistance (Option)
 Water flow switch (Option)

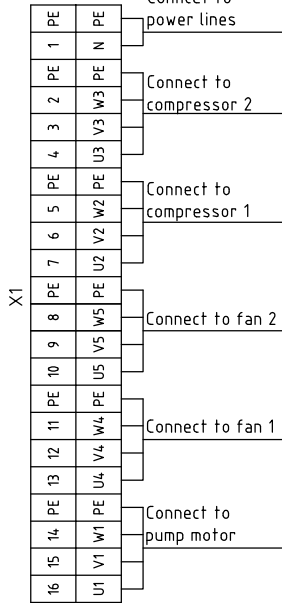
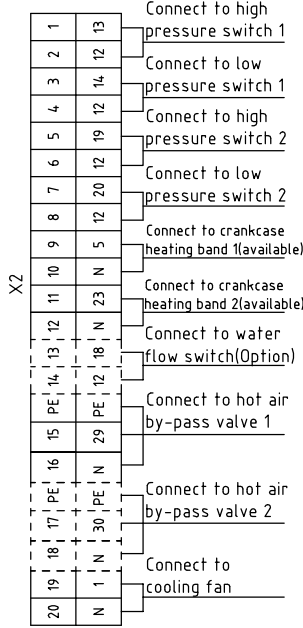
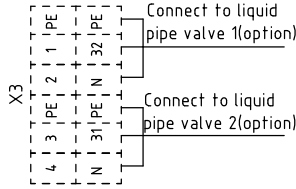
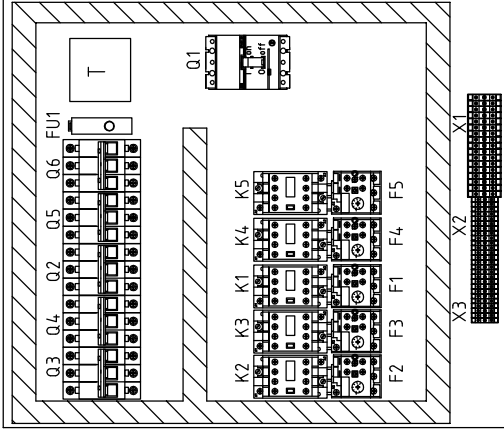
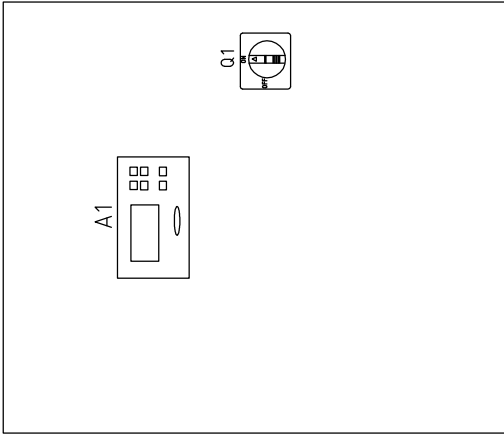


版本 Ver.B

Mark	Before modification	Modified by	Modify date	Checked by	Date	Proofread by	Designer	Drawer	Version	Title	Drawing NO.	Scale	Page
							陆家权	陆家权	A	SIC-75A-R2 Control Circuit Diagram	SIC-75A-R2-CE-4.00V-A-2	Standard	2
Pages	Totally 5												
Voltage	4.00V												
Frequency	50HZ												



1 2 3 4 5 6 7 8

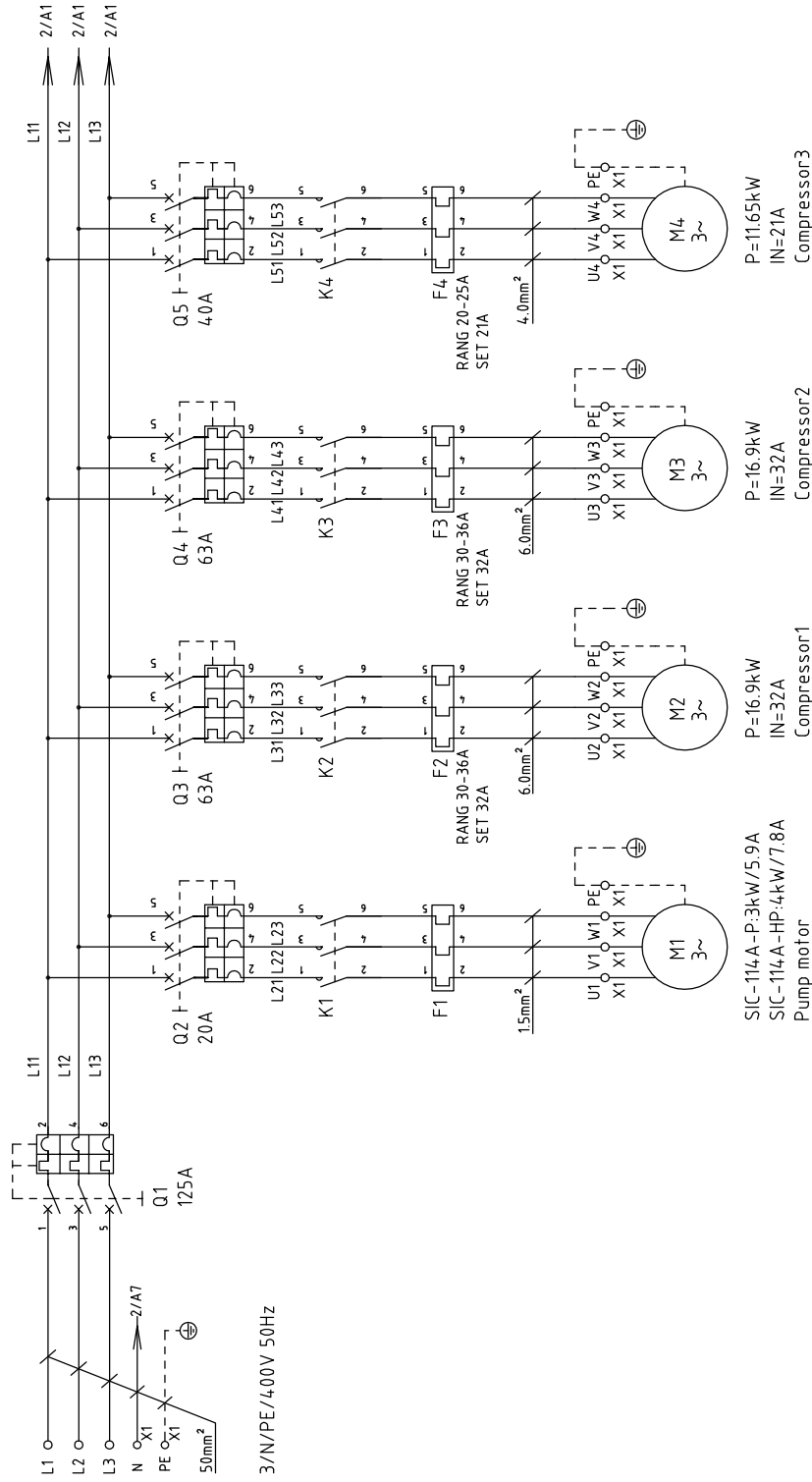


版本 Ver.B

Note: (1)Power cable inler ends L1,L2,L3 directly connected to the breaker interlock, which not pass by the terminal board.
(2)Compressor, pump, solenoid valve, circuit board must be connected to the ground.

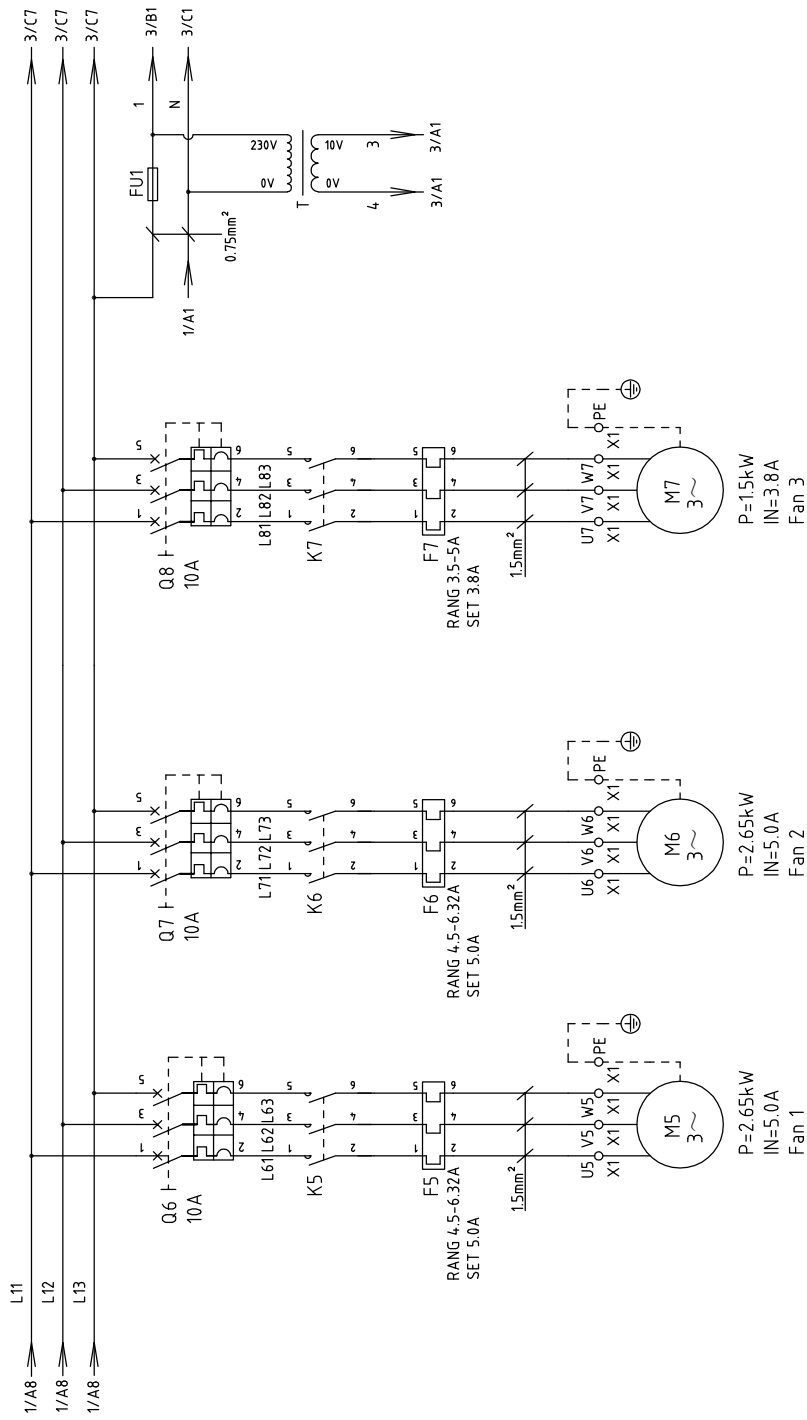
Mark	Before modification	Modified by	Modify date	Checked by	Date	Approved by	Version	A	Title	Drawing NO.		Page	
	After modification	Modified by	Modify date							Scale	Standard		Page
1			20161223		4				SIC-75A-R2	SIC-75A-R2-CE-4,00V-A-3	CE	3	
SHINI 信易电热机械股份有限公司 Shini Plastics Technologies, Inc.										Electrical Components Layout		Totally	5
										Voltage		400V	
										Frequency		50HZ	

1 2 3 4 5 6 7 8



版本 Ver.B

Mark	Before modification	After modification	Modify Date	Checked by	Date	Version	B	Title	Drawing No.		Scale	Page 1	
									SIC-100A-R2				Standard
Main Circuit Diagram 1									SIC-100A-R2-CE-400V-B-1		Voltage	400V	
SHINI 信易电热机械股份有限公司 Shini Plastics Technologies, Inc.									Frequency	50Hz			
												Ver.B	8



版本 Ver.B

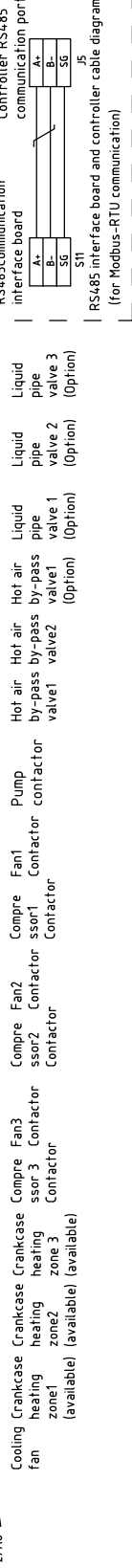
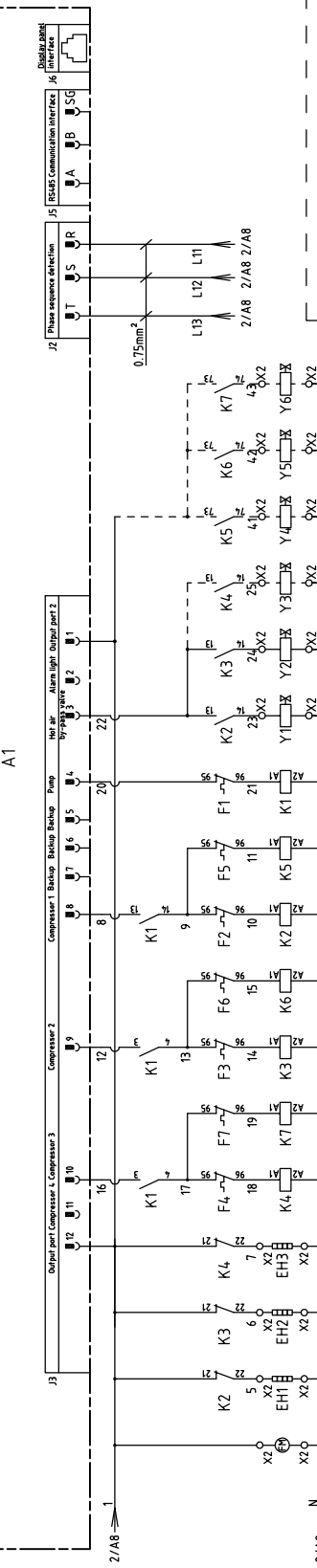
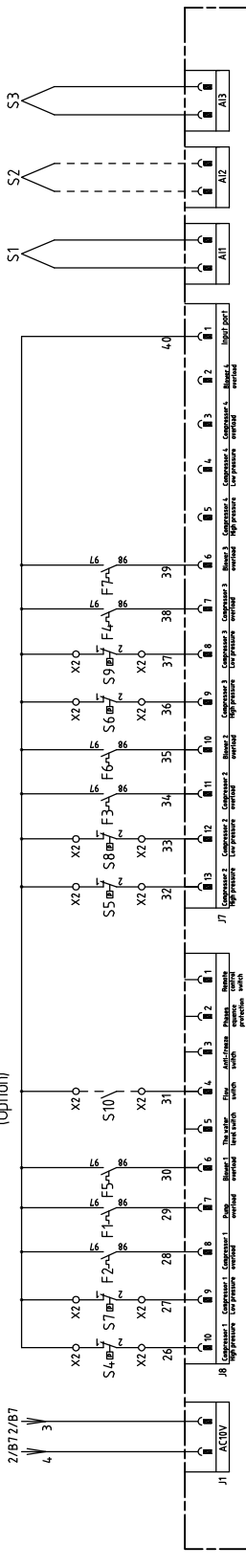
Mark	Before modification	After modification	Modify date	Checked by	Date	20161230
				Proofread by	Approved by	
				Designer	陆家权	
				Drawer	陆家权	

Title		SIC-100A-R2		Drawing NO.	
Main Circuit Diagram 2		SIC-100A-R2-CE-400V-B-2		Scale	
				Standard	
				Voltage	
				Frequency	
				Page	
				Totally	
				Pages	
				4.00V	
				5.0Hz	

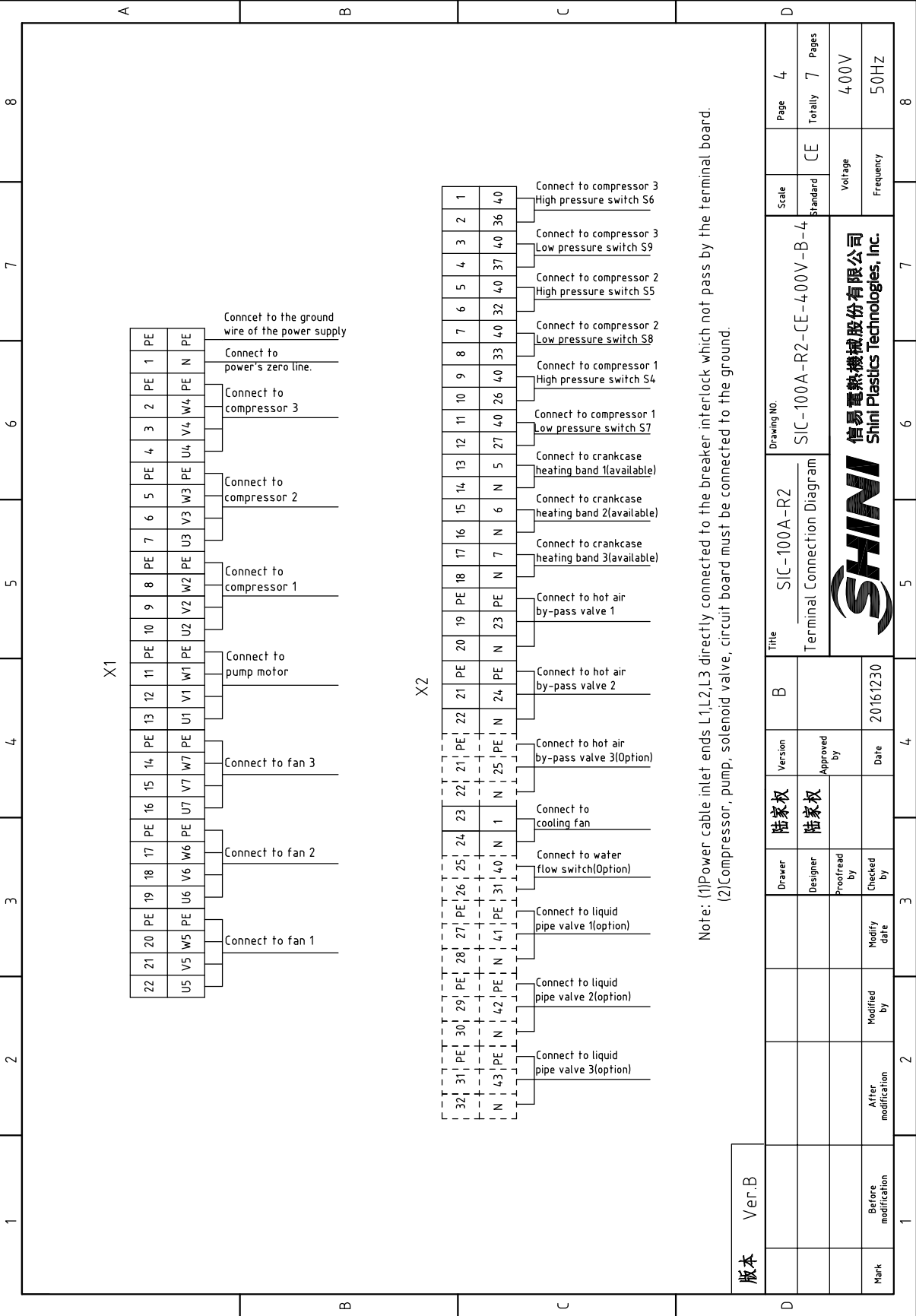


Freezing temp. Ambient temp. Tank temp.
thermal resistance thermal resistance
(Option) (Option) (Option)

Water flow switch
(Option)




版本 Ver.B	Title SIC-100A-R2 Control Circuit Diagram		Drawing NO. SIC-100A-R2-CE-4.00V-B-3		Scale CE	Page 3
	Drawer 陆家权	Version 陆家权	Compre Compre 1	Fan1 Fan1	Compre Compre 2	ssor1 ssor1
Mark Before modification	After modification	Modified by	Modified date	Checked by 20161230	Date	Approved by
Frequency 50Hz	Voltage 4.00V	SHINI 信易塑料机械股份有限公司 Shini Plastics Technologies, Inc.		Standard CE		Totally 7
1	2	3	4	5	6	7

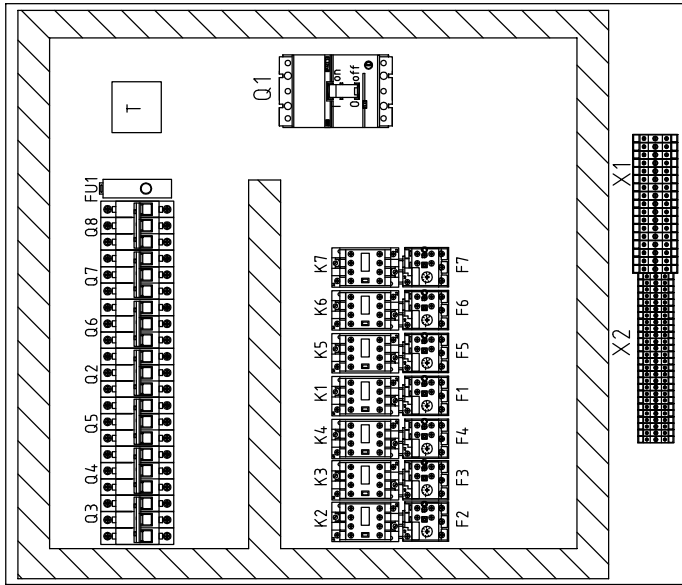
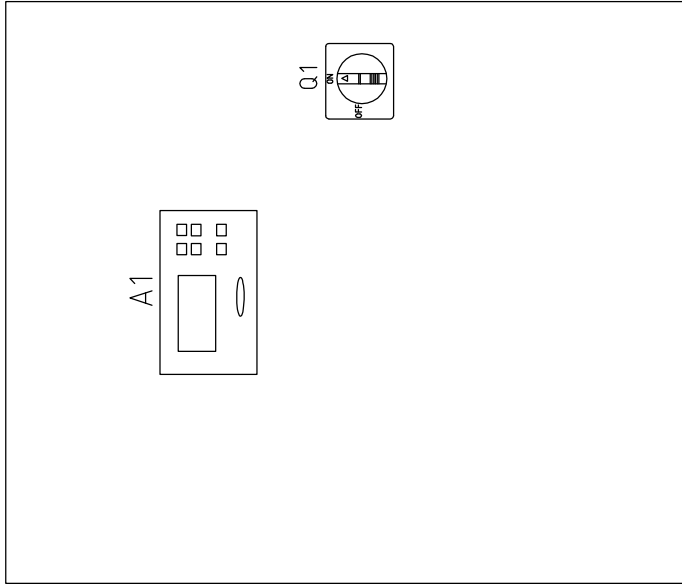


Note: (1)Power cable inlet ends L1,L2,L3 directly connected to the breaker interlock which not pass by the terminal board.
 (2)Compressor, pump, solenoid valve, circuit board must be connected to the ground.

版本 Ver.B

Mark	Before modification	Modified by	Modify date	Checked by	Date	Proofread by	Designer	Version	B	Title	Drawing NO.		Page		
	After modification										SIC-100A-R2	SIC-100A-R2-CE-400V-B-4		4	
Terminal Connection Diagram											Standard	CE	Totally	7	Pages
 信易电热机械股份有限公司 Shini Plastics Technologies, Inc.											Voltage	400V	Frequency	50HZ	
											Scale				

1 2 3 4 5 6 7 8



版本 Ver.B

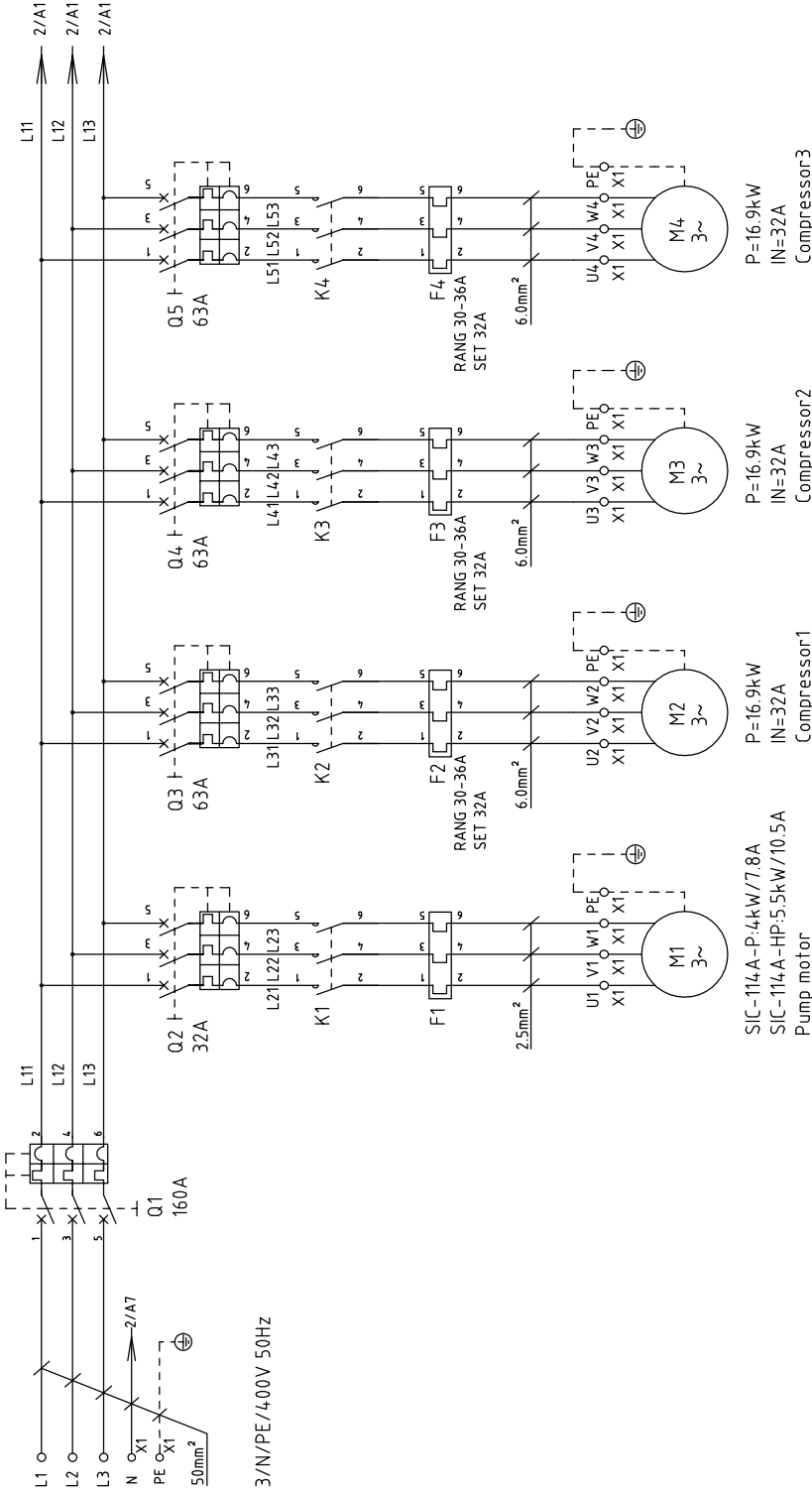
Mark	Before modification	Modified by	Modify date	Checked by	Date	Approved by	Version	B	Title	Drawing NO.	Scale	Page
	After modification	Modified by	Modify date	Checked by	Date	Approved by	Version	B	SIC-100A-R2 Electrical Components Layout	SIC-100A-R2-CE-400V-B-5	Standard	Page 5
<p style="text-align: center;">SHINI 信易电热机械股份有限公司 Shini Plastics Technologies, Inc.</p>												
											CE	Totally 7
											Voltage	400V
											Frequency	50HZ

1 2 3 4 5 6 7 8

1	2		3	4	5	6	7	8
NO.	Symbol	Name	Manufacturer	Type	Specification	Number	Material number	Remark
1	Q1	Breaker interlock	ABB	A1A125TMF125	125A	1	YE41161400000	
2	Q2	Circuit breaker	TECO	BM-63C/3020S	20A	1	YE40302003000	
3	Q3 Q4	Circuit breaker	TECO	BM-63C/3063S	63A	2	YE40306303000	A
4	Q5	Circuit breaker	TECO	BM-63C/3040S	40A	1	YE40304003000	
5	Q6 Q7 Q8	Circuit breaker	TECO	BM-63C/3010S	10A	3	YE40301003000	
6	K1	Contactor	SIEMENS	3RT6016-1AN21	220VAC 50/60Hz	1	YE00601621000	SIC-100A-R2-P
7	K1	Contactor	SIEMENS	3RT6017-1AN21	220VAC 50/60Hz	1	YE00601721000	SIC-100A-R2-HP
8		Auxiliary block	SIEMENS	3RH6911-1HA22	2NO+2NC	1	YE00691100000	
9	K2 K3	Contactor	SIEMENS	3RT6028-1AN20	220VAC 50/60Hz	2	YE00602822000	
10	K4	Contactor	SIEMENS	3RT6027-1AN20	220VAC 50/60Hz	1	YE00602722000	
11		Auxiliary block	SIEMENS	3RH6911-1AA10	1NO	3	YE00691100000	(4)
12	K5 K6 K7	Contactor	SIEMENS	3RT6016-1AN21	220VAC 50/60Hz	3	YE00601621000	B
13	FU1	Fuse	YINDA	FS-10	2A	1	YE41001000000	
14	A1	Controllor	PUNP	SF317502A	AC 10V	1	YE80317500800	
15	S1	Anti-freezing temp. RTD	PUNP	RTD	----	1	----	
16	S3	Water tank temp. RTD	PUNP	RTD	----	1	----	
17	T	Transformer	PUNP	IN=220V OUT=9.8V	----	1	----	
18	F1	Thermo overload relay	SIEMENS	3RU6116-1GB0	4.5-6.32A	1	YE01160450000	SIC-100A-R2-P
19	F1	Thermo overload relay	SIEMENS	3RU6116-1JB0	7-10A	1	YE01167100000	SIC-100A-R2-HP
20	F2 F3	Thermo overload relay	SIEMENS	3RU6126-4PB0	30-36A	2	YE01612630000	
21	F4	Thermo overload relay	SIEMENS	3RU6126-4DB0	20-25A	1	YE01260200000	
22	F5 F6	Thermo overload relay	SIEMENS	3RU6116-1GB0	4.5-6.32A	2	YE01160450000	
23	F7	Thermo overload relay	SIEMENS	3RU6116-1FB0	3.5-5A	1	YE01160350000	
24	S4 S5 S6	HI pressure switch	----	----	----	3	----	(1)
25	S7 S8 S9	L0 pressure switch	----	----	----	3	----	(1)
版本 Ver.B Notes: (1)Means it's not the material inside the control box.(2)Stands for optional the third by-pass valve.(3)Stands for optional water flow switch.(4)Stands for optional liquid pipe valve.								
				Title	SIC-100A-R2	Drawing NO.	Scale	Page
				Electrical Components List 1	SIC-100A-R2-CE-400V-B-6	Standard	Voltage	6
				Designer	陆家权	Approved by	CE	7
				Proofread by	陆家权	Date	Frequency	Pages
				Checked by		20161230	4.00V	4.00V
				Modified by			50Hz	50Hz
				Modify date				
1	2	3	4	5	6	7	8	8
SHINI 信易塑料机械股份有限公司 Shini Plastics Technologies, Inc.								

1	2		3	4	5	6	7	8	
NO.	Symbol	Name	Manufacturer	Type	Specification	Number	Material number	Remark	
26	S10	Water flow switch	----	----	----	1	----	(1)(3)	
27	S11	Communication interface board RS-485 (double Dsub-9pin connector)	----	----	----	1	YE9004.8501200	(1)	
28		Shell RS485(SAL-700G-A-19)0	----	----	----	1	YR4.004.8500000	(1)	
29	X1	Terminal board	----	SK2.5	----	12	YE60002503200		
30		Terminal board	----	GK2.5PE	----	4	YE60002503400		
31		Terminal board	----	GK35PE	----	1	YE60003503500		
32		Terminal board	----	GK35	----	1	YE60003503200		
33		Terminal board	----	GK6	----	6	YE60000603200		
34		Terminal board	----	GK6PE	----	2	YE60000603500		
35		Terminal board	----	GK4	----	3	YE60000403200		
36		Terminal board	----	GK5PE	----	1	YE60000403500		
37	X2	Terminal board	----	SK2.5	----	22	YE60002503200		
38		Terminal board	----	GK2.5PE	----	2	YE60002503400	(1)(2)	
39		Terminal board	----	SK2.5	----	2	YE60002503200	(1)(2)	
40		Terminal board	----	GK2.5PE	----	1	YE60002503400	(1)(2)	
41		Terminal board	----	SK2.5	----	2	YE60002503200	(1)(3)	
42		Terminal board	----	SK2.5	----	6	YE60002503200	(1)(4)	
43		Terminal board	----	GK2.5PE	----	3	YE60002503400	(1)(4)	
44	Y1 Y2	Solenoid valve	----	----	230V 50/60Hz	2	----	(1)	
45	Y3	Solenoid valve	----	----	230V 50/60Hz	1	----	(1)(2)	
46	Y4 Y5 Y6	Solenoid valve	----	----	230V 50/60Hz	3	----	(1)(4)	
47	M1	Pump motor	----	----	400V 50/60Hz 3KW	1	SIC-100A-R2-P	(1)	
48	M1	Pump motor	----	----	400V 50/60Hz 4KW	1	SIC-100A-R2-HP	(1)	
49	M2 M3	Compressor	----	----	400V 50/60Hz 16.9kW	2	----	(1)	
50	M4	Compressor	----	----	400V 50/60Hz 11.65kW	1	----	(1)	
版本 Ver.B		Notes: (1)Means it's not the material inside the control box.(2) Stands for optional the third by-pass valve. (3)Stands for optional water flow switch.(4)Stands for optional liquid pipe valve.			Title SIC-100A-R2 Electrical Components List 2		Drawing NO. SIC-100A-R2-CE-400V-B-7		Page 7
Mark		Before modification	Modified by	Modified date	Checked by	Date	Voltage Frequency		Totally 7 Pages 4.00V 5.0Hz
1		2		3	4	5	6	7	8





SIC-114A-P:4.4kW/7.8A
 SIC-114A-HP:5.5kW/10.5A
 Pump motor

P=16.9kW
 IN=32A
 Compressor1

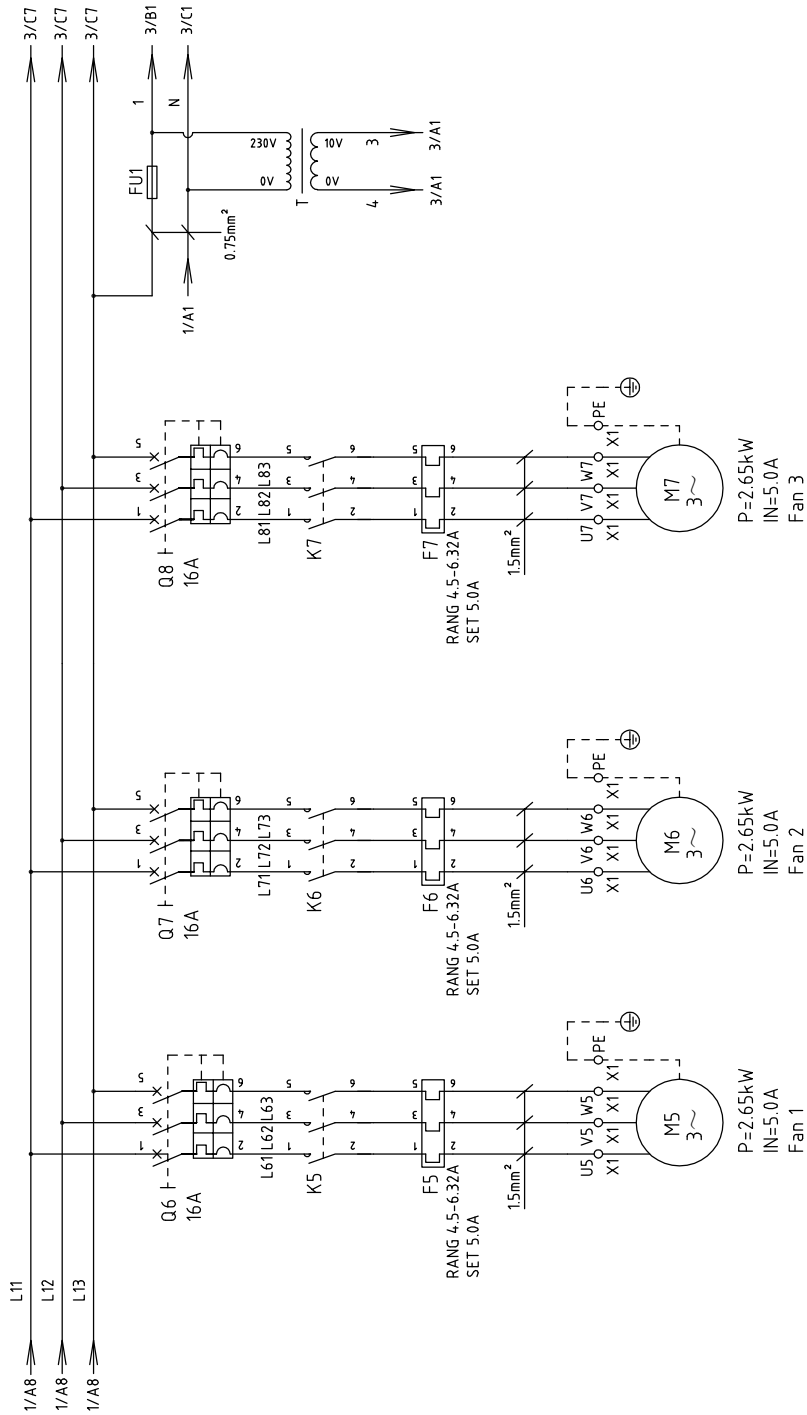
P=16.9kW
 IN=32A
 Compressor2

P=16.9kW
 IN=32A
 Compressor3

版本 Ver.B

Mark	Before modification	Modified by	Modify Date	Checked by	Date	Approved by	Version	B	Title	SIC-114A-R2 Main Circuit Diagram 1	Drawing NO.	SIC-114A-R2-CE-400V-B-1	Scale	Page 1
	After modification	Modified by	Modify Date										Standard	Totally 7
													Voltage	4.00V
													Frequency	50Hz
													Standard	CE
													Page	1
													Totally	7
													Pages	7



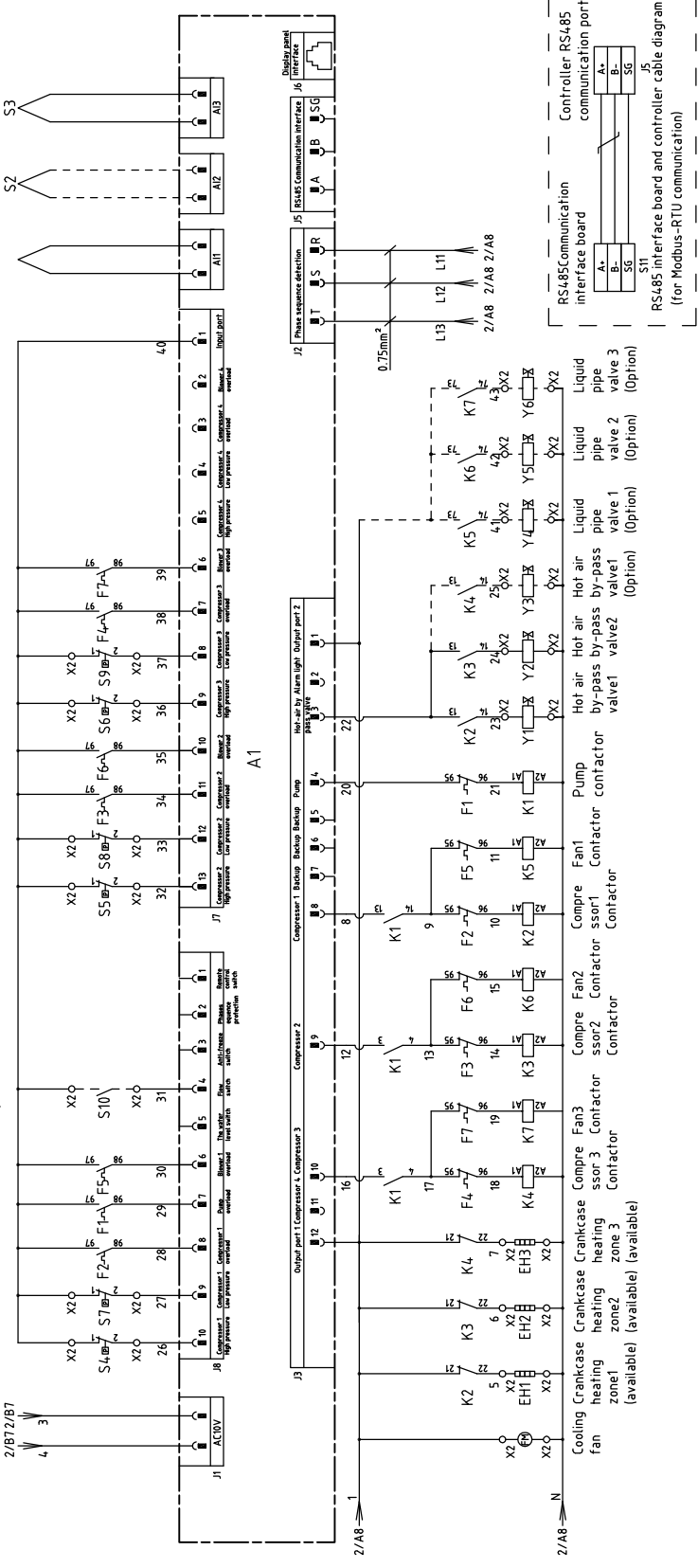


版本 Ver.B

Mark	Before modification	After modification	Modified by	Modify date	Checked by	Date	Approved by	Version	B	Drawer	陆家权	Title		Scale	Page		
												SIC-114A-R2	2			2	
SHINI												SIC-114A-R2-CE-4.00V-B-2		Standard	CE	Totally	7
信易电热机械股份有限公司 Shini Plastics Technologies, Inc.												Voltage		4.00V			
												Frequency		50HZ			
												Page		2			
												Standard		CE			
												Voltage		4.00V			
												Frequency		50HZ			
												Page		2			
												Standard		CE			
												Voltage		4.00V			
												Frequency		50HZ			
												Page		2			
												Standard		CE			
												Voltage		4.00V			
												Frequency		50HZ			
												Page		2			
												Standard		CE			
												Voltage		4.00V			
												Frequency		50HZ			
												Page		2			
												Standard		CE			
												Voltage		4.00V			
												Frequency		50HZ			
												Page		2			
												Standard		CE			
												Voltage		4.00V			
												Frequency		50HZ			
												Page		2			
												Standard		CE			
												Voltage		4.00V			
												Frequency		50HZ			
												Page		2			
												Standard		CE			
												Voltage		4.00V			
												Frequency		50HZ			
												Page		2			
												Standard		CE			
												Voltage		4.00V			
												Frequency		50HZ			
												Page		2			
												Standard		CE			
												Voltage		4.00V			
												Frequency		50HZ			
												Page		2			
												Standard		CE			
												Voltage		4.00V			
												Frequency		50HZ			
												Page		2			
												Standard		CE			
												Voltage		4.00V			
												Frequency		50HZ			
												Page		2			
												Standard		CE			
												Voltage		4.00V			
												Frequency		50HZ			
												Page		2			
												Standard		CE			
												Voltage		4.00V			
												Frequency		50HZ			
												Page		2			
												Standard		CE			
												Voltage		4.00V			
												Frequency		50HZ			
												Page		2			
												Standard		CE			
												Voltage		4.00V			
												Frequency		50HZ			
												Page		2			
												Standard		CE			
												Voltage		4.00V			
												Frequency		50HZ			
												Page		2			
												Standard		CE			
												Voltage		4.00V			
												Frequency		50HZ			
												Page		2			
												Standard		CE			
												Voltage		4.00V			
												Frequency		50HZ			
												Page		2			
												Standard		CE			
												Voltage		4.00V			
												Frequency		50HZ			
												Page		2			
												Standard		CE			
												Voltage		4.00V			
												Frequency		50HZ			
												Page		2			
												Standard		CE			
												Voltage		4.00V			
												Frequency		50HZ			
												Page		2			
												Standard		CE			
												Voltage		4.00V			
												Frequency		50HZ			
												Page		2			
												Standard		CE			
												Voltage		4.00V			
												Frequency		50HZ			
												Page		2			
												Standard		CE			
												Voltage		4.00V			
												Frequency		50HZ			
												Page		2			
												Standard		CE			
												Voltage		4.00V			
												Frequency		50HZ			
												Page		2			
												Standard		CE			
												Voltage		4.00V			
												Frequency		50HZ			
												Page		2			
												Standard		CE			
												Voltage		4.00V			
												Frequency		50HZ			
												Page		2			
												Standard		CE			
												Voltage		4.00V			
												Frequency		50HZ			
												Page		2			
												Standard		CE			
												Voltage		4.00V			
												Frequency		50HZ			
												Page		2			
												Standard		CE			
												Voltage		4.00V			
												Frequency		50HZ			
												Page		2			
												Standard		CE			
												Voltage		4.00V			
												Frequency		50HZ			
												Page		2			
												Standard		CE			
												Voltage		4.00V			
												Frequency		50HZ			
												Page		2			
												Standard		CE			
												Voltage		4.00V			
												Frequency		50HZ			
												Page		2			
												Standard		CE			
												Voltage		4.00V			
												Frequency		50HZ			
												Page		2			
												Standard		CE			
												Voltage		4.00V			
												Frequency		50HZ			
												Page		2			
												Standard		CE			
												Voltage		4.00V			
												Frequency		50HZ			
												Page		2			
												Standard		CE			
												Voltage		4.00V			
												Frequency		50HZ			
												Page		2			
												Standard		CE			
												Voltage		4.00V			
												Frequency		50HZ			
												Page		2			
												Standard		CE			
												Voltage		4.00V			
												Frequency		50HZ			
												Page		2			
												Standard		CE			
												Voltage		4.00V			
												Frequency		50HZ			
												Page		2			
												Standard		CE			
												Voltage		4.00V			
												Frequency		50HZ			
												Page		2			
												Standard		CE			
												Voltage		4.00V			
												Frequency		50HZ			
												Page		2			
												Standard		CE			
												Voltage		4.00V			
												Frequency		50HZ			
												Page		2			
												Standard		CE			
												Voltage		4.00V			
												Frequency		50HZ			
												Page		2			
												Standard		CE			
												Voltage		4.00V			
												Frequency		50HZ			
												Page		2			
												Standard		CE			
												Voltage		4.00V			
												Frequency		50HZ			
												Page		2			
												Standard		CE			
												Voltage		4.00V			
												Frequency		50HZ			
												Page		2			
												Standard		CE			
												Voltage		4.00V			
												Frequency		50HZ			
												Page		2			
												Standard		CE			
												Voltage		4.00V			
												Frequency		50HZ			
												Page		2			
												Standard		CE			
												Voltage		4.00V			
												Frequency		50HZ			
												Page		2			
												Standard		CE			
												Voltage		4.00V			
												Frequency		50HZ			
												Page		2			
												Standard		CE			
												Voltage		4.00V			
												Frequency		50HZ			
												Page		2			
												Standard		CE			
												Voltage		4.00V			
												Frequency		50HZ			
												Page		2			
												Standard		CE			
												Voltage		4.00V			
												Frequency		50HZ			
												Page		2			
												Standard		CE			
												Voltage		4.00V			
												Frequency		50HZ			
												Page		2			
												Standard		CE			
												Voltage		4.00V			
												Frequency		50HZ			
												Page		2			
												Standard		CE			
												Voltage		4.00V			
												Frequency		50HZ			
												Page		2			
												Standard		CE			
												Voltage		4.00V			
												Frequency		50HZ			
												Page		2			
												Standard		CE			
												Voltage		4.00V			
												Frequency		50HZ			
												Page		2			
												Standard		CE			
												Voltage		4.00V			
												Frequency		50HZ			
												Page		2			
												Standard		CE			
												Voltage		4.00V			
												Frequency		50HZ			
												Page		2			
												Standard		CE			
												Voltage		4.00V			
												Frequency		50HZ			
												Page		2			
												Standard		CE			
												Voltage		4.00V			
												Frequency		50HZ			
												Page		2			
												Standard		CE			
												Voltage		4.00V			
												Frequency		50HZ			
												Page		2			
												Standard		CE			
												Voltage		4.00V			
												Frequency		50HZ			
												Page		2			
												Standard		CE			
												Voltage		4.00V			
												Frequency		50HZ			
												Page		2			
												Standard		CE			
												Voltage		4.00V			
												Frequency		50HZ			
												Page		2			
												Standard		CE			
												Voltage		4.00V			
												Frequency		50HZ			
												Page		2			
												Standard		CE			
												Voltage		4.00V			
												Frequency		50HZ			
												Page		2			
												Standard		CE			
												Voltage		4.00V			
												Frequency		50HZ			
												Page		2			
												Standard		CE			
												Voltage		4.00V			
												Frequency		50HZ			
												Page		2			
												Standard		CE			
												Voltage		4.00V			
												Frequency		50HZ			
												Page		2			
												Standard		CE			
												Voltage		4.00V			
												Frequency		50HZ			
												Page		2			
												Standard		CE			
												Voltage		4.00V			
												Frequency		50HZ			
												Page		2			
												Standard		CE			
												Voltage		4.00V			
												Frequency		50HZ			
												Page		2			
												Standard		CE			
												Voltage					

Freezing temp. thermal resistance (Option)
Ambient temp. thermal resistance (Option)
Tank temp. thermal resistance (Option)

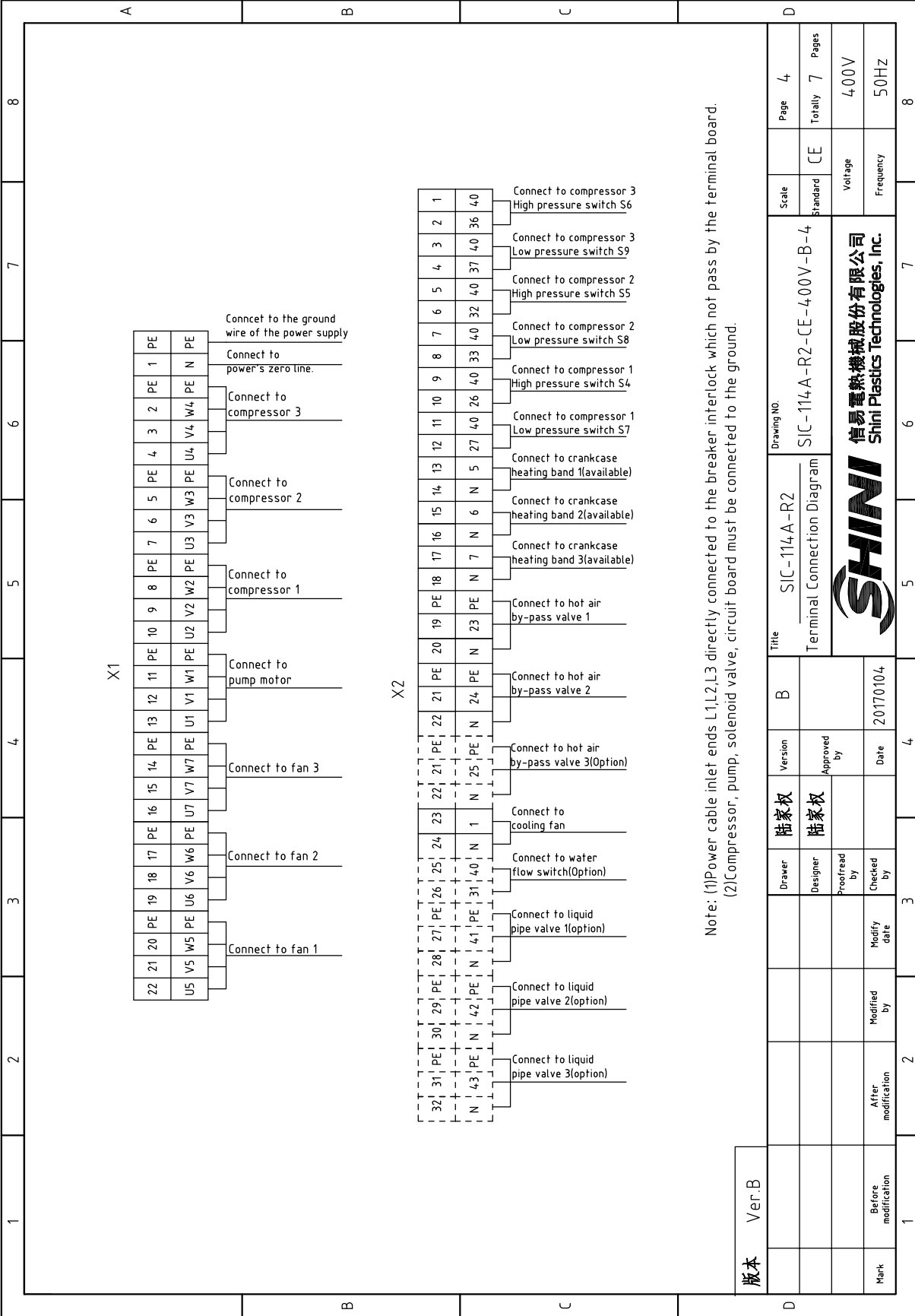
Water flow switch (Option)



版本 Ver.B

Title		SIC-114A-R2		Drawing NO.		SIC-114A-R2-CE-400V-B-3	
Version		B		Standard		CE	
Designer		陆家权		Voltage		400V	
Proofread by		陆家权		Frequency		50Hz	
Checked by		Date		Page		3	
Modified by		Date		Totally		7	
Before modification		Date		Pages		400V	
Mark		Date		Frequency		50Hz	





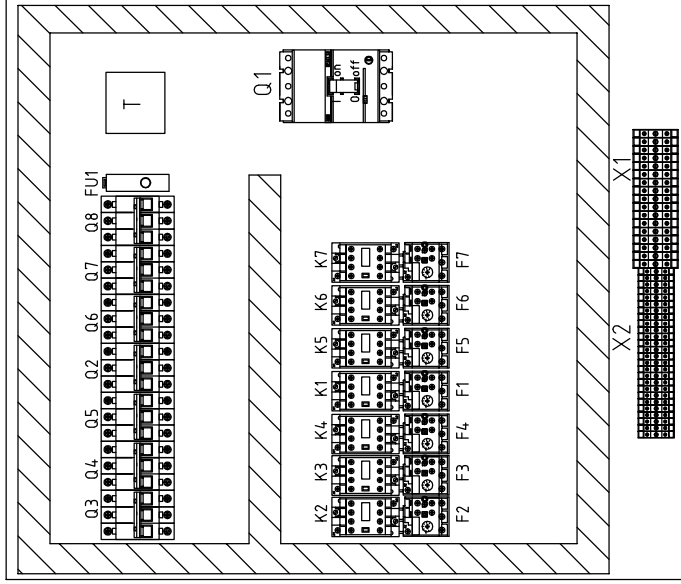
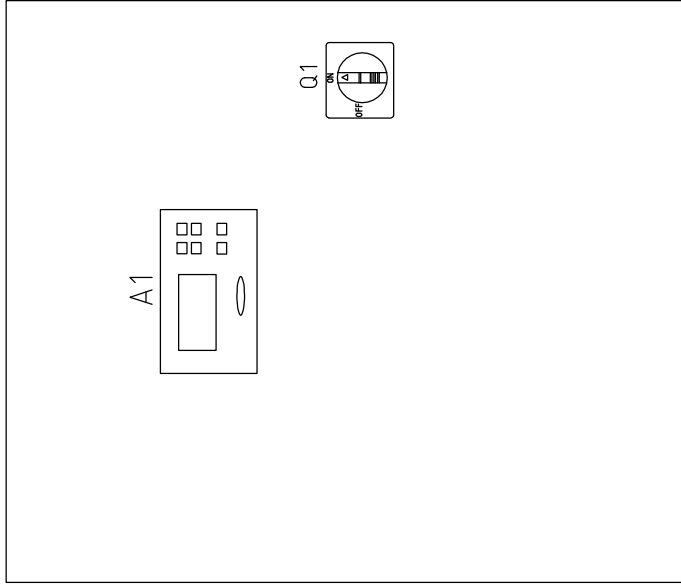
Note: (1)Power cable inlet ends L1,L2,L3 directly connected to the breaker interlock which not pass by the terminal board.
 (2)Compressor, pump, solenoid valve, circuit board must be connected to the ground.

版本	Ver.B
Mark	Before modification
Modified by	
Modify date	
Checked by	20170104
Proofread by	
Designer	陆家权
Approved by	
Version	B

Scale	Standard	Page	4
	CE	Totally	7
Voltage	4.00V		
Frequency	50Hz		

Terminal Connection Diagram	SIC-114A-R2	Drawing NO.	SIC-114A-R2-CE-4.00V-B-4
 信易塑料机械股份有限公司 Shini Plastics Technologies, Inc.		Page	4
		Totally	7

1 2 3 4 5 6 7 8



版本 Ver.B

Mark	Before modification	After modification	Modified by	Modify date	Checked by	Date	20170104
			Proofread by		Approved by		
			Designer	陆家权	Version	B	
			Drawer	陆家权	Title		

Drawing NO.		SIC-114A-R2		SIC-114A-R2-CE-400V-B-5		Scale		Page	
Electrical Components Layout		Electrical Components Layout		CE		Standard		5	
Voltage		400V		Frequency		50Hz		Totally	
								7	
								Pages	
								7	

SHINI
 信易电热机械股份有限公司
 Shini Plastics Technologies, Inc.

1 2 3 4 5 6 7 8

1	2		3	4	5	6	7	8	
NO.	Symbol	Name	Manufacturer	Type	Specification	Number	Material number	Remark	
1	Q1	Breaker interlock	ABB	A2B250TMF160	160A	1	YE41161500000		
2	Q2	Circuit breaker	TECO	BM-63C/3032S	32A	1	YE40303203000		
3	Q3 Q4 Q5	Circuit breaker	TECO	BM-63C/3063S	63A	3	YE40306303000	A	
4	Q6 Q7 Q8	Circuit breaker	TECO	BM-63C/3016S	16A	3	YE40301603000		
5	K1	Contacto	SIEMENS	3RT6016-1AN21	220VAC 50/60Hz	1	YE00601621000	SIC-114A-R2-P	
6	K1	Contacto	SIEMENS	3RT6017-1AN21	220VAC 50/60Hz	1	YE00601721000	SIC-114A-R2-HP	
7		Auxiliary block	SIEMENS	3RH6911-1HA22	2NO+2NC	1	YE00691100000		
8	K2 K3 K4	Contacto	SIEMENS	3RT6028-1AN20	220VAC 50/60Hz	3	YE00602822000		
9		Auxiliary block	SIEMENS	3RH6911-1AA10	1NO	3	YE00691100000	(4)	
10	K5 K6 K7	Contacto	SIEMENS	3RT6016-1AN21	220VAC 50/60Hz	3	YE00601621000		
11	FU1	Fuse	YINDA	FS-10	2A	1	YE41001000000	B	
12	A1	Controllor	PUNP	SF3T502A	AC 10V	1	YE80317500800		
13	S1	Anti-freezing temp. RTD	PUNP	RTD	----	1	----		
14	S3	Water tank temp. RTD	PUNP	RTD	----	1	----		
15	T	Transformer	PUNP	IN=220V OUT=9.8V	----	1	----		
16	F1	Thermo overload relay	SIEMENS	3RU6116-1JB0	7-10A	1	YE01167100000	SIC-114A-R2-P	
17	F1	Thermo overload relay	SIEMENS	3RU6116-1KB0	9-12.5A	1	YE01169125000	SIC-114A-R2-HP	
18	F2 F3 F4	Thermo overload relay	SIEMENS	3RU6126-4PB0	30-36A	3	YE01612630000		
19	F5 F6 F7	Thermo overload relay	SIEMENS	3RU6116-1HB0	5.5-8A	3	YE01160550000	C	
20	S4 S5 S6	HI pressure switch	----	----	----	3	----	(1)	
21	S7 S8 S9	L0 pressure switch	----	----	----	3	----	(1)	
22	S10	Water flow switch	----	----	----	1	----	(1)(3)	
23	S11	Communication interface board RS-485 (double Dsub-9pin connector)	----	----	----	1	YE90048501200	(1)	
24		Shell RS485(SAL-700G-A-19)0	----	----	----	1	YR40048500000	(1)	
25	X1	Terminal board	----	SK2.5	----	12	YE60002503200		
概本 Ver.B		Notes: (1)Means it's not the material inside the control box.(2) S stands for optional the third by-pass valve. (3)S stands for optional water flow switch.(4)S stands for optional liquid pipe valve.		Title		Drawing NO.		Page	
		陆家权		SIC-114A-R2		SIC-114A-R2-CE-4.00V-B-6		6	
		陆家权		Electrical Components List 1		CE		7	
		Proofread by		Approved by		Voltage		4.00V	
		Checked by		Date		Frequency		5.0Hz	
Mark		Before modification		After modification		Modified by		Modified date	
		20170104							
1	2	3	4	5	6	7	8		



