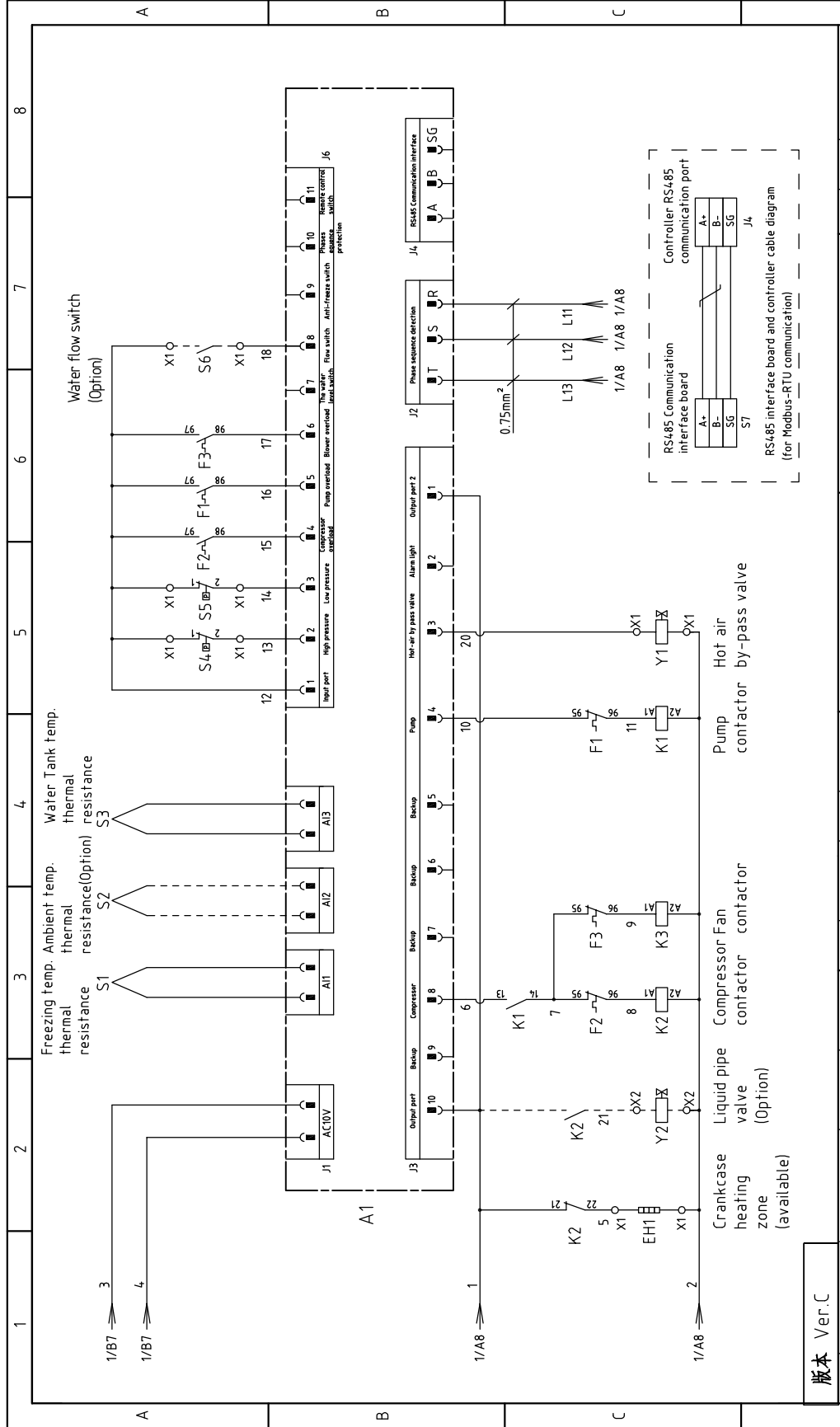


版本 Ver C

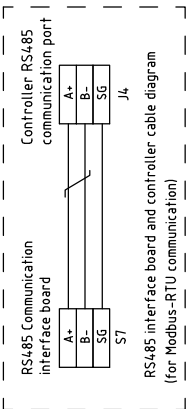
Drawing NO.		SIC-7.5A-R2		Page 1	
Title		Main Circuit Diagram		Scale	
Version		A		Standard	
Designer		Approved by		Voltage	
Proofread by		Date		Frequency	
Checked by		2016/11/23		230V	
Modified by		Modify Date		60Hz	
After modification		Mark		Totally 5 Pages	
Before modification		1		CE	
1		2		8	
2		3		7	
3		4		6	
4		5		5	
5		6		8	
6		7		8	
7		8		8	

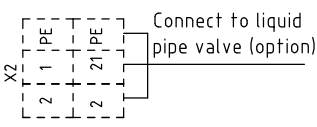
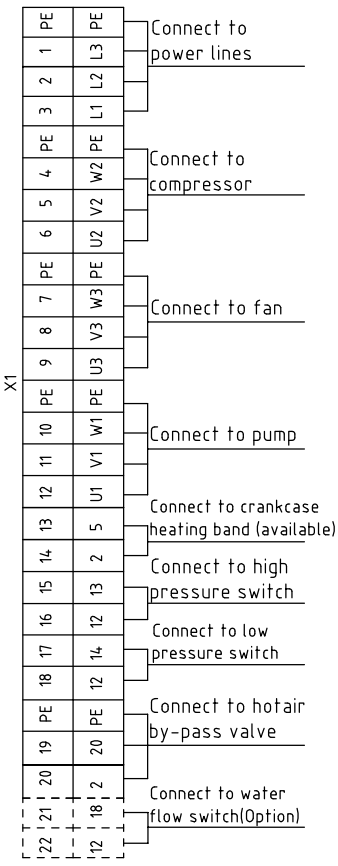
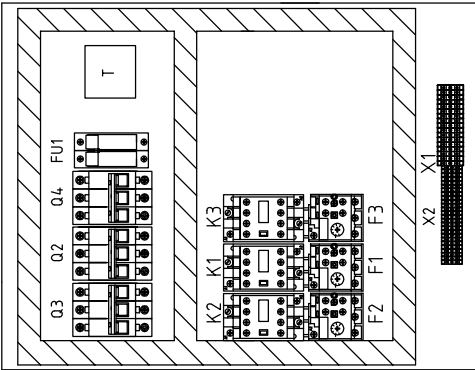
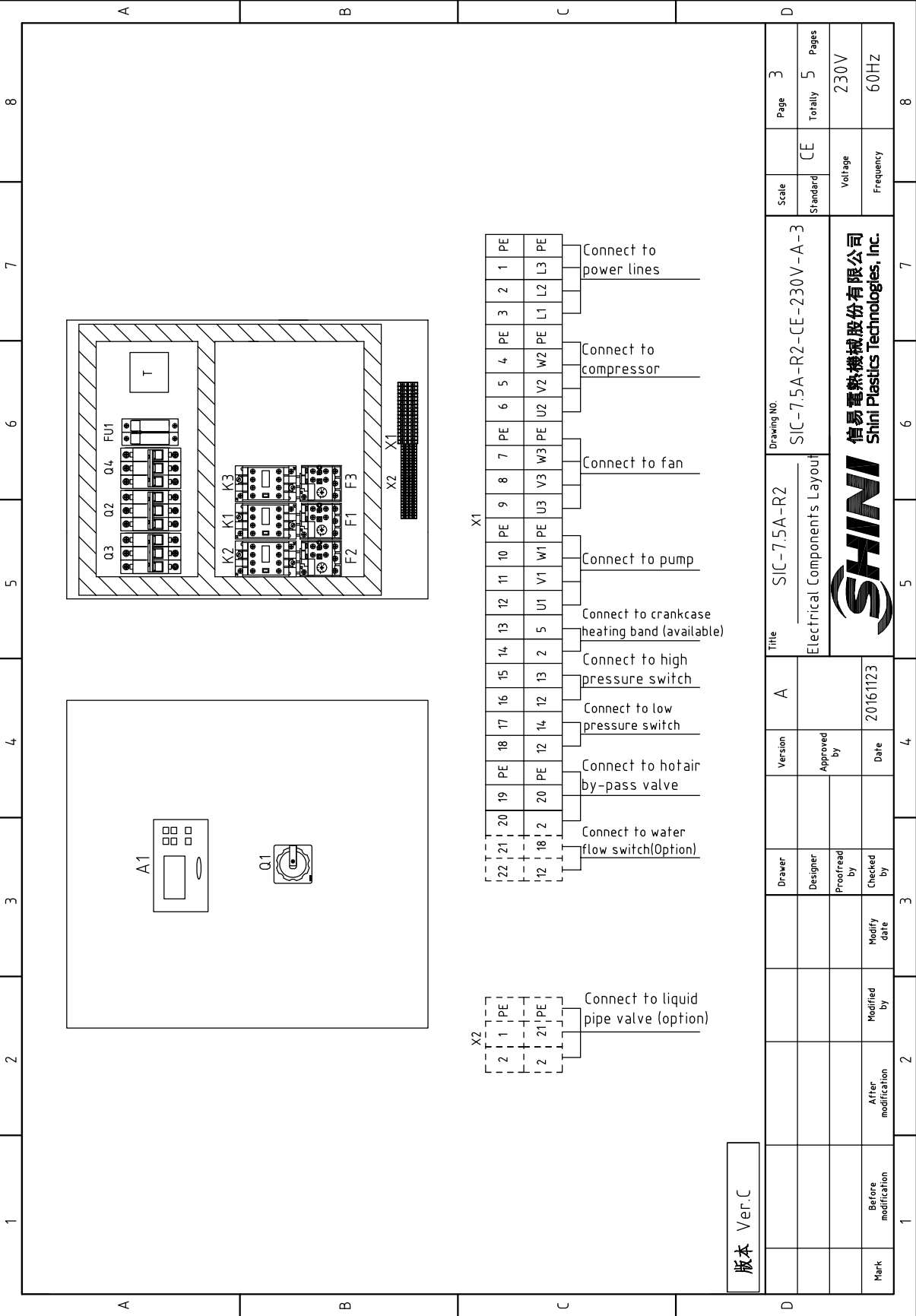




版本 Ver.C

Drawing NO.		SIC-7.5A-R2		Page 2			
Title		Control Circuit Diagram		Standard CE			
Version		A		Voltage 230V			
Designer		Approved by		Frequency 60Hz			
Proofread by		Date 20161027		Totally 5 Pages			
Checked by		Modify Date		Page 2			
After modification		Modified by		Voltage			
Before modification		Mark		Frequency			
1	2	3	4	5	6	7	8





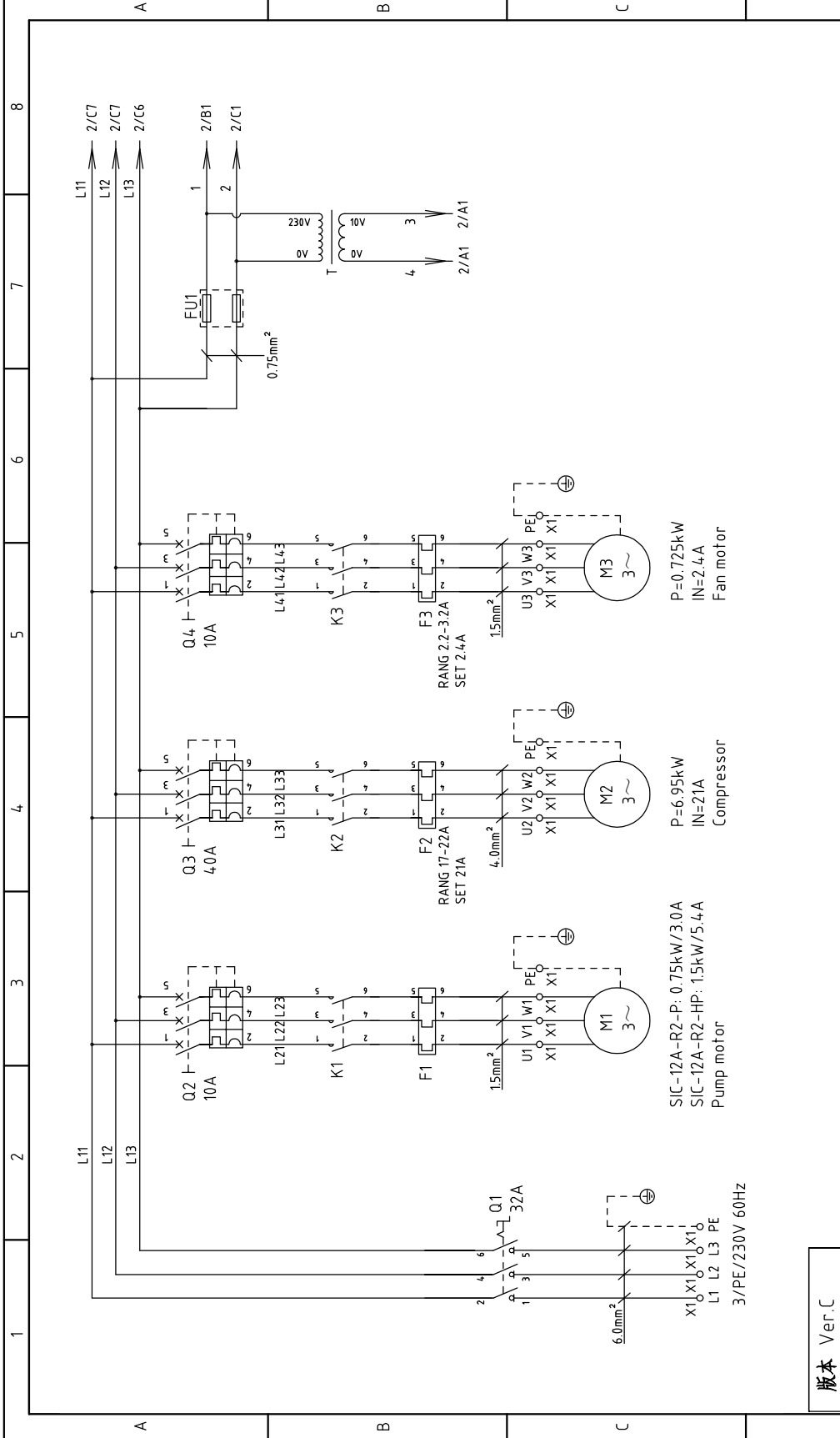
版本 Ver.C

Scale	Page	3
Standard	Totally	5
Voltage	Frequency	230V 60Hz
Drawing NO. SIC-7.5A-R2-CE-230V-A-3		
Title SIC-7.5A-R2 Electrical Components Layout		
Version	Approved by	Date
A		20161123
Drawer	Designer	Proofoad by
		Checked by
		Modify Date
Mark	Before modification	After modification
1	2	3
4	5	6
7	8	9



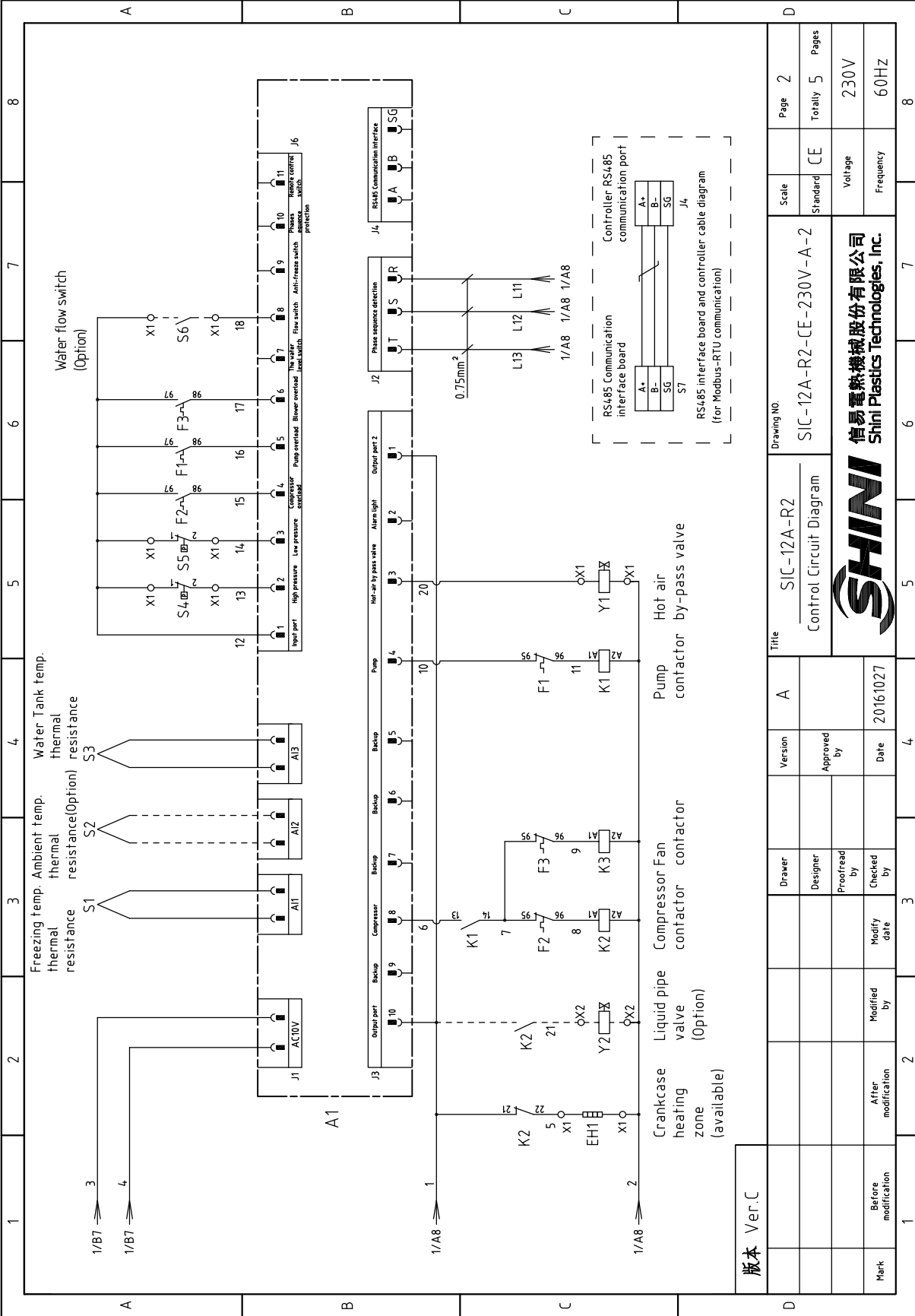
1	2		3	4	5	6	7	8	
NO.	Symbol	Name	Manufacturer	Type	Specification	Number	Material number	Remark	
1	Q1	Main switch	EATON	P1-32/EA/SVB	32A	1	YE10323200000		
2	Q2	Circuit breaker	TECO	BM-63C/3016S	16A	1	YE40301603000		
3	Q3	Circuit breaker	TECO	BM-63C/3032S	32A	1	YE40303203000	A	
4	Q4	Circuit breaker	TECO	BM-63C/3006S	6A	1	YE40300603000		
5	K1	Contacto	SIEMENS	3RT6016-1AN21	220VAC 50/60Hz	1	YE00601621000		
6	K2	Contacto	SIEMENS	3RT6026-1AN20	220VAC 50/60Hz	1	YE00602622000		
7	K3	Contacto	SIEMENS	3RT6016-1AN21	220VAC 50/60Hz	1	YE00601621000		
8	F1	Thermo overload relay	SIEMENS	3RU6116-1DB0	2.2-3.2A	1	YE01160220000	SIC-7.5A-R2-P	
9	F1	Thermo overload relay	SIEMENS	3RU6116-1GB0	4.5-6.32A	1	YE01160450000	SIC-7.5A-R2-HF	
10	F2	Thermo overload relay	SIEMENS	3RU6126-4BB0	14-20A	1	YE01260140000		
11	F3	Thermo overload relay	SIEMENS	3RU6116-0JB0	0.7-1A	1	YE01160700000	B	
12	FU1	Fuse base	CHNT	RT18-32	32A 2P	1	YE41032200000		
13		Fuse core	MRO	10x38 500V	2A	2	YE46002000100		
14	A1	Controllor	PUNP	SF317500A	AC 10V	1	YE80000100900		
15	S1	Anti-freezing temp. RTD	PUNP	RTD	----	1	----	With controller	
16	S3	Water tank temp. RTD	PUNP	RTD	----	1	----	With controller	
17	T	Transformer	PUNP	IN=220V OUT=9.8V	----	1	----	With controller	
18	S4	HI pressure switch	----	----	----	1	----	(1)	
19	S5	LO pressure switch	----	----	----	1	----	(1)	
20	S6	Water flow switch	----	----	----	1	----	(1),(3)	
21	S7	Communication interface board RS-485 (double Dsub-9pin connector)	----	----	----	1	YE900048501200	(1)	
22		External shellRS485(SAL-700G-A-1910)	----	----	----	1	YR40048500000	(1)	
23	X1	Terminal board	HONEYWELL	4mm ²	----	6	YE60000403200		
24		Terminal board	HONEYWELL	4mm ² PE	----	2	YE60000403500		
25		Terminal board	HONEYWELL	2.5mm ²	----	14	YE60002503200		
版本		Ver.C		Notes: (1)Means it's not the material inside the control box.(2) Stands for optional liquid pipe valve.(3)Stands for optional water flow switch					
				Title		Drawing NO.		Page	
				SIC-7.5A-R2		SIC-7.5A-R2-CE-230V-A-4		4	
				Electrical Components List 1		Standard		CE	
				Version		Scale		Voltage	
				A				230V	
				Designer		Approved by		Totally	
				Proofofread by		Date		5	
				Checked by		20161123		Pages	
				Modified by				Frequency	
				Modify Date				60Hz	
Mark		Before modification		After modification					
1	2		3	4	5	6	7	8	





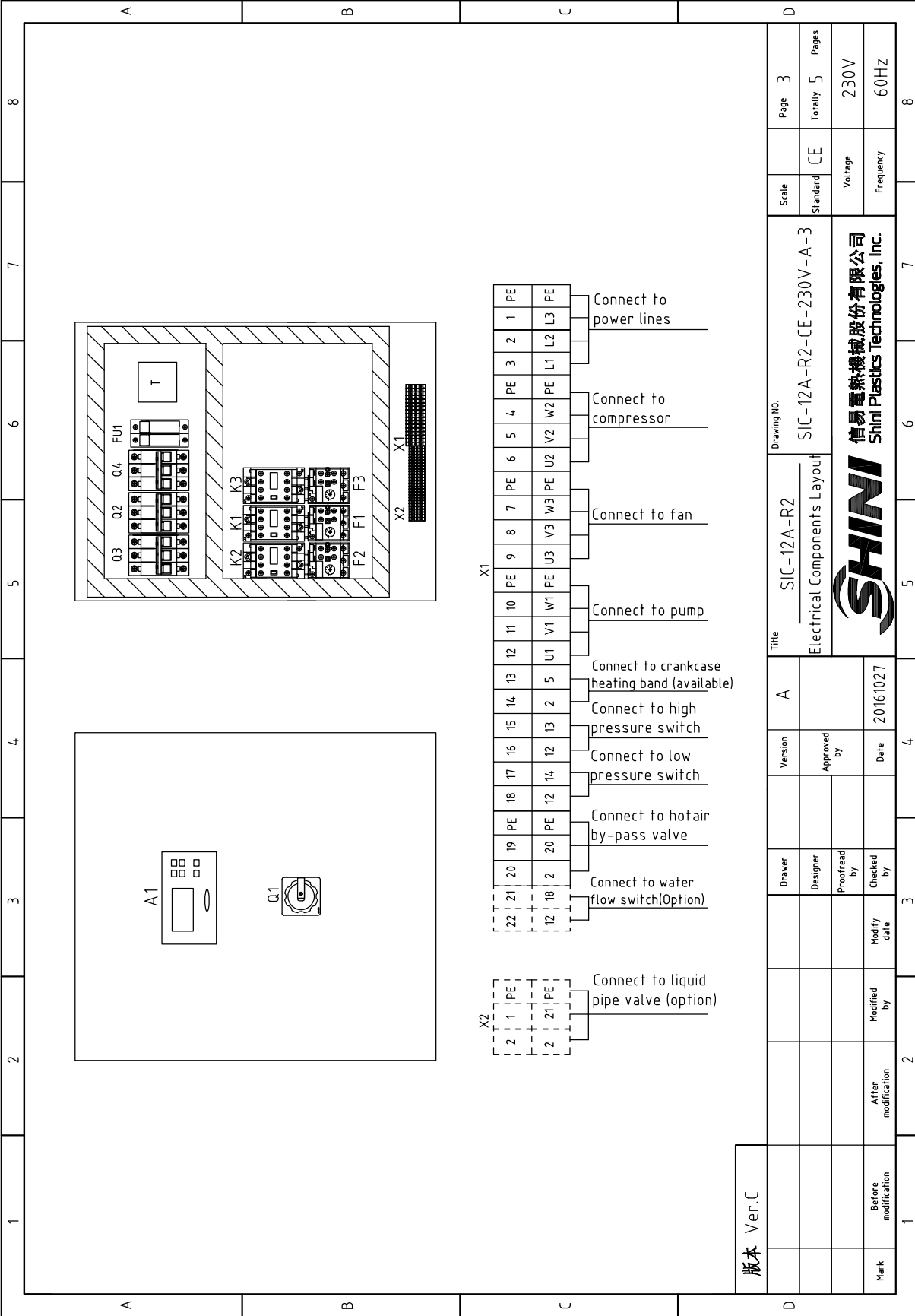
版本 Ver.C

Drawing NO.		SIC-12A-R2-CE-230V-A-1		Page 1
Title		SIC-12A-R2		Scale
Version		A		Standard
Approved by				CE
Proofofread by				Voltage
Checked by				Frequency
Modified by				230V
After modification				60Hz
Mark	Before modification	Modify Date	Date	20161027
SHINI		信易電熱機械股份有限公司		Shini Plastics Technologies, Inc.
1		2		3
4		5		6
7		8		8



版本 Ver.C

Drawing NO.		SIC-12A-R2		Page 2	
Title		Control Circuit Diagram		Scale	
Version		A		Standard	
Designer		Approved by		Voltage	
Proffread by		Date		Frequency	
Checked by		20161027		230V	
Modified by		Modify Date		60HZ	
Before modification		Mark		Totally 5 Pages	
1		2		3	
4		5		6	
7		8		9	
10		11		12	
13		14		15	
16		17		18	
19		20		21	
22		23		24	
25		26		27	
28		29		30	
31		32		33	
34		35		36	
37		38		39	
40		41		42	
43		44		45	
46		47		48	
49		50		51	
52		53		54	
55		56		57	
58		59		60	
61		62		63	
64		65		66	
67		68		69	
70		71		72	
73		74		75	
76		77		78	
79		80		81	
82		83		84	
85		86		87	
88		89		90	
91		92		93	
94		95		96	
97		98		99	
100		101		102	
103		104		105	
106		107		108	
109		110		111	
112		113		114	
115		116		117	
118		119		120	
121		122		123	
124		125		126	
127		128		129	
130		131		132	
133		134		135	
136		137		138	
139		140		141	
142		143		144	
145		146		147	
148		149		150	
151		152		153	
154		155		156	
157		158		159	
160		161		162	
163		164		165	
166		167		168	
169		170		171	
172		173		174	
175		176		177	
178		179		180	
181		182		183	
184		185		186	
187		188		189	
190		191		192	
193		194		195	
196		197		198	
199		200		201	
202		203		204	
205		206		207	
208		209		210	
211		212		213	
214		215		216	
217		218		219	
220		221		222	
223		224		225	
226		227		228	
229		230		231	
232		233		234	
235		236		237	
238		239		240	
241		242		243	
244		245		246	
247		248		249	
250		251		252	
253		254		255	
256		257		258	
259		260		261	
262		263		264	
265		266		267	
268		269		270	
271		272		273	
274		275		276	
277		278		279	
280		281		282	
283		284		285	
286		287		288	
289		290		291	
292		293		294	
295		296		297	
298		299		300	
301		302		303	
304		305		306	
307		308		309	
310		311		312	
313		314		315	
316		317		318	
319		320		321	
322		323		324	
325		326		327	
328		329		330	
331		332		333	
334		335		336	
337		338		339	
340		341		342	
343		344		345	
346		347		348	
349		350		351	
352		353		354	
355		356		357	
358		359		360	
361		362		363	
364		365		366	
367		368		369	
370		371		372	
373		374		375	
376		377		378	
379		380		381	
382		383		384	
385		386		387	
388		389		390	
391		392		393	
394		395		396	
397		398		399	
400		401		402	
403		404		405	
406		407		408	
409		410		411	
412		413		414	
415		416		417	
418		419		420	
421		422		423	
424		425		426	
427		428		429	
430		431		432	
433		434		435	
436		437		438	
439		440		441	
442		443		444	
445		446		447	
448		449		450	
451		452		453	
454		455		456	
457		458		459	
460		461		462	
463		464		465	
466		467		468	
469		470		471	
472		473		474	
475		476		477	
478		479		480	
481		482		483	
484		485		486	
487		488		489	
490		491		492	
493		494		495	
496		497		498	
499		500		501	
502		503		504	
505		506		507	
508		509		510	
511		512		513	
514		515		516	
517		518		519	
520		521		522	
523		524		525	
526		527		528	
529		530		531	
532		533		534	
535		536		537	
538		539		540	
541		542		543	
544		545		546	
547		548		549	
550		551		552	
553		554		555	
556		557		558	
559		560		561	
562		563		564	
565		566		567	
568		569		570	
571		572		573	
574		575		576	
577		578		579	
580		581		582	
583		584		585	
586		587		588	
589		590		591	
592		593		594	
595		596		597	
598		599		600	
601		602		603	
604		605		606	
607		608		609	
610		611		612	
613		614		615	
616		617		618	
619		620		621	
622		623		624	
625		626		627	
628		629		630	
631		632		633	
634		635		636	
637		638		639	
640		641		642	
643		644		645	
646		647		648	
649		650		651	
652		653		654	
655		656		657	
658		659		660	
661		662		663	
664		665		666	
667		668		669	
670		671		672	
673		674		675	
676		677		678	
679		680		681	
682		683		684	
685		686		687	
688		689		690	
691		692		693	
694		695		696	
697		698		699	
700		701		702	
703		704		705	
706		707		708	
709		710		711	
712		713		714	
715		716		717	
718		719		720	
721		722		723	
724		725		726	
727		728		729	
730		731		732	
733		734		735	
736		737		738	
739		740		741	
742		743		744	
745		746		747	
748		749		750	
751		752		753	
754		755		756	
757		758		759	
760		761		762	
763		764		765	
766		767		768	
769		770		771	
772		773		774	
775		776		777	
778		779		780	
781		782		783	
784		785		786	
787		788		789	
790		791		792	
793		794		795	
796		797		798	
799		800		801	
802		803		804	
805		806		807	
808		809		810	
811		812		813	
814		815		816	
817		818		819	
820		821		822	
823		824		825	
826		827		828	



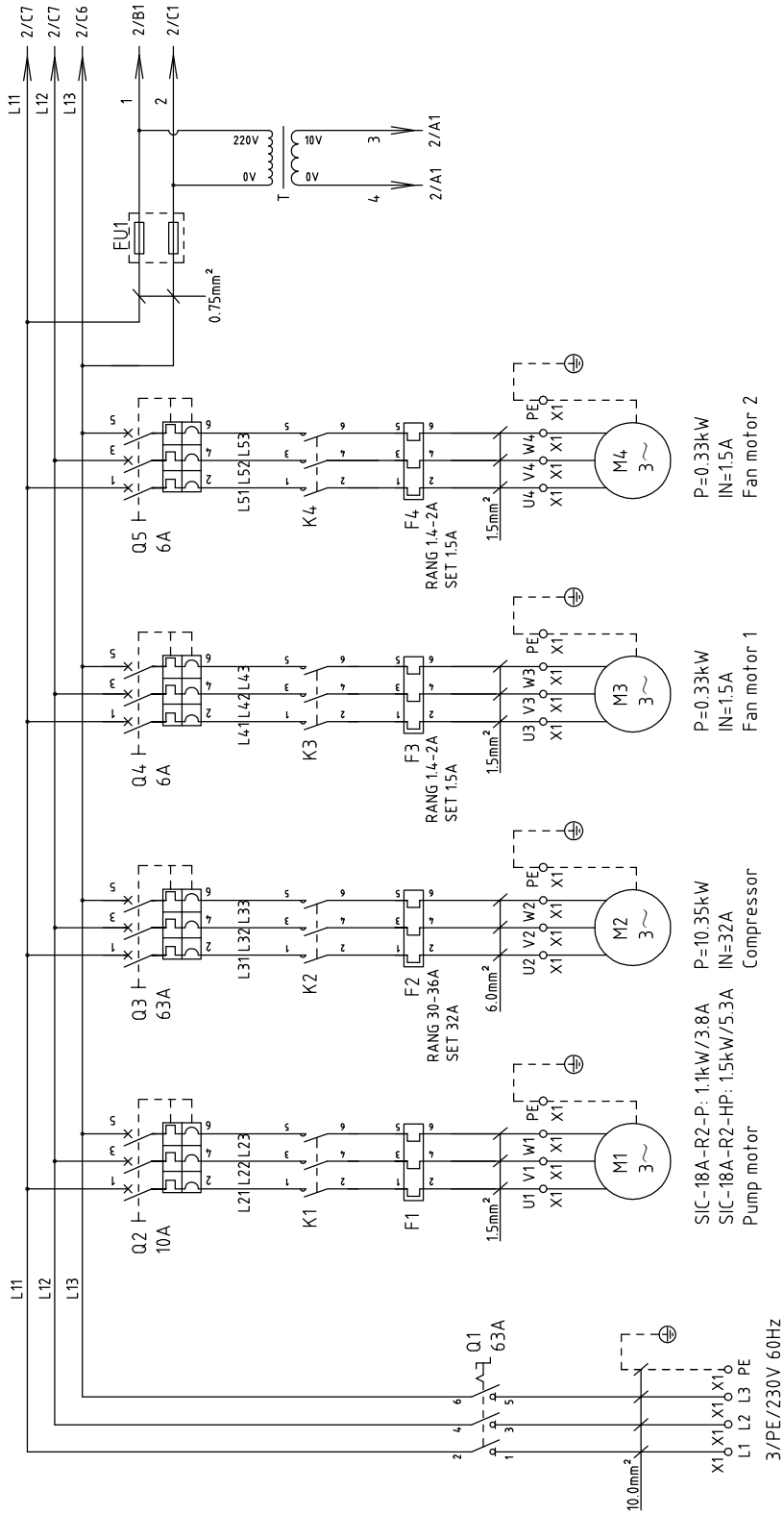
版本 Ver.C

Mark	Before modification	After modification	Date	20161027	Version	A	Title	SIC-12A-R2	Drawing No.	SIC-12A-R2-CE-230V-A-3	Scale	Page
											Standard	Totally
							Electrical Components Layout				CE	3
												5
												230V
												60Hz
												8



- X2 2 1 PE } Connect to liquid pipe valve (option)
- X2 2 21 PE }
- X1 22 21 } Connect to water flow switch (Option)
- X1 20 19 PE } Connect to hot air by-pass valve
- X1 18 17 } Connect to low pressure switch
- X1 16 15 } Connect to high pressure switch
- X1 14 13 } Connect to crankcase heating band (available)
- X1 12 11 } Connect to pump
- X1 10 9 } Connect to fan
- X1 8 7 } Connect to compressor
- X1 6 5 4 } Connect to power lines
- X1 3 2 1 PE } Connect to power lines

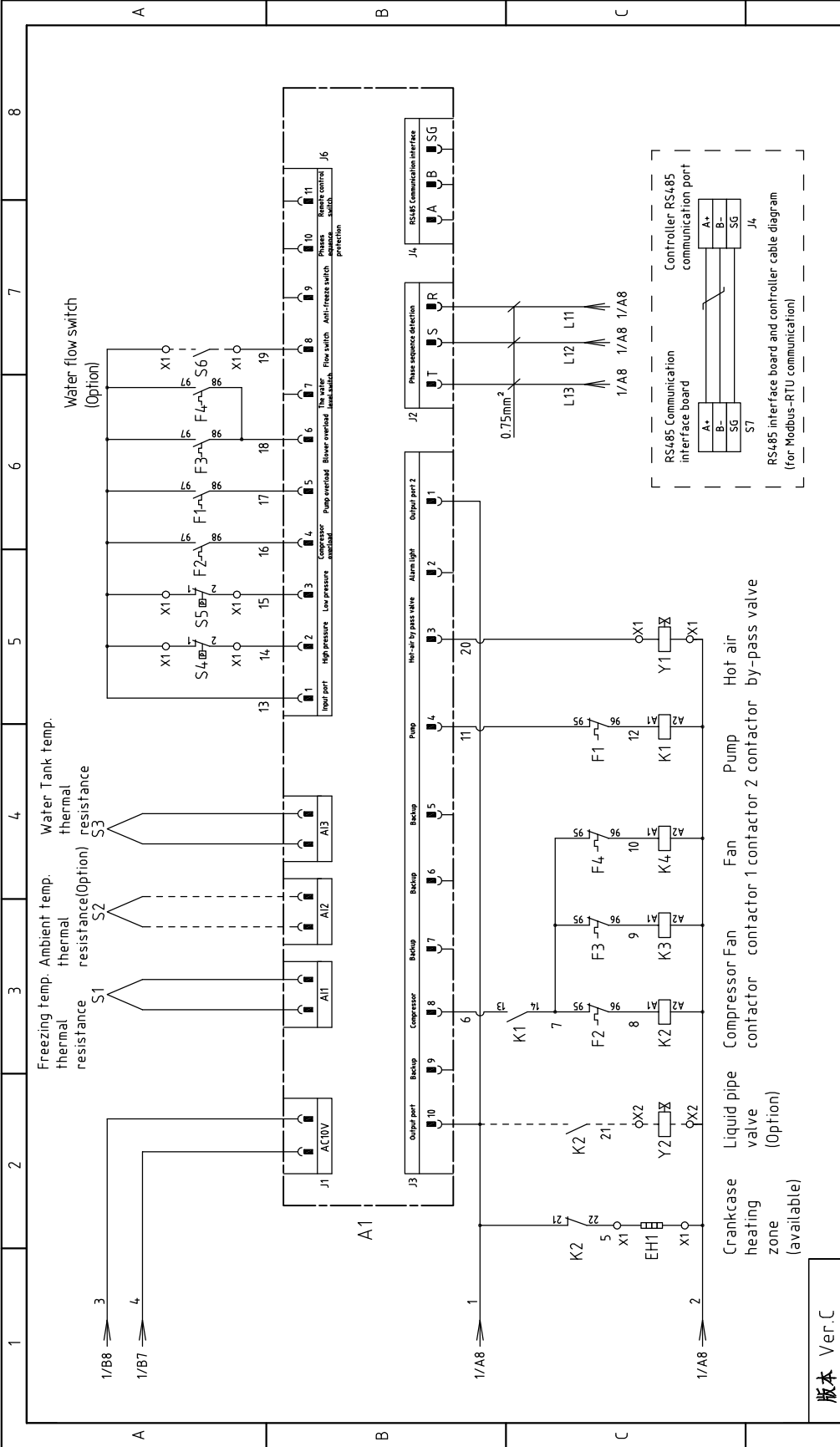
1	2		3	4	5	6	7	8
NO.	Symbol	Name	Manufacturer	Type	Specification	Number	Material number	Remark
1	Q1	Main switch	SIEMENS	3LD2203-0TK53	32A	1	YE10220300000	
2	Q3	Circuit breaker	TECO	BM-63C/3040S	40A	1	YE40304003000	
3	Q2 Q4	Circuit breaker	TECO	BM-63C/3010S	10A	2	YE40301003000	A
4	K1	Contacto	SIEMENS	3RT6016-1AN21	220VAC 50/60Hz	1	YE00601621000	
5	K2	Contacto	SIEMENS	3RT6026-1AN20	220VAC 50/60Hz	1	YE00602622000	
6	K3	Contacto	SIEMENS	3RT6016-1AN21	220VAC 50/60Hz	1	YE00601621000	
7	F1	Thermo overload relay	SIEMENS	3RU6116-1EB0	2.8-4A	1	YE01160280000	SIC-12A-R2-P
8	F1	Thermo overload relay	SIEMENS	3RU6116-1GB0	4.5-6.32A	1	YE01160450000	SIC-12A-R2-HP
9	F2	Thermo overload relay	SIEMENS	3RU6126-4CB0	17-22A	1	YE01260170000	
10	F3	Thermo overload relay	SIEMENS	3RU6116-1DB0	2.2-3.2A	1	YE01160220000	
11	FU1	Fuse base	CHNT	RT18-32	32A 2P	1	YE41032200000	B
12		Fuse core	MRO	10×38 500V	2A	2	YE46002000100	
13	A1	Controller	PUNP	SF317500A	AC 10V	1	YE80000100900	
14	S1	Anti-freezing temp. RTD	PUNP	RTD	----	1	----	With controller
15	S3	Water tank temp. RTD	PUNP	RTD	----	1	----	With controller
16	T	Transformer	PUNP	IN=220V OUT=9.8V	----	1	----	With controller
17	S4	Hl pressure switch	----	----	----	1	----	(1)
18	S5	L0 pressure switch	----	----	----	1	----	(1)
19	S6	Water flow switch	----	----	----	1	----	(1)(3)
20	S7	Communication interface board RS-485 (double DSub-9pin connector)	----	----	----	1	YE90048501200	(1)
21		External shell(RS485)(SAL-700G-A-1910)	----	----	----	1	YR40048500000	(1)
22	X1	Terminal board	----	SK6	----	3	YE60000603200	
23		Terminal board	----	GK6PE	----	1	YE60000603500	
24		Terminal board	----	SK4	----	3	YE60000403200	
25		Terminal board	----	GK5PE	----	1	YE60000403500	
版本 Ver.C Notes: (1)Means it's not the material inside the control box.(2) Stands for optional liquid pipe valve.(3)Stands for optional water flow switch								
			Title SIC-12A-R2 Drawing NO. SIC-12A-R2-CE-230V-A-4 Electrical Components List 1		Scale Standard CE		Page 4 Totaly 5 Pages	
			Designer Approved by Date 20161027		Voltage Frequency		230V 60Hz	
Mark Before modification After modification Modified by Modify Date			Checked by Date		SHINI 信易塑料机械股份有限公司 Shini Plastics Technologies, Inc.		8	



版本 Ver.C

Mark	Before modification	After modification	Date	20161027	Version	B	Title	SIC-18A-R2 Main Circuit Diagram	Drawing NO.	SIC-18A-R2-CE-230V-B-1	Scale	Page 1
	Modified by	Modify Date									Checked by	Approved by
Modified by											Voltage	230V
Before modification											Frequency	60Hz



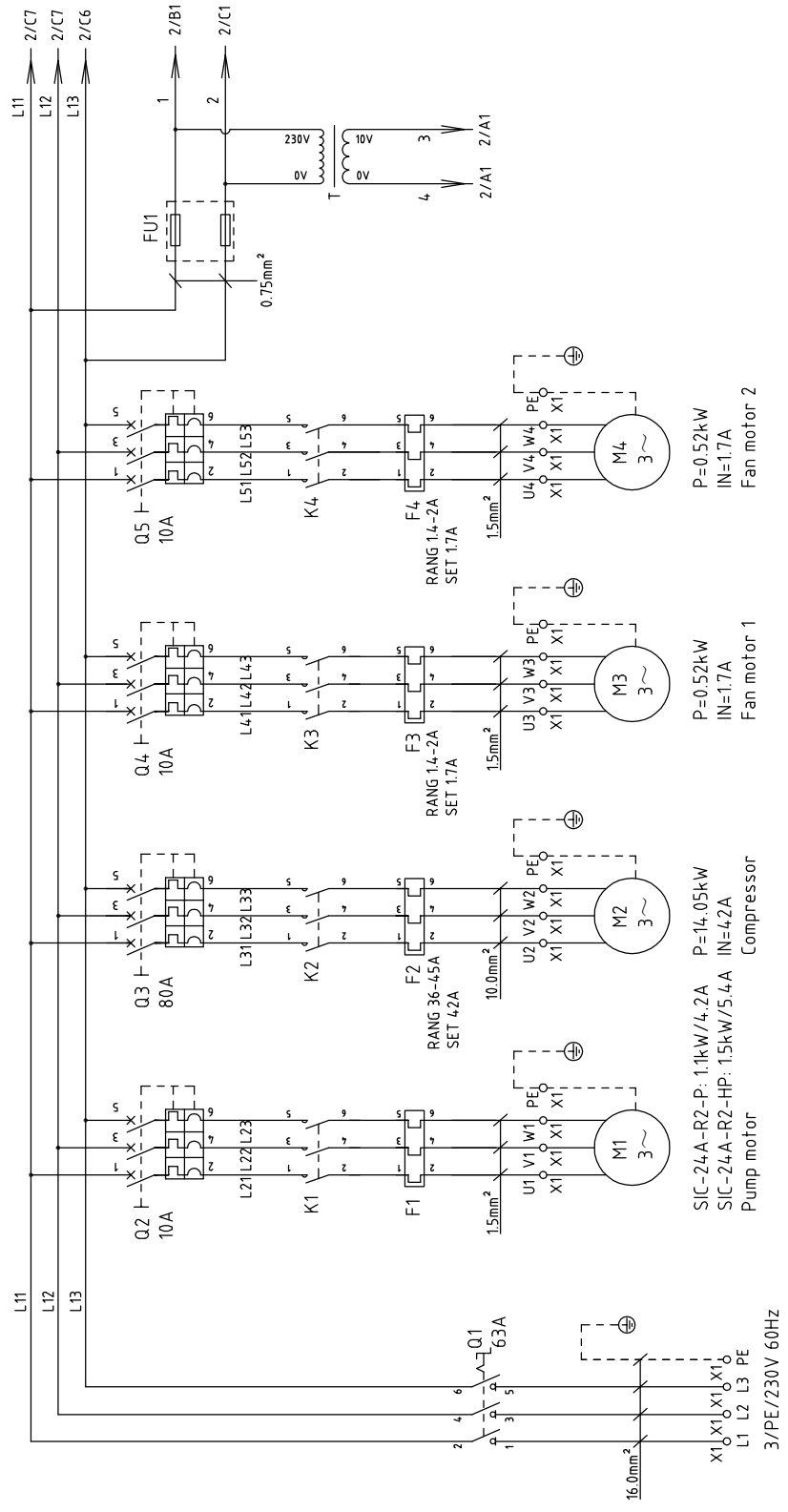


Drawing NO.		SIC-18A-R2		Page 2	
Title		SIC-18A-R2		Scale	
Control Circuit Diagram		Control Circuit Diagram		Standard	
Version		B		Voltage	
Approved by				Frequency	
Date		20161027		230V	
Checked by				60Hz	
Modified by				Totally	
Modify Date				5	
After modification				Pages	
Before modification				230V	
Mark				60Hz	
Version		Ver.C		8	



1	2		3	4	5	6	7	8
NO.	Symbol	Name	Manufacturer	Type	Specification	Number	Material number	Remark
1	Q1	Main switch	EATON	P3-63/EA/SVB	63A	1	YE10636300000	
2	Q3	Circuit breaker	TECO	BM-63C/3063S	63A	1	YE40306303000	
3	Q2	Circuit breaker	TECO	BM-63C/3010S	10A	1	YE40301003000	A
4	Q4 Q5	Circuit breaker	TECO	BM-63C/3006S	6A	2	YE40300603000	
5	K1	Contacto	SIEMENS	3RT6016-1AN21	220VAC 50/60Hz	1	YE00601621000	
6	K2	Contacto	SIEMENS	3RT6028-1AN20	220VAC 50/60Hz	1	YE00602822000	
7	K3 K4	Contacto	SIEMENS	3RT6016-1AN21	220VAC 50/60Hz	2	YE00601621000	
8	F1	Thermo overload relay	SIEMENS	3RU6116-1FB0	3.5-5A	1	YE01160350000	SIC-18A-R2-P
9	F1	Thermo overload relay	SIEMENS	3RU6116-1GB0	4.5-6.32A	1	YE01160450000	SIC-18A-R2-HP
10	F2	Thermo overload relay	SIEMENS	3RU6126-4PB0	30-36A	1	YE01612630000	
11	F3 F4	Thermo overload relay	SIEMENS	3RU6116-1BB0	1.4-2A	2	YE01160140000	B
12	FU1	Fuse	CHINT	RT28-32	2P	1	YE41032200000	
13		Fuse core	CHINT	2A/10x38/500V	2A	2	YE46002000100	
14	A1	Controllor	PUNP	SF317500A	AC 10V	1	YE80000100900	
15	S1	Anti-freezing temp. RTD	PUNP	RTD	----	1	----	With controller
16	S3	Water tank temp. RTD	PUNP	RTD	----	1	----	With controller
17	T	Transformer	PUNP	IN=220V OUT=9.8V	----	1	----	With controller
18	S4	HI pressure switch	----	----	----	1	----	(1)
19	S5	L0 pressure switch	----	----	----	1	----	(1)
20	S6	Water flow switch	----	----	----	1	----	(1)(3)
21	S7	Communication interface board RS-485 (double Dsub-9pin connector)	----	----	----	1	YE90048501200	(1)
22		External shell(RS485)(SAL-700G-A-1910)	----	----	----	1	YR40048500000	(1)
23	X1	Terminal board	----	10.0mm ²	----	3	YE60001003200	
24		Terminal board	----	10.0mm ² PE	----	1	YE60001003500	
25		Terminal board	----	6.0mm ²	----	3	YE60000603200	
版本 Ver.C Notes: (1)Means it's not the material inside the control box.(2) Stands for optional liquid pipe valve.(3)Stands for optional water flow switch								
D			Drawer	Version	Title	Scale	Page	4
			Designer	Approved by	SIC-18A-R2	SIC-18A-R2-CE-230V-B-4	Standard	CE
			Proofread by	Date	Electrical Components List 1		Voltage	230V
			Checked by	20161027			Frequency	60Hz
Mark	Before modification	After modification	Modify date				Totally	5
1	2	3	4	5	6	7	8	8

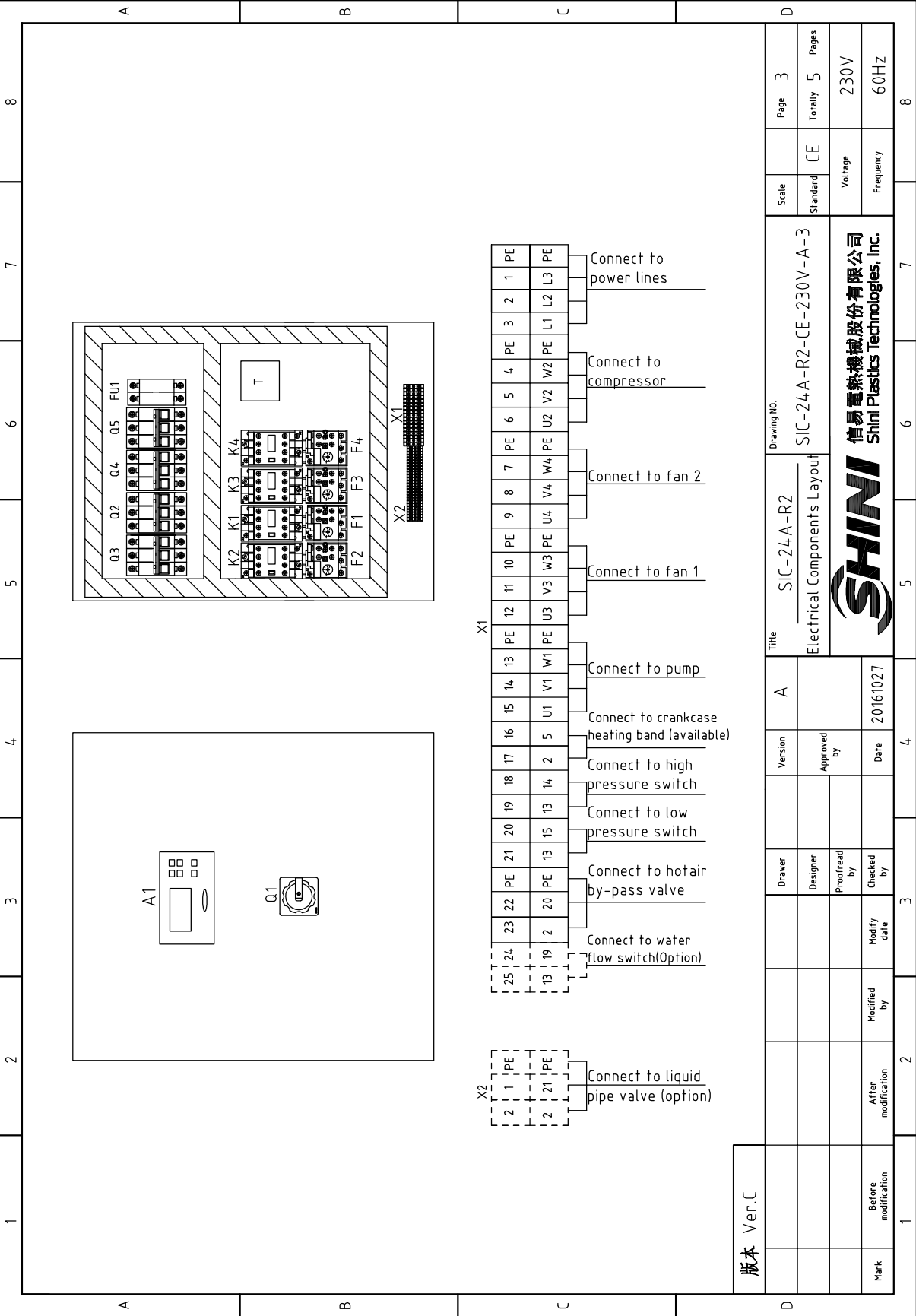




版本 Ver.C

Mark	Before modification	After modification	Date	20161027	Version	A	Title	SIC-24A-R2 Main Circuit Diagram	Drawing NO.	SIC-24A-R2-CE-230V-A-1	Scale	Page 1
	Modified by	Modify Date									Checked by	Approved by
											Voltage	230V
											Frequency	60Hz



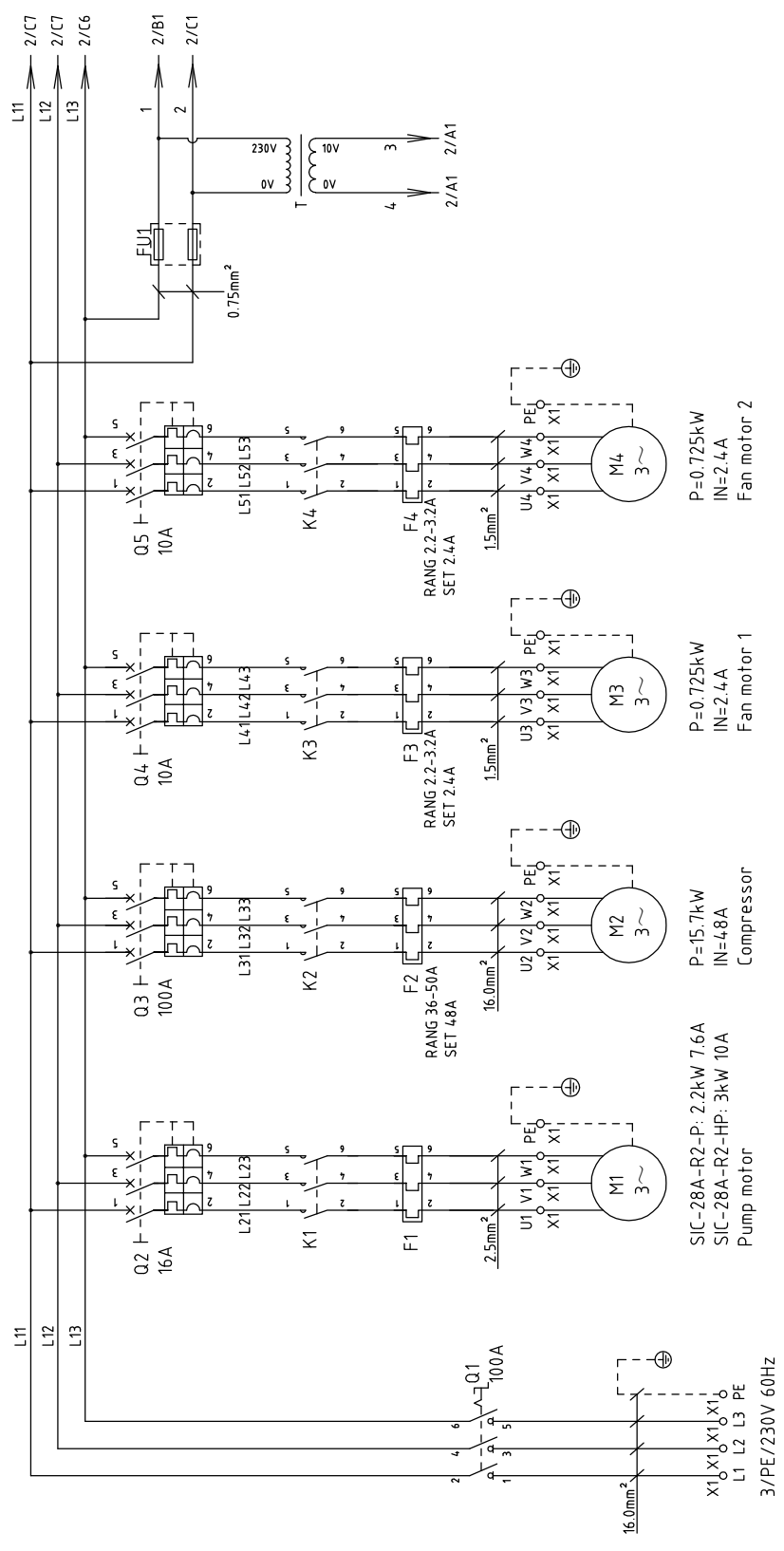


版本 Ver.C

Mark	Before modification	Modified by	Modify date	Date	20161027	SHINI Shini Plastics Technologies, Inc.	SIC-24A-R2-CE-230V-A-3	Drawing NO.	Scale	Page
	After modification	Modified by	Modify date						Standard	Totally
									CE	3
										5
										230V
										60Hz

1	2		3	4	5	6	7	8
NO.	Symbol	Name	Manufacturer	Type	Specification	Number	Material number	Remark
1	Q1	Main switch	EATON	P3-63/EA/SVB	63A	1	YE10636300000	
2	Q3	Circuit breaker	TECO	BM-100D/3080S	80A	1	YE40308003000	
3	Q2 Q4 Q5	Circuit breaker	TECO	BM-63C/3010S	10A	3	YE40301003000	A
4	K1	Contactor	SIEMENS	3RT6016-1ANZ1	220VAC 50/60Hz	1	YE00601621000	
5	K2	Contactor	SIEMENS	3RT5036-1ANZ0	220VAC 50/60Hz	1	YE00503600000	
6		Auxiliary block	SIEMENS	3RH5921-1CA01	1NC	1	YE00592110100	
7		Auxiliary block	SIEMENS	3RH5921-1CA10	1NO	1	YE00592110000	(2)
8	K3 K4	Contactor	SIEMENS	3RT6016-1ANZ1	220VAC 50/60Hz	2	YE00601621000	
9	F1	Thermo overload relay	SIEMENS	3RU6116-1FB0	3.5-5A	1	YE01160350000	SIC-24A-R2-P
10	F1	Thermo overload relay	SIEMENS	3RU6116-1GB0	4.5-6.32A	1	YE01160450000	SIC-24A-R2-HP
11	F2	Thermo overload relay	SIEMENS	3RU5136-4GB0	36-45A	1	YE01612660000	B
12	F3 F4	Thermo overload relay	SIEMENS	3RU6116-1BB0	1.4-2A	2	YE01160140000	
13	FU1	Fuse	CHINT	RT28-32	2P	1	YE41032200000	
14		Fuse core	CHINT	2A/10x38/500V	2A	2	YE46002000100	
15	A1	Controller	PUNP	SF317500A	AC 10V	1	YE80000100900	
16	S1	Anti-freezing temp. RTD	PUNP	RTD	----	1	----	with controller
17	S3	Water tank temp. RTD	PUNP	RTD	----	1	----	With controller
18	T	Transformer	PUNP	IN=220V OUT=9.8V	----	1	----	With controller
19	S4	Hl pressure switch	----	----	----	1	----	(1)
20	S5	L0 pressure switch	----	----	----	1	----	(1)
21	S6	Water flow switch	----	----	----	1	----	(1)(3)
22	S7	Communication interface board RS-485 (double Dsub-9pin connector)	----	----	----	1	YE90048501200	(1)
23		External shell(RS485)(SAL-700G-A-1910)	----	----	----	1	YR40048500000	(1)
24	X1	Terminal board	----	16.0mm ²	----	3	YE60001603200	
25		Terminal board	----	16.0mm ² PE	----	1	YE60001603500	
版本 Ver.C Notes: (1)Means it's not the material inside the control box.(2) Stands for optional liquid pipe valve.(3)Stands for optional water flow switch.								
				A	Title	SIC-24A-R2	Drawing NO.	Scale
				Version	SIC-24A-R2-CE-230V-A-4	Standard	CE	Page 4
				Designer	Approved by	Electrical Components List 1	Voltage	Pages
				Proofread by	Date	20161027	230V	Totally 5
				Checked by	Modify Date		Frequency	60Hz
				Before modification	After modification			
1	2	3	4	5	6	7	8	



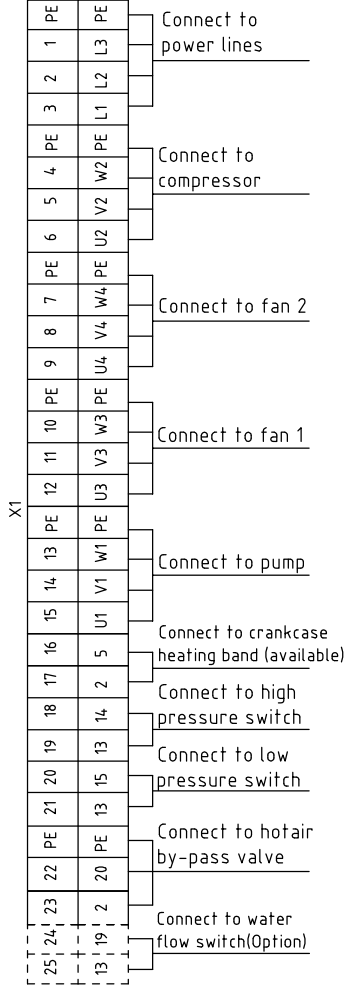
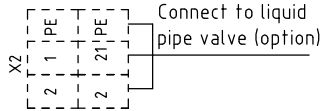
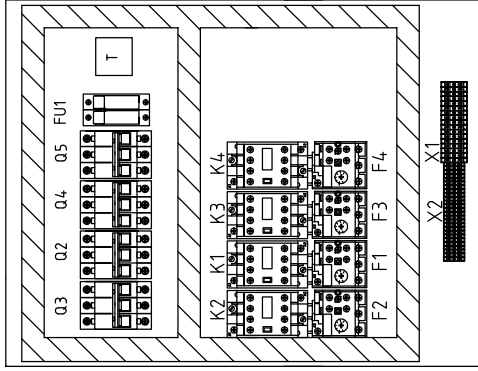
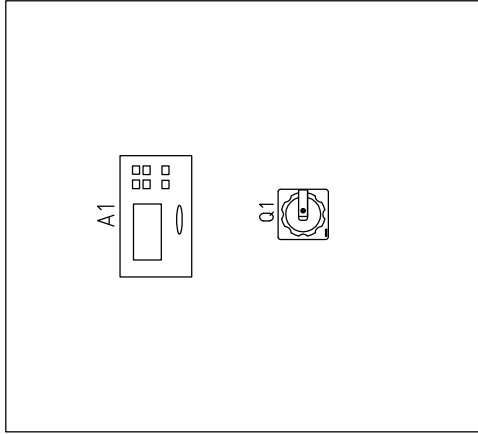


版本 Ver.C


Mark	Before modification	Modified by	Modify Date	Checked by	Date	20161027	Version	0	Title	SIC-28A-R2 Main Circuit Diagram	Drawing No.	SIC-28A-R2-CE-230V-C-1	Scale	Page
	After modification	Approved by	Standard										CE	Totally
													Voltage	230V
													Frequency	60Hz
													Standard	CE
													Page	1
													Totally	5
													Pages	



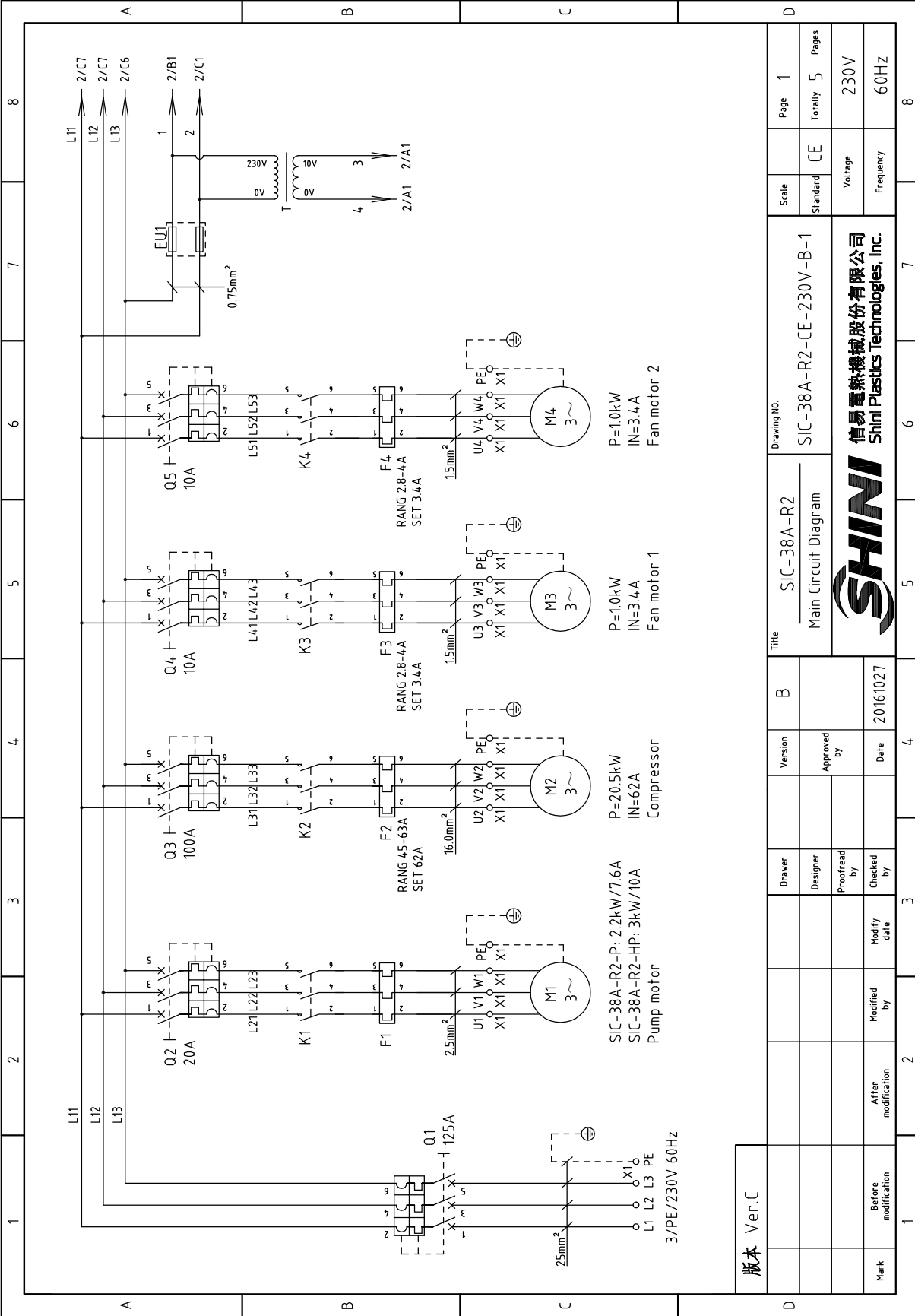
1 2 3 4 5 6 7 8



版本 Ver.C

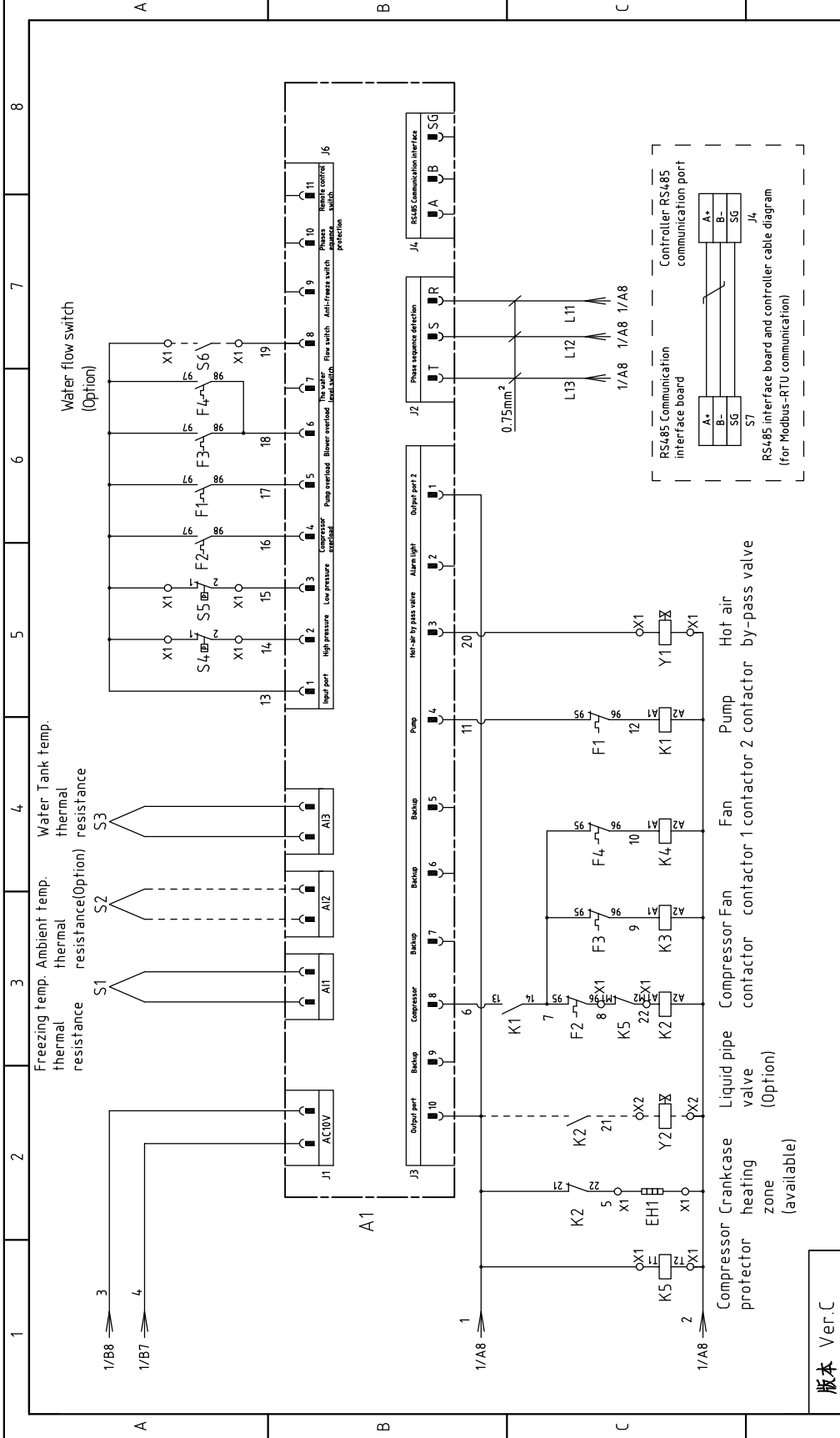
Mark	Before modification	Modified by	Modify date	Checked by	Date	Approved by	Version	0	Title	SIC-28A-R2	Drawing NO.	Scale	Page	
	After modification											Standard	Totally	
									Electrical Components Layout	SIC-28A-R2-CE-230V-C-3		CE	3	
									 信易塑料机械股份有限公司 Shini Plastics Technologies, Inc.			Voltage	230V	
												Frequency	60Hz	
1	2	3	4	5	6	7	8							

1		2		3		4		5		6		7		8																																																																																	
NO.	Symbol	Name	Manufacturer	Type	Specification	Number	Material number	Remark																																																																																							
1	Q1	Main switch	EATON	P3-100/EA/SVB	100A	1	YE10010000000																																																																																								
2	Q2	Circuit breaker	TECO	BM-63C/3016S	16A	1	YE40301603000																																																																																								
3	Q3	Circuit breaker	TECO	BM-100D/3100S	100A	1	YE403100003000																																																																																								
4	Q4 Q5	Circuit breaker	TECO	BM-63C/3010S	10A	2	YE403010003000																																																																																								
5	K1	Contactor	SIEMENS	3RT6016-1AN21	220VAC 50/60Hz	1	YE00601621000	SIC-28A-R2-P																																																																																							
6	K1	Contactor	SIEMENS	3RT6017-1AN21	220VAC 50/60Hz	1	YE00601721000	SIC-28A-R2-HP																																																																																							
7	K2	Contactor	SIEMENS	3RT5044-1AN20	220VAC 50/60Hz	1	YE00504400000																																																																																								
8		Auxiliary block	SIEMENS	3RH1921-1EA11	1NO+1NC	1	YE00192101100	(2)																																																																																							
9	K3 K4	Contactor	SIEMENS	3RT6016-1AN21	220VAC 50/60Hz	2	YE00601621000																																																																																								
10	F1	Thermo overload relay	SIEMENS	3RU6116-1JB0	7-10A	1	YE01167100000	SIC-28A-R2-P																																																																																							
11	F1	Thermo overload relay	SIEMENS	3RU6116-1KB0	9-12.5A	1	YE01169125000	SIC-28A-R2-HP																																																																																							
12	F2	Thermo overload relay	SIEMENS	3RU5146-4HB0	36-50A	1	YE01514630000																																																																																								
13	F3 F4	Thermo overload relay	SIEMENS	3RU6116-1DB0	2.2-3.2A	2	YE01160220000																																																																																								
14	FU1	Fuse Box	CHNT	RT18-32	32A 2P	1	YE41032200000																																																																																								
15		Fuse	MRO	10x38 500V	2A	2	YE46002000100																																																																																								
16	A1	Controller	PUNP	SF317500A	AC 10V	1	YE80000100900																																																																																								
17	S1	Anti-freezing temp. RTD	PUNP	RTD	----	1	----	With controller																																																																																							
18	S3	Water tank temp. RTD	PUNP	RTD	----	1	----	With controller																																																																																							
19	T	Transformer	PUNP	IN=220V OUT=9.8V	----	1	----	With controller																																																																																							
20	S4	HI pressure switch	----	----	----	1	----	(1)																																																																																							
21	S5	LO pressure switch	----	----	----	1	----	(1)																																																																																							
22	S6	Water flow switch	----	----	----	1	----	(1)(3)																																																																																							
23	S7	Communication interface board RS-485 (double Dsub-5pin connector)	----	----	----	1	YE90048501200	(1)																																																																																							
24		External shell RS485(SAL-700G-A-1910)	----	----	----	1	YR40048500000	(1)																																																																																							
25	X1	Terminal board	HONEYWELL	16.0mm ²	----	6	YE60001603200																																																																																								
版本 Ver.C Notes: (1)Means it's not the material inside the control box.(2) Stands for optional liquid pipe valve.(3)Stands for optional water flow switch.																																																																																															
<table border="1"> <thead> <tr> <th colspan="2">D</th> <th colspan="2">Drawing NO.</th> <th colspan="2">Title</th> <th colspan="2">Version</th> <th colspan="2">C</th> <th colspan="2">Scale</th> <th colspan="2">Page</th> <th colspan="2">4</th> </tr> <tr> <td colspan="2"></td> <td colspan="2">SIC-28A-R2</td> <td colspan="2">SIC-28A-R2-CE-230V-C-4</td> <td colspan="2">Electrical Components List 1</td> <td colspan="2">Standard</td> <td colspan="2">CE</td> <td colspan="2">Voltage</td> <td colspan="2">230V</td> </tr> <tr> <td colspan="2"></td> <td colspan="2">SHINI</td> <td colspan="2">信易塑料机械股份有限公司</td> <td colspan="2">Shini Plastics Technologies, Inc.</td> <td colspan="2">Frequency</td> <td colspan="2">60Hz</td> <td colspan="2">Totally</td> <td colspan="2">5</td> </tr> <tr> <td colspan="2">Mark</td> <td colspan="2">Before modification</td> <td colspan="2">After modification</td> <td colspan="2">Modified by</td> <td colspan="2">20161027</td> <td colspan="2">Checked by</td> <td colspan="2">Date</td> <td colspan="2">20161027</td> </tr> </thead> <tbody> <tr> <td colspan="2">1</td> <td colspan="2">2</td> <td colspan="2">3</td> <td colspan="2">4</td> <td colspan="2">5</td> <td colspan="2">6</td> <td colspan="2">7</td> <td colspan="2">8</td> </tr> </tbody> </table>																D		Drawing NO.		Title		Version		C		Scale		Page		4				SIC-28A-R2		SIC-28A-R2-CE-230V-C-4		Electrical Components List 1		Standard		CE		Voltage		230V				SHINI		信易塑料机械股份有限公司		Shini Plastics Technologies, Inc.		Frequency		60Hz		Totally		5		Mark		Before modification		After modification		Modified by		20161027		Checked by		Date		20161027		1		2		3		4		5		6		7		8	
D		Drawing NO.		Title		Version		C		Scale		Page		4																																																																																	
		SIC-28A-R2		SIC-28A-R2-CE-230V-C-4		Electrical Components List 1		Standard		CE		Voltage		230V																																																																																	
		SHINI		信易塑料机械股份有限公司		Shini Plastics Technologies, Inc.		Frequency		60Hz		Totally		5																																																																																	
Mark		Before modification		After modification		Modified by		20161027		Checked by		Date		20161027																																																																																	
1		2		3		4		5		6		7		8																																																																																	




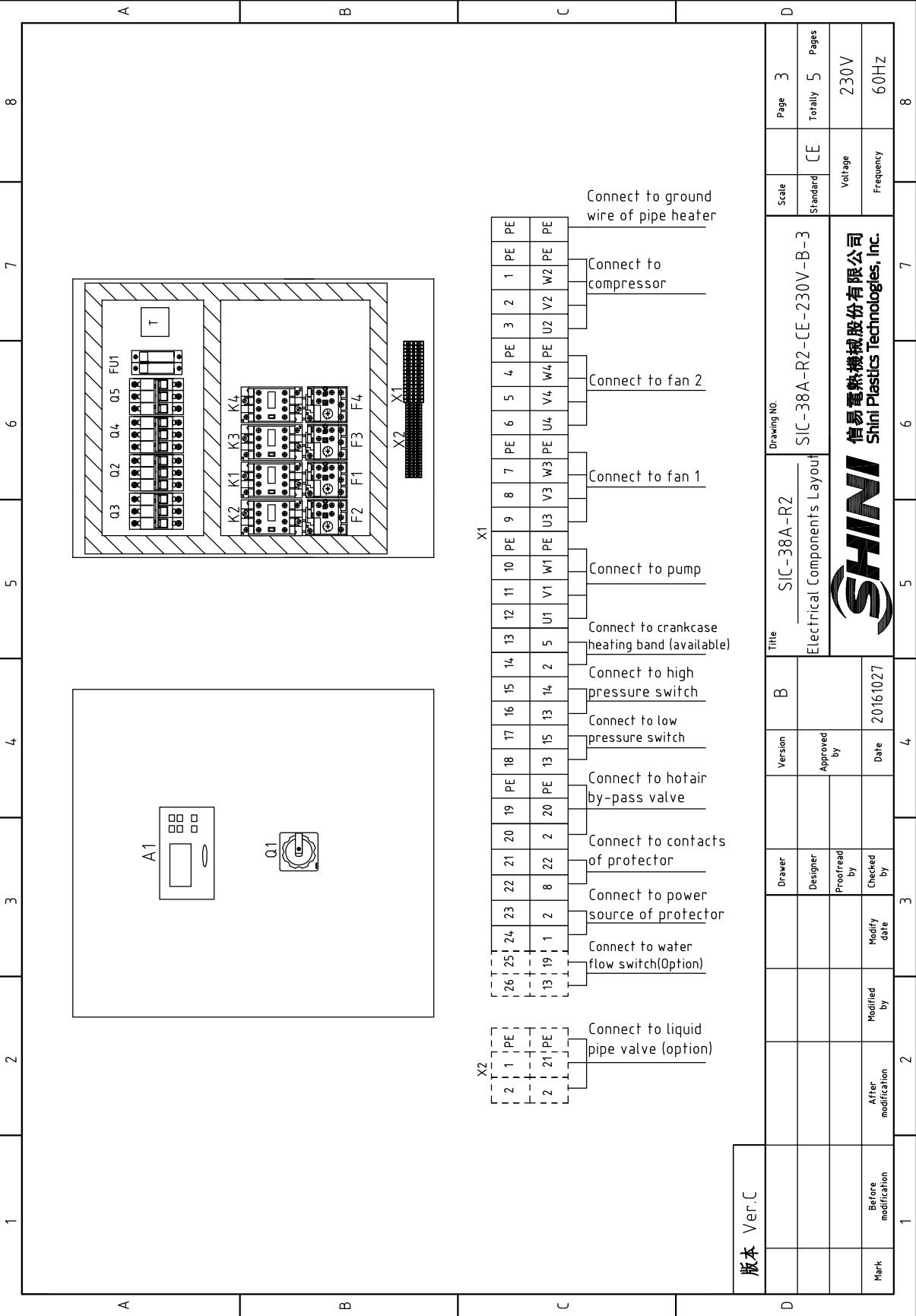
版本 Ver.C

Drawing No.		SIC-38A-R2-CE-230V-B-1		Page 1
Title		SIC-38A-R2		Scale
Version		Main Circuit Diagram		Standard
Approved by		SHINI		Voltage
Date		信易電熱機械股份有限公司 Shini Plastics Technologies, Inc.		Frequency
Checked by		20161027		230V
Modified by		3		60Hz
Modify Date		4		Totally 5
After modification		5		Pages
Before modification		6		CE
Mark		7		8



版本 Ver.C

Mark	Before modification	Modified by	20161027	Date	20161027	Checked by	Approved by	Version	B	Title	SIC-38A-R2		Scale	Page 2
	After modification	Modify Date	Control Circuit Diagram								SIC-38A-R2-CE-230V-B-2			
1	2	3	4	5	6	7	 信易塑料机械股份有限公司 Shini Plastics Technologies, Inc.		Voltage Frequency		230V	60HZ		



Mark	Before modification	After modification	Modified by	Modify date	Checked by	Date	20161027
			Approved by				
Version	B		Version				
Drawer	SIC-38A-R2		Title				
Designer	Electrical Components Layout		Drawing NO.				
Proofread by	SIC-38A-R2		Scale				
Checked by	CE		Standard				
Modified by	Voltage		Page				
Modify date	Frequency		Totally				
	230V		5				
	60Hz		3				

SHINI
信易塑料机械股份有限公司
Shini Plastics Technologies, Inc.

版本 Ver.C

1	2		3	4	5	6	7	8
NO.	Symbol	Name	Manufacturer	Type	Specification	Number	Material number	Remark
1	Q1	Breaker interlock	ABB	A1A125TMF125/42503PFF	125A	1	YE41161400000	
2	Q2	Circuit breaker	TECO	BM-63C/3020S	20A	1	YE40302003000	
3	Q3	Circuit breaker	TECO	BM-100D/30100S	100A	1	YE403100003000	A
4	Q4 Q5	Circuit breaker	TECO	BM-63C/3010S	10A	2	YE403010003000	
5	K1	Contacto	SIEMENS	3RT6017-1AN21	220VAC 50/60Hz	1	YE00601721000	
6	K2	Contacto	SIEMENS	3RT5044-1AN20	220VAC 50/60Hz	1	YE00504400000	
7		Auxiliary block	SIEMENS	3RH5921-1CA01	1NC	1	YE00592110100	
8		Auxiliary block	SIEMENS	3RH5921-1CA10	1NO	1	YE00592110000	(2)
9	K3 K4	Contacto	SIEMENS	3RT6016-1AN21	220VAC 50/60Hz	2	YE00601621000	
10	F1	Thermo overload relay	SIEMENS	3RU6116-1JB0	7-10A	1	YE01167100000	SIC-38A-R2-P
11	F1	Thermo overload relay	SIEMENS	3RU6116-1KB0	9-12.5A	1	YE01169125000	SIC-38A-R2-HP
12	F2	Thermo overload relay	SIEMENS	3RU5146-4JB0	45-63A	1	YE01514640000	
13	F3 F4	Thermo overload relay	SIEMENS	3RU6116-1EB0	2.8-4A	2	YE01160280000	
14	FU1	Fuse base	CHNT	RT18-32	32A 2P	1	YE41032200000	
15		Fuse core	MRO	10x38 500V	2A	2	YE46002000100	
16	A1	Controller	PUNP	SF317500A	AC 10V	1	YE80000100900	
17	S1	Anfi-freezing temp. RTD	PUNP	RTD	----	1	----	With controller
18	S3	Water tank temp. RTD	PUNP	RTD	----	1	----	With controller
19	T	Transformer	PUNP	IN=220V OUT=9.8V	----	1	----	With controller
20	S4	HI pressure switch	----	----	----	1	----	(1)
21	S5	LO pressure switch	----	----	----	1	----	(1)
22	S6	Water flow switch	----	----	----	1	----	(1)(3)
23	S7	Communication interface board RS-485 (double Dsub-9pin connector)	----	----	----	1	YE90048501200	(1)
24		External shell(IRS485)(SAL-700G-A-1910)	----	----	----	1	YR40048500000	(1)
25	X1	Terminal board	----	GK35PE	----	1	YE60003503500	
版本 Ver.C								
Notes: (1)Means it's not the material inside the control box.(2)Stands for optional liquid pipe valve.(3)Stands for optional water flow switch.								
			Title	SIC-38A-R2	Drawing NO.	SIC-38A-R2-CE-230V-B-4	Scale	Page 4
			Version	B	Electrical Components List 1	Standard	CE	Totally 5
			Designer	Approved by	Voltage	230V	Pages	60Hz
			Proofread by	Date	20161027	Frequency	60Hz	
Mark			Before modification	Modified by	Modify date	Voltage	Frequency	
1	2	3	4	5	6	7	8	



