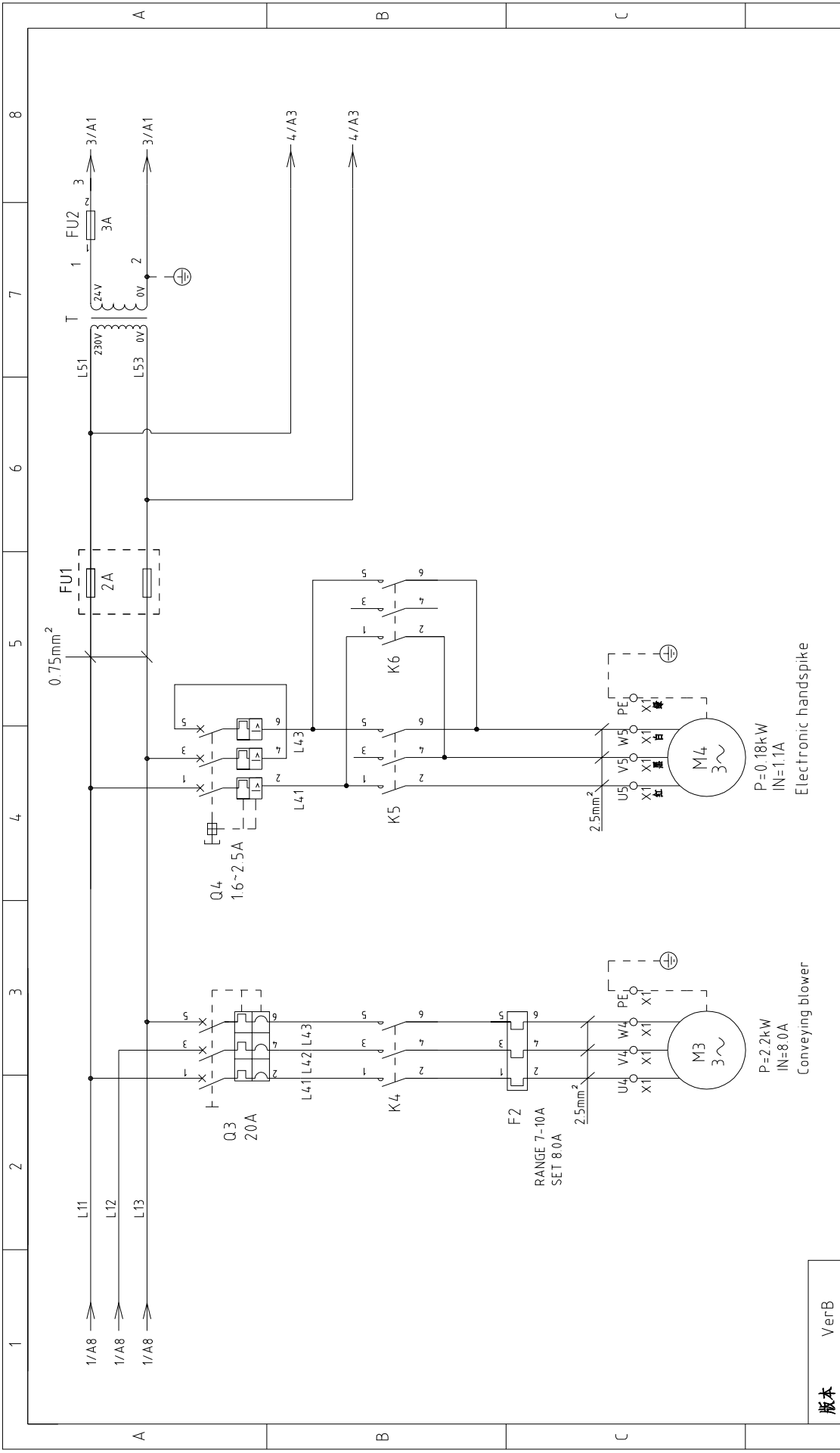


版本	VerB
Mark	Before modification
Mark	After modification
Modified by	
Modify date	
Checked by	
Date	20171011
Approved by	
Version	0
Title	SGF-2660
Design No	SGF-2660-GB-230V-0-1

Scale	Standard	Page	1
Standard	GB	Totally	7
Pages		Pages	
Voltage	230V		
Frequency	50Hz		





Version		0		Title		SGF-2660		Drawing NO		SGF-2660-GB-230V-0-2		Scale		Page 2	
Approved by				Main Circuit Diagram 2						Standard		GB		Totally 7 Pages	
Date		20171011		SHINI		信易電熱機械股份有限公司		Shini Plastics Technologies, Inc.		Voltage		230V		Frequency	
Modified by				M4						Frequency		50HZ			
Mark		Before modification		M3						Voltage		230V		Frequency	
After modification				M4						Frequency		50HZ			
Modified date				M3						Voltage		230V		Frequency	
Checked by				M3						Frequency		50HZ			
Proofread by				M3						Voltage		230V		Frequency	
Designer				M3						Frequency		50HZ			
Drawer				M3						Voltage		230V		Frequency	
Version		0		Title		SGF-2660		Drawing NO		SGF-2660-GB-230V-0-2		Scale		Page 2	
Approved by				Main Circuit Diagram 2						Standard		GB		Totally 7 Pages	
Date		20171011		SHINI		信易電熱機械股份有限公司		Shini Plastics Technologies, Inc.		Voltage		230V		Frequency	
Modified by				M4						Frequency		50HZ			
After modification				M3						Voltage		230V		Frequency	
Modified date				M3						Frequency		50HZ			
Checked by				M3						Voltage		230V		Frequency	
Proofread by				M3						Frequency		50HZ			
Designer				M3						Voltage		230V		Frequency	
Drawer				M3						Frequency		50HZ			

版本 VerB

Conveying blower

Electronic handspike

P=0.18kW
IN=1.1A

P=2.2kW
IN=8.0A

RANGE 7-10A
SET 8.0A

Q4
16~2.5A

Q3
20A

0.75mm²

3/A1

3/A1

4/A3

4/A3

2

3

4

5

6

7

8

1

2

3

4

5

6

7

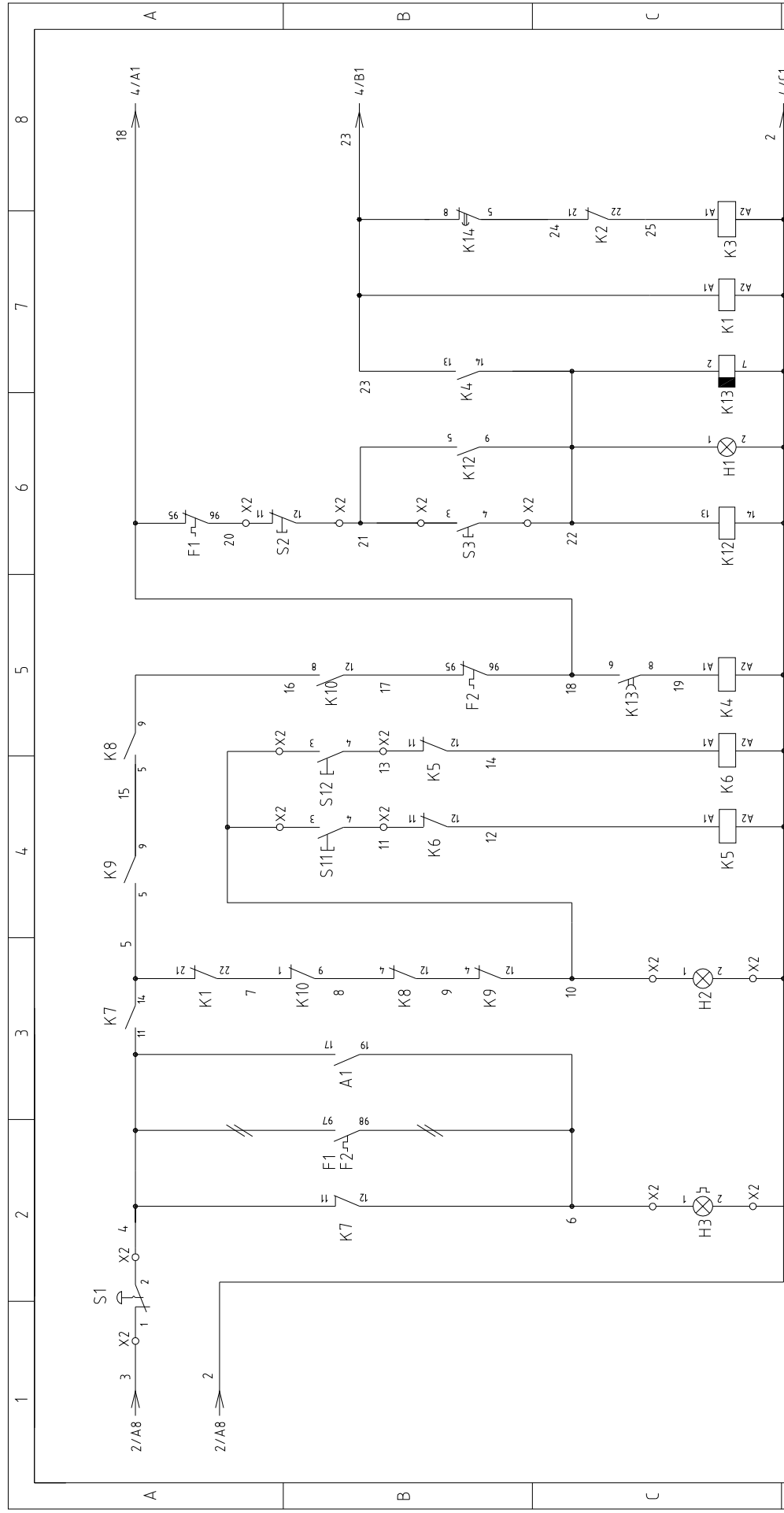
8

A

B

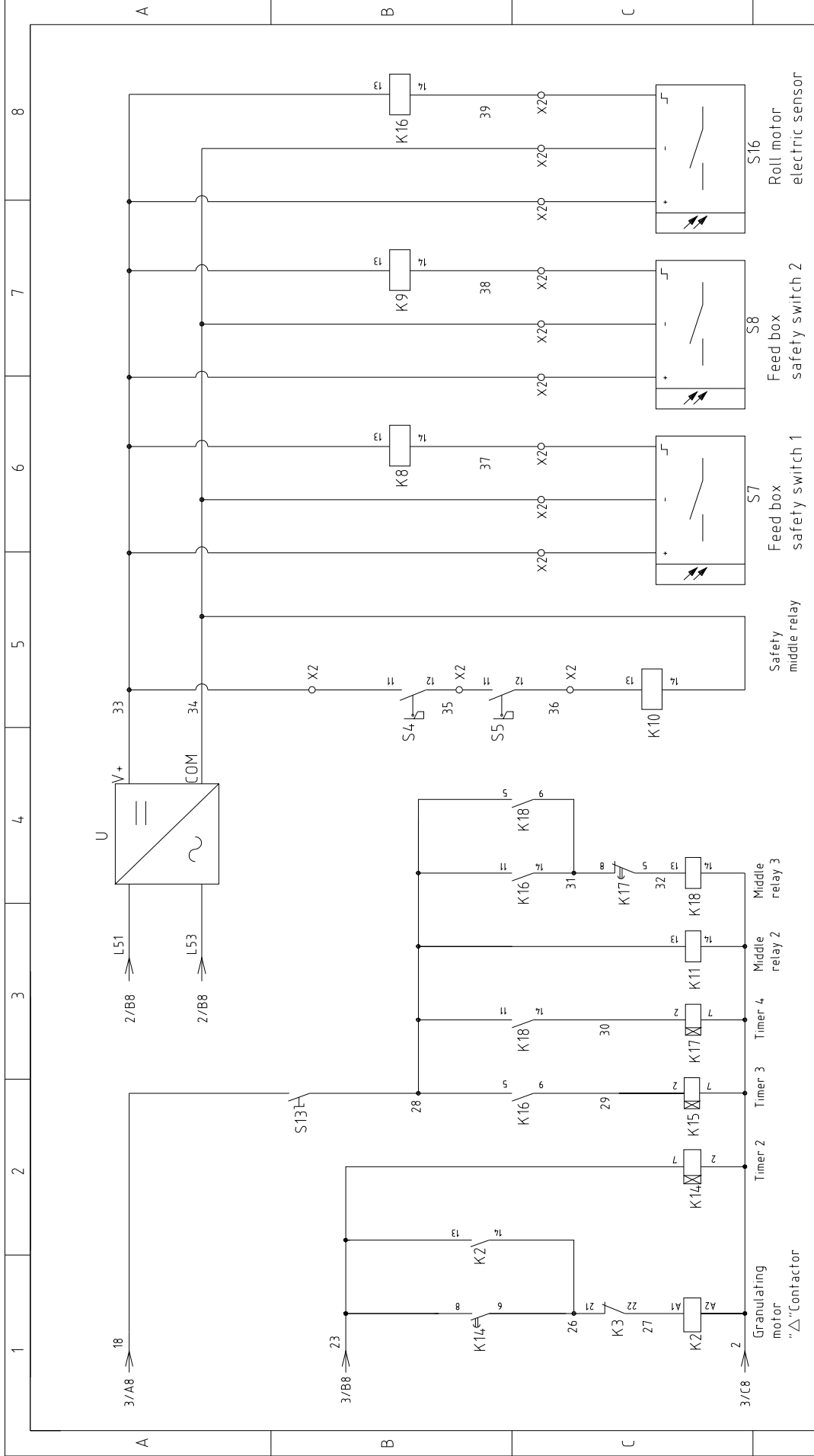
C

D



版本	VerB		
	1	2	3
Mark	Before modification	After modification	Modified by
Scale	Standard		GB
	Voltage		230V
Page	Totally		7
	Pages		50HZ
Drawing NO			SGF-2660-GB-230V-0-3
Title			Control Circuit Diagram 1
Title			SGF-2660
Version			0
Approved by			
Date			20171011
Drawer			
Designer			
Proofread by			
Checked by			
Modify date			
Alarm indicator			H3
Indicator			H2
Electronic handspike forward			K5
Electronic handspike reverse			K6
Conveying blower contactor			K4
Middle relay 1			K12
Working indicator			H1
Timer			K13
Granulating motor contactor			K1
Granulating motor 'Y' contactor			K3





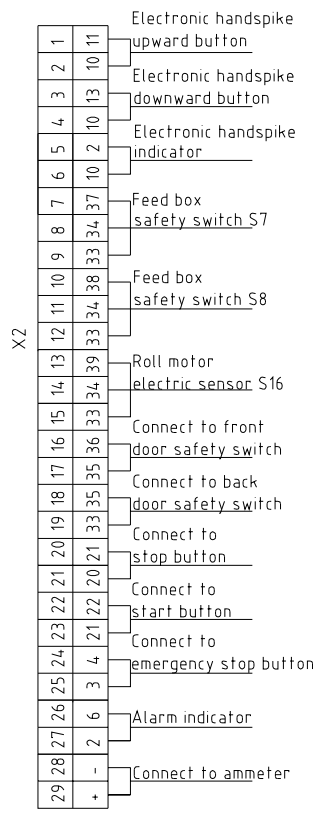
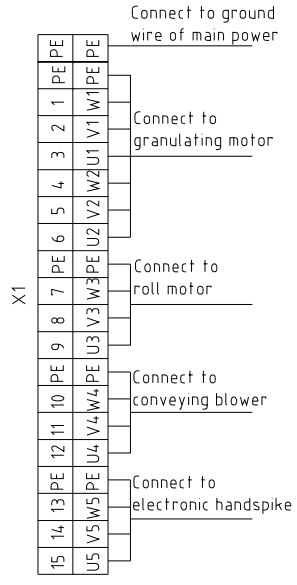
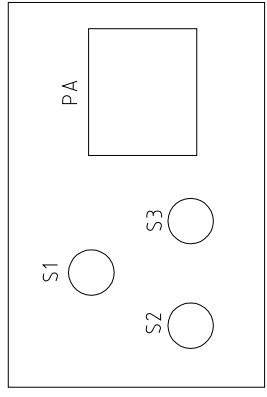
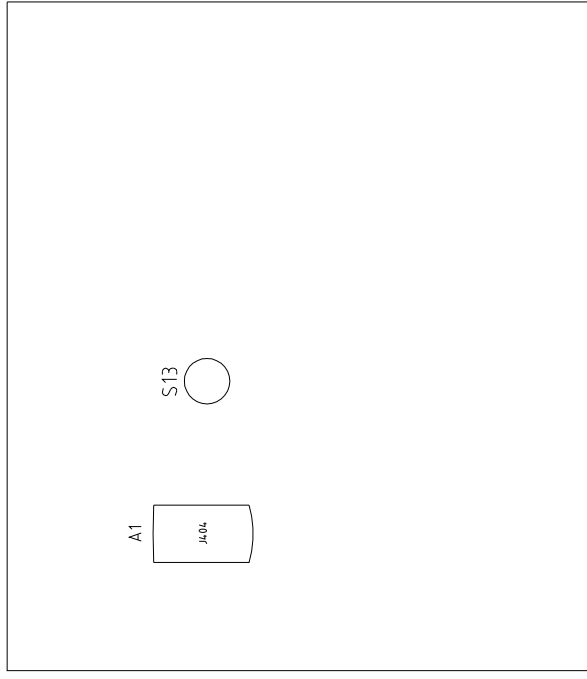
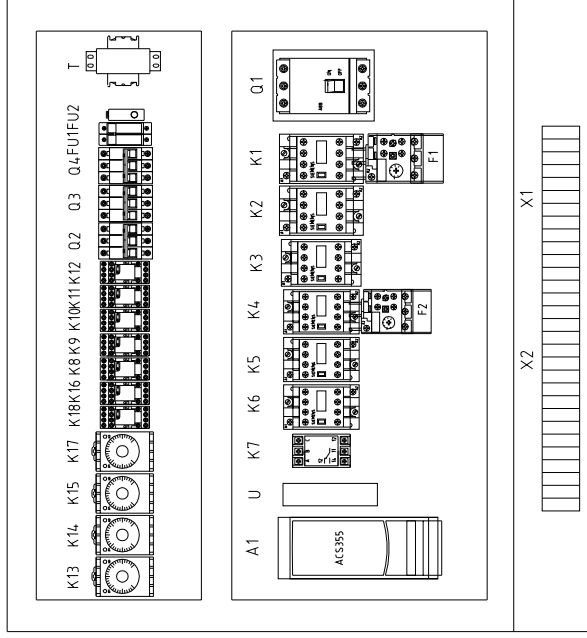
版本 VerB

D	Mark	Before modification	Modified by	20171011	Date	20171011	Approved by	Version	0	Title	SGF-2660		Drawing NO	Scale	Page	4
	Control Circuit Diagram 2	SGF-2660-GB-230V-0-4		Standard							GB	Totally				
											Voltage		230V			
											Frequency		50HZ			



1 2 3 4 5 6 7 8

Control box door plate



Note: The power cables L1, L2, and L3 are connected to the main power circuit breaker interface without passing the terminal.

版本 VerB

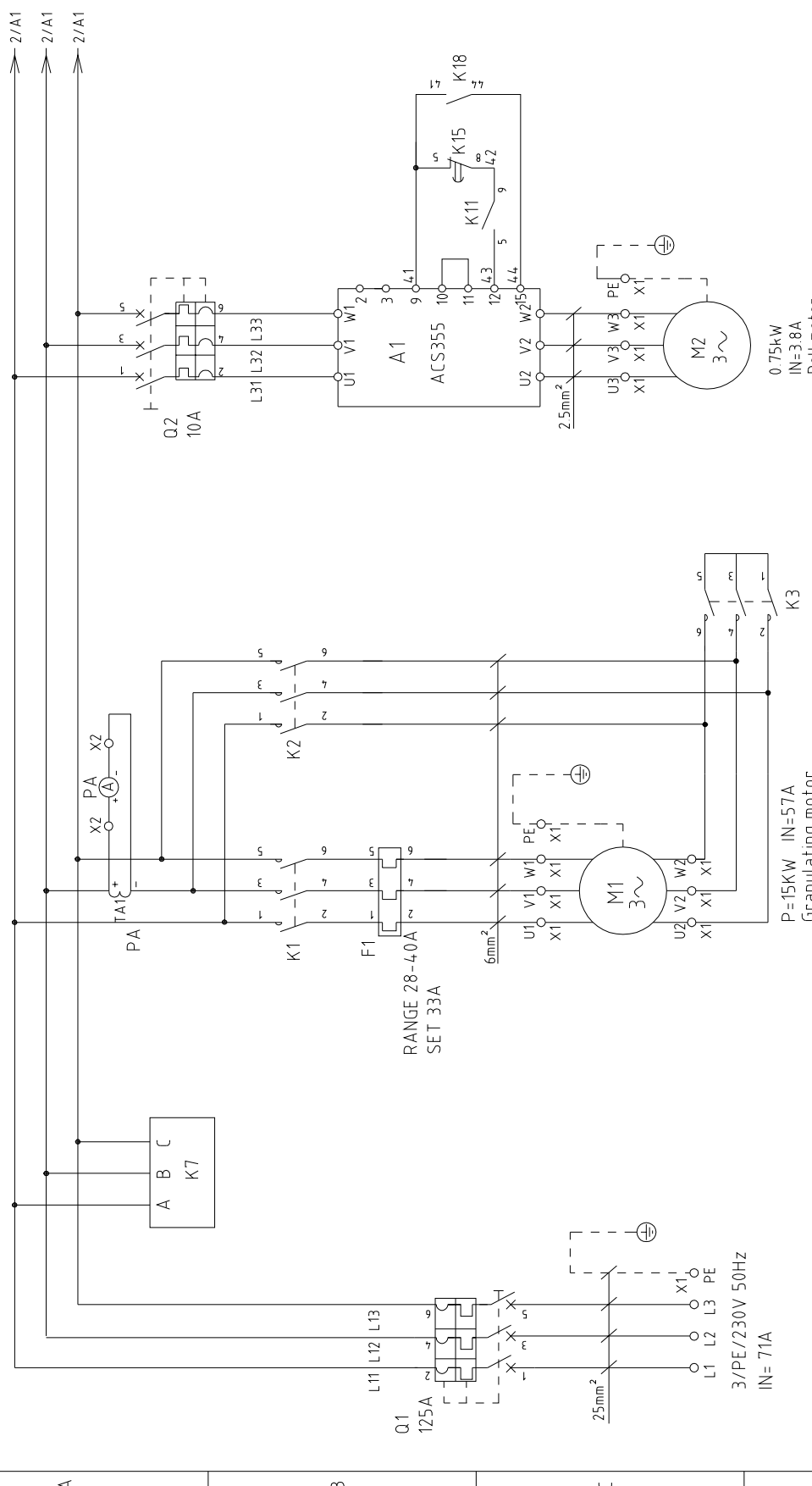
D	Scale	Standard	GB	Page	5
	Drawing NO		SGF-2660	Electrical Components Layout	
Title		SGF-2660		Drawing NO	
Version		0		SGF-2660-GB-230V-0-5	
Approved By				Standard	
Date		20171011		Voltage	
Checked by				Frequency	
Modify date				230V	
After modification				50HZ	
Before modification				Totally	
Mark				7	
1				8	



1	2	3	4	5	6	7	8		
NO.	Symbol	Name	Manufacturer	Type	Specification	Number	Material number	Remark	
									Scale
D		Title		Drawing NO		Standard		GB	
		Electrical Components List 1		SGF-2660		SGF-2660-GB-230V-0-6		Voltage	
		Approved by		Version		0		Totally	
		Designer		Proofread by				6	
		Checked by		Date		20171011		7	
Mark		Before modification		Modified by		Modify date		Frequency	
								230V	
								50HZ	
A	1	Q1	ABB	A1A125TMF100	100A	1	YE41110200000		
	2	Q2	TECO	BM-63C	10A	1	YE40301003000		
	3	Q3	TECO	BM-63C	20A	1	YE40302003000		
	4	Q4	CHNT	NS2-25	1.6-2.5A	1	YE10162500100		
	5	K1 K2	SIEMENS	3RT6028-1AC20	24VAC 50/60HZ	2	YE00602802600		
	6	K3	SIEMENS	3RT6027-1AC20	24VAC 50/60HZ	1	YE00602702600		
	7	K4	SIEMENS	3RT6017-1AB01	24VAC 50/60HZ	1	YE00601702500		
	8	K5 K6	SIEMENS	3RT6015-1AB02	24VAC 50/60HZ	2	YE00601502600		
	9	K7	CHAOSHI	ABJ1-10W-220V	220V 50/60HZ	1	YE03102200000		
	10	K8 K9 K10	WEIDMULLER	DRM270024LT	24VDC	3	YE03272400000		
B	11	K11 K12	Honeywell	GR-2C-AC24V	24VAC	2	YE03022400300		
	12	K13	YUYUN	TRF-N/3M	24VAC 50/60HZ	1	YE86032400000		
	13	K14 K15	YUYUN	TH3M-NAB	3S-60M 24VAC	2	YE86123000000		
	14	K16	WEIDMULLER	DRM270024LT	24VDC	1	YE03272400000		
	15	K17	YUYUN	TH3M-NAB	3S-60M 24VAC	1	YE86123000000		
	16	K18	Honeywell	GR-4C-AC24V	24VAC	1	YE03042400300		
	17	F1	SIEMENS	3RU6126-4NB0	23-28A	1	YE01612620000		
	18	F2	SIEMENS	3RU6116-1JB0	7-10A	1	YE01167100000		
C	19	FU1	CHNT	RT28-32	2P	1	YE41032200000		
	20	FU2	CHNT	10x38 500V	2A	2	YE46002000100		
	21	FU2	YINDA	FS-10	---	1	YE41001000000		
	22	FU2	----	6x30	5A	1	YE46630500100		
	23	A1	ABB	ACS355-03E-04A7-2	230V 0.75kW	1	YE75355300300		
	24	T	ABB	J404	---	1	YE81040400000		
	25	T	BAIYUN	IN=230V OUT=24V	120VA	1	YE70023005500		
版本 VerB Notes: (1)Means it's not the material inside the control box.									
		Designer		Version		0		Title	
		Proofread by		Approved by				SGF-2660	
		Checked by		Date		20171011		Electrical Components List 1	
		Modified by		Modify date				SGF-2660-GB-230V-0-6	
		Before modification		After modification				Voltage	
								Frequency	
								230V	
								50HZ	
								Totally	
								6	
								7	
								8	

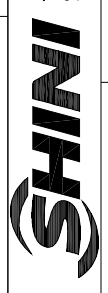


1	2		3	4	5	6	7	8
NO.	Symbol	Name	Manufacturer	Type	Specification	Number	Material number	Remark
26	S1	Emergency stop button	SCHNEIDER	XB2BS542C	400VAC	1	YE11254200000	
27	S2	Stop button	SCHNEIDER	XB2BA22C	400VAC	1	YE11222000000	
28	S11 S12	Button	ABB	CP1-11G-10	24VAC	2	YE11241100000	(1)
29	S3,H1	Start button	SCHNEIDER	XB2BW33B1C	24VAC	1	YE11233100000	
30	S4,S5	Safety switch	SCHMERSRC	AZ15ZVRK-1476-1+B1	AC-15	2	YE16147600100	(1)
31	S7 S8	Inductive sensor	CONTRINEX	DW-AD-621-M12	24VDC NPN N.O	2	YE90621120000	(1)
32	S16	Sensor	DELIN	DL-12	24VDC NPN	1	YE15122400000	(1)
33	H2	Indicator	ABB	CL2-502G	24VAC	1	YE83050200100	(1)
34	H3	Alarm indicator	SHINI	LED-3051	24VAC	1	YE83305100900	
35	S13	Selection switch	ABB	C2SS2-10B-10	Ui=300V Ifh=5A	1	YE12210100000	
36	U	DC power	MEAN WELL	S 35-24	OUT=24VDC 15A	1	YE71352400000	
37	TA1	Current transformer	RATIO	RQT-10	100/5A	1	YE04100500000	
38	PA	Ammeter	SFIM	DH-670	100/5A	1	YE25671000000	(1)
39	X1	Terminal board	HONEYWELL	GK-16PE	---	1	YE60001603500	
40		Terminal board	HONEYWELL	6mm ²	---	6	YE60000603200	
41		Terminal board	HONEYWELL	6mm ² PE	---	1	YE60000603500	
42		Terminal board	HONEYWELL	2.5mm ²	---	9	YE60002503200	
43		Terminal board	HONEYWELL	2.5mm ² PE	---	3	YE60002503400	
44	X2	Terminal board	HONEYWELL	2.5mm ²	---	28	YE60002503200	
45	M1	Motor	---	---	230V 50Hz 11kW	1	-----	(1)
46	M2	Motor	---	---	230V 50Hz 0.75kW	1	-----	(1)
47	M3	Motor	---	---	230V 50Hz 2.2kW	1	-----	(1)
48	M4	Electronic handspike motor	---	---	230V 50Hz	1	-----	(1)
49								
50								
版本 VerB Notes: (1)Means it's not the material inside the control box.								
D				Scale	Drawing NO		Page 7	
				Standard	SGF-2660-GB-230V-0-7		Totally 7 Pages	
					Electrical Components List 2		GB	
							Voltage	
							Frequency	
Mark				Before modification	Modified by	Modify date	230V	
1				2	3	4	5	6
				20171011	5	6	7	8
				Date	SHINI		信易电热机械股份有限公司 Shini Plastics Technologies, Inc.	

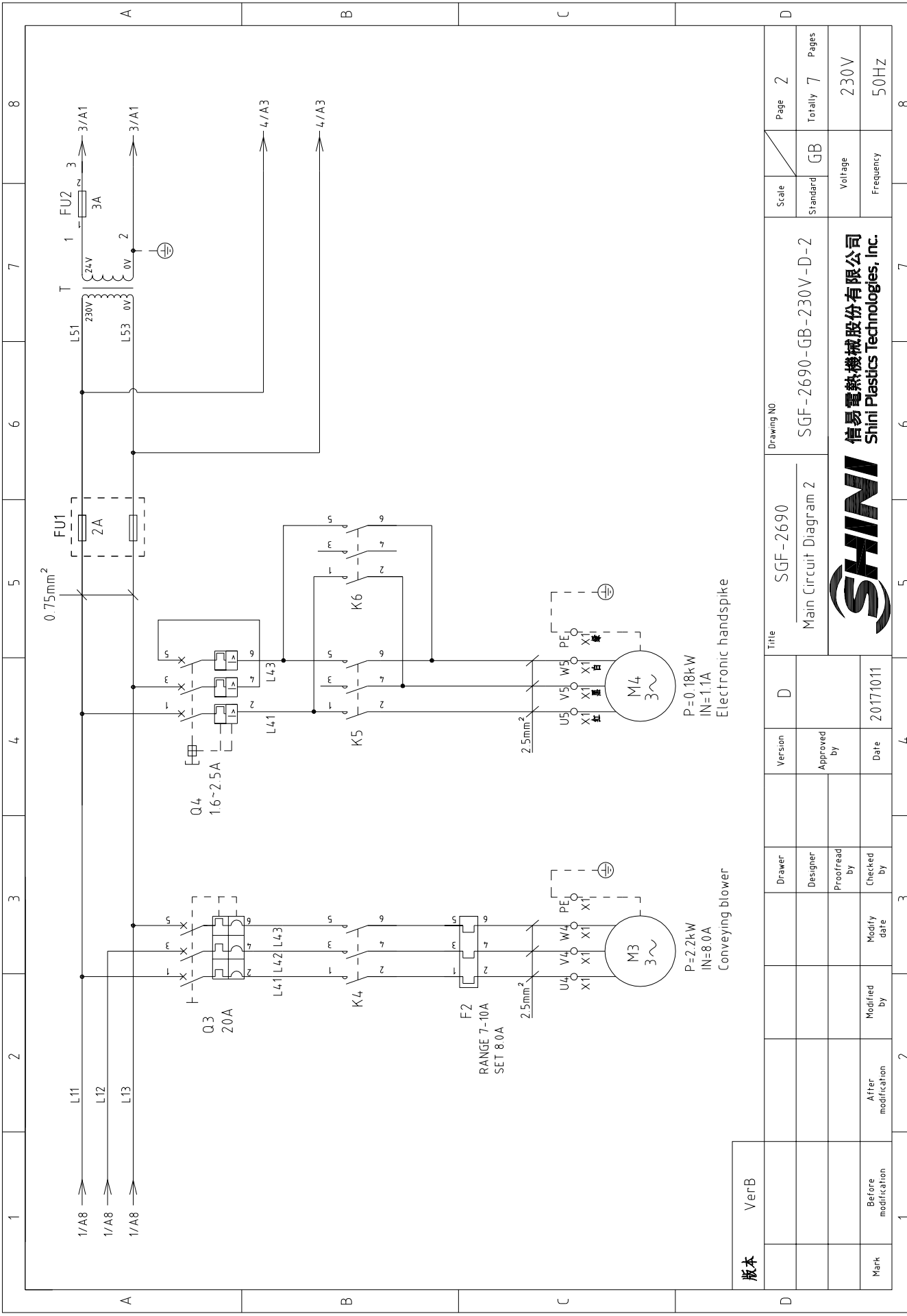


版本	VerB
Mark	Before modification
Mark	After modification
Modified by	
Modify date	
Checked by	
Proofread by	
Designer	
Drawer	
Version	
Approved by	
Date	20171011

Title		SGF-2690	
Drawing NO		SGF-2690-GB-230V-D-1	
Main Circuit Diagram 1			
Scale	Standard	GB	Page 1
Voltage	Frequency	230V	Totally 7 Pages
230V	50HZ		



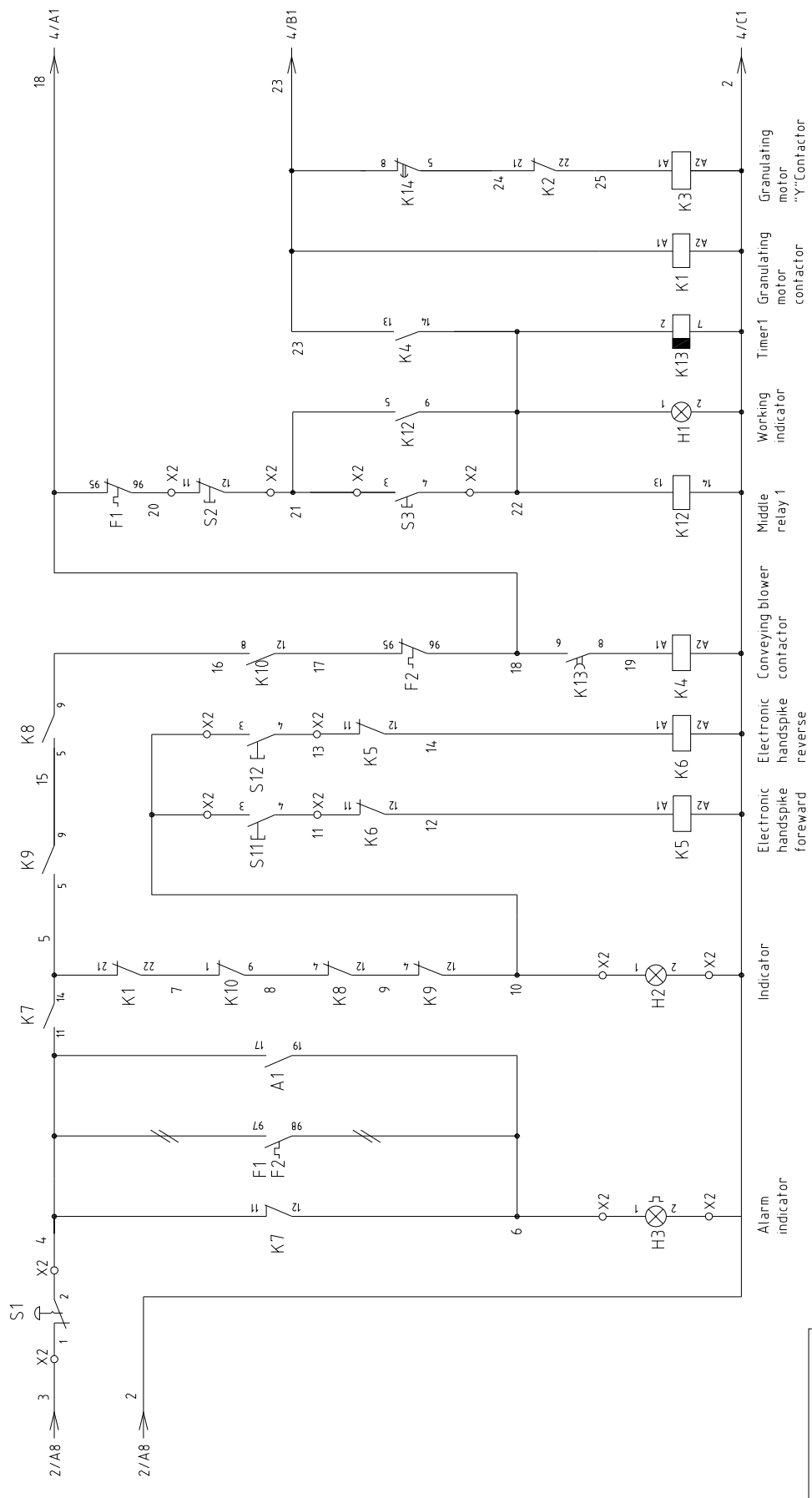
信易电热机械股份有限公司
Shini Plastics Technologies, Inc.



版本	VerB
	1
Mark	Before modification
	After modification
	Modified by
	Modify date
	Checked by
	Proofread by
	Designer
Drawer	
Version	
D	
	Approved by
	Date
	20171011

Title		SGF-2690		Drawing NO		SGF-2690-GB-230V-D-2	
Main Circuit Diagram 2							
Scale		Standard		GB		Page 2	
Voltage		230V		Frequency		50HZ	
Totally		7		Pages			

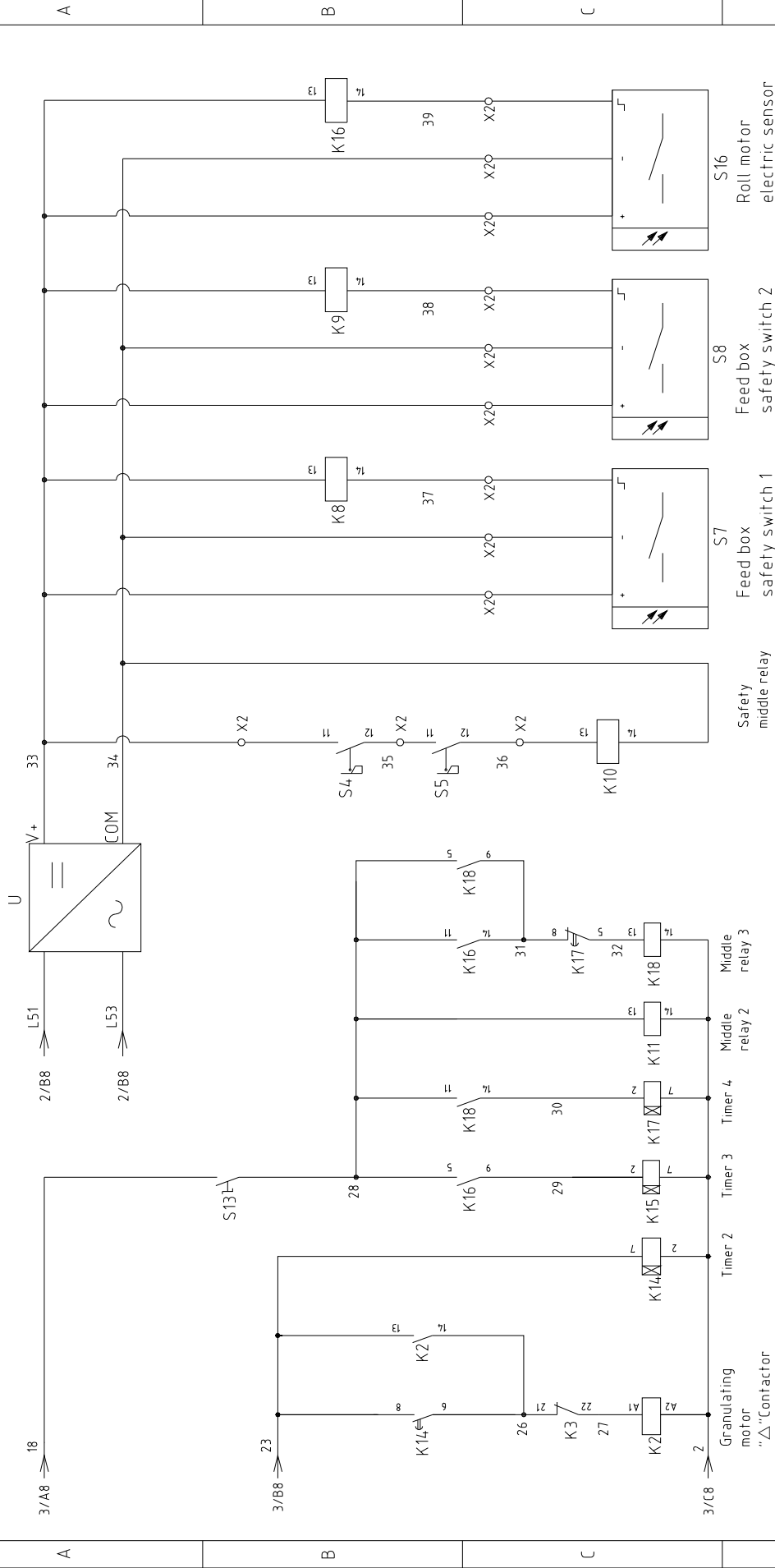
SHINI
信易电热机械股份有限公司
Shini Plastics Technologies, Inc.



版本	VerB
Mark	Before modification
	Modified by
	Modify date
	Checked by
	Proofread by
	Designer
Drawer	
Version	D
Title	
SGF-2690	Control Circuit Diagram 1
Drawing No	
SGF-2690-GB-230V-D-3	
Scale	Standard
GB	
Voltage	
230V	
Frequency	
50HZ	
Page	3
Totally	7
Pages	



1	2	3	4	5	6	7	8		
Alarm indicator	Indicator	Electronic handspike forward	Electronic handspike reverse	Conveying blower	Middle relay 1	Working indicator	Timer1	Granulating motor contactor	Granulating motor "Y" contactor



版本

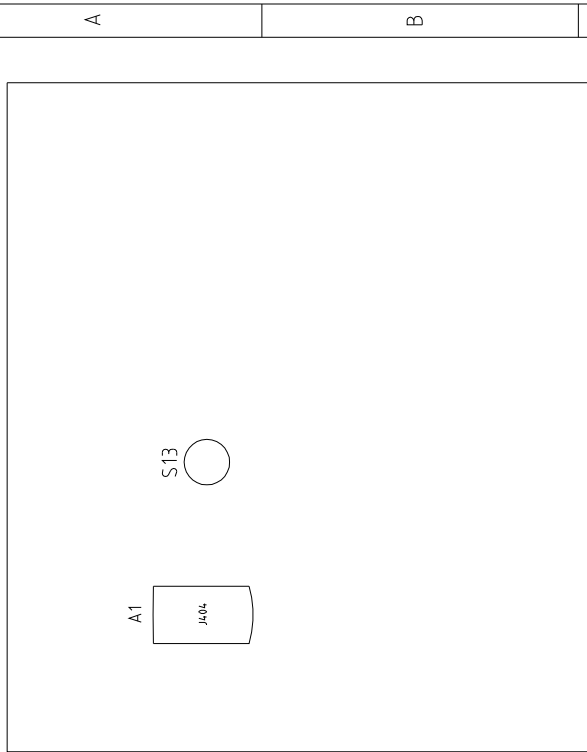
VerB

Mark	Before modification	Modified by	Date	20171011	Approved by	Date	20171011
Proofread by		Checked by			Designer		
Version	D	Version	D		Designer		
Title	SGF-2690		Drawing NO	SGF-2690-GB-230V-D-4			
Scale	Standard	Scale	Standard	Page	4	Totally	7
Voltage	230V		Frequency	50Hz			

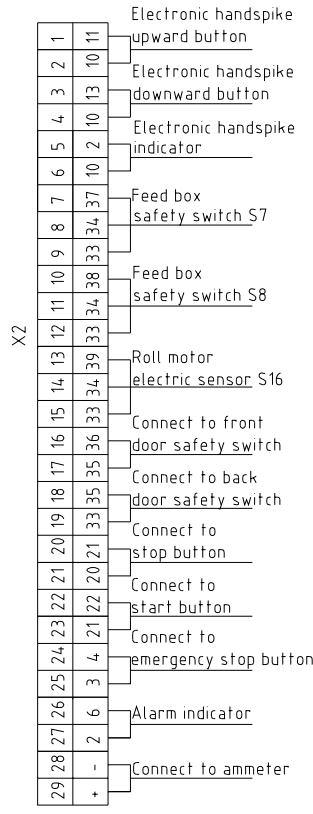
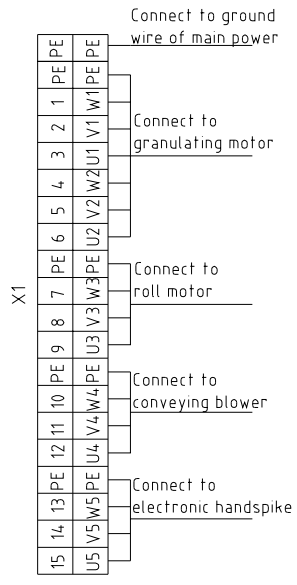
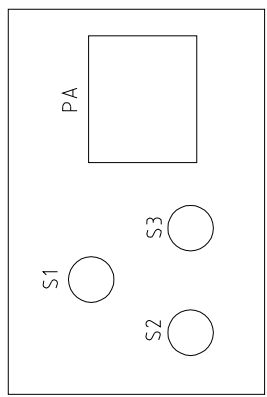
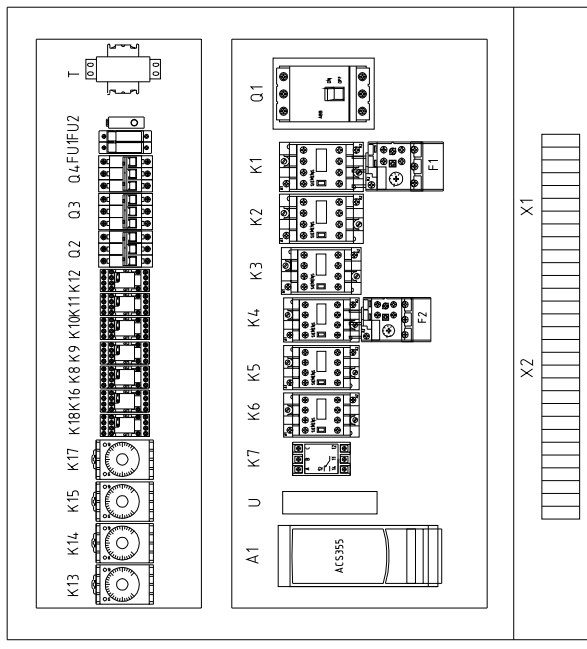


1 2 3 4 5 6 7 8

Control box door plate



Base plate of control box



Note: The power cables L1, L2, and L3 are connected to the main power circuit breaker interface without passing the terminal.

Mark	Before modification	Modified by	Modify date	Checked by	Proofread by	Designer	Drawer	Version	D	Title	SGF-2690	Drawing NO	Scale	Standard	GB	Page	Totally	Pages
VerB			20171011					Approved by		Electrical Components Layout	SGF-2690-GB-230V-D-5		Standard	GB	5	7	230V	50HZ



1 2 3 4 5 6 7 8

1	2		3	4	5	6	7	8
NO.	Symbol	Name	Manufacturer	Type	Specification	Number	Material number	Remark
1	Q1	Breakers interlock	ABB	A1A125TMF125	125A	1	YE411614-00000	
2	Q2	Circuit breakers	TECO	BM-63C	10A	1	YE40301003000	
3	Q3	Circuit breakers	TECO	BM-63C	20A	1	YE40302003000	A
4	Q4	Thermomagnet circuit breaker	CHNT	NS2-25	1.6-2.5A	1	YE10162500100	
5	K1 K2	Contacto	SIEMENS	3RT5036-1AC20	24VAC 50/60HZ	2	YE00503602600	
6	K3	Contacto	SIEMENS	3RT5035-1AC20	24VAC 50/60HZ	1	YE00503502600	
7		Auxiliary contact terminal	SIEMENS	3RH5921-1CA01	1NC	3	YE00592110100	
8		Auxiliary contact terminal	SIEMENS	3RH5921-1CA10	1NO	1	YE00592110000	
9	K4	Contacto	SIEMENS	3RT6017-1AB01	24VAC 50/60HZ	1	YE00601702500	
10	K5 K6	Contacto	SIEMENS	3RT6015-1AB02	24VAC 50/60HZ	2	YE00601502600	
11	K7	Phase sequence protector	CHAOSHI	ABJ1-10W-220V	220V 50/60HZ	1	YE03102200000	B
12	K8 K9 K10	Middle relay	WEIDMULLER	DRM270024LT	24VDC	3	YE032724-00000	
13	K11 K12	Middle relay	Honeywell	GR-2C-AC24V	24VAC	2	YE030224-00300	
14	K13	Time relay	YUYUN	TRF-N/3M	24VAC 50/60HZ	1	YE860324-00000	
15	K14 K15	Time relay	YUYUN	TH3M-NAB	3S-60M 24VAC	2	YE86123000000	
16	K16	Middle relay	WEIDMULLER	DRM270024LT	24VDC	1	YE032724-00000	
17	K17	Time relay	YUYUN	TH3M-NAB	3S-60M 24VAC	1	YE86123000000	
18	K18	Middle relay	Honeywell	GR-4C-AC24V	24VAC	1	YE030424-00300	
19	F1	Overload relay	SIEMENS	3RU5136-4FB0	28-40A	1	YE01513600100	C
20	F2	Overload relay	SIEMENS	3RU6116-1JB0	7-10A	1	YE01167100000	
21	FU1	Fuse base	CHNT	RT28-32	2P	1	YE41032200000	
22		Fuse	CHNT	10x38 500V	2A	2	YE46002000100	
23	FU2	Fuse	YINDA	FS-10	---	1	YE41001000000	
24		Glass fuse core	----	6x30	5A	1	YE46630500100	
25	A1	Frequency converter	ABB	ACS355-03E-04A7-2	230V 0.75kw	1	YE75355300300	
版本		VerB						
Notes: (1)Means it's not the material inside the control box.								
D				Title		Drawing NO		D
				SGF-2690		SGF-2690-GB-230V-D-6		Page 6
				Electrical Components List 1		Standard		Page 7
						GB		Totally 7
						Voltage		230V
Mark				Before modification		Frequency		50HZ
1	2		3	4	5	6	7	8



1	2		3	4	5	6	7	8
NO.	Symbol	Name	Manufacturer	Type	Specification	Number	Material number	Remark
26		Control pad	ABB	J4.04	---	1	YE8104.04.000000	
27	T	Transformer	BAIYUN	IN=230V OUT=24V	120VA	1	YE70023005500	
28	S1	Emergency stop button	SCHNEIDER	XB2BS542C	400VAC	1	YE11254200000	A
29	S2	Stop button	SCHNEIDER	XB2BA22C	400VAC	1	YE11222000000	
30	S11 S12	Button	ABB	CP1-11G-10	24VAC	2	YE11241100000	(1)
31	S3,H1	Start button	SCHNEIDER	XB2BW33B1C	24VAC	1	YE11233100000	
32	S4,S5	Safety switch	SCHMERSRC	AZ15ZVRK-1476-1+B1	AC-15	2	YE1614.7600100	(1)
33	S7 S8	Inductive sensor	CONTRINEX	DW-AD-621-M12	24VDC NPN N.O	2	YE90621120000	(1)
34	S16	Sensor	DELIN	DL-12	24VDC NPN	1	YE151224.00000	(1)
35	H2	Indicator	ABB	CL2-502G	24VAC	1	YE83050200100	(1)
36	H3	Alarm indicator	SHINI	LED-3051	24VAC	1	YE83305100900	
37	S13	Selection switch	ABB	C2SS2-10B-10	Ui=300V Ifh=5A	1	YE12210100000	
38	U	DC power	MEAN WELL	S 35-24	OUT=24VDC 15A	1	YE713524.00000	
39	TA1	Current transformer	RATIO	RQT-10	100/5A	1	YE04100500000	
40	PA	Ammeter	SFIM	DH-670	100/5A	1	YE25671000000	(1)
41	X1	Terminal board	NACHI	NCT-35PE	---	1	YE60003503500	
42		Terminal board	HONEYWELL	6mm ²	---	6	YE60000603200	
43		Terminal board	HONEYWELL	6mm ² PE	---	1	YE60000603500	
44		Terminal board	HONEYWELL	2.5mm ²	---	9	YE60002503200	
45		Terminal board	HONEYWELL	2.5mm ² PE	---	3	YE60002503400	
46	X2	Terminal board	HONEYWELL	2.5mm ²	---	28	YE60002503200	
47	M1	Motor	---	---	230V 50Hz 15kW	1	-----	(1)
48	M2	Motor	---	---	230V 50Hz 0.75kW	1	-----	(1)
49	M3	Motor	---	---	230V 50Hz 2.2kW	1	-----	(1)
50	M4	Electronic handspike motor	---	---	230V 50Hz	1	-----	(1)
版本 VerB								
Notes: (1)Means it's not the material inside the control box.								
D				Title	SGF-2690	Drawing NO	SGF-2690-GB-230V-D-7	Page
				Version	D	Electrical Components List 2	GB	7
Mark				Designer	Proofread by	Checked by	Voltage	230V
Before modification				Modified by	Modify date	Date	Frequency	50HZ
1				2	3	4	5	6
				7	8	9	10	11

