

- A
- ㊸ Main current
 - ㊹ Default granulating motor overload relay
 - ㊺ Granulating motor wire diameter
 - ㊻ Granulating motor power
 - ㊼ Granulating motor current
 - ㊽ The rated current of main power switch
 - ㊾ Granulating motor overload relay
 - ㊿ Main power wire dia.
 - ⓐ Granulating motor wire diameter
 - ⓑ Default granulating motor overload relay
 - ⓒ Conveying blower breaker rated current
 - ⓓ Conveying blower current
 - ⓔ The rated current of main power switch
 - ⓕ Granulating motor power
 - ⓖ Granulating motor current
 - ⓗ Conveying blower breaker rated current
 - ⓙ Conveying blower current
 - ⓚ Default granulating motor power
 - ⓛ Default granulating motor overload relay
 - ⓜ Conveying blower breaker rated current
 - ⓝ Conveying blower current
 - ⓞ Dust-removing blower wire dia.
 - ⓟ Dust-removing blower power
 - ⓠ Dust-removing blower current

Symbol Mode	Granulator Parameter							
	ⓐ	ⓑ	ⓒ	ⓓ	ⓔ	ⓕ		
SG-4360B	62.8	25	125	28-40	33	6	30	56
SG-4360BH/4390B	74.8	25	160	36-45	40	10	37	68
SG-4390BH	88.8	35	200	45-63	47.5	16	45	82

Symbol Mode	Optional conveying blower					
	ⓙ	ⓚ	ⓛ	ⓜ	ⓝ	ⓞ
SG-4360B	10	3.5-5	4.4	15	2.2	4.4
SG-4360BH/4390B	10	3.5-5	4.4	15	2.2	4.4
SG-4390BH	10	3.5-5	4.4	15	2.2	4.4

Symbol Mode	Optional dust-removing blower					
	ⓟ	ⓠ	ⓡ	ⓢ	ⓣ	ⓤ
SG-4360B	6	2.2-3.2	2.2	1.5	1.1	2.2
SG-4360BH/4390B	6	2.2-3.2	2.2	1.5	1.1	2.2
SG-4390BH	6	2.2-3.2	2.2	1.5	1.1	2.2

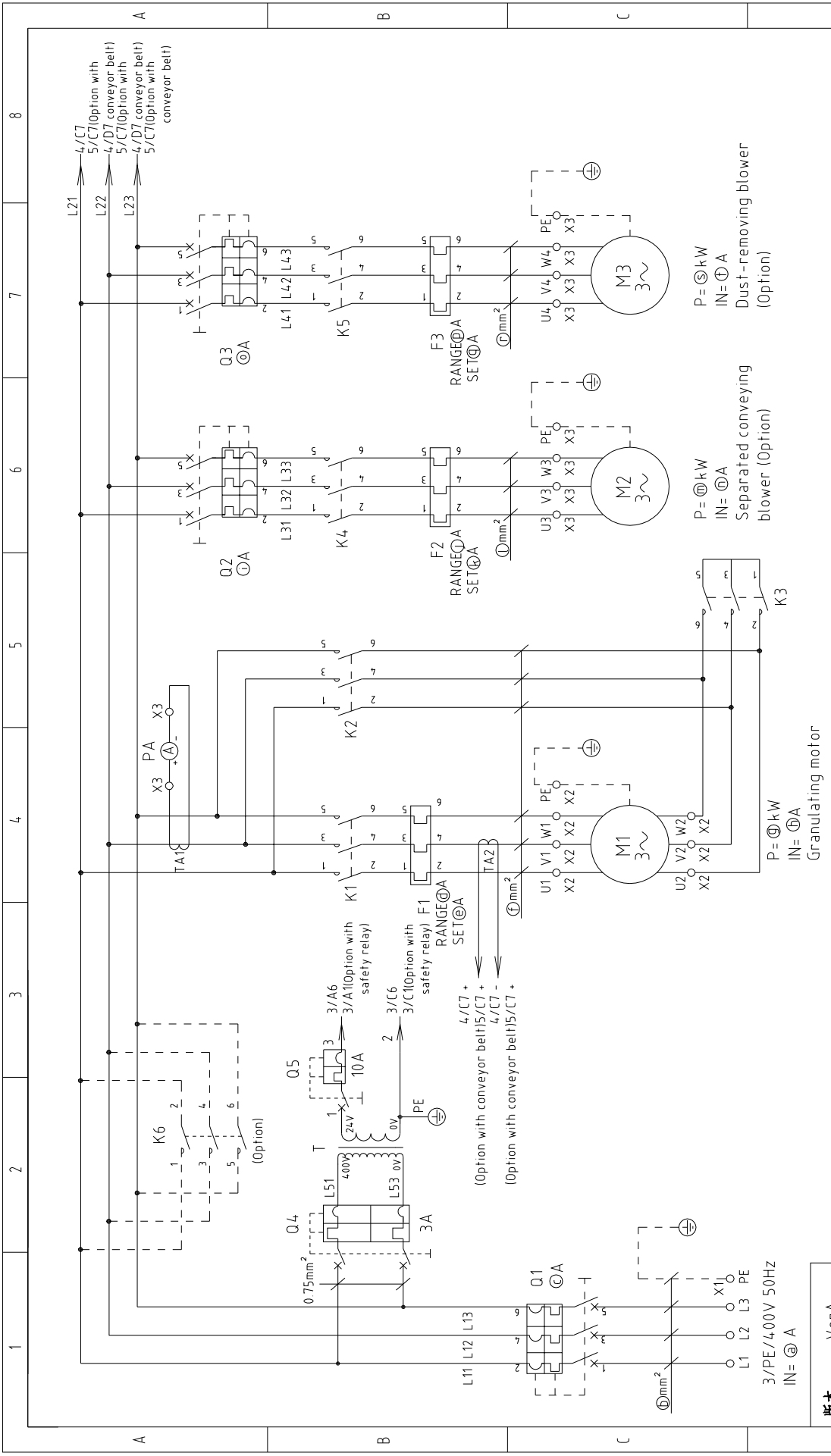
Symbol Mode	Optional large power blower					
	ⓖ	ⓗ	ⓙ	ⓚ	ⓛ	ⓜ
SG-4360B	32	14-20	16	2.5	7.5	16
SG-4360BH/4390B	32	14-20	16	2.5	7.5	16
SG-4390BH	32	14-20	16	2.5	7.5	16

版本	Ver A
Mark	Before modification
Mark	After modification

Title	SG-4360B(H)/4390B(H)	Drawing NO	SG-43B系列-CE-400V-C-1	Scale	Page 1
	Parameter List of Circuit Diagram		SG-43B系列-CE-400V-C-1		Totally 15 Pages
Version	C	Designer		Standard	CE
Approved by		Proofread by		Voltage	400V
Date	20190104	Checked by		Frequency	50HZ

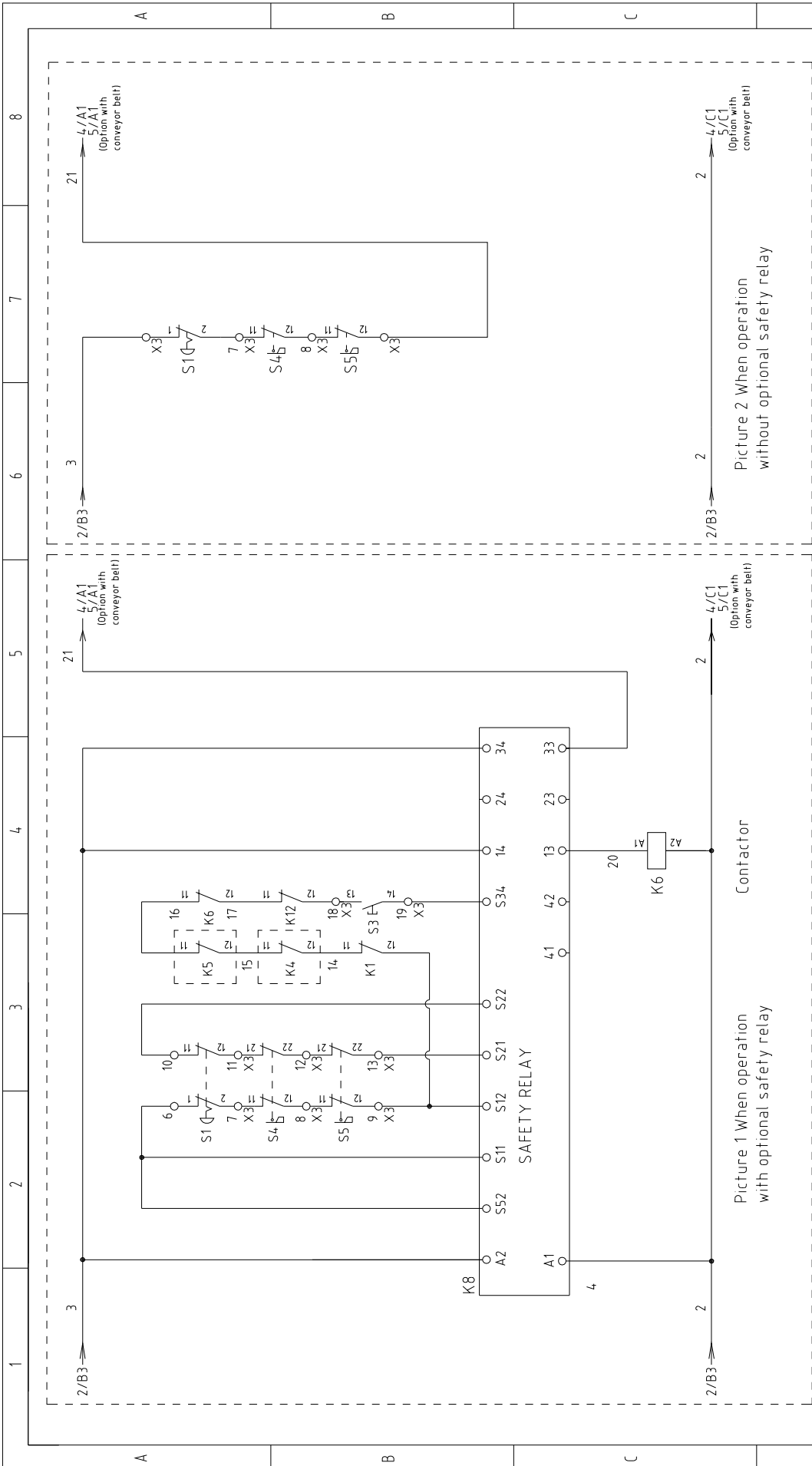


信易電熱機械股份有限公司
Shini Plastics Technologies, Inc.



版本 VerA		Figure C		Title SG-4.3B系列-CE-400V-C-2 Main Circuit Diagram		Drawing NO SG-4.3B系列-CE-400V-C-2		Scale Standard CE		Page 2	
Mark Before modification		Designer		Approved by		Version		Standard Voltage Frequency		Totally Pages	
After modification		Proofread by		Date 20190104		Checked by		Voltage 400V		Pages 15	
Modify date		Checked by		Date 20190104		Checked by		Frequency 50HZ		Pages 15	
Modified by		Checked by		Date 20190104		Checked by		Frequency 50HZ		Pages 15	
Modified by		Checked by		Date 20190104		Checked by		Frequency 50HZ		Pages 15	

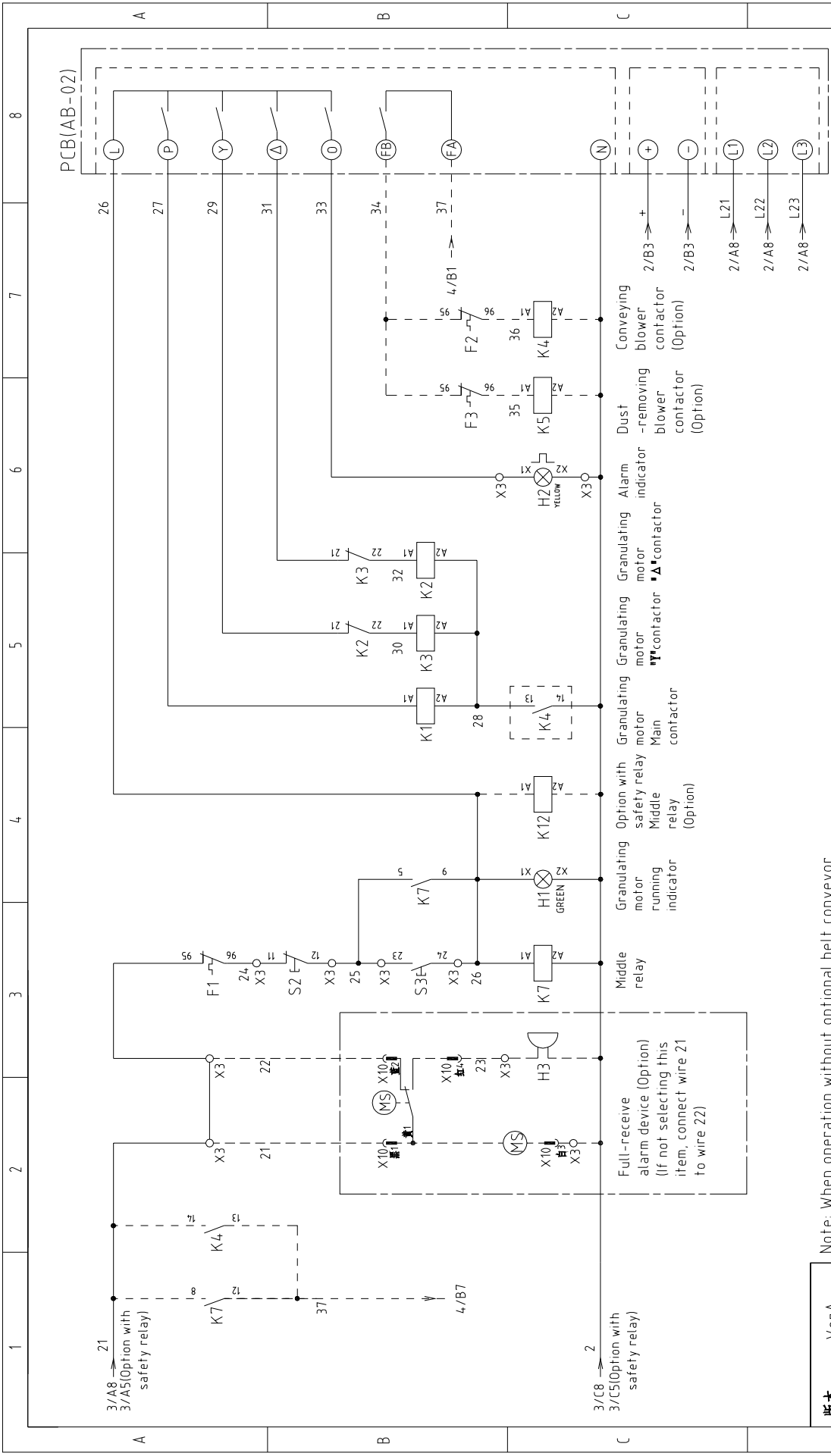





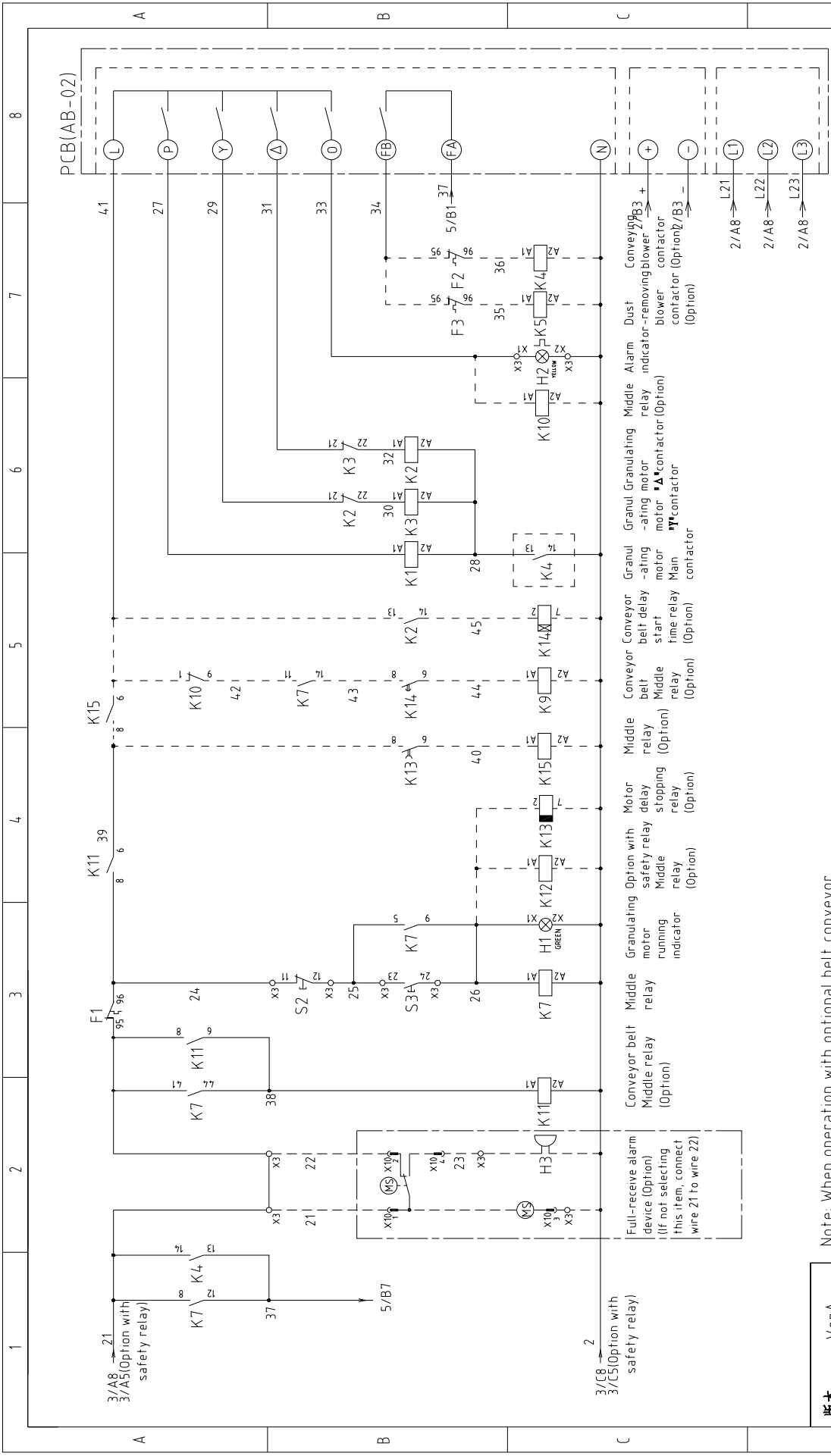
版本	Ver A
Mark	Before modification
	Modified by
	Modify date
	Checked by
	Proofread by
	Designer
	Drawer
	Approved by
	Version
	C

Control Circuit Diagram 1	SG-4-360B(H)/4-390B(H)	SG-4-3B系列-CE-400V-C-3	Scale	CE	Page	3
Title			Standard	Voltage	Totally	Pages
SHINI				400V	15	
信易电热机械股份有限公司 Shini Plastics Technologies, Inc.				Frequency		
Date				50HZ		
20190104						

1	2	3	4	5	6	7	8
Drawing NO							
SG-4-3B系列-CE-400V-C-3							
Picture 1 When operation with optional safety relay							
Picture 2 When operation without optional safety relay							
Voltage							
400V							
Frequency							
50HZ							



版本	VerA	Title	SG-4 360B(H)/4.390B(H)		Drawing NO	SG-4 3B系列-CE-400V-C-4		Scale	Standard	CE	Page	4
	Mark		Before modification	Modified by		Modify date	Checked by		Proofread by	Designer		Drawer
Note: When operation without optional belt conveyor.												
Control Circuit Diagram 2												
 信易電熱機械股份有限公司 Shini Plastics Technologies, Inc.												
Voltage											400V	
Frequency											50HZ	
Totally											15	
Pages											8	



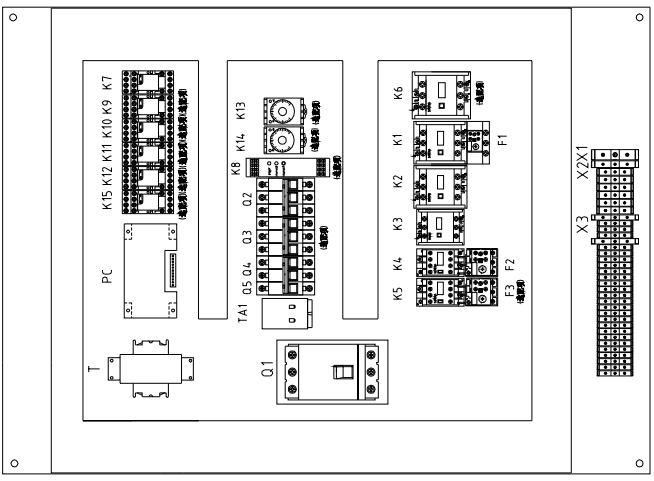
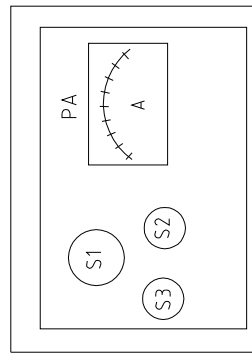
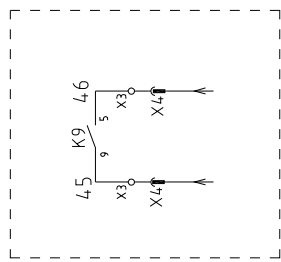
版本	VerA	Title	SG-4-360B(H)/4-390B(H)		Scale	Page	5
			Control Circuit Diagram 3	Standard		CE	Totally
Mark	Before modification	Date	20190104		Voltage	400V	
	After modification					Frequency	50HZ
		Title		SG-4-3B系列-CE-400V-C-5		Page	
		Version		C		Totally	
		Approved by				Pages	
		Designer				Voltage	
		Proofread by				Frequency	
		Checked by				400V	
		Modify date				50HZ	
		Date		20190104		8	

Note: When operation with optional belt conveyor.

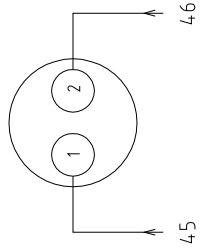


Drawing NO

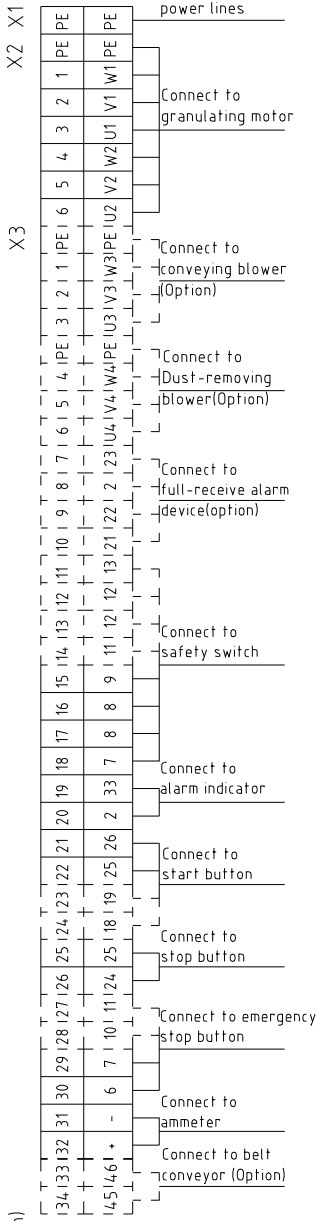
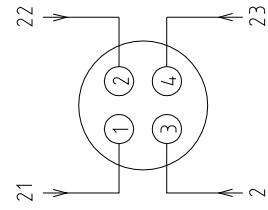
Control contact wiring diagram in collocation with belt conveyor



X4 Connection diagram of metal connectors
Connect to belt conveyor (Option)



X10 Connection diagram of metal connectors
Connect to full-receive alarm device (Option)



版本	Ver A	Note: when safety relay isn't the option, change terminal No.6 to No.3, No. 9 to No.21.	
Mark	Before modification	Modified by	
	After modification	Checked by	
		Proofread by	
		Designer	
		Drawer	
		Version	
		Approved By	
		Date	20190104

Drawing NO		SG-4.3B系列-CE-4.00V-C-6	
Title		SG-4.360B(H)/4.390B(H) Electrical Components Layout	
Scale	Standard	CE	
Page	6	Voltage	400V
Totally	15	Frequency	50HZ



1	2	3	4	5	6	7	8	
NO.	Symbol	Name	Manufacturer	Type	Specification	Number	Material number	Remark
1	Q1	Breaker interlock	ABB	A1A125TMF125	125A	1	YE4.11614.00000	
2	Q2	Circuit-breaker	TECO	BM-63C/3P	10A	1	YE4.0301003000	(6)
3	Q2	Circuit-breaker	TECO	BM-63C/3P	32A	1	YE4.0303203000	(7)
4	Q3	Circuit-breaker	TECO	BM-63C/3P	6A	1	YE4.0300603000	(2)
5	Q4	Circuit-breaker	TECO	BM-63C/2003S 2P	3A	1	YE4.0200203000	
6	Q5	Circuit-breaker	TECO	BM-63C/1010S 1P	10A	1	YE4.0101000100	
7	K1,K2	Contacto	SIEMENS	3RT5035-1AC20	24VAC 50/60Hz	2	YE00503502600	
8		Auxiliary contacto	SIEMENS	3RH5921-1CA01	1NC	1	YE00592110100	(4)
9		Auxiliary contacto	SIEMENS	3RH5921-1CA01	1NC	1	YE00592110100	
10		Auxiliary contacto	SIEMENS	3RH5921-1CA10	1NO	1	YE00592110000	(5)
11	K3	Contacto	SIEMENS	3RT6028-1AC20	24VAC 50/60Hz	1	YE00602802600	
12	K4	Contacto	SIEMENS	3RT6016-1AB01	24VAC 50/60Hz	1	YE00601602500	(6)
13	K4	Contacto	SIEMENS	3RT6026-1AB01	24VAC 50/60Hz	1	YE00602602600	(7)
14		Auxiliary contacto	SIEMENS	3RH6911-1HA11	1NC+1NO	1	YE00691100100	(6)
15	K5	Contacto	SIEMENS	3RT6016-1AB02	24VAC 50/60Hz	1	YE00601602600	(2)
16	K6	Contacto	SIEMENS	3RT5045-1AC20	24VAC 50/60Hz	1	YE00504502600	(4)
17		Auxiliary contacto	SIEMENS	3RH5921-1CA01	1NC	1	YE00592110100	(4)
18	K7	Middle relay	Honeywell	GR-2C-AC24V	24VAC	1	YE030224.00300	
19	K7	Middle relay	Honeywell	GR-4C-AC24V	24VAC	1	YE030424.00300	(5)
20	K8	Safety relay	PILZ	PN0Zx2 8P	24V AC/DC	1	YE04.023000000	(4)
21	T	Transformer	BAIYUN	IN=400V/OUT=24V	180VA	1	YE704.024.00800	
22	K9 K10 K11 K15	Middle relay	Honeywell	GR-2C-AC24V	24VAC	4	YE030224.00300	(5)
23	K12	Middle relay	Honeywell	GR-2C-AC24V	24VAC	1	YE030224.00300	(4)
24	K13	Timer	YUYUN	TRF-N/3M	24VAC	1	YE860324.00000	(5)
25	K14	Timer	YUYUN	TH3A-NAB 60S	24VAC	1	YE866024.00300	(5)
版本	Ver A	Notes: (1)Means it's not the material inside the control box (2) Means optional accessories of dedusting blower (3) Means optional accessories of full-receive alarm device (4)Stand for optional safety relay (5)Stand for conveying belt optional accessories (6)Means accessories for material conveying blower (7)Stand for options of the feeding blower to increase the power.		Drawing NO		Scale		Page
		Drawer	Version	Title		Standard	CE	7
		Designer	Approved by	SG-4 360B		Standard	CE	15
		Proofread by		Electrical Components list 1		Standard	CE	Pages
Mark	Before modification	Modified by	Date	SG-4 3B系列-CE-400V-C-7		Voltage	400V	
1	2	3	4	SHINI		Frequency	50HZ	8
				信易電熱機械股份有限公司				
				Shini Plastics Technologies, Inc.				

1	2	3	4	5	6	7	8		
NO.	Symbol	Name	Manufacturer	Type	Specification	Number	Material number	Remark	
26	F1	Overload relay	SIEMENS	3RU5136-4FB0	28-4.0A	1	YE01513600100		
27	F2	Overload relay	SIEMENS	3RU6116-1FB0	3.5-5A	1	YE01160350000	(6)	
28	F2	Overload relay	SIEMENS	3RU6126-4BB0	14-20A	1	YE0126014.0000	(7)	
29	F3	Overload relay	SIEMENS	3RU6116-1DB0	2.2-3.2A	1	YE01160220000	(2)	
30	S1	Emergency stop button	SCHNEIDER	XB2BS542C	4.00VAC	1	YE11254200000	(1)	
31		Contact block	SCHNEIDER	ZB2BE102C	1NC	1	YE00210203100	(1)(4)	
32	S2	Stop button	SCHNEIDER	XB2BA22C	4.00VAC	1	YE11222000000	(1)	
33	S3,H1	Start button	SCHNEIDER	XB2BW33B1C	24VAC	1	YE11233100000	(1)	
34		Contact block	SCHNEIDER	ZB2BE101C	1NO	1	YE00210103100	(1)(4)	
35	S4,S5	Safety switch	SCHMERSRC	AZ15-02ZVRK-14.76	24VAC	2	YE1614.7600100	(1)	
36	S4,S5	Safety switch	SCHMERSRC	AZ16-02ZVRK-14.76	24VAC	2	YE1614.7600000	(1)(4)	
37	H2	Alarm lamp	SHINI	LED-3051	24VAC 50/60HZ	1	YE83305100900	(1)	
38	H3	Buzzer	TEND	EA-2	24VAC	1	YE84240200000	(1)(3)	
39	MS	Material level motor	SHINI	SR-80	24VAC	1	YE15802400100	(1)(3)	
40	X1	Terminal	Honeywell	16mm ² PE	---	1	YE60001603500		
41	X2	Terminal	Honeywell	6mm ²	---	6	YE60000603200		
42			Honeywell	6mm ² PE	---	1	YE60000603500		
43	X3	Terminal	Honeywell	2.5mm ²	---	14	YE60002503200		
44			Honeywell	2.5mm ²	---	3	YE60002503200	(6)/(7)	
45			Honeywell	2.5mm ² PE	---	1	YE60002503400	(6)/(7)	
46			Honeywell	2.5mm ²	---	3	YE60002503200	(2)	
47			Honeywell	2.5mm ² PE	---	1	YE60002503400	(2)	
48			Honeywell	2.5mm ²	---	4	YE60002503200	(3)	
49			Honeywell	2.5mm ²	---	2	YE60002503200	(5)	
50			Honeywell	2.5mm ²	---	8	YE60002503200	(4)	
版本	VerA	Notes: (1)Means it's not the material inside the control box (2) Means optional accessories of dedusting blower.(3) Means optional accessories of full-receive alarm device. (4)Stand for optional safety relay (5)Stand for conveying belt optional accessories (6)Means accessories for material conveying blower (7)Stand for options of the feeding blower to increase the power.			Drawing NO SG-4.3B系列-CE-400V-C-8			Scale Standard	Page 8
Mark	Before modification	Modified by	Modify date	Version	Electrical Components List 2		Standard	Totally 15	
	After modification	Checked by	Date	Approved by	SHINI		Voltage 400V	Pages 50HZ	
		Designer	20191014		SHINI 信易电热机械股份有限公司 Shini Plastics Technologies, Inc.		Frequency 50HZ		
1	2	3	4	5	6	7	8		

1		2		3		4		5		6		7		8	
No.	Symbol	Name	Manufacturer	Type	Specification	Number	Material number	Remark							
51	X4	Metal connector	SHINI	PLT-162-RR(公)	2P	1	YE68016200100	(1)(5)							
52	X10	Metal connector	SHINI	PLT-254-PM	4P	1	YE68025400000	(1)(3)							
53			SHINI	PLT-254-RF	4P	1	YE68025400100	(1)(3)	A						
54	PCB	PCB	YUYUN	AB-02	24VAC	1	YE80022400100								
55	PA	Ammeter	SFIM	DH-670	100/5A	1	YE25671000000	(1)							
56	TA1	Current transformer	RATIO	ROT-10	100/5A	1	YE04100500000								
57	TA2	Current transformer	YUYUN	-----	5-100A	1	-----								
58	M1	Granulating motor	SIEMENS	-----	400V 50Hz 30kW	1	-----	(1)							
59	M2	Conveying blower	----	-----	400V 50Hz 3kW	1	---	(1)(6)							
60	M2	Conveying blower	----	-----	400V 50Hz 7.5kW	1	---	(1)(7)							
61	M3	Dust-removing blower	----	-----	400V 50Hz 1.1kW	1	---	(1)(2)	B						
C															
D															
版本		Ver A													
Notes: (1)Means it's not the material inside the control box (2) Means optional accessories of dedusting blower (3) Means optional accessories of full-receive alarm device (4) Stand for optional safety relay (5) Stand for conveying belt optional accessories (6) Means accessories for material conveying blower (7) Stand for options of the feeding blower to increase the power.															
				Title		Version		C		Drawing NO		Scale		Page	
				SG-4360B						SG-43B系列-CE-400V-C-9		Standard		9	
				Electrical Components List 3								CE		Totally 15 Pages	
						Approved by						Voltage		400V	
				Date		20191014						Frequency		50HZ	
 信易電熱機械股份有限公司 Shini Plastics Technologies, Inc.															
1															
2															
3															
4															
5															
6															
7															
8															

1	2		3	4	5	6	7	8
NO.	Symbol	Name	Manufacturer	Type	Specification	Number	Material number	Remark
1	Q1	Breaker interlock	ABB	AZB250TMF160	160A	1	YE4.1161500000	
2	Q2	Circuit-breaker	TECO	BM-63C/3P	10A	1	YE4.0301003000	(6)
3	Q2	Circuit-breaker	TECO	BM-63C/3P	32A	1	YE4.0303203000	(7)
4	Q3	Circuit-breaker	TECO	BM-63C/3P	6A	1	YE4.0300603000	(2)
5	Q4	Circuit-breaker	TECO	BM-63C/2003S 2P	3A	1	YE4.0200203000	
6	Q5	Circuit-breaker	TECO	BM-63C/1010S 1P	10A	1	YE4.0101000100	
7	K1,K2	Contacto	SIEMENS	3RT5036-1AC20	24VAC 50/60Hz	2	YE00503602600	
8	K3	Contacto	SIEMENS	3RT5035-1AC20	24VAC 50/60Hz	1	YE00503502600	
9		Auxiliary contactor	SIEMENS	3RH5921-1CA01	1NC	2	YE00592110100	
10		Auxiliary contactor	SIEMENS	3RH5921-1CA10	1NO	1	YE00592110000	(5)
11		Auxiliary contactor	SIEMENS	3RH5921-1CA01	1NC	1	YE00592110100	(4)
12	K4	Contacto	SIEMENS	3RT6016-1AB01	24VAC 50/60Hz	1	YE00601602500	(6)
13	K4	Contacto	SIEMENS	3RT6026-1AB01	24VAC 50/60Hz	1	YE00602602600	(7)
14		Auxiliary contactor	SIEMENS	3RH6911-1HA11	1NC+1NO	1	YE00691100100	(6)
15	K5	Contacto	SIEMENS	3RT6016-1AB02	24VAC 50/60Hz	1	YE00601602600	(2)
16	K6	Contacto	SIEMENS	3RT5046-1AC20	24VAC 50/60Hz	1	YE00504602600	(4)
17		Auxiliary contactor	SIEMENS	3RH5921-1CA01	1NC	1	YE00592110100	(4)
18	K7	Middle relay	Honeywell	GR-2C-AC24V	24VAC	1	YE030224.00300	
19	K7	Middle relay	Honeywell	GR-4C-AC24V	24VAC	1	YE030424.00300	(5)
20	K8	Safety relay	PILZ	PN0Zx2 8P	24V AC/DC	1	YE04.0230000000	(4)
21	K9 K10 K11 K15	Middle relay	Honeywell	GR-2C-AC24V	24VAC	4	YE030224.00300	(5)
22	K12	Middle relay	Honeywell	GR-2C-AC24V	24VAC	1	YE030224.00300	(4)
23	K13	Timer	YUYUN	TRF-N/3M	24VAC	1	YE860324.00000	(5)
24	K14	Timer	YUYUN	TH3A-NAB 60S	24VAC	1	YE866024.00300	(5)
25	F1	Overload relay	SIEMENS	3RU5136-4GB0	36-45A	1	YE01612660000	
版本 VerA Notes: (1)Means it's not the material inside the control box (2) Means optional accessories of dedusting blower (3) Means optional accessories of full-receive alarm device (4)Stand for optional safety relay (5)Stand for conveying belt optional accessories (6)Means accessories for material conveying blower (7)Stand for options of the feeding blower to increase the power								
				Version	C	Title		D
				Designer		SG-4.360BH/4.390B		Scale
				Proofread by		Electrical Components list 1		Standard
				Cheched by		SG-4.3B系列-CE-4.00V-C-10		CE
				Modify date				Page
				After modification				Totally
								Pages
								Voltage
								Frequency
								400V
								50HZ
								8



信易電熱機械股份有限公司
Shini Plastics Technologies, Inc.

1	2	3	4	5	6	7	8	
NO.	Symbol	Name	Manufacturer	Type	Specification	Number	Material number	Remark
26	F2	Overload relay	SIEMENS	3RU6116-1FB0	3.5-5A	1	YE01160350000	(6)
27	F2	Overload relay	SIEMENS	3RU6126-4BB0	14-20A	1	YE01260140000	(7)
28	F3	Overload relay	SIEMENS	3RU6116-1DB0	2.2-3.2A	1	YE01160220000	(2)
29	S1	Emergency stop button	SCHNEIDER	XB2BS542C	400VAC	1	YE11254200000	(1)
30		Contact block	SCHNEIDER	ZB2BE102C	1NC	1	YE00210203100	(1)(4)
31	S2	Stop button	SCHNEIDER	XB2BA22C	400VAC	1	YE11222000000	(1)
32	S3,H1	Start button	SCHNEIDER	XB2BW33B1C	24VAC	1	YE11233100000	(1)
33		Contact block	SCHNEIDER	ZB2BE101C	1NO	1	YE00210103100	(1)(4)
34	S4,S5	Safety switch	SCHMERSRC	AZ16-02ZYRK-14.76	230VAC	2	YE16147600000	(1)(4)
35	S4,S5	Safety switch	SCHMERSRC	AZ15-02ZYRK-14.76	230VAC	2	YE16147600100	(1)
36	H2	Alarm lamp	SHINI	LED-3051	24VAC 50/60Hz	1	YE83305100900	(1)
37	H3	Buzzer	TEND	EA-2	24VAC	1	YE84240200000	(1)(3)
38	MS	Material level motor	SHINI	SR-80	24VAC	1	YE15802400100	(1)(3)
39	T	Transformer	BAIYUN	IN=400V/OUT=24V	230VA	1	YE70402400900	
40	TA1	Current transformer	RATIO	RQT-35	100/5A	1	YE04100500000	
41	PA	Ammeter	SFIM	DH-670	100/5A	1	YE25671000000	(1)
42	PCB	PCB	YUYUN	AB-02	24VAC	1	YE80022400100	
43	TA2	Current transformer	YUYUN	-----	5-100A	1	-----	
44	X1	Terminal	Honeywell	16mm ² PE	---	1	YE60001603500	
45	X2	Terminal	Honeywell	10mm ²	---	6	YE60001003200	
46			Honeywell	10mm ² PE	---	1	YE60001003500	
47	X3	Terminal	Honeywell	2.5mm ²	---	14	YE60002503200	
48			Honeywell	2.5mm ²	---	3	YE60002503200	(6)/(7)
49			Honeywell	2.5mm ² PE	---	1	YE60002503400	(6)/(7)
50			Honeywell	2.5mm ²	---	3	YE60002503200	(2)
版本 VerA Notes: (1)Means it's not the material inside the control box (2) Means optional accessories of dedusting blower.(3) Means optional accessories of full-receive alarm device. (4)Stand for optional safety relay.(5)Stand for conveying belt optional accessories (6)Means accessories for material conveying blower.(7)Stands for options of the feeding blower to increase the power								
			Version	C	Title SG-4 360BH/4 390B Electrical Components List 2		Scale	Page 11
			Designer	Approved by	SG-4 3B系列-CE-400V-C-11		Standard	Totally 15 Pages
			Proofread by	Date	Voltage		400V	
			Checked by	20191014	Frequency		50HZ	
			Modify date					
			After modification					
			Modified by					



信易電熱機械股份有限公司
Shini Plastics Technologies, Inc.

1		2		3		4		5		6		7		8		
No.	Symbol	Name	Manufacturer	Type	Specification	Number	Material number	Remark								
51			Honeywell	2.5mm ² PE	---	1	YE60002503400	(2)								
52			Honeywell	2.5mm ²	---	4	YE60002503200	(3)								
53			Honeywell	2.5mm ²	---	2	YE60002503200	(5)								
54			Honeywell	2.5mm ²	---	8	YE60002503200	(4)								
55	X10	Metal connector	SHINI	PLT-254-PM	4P	1	YE68025400000	(1)(3)								
56			-----	PLT-254-RF	4P	1	YE68025400100	(1)(3)								
57	M1	Granulating motor	SIEMENS	----	400V 50Hz 37kW	1	---	(1)								
58	M2	Conveying blower	----	----	400V 50Hz 3kW	1	---	(1)(6)								
59	M2	Conveying blower	----	----	400V 50Hz 7.5kW	1	---	(1)(7)								
60	M3	Dust-removing blower	----	----	400V 50Hz 1.1kW	1	---	(1)(2)								
									B							
									C							
<p>版本 VerA</p> <p>Notes: (1)Means it's not the material inside the control box (2) Means optional accessories of dedusting blower.(3) Means optional accessories of full-receive alarm device (4)Stand for optional safety relay (5)Stand for conveying belt optional accessories(6)Means accessories for material conveying blower (7)Stand for options of the feeding blower to increase the power.</p>																
Mark			Before modification		Modified by		Modify date		Checked by		Approved by		Date		20191014	
D			VerA		C		Version		C		Title		SG-4 360BH/4.390B		Drawing NO	
													SG-4 3B系列-CE-4.00V-C-12		Standard	
													CE		Page 12	
													Voltage		400V	
													Frequency		50HZ	
													Totally		15 Pages	
															8	



信易電熱機械股份有限公司
Shini Plastics Technologies, Inc.

1	2		3	4	5	6	7	8
NO.	Symbol	Name	Manufacturer	Type	Specification	Number	Material number	Remark
1	Q1	Breaker interlock	ABB	AZB250TMF200	200A	1	YE4.1252200000	
2	Q2	Circuit-breaker	TECO	BM-63C/3P	10A	1	YE4.0301003000	(6)
3	Q2	Circuit-breaker	TECO	BM-63C/3P	32A	1	YE4.0303203000	(7)
4	Q3	Circuit-breaker	TECO	BM-63C/3P	6A	1	YE4.0300603000	(2)
5	Q4	Circuit-breaker	TECO	BM-63C/2003S 2P	3A	1	YE4.0200203000	
6	Q5	Circuit-breaker	TECO	BM-63C/1010S 1P	10A	1	YE4.0101000100	
7	K1,K2	Contactor	SIEMENS	3RT5044-1AC20	24VAC 50/60Hz	2	YE005044.02600	
8	K3	Contactor	SIEMENS	3RT5036-1AC20	24VAC 50/60Hz	1	YE00503602600	
9		Auxiliary contactor	SIEMENS	3RH5921-1CA01	1NC	2	YE00592110100	
10		Auxiliary contactor	SIEMENS	3RH5921-1CA10	1NO	1	YE00592110000	(5)
11		Auxiliary contactor	SIEMENS	3RH5921-1CA01	1NC	1	YE00592110100	(4)
12	K4	Contactor	SIEMENS	3RT6016-1AB01	24VAC 50/60Hz	1	YE00601602500	(6)
13	K4	Contactor	SIEMENS	3RT6026-1AB01	24VAC 50/60Hz	1	YE00602602600	(7)
14		Auxiliary contactor	SIEMENS	3RH6911-1HA11	1NC+1NO	1	YE00691100100	(6)
15	K5	Contactor	SIEMENS	3RT6016-1AB02	24VAC 50/60Hz	1	YE00601602600	(2)
16	K6	Contactor	SIEMENS	3RT5054-1AB36	24V 50/60Hz	1	YE005054.00900	(4)
17	K7	Middle relay	Honeywell	GR-2C-AC24V	24VAC	1	YE030224.00300	
18	K7	Middle relay	Honeywell	GR-4C-AC24V	24VAC	1	YE030424.00300	(5)
19	K8	Safety relay	PILZ	PN0Z x 2 8P	24V AC/DC	1	YE04.0230000000	(4)
20	K9 K10 K11 K15	Middle relay	Honeywell	GR-2C-AC24V	24VAC	4	YE030224.00300	(5)
21	K12	Middle relay	Honeywell	GR-2C-AC24V	24VAC	1	YE030224.00300	(4)
22	K13	Timer	YUYUN	TRF-NV/3M	24VAC	1	YE860324.00000	(5)
23	K14	Timer	YUYUN	TH3A-NAB 60S	24VAC	1	YE866024.00300	(5)
24	F1	Overload relay	SIEMENS	3RU5146-4 JB0	45-63A	1	YE015146.40000	
25	F2	Overload relay	SIEMENS	3RU6116-1FB0	3.5-5A	1	YE01160350000	(6)
版本	Ver A	Notes: (1)Means it's not the material inside the control box (2) Means optional accessories of dedusting blower (3) Means optional accessories of full-receive alarm device (4) Stand for optional safety relay (5) Stand for conveying belt optional accessories (6) Means accessories for material conveying blower (7) Stands for options of the feeding blower to increase the power.		Drawing NO		Scale		Page 13
		Designer	Version	C	SG-4 390BH		Standard	CE
		Proofread by	Approved by	Electrical Components list 1		SG-4 3B系列-CE-4.00V-C-13		Voltage
		Checked by	Date	20191014		Frequency		400V
Mark	Before modification	Modified by	Modify date			Frequency		50HZ
1	2	3	4	5	6	7	8	



信易電熱機械股份有限公司
Shini Plastics Technologies, Inc.

1	2	3	4	5	6	7	8	
NO.	Symbol	Name	Manufacturer	Type	Specification	Number	Material number	Remark
26	F2	Overload relay	SIEMENS	3RU6126-4BB0	14-20A	1	YE0126014-0000	(7)
27	F3	Overload relay	SIEMENS	3RU6116-1DB0	2.2-3.2A	1	YE01160220000	(2)
28	S1	Emergency stop button	SCHNEIDER	XB2BS542C	4.00VAC	1	YE11254200000	(1)
29		Contact block	SCHNEIDER	ZB2BE102C	1NC	1	YE00210203100	(1)(4)
30	S2	Stop button	SCHNEIDER	XB2BA22C	4.00VAC	1	YE11222000000	(1)
31	S3,H1	Start button	SCHNEIDER	XB2BW33B1C	24VAC	1	YE11233100000	(1)
32		Contact block	SCHNEIDER	ZB2BE101C	1NO	1	YE00210103100	(1)(4)
33	S4,S5	Safety switch	SCHMERSRC	AZ15-02ZVRK-14.76	230VAC	2	YE1614.7600100	(1)
34	S4,S5	Safety switch	SCHMERSRC	AZ16-02ZVRK-14.76	230VAC	2	YE1614.7600000	(1)(4)
35	H2	Alarm lamp	SHINI	LED-3051	24VAC 50/60Hz	1	YE83305100900	(1)
36	H3	Buzzer	TEND	EA-2	24VAC	1	YE84240200000	(1)(3)
37	MS	Material level motor	SHINI	SR-80	24VAC	1	YE15802400100	(1)(3)
38	T	Transformer	BAYUN	IN=400V/OUT=24V	350VA	1	YE70402400900	
39	TA1	Current transformer	RATIO	RCT-35	150/5A	1	YE04150500000	
40	PA	Ammeter	SFIM	DH-670	150/5A	1	YE25671500000	
41	PCB	PCB	YUYUN	AB-02	24VAC	1	YE80022400100	
42	TA2	Current transformer	YUYUN	-----	5-100A	1	-----	
43	X1	Terminal	Honeywell	16mm ² PE	---	1	YE60001603500	
44	X2	Terminal	Honeywell	16mm ²	---	6	YE60001603200	
45			Honeywell	16mm ² PE	---	1	YE60001603500	
46	X3	Terminal	Honeywell	2.5mm ²	---	14	YE60002503200	
47			Honeywell	2.5mm ²	---	3	YE60002503200	(6)
48			Honeywell	2.5mm ² PE	---	1	YE60002503400	(6)
49			Honeywell	2.5mm ²	---	3	YE60002503200	(2)
50			Honeywell	2.5mm ² PE	---	1	YE60002503400	(2)
版本 VerA Notes: (1)Means it's not the material inside the control box (2) Means optional accessories of dedusting blower.(3) Means optional accessories of full-receive alarm device. (4)Stand for optional safety relay.(5)Stand for conveying belt optional accessories.(6)Means accessories for material conveying blower.(7)Stands for options of the feeding blower to increase the power.								
			Drawer	Version	Title		Scale	
			Designer	Approved by	SG-4390BH		Standard	Page 14
			Proofread by		Electrical Components List 2		CE	Totally 15 Pages
			Checked by	Date			Voltage	400V
			Modify date				Frequency	50HZ



信易电热机械股份有限公司
Shini Plastics Technologies, Inc.

SG-43B系列-CE-400V-C-14

