

1 2 3 4 5 6 7 8

A A

B B

C C

D D

- Ⓐ Circuit breaker
- Ⓑ Default mixing motor overload relay
- Ⓒ Mixing motor power
- Ⓓ Mixing motor current

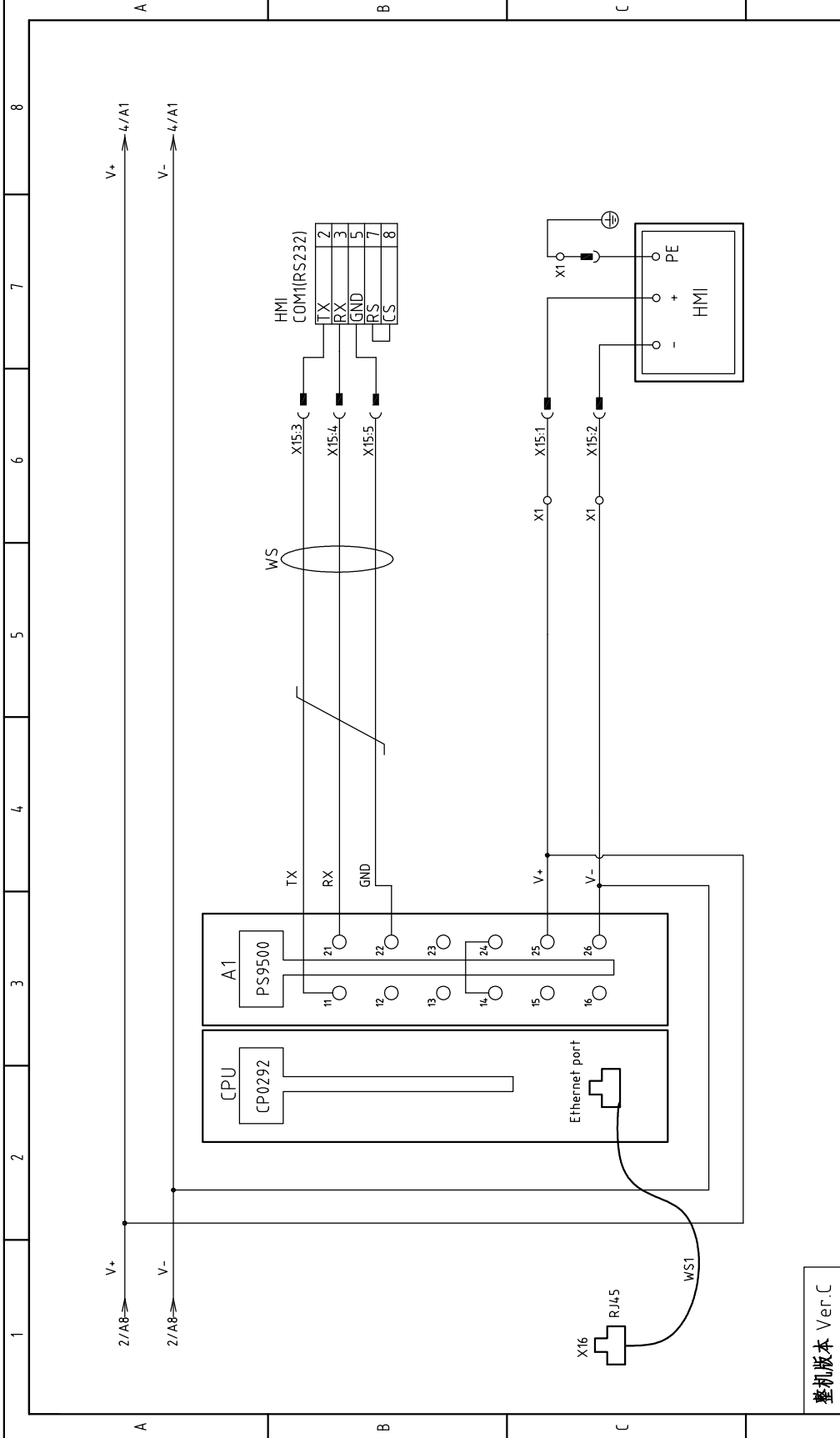
Mode	Symbol	Ver.	Ⓐ	Ⓑ	Ⓒ	Ⓓ
SGB-40-4		Ver.C	6	0.8	0.25	0.7
SGB-200-4		Ver.C	6	0.8	0.25	0.7
SGB-600-4		Ver.C	6	1.6	0.55	1.4

盤机版本 Ver.C

Mark	Before modification	After modification	Modified by	Modify date	Checked by	Proffread by	Designer	Drawer	Version	E	Title	SGB-40~600-4 Parameter List of Circuit Diagram	Drawing NO.	SGB-40~600-4-CE-400V-E-1	Scale	CE	Page	1
				20170608		Approved by									Standard	Voltage	Totally	15
																Frequency		Pages
																		3/400V
																		50HZ

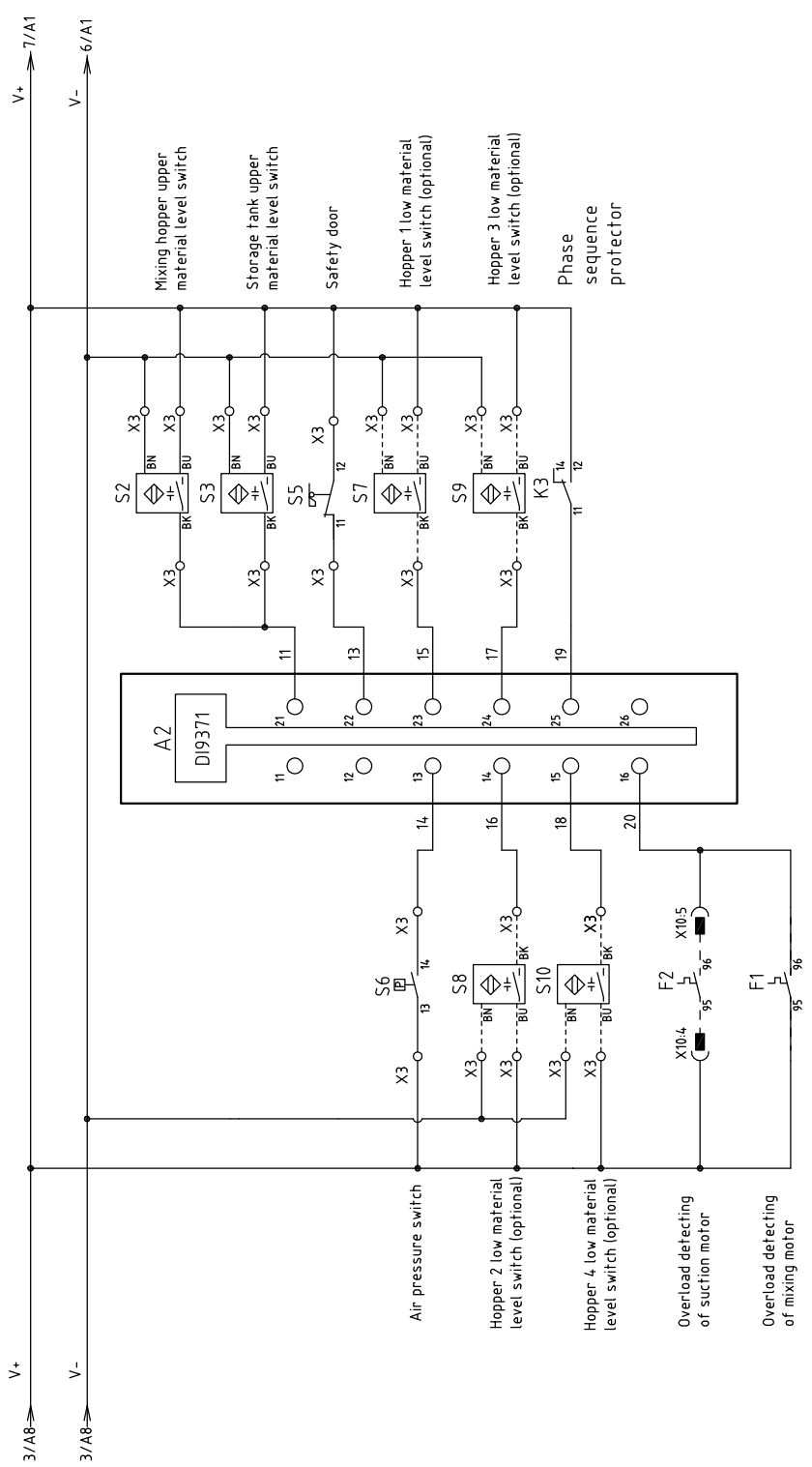


1 2 3 4 5 6 7 8



整机版本 Ver.C

Title		SGB-4.0-600-4		Drawing NO.		Page		3	
Electrical Diagram 2		SGB-4.0-600-4-CE-400V-E-3		Standard		CE		Voltage	
SHINI		SHINI		Voltage		3/400V		Frequency	
信易塑料机械股份有限公司		Shini Plastics Technologies, Inc.		Frequency		50Hz		Totally	
Mark		Before modification		After modification		Modify date		15 Pages	
Designer		Proofread by		Checked by		Date		20170608	
Version		E		Date		20170608		8	



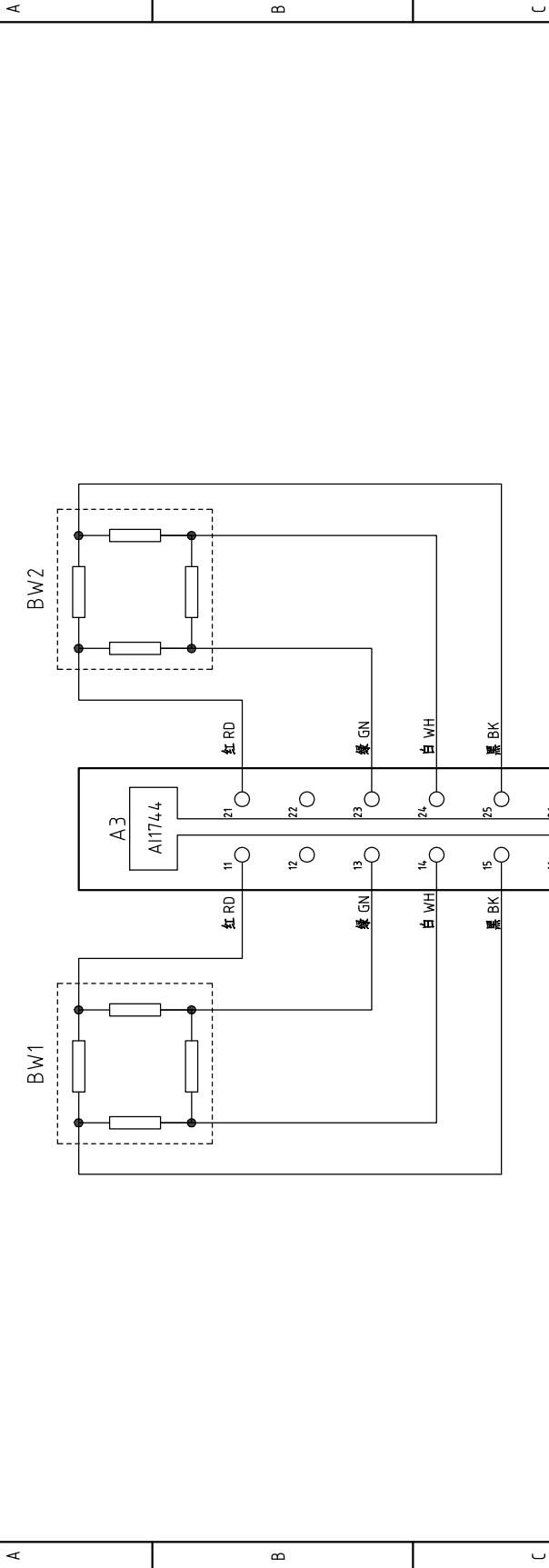
整机版本 Ver.C

Mark		Before modification	After modification	Modify date	Checked by	Date	20170608
Designer		Proofread by		Approved by		Date	
Version		E		Title		SGB-40-600-4	
Drawing NO.		SGB-40-600-4-CE-400V-E-4		Electrical Diagram 3		Standard	
Scale		CE		Voltage		3/400V	
Page		4		Frequency		50Hz	
Totally		15		Pages		3/400V	



信易塑料机械股份有限公司
Shini Plastics Technologies, Inc.

1 2 3 4 5 6 7 8

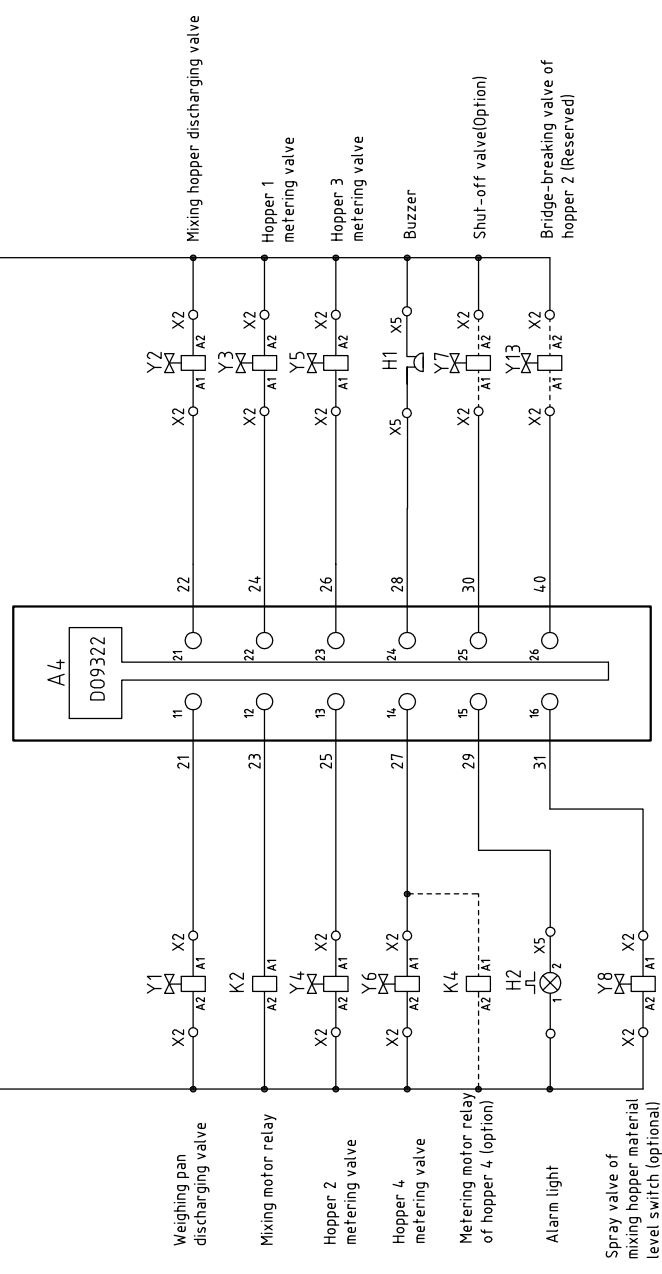


整机版本 Ver.C

Title		Drawing NO.		Scale	Page
SGB-40-600-4		SGB-40-600-4-CE-400V-E-5		Standard	5
Electrical Diagram 4				Voltage	Totally 15 Pages
				Frequency	3/4.00V
					50Hz
Version	E	SHINI		信易电热机械股份有限公司 Shini Plastics Technologies, Inc.	
Approved by		SHINI			
Designer					
Proofread by					
Checked by					
Modified by					
Modify date					
Mark					
Before modification					
After modification					
Date	20170608				

1 2 3 4 5 6 7 8

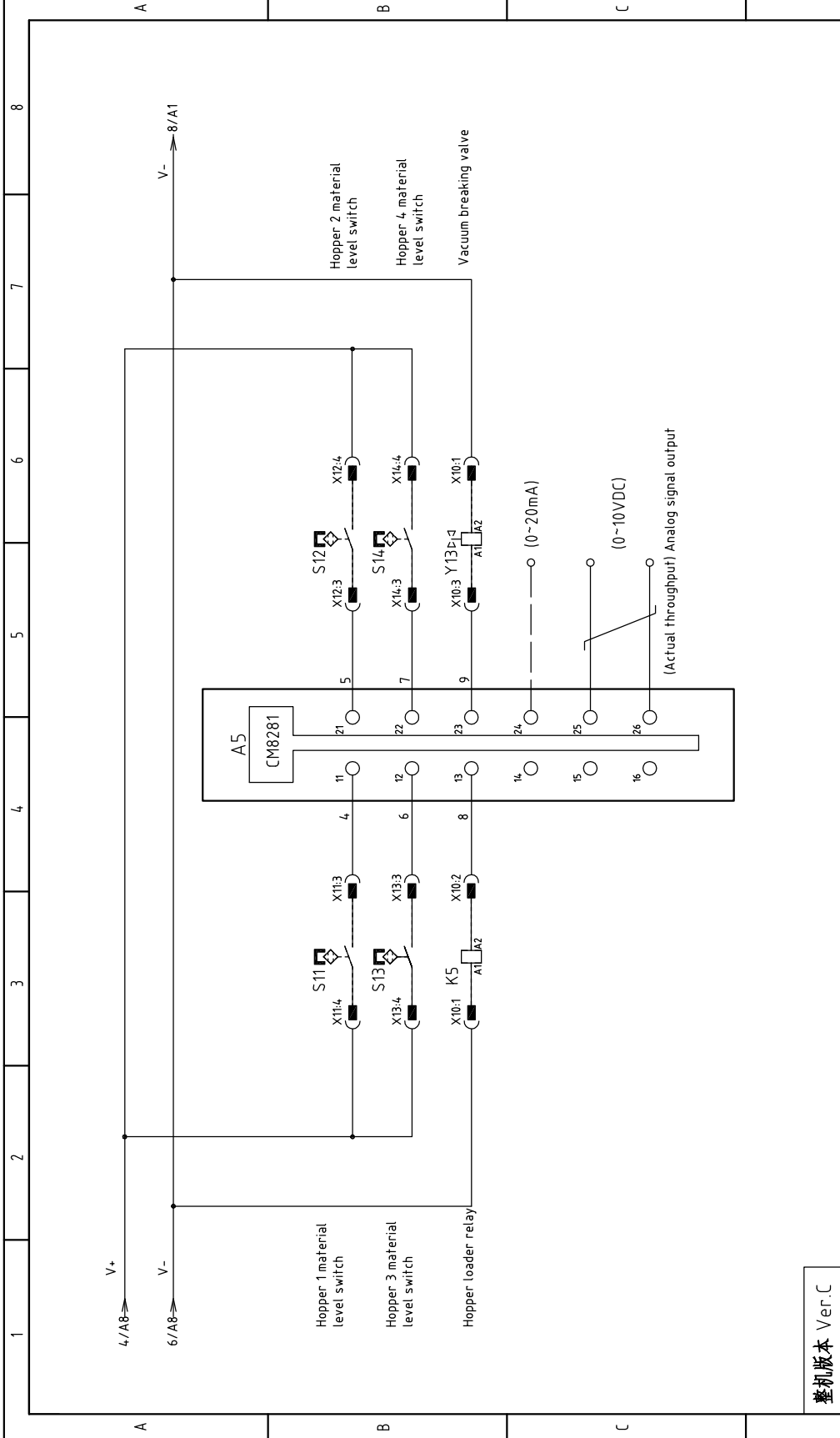
4/A8 → V- 7/A1



整机版本 Ver.C

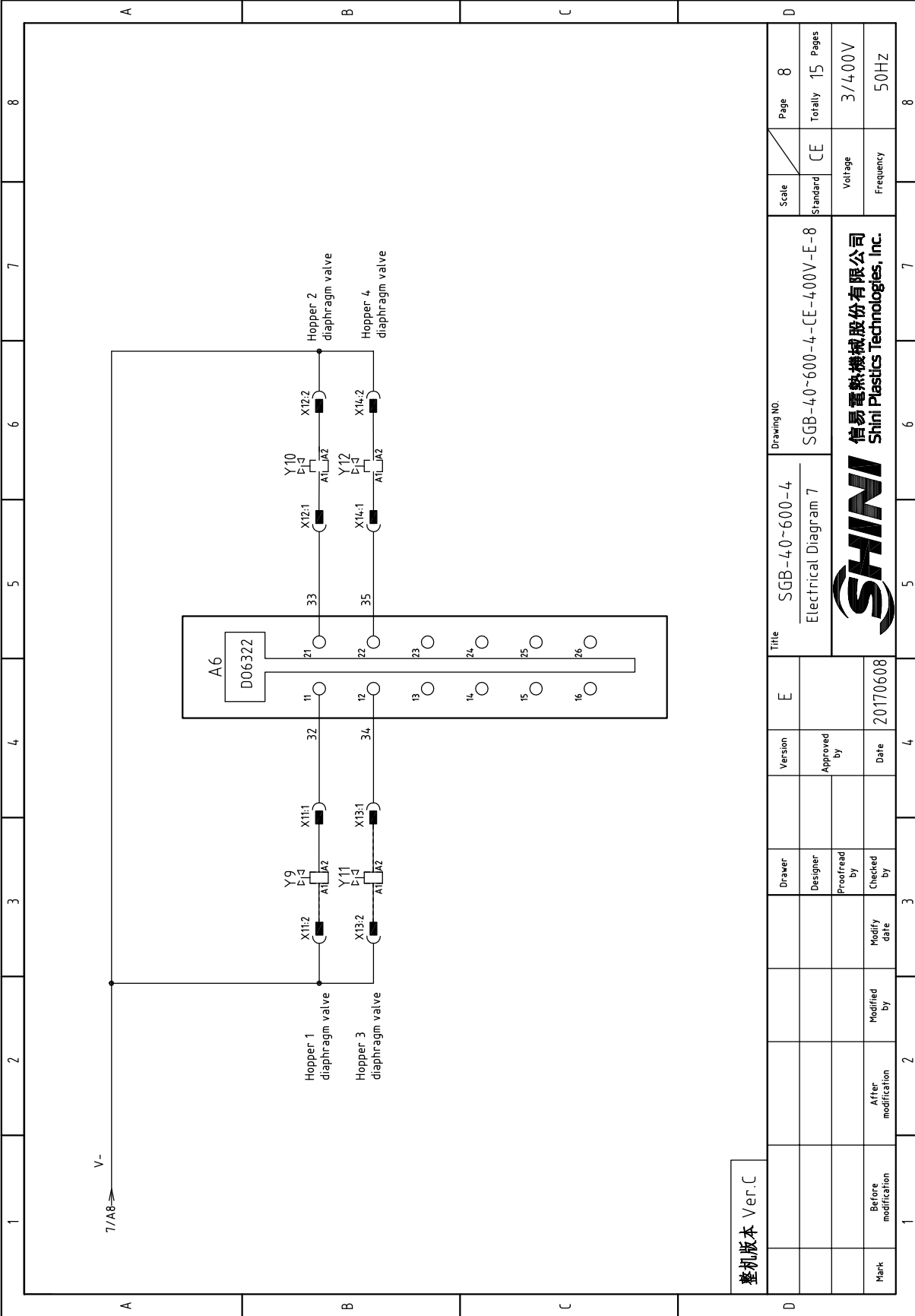
Title		SGB-4.0~600-4		Drawing NO.		Page	
Electrical Diagram 5		SGB-4.0~600-4-CE-400V-E-6		Standard		CE	
Version		E		Standard		Voltage	
Designer		Approved by		Standard		Frequency	
Proofread by		Date		Voltage		3/400V	
Checked by		Date		Frequency		50Hz	
Mark		Before modification		Before modification		1	
After modification		Modified by		After modification		2	
Modify date		Date		20170608		3	
Version		E		Date		4	
Approved by		Date		20170608		4	
Checked by		Date		20170608		4	
Title		SGB-4.0~600-4		Drawing NO.		Page	
Electrical Diagram 5		SGB-4.0~600-4-CE-400V-E-6		Standard		CE	
Version		E		Standard		Voltage	
Designer		Approved by		Standard		Frequency	
Proofread by		Date		Voltage		3/400V	
Checked by		Date		Frequency		50Hz	
Mark		Before modification		Before modification		1	
After modification		Modified by		After modification		2	
Modify date		Date		20170608		3	
Version		E		Date		4	
Approved by		Date		20170608		4	
Checked by		Date		20170608		4	
Title		SGB-4.0~600-4		Drawing NO.		Page	
Electrical Diagram 5		SGB-4.0~600-4-CE-400V-E-6		Standard		CE	
Version		E		Standard		Voltage	
Designer		Approved by		Standard		Frequency	
Proofread by		Date		Voltage		3/400V	
Checked by		Date		Frequency		50Hz	
Mark		Before modification		Before modification		1	
After modification		Modified by		After modification		2	
Modify date		Date		20170608		3	
Version		E		Date		4	
Approved by		Date		20170608		4	
Checked by		Date		20170608		4	





整机版本 Ver.C

Title		Version		E		Drawing NO.	
SGB-4.0~600-4		E		SGB-4.0~600-4		SGB-4.0~600-4-CE-400V-E-7	
Electrical Diagram 6		Approved by		Standard		CE	
SHINI 信易塑料机械股份有限公司 Shini Plastics Technologies, Inc.		Date		Voltage		3/400V	
20170608		Date		Frequency		50Hz	
Mark		Before modification		After modification		Modify date	
1		2		3		4	
5		6		7		8	
Scale		Page		7		Totally 15 Pages	
Standard		Voltage		3/400V		Frequency	
CE		Frequency		50Hz		8	



整机版本 Ver.C

Mark	Before modification	Modified by	Modify date	Checked by	Date	20170608
	After modification	Modified by	Modify date	Checked by	Date	
Designer	Designer	Proofread by	Proofread by	Approved by	Approved by	
Drawer	Drawer	Version	Version	E	E	
Title			SGB-4.0~600-4			
Drawing NO.			SGB-4.0~600-4-CE-400V-E-8			
Electrical Diagram 7			Electrical Diagram 7			
Scale	Standard	CE	Scale	Standard	CE	Page 8
Frequency	50Hz	Frequency	Voltage	3/400V	Totally	Pages 15



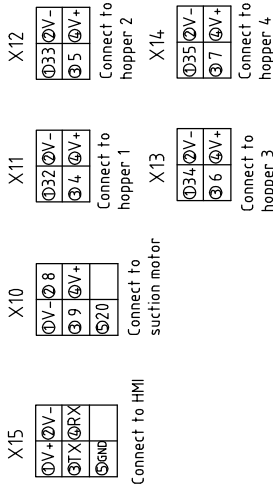
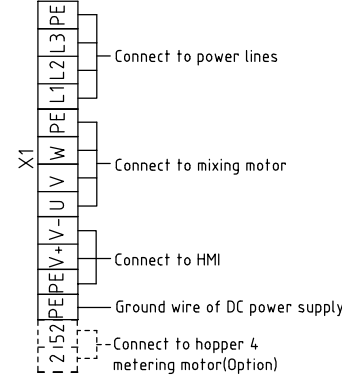
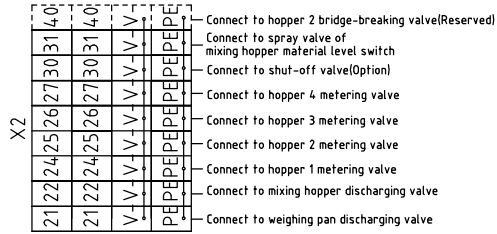
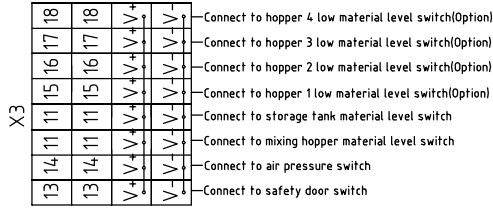
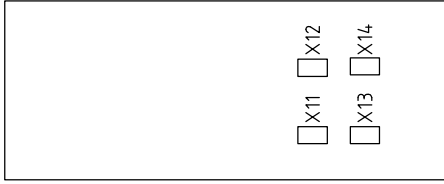
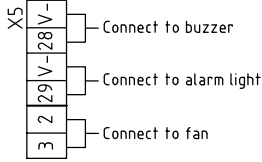
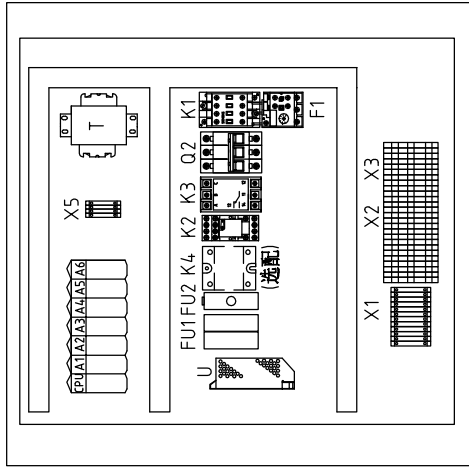
1 2 3 4 5 6 7 8

A

B

C

D



整机版本 Ver.C

Mark	Before modification	Modified by	Modify date	Checked by	Date	20170608
Designer	Proofread by	Approved by	Version	E	Title	SGB-4.0~600-4
Electrical Components Layout			Drawing NO.		SGB-4.0~600-4-CE-400V-E-9	
Scale	Standard	CE	Page	9	Totally	15
Voltage		Frequency		3/400V 50HZ		



1 2 3 4 5 6 7 8


1	2		3	4	5	6	7	8
NO.	Symbol	Name	Manufacturer	Type	Specification	Number	Material number	Remark
1	Q1	Main switch	MOELLER	T0-2-1/EA/SVB	16A	1	YE10021160000	
2	Q2	Circuit breakers	TECO	BM-63C 3P	6A	1	YE40300603000	
3	S2 S3	Capacitive proximity switch	IFM	KI 5082	10~36VDC	2	YE15508200000	(1)
4	S7-S10	Capacitive proximity switch	IFM	KI 5082	10~36VDC	4	YE15508200000	(1) (2)
5	S5	Safety switch	SCHMERSRC	AZ152VK-1476	AC-15	1	YE16147600100	(1)
6	S6	Pressure switch	FOX	K4SA02	1~12KG	1	YE15401000000	(1)
7	K1	Contactors	SIEMENS	3RT6015-1AN21	230V 50/60Hz	1	YE00601521000	
8	K3	Phase sequence protector	CHAO SHI	ABJ-10W	4.00V	1	YE03103800000	
9	K2	Middle relay	WEIDMULLER	DRM270024LT	24VDC 12A	1	YE03272400000	
10	F1	Overload relays	SIEMENS	3RU6116-0JB0	0.7-1.0A	1	YE01160700000	
11	FU1	Fuse base	CHINT	RT18-32	2P	1	YE41032200000	B
12		Fuse	CHINT	10x38 500V	2A	2	YE46002000100	
13	FU2	Fuse base	YINDA	FS-10	内置250V 2A熔芯	1	YE41001000000	
14	T	Transformer	BAIYUN	IN=4.00V OUT=230V	800mA	1	YE70402300900	
15	U	DC power	MEAN WELL	S-100-24	+24V 4.5A	1	YE71102400000	
16	CPU,A1-A6	Controller	B&R	----	----	1	YE80024000100	
17	HMI	Human-machine interface	SCHNEIDER	GXU3512	24VDC	1	YE80351200100	
18	H1	Buzzer	SHINI	PK-27A	24VDC 50Hz	1	YE84002700000	
19	H2	Indicator	---	LTE-3051	24VDC 50Hz	1	YE83305100300	
20	BW1BW2	Dose transducer	VISHAY	LPS	10VDC 2mV/V	2	----	(1)
21	X1	Terminal	Honeywell	SK2.5	2.5mm ²	8	YE60002503200	
22		Terminal	----	GK2.5PE	2.5mm ² PE	4	YE60002503400	
23	X2	Terminal		SK2.5-TL	250V 2.5	7	YE60002503600	
24	X2	Terminal		SK2.5-TL	250V 2.5	2	YE60002503600	(2)
25	X3	Terminal		SK2.5-TL	250V 2.5	4	YE60002503600	
整机版本 Ver.C Note: (1) means not part of control box. (2)stands for optional								
D				Title		Drawing NO.		Page
				SGB-40-4		SGB-40-4-CE-400V-E-10		10
				Electrical Components List 1		CE		15
						Voltage		3/400V
						Frequency		50Hz
Mark					Before modification	Modified by	Modify date	Date
								20170608
SHINI					信易塑料机械股份有限公司 Shini Plastics Technologies, Inc.			
1					2	3	4	5
6					7	8	9	10

1	2		3	4	5	6	7	8
NO.	Symbol	Name	Manufacturer	Type	Specification	Number	Material number	Remark
1	Q1	Main switch	MOELLER	T0-2-1/EA/SVB	16A	1	YE10021160000	
2	Q2	Circuit breakers	TECO	BM-63C 3P	6A	1	YE40300603000	
3	S2 S3	Capacitive proximity switch	IFM	KI 5082	10~36VDC	2	YE15508200000	(1) A
4	S7-S10	Capacitive proximity switch	IFM	KI 5082	10~36VDC	4	YE15508200000	(1) (2)
5	S5	Safety switch	SCHMERSRC	AZ152VK-1476	AC-15	1	YE16147600100	(1)
6	S6	Pressure switch	FOX	K4SA02	1~12KG	1	YE15401000000	(1)
7	K1	Contactors	SIEMENS	3RT6015-1AN21	230V 50/60Hz	1	YE00601521000	
8	K3	Phase sequence protector	CHAO SHI	ABJ-10W	4.00V	1	YE03103800000	
9	K2	Middle relay	WEIDMULLER	DRM270024LT	24VDC 12A	1	YE03272400000	
10	K4	Relay	CARLO GAVAZZI	RS1A40D40E	20~48VDC	1	YE03404000000	(2)
11	F1	Overload relays	SIEMENS	3RU6116-0JB0	0.7-1.0A	1	YE01160700000	B
12	FU1	Fuse base	CHINT	RT18-32	2P	1	YE41032200000	
13		Fuse	CHINT	10x38 500V	2A	2	YE46002000100	
14	FU2	Fuse base	YINDA	FS-10	内置250V 2A熔芯	1	YE41001000000	
15	T	Transformer	BAIYUN	IN=400V OUT=230V	800mA	1	YE704023000900	
16	U	DC power	MEAN WELL	S-100-24	+24V 4.5A	1	YE71102400000	
17	CPU,A1-A6	Controller	B&R	----	----	1	YE80024000100	
18	HMI	Human-machine interface	SCHNEIDER	GXU3512	24VDC	1	YE80351200100	
19	H1	Buzzer	SHINI	PK-27A	24VDC 50Hz	1	YE84002700000	C
20	H2	Indicator	---	LT E-3051	24VDC 50Hz	1	YE83305100300	
21	BW1BW2	Dose transducer	VISHAY	LPS	10VDC 2mV/V	2	----	(1)
22	X1	Terminal	Honeywell	SK2.5	2.5mm ²	8	YE60002503200	
23		Terminal	----	GK2.5PE	2.5mm ² PE	4	YE60002503400	
24	X2	Terminal		SK2.5-TL	250V 2.5	7	YE60002503600	
25	X2	Terminal		SK2.5-TL	250V 2.5	2	YE60002503600	(2)
整机版本 Ver.C Note: (1) means not part of control box. (2)stands for optional								
				Version	E	Title	SGB-200-4	Drawing NO.
				Drawer	Designer	Electrical Components List 1	SGB-200-4-CE-400V-E-12	Scale
				Proofread by	Approved by	Standard	CE	Page 12
				Checked by	Date	Voltage	Frequency	Totally 15 Pages
				Modified by	Modify date	20170608	3/400V	50Hz
				Before modification	After modification	20170608	SHINI	信易塑料机械股份有限公司 Shini Plastics Technologies, Inc.
1	2	3	4	5	6	7	8	8

1	2		3	4	5	6	7	8
NO.	Symbol	Name	Manufacturer	Type	Specification	Number	Material number	Remark
26	X3			SK2.5-TL	250V 2.5	4	YE60002503600	
27	X3			SK2.5-TL	250V 2.5	4	YE60002503600	(2)
28	X5	Terminal	----	SK2.5	2.5mm ²	6	YE60002503200	A
29	X11-X14	Heavy duty plug-in	SIBAS	HA-004-F	4P 10A	4	YE60000040000	
30	X10 X15	Heavy duty plug-in	SIBAS	HDC-HQ-005	5P 10A	2	YE68000500000	
31	WS	Communication cable	SHINI	----	1.5M 0.5x5C+ 9pin 母头串口	1	----	自制
32	FM	Cooling fan	----	----	220~230VAC 50/60HZ	1	YM60121200400	(1)
33	M1	Mixing motor	----	0.25kW	400V 50/60HZ	1	----	(1)
34	M2	Motor	----	0.015kW	230V 50/60HZ	1	----	(1) (2)
35	Y1 Y3-Y6	Solenoid valve	FESTO	----	24VDC	5	----	(1)
36	Y2	Solenoid valve	FESTO	----	24VDC	1	----	(1)
37	Y7-Y8	Solenoid valve	FESTO	----	24VDC	2	----	(1)(2)
38		Power cable	----	----	2.5mm ² x4C	4M	BE51250400450	(1)
39		Motor cable	----	----	1.5mm ² x4C	1.5M	YE50150400000	(1)
40	WS1	Ethernet line	----	----	----	1.0M	YE90000101600	
		Ethernet connector	----	RJ45F71	----	1	YE64457100000	
A								
B								
C								
D								

整机版本 Ver.C Note: (1) means not part of control box. (2)stands for optional

Title		Drawing NO.		Scale		Page	
SGB-200-4		SGB-200-4-CE-400V-E-13		Standard		CE	
Electrical Components List 2				Voltage		3/400V	
				Frequency		50Hz	
Version	E	Designer	Proofread by	Checked by	Modified by	Modify date	Date
Approved by							20170608
SHINI		信易塑料机械股份有限公司		Shini Plastics Technologies, Inc.			
1		2		3		4	
5		6		7		8	

1	2		3	4	5	6	7	8
NO.	Symbol	Name	Manufacturer	Type	Specification	Number	Material number	Remark
1	Q1	Main Switch	MOELLER	T0-2-1/EA/SVB	16A	1	YE10021160000	
2	Q2	Circuit-Breakers	TECO	BM-63C 3P	6A	1	YE40300603000	
3	S2 S3	Capacitive proximity switch	IFM	KI 5082	10~36VDC	2	YE15508200000	(1)
4	S7-S10	Capacitive proximity switch	IFM	KI 5082	10~36VDC	4	YE15508200000	(1) (2)
5	S5	Safety switch	SCHMERSRC	AZ152VK-1476	AC-15	1	YE16147600100	(1)
6	S6	Pressure switch	FOX	K4SA02	1~12KG	1	YE15401000000	(1)
7	K1	Contactors	SIEMENS	3RT6015-1AN21	230V 50/60Hz	1	YE00601521000	
8	K3	Phase sequence protector	CHAO SHI	ABJ-10W	4.00V	1	YE03103800000	
9	K2	Middle relay	WEIDMULLER	DRM270024LT	24VDC 12A	1	YE03272400000	
10	K4	Relay	CARLO GAVAZZI	RS1A40D40E	20~48VDC	1	YE03404000000	(2)
11	F1	Overload Relays	SIEMENS	3RU6116-1BB0	1.4-2A	1	YE01160140000	B
12	FU1	Fuse base	CHINT	RT18-32	2P	1	YE41032200000	
13		Fuse	CHINT	10x38 500V	2A	2	YE46002000100	
14	FU2	Fuse base	YINDA	FS-10	内置250V 2A熔芯	1	YE41001000000	
15	T	Transformer	BAIYUN	IN=400V OUT=230V	800mA	1	YE704023000900	
16	U	DC power	MEAN WELL	S-100-24	+24V 4.5A	1	YE71102400000	
17	CPU,A1-A6	Controller	B&R	----	----	1	YE80024000100	
18	HMI	Human-machine interface	SCHNEIDER	GXU3512	24VDC	1	YE80351200100	
19	H1	Buzzer	SHINI	PK-27A	24VDC 50Hz	1	YE84002700000	C
20	H2	Indicator	---	LT E-3051	24VDC 50Hz	1	YE83305100300	
21	BW1BW2	Dose transducer	VISHAY	LPS	10VDC 2mV/V	2	----	(1)
22	X1	Terminal	Honeywell	SK2.5	2.5mm ²	8	YE60002503200	
23		Terminal	----	GK2.5PE	2.5mm ² PE	4	YE60002503400	
24	X2	Terminal	----	SK2.5-TL	250V 2.5	7	YE60002503600	
25	X2	Terminal	----	SK2.5-TL	250V 2.5	2	YE60002503600	(2)
整机版本 Ver.C Note: (1) means not part of control box. (2)stands for optional								
				Version	E	Title	Scale	Page
				Drawer	Designer	Drawing NO.	Standard	14
				Proofread by	Approved by	SGB-600-4-CE-400V-E-14	CE	15
				Checked by	Date	Electrical Components List 1	Voltage	Pages
				Modified by	20170608		Frequency	3/400V
				Before modification		信易塑料机械股份有限公司 Shini Plastics Technologies, Inc.	50Hz	8
				Mark		5	7	8

