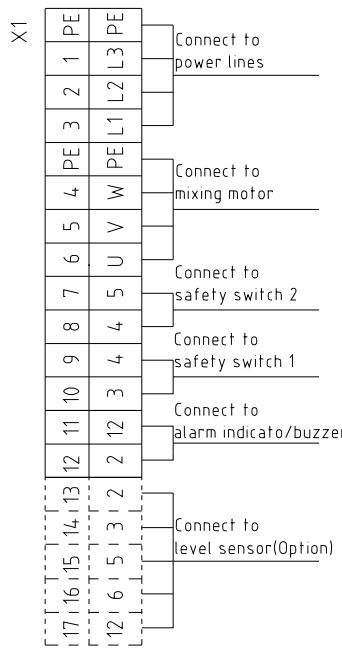
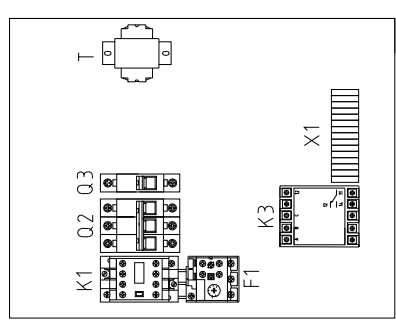
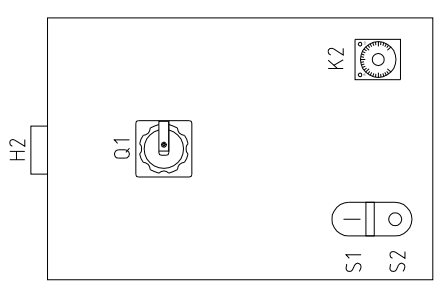


1	2	3	4	5	6	7	8
<p>Note: If not selecting the level sensor, connect wire 5 to wire 6</p>							
<p>Level switch Motor (Option)    Timer    Alarm Buzzer light</p>							
SVM-160U 机型版本: Ver E		SVM-300U 机型版本: Ver D		Title SVM-160U/300U		Drawing NO SVM-160U-10000U-CE-230V-E-1	
Mark		Before modification		Designer		Scale Standard	
Modified by		Modify date		Proofread by		Standard CE	
After modification		Date		Approved by		Voltage 230V	
		20180720				Frequency 50Hz	
						Page 1	
						Totally 9 Pages	
						Voltage 230V	
						Frequency 50Hz	
						Page 1	
						Totally 9 Pages	





1 2 3 4 5 6 7 8



SVM-160U~300U

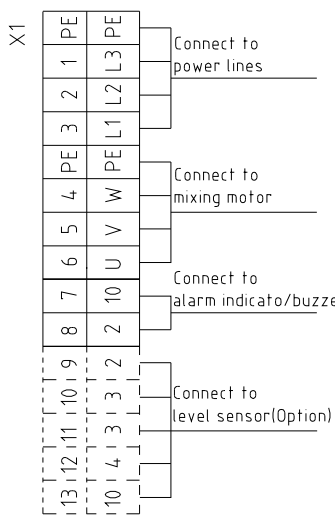
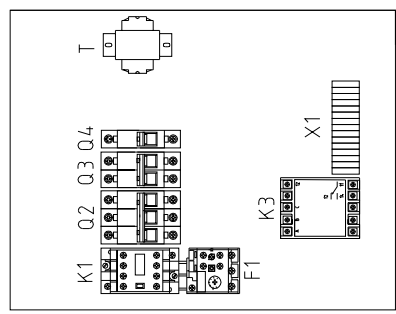
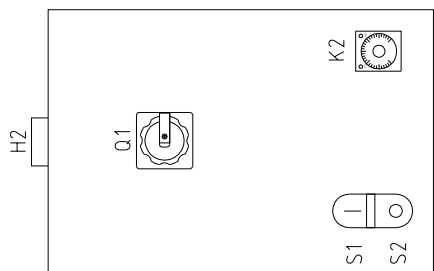
SVM-160U 机型版本: Ver.E  
SVM-300U 机型版本: Ver.D

D	Title	SVM-160U/300U		Version	E	Drawing NO	SVM-160U-10000U-CE-230V-E-3		Scale	Standard	Page	3
		Electrical Components Layout			Approved by		Checked by	Standard	CE	Totally	9	Pages
Mark	Before modification	Modified by	Modify date	Proofread by	Checked by	Date	20180720		Voltage	230V	Frequency	50HZ
	After modification	Modified by	Modify date	Checked by	Checked by							



1 2 3 4 5 6 7 8

1 2 3 4 5 6 7 8



SVM-1000U~10000U

SVM-1000U~10000U 机型版本: Ver-C

Mark	Before modification	Modified by	Modify date	Checked by	Proofread by	Designer	Drawer	Version	E	Title	Drawing NO		Page	4		
	After modification	20180720	Approved by								Standard	CE	Totally	9	Pages	
SVM-1000U~10000U											SVM-160U~10000U-CE-230V-E-4		Voltage		230V	
Electrical Components Layout											Standard		Frequency		50HZ	
SHINI											信易电热机械股份有限公司		Shini Plastics Technologies, Inc.		8	











