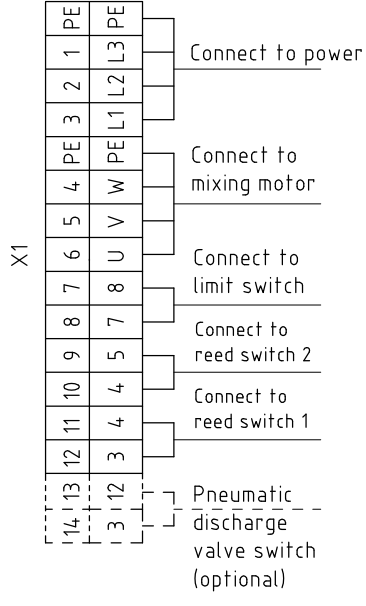
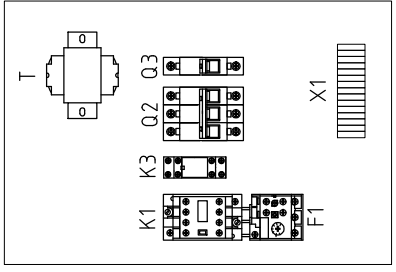
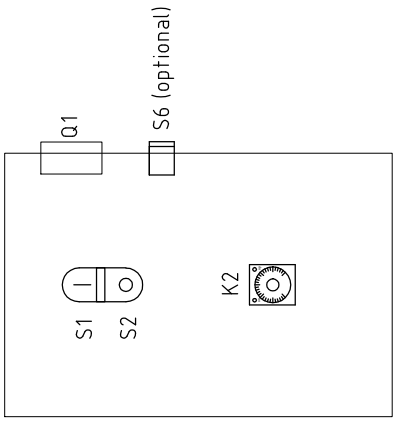




1 2 3 4 5 6 7 8

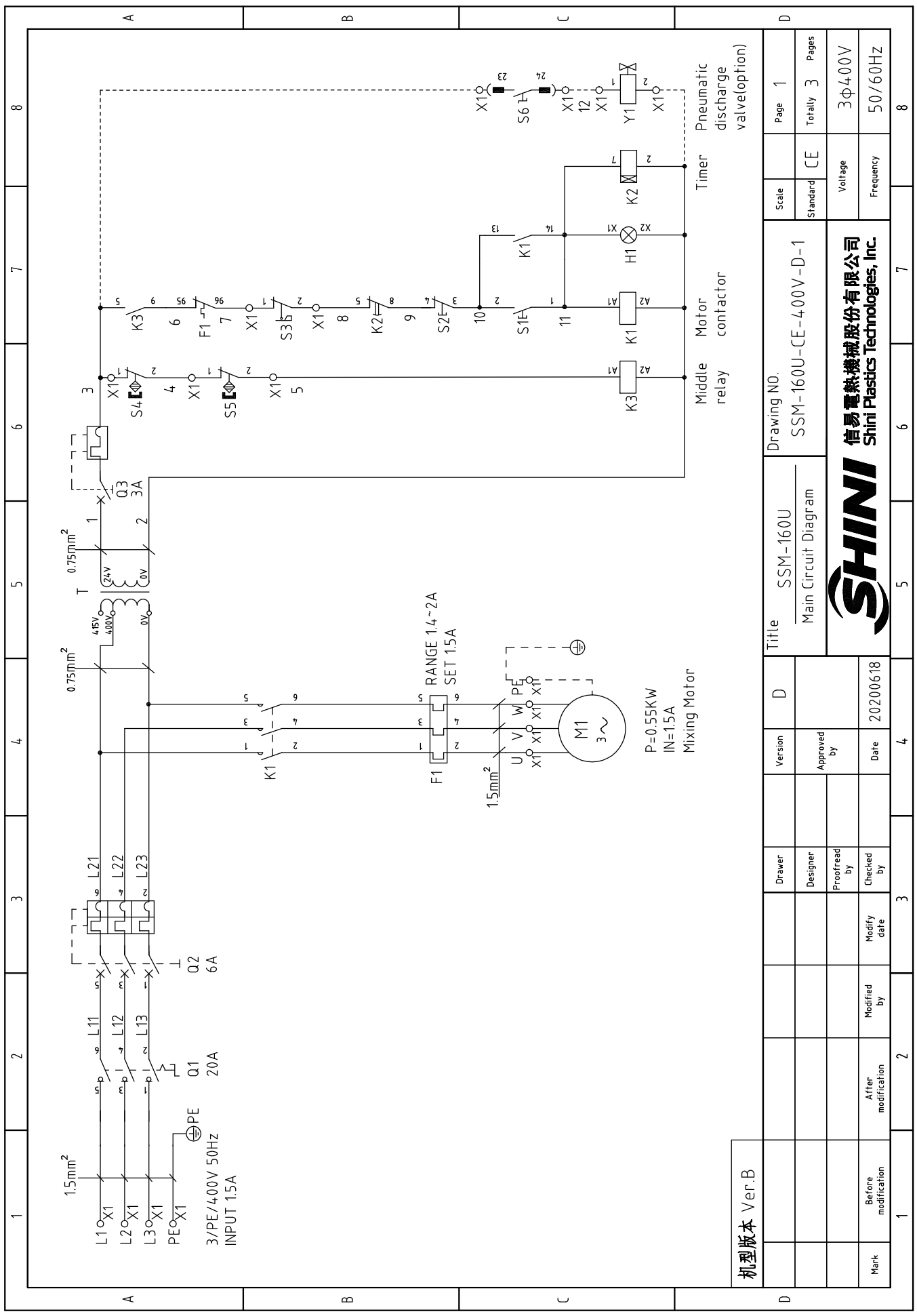


机型版本 Ver.D

Mark	Before modification	Modified by	Modify date	Checked by	Date	Approved by	Version	D	Title	Drawing NO.	Scale	Page
	After modification	Modified by	Modify date								Standard	Totally
									SSM-80U	SSM-80U-CE-4.00V-D-2	CE	2
									Electrical Components Layout			3
												Pages
												3
												Voltage
												3φ4.00V
												Frequency
												50/60HZ
												8







机型版本 Ver.B

Mark	Before modification	Modified by	2	3	4	5	6	7	8
	After modification	Modified by	2	3	4	5	6	7	8
Title	SSM-160U		Version	D	Drawing No.	SSM-160U-CE-400V-D-1		Scale	Page 1
	Main Circuit Diagram					Standard	CE		
Voltage	3φ400V		Frequency	50/60Hz					
SHINI			信易电热机械股份有限公司 Shini Plastics Technologies, Inc.						



1		2		3		4		5		6		7		8	
NO.	Symbol	Name	Manufacturer	Type	Specification	Number	Material number	Remark							
1	Q1	Main power switch	EATON	TO-2-1/EA/SVB	20A	1	YE10021160000								
2	Q2	Circuit breaker	TECO	BM-63C/3006S	6A	1	YE40300603000								
3	Q3	Circuit breaker	TECO	BM-63C/1003S	3A	1	YE40100203000								
4	K1	Contacto	SIEMENS	3RT6016-1AB01	24VAC	1	YE00601602500								
5	K2	Time relay	YUYUN	TS48S-AB	24VAC	1	YE03482400000								
6	K3	Middle relay	Honeywell	GR-2C-24V	24VAC	1	YE03022400300								
7	T	Transformer	JIUXIN	IN=400V/415V OUT=24VAC	80VA	1	YE70040006500								
8	F1	Overload relay	SIEMENS	3RU6116-1BB0	1.4-2A	1	YE01160140000								
9	X1	Terminal	Honeywell	SK2.5	2.5mm <sup>2</sup>	12	YE61250040000								
10			Honeywell	GK2.5PE	2.5mm <sup>2</sup> PE	2	YE61253500000								
11			Honeywell	SK2.5	2.5mm <sup>2</sup>	2	YE61250040000	(2)							
12	S1 S2	Control switch	DONGSHENG	APBB-22N(indicator 24VAC)	600V 10A	1	YE11222400000								
13	S3	Limit switch	OMRON	D4MC-5000	250V 10A	1	YE14450000000	(1)							
14	S4 S5	Reed switch	SONON	BL12-30BLA 40MM	24VAC	2	YE15123000100	(1)							
15	S6	Selection switch	ABB	CZSS2-10B-10	300V 5A	1	YE12210100000	(2)							
16	M1	Motor	----	0.55KW	400V 50/60Hz	1	----	(1)							
17	Y1	Pneumatic discharge valve	----	----	24V 50/60Hz	1	----	(2)							
C															
D															
机型版本 Ver.B															
Note: (1) Means not part of control box. (2)Means optional pneumatic discharge valve.															
		Title		SSM-160U		Drawing NO.		SSM-160U-CE-400V-D-3		Scale		Page 3		8	
		Electrical Components List 1								Standard		CE		Totally 3 Pages	
Mark		Before modification		Modified by		Modify date		Checked by		Date		Voltage		3φ400V	
		After modification				20200618				20200618		Frequency		50/60Hz	
1		2		3		4		5		6		7		8	



信易電熱機械股份有限公司  
Shini Plastics Technologies, Inc.







1		2		3		4		5		6		7		8	
NO.	Symbol	Name	Manufacturer	Type	Specification	Number	Material number	Remark							
1	Q1	Main power switch	EATON	TO-2-1/EA/SVB	20A	1	YE10021160000								
2	Q2	Circuit breaker	TECO	BM-63C/3006S	6A	1	YE40300603000								
3	Q3	Circuit breaker	TECO	BM-63C/1003S	3A	1	YE40100203000								
4	K1	Contactoer	SIEMENS	3RT6016-1AB01	24VAC	1	YE00601602500								
5	K2	Time relay	YUYUN	TS48S-AB	24VAC	1	YE03482400000								
6	K3	Middle relay	Honeywell	GR-2C-24V	24VAC	1	YE03022400300								
7	T	Transformer	JIUXIN	IN=400V/415V OUT=24VAC	80VA	1	YE70040006500								
8	F1	Overload relay	SIEMENS	3RU6116-1DB0	2.2-3.2A	1	YE01160220000								
9	X1	Terminal	Honeywell	SK2.5	2.5mm <sup>2</sup>	12	YE61250040000								
10			Honeywell	GK2.5PE	2.5mm <sup>2</sup> PE	2	YE61253500000								
11			Honeywell	SK2.5	2.5mm <sup>2</sup>	2	YE61250040000	(2)							
12	S1 S2	Control switch	DONGSHENG	APBB-22N(indicator 24VAC)	600V 10A	1	YE11222400000								
13	S3	Limit switch	OMRON	D4MC-5000	250V 10A	1	YE14450000000	(1)							
14	S4 S5	Reed switch	SONON	BL12-30BLA 40MM	24VAC	2	YE15123000100	(1)							
15	S6	Selection switch	ABB	C2SS2-10B-10	300V 5A	1	YE12210100000	(2)							
16	M1	Motor	----	1.1KW	400V 50/60Hz	1	----	(1)							
17	Y1	Pneumatic discharge valve	----	----	24V 50/60Hz	1	----	(2)							
C															
D															
机型版本 Ver.D															
Note: (1) Means not part of control box. (2)Means optional pneumatic discharge valve.															
Title		SSM-300U		Drawing No.		SSM-300U-CE-400V-D-3		Scale		CE		Page 3		Totally 3 Pages	
Electrical Components List 1				Version		D		Approved by		Date		20200618			
Designer		Proofread by		Checked by		Modified by		Modify date							
Mark		Before modification		After modification		Modified by		Modify date							
												Voltage		3φ400V	
												Frequency		50/60Hz	
1		2		3		4		5		6		7		8	



信易電熱機械股份有限公司  
Shini Plastics Technologies, Inc.