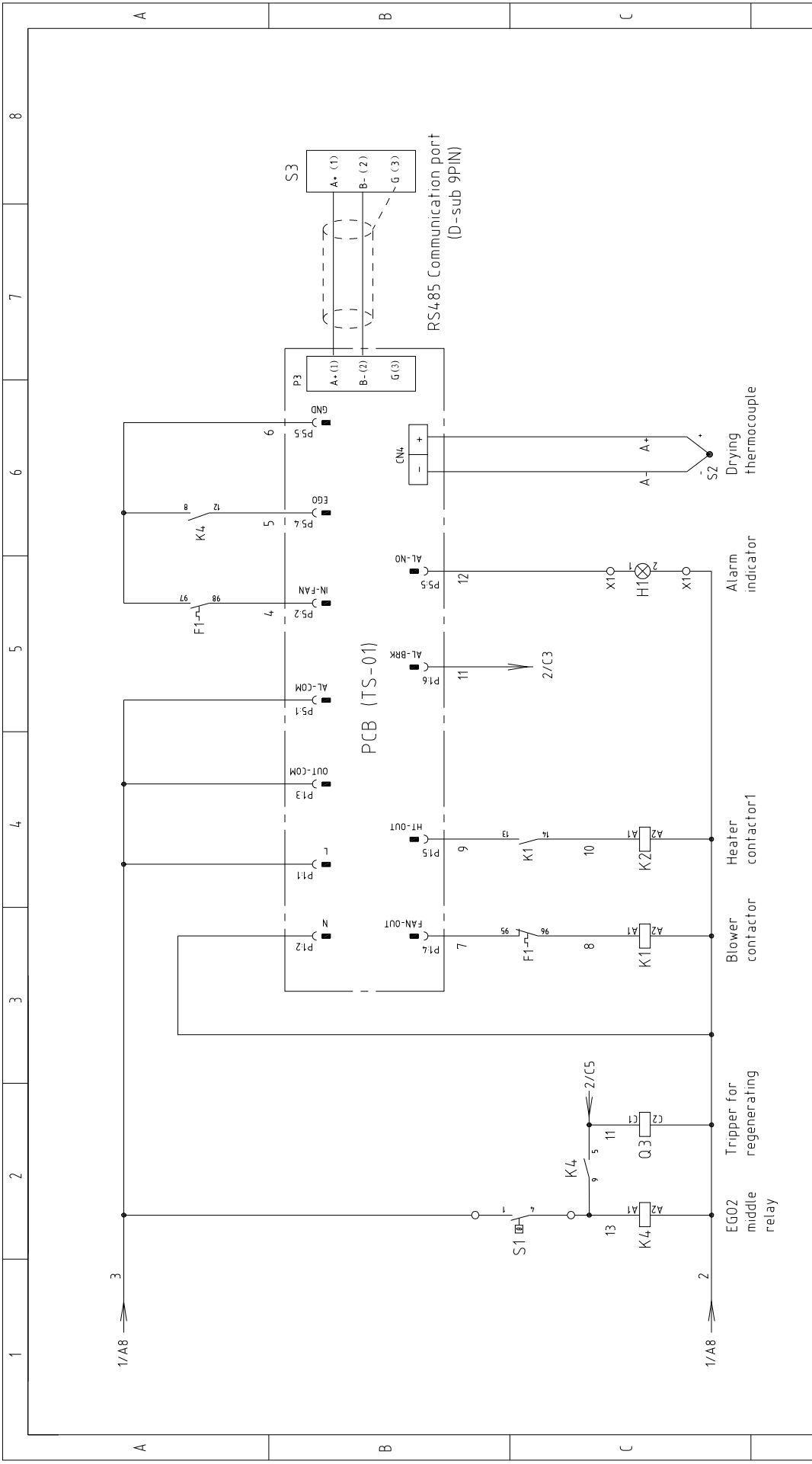
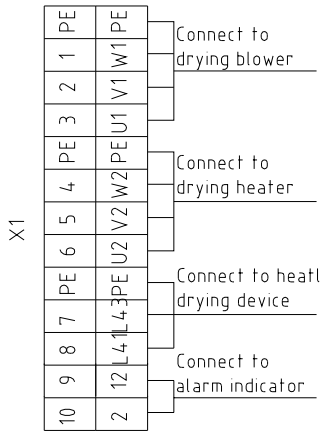
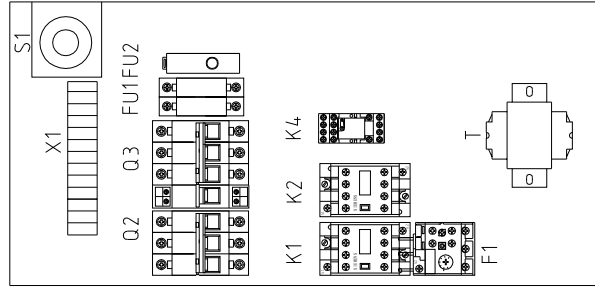
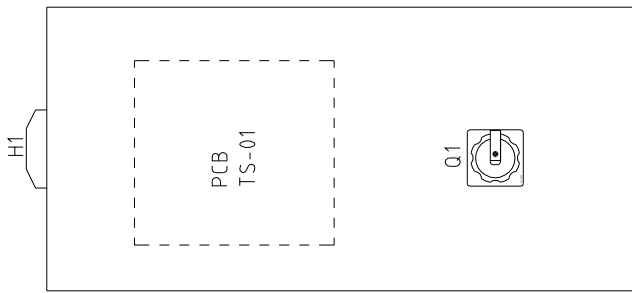


版本 Ver.C		Title		Version		Scale		Page	
		SHD-40U-HD		0		Standard		1	
		Main Circuit Diagram		Approved by		CE		Totally 4	
		SHD-40U-HD-CE-230V-0-1		Date		Voltage		230V	
		20170802		Checked by		Frequency		50HZ	
Mark		Modified by		Date		Voltage		230V	
Before modification		Modified by		Date		Frequency		50HZ	
1		2		3		4		5	
6		7		8		9		10	

SHINI
信易電熱機械股份有限公司
Shini Plastics Technologies, Inc.



1/A8		3		4		5		6		7		8	
<p>1/A8</p> <p>1/A8</p>													
<p>Tripper for regenerating</p> <p>EGO2 middle relay</p> <p>Blower contactor</p> <p>Heater contactor1</p> <p>Alarm indicator</p> <p>Drying thermocouple</p>													
<p>PCB (TS-01)</p> <p>RS485 Communication port (D-sub 9PIN)</p>													
<p>Scale</p> <p>Standard</p> <p>CE</p> <p>Voltage</p> <p>Frequency</p> <p>Page</p> <p>Totally</p> <p>Pages</p> <p>2</p> <p>4</p> <p>4</p> <p>230V</p> <p>50HZ</p>													
<p>Drawing NO</p> <p>SHD-40U-HD-CE-230V-0-2</p> <p>Control Circuit Diagram</p> <p>SHINI</p> <p>信易電熱機械股份有限公司</p> <p>Shini Plastics Technologies, Inc.</p>													
<p>Version</p> <p>0</p> <p>Approved by</p> <p>Date</p> <p>20170802</p>													
<p>Mark</p> <p>Before modification</p> <p>After modification</p> <p>Modified by</p> <p>Modify date</p>													
<p>版本 Ver.C</p>													



版本 Ver.C

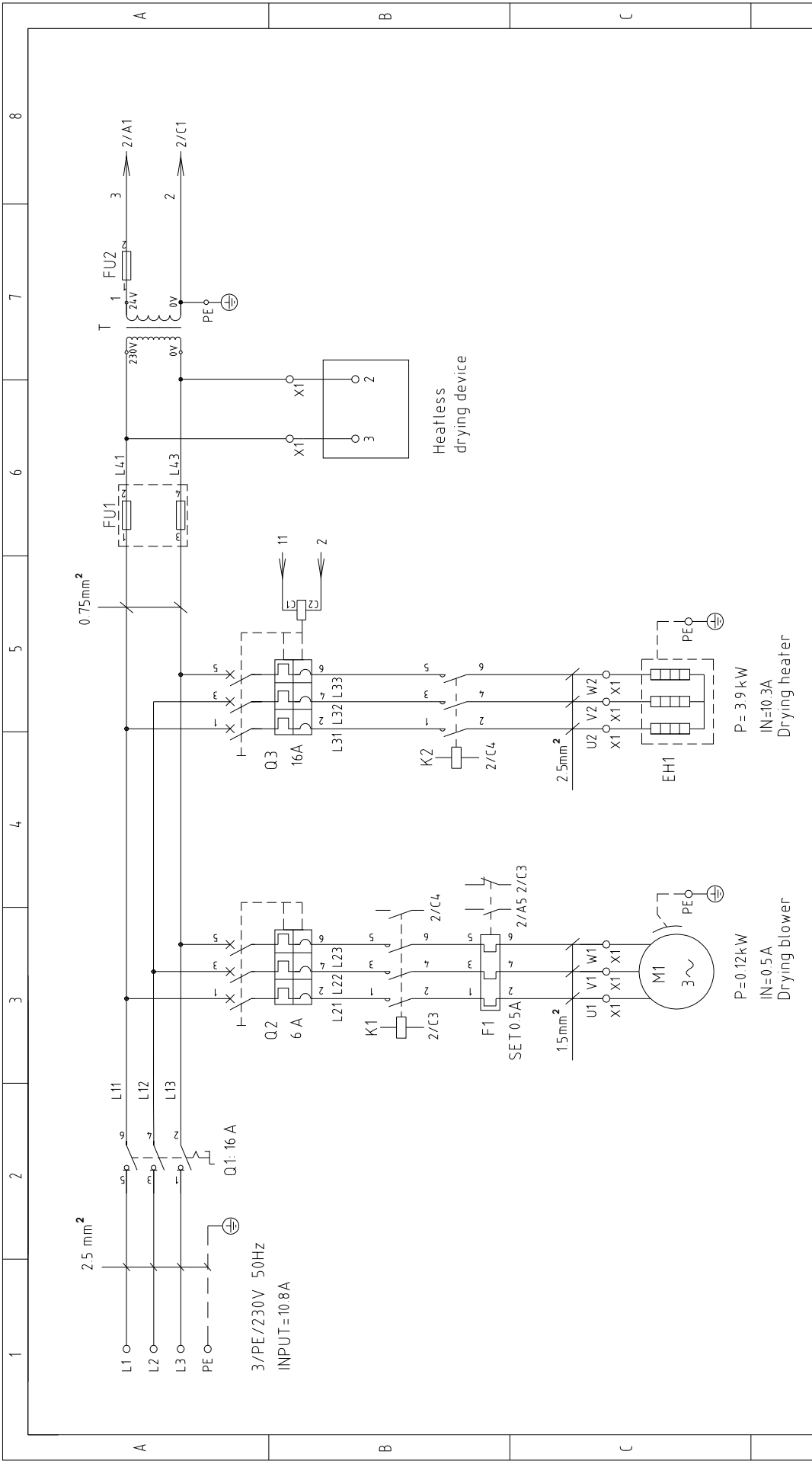
The main power lines directly connect to main power switch disconnect to terminal board

D	Mark	Before modification	Modified by	Modify date	Checked by	Date	Approved by	Version	0	Title	SHD-40U-HD Electrical Components Layout	Drawing NO	SHD-40U-HD- CE-230V-0-3	Scale	Page
		After modification	Modified by	Modify date	Checked by	Date								Standard	Totally
						20170802								Standard	3
														Voltage	230V
														Frequency	50HZ



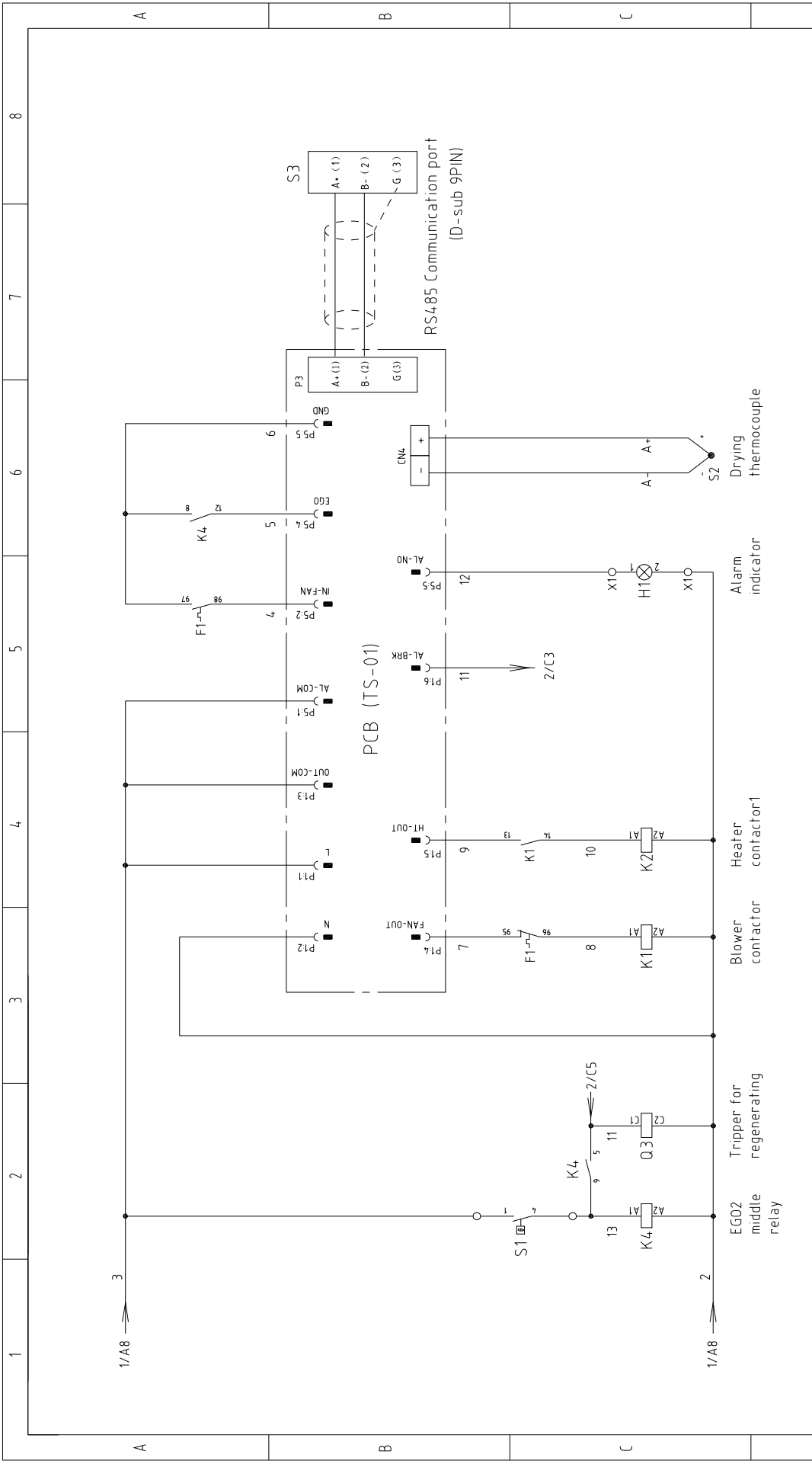
1	2		3	4	5	6	7	8
NO.	Symbol	Name	Manufacturer	Type	Specification	Number	Material number	Remark
1	Q1	Main power switch	EATON	TO-2-1/EA/SVB	16A 3P 690V 50/60Hz	1	YE10021160000	
2	Q3	Circuit-breaker	TECO	BM-63C/3010S	10A 3P	1	YE40301003000	
3		Excitation release	CHINT	MX	24V AC	1	YE40024000000	A
4	Q2	Circuit-breaker	TECO	BM-63C/3006S	6A 3P	1	YE40300603000	
5	K1	Contactor	SIEMENS	3RT6015-1AB01	7A 3P 1N0 24V AC	1	YE00601502500	
6	K2	Contactor	SIEMENS	3RT6017-1AB01	12A 3P 24V AC	1	YE00601702500	
7	K4	Middle relay	HONEYWELL	GR-2C-AC24V配座PGR-2C-E	24V 50/60Hz	1	YE03022400300	
8	F1	Overload relay	SIEMENS	3RU5116-0GB0	0.45-0.63A 690V 50/60Hz	1	YE01456300000	
9	FU1	Fuse base	CHINT	RT28-32	2P/32A/500V/10x38	1	YE41032200000	
10		Fuse core	CHINT	10x38 500V/gG型	2A	2	YE46002000100	
11	FU2	Fuse	YINDA	FS-10	6x30mm 5A 250V	1	YE41001000000/ YE4663050100	B
12	T	Transformer	BAIYUN	--	IN=230V OUT=24V 120VA	1	YE70023005500	
13	PCB	PCB/Control box	YUYUN	TS-0124VAC(include communicator)	24V 50/60Hz	1	YE80012400400/YR40400240000	
14		Lampshade(SIC-015)				1	YR90441300000	
15		Panel for SHD20U-1200U(Ch&Eng)Version sickness >65N(SHD-20U-A-4.1/Pressing plate of display screen for SHD-80U-A-4.3(88x53.0 3x1.0) 0				1	YR01000000100/YR900000003300	
16		Panel for SHD20U-1200U(Eng)Version sickness65N/Pressing plate of display screen for SHD-80U-A-4.3(88x53.0 3x1.0) 0				1	YR01002000100/YR900000003300	
17	S1	Temperature protector	EGO	--	115-320 °C	1	BH90115000150	
18	S2	Thermocouple	SHINI	K TYPE	--	1	----	(1)
19	H1	Alarm indicator	SHINI	LED-3051紅白色	24V AC	1	YE83305100900	
20	X1	Terminal		--	2.5mm ²	10	YE60002503200	
21		Terminal		--	2.5mm ² PE	3	YE60002503400	
22	M1	Blower	--	--	0.12kW	1	----	(1)
23	EH1	Heater	SHINI	--	3.0kW	1	----	(1)
24	S3	Communication interface board RS-485 (double DSub-Spin Connector)	--	--	--	1	YE90048501200	
25		Shell RS485(SAL-700G-A-19J0)	--	--	--	1	YR40048500000	
版本 Ver.C				Notes: (1)Means it's not the material inside the control box.				
D			Drawer	Version	Title	Drawing NO	Scale	Page
			Designer	0	SHD-40U-HD	SHD-40U-HD-	Standard	4
			Proofread by	Approved by	Electrical Components List	CE-230V-0-4	CE	Totally 4
			Checked by	Date			Voltage	Pages
Mark	Before modification	Modified by	Modify date	20170802			Frequency	4
1								230V
								50HZ
				3	5	6	7	8





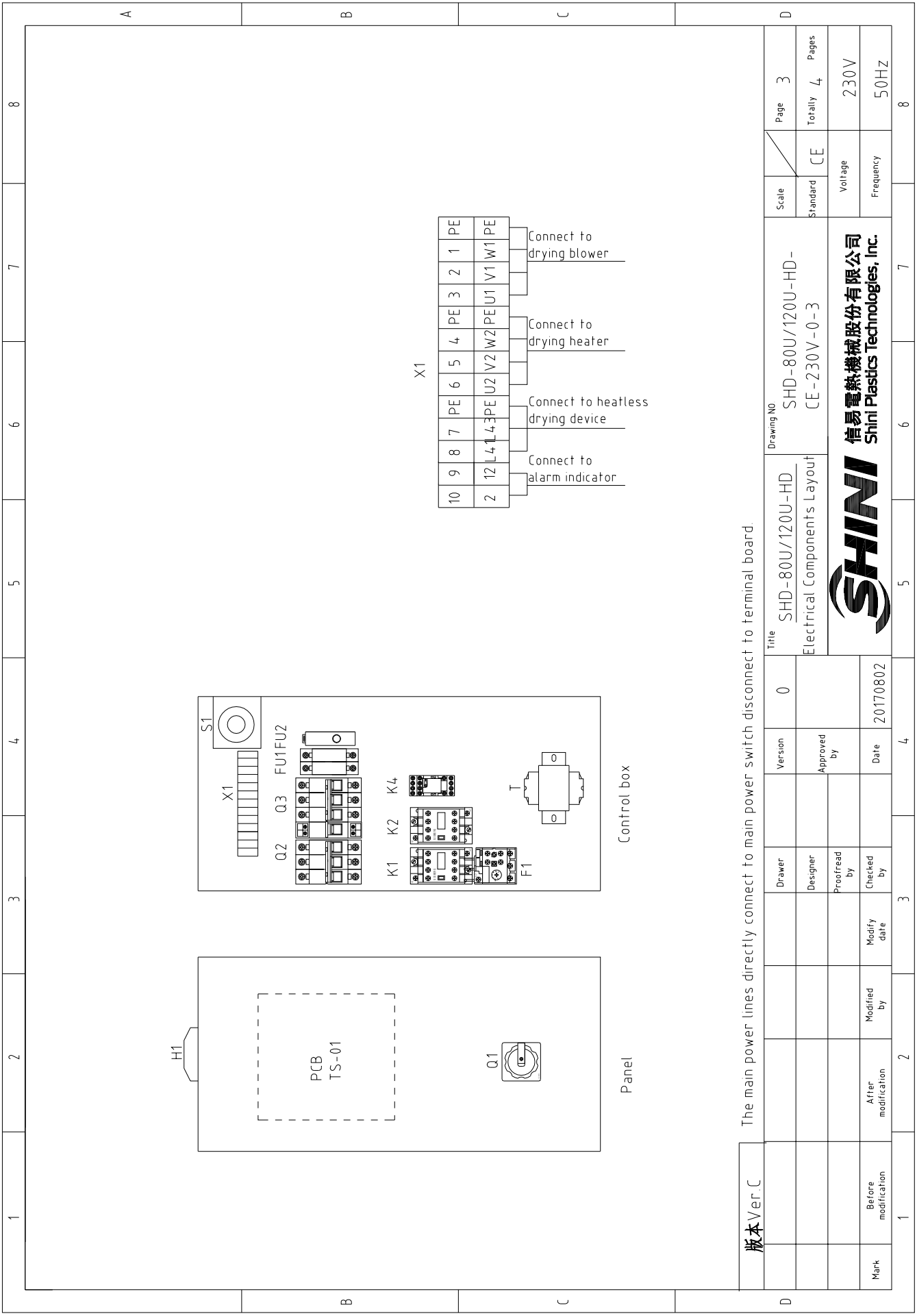
版本 Ver C

D	Mark	Before modification	Modified by	20170802	Version	0	Title	SHD-80U/120U-HD Main Circuit Diagram		Drawing NO	SHD-80U/120U-HD- CE-230V-0-1		Scale	Standard	CE	Page	1	Totally	4	Pages		
	Modified date				Approved by								Volume								Frequency	230V
<p>信易電熱機械股份有限公司 Shini Plastics Technologies, Inc.</p>																						
<p>1 2 3 4 5 6 7 8</p>																						



版本 Ver.C		Title		Drawing NO		Page	
		SHD-80U/120U-HD		SHD-80U/120U-HD-		2	
		Control Circuit Diagram		CE-230V-0-2		Totally 4	
		Version		Standard		Pages	
0		0		CE		4	
Approved by		Date		Voltage		Frequency	
		20170802		230V		50HZ	
Checked by		Modify date		Frequency		50HZ	
				Voltage		Frequency	
				230V		50HZ	
Mark		After modification		Frequency		50HZ	
				Voltage		Frequency	
				230V		50HZ	
1		2		3		4	
5		6		7		8	





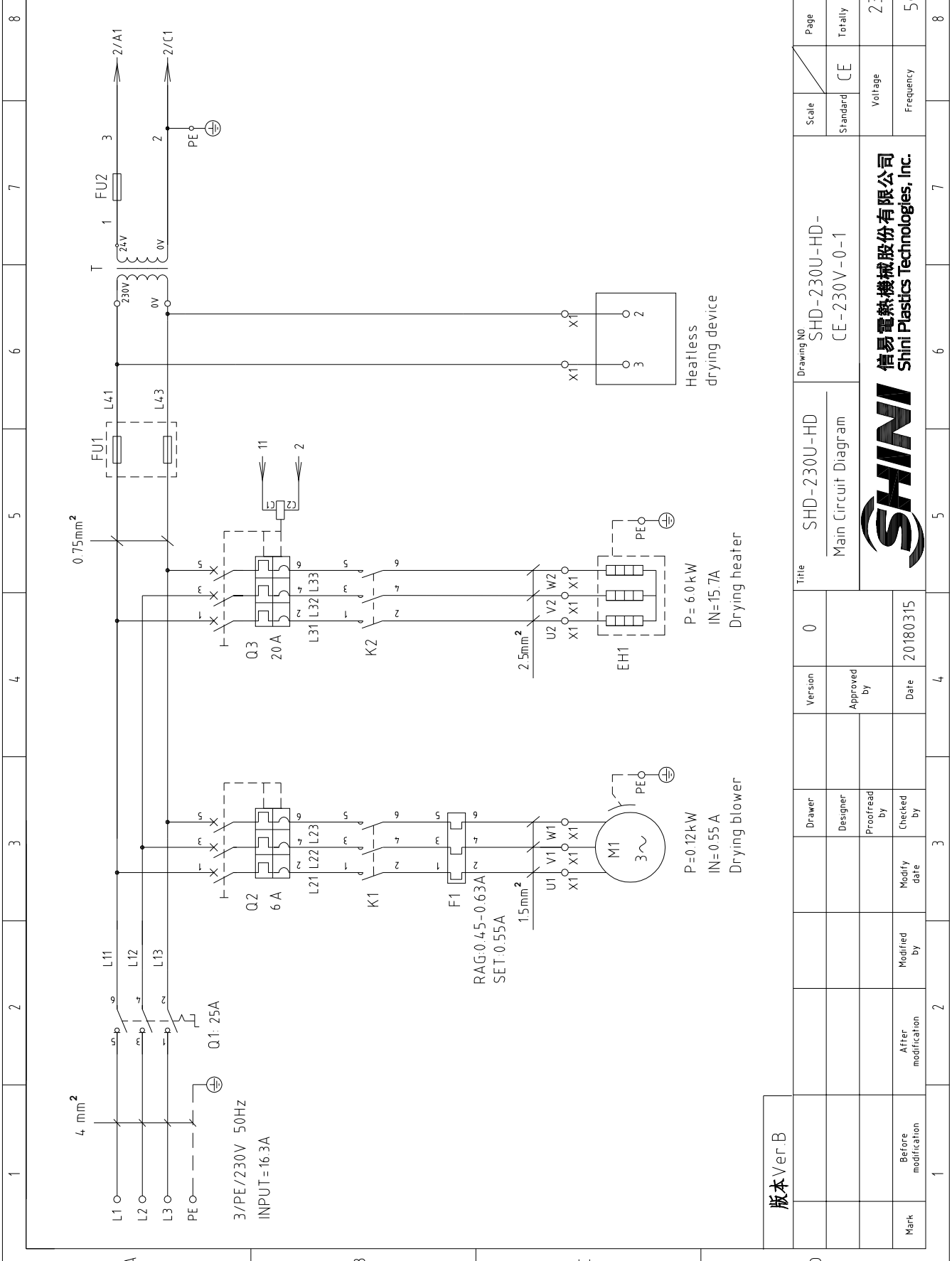
The main power lines directly connect to main power switch disconnect to terminal board.

版本 Ver.C Mark Before modification After modification Modify date Checked by Proofread by Designer Drawer	Title		Version		Drawing NO		Scale		Page		
	SHD-80U/120U-HD		0		SHD-80U/120U-HD		Standard		3		
	Electrical Components Layout		Approved by		CE-230V-0-3		CE		Totally 4		
	20170802		Date		Voltage		Frequency		230V		
20170802		Date		Frequency		Voltage		50HZ			
2		3		4		5		6		7	
1		3		4		5		6		7	
1		3		4		5		6		7	
1		3		4		5		6		7	



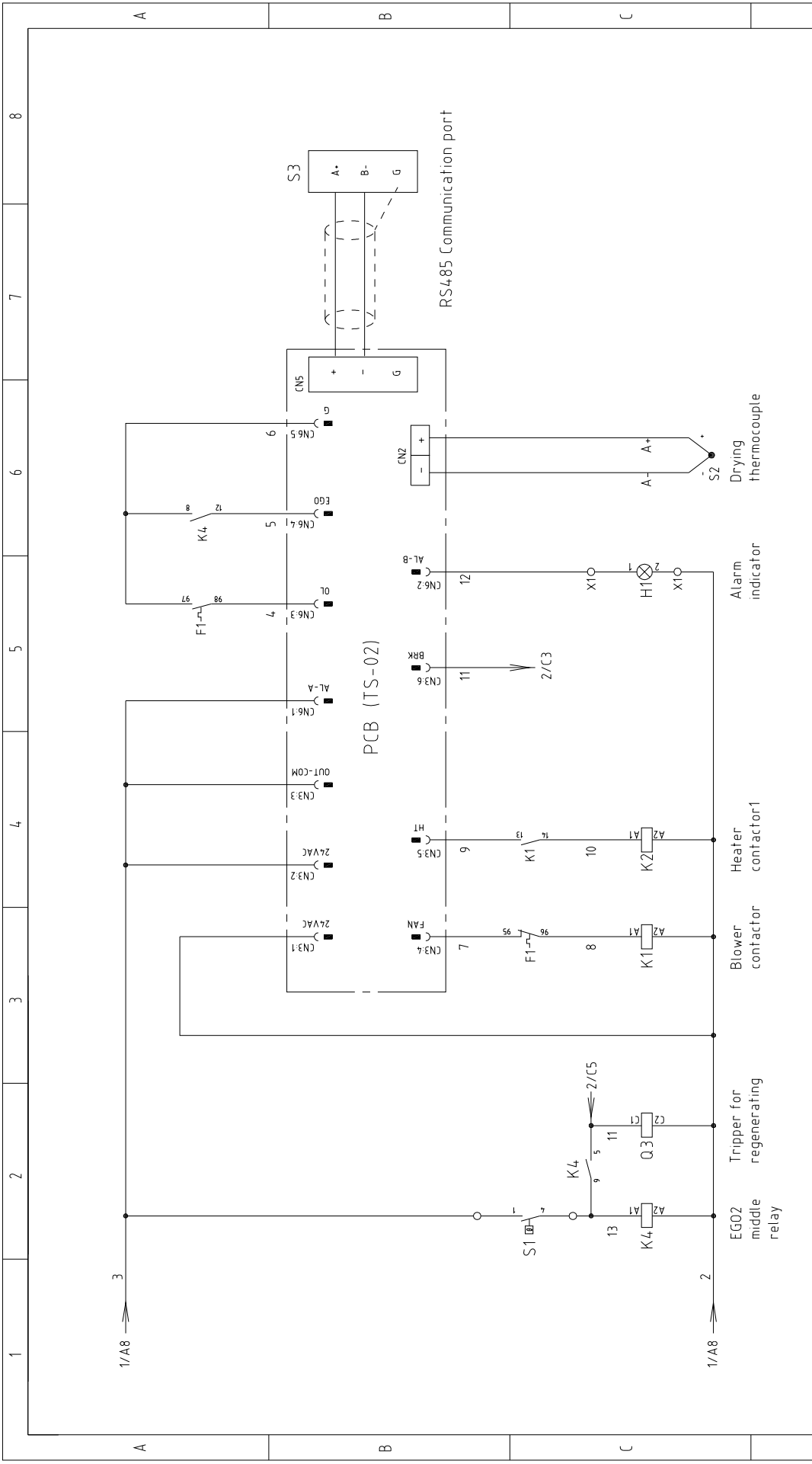
1	2		3	4	5	6	7	8
NO.	Symbol	Name	Manufacturer	Type	Specification	Number	Material number	Remark
1	Q1	Main power switch	EATON	T0-2-1EA/SVB	16A 3P 690V 50/60Hz	1	YE10021160000	
2	Q3	Circuit-breaker	TECO	BM-63C/3016S	16A	1	YE40301603000	
3		Excitation release	CHINT	MX	24V AC	1	YE40024.000000	A
4	Q2	Circuit-breaker	TECO	BM-63C/3006S	6A	1	YE40300603000	
5	K1	Contactor	SIEMENS	3RT6015-1AB01	7A 3P 1N0 24V AC	1	YE00601502500	
6	K2	Contactor	SIEMENS	3RT6018-1AB01	16A 3P 24V AC	1	YE00601802500	
7	K4	Middle relay	HONEYWELL	GR-2C-AC24V配座PRG-2C-E	24V 50/60Hz	1	YE030224.00300	
8	F1	Overload relay	SIEMENS	3RU5116-0GB0	0.45-0.63A 690V 50/60Hz	1	YE01456300000	
9	FU1	Fuse base	CHINT	RT28-32	2P/32A/500V/10x38	1	YE41032200000	
10		Fuse core	CHINT	10x38 500V/gG型	2A	2	YE46002000100	
11	FU2	Fuse	YINDA	FS-10	6x30mm 5A 250V	1	YE41001000000/YE4663050100	B
12	T	Transformer	BAIYUN	--	IN=230V OUT=24V 120VA	1	YE70023005500	
13	PCB	PCB/Control box	YUYUN	TS-01124VAC(include communication)	24V 50/60Hz	1	YE800124.004.00/YR4.04.00240000	
14		Lampshade(SIC-015)				1	YR9044.1300000	
15		Panel for SHD200-1200U(Ch&Eng /Version sickness >65N(SHD-200-A-4)/Pressing plate of display screen for SHD-80U-A-4(3188x53±0.3x1.0) 0				1	YR010000000100/YR900000003300	
16		Panel for SHD200-1200U(Eng /Version sickness65N/Pressing plate of display screen for SHD-80U-A-4(3188x53±0.3x1.0) 0				1	YR01002000100/YR900000003300	
17	S1	Temperature protector	EGO	--	115-320 °C	1	BH90115000150	
18	S2	Thermocouple	SHINI	K TYPE	--	1	----	(1)
19	H1	Alarm indicator	SHINI	LED-3051紅白色	24V AC	1	YE83305100900	
20	X1	Terminal		--	2.5mm ²	10	YE60002503200	
21		Terminal		--	2.5mm ² PE	3	YE60002503400	
22	M1	Blower	--	--	0.12kW	1	----	(1)
23	EH1	Heater	SHINI	--	3.9kW	1	----	(1)
24	S3	Communication interface board RS-485 (double DSub-9pin connector)	--	--	--	1	YE90048501200	
25		Shell RS485(SAL-700G-A-19)0	--	--	--	1	YR40048500000	
版本 Ver.C								
Notes: (1)Means it's not the material inside the control box.								
D			Title	Drawing NO	Scale	Page	4	8
			SHD-80U/120U-HD	SHD-80U/120U-HD-	Standard	CE	Totally	4
			Electrical Components List	CE-230V-0-4	Voltage	Frequency	230V	50HZ
Mark			Before modification	Modified by	Modify date	Checked by	Date	20170802
1			2	3	4	5	6	7
1			2	3	4	5	6	7





Mark	Before modification	After modification	Modified by	Modify date	Checked by	Proofread by	Designer	Drawer	Version	0	Title	SHD-230U-HD- Main Circuit Diagram		Scale	Standard	CE	Page	1
									Approved by		SHD-230U-HD- CE-230V-0-1	Voltage	230V				Totally	5
									Date	20180315	SHINI 信易電熱機械股份有限公司 Shini Plastics Technologies, Inc.		Frequency	50Hz				

版本 Ver.B

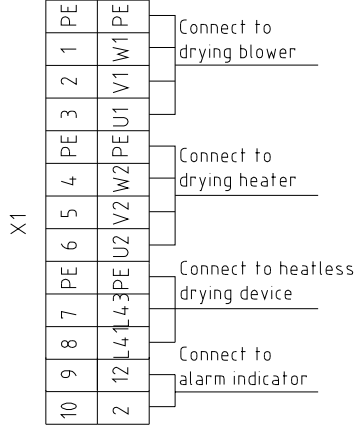
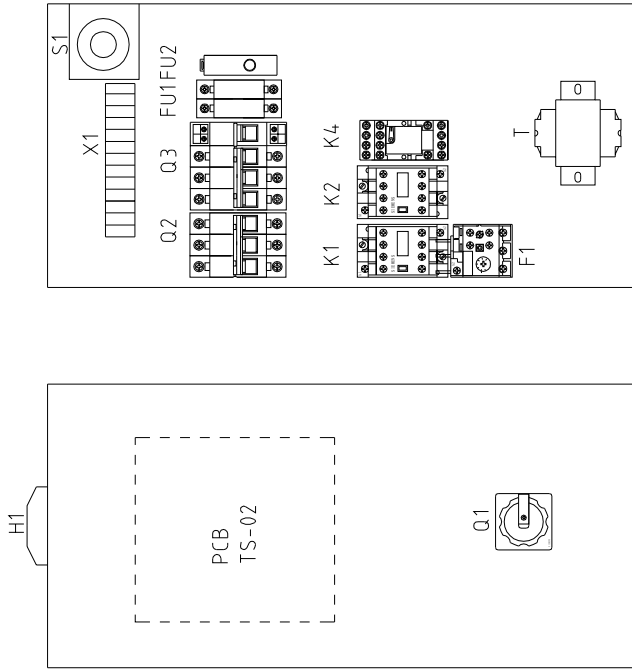


版本 Ver.B		Title SHD-230U-HD- Control Circuit Diagram		Drawing NO SHD-230U-HD- CE-230V-0-2		Page 2	
Mark		Version 0		Standard CE		Totally 5	
Before modification		Approved by		Voltage 230V		Pages	
After modification		Date 20180315		Frequency 50HZ			
Modified by		Date		Voltage		Frequency	
Modify date		Date		Voltage		Frequency	
Checked by		Date		Voltage		Frequency	
Proofread by		Date		Voltage		Frequency	
Designer		Date		Voltage		Frequency	
Drawer		Date		Voltage		Frequency	



1 2 3 4 5 6 7 8

A B C



Control box

Panel

版本 Ver.B

The main power lines directly connect to main power switch disconnect to terminal board.

D	Title		SHD-230U-HD		SHD-230U-HD -		Scale		Page		
	Drawing NO		Electrical Components Layout		CE-230V-0-3		Standard		CE		
Version		Approved by		Date		Voltage		Frequency		Totally	
0		20180315		230V		50HZ		5		3	
Mark		Before modification		After modification		Modify date		Checked by		Proofread by	
1		2		3		4		5		6	
1		2		3		4		5		6	
1		2		3		4		5		6	
1		2		3		4		5		6	
1		2		3		4		5		6	



1	2		3	4	5	6	7	8
NO.	Symbol	Name	Manufacturer	Type	Specification	Number	Material number	Remark
1	Q1	Main Switch	EATON	P1-25/EA/SVB/25A	25A 3P 400V 50/60Hz	1	YE10125250000	
2	Q3	Circuit-breaker	TECO	BM-63C/3020S	20A 3P	1	YE40302003000	
3		Excitation Release	TECO	MX	24V 50/60Hz	1	YE40024000000	A
4	Q2	Circuit-breaker	TECO	BM-63C/3006S	6A 3P	1	YE40300603000	
5	K1	Contactor	SIEMENS	3RT6015-1AB01	7A 3P 1N0 24V AC	1	YE00601502500	
6	K2	Contactor	SIEMENS	3RT6026-1AC20	25A 3P 24V AC	1	YE00602602600	
7	K4	Middle Relay	HONEYWELL	GR-2C-AC24V配座PGR-2C-E	24V 50/60Hz	1	YE03022400300	
8	F1	Thermo Overload Relay	SIEMENS	3RU6116-0GB0	0.45-0.63A 690V 50/60Hz	1	YE01161450000	
9	FU1	Fuse Base	CHINT	RT28N-32/2P/32A/500V/10x38		1	YE410322200000	
10		Fuse Core	CHINT	10x38 500V/gG型	2A	2	YE46002000100	
11	FU2	Fuse	YINDA	FS-101/6x30		1	YE41001000000	B
12	T	Transformer	-----	IN=230V OUT=24VAC 80VA	80VA	1	YE7024-8005900	
13	PCB	PCB	YUYUN	TS-02(24VAC)(含通讯)	24V 50/60Hz	1	YE80000101200	
14		Control box SSMD(SHD-40U-C-02)/ABS+PC(30%)				1	YR40400200000	
15		Lamp cover(SIC-015)				1	YR90441300000	
16		Panel for 2018 105.5x84.5MM Version sickness>65N				1	YP30201800100	
17		Pressing plate of display screen SHD-80U-A-4.3(88x53±0.3x1.0)				1	YR90000003300	
18	S1	EGO	----	115-320℃ 55.13262.160	不带塑胶保护盒	1	BH90115000150	
19	S2	Thermocouple	SHINI	5x40LxM8x15M (SHD-120U-A-12 0版)		1	----	(1)
20	H1	Alarm Indicator	SHINI	LED-3051红白色	24V AC	1	YE83305100900	
21	X1	Terminal		--	4mm ²	6	YE600000403200	
22					4mm ² PE	2	YE600000403500	
23					2.5mm ²	4	YE600002503200	
24					2.5mm ² PE	1	YE60002503400	
25	M1	Blower 4''	SHINI	A02-5622	0.12kW 200-240V 50HZ	1	----	(1)

版本 Ver.B Notes: (1)Means it's not the material inside the control box.

D	1	2	3	4	5	6	7	8					
Mark	Before modification	After modification	Modified by	Modify date	Checked by	Proofread by	Designer	Drawer	Version	Title	Drawing NO	Scale	Page
									0				
									Approved by				4
				20180315					Date				5
													5
													8



1	2		3	4	5	6	7	8
NO	Symbol	Name	Manufacturer	Type	Specification	Number	Material number	Remark
26	EH1	Heater	SHINI	SHD-230U(6KW)3Φ230V	6kW	1	----	
27	S3	Communication interface board RS-485 (double Dsub-9pin connector)	--	--	--	1	YE90048501200	(1)
28		Shell RS485(SAL-700G-A-19)0	--	--	--	1	YR4-004-8500000	A
29		Terminal fittings E/GKseries(honeywell)				6	YE60000003900	

版本 Ver.B Notes: (1)Means it's not the material inside the control box.

Mark	Before modification	Modified by	Modify date	Checked by	Date	20180315		
	After modification	Modified by	Modify date	Checked by	Date	20180315		
		Proofread by		Approved by		0		Title
		Designer		Version		0		SHD-230U-HD
		Drawer		Version		0		SHD-230U-HD
								Electrical Components List 2
								SHD-230U-HD- CE-230V-0-5
								Drawing NO
								Scale
								Standard
								CE
								Voltage
								230V
								Frequency
								50HZ
								Page
								5
								Totally
								5
								Pages
								5

SHINI
信易電熱機械股份有限公司
Shini Plastics Technologies, Inc.