
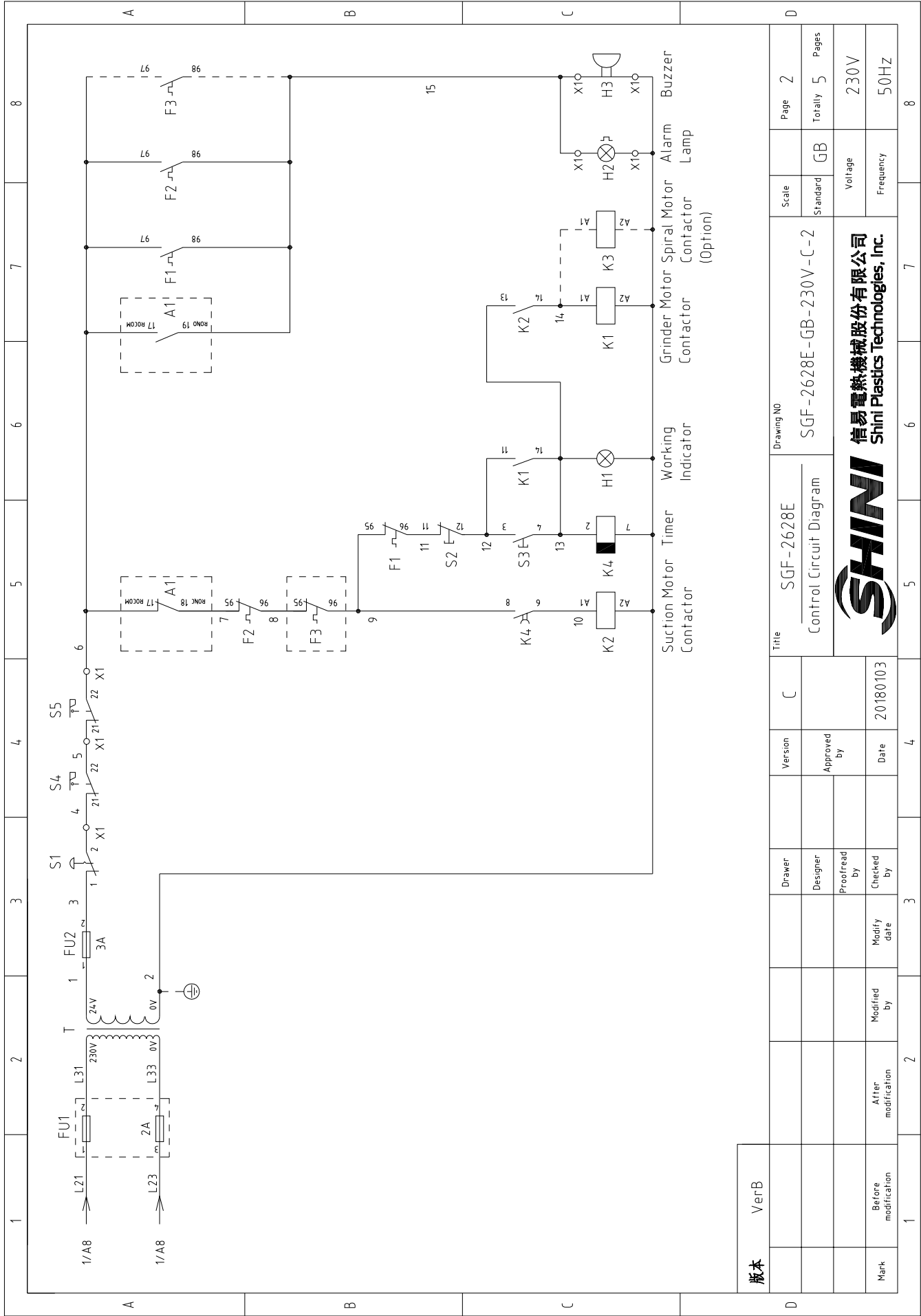


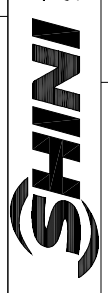
版本	VerB	Title		Drawing No		Scale	Page 1	
		SGF-2628E		SGF-2628E-GB-230V-C-1		Standard	Totally 5 Pages	
Mark	Before modification	Version	C	Main Circuit Diagram		Voltage	230V	
	After modification		Approved by				Frequency	50HZ
		Designer						
		Proofread by						
		Checked by	20180103					
		Modify date						
		Modified by						
		Date						
			4	5	6	7	8	
			Notes: when machine is optional with rotating motor, the feeding blower M2 is: P=1.1kW IN=4.3A, thermal overload F2 is RANGE 3.5-5.0A SET:4.3A.					
			 信易电热机械股份有限公司 Shini Plastics Technologies, Inc.					



版本	VerB
Mark	Before modification
Modified by	
Modify date	
Checked by	
Proofread by	
Designer	
Drawer	

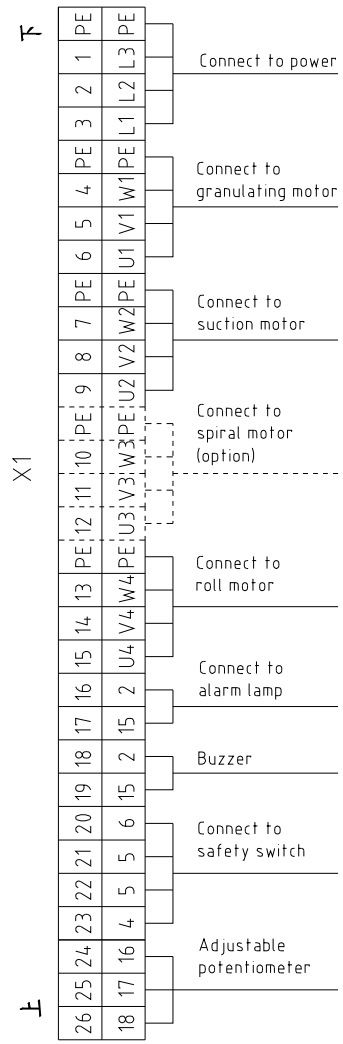
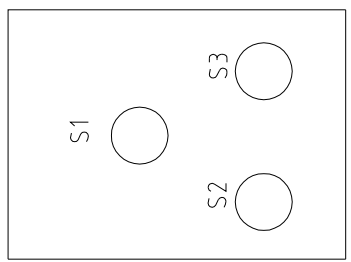
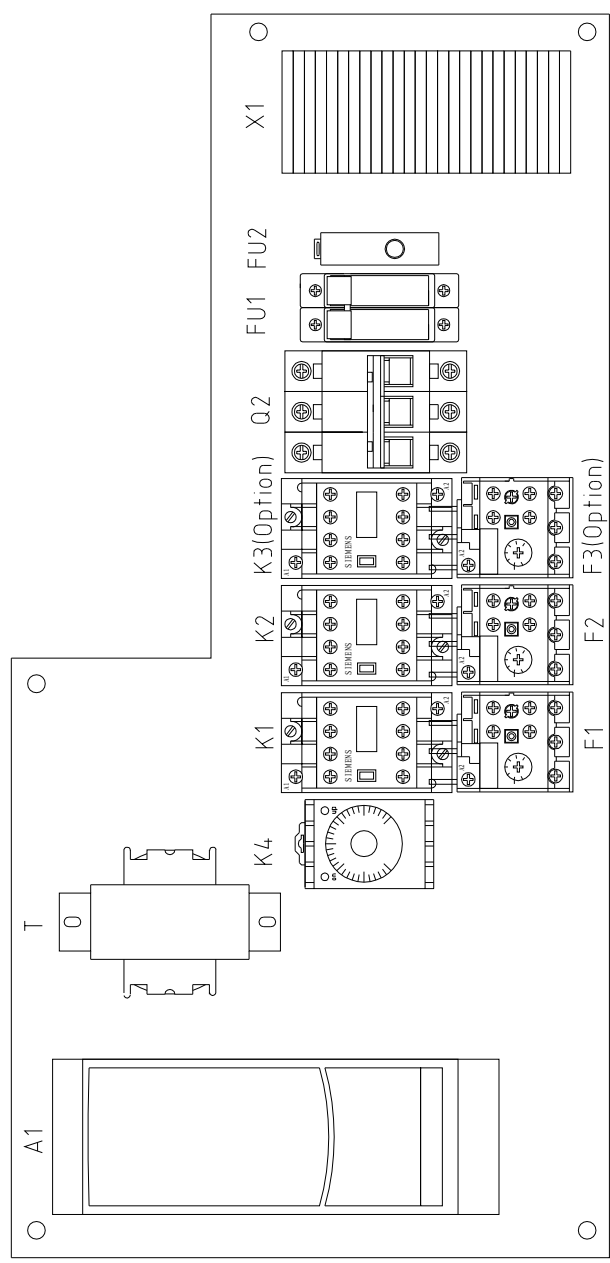
Version	C
Approved by	
Date	20180103
Checked by	
Proofread by	
Designer	
Drawer	

Title		SGF-2628E		Drawing NO		SGF-2628E-GB-230V-C-2	
Control Circuit Diagram		Scale		Standard		GB	
Voltage		Frequency		Page		2	
230V		50HZ		Totally		5	
Pages		Scale		Page		2	
5		GB		Totally		5	



信易電熱機械股份有限公司
Shini Plastics Technologies, Inc.

1 2 3 4 5 6 7 8



版本	VerB
Mark	Before modification
Mark	After modification
Modified by	
Modify date	
Checked by	
Proofread by	
Designer	
Drawer	
Version	C
Approved By	
Date	20180103

Title		SGF-2628E		Drawing NO		SGF-2628E-GB-230V-C-3	
Electrical Components Layout		Scale		Standard		GB	
Voltage		Frequency		Page		3	
230V		50HZ		Totally		5	
Pages		Standard		Voltage		230V	
50HZ		Frequency		Page		3	



1 2 3 4 5 6 7 8

1		2		3		4		5		6		7		8	
序号/No.	符号/Symbol	名称/Name	制造商/Manufacturer	型号/Type	规格/Specification	数量/Number	物料编号/Material number	备注/Remark							
1	Q1	主电源开关/Main power switch	EATON	P1-25/EA/SVB	25A	1	YE10125250000								
2	Q2	断路器/Circuit-breaker	TECO	BM-63C/3032S	32A	1	YE40303203000								
3	K1	接触器/Contactor	SIEMENS	3RT16026-1AC20	24VAC 50/60Hz	1	YE00602602600								
4		辅助触点/Auxiliary contact	SIEMENS	3RH6911-1AA10	1NO	1	YE00691100000								
5	K2	接触器/Contactor	SIEMENS	3RT16016-1AB01	24VAC 50/60Hz	1	YE00601602500								
6	K3	接触器/Contactor	SIEMENS	3RT16016-1AB01	24VAC 50/60Hz	1	YE00601602500	(2)							
7	K4	时间继电器/Timer relay	YUYUN	TRF-N 3M	24VAC 50/60Hz	1	YE86032400000								
8	F1	热过载继电器/Overload relay	SIEMENS	3RU6126-4BB0	14-20A	1	YE01260140000								
9	F2	热过载继电器/Overload relay	SIEMENS	3RU6116-1DB0	2.2-3.2A	1	YE01160220000								
10	F2	热过载继电器/Overload relay	SIEMENS	3RU6116-1FB0	3.5-5.0A	1	YE01160350000	(2) 修改							
11	F3	热过载继电器/Overload relay	SIEMENS	3RU6116-0KB0	0.9-1.25A	1	YE01160900000	(2)							
12	FU1	熔断器/Fuse	CHNT	RT28N-32	2P	1	YE41032200000								
13	FU2	熔断器芯/Fuse core	CHNT	10x38 500V	2A	2	YE46002000100								
14		熔断器/Fuse	YINDA	FS-101	----	1	YE41001000000								
15		玻璃保险管/Glass Fuse	----	6x30	3A	1	YE46630500200								
16	A1	变频器/Inverter	ABB	ACS355-03E-02A4-2	230V 0.37KW	1	YE75355300000								
17	T	互感器/Transformer	BAIYUN	-----	IN=230V OUT=24V 80VA	1	YE70248005900								
18	X1	端子排/Terminal board	Honeywell	2.5mm ²	32A	17	YE60002503200								
19		端子排/Terminal board	Honeywell	6.0mm ²	--	3	YE60000603200								
20		端子排/Terminal board	Honeywell	6.0mm ² PE	--	1	YE60000603500								
21		端子排/Terminal board	Honeywell	4.0mm ²	--	3	YE60000403200								
22		端子排/Terminal board	Honeywell	4.0mm ² PE	--	1	YE60000403500								
23		端子排/Terminal board	Honeywell	2.5mm ²	32A	3	YE60002503200	(2)							
24		端子排/Terminal board	Honeywell	2.5mm ² PE	32A	2	YE60002503400								
25		端子排/Terminal board	Honeywell	2.5mm ² PE	32A	1	YE60002503400	(2)							
版本		VerB		Notes: (1)Means it's not the material inside the control box. (2) Option of rotating feeding motor.											
		Drawer		Version		Title		Drawing No		Scale		Page		4	
		Designer		Approved by		SGF-2628E		SGF-2628E-GB-230V-C-4		Standard		GB		Totally 5	
		Proofread by		Date		Electrical Components list 1				Voltage		230V			
Mark		Modified by		Modify date						Frequency		50HZ			
1		2		3		4		5		6		7		8	

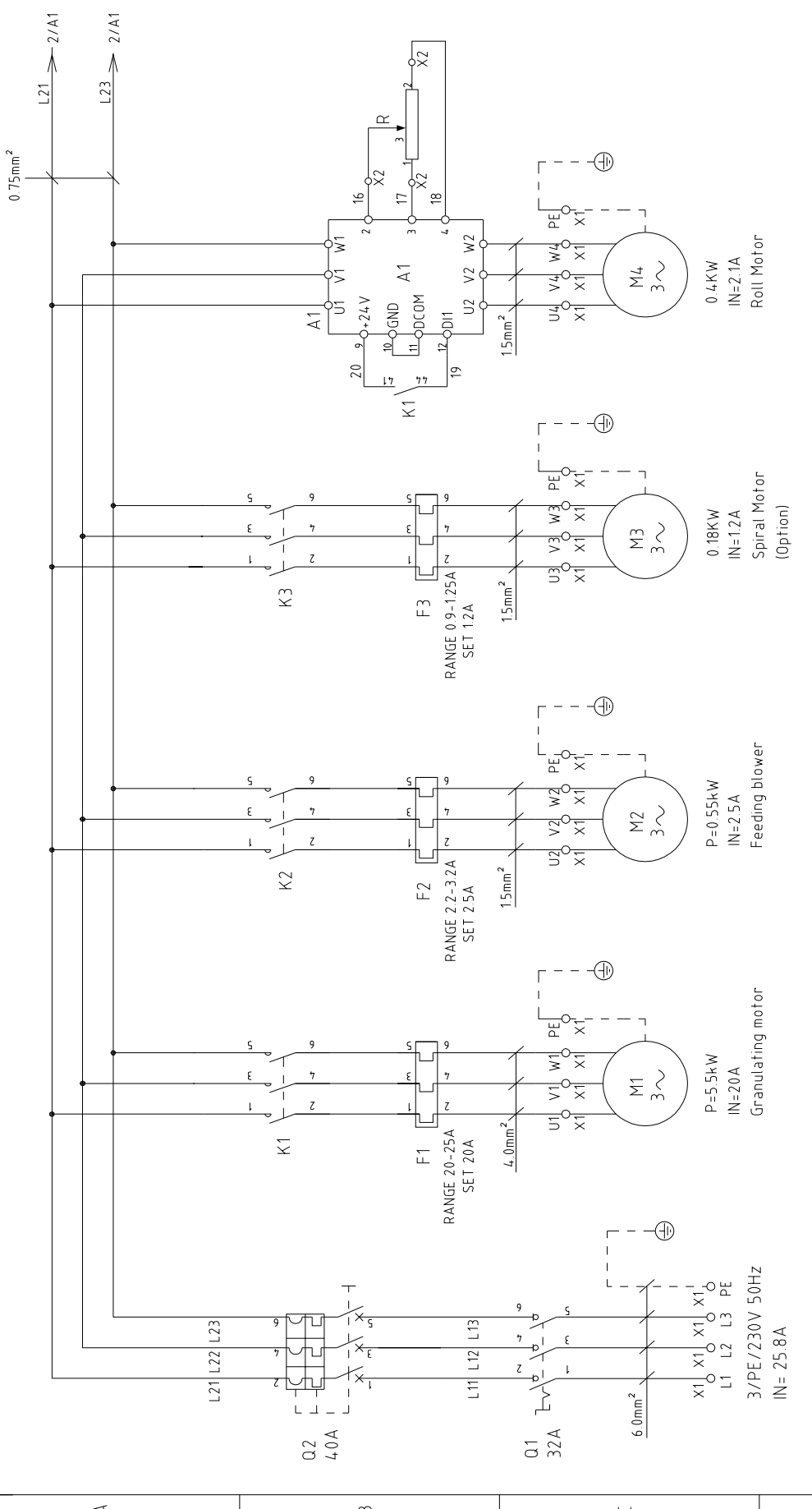


1	2	3	4	5	6	7	8	
序号/No.	符号/Symbol	名称/Name	制造商/Manufacturer	型号/Type	规格/Specification	数量/Number	物料编号/Material number	备注/Remark
24	S1		SCHNEIDER	XB2BS542C	230VAC	1	YE11254200000	
25	S2		SCHNEIDER	XB2BA22C	230VAC	1	YE11222000000	
26	S3,H1		SCHNEIDER	XB2BW33B1C	24VAC	1	YE11233300000	A
27	S4,S5		SCHMERSRC	AZ152VK-1476	AC-15	2	YE16147600100	(1)
28	H2		SHINI	LED-3051	24VAC	1	YE83305100900	(1)
29	H3		TEND	EA-2	24VAC 50Hz	1	YE84240200000	
30	R		---	LA42DWQ-22	LA42DWQ-22/10K	1	YE90422200000	
31	M1		---	---	230V 50/60Hz 4.0KW	1	----	(1)
32	M2	马达/Motor	---	---	230V 50/60Hz 0.55KW	1	----	(1)
33	M2	马达/Motor	---	---	230V 50/60Hz 1.1KW	1	----	(1)(2)修改
34	M3	马达/Motor	---	---	230V 50/60Hz 0.18KW	1	----	(1)
35	M4	马达/Motor	---	---	230V 50/60Hz 0.4KW	1	----	(1)
36			HONEYWELL	---	---	5	YE60000003900	修改

版本 VerB Notes: (1)Means it's not the material inside the control box.

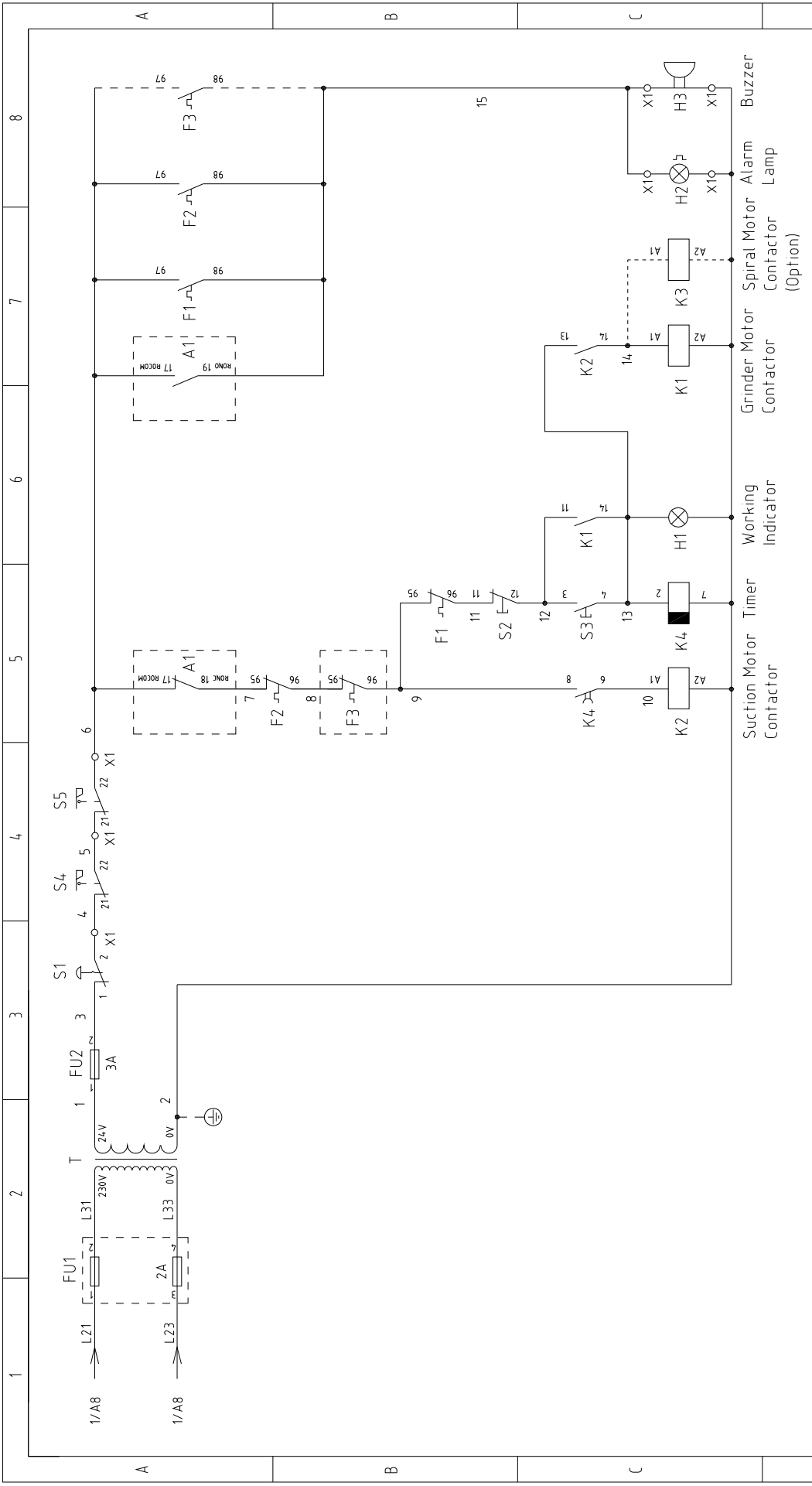
D


Scale	Standard	GB	Page	5
Drawing No		SGF-2628E-GB-230V-C-5		
Title		SGF-2628E Electrical Components List 2		
Version	C	Approved by		
Designer		Proofread by		
Modified by		Checked by	Date	20180103
Before modification		信易电热机械股份有限公司 Shini Plastics Technologies, Inc.		
Mark		Voltage		230V
		Frequency		50HZ
1	2	3	4	8



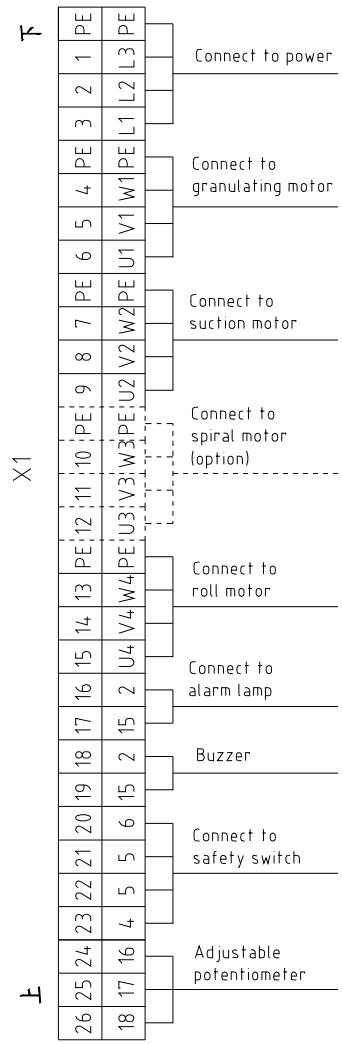
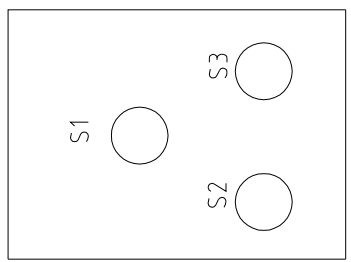
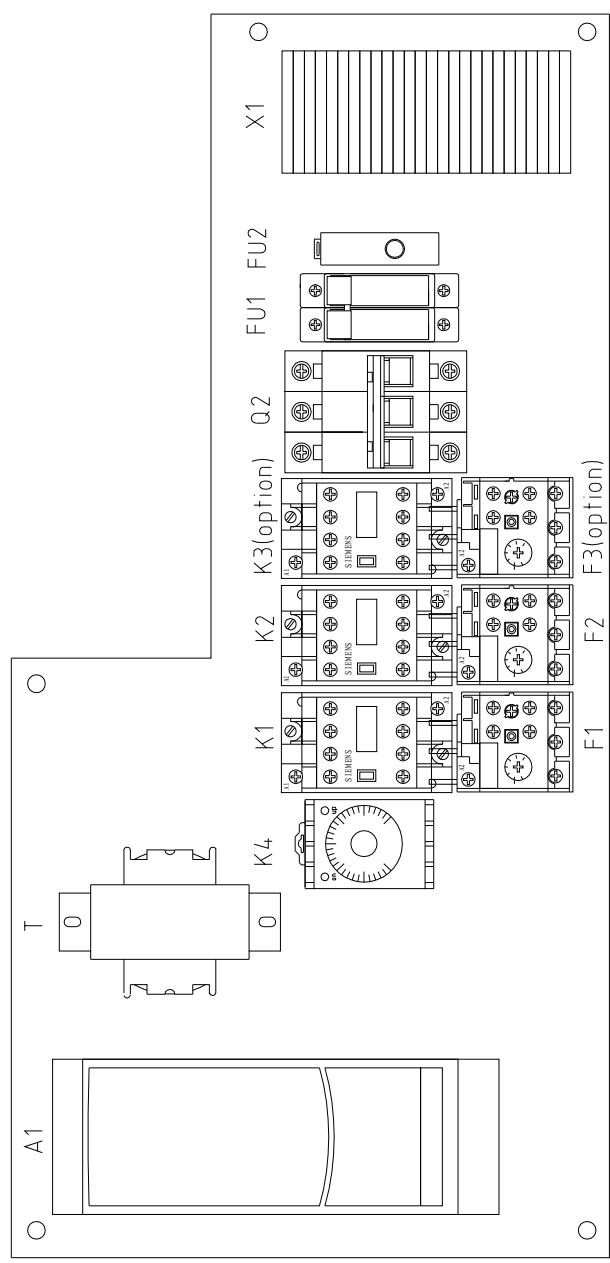
版本	VerB		
	Notes: when machine is optional with rotating motor, the feeding blower M2 is: P=1.1kW IN=4.3A, thermal overload F2 is RANGE 3.5-5.0A SET 4.3A.		
Mark	Before modification	Modified by	20180103
	After modification	Modify date	20180103
Title	SGF-2642E		SGF-2642E-GB-230V-C-1
	Main Circuit Diagram		
Version	C		Approved by
			Date
Scale	Standard		GB
	Voltage		230V
Page 1		Page 1	
Totally 5		Pages	
Frequency		50HZ	





版本	VerB		Title	SGF-2642E		Drawing NO	SGF-2642E-GB-230V-C-2		Scale	Page 2	
				Control Circuit Diagram			Standard			GB	
Mark	Before modification	Modified by	Modified date	Checked by	Date	20180103	 信易電熱機械股份有限公司 Shini Plastics Technologies, Inc.		Voltage	230V	
									Frequency	50HZ	
1	2	3	4	5	6	7	8				

1 2 3 4 5 6 7 8



版本	VerB
Mark	Before modification
Mark	After modification
Modified by	
Modify date	
Checked by	20180103
Proofread by	
Designer	
Drawer	
Version	C
Approved By	
Date	

Title		Drawing NO	
SGF-2642E		SGF-2642E-GB-230V-C-3	
Electrical Components Layout			
Scale	Standard	Page	Totally
	GB	3	5
Voltage		Frequency	
230V		50HZ	

SHINI
 信易电热机械股份有限公司
 Shini Plastics Technologies, Inc.

1	2		3			4		5		6		7		8	
序号/No.	符号/Symbol	名称/Name	制造商/Manufacturer	型号/Type	规格/Specification	数量/Number	物料编号/Material number	备注/Remark							
1	Q1	主电源开关/Main power switch	EATON	P1-32/EA/SVB	32A	1	YE10323200000								
2	Q2	断路器/Circuit-breaker	TECO	BM-63C/3040S	40A	1	YE40304.003000								
3	K1	接触器/Contactor	SIEMENS	3RT16026-1AC20	24VAC 50/60Hz	1	YE00602602600								
4		辅助触点/Auxiliary contact	SIEMENS	3RH6911-1AA10	1NO	1	YE00691100000								
5	K2	接触器/Contactor	SIEMENS	3RT16016-1AB01	24VAC 50/60Hz	1	YE00601602500								
6	K3	接触器/Contactor	SIEMENS	3RT16016-1AB01	24VAC 50/60Hz	1	YE00601602500	(2)							
7	K4	时间继电器/Timer relay	YUYUN	TRF-N 3M	24VAC 50/60Hz	1	YE860324.00000								
8	F1	热过载继电器/Overload relay	SIEMENS	3RU6126-4DB0	20-25A	1	YE01260200000								
9	F2	热过载继电器/Overload relay	SIEMENS	3RU6116-1DB0	2.2-3.2A	1	YE01160220000								
10	F2	热过载继电器/Overload relay	SIEMENS	3RU6116-1FB0	3.5-5.0A	1	YE01160350000	(2) 修改							
11	F3	热过载继电器/Overload relay	SIEMENS	3RU6116-0KB0	0.9-1.25A	1	YE01160900000	(2)							
12	FU1	熔断器/Fuse	CHNT	RT28N-32	2P	1	YE4.10322000000								
13	FU2	熔断器芯/Fuse core	CHNT	10x38 500V	2A	2	YE4.6002000100								
14		熔断器/Fuse	YINDA	FS-101	----	1	YE4.10010000000								
15		玻璃保险管/Glass Fuse	----	6x30	3A	1	YE4.6630500200								
16	A1	变频器/Sensor transformer	ABB	ACS355-03E-02A4-2	230V 0.37KW	1	YE75355300000								
17	T	互感器/Transformer	BAIYUN	-----	IN=230V OUT=24V 80VA	1	YE7004.0005900								
18	X1	端子排/Terminal board	Honeywell	6.0mm ²	---	3	YE60000603200								
19		端子排/Terminal board	Honeywell	6.0mm ² PE	---	1	YE60000603500								
20		端子排/Terminal board	Honeywell	4.0mm ²	--	3	YE600004.03200								
21		端子排/Terminal board	Honeywell	4.0mm ² PE	--	1	YE600004.03500								
22		端子排/Terminal board	Honeywell	2.5mm ²	32A	17	YE60002503200								
23		端子排/Terminal board	Honeywell	2.5mm ² PE	32A	2	YE60002503400								
24		端子排/Terminal board	Honeywell	2.5mm ²	32A	3	YE60002503200	(2)							
25		端子排/Terminal board	Honeywell	2.5mm ² PE	32A	1	YE60002503400	(2)							
版本															
VerB Notes: (1)Means it's not the material inside the control box. (2) Option of rotating feeding motor.															
D															
			Drawing No		Scale		Page		4		4		8		
			Title		Electrical Components list 1		SGF-2642E		SGF-2642E-GB-230V-C-4		GB		Page		
			Version		Approved by		Voltage		230V		Frequency		50HZ		
			Designer		Proofread by		Date		20180103		Totally		5		
			Modified by		Modify date		Checked by				Frequency		50HZ		
Mark															
Before modification															
After modification															
1															
2															
3															
4															
5															
6															
7															
8															



信易电热机械股份有限公司
Shini Plastics Technologies, Inc.

