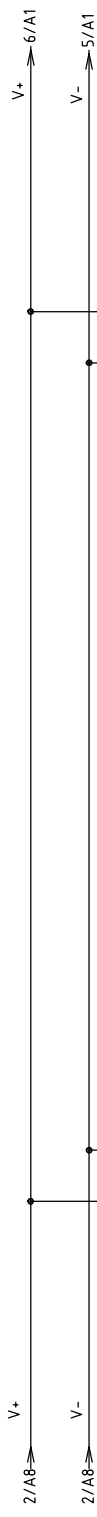


整机版本 Ver.C

Title		Drawing NO.		Scale	Page
SGB-1200-4		SGB-1200-4-CE-400V-A-2		Standard	2
Electrical Diagram 2				Totally	10
				Voltage	3/400V
				Frequency	50HZ
Version		Date		8	
A		20170608			
Designer	Proofread by	Modified by	After modification	Before modification	
Drawer	Checked by	Modify date			



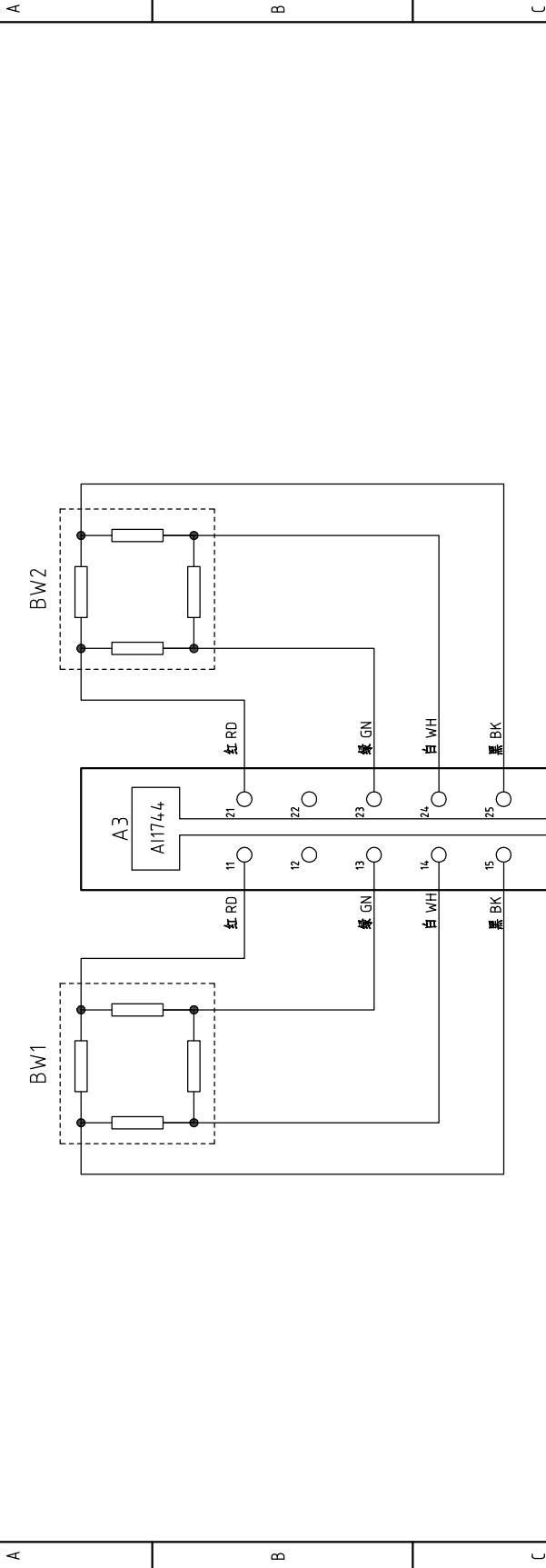


整机版本 Ver.C

Title		SGB-1200-4		Drawing NO.		Page 3	
Electrical Diagram 3		SGB-1200-4-CE-4.00V-A-3		Standard		CE	
Version		A		Voltage		3/400V	
Approved by		20170608		Frequency		50Hz	
Date		20170608		Totally		10	
Pages		3		Voltage		3/400V	
Frequency		50Hz		Frequency		50Hz	



1 2 3 4 5 6 7 8

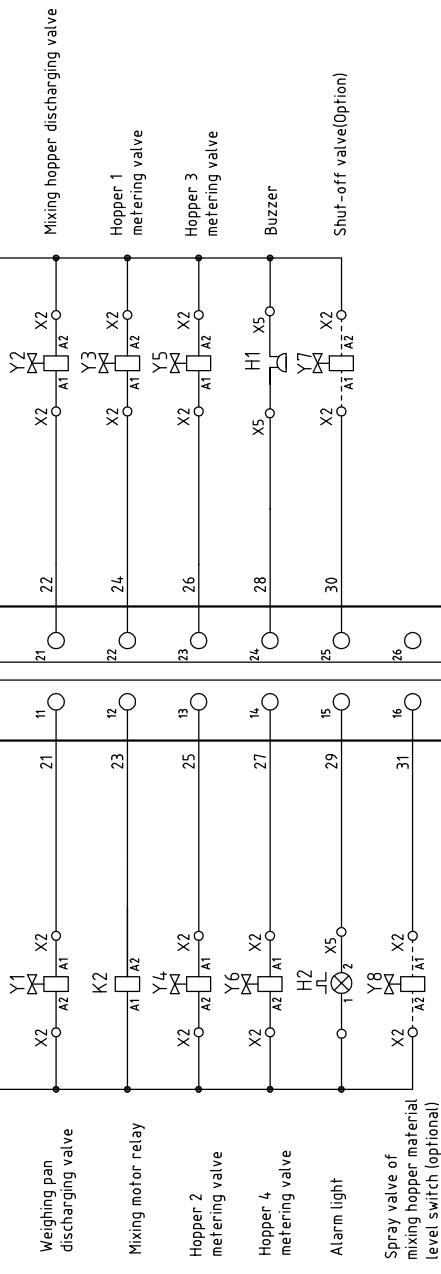
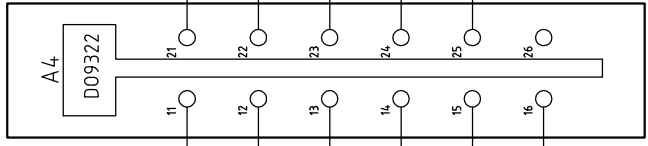


整机版本 Ver.C

Title		SGB-1200-4		Drawing NO.		SGB-1200-4-CE-4.00V-A-4		Scale		Page 4	
Version		A		Electrical Diagram 4		Standard		CE		Totally 10 Pages	
Drawer		Designer		Proofread by		Checked by		Voltage		3/4.00V	
Modified by		After modification		Modify date		Date		Frequency		50Hz	
Mark		20170608		SHINI		信易塑料机械股份有限公司 Shini Plastics Technologies, Inc.					

1 2 3 4 5 6 7 8

3/A8 → V- → 6/A1

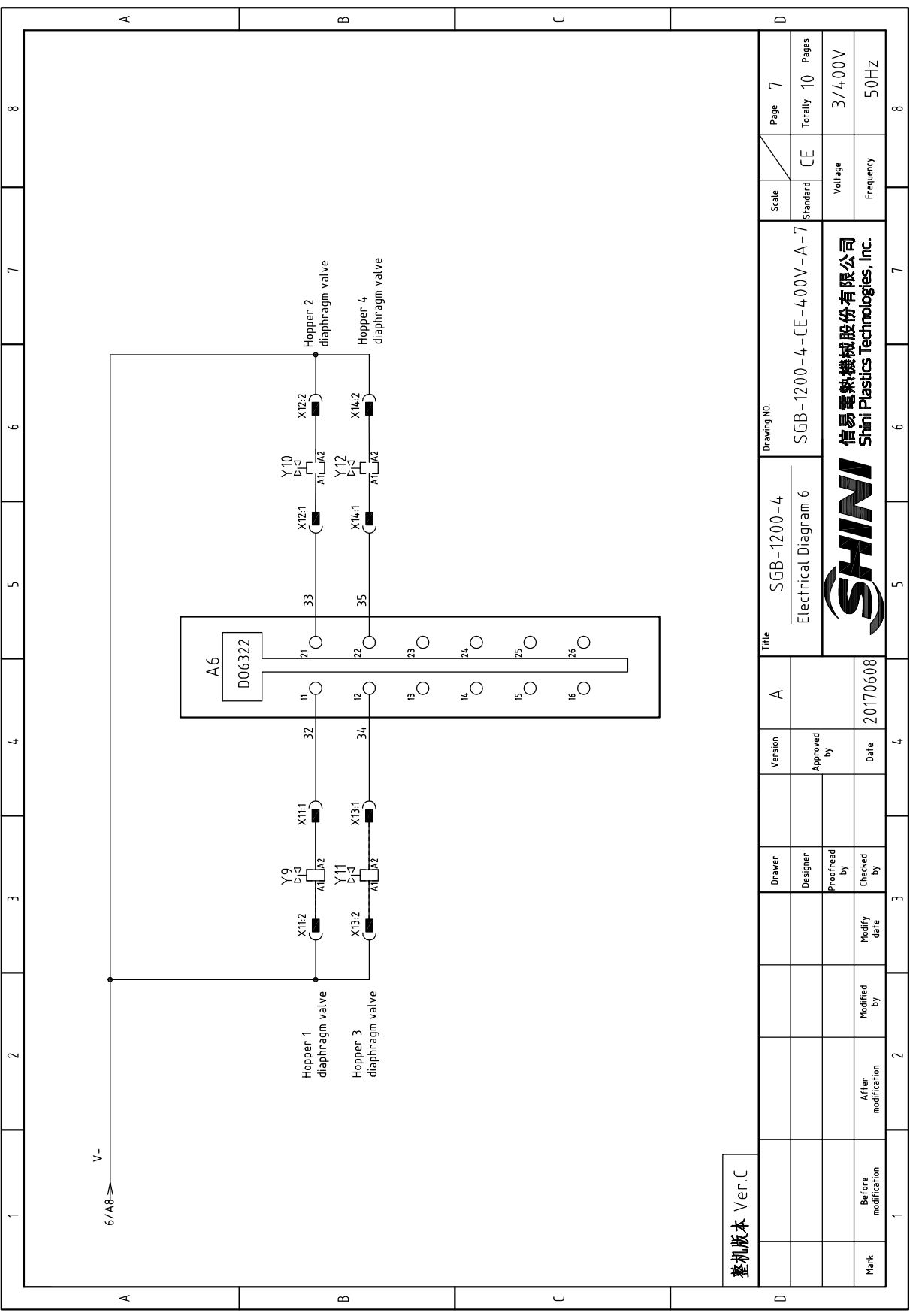


整机版本 Ver.C

Title		SGB-1200-4		Drawing NO.		Scale		Page 5	
Electrical Diagram 5		SGB-1200-4-CE-4.00V-A-5		Standard		CE		Totally 10 Pages	
Version		A		Designer		Proofread by		Voltage 3/4.00V	
Approved by		Date 20170608		Checked by		Modify date		Frequency 50Hz	
Mark		Before modification		After modification		Modified by		1	







整机版本 Ver.C

Mark	Before modification	Date	20170608	Version	A	Title	SGB-1200-4		Scale	Page 7
	After modification						Modified by	Electrical Diagram 6		
Modified by	Modify date	Checked by	Approved by	Drawer	Designer	Proofread by	SGB-1200-4-CE-4.00V-A-7		Standard	Totally 10
Before modification	Modified by	Checked by	Date	20170608	SHINI		信易塑料机械股份有限公司 Shini Plastics Technologies, Inc.		Voltage	3/400V
After modification	Modified by	Checked by	Date		SHINI		信易塑料机械股份有限公司 Shini Plastics Technologies, Inc.		Frequency	50Hz

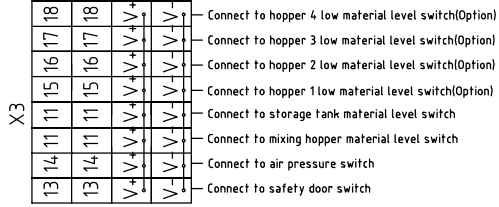
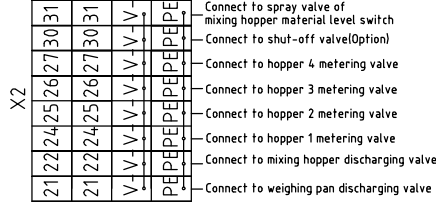
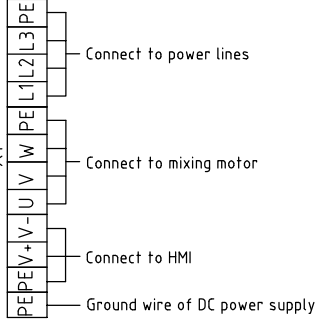
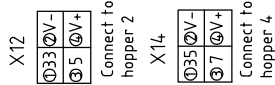
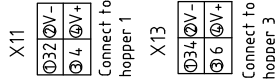
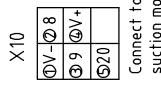
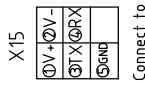
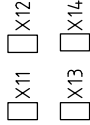
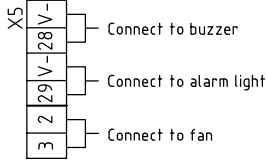
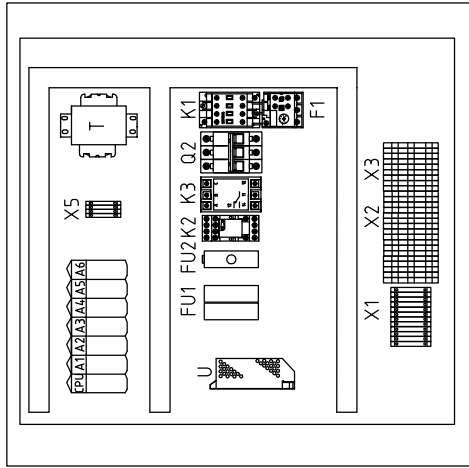
1 2 3 4 5 6 7 8

A

B

C

D



整机版本 Ver.C

Mark	Before modification	After modification	Modified by	Modify date	Checked by	Date	20170608
Designer	Proofread by	Approved by	Version	A	Title	SGB-1200-4	
Drawer	Designer	Proofread by	Approved by	Version	A	Electrical Components Layout	
Scale	Standard	CE	Scale	Standard	CE	SGB-1200-4-CE-4.00V-A-8	
Page	8	Page	8	Scale	Standard	Drawing No.	
Totally	10	Totally	10	Pages	3/400V	Voltage	
				Frequency	50HZ	Frequency	



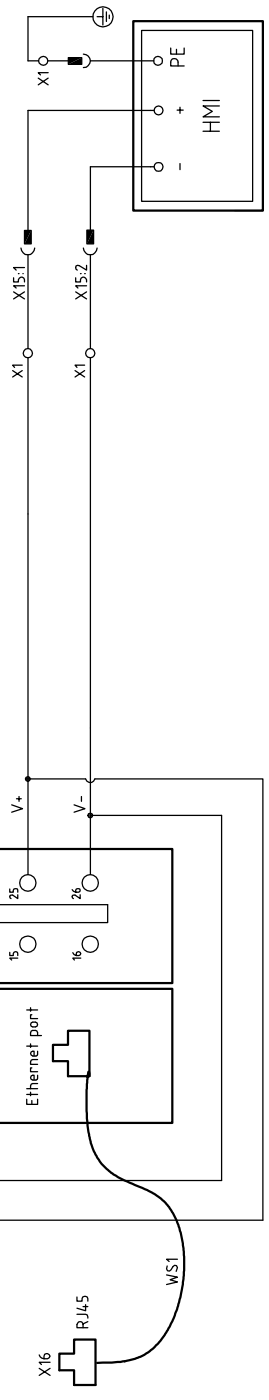
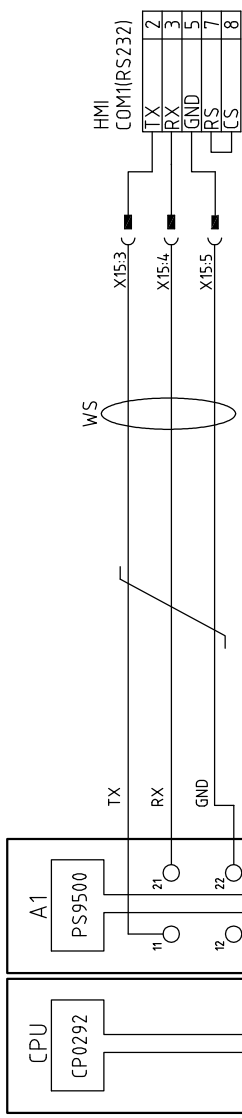
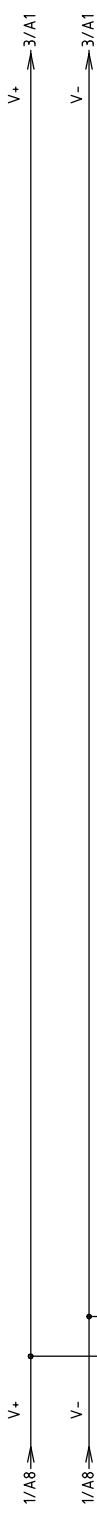
1 2 3 4 5 6 7 8





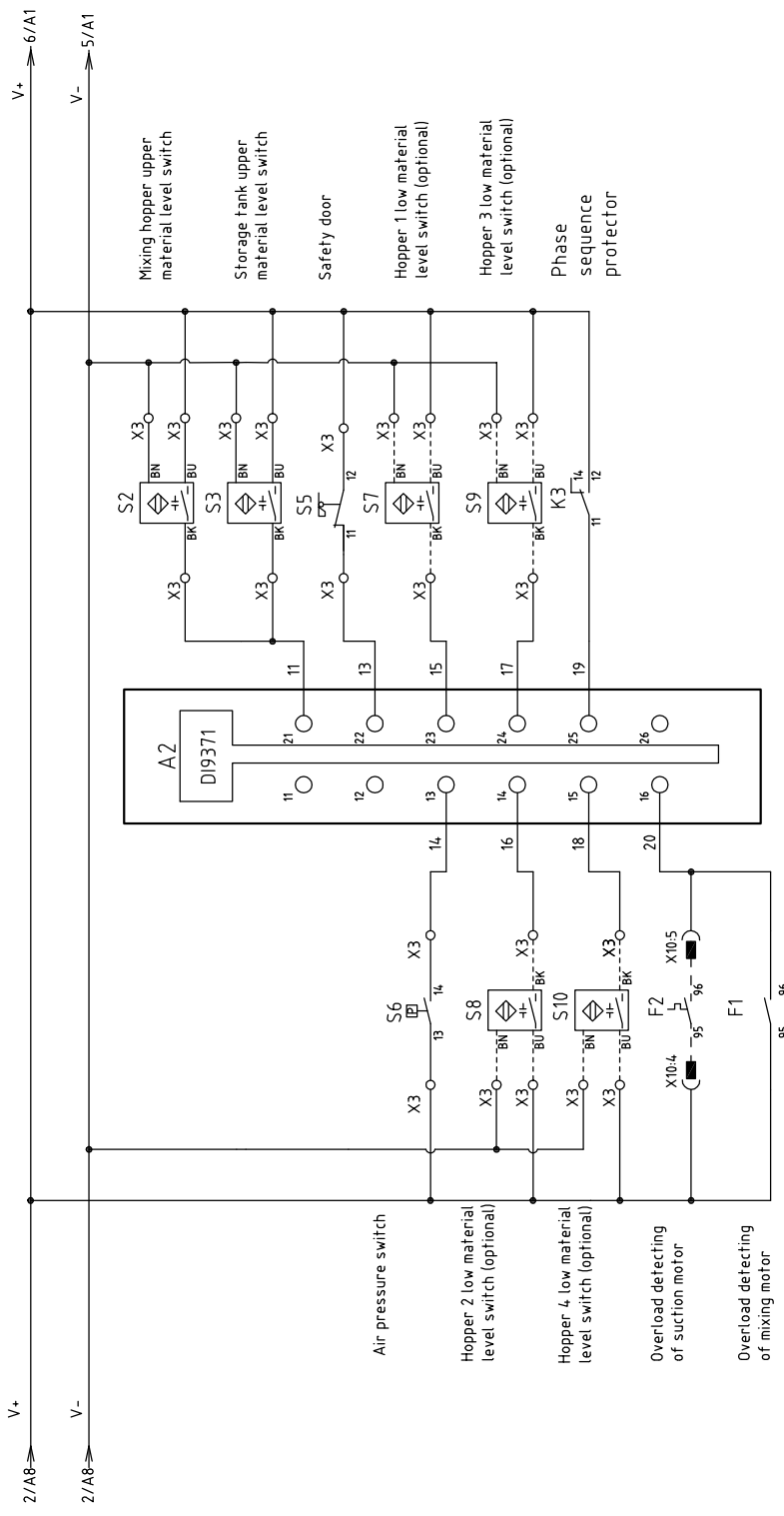
1		2		3		4		5		6		7		8																																																									
NO.	Symbol	Name	Manufacturer	Type	Specification	Number	Material number	Remark																																																															
26	X3	Terminal		SK2.5-TL	250V 2.5	4	YE60002503600	(2)																																																															
27	X5	Terminal		2.5mm <sup>2</sup>	----	6	YE61250040000																																																																
28	X11-X14	Heavy duty plug-in	SIBAS	HA-004-F	4P 10A	4	YE60000040000																																																																
29	X10 X15	Heavy duty plug-in	SIBAS	HDC-HQ-005	5P 10A	2	YE68000500000																																																																
30	WS	Communication cable	SHINI	----	1.5M 0.5x5C+ 9pin 母头串口	1	----																																																																
31	FM	Cooling fan	----	----	220~230VAC 50/60HZ	1	YM60121200400	(1)																																																															
32	M1	Mixing motor	----	0.55kW	400V 50/60HZ	1	----	(1)																																																															
33	Y1 Y3-Y6	Solenoid valve	FESTO	----	24VDC	5	----	(1)																																																															
34	Y2	Solenoid valve	FESTO	----	24VDC	1	----	(1)																																																															
35	Y7-Y8	Solenoid valve	FESTO	----	24VDC	2	----	(1)(2)																																																															
36		Power cable	----	----	2.5mm <sup>2</sup> x4C	4M	BE51250400450	(1)																																																															
37		Motor cable	----	----	1.5mm <sup>2</sup> x4C	1.5M	YE50150400000	(1)																																																															
38	WS1	Ethernet line	----	----	----	1.0M	YE90000101600																																																																
		Ethernet connector	----	RJ45F71	----	1	YE64457100000																																																																
A																																																																							
B																																																																							
C																																																																							
D																																																																							
整机版本 Ver.C Note: (1) means not part of control box. (2)stands for optional. <table border="1" style="width:100%; border-collapse: collapse;"> <tr> <td colspan="2">Title</td> <td colspan="2">SGB-1200-4</td> <td colspan="2">Drawing NO.</td> <td colspan="2">SGB-1200-4-CE-400V-A-10</td> <td colspan="2">Scale</td> <td colspan="2">Page</td> <td colspan="2">10</td> </tr> <tr> <td colspan="2">Electrical Components List 2</td> <td colspan="2">Version</td> <td colspan="2">A</td> <td colspan="2">Approved by</td> <td colspan="2">Standard</td> <td colspan="2">CE</td> <td colspan="2">Voltage</td> </tr> <tr> <td colspan="2">Date</td> <td colspan="2">20170608</td> <td colspan="2">Designer</td> <td colspan="2">Proofread by</td> <td colspan="2">Frequency</td> <td colspan="2">3/400V</td> <td colspan="2">50HZ</td> </tr> <tr> <td colspan="2">Checked by</td> <td colspan="2">Modified by</td> <td colspan="2">Modify date</td> <td colspan="2">Checked by</td> <td colspan="2">SHINI</td> <td colspan="2">信易塑料机械股份有限公司</td> <td colspan="2">Shini Plastics Technologies, Inc.</td> </tr> </table>																Title		SGB-1200-4		Drawing NO.		SGB-1200-4-CE-400V-A-10		Scale		Page		10		Electrical Components List 2		Version		A		Approved by		Standard		CE		Voltage		Date		20170608		Designer		Proofread by		Frequency		3/400V		50HZ		Checked by		Modified by		Modify date		Checked by		SHINI		信易塑料机械股份有限公司		Shini Plastics Technologies, Inc.	
Title		SGB-1200-4		Drawing NO.		SGB-1200-4-CE-400V-A-10		Scale		Page		10																																																											
Electrical Components List 2		Version		A		Approved by		Standard		CE		Voltage																																																											
Date		20170608		Designer		Proofread by		Frequency		3/400V		50HZ																																																											
Checked by		Modified by		Modify date		Checked by		SHINI		信易塑料机械股份有限公司		Shini Plastics Technologies, Inc.																																																											
<table border="1" style="width:100%; border-collapse: collapse;"> <tr> <td>1</td> <td>2</td> <td>3</td> <td>4</td> <td>5</td> <td>6</td> <td>7</td> <td>8</td> </tr> <tr> <td colspan="2">Before modification</td> <td colspan="2">After modification</td> <td colspan="2">Modified by</td> <td colspan="2">Modify date</td> </tr> <tr> <td colspan="2">Checked by</td> <td colspan="2">Date</td> <td colspan="2">20170608</td> <td colspan="2"></td> </tr> </table>																1	2	3	4	5	6	7	8	Before modification		After modification		Modified by		Modify date		Checked by		Date		20170608																																			
1	2	3	4	5	6	7	8																																																																
Before modification		After modification		Modified by		Modify date																																																																	
Checked by		Date		20170608																																																																			





整机版本 Ver.B

Title		Version		Drawer		Page	
SGB-2000/3000-4 Electrical Diagram 2		C				2	
Drawing NO.		Approved by		Designer		Scale	
SGB-2000/3000-4-CE-4.00V-C-2						CE	
SHINI 信易塑料机械股份有限公司 Shini Plastics Technologies, Inc.		Date		Proofread by		Voltage	
		20170608				3/400V	
Mark		Modify date		Modified by		Frequency	
						50Hz	
1		3		4		8	
5		6		7		8	

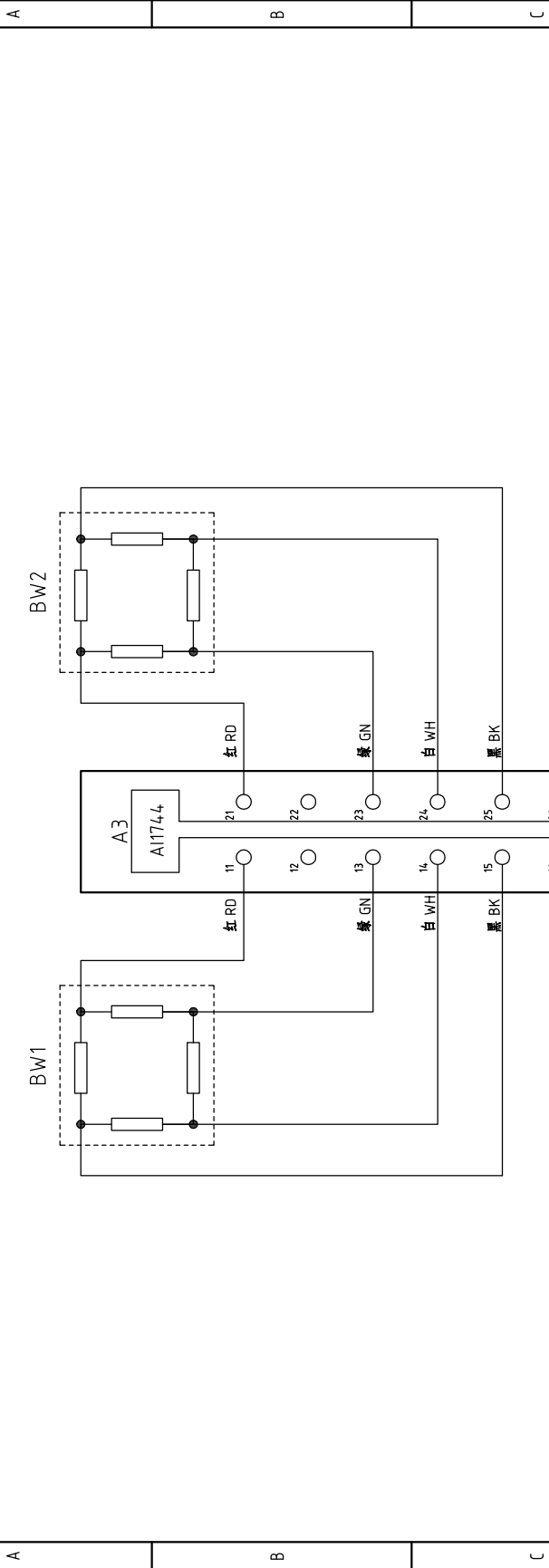


整机版本 Ver.B


Mark	Before modification	After modification	Modified by	Modify date	Checked by	Date	20170608
Designer	Proofread by	Approved by	Version	C	Drawer		
Title			SGB-2000/3000-4 Electrical Diagram 3		Drawing NO. SGB-2000/3000-4-CE-4.00V-C-3		
Scale	Standard	CE	Page	3	Totally	12	Pages
Voltage	Frequency	3/400V					



1 2 3 4 5 6 7 8

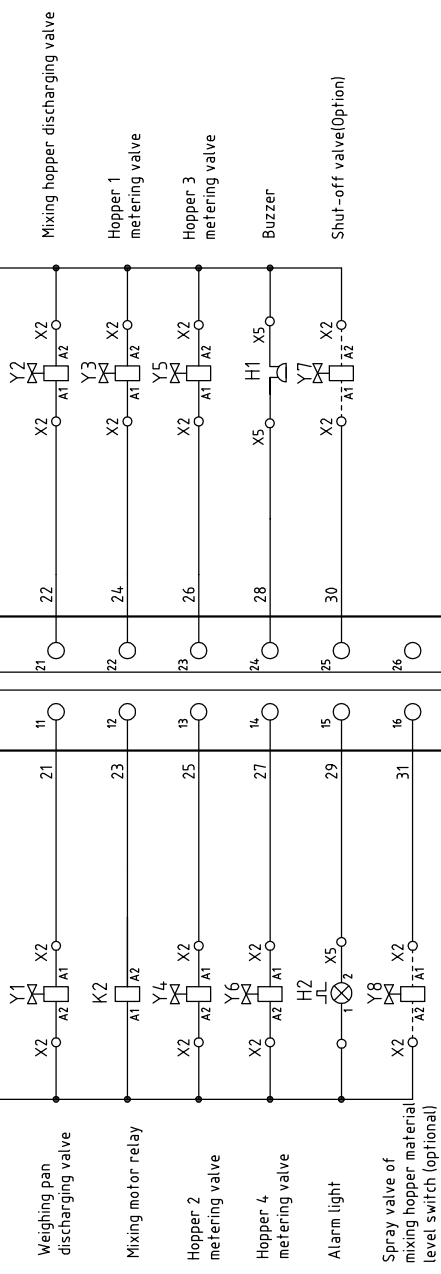
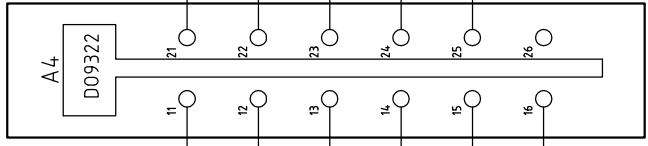


整机版本 Ver.B

Mark	Before modification	Date	20170608	Version	C	Title	Drawing NO.		Page	4
	After modification						Modified by	Standard	CE	Totally
SGB-2000/3000-4 Electrical Diagram 4							SGB-2000/3000-4-CE-4.00V-C-4			
 信易塑料机械股份有限公司 Shini Plastics Technologies, Inc.							Voltage		3/4.00V	
							Frequency		50Hz	

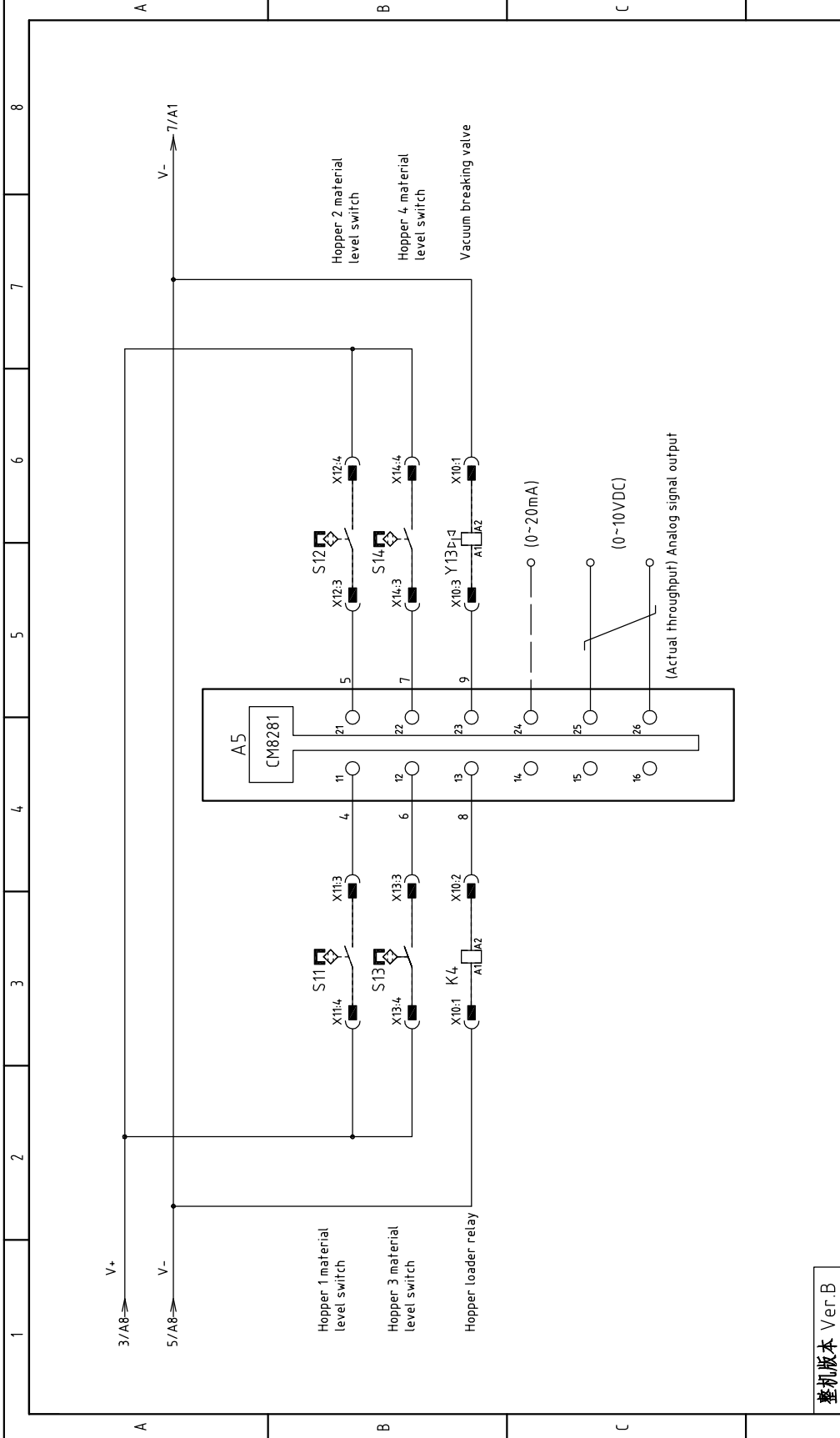
1 2 3 4 5 6 7 8

3/A8 → V- 6/A1



整机版本 Ver.B

Title		Version		Page	
SGB-2000/3000-4 Electrical Diagram 5		C		5	
Drawing NO.		Approved by		Standard	
SGB-2000/3000-4-CE-4.00V-C-5				CE	
SHINI 信易塑料机械股份有限公司 Shini Plastics Technologies, Inc.		Date		Voltage	
20170608		20170608		3/400V	
Mark		Modify date		Frequency	
				50Hz	
1		3		8	
2		4		7	
3		5		6	
4		6		7	
5		7		8	
6		8		9	
7		9		10	
8		10		11	
9		11		12	
10		12		13	
11		13		14	
12		14		15	
13		15		16	
14		16		17	
15		17		18	
16		18		19	
17		19		20	
18		20		21	
19		21		22	
20		22		23	
21		23		24	
22		24		25	
23		25		26	
24		26		27	
25		27		28	
26		28		29	
27		29		30	
28		30		31	
29		31		32	
30		32		33	
31		33		34	
32		34		35	
33		35		36	
34		36		37	
35		37		38	
36		38		39	
37		39		40	
38		40		41	
39		41		42	
40		42		43	
41		43		44	
42		44		45	
43		45		46	
44		46		47	
45		47		48	
46		48		49	
47		49		50	
48		50		51	
49		51		52	
50		52		53	
51		53		54	
52		54		55	
53		55		56	
54		56		57	
55		57		58	
56		58		59	
57		59		60	
58		60		61	
59		61		62	
60		62		63	
61		63		64	
62		64		65	
63		65		66	
64		66		67	
65		67		68	
66		68		69	
67		69		70	
68		70		71	
69		71		72	
70		72		73	
71		73		74	
72		74		75	
73		75		76	
74		76		77	
75		77		78	
76		78		79	
77		79		80	
78		80		81	
79		81		82	
80		82		83	
81		83		84	
82		84		85	
83		85		86	
84		86		87	
85		87		88	
86		88		89	
87		89		90	
88		90		91	
89		91		92	
90		92		93	
91		93		94	
92		94		95	
93		95		96	
94		96		97	
95		97		98	
96		98		99	
97		99		100	



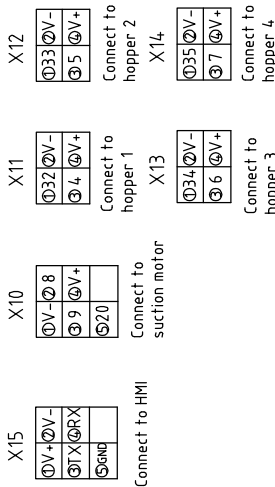
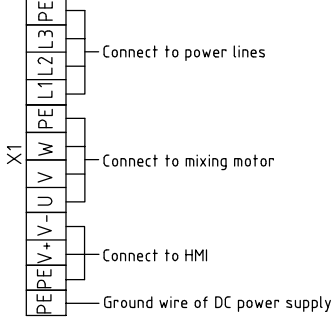
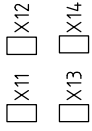
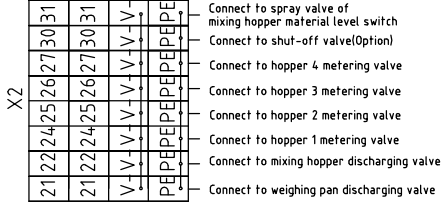
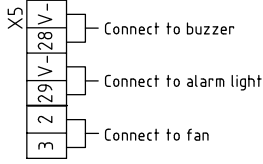
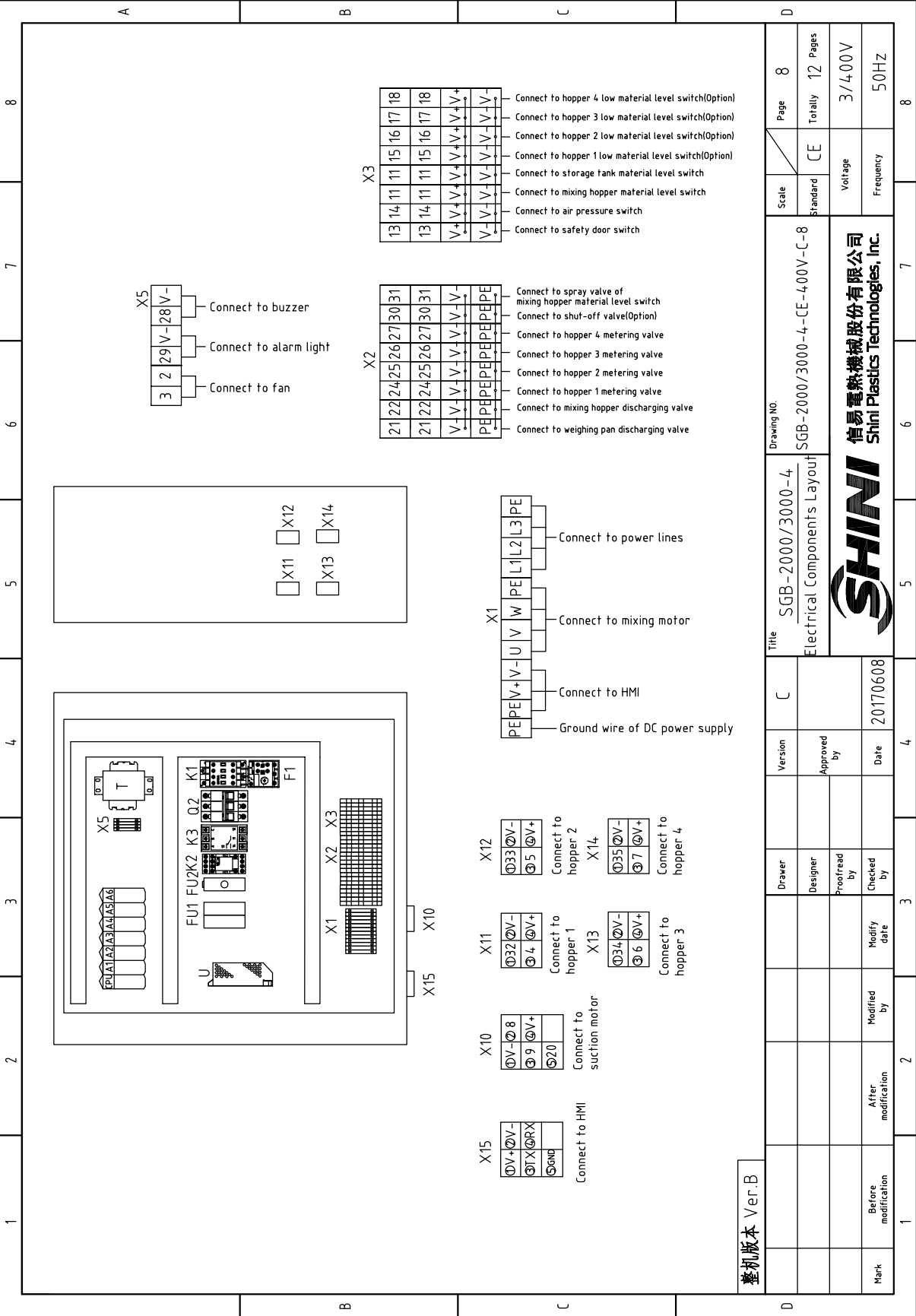
整机版本 Ver.B

Title		SGB-2000/3000-4		Drawing NO.		SGB-2000/3000-4-CE-4.00V-C-6	
Version		C		Scale		Page 6	
Designer		Approved by		Standard		CE	
Proofread by		Date		Voltage		3/400V	
Checked by		20170608		Frequency		50Hz	
Before modification		After modification		Modify date		Totally 12 Pages	
Mark		1		2		3	
		4		5		6	
		7		8			









整机版本 Ver.B

Mark	Before modification	Modified by	Modify date	Checked by	Date	20170608	SHINI 信易塑料机械股份有限公司 Shini Plastics Technologies, Inc.	Title _SGB-2000/3000-4 Electrical Components Layout	Drawing NO. SGB-2000/3000-4-CE-4.00V-C-8	Scale	Page
	Standard	CE	Voltage 3/400V	Frequency 50Hz	Standard					CE	Totally
										Version	C
										Approved by	
										Designer	
										Proofread by	
										Drawer	
										Checked by	
										Modified by	
										Version	4
										Date	20170608
										Checked by	
										Modify date	
										Proofread by	
										Designer	
										Approved by	
										Version	C
										Title	_SGB-2000/3000-4 Electrical Components Layout
										Drawing NO.	SGB-2000/3000-4-CE-4.00V-C-8
										Scale	8
										Page	8
										Totally	12
										Pages	3/400V
										Frequency	50Hz

1	2		3	4	5	6	7	8	
NO.	Symbol	Name	Manufacturer	Type	Specification	Number	Material number	Remark	
1	Q1	Main switch	MOELLER	T0-2-1/EA/SVB	16A	1	YE10021160000		
2	Q2	Circuit breakers	TECO	BM-63C	6A	1	YE40603000000		
3	S2 S3	Capacitive proximity switch	IFM	KI 5082	10~36VDC	2	YE15508200000	(1)	
4	S7-S10	Capacitive proximity switch	IFM	KI 5082	10~36VDC	4	YE15508200000	(1) (2)	
5	S5	Safety switch	SCHMERSRC	AZ152VK-1476	AC-15	1	YE16147600100	(1)	
6	S6	Pressure switch	FOX	K4SA02	1~12KG	1	YE15401000000	(1)	
7	K1	Contactors	SIEMENS	3RT6015-1AN21	230V 50/60Hz	1	YE00601521000		
8	K3	Phase sequence protector	CHAO SHI	ABJ-10W	4.00V	1	YE03103800000		
9	K2	Middle relay	WEIDMULLER	DRM270024LT	24VDC 12A	1	YE03272400000		
10	F1	Overload relays	SIEMENS	3RU6116-1BB0	1.4-2A	1	YE01160140000		
11	FU1	Fuse base	CHINT	RT18-32	2P	1	YE41032200000		
12		Fuse	CHINT	10x38 500V	2A	2	YE46002000100		
13	FU2	Fuse base	YINDA	FS-10	内置250V 2A熔芯	1	YE41001000000		
14	T	Transformer	BAIYUN	IN=4.00V OUT=230V	500mA	1	YE70402300800		
15	U	DC power	MEAN WELL	S-100-24	+24V 4.5A	1	YE71102400000		
16	CPU,A1-A6	Controller	B&R	----	----	1	YE80024000100		
17	HMI	Human-machine interface	SCHNEIDER	GXU3512	24VDC	1	YE80351200100		
18	H1	Buzzer	SHINI	PK-27A	24VDC 50Hz	1	YE84002700000		
19	H2	Indicator	---	LTE-3051	24VDC 50Hz	1	YE83305100300		
20	BW1BW2	Dose transducer	VISHAY	LPS20KG	10VDC 2mV/V	2	----	(1)	
21	X1	Terminal	Honeywell	SK2.5	2.5mm <sup>2</sup>	8	YE60002503200		
22		Terminal	----	GK2.5PE	2.5mm <sup>2</sup> PE	4	YE60002503400		
23	X2	Terminal		SK2.5-TL	250V 2.5	7	YE60002503600		
24	X2	Terminal		SK2.5-TL	250V 2.5	1	YE60002503600	(2)	
25	X3	Terminal		SK2.5-TL	250V 2.5	4	YE60002503600		
整机版本 Ver.B		Note: (1) means not part of control box. (2)stands for optional							
Title				Drawing NO.		Scale		Page	
SGB-2000-4				SGB-2000-4-CE-400V-C-9		CE		9	
Electrical Components List 1						Standard		Voltage	
						CE		3/400V	
								Frequency	
								50Hz	
SHINI				信易塑料机械股份有限公司		Shini Plastics Technologies, Inc.			
Mark				Before modification		Modified by		Modify date	
20170608									
Date				20170608					
Checked by									
Proofread by									
Designer									
Approved by									
Version				C					
Drawer									
Title				SGB-2000-4		SGB-2000-4-CE-400V-C-9		Page	
Electrical Components List 1						CE		9	
								Voltage	
								3/400V	
								Frequency	
								50Hz	

1	2		3	4	5	6	7	8
NO.	Symbol	Name	Manufacturer	Type	Specification	Number	Material number	Remark
26	X3	Terminal		SK2.5-TL	250V 2.5	4	YE60002503600	(2)
27	X5	Terminal	Honeywell	SK2.5	2.5mm <sup>2</sup>	6	YE60002503200	
28	X11-X14	Heavy duty plug-in	SIBAS	HA-004-F	4P 10A	4	YE600000040000	A
29	X10 X15	Heavy duty plug-in	SIBAS	HDC-HQ-005	5P 10A	2	YE680005000000	
30	WS	Communication cable	SHINI	----	1.5M 0.5x5C+ 9pin 母头串口	1	----	自制
31	FM	Cooling fan	----	----	220~230VAC 50/60HZ	1	YM60121200400	(1)
32	M1	Mixing motor	----	0.55kW	400V 50/60HZ	1	----	(1)
33	Y1 Y3-Y6	Solenoid valve	FESTO	----	24VDC	5	----	(1)
34	Y2	Solenoid valve	FESTO	----	24VDC	1	----	(1)
35	Y7-Y8	Solenoid valve	FESTO	----	24VDC	2	----	(1)(2)
36		Power cable	----	----	2.5mm <sup>2</sup> x4C	4M	BE512504.004.50	(1)
37		Motor cable	----	----	1.5mm <sup>2</sup> x4C	1.5M	YE501504.000000	(1)
38	WS1	Ethernet line	----	----	----	1.0M	YE90000101600	
		Ethernet connector	----	RJ45F71	----	1	YE64457100000	
A								
B								
C								
D								
整机版本 Ver.B Note: (1) means not part of control box. (2)stands for optional								
			Version	C	Title	Drawing NO.		Page
			Designer		SGB-2000-4	SGB-2000-4-CE-4.00V-C-10		10
			Proofread by	Approved by	Electrical Components List 2		Standard	Totally
			Checked by	Date			Voltage	12
			Modified by	20170608			Frequency	Pages
			Modify date				3/4.00V	
			Before modification				50Hz	
			After modification					
			3	4	5	6	7	8



1	2		3	4	5	6	7	8
NO.	Symbol	Name	Manufacturer	Type	Specification	Number	Material number	Remark
1	Q1	Main switch	MOELLER	T0-2-1/EA/SVB	16A	1	YE10021160000	
2	Q2	Circuit breakers	TECO	BM-63C	6A	1	YE40603000000	
3	S2 S3	Capacitive proximity switch	IFM	KI 5082	10~36VDC	2	YE15508200000	(1)
4	S7-S10	Capacitive proximity switch	IFM	KI 5082	10~36VDC	4	YE15508200000	(1) (2)
5	S5	Safety switch	SCHMERSRC	AZ152VK-1476	AC-15	1	YE16147600100	(1)
6	S6	Pressure switch	FOX	K4SA02	1~12KG	1	YE15401000000	(1)
7	K1	Contactors	SIEMENS	3RT6015-1AN21	230V 50/60Hz	1	YE00601521000	
8	K3	Phase sequence protector	CHAO SHI	ABJ-10W	4.00V	1	YE03103800000	
9	K2	Middle relay	WEIDMULLER	DRM270024LT	24VDC 12A	1	YE03272400000	
10	F1	Overload relays	SIEMENS	3RU6116-1DB0	2.3-3.2A	1	YE01160220000	
11	FU1	Fuse base	CHINT	RT18-32	2P	1	YE41032200000	B
12		Fuse	CHINT	10x38 500V	2A	2	YE46002000100	
13	FU2	Fuse base	YINDA	FS-10	内置250V 2A熔芯	1	YE41001000000	
14	T	Transformer	BAIYUN	IN=4.00V OUT=230V	500mA	1	YE70402300800	
15	U	DC power	MEAN WELL	S-100-24	+24V 4.5A	1	YE71102400000	
16	CPU,A1-A6	Controller	B&R	----	----	1	YE80024000100	
17	HMI	Human-machine interface	SCHNEIDER	GXU3512	24VDC	1	YE80351200100	
18	H1	Buzzer	SHINI	PK-27A	24VDC 50Hz	1	YE84002700000	
19	H2	Indicator	---	LTE-3051	24VDC 50Hz	1	YE83305100300	
20	BW1BW2	Dose transducer	VISHAY	LPS50KG	10VDC 2mV/V	2	----	(1)
21	X1	Terminal	Honeywell	SK2.5	2.5mm <sup>2</sup>	8	YE60002503200	
22		Terminal	----	GK2.5PE	2.5mm <sup>2</sup> PE	4	YE60002503400	
23	X2	Terminal		SK2.5-TL	250V 2.5	7	YE60002503600	
24	X2	Terminal		SK2.5-TL	250V 2.5	1	YE60002503600	(2)
25	X3	Terminal		SK2.5-TL	250V 2.5	4	YE60002503600	
整机版本 Ver.B Note: (1) means not part of control box. (2)stands for optional								
Title				SGB-3000-4		Drawing NO.		Page
Electrical Components List 1				SGB-3000-4-CE-400V-C-11		Scale		11
SHINI				SHINI		Standard		CE
SHINI SHINI Plastics Technologies, Inc.				SHINI SHINI Plastics Technologies, Inc.		Voltage		3/400V
SHINI SHINI Plastics Technologies, Inc.				SHINI SHINI Plastics Technologies, Inc.		Frequency		50Hz
Mark			Before modification	Modified by	Modify date	Checked by	Date	20170608
Mark			After modification	Modified by	Modify date	Checked by	Date	20170608
Mark			Proofread by	Approved by	Version	C	Title	SGB-3000-4
Mark			Designer	Version	C	Title	SGB-3000-4	Electrical Components List 1
Mark			Drawer	Version	C	Title	SGB-3000-4	Electrical Components List 1
Mark			Totality	CE	Voltage	3/400V	Frequency	50Hz
Mark			Page	11	Totality	12	Pages	3/400V
Mark			Page	11	Totality	12	Pages	3/400V

