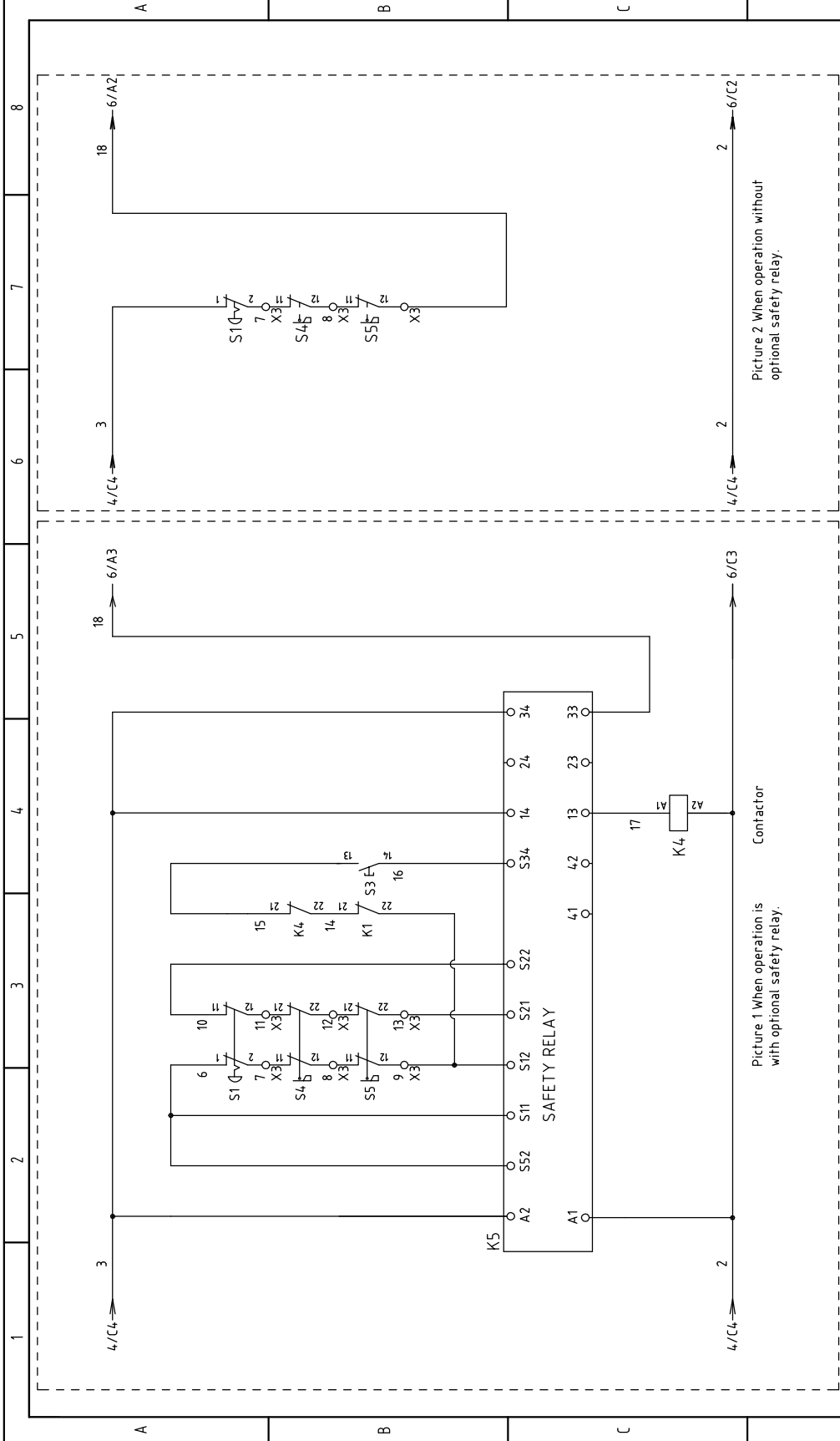


(When operation B/C1 is with optional safety relay) 5/A1 5/A6

Mode	Symbol	Ver.	ⓐ	ⓑ	ⓒ	ⓓ	ⓔ	ⓕ	ⓖ	ⓗ
SG-3675E	Ver.B	96	25.0	200	4.5-6.3	55.4	16.0	30	96	
SG-3650E	Ver.B	58.1	16.0	125	30-36	33.5	10.0	18.5	58.1	
SG-3060E	Ver.C	47.1	16.0	100	23-28	27	6.0	15	47.1	

Title		SG-3060E/36E		Drawing NO.		Scale		Page 4	
Main Circuit Diagram		SG-23E/30E/36E-CE-230V-E-4		Standard		CE		Totally 21 Pages	
Version		E		Approved by		Voltage		230V	
Designer		Date		20170523		Frequency		50Hz	
Before modification		After modification		Modify Date		Checked by		Mark	



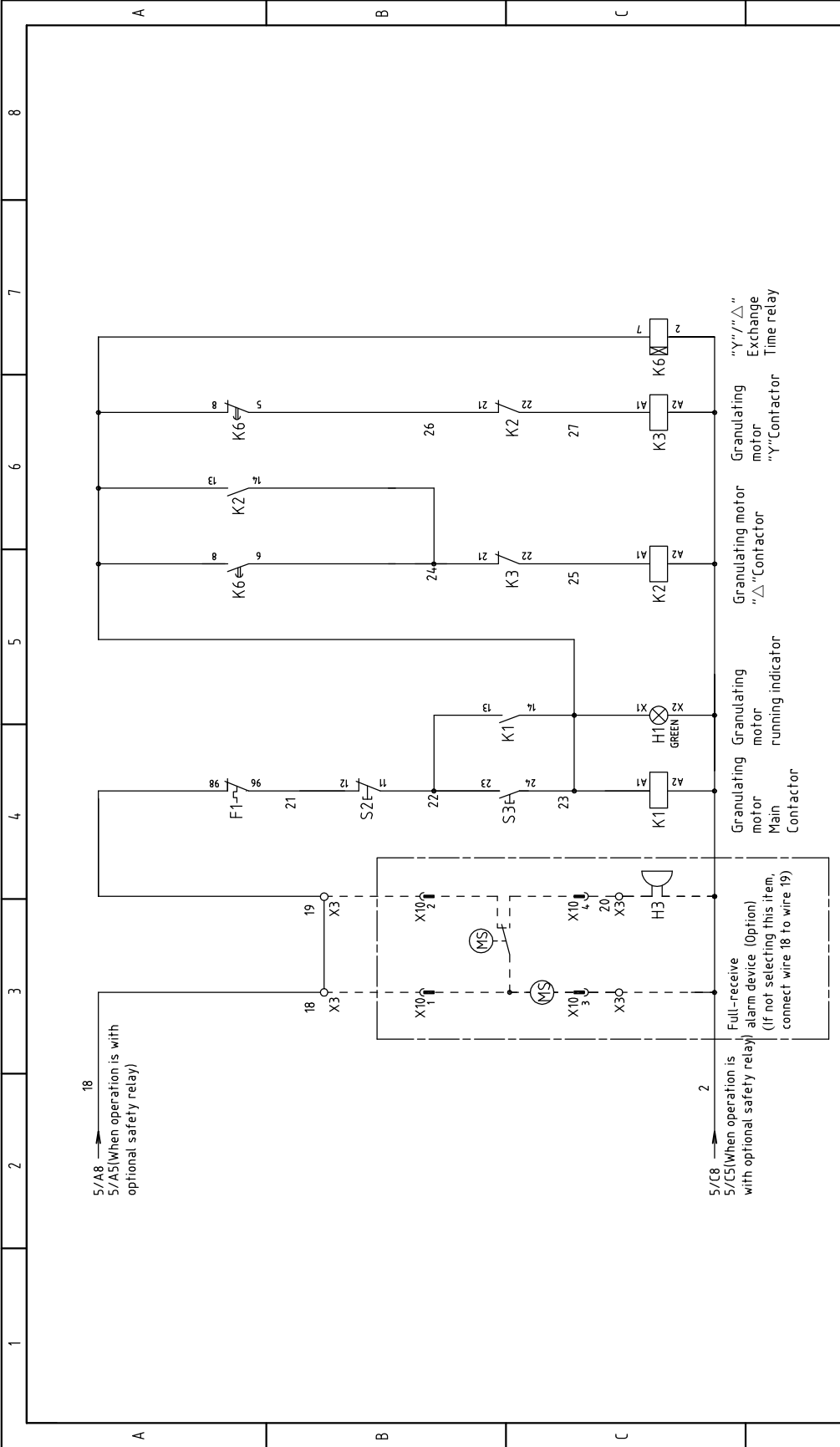


Picture 1 When operation is with optional safety relay.

Picture 2 When operation without optional safety relay.

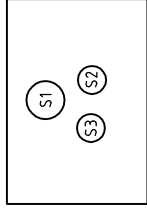
Mark		Before modification	After modification	Modified by	Modify date	Checked by	Date	20170523
Designer		Approved by						
Drawer		Version						
Title		SG-3060E/36E		E				
Drawing NO.		SG-23E/30E/36E-CE-230V-E-5						
Scale	Page	Standard	CE	Voltage		230V		
Standard	Totally	CE		Frequency		50HZ		
5	21	Pages		8				



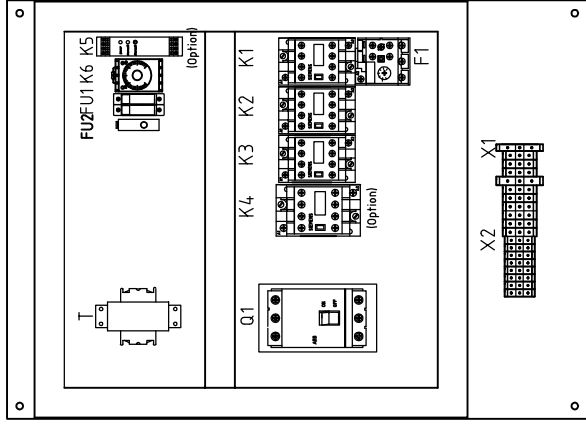


Title		Version		E		Drawing NO.	
SG-3060E/36E						SG-23E/30E/36E-CE-230V-E-6	
Control Circuit Diagram 2						Standard	
						Voltage	
						Frequency	
						230V	
						50HZ	
						Page 6	
						Totally 21 Pages	
SHINI 信易電機機械股份有限公司 Shini Plastics Technologies, Inc.		Approved by		Date		20170523	
Mark		Before modification		After modification		1	
Modified by		Modify date		Checked by		3	
Proofread by		Designer		Drawer		4	
Full-receive alarm device (Option) (If not selecting this item, connect wire 18 to wire 19)		Granulating motor running indicator		Granulating motor Main Contactor		Granulating motor "Δ" Contactor	
Granulating motor "Y"/"Δ" Exchange Time relay		Granulating motor "Y" Contactor		Granulating motor "Δ" Contactor		Granulating motor "Y"/"Δ" Exchange Time relay	
5/C8 (When operation is with optional safety relay)		5/A8 (When operation is with optional safety relay)		18		2	

1 2 3 4 5 6 7 8

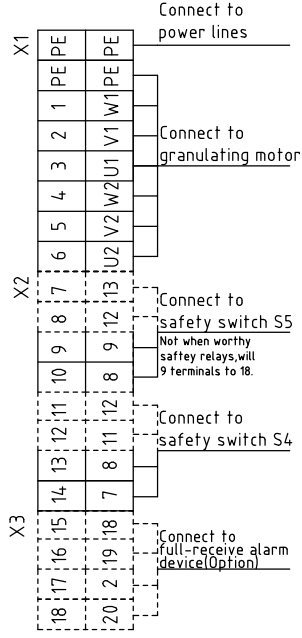
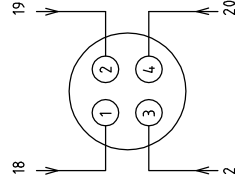


Panel



SG-36E

Connection diagram of X10 metal connectors (option)



Title		SG-36E		Drawing No.		Scale	Page	9
Electrical Components Layout		SG-23E/30E/36E-CE-230V-E-S		Standard		CE	Totally	21 Pages
Voltage		230V		Frequency		50Hz		
Version	E	Approved by	Date		20170523			
Drawer		Designer	Proofread by	Checked by	Modified by	Modify date	Before modification	After modification
Mark								



1 2 3 4 5 6 7 8

1		2		3		4		5		6		7		8																																																																																									
NO.	Symbol	Name	Manufacturer	Type	Specification	Number	Material number	Remark																																																																																															
1	Q1	Breaker interlock	ABB	A1A125TMF125/12503PFF	125A	1	YE41161400000																																																																																																
2	K1 K2	Contactor	SIEMENS	3RT6028-1AC20	24 VAC	2	YE00602802600																																																																																																
3	K3	Contactor	SIEMENS	3RT6027-1AC20	24 VAC	1	YE00602702600																																																																																																
4	K4	Contactor	SIEMENS	3RT5044-1AC20	24 VAC	1	YE00504402600	(3)																																																																																															
5		Auxiliary contactor	SIEMENS	3RH5921-1CA01	1NC	1	YE00592110100	(3)																																																																																															
6	K5	Safety relay	PILZ	PNQZx2.8P	24 V AC/DC	1	YE04023000000	(3)																																																																																															
7	K6	Timer relay	YUYUN	TH3A-NAB	24 VAC	1	YE86602400300																																																																																																
8	F1	Overload relay	SIEMENS	3RU6126-4PB0	30-36A	1	YE01612630000																																																																																																
9	FU1	Fuse	CHNT	RT18-32	2P	1	YE41032200000																																																																																																
10		Fuse core	CHNT	10x38 500V 2A	2A	2	YE46002000100																																																																																																
11	FU2	Fuse	YINDA	FS-10	-----	1	YE41001000000																																																																																																
12		Glass tube	-----	6x30	5A	1	YE46630500100																																																																																																
13	T	Transformer	BAIYUN	IN=230V/OUT= 24V	120VA	1	YE70023005500																																																																																																
14	X1	Terminal	Honeywell	16mm ² PE	-----	1	YE60001603500																																																																																																
15			Honeywell	10.0mm ²	-----	6	YE60001003200																																																																																																
16			Honeywell	10.0mm ² PE	-----	1	YE60001003500																																																																																																
17	X2	Terminal	Honeywell	2.5mm ²	-----	4	YE60002503200																																																																																																
18			Honeywell	2.5mm ²	-----	4	YE60002503200	(3)																																																																																															
19	X3	Terminal	Honeywell	2.5mm ²	-----	4	YE60002503200	(2)																																																																																															
20	S1	Emergency stop button	SCHNEIDER	XB2BS542C	400VAC	1	YE11254200000	(1)																																																																																															
21		Contact block	SCHNEIDER	ZB2BE102C	1NC	1	YE00210203100	(1)(3)																																																																																															
22	S2	Stop button	SCHNEIDER	XB2BA22C	400VAC	1	YE11222000000	(1)																																																																																															
23	S3,H1	Start button	SCHNEIDER	XB2BW33B1C	24-VAC	1	YE11233100000	(1)																																																																																															
24		Contact block	SCHNEIDER	ZB2BE101C	1NO	1	YE00210103100	(1)(3)																																																																																															
25	S4,S5	Safety switch	SCHMERSRC	AZ15-02ZVRK-14.76	AZ-15	2	YE16147600100	(1)																																																																																															
机型版本: Ver.B Notes: (1)Means it's not the material inside the control box.(2)Means optional accessories of full-receive alarm device.(3)Stand for optional safety relay.																																																																																																							
<table border="1"> <tr> <td colspan="2">Title</td> <td colspan="2">Drawing NO.</td> <td colspan="2">Scale</td> <td colspan="2">Page</td> </tr> <tr> <td colspan="2">SG-3650E</td> <td colspan="2">SG-23E/30E/36E-CE-230V-E-18</td> <td colspan="2">Standard</td> <td colspan="2">CE</td> </tr> <tr> <td colspan="2">Electrical Components List 1</td> <td colspan="2"></td> <td colspan="2">Voltage</td> <td colspan="2">230V</td> </tr> <tr> <td colspan="2"></td> <td colspan="2"></td> <td colspan="2">Frequency</td> <td colspan="2">50HZ</td> </tr> <tr> <td colspan="2">SHINI</td> <td colspan="2">信易塑料机械股份有限公司</td> <td colspan="2">Shini Plastics Technologies, Inc.</td> <td colspan="2"></td> </tr> <tr> <td colspan="2">Version</td> <td colspan="2">E</td> <td colspan="2">Standard</td> <td colspan="2">Page 18</td> </tr> <tr> <td colspan="2">Designer</td> <td colspan="2">Approved by</td> <td colspan="2">Standard</td> <td colspan="2">Totally 21 Pages</td> </tr> <tr> <td colspan="2">Proofread by</td> <td colspan="2">Date</td> <td colspan="2">Voltage</td> <td colspan="2">230V</td> </tr> <tr> <td colspan="2">Checked by</td> <td colspan="2">Date</td> <td colspan="2">Frequency</td> <td colspan="2">50HZ</td> </tr> <tr> <td colspan="2">Modified by</td> <td colspan="2">Date</td> <td colspan="2">Voltage</td> <td colspan="2">230V</td> </tr> <tr> <td colspan="2">Before modification</td> <td colspan="2">Date</td> <td colspan="2">Frequency</td> <td colspan="2">50HZ</td> </tr> </table>																Title		Drawing NO.		Scale		Page		SG-3650E		SG-23E/30E/36E-CE-230V-E-18		Standard		CE		Electrical Components List 1				Voltage		230V						Frequency		50HZ		SHINI		信易塑料机械股份有限公司		Shini Plastics Technologies, Inc.				Version		E		Standard		Page 18		Designer		Approved by		Standard		Totally 21 Pages		Proofread by		Date		Voltage		230V		Checked by		Date		Frequency		50HZ		Modified by		Date		Voltage		230V		Before modification		Date		Frequency		50HZ	
Title		Drawing NO.		Scale		Page																																																																																																	
SG-3650E		SG-23E/30E/36E-CE-230V-E-18		Standard		CE																																																																																																	
Electrical Components List 1				Voltage		230V																																																																																																	
				Frequency		50HZ																																																																																																	
SHINI		信易塑料机械股份有限公司		Shini Plastics Technologies, Inc.																																																																																																			
Version		E		Standard		Page 18																																																																																																	
Designer		Approved by		Standard		Totally 21 Pages																																																																																																	
Proofread by		Date		Voltage		230V																																																																																																	
Checked by		Date		Frequency		50HZ																																																																																																	
Modified by		Date		Voltage		230V																																																																																																	
Before modification		Date		Frequency		50HZ																																																																																																	

1		2		3		4		5		6		7		8	
No.	Symbol	Name	Manufacturer	Type	Specification	Number	Material number	Remark							
26	S4_S5	Safety switch	SCHMERSRC	AZ16-02ZVRK-1476	AZ-16	2	YE16147600000	(1)(3)							
27	H3	Buzzer	TEND	EA-2	24VAC	1	YE84240200000	(1)(2)							
28	MS	Material level sensor	SIPAI	SR-80	24VAC	1	YE15802400100	(1)(2)							
29	X10	Metal joint	APEX	PLT-254-PM	4P	1	YE68025400000	(1)(2)							
30			APEX	PLT-254-RF	4P	1	YE68025400100	(1)(2)							
31	M1	Granulating motor	-----	18.5kW	230V 50Hz	1	-----	(1)							
A															
B															
C															
D															

机型版本: Ver.B Notes: (1)Means it's not the material inside the control box.(2)Means optional accessories of full-receive alarm device.(3)Stand for optional safety relay.

1		2		3		4		5		6		7		8	
Mark	Before modification	After modification	Modified by	Modify date	Checked by	Designer	Drawer	Version	E	Title	SG-3650E	Scale	Page	19	8
								Approved by		Electrical Components List 2		Standard	Totally	21	Pages
								Date		SG-23E/30E/36E-CE-230V-E-19		Voltage	230V		
								20170523		SHINI		Frequency	50Hz		
										信易塑料机械股份有限公司 Shini Plastics Technologies, Inc.					

1	2		3	4	5	6	7	8
NO.	Symbol	Name	Manufacturer	Type	Specification	Number	Material number	Remark
1	Q1	Breaker interlock	ABB	AZB250TMF200/20003PFF	200A	1	YE41252200000	
2	K1 K2	Contact	SIEMENS	3RT5044-1AC20	24VAC	2	YE00504402600	
3	K3	Contact	SIEMENS	3RT5036-1AC20	24VAC	1	YE00503602600	A
4	K4	Contact	SIEMENS	3RT5054-1AP36	24VAC	1	YE00505400900	(3)
5		Auxiliary contact	SIEMENS	3RH5921-1CA10	1NO	2	YE00592110000	
6		Auxiliary contact	SIEMENS	3RH5921-1CA01	1NC	2	YE00592110100	
7		Auxiliary contact	SIEMENS	3RH5921-1CA01	1NC	1	YE00592110100	(3)
8	K5	Safety relay	PILZ	PNQZx2.8P	24V AC/DC	1	YE04023000000	(3)
9	K6	Timer relay	YUYUN	TH3A-NAB	24VAC	1	YE86602400300	
10	F1	Overload relay	SIEMENS	3RU5146-4JB0	45-63A	1	YE01514640000	
11	FU1	Fuse	CHNT	RT18-32	2P	1	YE41032200000	B
12		Fuse core	CHNT	10x38 500V 2A	2A	2	YE46002000100	
13	FU2	Fuse	YINDA	FS-10	-----	1	YE41001000000	
14		Glass tube	-----	6x30	5A	1	YE46630500100	
15	X1	Terminal	Honeywell	35mm ² PE	-----	1	YE60003503500	
16			Honeywell	16mm ²	-----	6	YE60001603200	
17			Honeywell	16mm ² PE	-----	1	YE60001603500	
18	X2	Terminal	Honeywell	2.5mm ²	-----	4	YE60002503200	
19			Honeywell	2.5mm ²	-----	4	YE60002503200	(3)
20	X3	Terminal	Honeywell	2.5mm ²	-----	4	YE60002503200	(2)
21	S1	Emergency stop button	SCHNEIDER	XB2BS542C	400VAC	1	YE11254200000	(1)
22		Contact block	SCHNEIDER	ZB2BE102C	1NC	1	YE00210203100	(1)(3)
23	S2	Stop button	SCHNEIDER	XB2BA22C	400VAC	1	YE11222000000	(1)
24	S3,H1	Start button	SCHNEIDER	XB2BW33B1C	24VAC	1	YE11233100000	(1)
25		Contact block	SCHNEIDER	ZB2BE101C	1NO	1	YE00210103100	(1)(3)
机型版本: Ver.B Notes: (1)Means it's not the material inside the control box.(2)Means optional accessories of full-receive alarm device.(3)Stand for optional safety relay.								
				Drawer	Version	E	Title	Drawing NO.
				Designer	Approved by		SG-3675E	SG-23E/30E/36E-CE-230V-E-20
				Proofread by			Electrical Components List 1	
				Checked by	Date	20170523		
				Modified by	Modify date			
				Before modification				
				After modification				
				Scale	Standard	CE	Voltage	230V
				Page	Totally	21	Frequency	50HZ
				Page	Totally	20		



1		2		3		4		5		6		7		8	
No.	Symbol	Name	Manufacturer	Type	Specification	Number	Material number	Remark							
26	T	Transformer	BAIYUN	IN=230V/OUT=24V	230VA	1	YE70023005700								
27	S4,S5	Safety switch	SCHMERSRC	AZ15-02ZVRK-1476	AZ-15	2	YE16147600100	(1)							
28	S4,S5	Safety switch	SCHMERSRC	AZ16-02ZVRK-1476	AZ-16	2	YE16147600000	(1)(3)							
29	H3	Buzzer	TEND	EA-2	24VAC	1	YE84240200000	(1)(2)							
30	MS	Material level sensor	SIPAI	SR-80	24VAC	1	YE15802400100	(1)(2)							
31	X10	Metal joint	APEX	PLT-254-PM	4P	1	YE68025400000	(1)(2)							
32			APEX	PLT-254-RF	4P	1	YE68025400100	(1)(2)							
33	M1	Granulating motor	-----	30kW	230V 50Hz	1	-----	(1)							
A															
B															
C															
D															

机型版本: Ver.B Notes: (1)Means it's not the material inside the control box.(2)Means optional accessories of full-receive alarm device.(3)Stand for optional safety relay.

1		2		3		4		5		6		7		8	
Mark	Before modification	After modification	Modified by	Modify date	Checked by	Proofread by	Designer	Drawer	Version	E	Title	Scale	Page	Totally	Pages
											SG-3675E Electrical Components List 2	CE	21	21	230V 50HZ
												SHINI 信易塑料机械股份有限公司 Shini Plastics Technologies, Inc.			