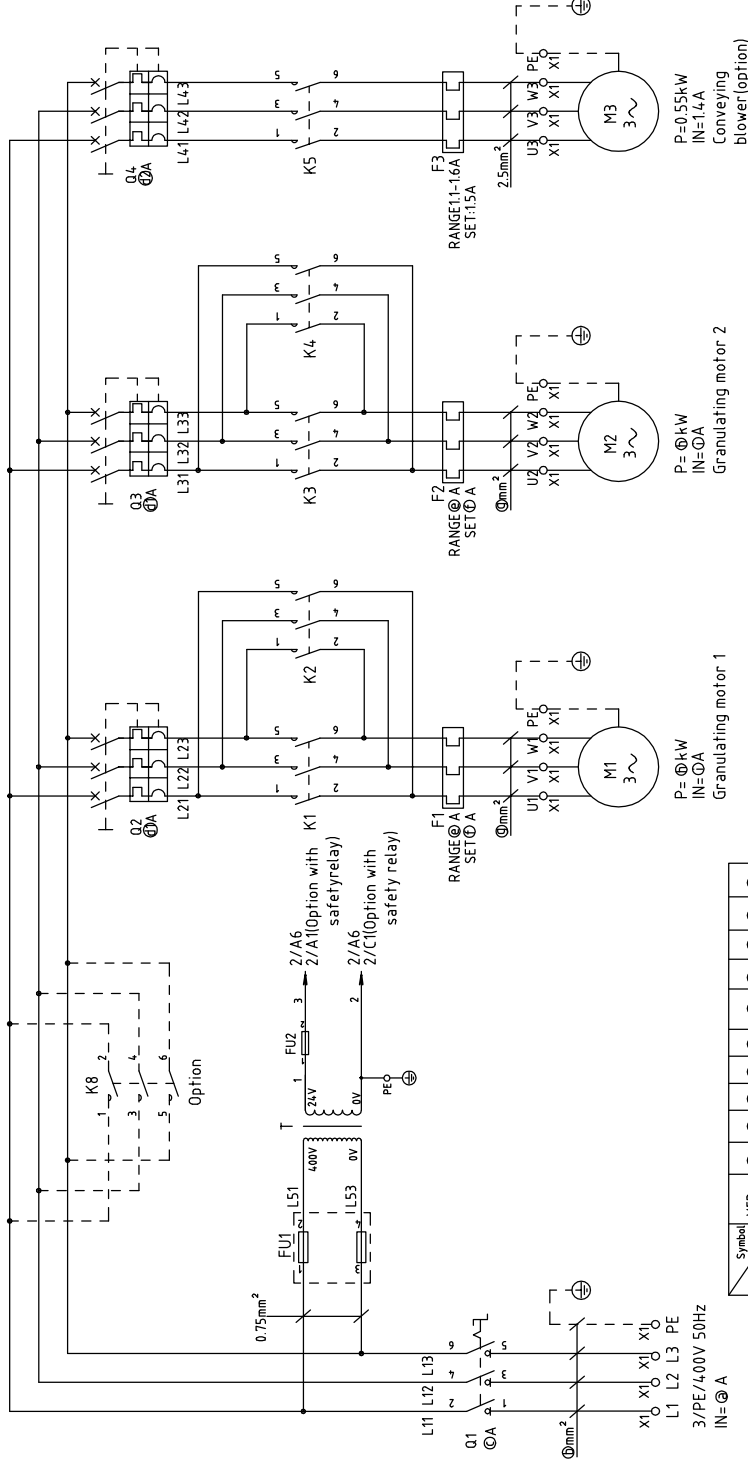


1 2 3 4 5 6 7 8



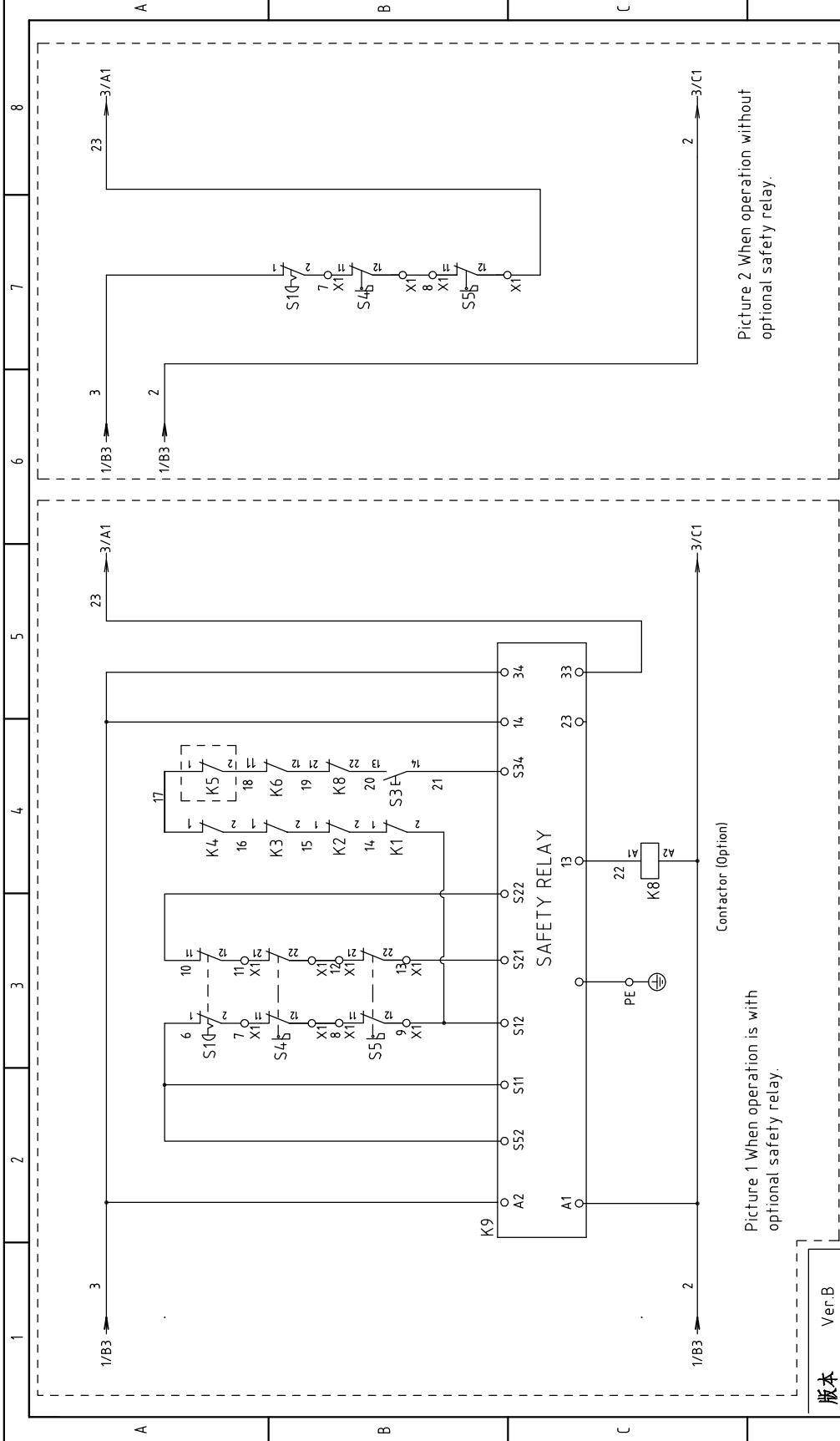
Symbol	VER.	①	②	③	④	⑤	⑥	⑦	⑧	⑨	⑩
Node											
SG-2436T	VERB	11	2.5	16	10	6	4.5-6.32	4.8	2.5	2.2	4.8
SG-2446T	VERB	11	2.5	16	10	6	4.5-6.32	4.8	2.5	2.2	4.8

概本 Ver.B

Version		D		Title		Drawing NO.		Scale		Page	
Version		D		SG-2436T/2446T	SG-2436T/2446T-CE-4.00V-D-1	Standard	CE	Page 1	Totally 6	Pages	
Approved by				Main Circuit Diagram				Voltage	4.00V		
Proofread by								Frequency	50HZ		
Checked by											
Modified by											
Modify date											
Mark	Before modification	After modification	Date	20170420							



1 2 3 4 5 6 7 8

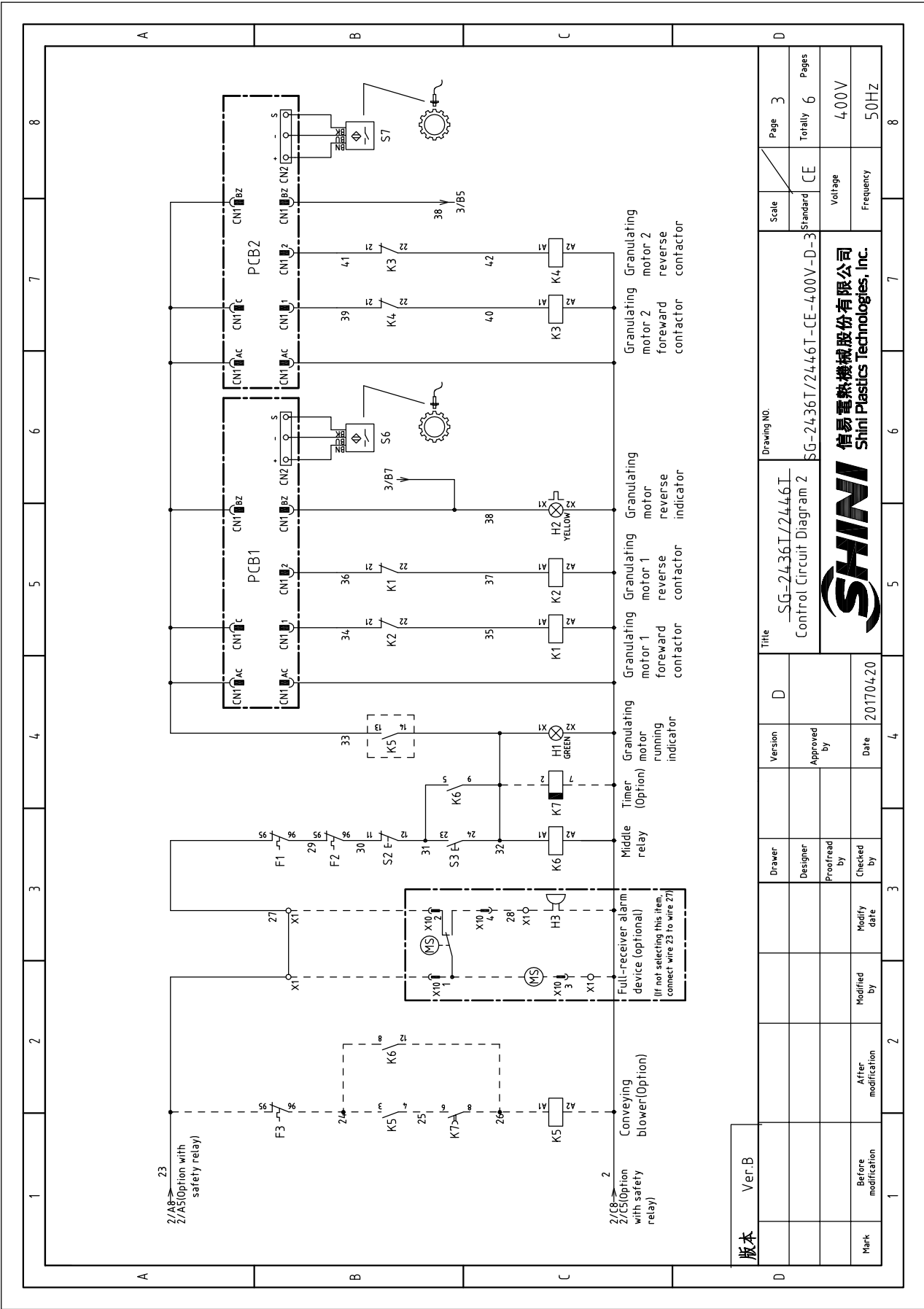


Picture 1 When operation is with optional safety relay.

Picture 2 When operation without optional safety relay.

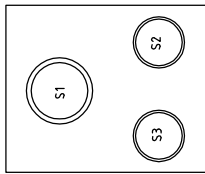
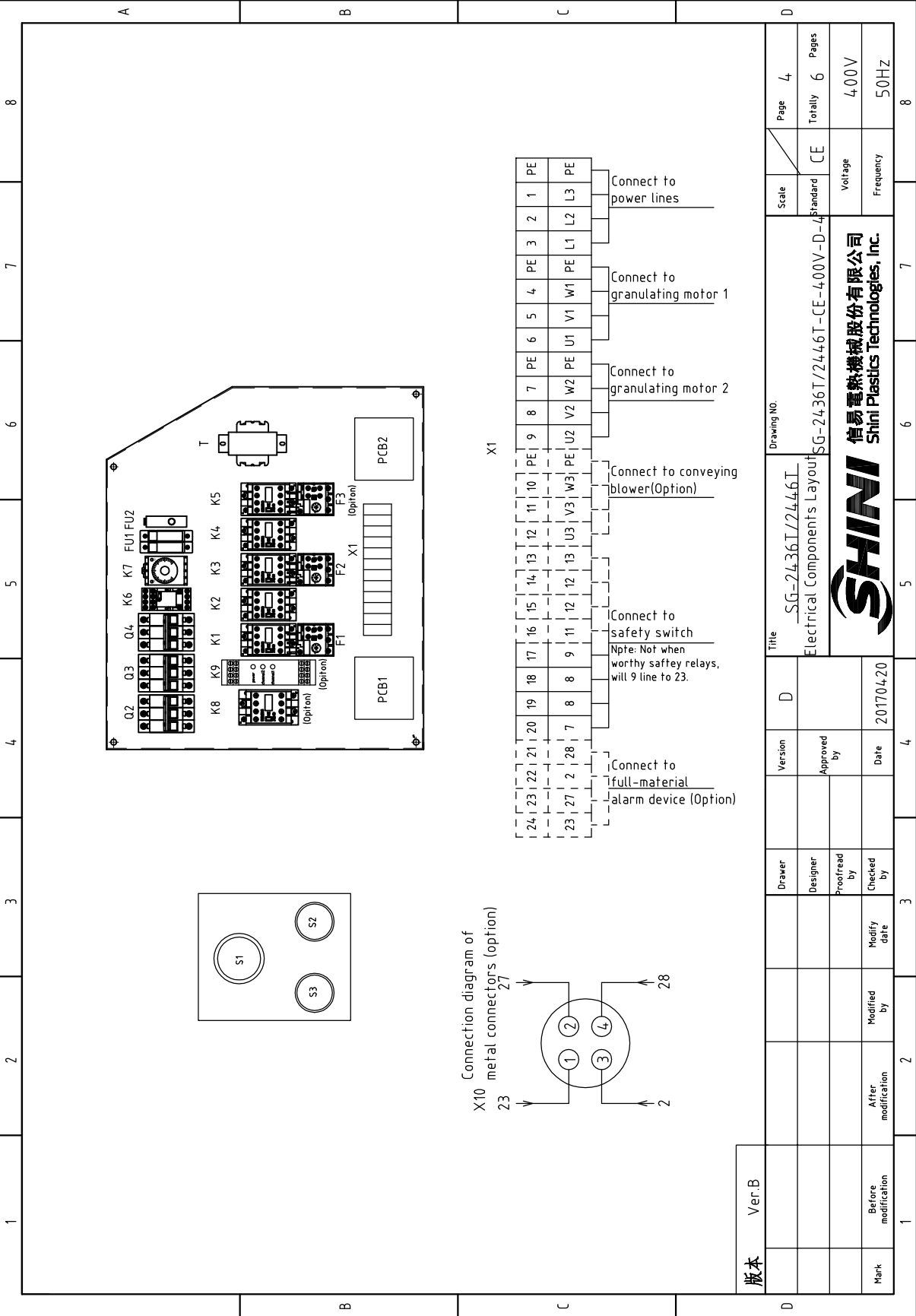
版本	Ver.B
Mark	Before modification
	Modified by
	Modify date
	Checked by
	Proofread by
	Designer
	Drawer
	Approved by
	Date

Drawing NO.		Scale	Page
SG-2436T/2446T		Standard	2
Control Circuit Diagram 1		Standard	6
SG-2436T/2446T-CE-400V-D		Voltage	400V
SHINI 信易電熱機械股份有限公司 Shini Plastics Technologies, Inc.		Frequency	50Hz
Title		Totally	6
SG-2436T/2446T		Pages	6
Control Circuit Diagram 1		CE	

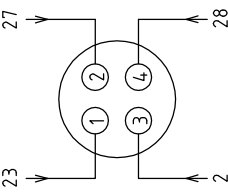


Drawing NO.		Scale		Page	
SG-24.36T/244.6T		Standard		3	
Control Circuit Diagram 2		CE		Totally 6	
Voltage		400V		Pages	
Frequency		50HZ		8	
Title		Version		D	
SG-24.36T/244.6T		Approved by		Date	
Control Circuit Diagram 2		20170420			
Designer		Proofread by		Checked by	
Mark		Modified by		Modify date	
Before modification		After modification			
Ver. B					

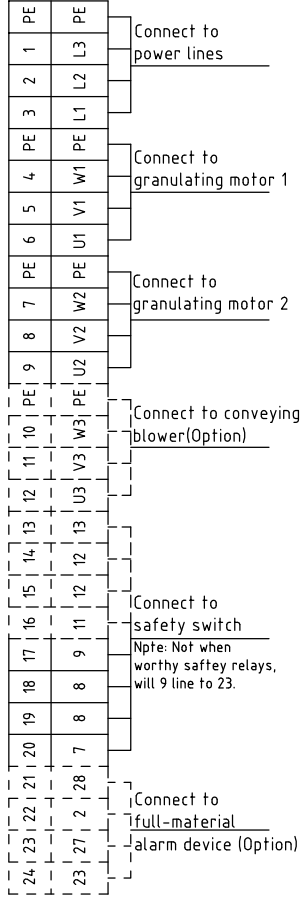
SHINI
 信易塑料机械股份有限公司
 Shini Plastics Technologies, Inc.



Connection diagram of X10 metal connectors (option)



X1



版本 Ver.B

Mark	Before modification	After modification	Modified by	Modify date	Checked by	Date	20170420	Proofread by	Approved by	Version	D	Title	Drawing NO.		Scale	Page
																Standard
Electrical Components Layout													CE	Totally	6	
SG-2436T/2446T														Voltage	400V	
SG-2436T/2446T-CE-400V-D-4														Frequency	50HZ	
SHINI 信易塑料机械股份有限公司 Shini Plastics Technologies, Inc.																

1	2		3	4	5	6	7	8	
NO.	Symbol	Name	Manufacturer	Type	Specification	Number	Material number	Remark	
1	Q1	Main power switch	MOELLER	TO-2-1/EA/SVB	16A	1	YE1002160000	(1)	
2	Q2 Q3	Circuit breakers	TECO	BM-63C/3P	10A	2	YE40301003000		
3	Q4	Circuit breakers	TECO	BM-63C/3P	6A	1	YE40300603000	(2)	
4	K1 K2 K3 K4	Contactors	SIEMENS	3RT6016-1AB02	24VAC 50/60Hz	4	YE00601602600		
5		Auxiliary contact terminal	SIEMENS	3RH6911-1HA11	1NC+1NO	4	YE00691100100	(4)	
6	K5	Contactors	SIEMENS	3RT6016-1AB01	24VAC 50/60Hz	1	YE00601602500	(2)	
7		Auxiliary contact terminal	SIEMENS	3RH6911-1HA11	1NC+1NO	1	YE00691100100	(2)	
8	K6	Middle relay	HoneyWell	GR-4C-AC24V	24VAC	1	YE03042400300		
9	K7	Timer relay	YUYUN	TRF-N	24VAC	1	YE86032400000	(2)	
10	K8	Contactor	SIEMENS	3RT6018-1AB02	24VAC 50/60Hz	1	YE00601802600	(4)	
11	K9	Safety relay	PILZ	PN0Z X2.8P	24VAC/DC	1	YE04023000000	(4)	
12	F1 F2	Overload relay	SIEMENS	3RU6116-1GB0	4.5-6.32A	2	YE01160450000		
13	F3	Overload relay	SIEMENS	3RU6116-1AB0	1.1-1.6A	1	YE01160110000	(2)	
14	FU1	Fuse	CHNT	RT18-32	2P	1	YE41032200000		
15		Fuse core	CHNT	10x38 500V	2A (Fuse core)	2	YE46002000100		
16	FU2	Fuse	YINDA	FS-10	----	1	YE41001000000		
17		Glass tube	----	----	5A	1	YE46630500100		
18	T	Transformer	BAIYUN	IN=400V OUT=24V	120VA	1	YE70402400700		
19	PCB1PCB2	PCB	YUYUN	AC-01	24VAC	2	YE80012400600		
20	X1	Terminal board	HoneyWell	2.5mm ²	32A	13	YE60002503200		
21				2.5mm ² PE		3	YE60002503400		
22		Terminal board	HoneyWell	2.5mm ²	32A	3	YE60002503200	(2)	
23				2.5mm ² PE		1	YE60002503400	(2)	
24		Terminal board	HoneyWell	2.5mm ²	32A	4	YE60002503200	(3)	
25				2.5mm ²	----	4	YE60002503200	(4)	
版本 Ver.B Notes: (1) Means not part of control box. (2) Means accessories for material conveying blower.									
				SHINI 信易塑料机械股份有限公司 Shini Plastics Technologies, Inc.		Drawing NO. SG-2436T/2446T Electrical Components List 1		Scale Standard CE	Page 5 Totality 6 Pages
Mark	Before modification	After modification	Modified by	Modify date	Checked by	Date	20170420	Voltage 4.00V	Frequency 50Hz

1	2		3	4	5	6	7	8
NO.	Symbol	Name	Manufacturer	Type	Specification	Number	Material number	Remark
26	X10	Metal joint	SHINI	254-P/R M	250V 4P	1	YE68025400000	(1)(3)
27			SHINI	254-P/R FE	250V 4P	1	YE68025400100	(1)(3)
28	S1	Emergency stop button	SCHNEIDER	XB2BS542C	400VAC	1	YE11254200000	(1)
29		Contact block	SCHNEIDER	ZB2BE102C	1NC	1	YE00210203100	(1)(4)
30	S2	Stop button	SCHNEIDER	XB2BA22C	400VAC	1	YE11222000000	(1)
31	S3 H1	Start button	SCHNEIDER	XB2BW33B1C	24 VAC	1	YE11233100000	(1)
32		Contact block	SCHNEIDER	ZB2BE101C	1NO	1	YE00210103100	(1)(4)
33	S4 S5	Safety switch	SCHMERSAL	AZ 152VK-14.76	AC-15	2	YE16147600100	(1)
34	S4 S5	Safety switch	SCHMERSAL	AZ16-02ZVRK-M16-14.76-1	250V 3A	2	YE16147600000	(1)(4)
35	S6 S7	Sensor	DELING	DL-12	24 VDC NPN	2	YE15122400000	(1)
36	H2	Frequency warning lamp	SHINI	LED-3051	24 VAC	1	YE83305100900	(1)
37	H3	Buzzer	TEND	EA-2	24 VAC	1	YE84240200000	(1)(3)
38	MS	Material level sensor	SIPAI	SR-80	24 VAC 50/60Hz	1	YE15802400100	(1)(3)
39	M1 M2	Granulating motor	SEW	2.2kW	400V 50Hz	2	-----	(1)
40	M3	Conveying blower	SHINI	0.55kW	400V 50Hz	1	-----	(1)(2)

版本	Ver.B		Note:(3)Means optional accessories of full-receive alarm device. (4)Stand for optional safety relay.			
	Drawing NO.	Scale	Page			
	SG-2436T/2446T	Standard	6			
	Electrical Components List 2	CE	6			
	SHINI		Voltage		4.00V	
	信易塑料机械股份有限公司		Frequency		50Hz	
	Shini Plastics Technologies, Inc.					
	Date		20170420			