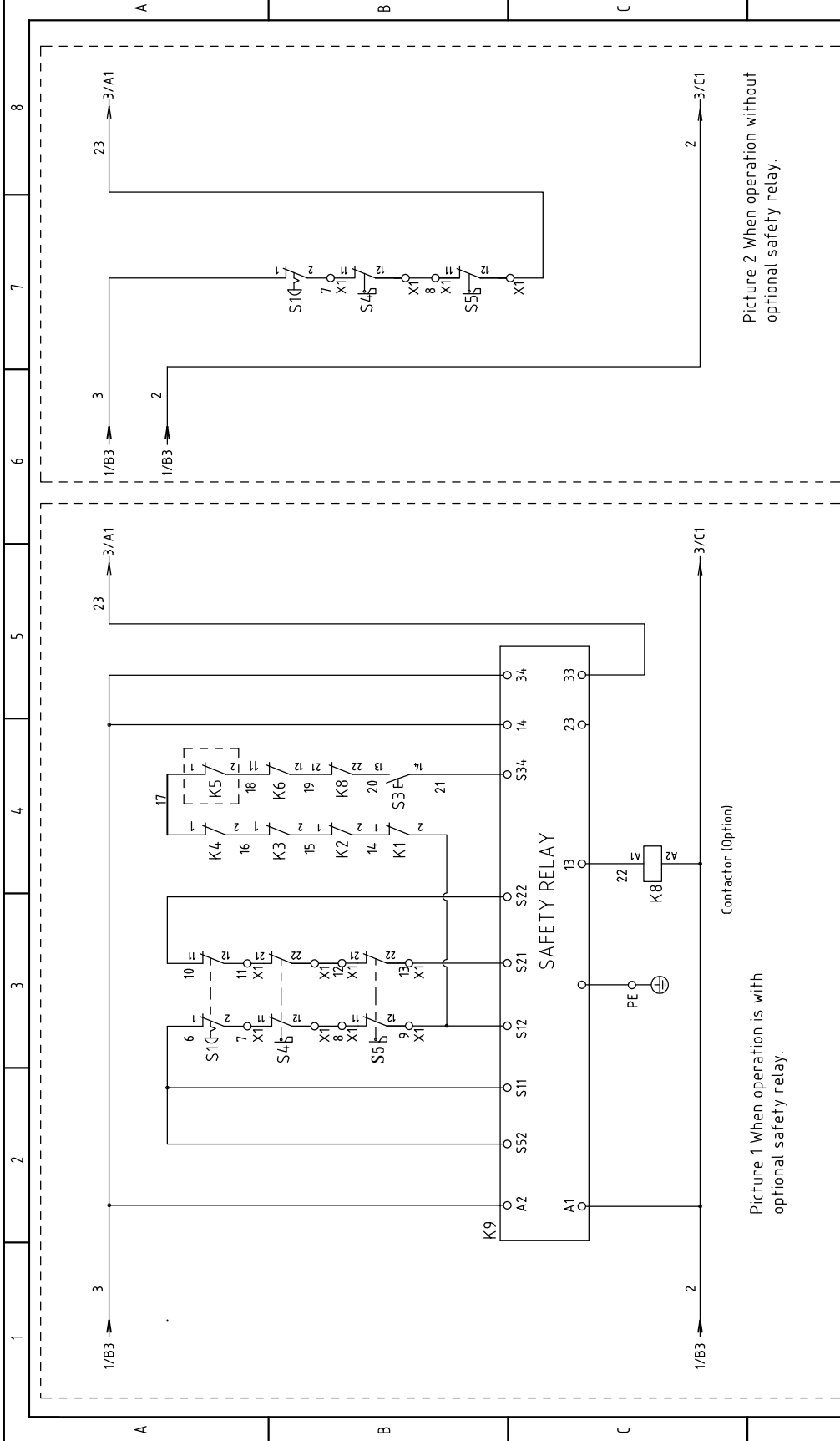


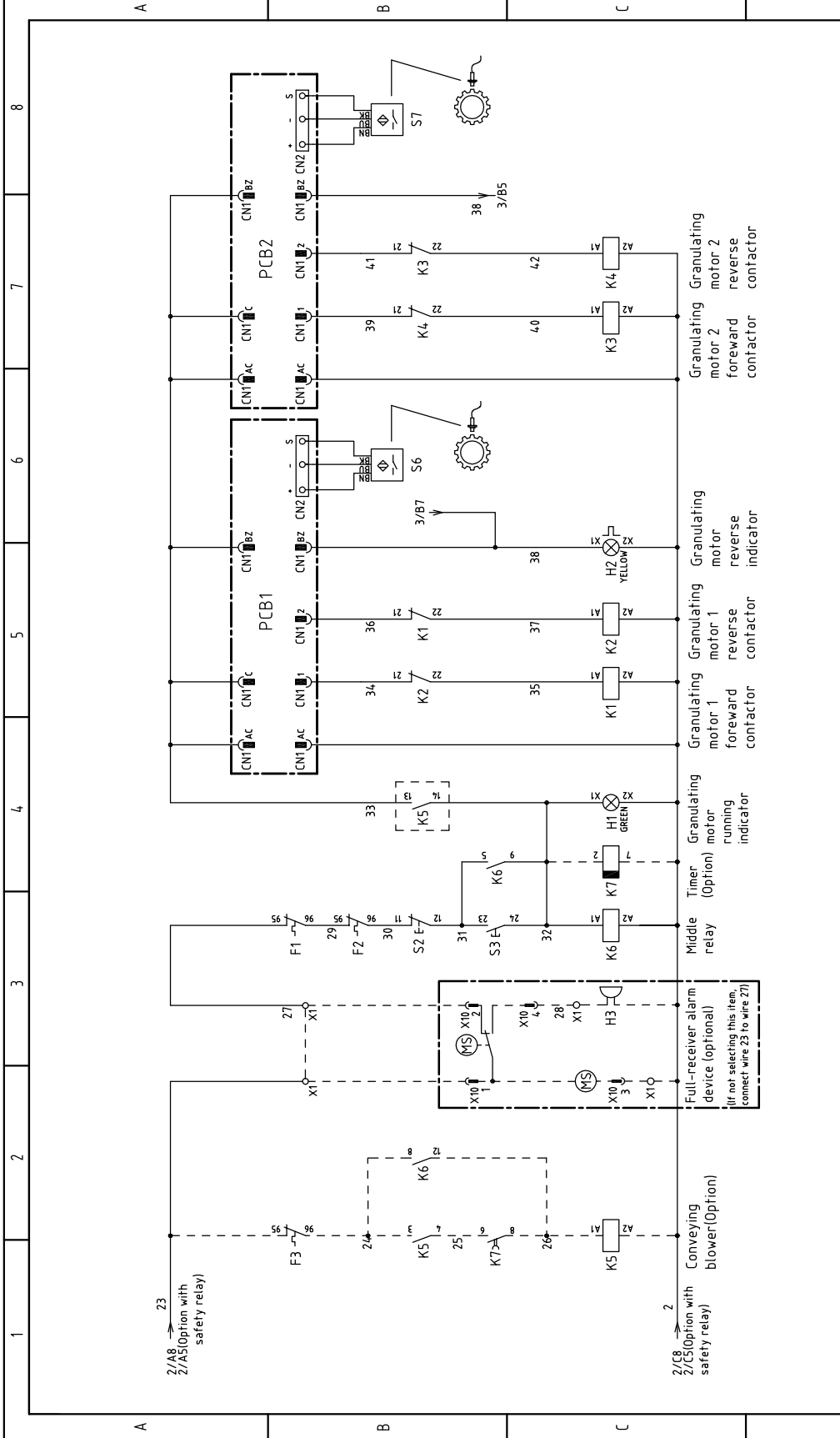
Symbol	VER	①	②	③	④	⑤	⑥	⑦	⑧	⑨	⑩	
Mode	SG-2436T	VER B	21	4.0	25	20	6	9-125	9.5	2.5	2.2	9.2
	SG-2446T	VER B	21	4.0	25	20	6	9-125	9.5	2.5	2.2	9.2

Title		Drawing NO.		Page 1	
SG-2436T/2446T		SG-2436T/2446T-CE-230V-A-1		Page 6	
Main Circuit Diagram		Standard		Voltage	
		CE		230V	
				Frequency	
				50Hz	
Version		A		8	
Approved by				7	
Date		20161224		6	
Checked by				5	
Modified by				4	
Modify Date				3	
After modification				2	
Before modification				1	

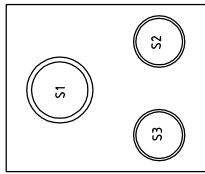
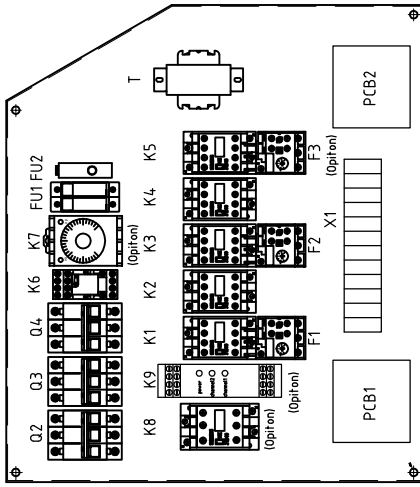




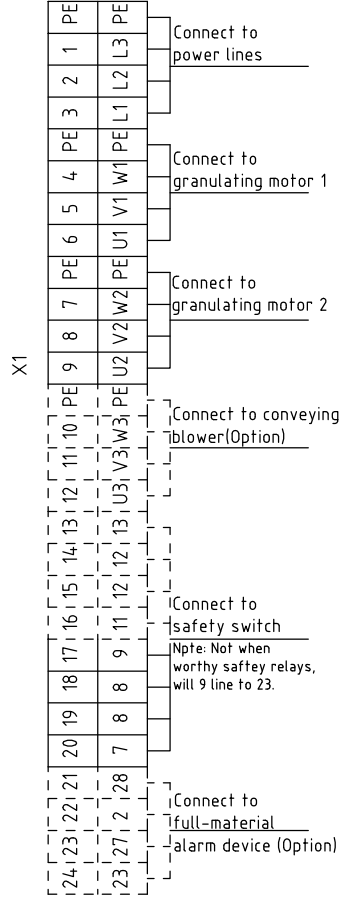
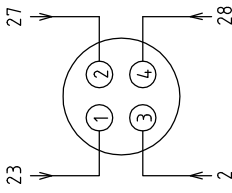
1		2		3		4		5		6		7		8	
A				B				C				D			
Drawing NO.												Scale	Page		
Title												Standard	Totally	Pages	
SG-2436T/2446T												CE	6	6	
Control Circuit Diagram 1												SG-2436T/2446T-CE-230V-A-2	Voltage	230V	
Version												Frequency	50HZ		
A												SHINI		信易塑料机械股份有限公司	
Approved by												Shini Plastics Technologies, Inc.			
Date												20161224			
Checked by															
Modified by															
Mark															



Drawing NO.		Scale		Page 3	
Title		Standard		Totally 6 Pages	
SG-2436T/2446T		CE		Voltage 230V	
Control Circuit Diagram 2				Frequency 50HZ	
Version		Date		SHINI	
A		20161224		信易塑料机械股份有限公司	
Designer		Approved by		Shini Plastics Technologies, Inc.	
Proofread by		Date			
Checked by		Date			
Modified by		Modify date			
Before modification		After modification			
Mark					



Connection diagram of X10 metal connectors (option)



Mark	Before modification	After modification	Modified by	Modify date	Checked by	Proofread by	Designer	Drawer	Version	A	Title	SG-2436T/2446T	Scale	Page	4
									Approved by		Electrical Components Layout	Standard	Totally	6	Pages
											SG-2436T/2446T-CE-230V-A-4	CE	Voltage	230V	
													Frequency	50HZ	



1	2		3	4	5	6	7	8	
NO.	Symbol	Name	Manufacturer	Type	Specification	Number	Material number	Remark	
1	Q1	Main power switch	MOELLER	P1-25/EA/SVB	25A	1	YE10125250000	(1)	
2	Q2 Q3	Circuit breakers	TECO	BM-63C/3020S	20A	2	YE4.0302003000		
3	Q4	Circuit breakers	TECO	BM-63C/3006S	6A	1	YE4.0300603000	(2)	
4	K1 K2 K3 K4	Contactors	SIEMENS	3RT6018-1AB02	24VAC 50/60Hz	4	YE00601802600	A	
5		Auxiliary contact terminal	SIEMENS	3RH6911-1HA11	1NC+1NO	4	YE00691100100	(4)	
6	K5	Contactors	SIEMENS	3RT6016-1AB01	24VAC 50/60Hz	1	YE00601602500	(2)	
7		Auxiliary contact terminal	SIEMENS	3RH6911-1HA11	1NC+1NO	1	YE00691100100		
8	K6	Middle relay	HoneyWell	GR-4C-AC24V	24VAC 50/60Hz	1	YE03042400300		
9	K7	Timer relay	YUYUN	TRF-N	3M 24VAC	1	YE86032400000	(2)	
10	K8	Contactors	SIEMENS	3RT6027-1AC20	24VAC 50/60Hz	1	YE00602702600	(4)	
11	K9	Safety relay	PILZ	PN0Z X2.8P	24VAC/DC	1	YE04023000000	(4)	
12	F1 F2	Overload relay	SIEMENS	3RU6116-1KB0	9-12.5A	2	YE01169125000		
13	F3	Overload relay	SIEMENS	3RU6116-1DB0	2.2-3.2A	1	YE01160220000	(2)	
14	FU1	Fuse	CHNT	RT28-32	2P	1	YE4.1032200000		
15		Fuse core	CHNT	10x38	2A	1	YE4.6002000100		
16	FU2	Fuse	YINDA	FS-10	----	1	YE4.1001000000	(4)	
17		Glass tube	----	----	5A	1	YE4.6630500100		
18	PCB1 PCB2	PCB	YUYUN	AC-01	24VAC	2	YE80012400600		
19	X1	Terminal board	HoneyWell	4mm <sup>2</sup>	----	3	YE60000403200	C	
20				4mm <sup>2</sup> PE	----	1	YE60000403500		
21				2.5mm <sup>2</sup>	----	10	YE60002503200		
22				2.5mm <sup>2</sup> PE	----	2	YE60002503400		
23				2.5mm <sup>2</sup>	----	3	YE60002503200	(2)	
24				2.5mm <sup>2</sup> PE	----	1	YE60002503400	(2)	
25				2.5mm <sup>2</sup>	----	4	YE60002503200	(3)	
版本 Ver-A		Notes: (1) Means not part of control box. (2) Means accessories for material conveying blower.							
D		Drawer		Version	Title		Drawing NO.		
		Designer		A	SG-2436T/2446T		SG-2436T/2446T-CE-230V-A-5		
		Proofread by		Approved by	Electrical Components List 1		Standard		
		Checked by		Date	20161224		CE		
Mark		Before modification		After modification		Modify date		Voltage	
								230V	
								Frequency	
								50HZ	
1		2		3		4		5	
								6	
								7	
								8	
								Page 5	
								Totally 6	
								Pages	



1		2		3		4		5		6		7		8	
NO.	Symbol	Name	Manufacturer	Type	Specification	Number	Material number	Remark							
26				2.5mm <sup>2</sup>	----	4	YE60002503200	(4)							
27	X10	Metal joint	SHINI	PLT-254-PM	250V 4P	1	YE68025400000	(1)(3)							
28				PLT-254-RF	250V 4P	1	YE68025400100	(1)(3)							
29	S1	Emergency stop button	SCHNEIDER	XB2BS542C	230VAC	1	YE11254200000	(1)							
30		Contact block	SCHNEIDER	ZB2BE102C	1NC	1	YE00210203100	(1)(4)							
31	S2	Stop button	SCHNEIDER	XB2BA22C	230VAC	1	YE11222000000	(1)							
32	S3 H1	start button	SCHNEIDER	XB2BW33B1C	24VAC	1	YE11233100000	(1)							
33		Contact block	SCHNEIDER	ZB2BE101C	1NO	1	YE00210103100	(1)(4)							
34	S4 S5	Safety switch	SCHMERSAL	AZ 152VK-14.76	AC-15	2	YE16147600100	(1)							
35	S4 S5	Safety switch	SCHMERSAL	AZ16-02ZVRK-M16-14.76-1	250V 3A	2	YE16147600000	(1)(4)							
36	S6 S7	Sensor	DELING	DL-12	24VDC NPN	2	YE15122400000	(1)							
37	T	Transformer	BAIYUN	IN=230V OUT=24V	80VA	1	YE70248005900	(4)							
38	H3	Buzzer	TEND	EA-2	24VAC	1	YE84240200000	(1)(3)							
39	MS	Material level sensor	SIPAI	SR-80	24VAC 50/60Hz	1	YE15802400100	(1)(3)							
40	H2	Alarm light	SHINI	LED-3051	24VAC	1	YE83305100900	(1)							
41	M1 M2	Granulating motor	SEW	2.2kW	230V 50Hz	2	-----	(1)							
42	M3	Conveying blower	SHINI	0.55kW	230V 50Hz	1	-----	(1)(2)							
C															
D															
版本		Ver-A		Note:(3)Means optional accessories of full-receive alarm device. (4)Stand for optional safety relay.											
				Title		Drawing NO.		Scale		Page		6		8	
				SG-2436T/2446T		SG-2436T/2446T		Standard		CE		Voltage		230V	
				Electrical Components List 2								Frequency		50Hz	
				Version		A		Approved by		Date		20161224			
				Designer		Proofread by		Checked by		Modify date					
				Before modification		After modification									
				Mark											

