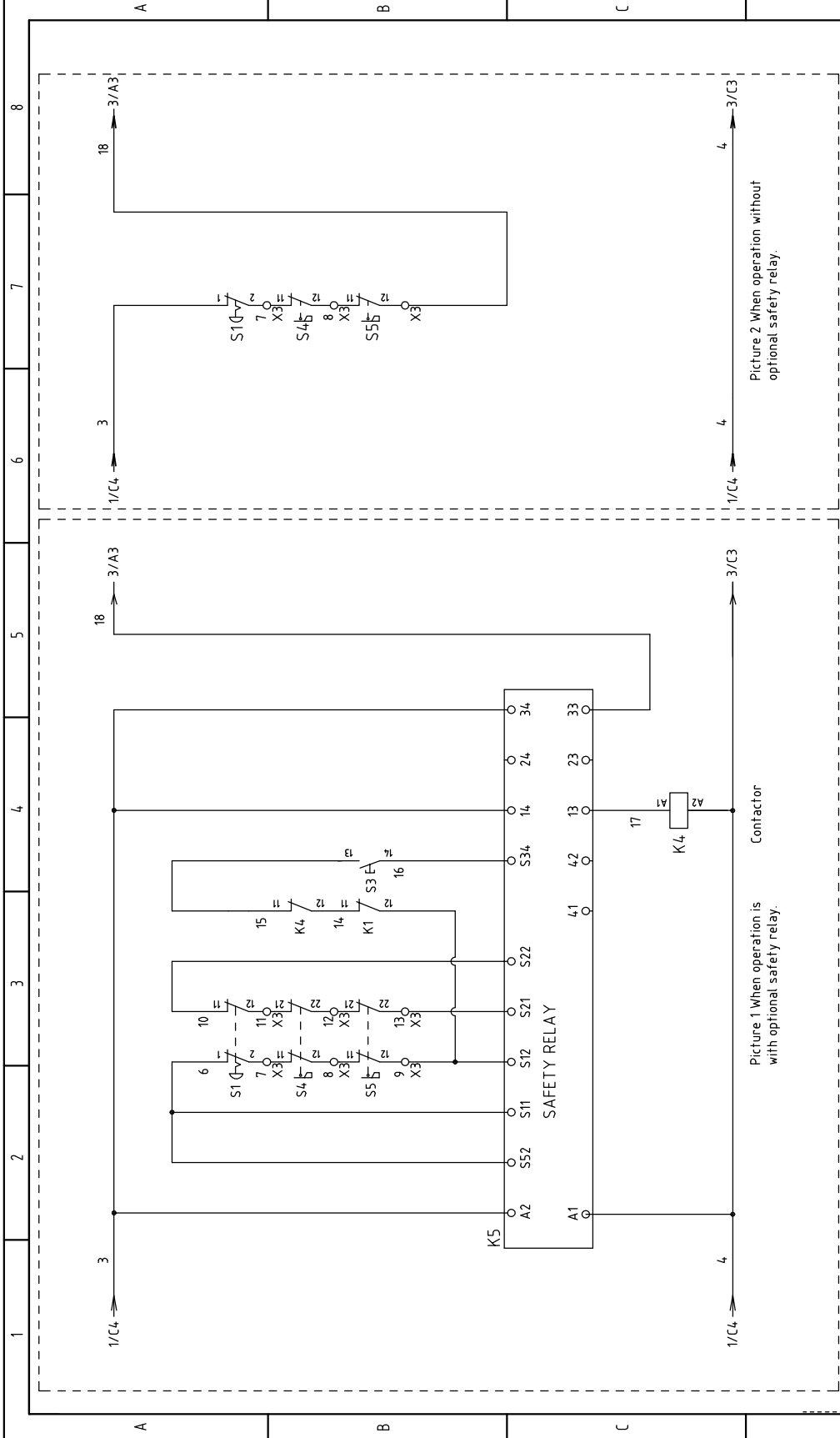


P =  $\text{⊕}$  kW  
 IN =  $\text{⊕}$  A  
 Granulating motor

Symbol	Ver.	Ⓐ	Ⓑ	Ⓒ	Ⓓ	Ⓔ	Ⓕ	Ⓖ	Ⓗ
Mode									
SG-3048E/2348E	Ver.C	21.5	4.0	50	20-25	21.5	4.0	11	21.5
2336E	Ver.C	15.2	2.5	40	14-20	15.2	2.5	7.5	15.2
2324E	Ver.C	11.5	2.5	25	11-16	11.5	2.5	5.5	11.5

(When operation is with optional safety relay)

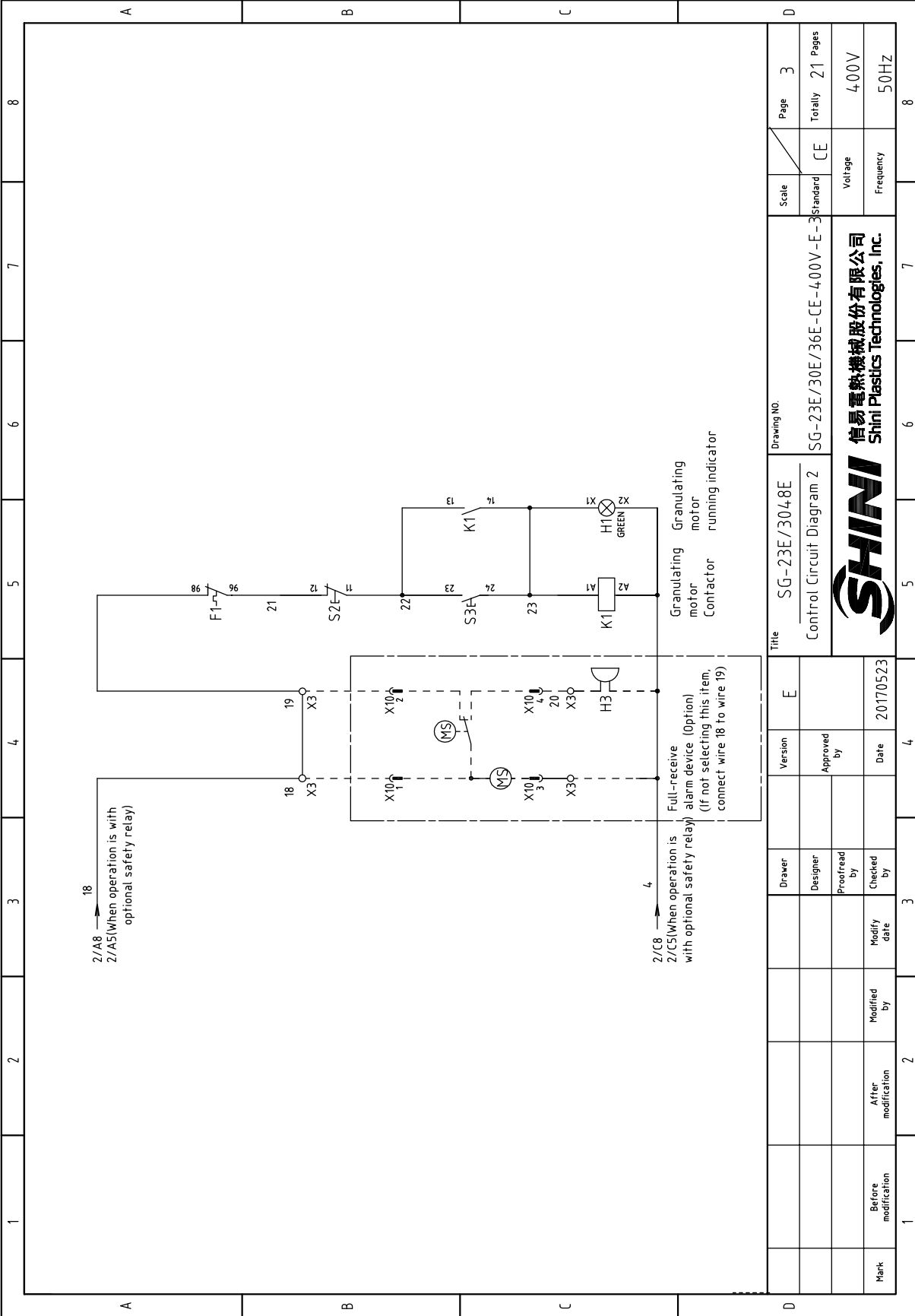
Title		Drawing NO.		Page	
SG-23E/3048E		SG-23E/30E/36E-CE-400V-E-1		1	
Main Circuit Diagram		Standard		21	
SHINI		Voltage		400V	
信易塑料机械股份有限公司 Shini Plastics Technologies, Inc.		Frequency		50Hz	
Version		Approved by		Totally	
E		Date		21	
20170523		20170523		Pages	
Mark		Before modification		8	
1		2		7	
3		4		8	



Title		SG-23E/3048E		Drawing NO.		SG-23E/30E/36E-CE-400V-E-2		Page 2	
Version		E		Standard		CE		Totally 21 Pages	
Designer		Approved by		Voltage		400V		Frequency	
Proofread by		Date		20170523		50HZ			
Checked by		Modify date		Before modification		After modification			
Mark		1		2		3		4	
		5		6		7		8	

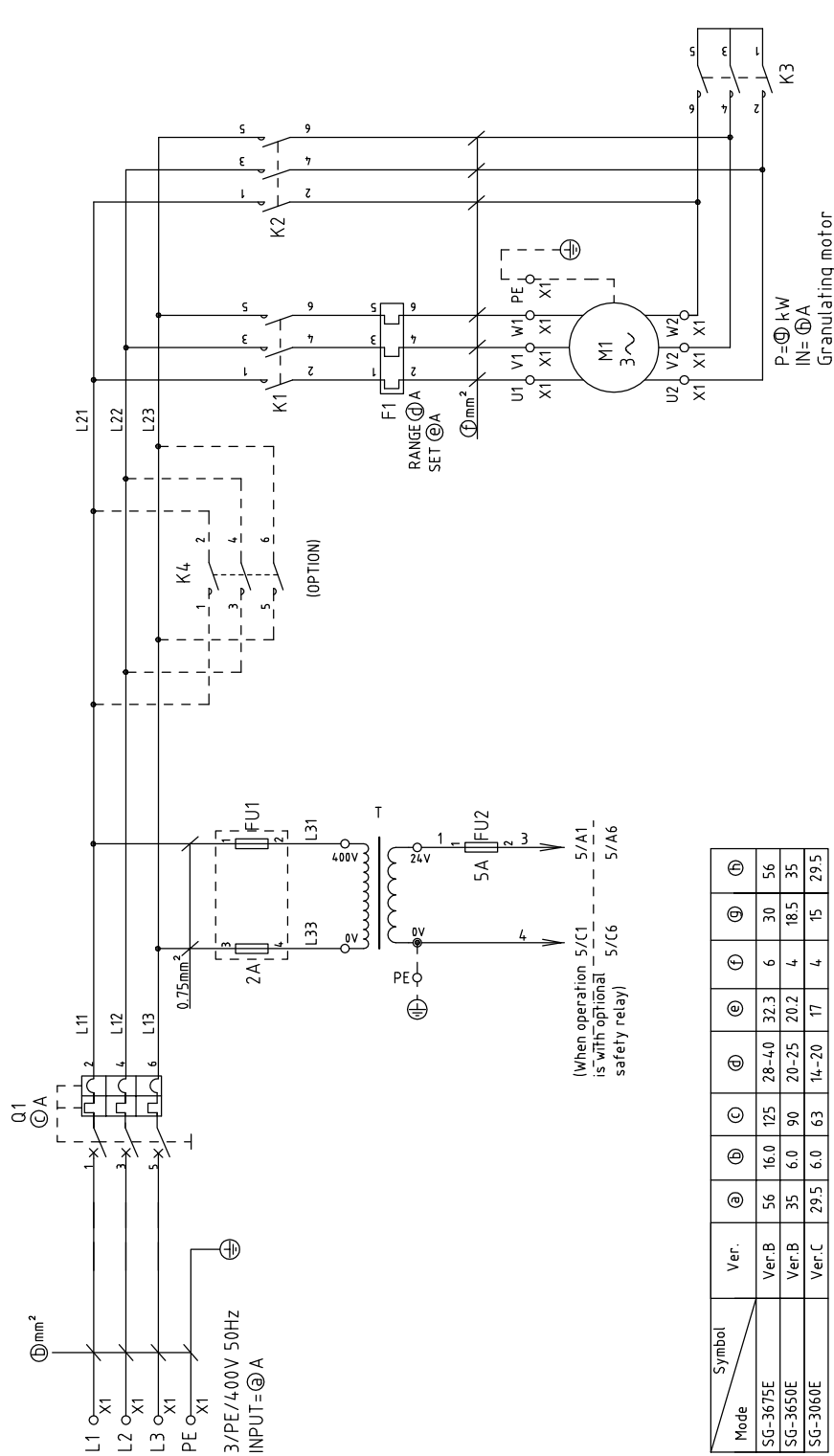


Picture 2. When operation without optional safety relay.



Mark	Before modification	After modification	Modify date	Checked by	Proofoad by	Designer	Drawer	Version	E	Title	SG-23E/3048E	Drawing NO.	SG-23E/30E/36E-CE-400V-E-3	Scale	Standard	CE	Page	3
								Approved by		Control Circuit Diagram 2				Standard			Totally	21
								Date	20170523								Voltage	400V
																	Frequency	50HZ

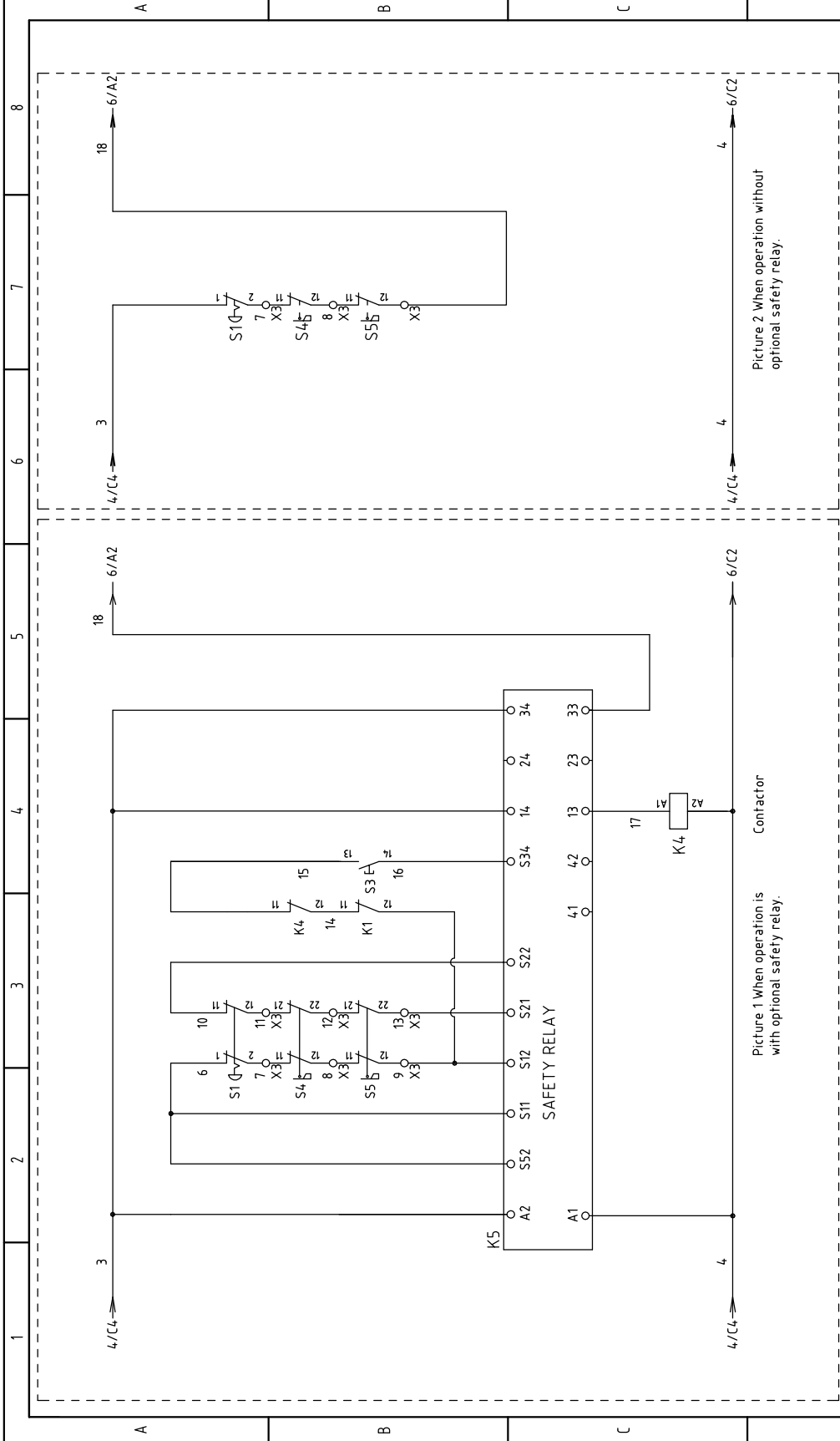




Symbol	Ver.	②	③	④	⑤	⑥	⑦	⑧	⑨
Mode									
SG-3675E	Ver.B 56	16.0	125	28-40	32.3	6	30	56	
SG-3650E	Ver.B 35	6.0	90	20-25	20.2	4	18.5	35	
SG-3060E	Ver.C 29.5	6.0	63	14-20	17	4	15	29.5	

Title		Drawing No.		Scale	Page
SG-3060E/36E		SG-23E/30E/36E-CE-400V-E-4		Standard	4
Main Circuit Diagram		CE		Totally	21 Pages
		Voltage		4,00V	
		Frequency		50Hz	
Version		E		8	
Approved by		Date		20170523	
Designer		Modify Date		3	
Proofread by		Checked by		4	
Before modification		After modification		2	
Mark		1		8	



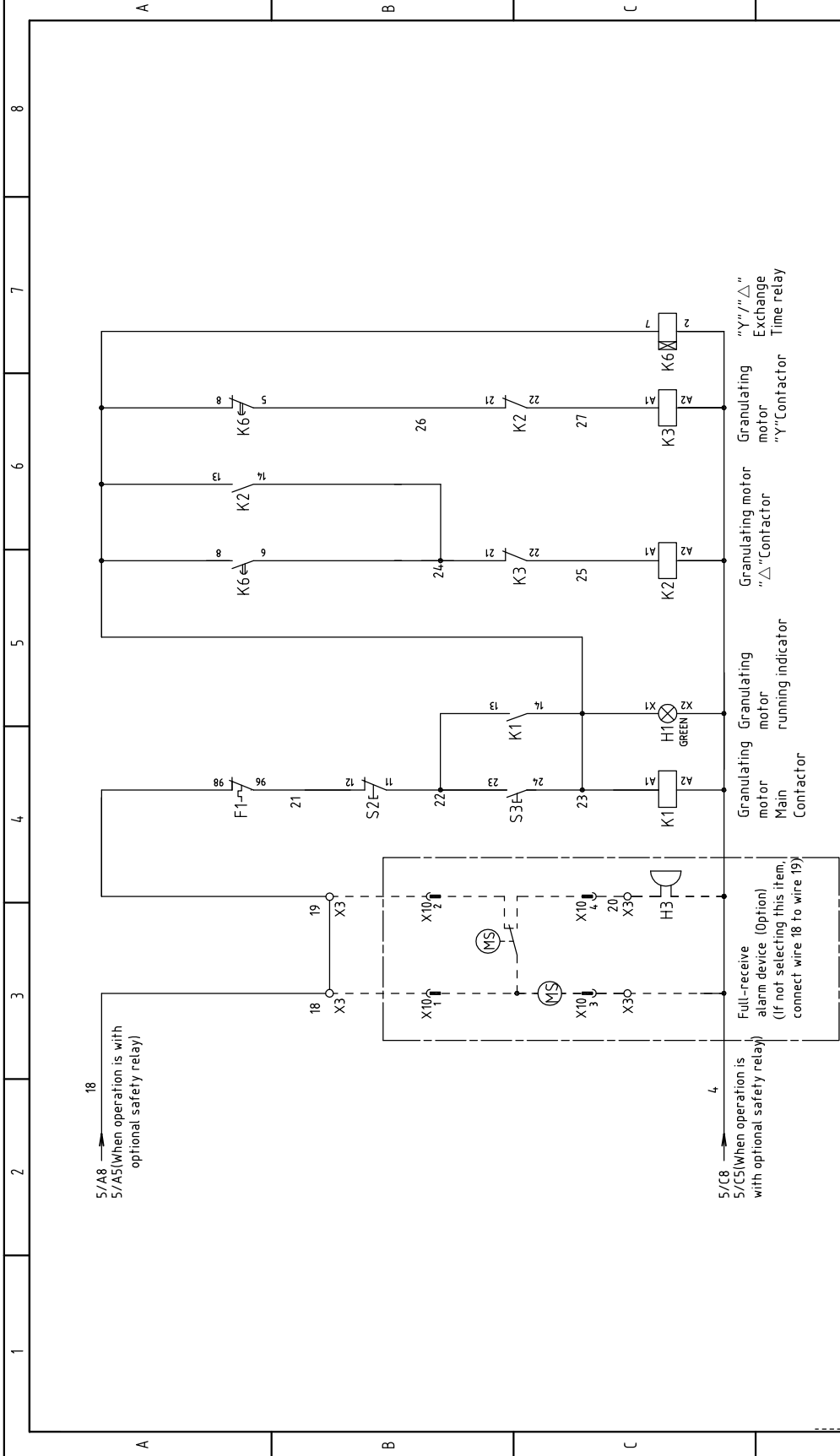


Picture 1 When operation is with optional safety relay.

Picture 2 When operation without optional safety relay.

Mark		Before modification	After modification	Modified by	Modify date	Checked by	Date	20170523
Designer		Proofread by	Approved by					
Version		E						
Title		SG-3060E/36E Control Circuit Diagram 1						
Drawing NO.		SG-23E/30E/36E-CE-400V-E-5						
Scale	Standard	CE	Voltage		400V			
Page	5	Frequency		50Hz				
Totally		21		Pages				





Title		SG-3060E/36E		Drawing NO.		Page	
Version		E		SG-23E/30E/36E-CE-400V-E-6		Scale	
Designer		Approved by		Standard		Voltage	
Proofread by		Date		CE		Frequency	
Checked by		20170523		400V		50HZ	
Mark		Before modification		After modification		Modify date	
1		2		3		4	
5		6		7		8	
SHINI		信易塑料机械股份有限公司		Shini Plastics Technologies, Inc.		Totally 21 Pages	

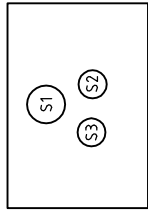
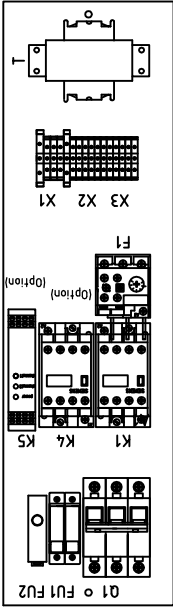
1 2 3 4 5 6 7 8

A

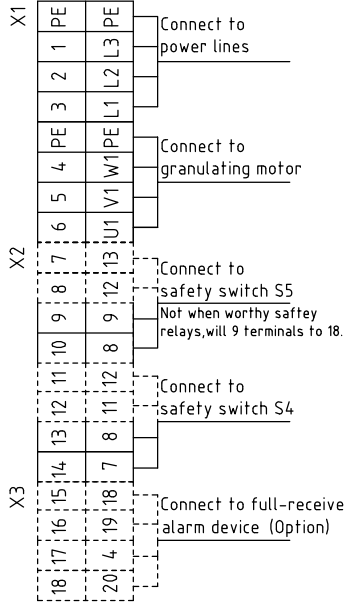
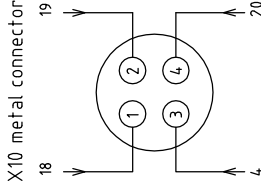
B

C

D



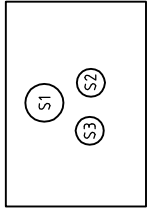
Connection diagram of X10 metal connectors (option)



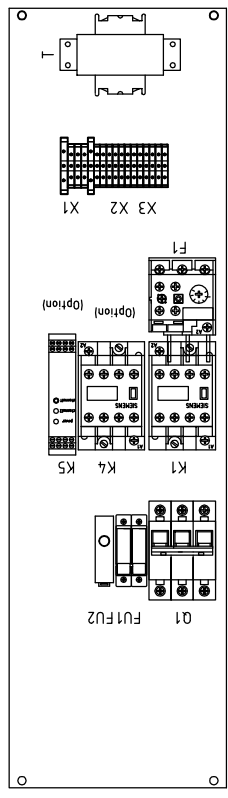
Mark	Before modification	After modification	Modified by	Modify date	Checked by	Proofread by	Designer	Drawer	Version	E	Title	SG-23E	Drawing NO.	Scale	Page	7		
											Electrical Components Layout	SG-23E/30E/36E-CE-4.00V-E-7		Standard	CE	Totally	21	
																	Pages	4.00V
																		50HZ



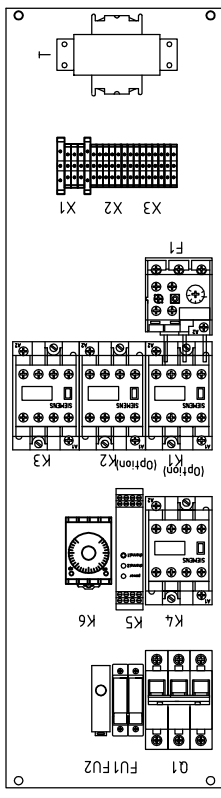
1 2 3 4 5 6 7 8



Panel

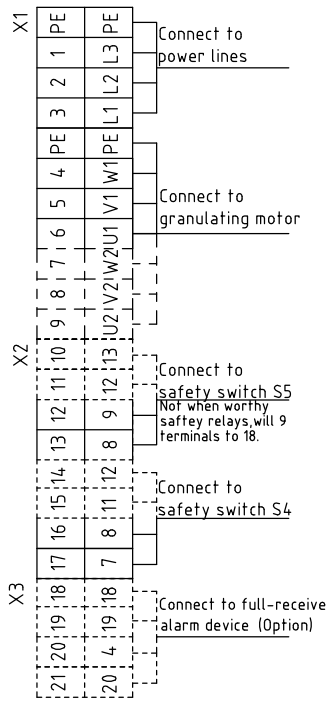
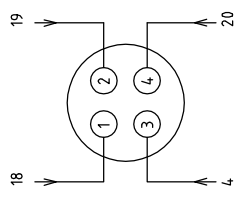


SG-3048E



SG-30E

Connection diagram of X10 metal connectors (option)

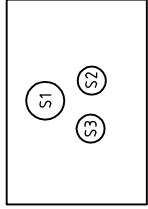


Mark		Before modification	Modified by	Modify date	Checked by	Date	20170523
Designer		Proofread by	Approved by	Version	E	Title	SG-30E
Drawing NO.		SG-23E/30E/36E-CE-400V-E-8		Electrical Components Layout			
Scale	Standard	CE	Page	8		Totally 21 Pages	
Voltage	400V	Frequency	50Hz				

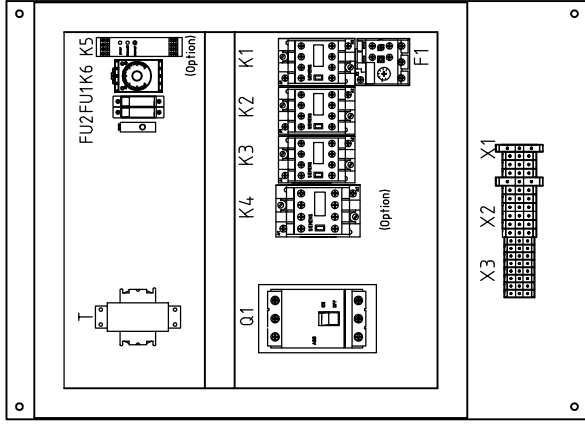




1 2 3 4 5 6 7 8

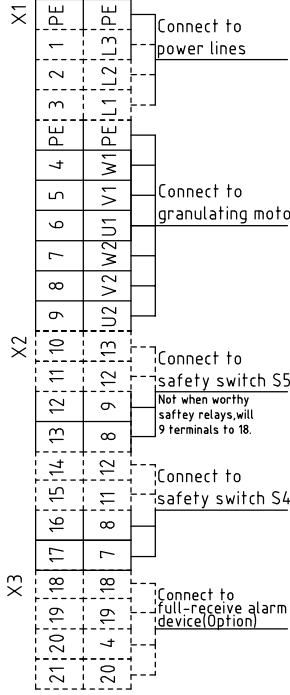
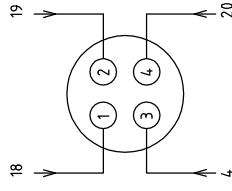


Panel



SG-36E

Connection diagram of X10 metal connectors (option)



Mark	Before modification	After modification	Modified by	Modify date	Checked by	Proofread by	Designer	Drawer	Version	E	Title	SG-36E	Drawing NO.	Scale	Page	9
											Electrical Components Layout	SG-23E/30E/36E-CE-400V-E-9	Standard	CE	Totally	21
																Pages
																400V
																50HZ




1 2 3 4 5 6 7 8

1		2		3		4		5		6		7		8	
NO.	Symbol	Name	Manufacturer	Type	Specification	Number	Material number	Remark							
1	Q1	Circuit breaker	TECO	BM-63C	25A	1	YE40302503000								
2	K1	Contactor	SIEMENS	3RT6018-1AB01	24VAC	1	YE00601802500								
3	K4	Auxiliary contactor	SIEMENS	3RH6911-1HA11	1NO+1NC	1	YE00691100100	(3)							
4	K4	Contactor	SIEMENS	3RT6018-1AB02	24VAC	1	YE00601802600	(3)							
5	K5	Safety relay	PILZ	PNQZx2.8P	24V AC/DC	1	YE04023000000	(3)							
6	F1	Overload relay	SIEMENS	3RU6116-4AB0	11-16A	1	YE0161164-0000								
7	FU1	Fuse	CHINT	RT18-32	2P	1	YE41032200000								
8		Fuse core	CHINT	10x38 500V 2A	2A	2	YE46002000100								
9	FU2	Fuse	YINDA	FS-10	-----	1	YE41001000000								
10		Glass tube	-----	6x30	5A	1	YE46630500100								
11	T	Transformer	BAIYUN	IN=400V OUT=24V	120VA	1	YE70402400700								
12	X1	Terminal	HONEYWELL	2.5mm <sup>2</sup>	-----	6	YE60002503200								
13	X2	Terminal	HONEYWELL	2.5mm <sup>2</sup> PE	-----	2	YE60002503400								
14	X2	Terminal	HONEYWELL	2.5mm <sup>2</sup>	-----	4	YE60002503200								
15		Terminal	HONEYWELL	2.5mm <sup>2</sup>	-----	4	YE60002503200	(3)							
16	X3	Terminal	HONEYWELL	2.5mm <sup>2</sup>	-----	4	YE60002503200	(2)							
17	S1	Emergency stop button	SCHNEIDER	XB2BS542C	400VAC	1	YE11254200000	(1)							
18		Contact block	SCHNEIDER	ZB2BE102C	1NC	1	YE00210203100	(1)(3)							
19	S2	Stop button	SCHNEIDER	XB2BA22C	400VAC	1	YE11222000000	(1)							
20	S3,H1	Start button	SCHNEIDER	XB2BW33M1C	24VAC	1	YE11233100000	(1)							
21		Contact block	SCHNEIDER	ZB2BE101C	1NO	1	YE00210103100	(1)(3)							
22	S4,S5	Safety switch	SCHMERSRC	AZ15-02ZVRK-14.76	AZ-15	2	YE16147600100	(1)							
23	S4,S5	Safety switch	SCHMERSRC	AZ16-02ZVRK-14.76	AZ-16	2	YE16147600000	(1)(3)							
24	H3	Buzzer	TEND	EA-2	24VAC	1	YE84240200000	(1)(2)							
25	MS	Material level sensor	SIPAL	SR-80	24VAC	1	YE15802400100	(1)(2)							
<b>机型版本: Ver.C</b> Notes: (1)Means it's not the material inside the control box.(2)Means optional accessories of full-receive alarm device.(3)Stand for optional safety relay.															
		Drawer		Version		E		Title		Drawing NO.		Scale		Page	
		Designer		Approved by				SG-2324E		SG-23E/30E/36E-CE-400V-E-10		Standard		CE	
		Proofread by		Date		20170523		Electrical Components List 1				Voltage		4.00V	
		Checked by		Modify date								Frequency		5.0HZ	
Mark		Before modification		Modified by											
1		2		3		4		5		6		7		8	



1		2		3		4		5		6		7		8	
No.	Symbol	Name	Manufacturer	Type	Specification	Number	Material number	Remark							
26	X10	Metal joint	APEX	PLT-254-PM	4P	1	YE68025400000	(1)(2)							
27			APEX	PLT-254-RF	4P	1	YE68025400100	(1)(2)							
28	M1	Granulating motor	-----	5.5kw	400V 50Hz	1	-----	(1)							
A															
B															
C															
D															
<b>机型版本: Ver.C</b> Notes: (1)Means it's not the material inside the control box.(2)Means optional accessories of full-receive alarm device.(3)Stand for optional safety relay.															
		Title		Version		E		Scale		Page					
		SG-2324E						Standard		11					
		Electrical Components List 2						CE		21					
		SHINI		20170523				Voltage		400V					
		Shini Plastics Technologies, Inc.						Frequency		50Hz					
1 2 3 4 5 6 7 8															

1	2		3	4	5	6	7	8
NO.	Symbol	Name	Manufacturer	Type	Specification	Number	Material number	Remark
1	Q1	Circuit breaker	TECO	BM-63/3P	40A	1	YE40304003000	
2	K1	Contactor	SIEMENS	3RT6026-1AC20	24VAC	1	YE00602602600	
3	K4	Contactor	SIEMENS	3RT6026-1AC20	24VAC	1	YE00602602600	(3)
4	K5	Safety relay	PILZ	PNOZx2.8P	24V AC/DC	1	YE04023000000	(3)
5	F1	Overload relay	SIEMENS	3RU6126-4BB0	14-20A	1	YE01260140000	
6	FU1	Fuse	CHNT	RT18-32	2P	1	YE41032200000	
7		Fuse core	CHNT	10x38 500V ZA	2A	2	YE46002000100	
8	FU2	Fuse	YINDA	FS-10	-----	1	YE41001000000	
9		Glass tube	-----	6x30	5A	1	YE46630500100	
10	T	Transformer	BAIJUN	IN=400V OUT=24V	120VA	1	YE70402400700	
11	X1	Terminal	HONEYWELL	2.5mm <sup>2</sup>	-----	6	YE60002503200	
12			HONEYWELL	2.5mm <sup>2</sup> PE	-----	2	YE60002503400	
13	X2	Terminal	HONEYWELL	2.5mm <sup>2</sup>	-----	4	YE60002503200	(3)
14			HONEYWELL	2.5mm <sup>2</sup>	-----	4	YE60002503200	(2)
15	X3	Terminal	HONEYWELL	2.5mm <sup>2</sup>	-----	4	YE60002503200	(1)
16	S1	Emergency stop button	SCHNEIDER	XB2BS542C	400VAC	1	YE11254200000	(1)(3)
17		Contact block	SCHNEIDER	ZB2BE102C	1NC	1	YE00210203100	(1)
18	S2	Stop button	SCHNEIDER	XB2BA22C	400VAC	1	YE11222000000	(1)
19	S3,H1	Start button	SCHNEIDER	XB2BW33M1C	24VAC	1	YE11233100000	(1)(3)
20		Contact block	SCHNEIDER	ZB2BE101C	1NO	1	YE00210103100	(1)
21	S4,S5	Safety switch	SCHMERSRC	AZ15-02ZVRK-14.76	AZ-15	2	YE16147600100	(1)(3)
22	S4,S5	Safety switch	SCHMERSRC	AZ16-02ZVRK-14.76	AZ-16	2	YE16147600000	(1)(2)
23	H3	Buzzer	TEND	EA-2	24VAC	1	YE84240200000	(1)(2)
24	MS	Material level sensor	SIPAI	SR-80	24VAC	1	YE15802400100	(1)(2)
25	X10	Metal joint	APEX	PLT-254-PM	4P	1	YE68025400000	(1)(2)
<b>机型版本: Ver.C</b> Notes: (1)Means it's not the material inside the control box.(2)Means optional accessories of full-receive alarm device.(3)Stand for optional safety relay.								
				Version	E	Drawing NO		Page 12
				Designer		Title SG-2336E		Scale
				Proofread by		Electrical Components List 1		Standard
				Checked by		SG-23E/30E/36E-CE-4.00V-E-12		Voltage
				Modified by		SHINI		Frequency
				Modify date	20170523	信易塑料机械股份有限公司		400V
						Shini Plastics Technologies, Inc.		50HZ
Mark	Before modification	After modification	Modified by	Date	20170523			
1	2	3	4	5	6	7	8	

1		2		3		4		5		6		7		8	
NO.	Symbol	Name	Manufacturer	Type	Specification	Number	Material number	Remark							
26			APEX	PLT-254-RF	4P	1	YE68025400100	(1)(2)							
27	M1	Granulating motor	-----	7.5kW	400V 50Hz	1	-----	(1)							
A															
B															
C															
D															
<b>机型版本: Ver.C</b> Notes: (1)Means it's not the material inside the control box.(2)Means optional accessories of full-receive alarm device.(3)Stand for optional safety relay.															
		Title		Version		E		SG-2336E		Drawing NO		Scale		Page 13	
		Electrical Components List 2		Approved by				SG-23E/30E/36E-CE-400V-E-13		Standard		CE		Totally 21 Pages	
		Proofread by		Date		20170523				Voltage		400V			
Mark		Before modification		Modified by		Modify date		Checked by		Frequency		50Hz			
 <b>信易塑料机械股份有限公司</b> <b>Shini Plastics Technologies, Inc.</b>															
1 2 3 4 5 6 7 8															

1	2		3	4	5	6	7	8
NO.	Symbol	Name	Manufacturer	Type	Specification	Number	Material number	Remark
1	Q1	Circuit breaker	TECO	BM-63C/3P	50A	1	YE40305003000	
2	K1	Contact	SIEMENS	3RT6028-1AC20	24VAC	1	YE00602802600	
3	K4	Contact	SIEMENS	3RT6028-1AC20	24VAC	1	YE00602802600	(3)
4	K5	Safety relay	PILZ	PNOZ×2.8P	24V AC/DC	1	YE04023000000	(3)
5	F1	Overload relay	SIEMENS	3RU6126-4DB0	20-25A	1	YE01260200000	
6	FU1	Fuse	CHNT	RT18-32	2P	1	YE41032200000	
7		Fuse core	CHNT	10×38 500V 2A	2A	2	YE46002000100	
8	FU2	Fuse	YINDA	FS-10	-----	1	YE41001000000	
9		Glass tube	-----	6×30	5A	1	YE46630500100	
10	T	Transformer	BAIJUN	IN=400V OUT=24V	120VA	1	YE70402400700	
11	X1	Terminal	HONEYWELL	4.0mm <sup>2</sup>	-----	6	YE60000403200	
12			HONEYWELL	4.0mm <sup>2</sup> PE	-----	2	YE60000403500	
13	X2	Terminal	HONEYWELL	2.5mm <sup>2</sup>	-----	4	YE60002503200	(3)
14			HONEYWELL	2.5mm <sup>2</sup>	-----	4	YE60002503200	(3)
15	X3	Terminal	HONEYWELL	2.5mm <sup>2</sup>	-----	4	YE60002503200	(2)
16	S1	Emergency stop button	SCHNEIDER	XB2BS542C	400VAC	1	YE11254200000	(1)
17		Contact block	SCHNEIDER	ZB2BE102C	1NC	1	YE00210203100	(1)(3)
18	S2	Stop button	SCHNEIDER	XB2BA22C	400VAC	1	YE11222000000	(1)
19	S3,H1	Start button	SCHNEIDER	XB2BW33M1C	24VAC	1	YE11233100000	(1)
20		Contact block	SCHNEIDER	ZB2BE101C	1NO	1	YE00210103100	(1)(3)
21	S4,S5	Safety switch	SCHMERSRC	AZ15-02ZYRK-1476	AZ-15	2	YE16147600100	(1)
22	S4,S5	Safety switch	SCHMERSRC	AZ16-02ZYRK-1476	AZ-16	2	YE16147600000	(1)(3)
23	H3	Buzzer	TEND	EA-2	24VAC	1	YE84240200000	(1)(2)
24	MS	Material level sensor	SIPAI	SR-80	24VAC	1	YE15802400100	(1)(2)
25	X10	Metal joint	APEX	PLT-254-PM	4P	1	YE68025400000	(1)(2)
<b>机型版本: Ver.C</b> Notes: (1)Means it's not the material inside the control box.(2)Means optional accessories of full-receive alarm device.(3)Stand for optional safety relay.								
				E	Title	Drawing NO.	Scale	Page
				Version	SG-2348E/3048E	SG-23E/30E/36E-400V-E-14	Standard	14
				Designer	Electrical Components List 1	CE	Voltage	400V
				Proofread by			Frequency	50HZ
				Checked by	Date	20170523	Totality	21
				Modified by	Modify date		Pages	
Mark				Before modification	After modification		CE	400V
1				2	3	4	5	6
				7	8			




1		2		3		4		5		6		7		8	
NO.	Symbol	Name	Manufacturer	Type	Specification	Number	Material number	Remark							
26			APEX	PLT-254-RF	4P	1	YE68025400100	(1)(2)							
27	M1	Granulating motor	-----	11kW	4.00V 50Hz	1	-----	(1)							
A															
B															
C															
D															
<b>机型版本: Ver.C</b> Notes: (1)Means it's not the material inside the control box.(2)Means optional accessories of full-receive alarm device.(3)Stand for optional safety relay.															
			Drawer	Version	E	Title SG-2348E/3048E Electrical Components List 2		Drawing NO. SG-23E/30E/36E-CE-4.00V-E-15		Scale	CE	Page	15		
			Designer	Approved by					Standard	CE	Totally	21 Pages			
			Proofread by	Date	20170523				Voltage	4.00V					
Mark			Modified by	Modify date					Frequency	5.0Hz					
1															
2															
3															
4															
5															
6															
7															
8															



1	2		3	4	5	6	7	8	
NO.	Symbol	Name	Manufacturer	Type	Specification	Number	Material number	Remark	
1	Q1	Circuit breaker	TECO	BM-63C/3P	63A	1	YE40306303000		
2	K1 K2	Contact	SIEMENS	3RT16026-1AC20	24 VAC	2	YE00602602600		
3	K3	Contact	SIEMENS	3RT16025-1AC20	24 VAC	1	YE00602502600	A	
4	K4	Contact	SIEMENS	3RT15036-1AC20	24 VAC	1	YE00503602600	(3)	
5		Auxiliary contact	SIEMENS	3RH5921-1EA01	1NC+1NO	1	YE00592103100	(3)	
6	K5	Safety relay	PILZ	PNQZx2.8P	24 V AC/DC	1	YE04023000000	(3)	
7	K6	Timer relay	YUYUN	TH3A-NAB	24 VAC	1	YE86602400300		
8	F1	Overload relay	SIEMENS	3RU6126-4BB0	14-20A	1	YE01260140000		
9	FU1	Fuse	CHNT	RT18-32	2P	1	YE41032200000		
10		Fuse core	CHNT	10x38 500V 1A	2A	2	YE46002000100		
11	FU2	Fuse	YINDA	FS-10	-----	1	YE41001000000	B	
12		Glass tube	-----	6x30	5A	1	YE46630500100		
13	T	Transformer	BAIYUN	IN=400V OUT=24V	120VA	1	YE70402300800		
14	X1	Terminal	HONEYWELL	6.0mm <sup>2</sup>	-----	3	YE60000603200		
15			HONEYWELL	6.0mm <sup>2</sup> PE	-----	1	YE60000603500		
16			HONEYWELL	4.0mm <sup>2</sup>	-----	6	YE60000403200		
17			HONEYWELL	4.0mm <sup>2</sup> PE	-----	1	YE60000403500		
18	X2	Terminal	HONEYWELL	2.5mm <sup>2</sup>	-----	4	YE60002503200		
19			HONEYWELL	2.5mm <sup>2</sup>	-----	4	YE60002503200	C	
20	X3	Terminal	HONEYWELL	2.5mm <sup>2</sup>	-----	4	YE60002503200	(2)	
21	S1	Emergency stop button	SCHNEIDER	XB2BS542C	4.00VAC	1	YE11254200000	(1)	
22		Contact block	SCHNEIDER	ZB2BE102C	1NC	1	YE00210203100	(1)(3)	
23	S2	Stop button	SCHNEIDER	XB2BA22C	4.00VAC	1	YE11222000000	(1)	
24	S3,H1	Start button	SCHNEIDER	XB2BW33M1C	24 VAC	1	YE11233100000	(1)	
25		Contact block	SCHNEIDER	ZB2BE101C	1NO	1	YE00210103100	(1)(3)	
<b>机型版本: Ver.C</b> Notes: (1)Means it's not the material inside the control box.(2)Means optional accessories of full-receive alarm device.(3)Stand for optional safety relay.									
				Version	E	Title		D	
Drawer				Designer	Proofread by	SG-3060E		Scale	Page 16
Designer				Approved by	Electrical Components List 1		Standard	Totally 21	Pages
Proofread by				Checked by	SHINI		Voltage	4.00V	
Modified by				Modify date	信易塑料机械股份有限公司		Frequency	5.0Hz	
Before modification				20170523	Shini Plastics Technologies, Inc.				
1	2	3	4	5	6	7	8		



1		2		3		4		5		6		7		8		
NO.	Symbol	Name	Manufacturer	Type	Specification	Number	Material number	Remark								
																Scale
26	S4,S5	Safety switch	SCHMERSRC	AZ15-02ZVRK-1476	AZ-15	2	YE16147600100	(1)								
27	S4,S5	Safety switch	SCHMERSRC	AZ16-02ZVRK-1476	AZ-16	2	YE16147600000	(1)(3)								
28	H3	Buzzer	TEND	EA-2	24VAC	1	YE84240200000	(1)(2)								
29	MS	Material level sensor	SIPAI	SR-80	24VAC	1	YE15802400100	(1)(2)								
30	X10	Metal joint	APEX	PLT-254-PM	4P	1	YE68025400000	(1)(2)								
31			APEX	PLT-254-RF	4P	1	YE68025400100	(1)(2)								
32	M1	Granulating motor	----	15kW	400V 50Hz	1	-----	(1)								
A																
B																
C																
D																
<b>机型版本: Ver.C</b> Notes: (1)Means it's not the material inside the control box.(2)Means optional accessories of full-receive alarm device.(3)Stand for optional safety relay.																
				Drawer	Version	E	Title		SG-3060E		Drawing NO.		Scale	Page		
				Designer	Approved by	Electrical Components List 2		SG-23E/30E/36E-CE-400V-E-17		Standard	CE	Voltage		400V		
				Proofread by	Date	20170523						Frequency		50Hz		
Mark				Before modification	Modified by	Modify date										
 <b>信易塑料机械股份有限公司</b> <b>Shini Plastics Technologies, Inc.</b>																
1 2 3 4 5 6 7 8																

1	2		3	4	5	6	7	8
N0.	Symbol	Name	Manufacturer	Type	Specification	Number	Material number	Remark
1	Q1	Breaker interlock	ABB	A1A125TMF90/9003PFF	90A	1	YE41109200000	
2	K1,K2	Contact	SIEMENS	3RT6027-1AC20	24VAC	2	YE00602702600	
3	K3	Contact	SIEMENS	3RT6026-1AC20	24VAC	1	YE00602602600	A
4	K4	Contact	SIEMENS	3RT5036-1AN20	24VAC	1	YE00503602600	(3)
5		Auxiliary contact	SIEMENS	3RH5921-1CA01	1NC	1	YE00592110100	(3)
6	K5	Safety relay	PILZ	PN0Z*2.8P	24V AC/DC	1	YE04023000000	(3)
7	K6	Timer relay	YUYUN	TH3A-NAB	24VAC	1	YE86602400300	
8	F1	Overload relay	SIEMENS	3RU6126-4DB0	20-25A	1	YE01260200000	
9	FU1	Fuse	CHNT	RT18-32	2P	1	YE41032200000	
10		Fuse core	CHNT	10x38 500V 1A	2A	2	YE46002000100	
11	FU2	Fuse	YINDA	FS-10	-----	1	YE41001000000	B
12		Glass tube	-----	6x30	5A	1	YE46630500100	
13	T	Transformer	BAIYUN	IN=400V OUT=24V	120VA	1	YE70402300800	
14	X1	Terminal	HONEYWELL	6.0mm <sup>2</sup>	-----	3	YE60000603200	
15			HONEYWELL	6.0mm <sup>2</sup> PE	-----	1	YE60000603500	
16			HONEYWELL	4.0mm <sup>2</sup>	-----	6	YE60000403200	
17			HONEYWELL	4.0mm <sup>2</sup> PE	-----	1	YE60000403500	
18	X2	Terminal	HONEYWELL	2.5mm <sup>2</sup>	-----	4	YE60002503200	
19			HONEYWELL	2.5mm <sup>2</sup>	-----	4	YE60002503200	C
20	X3	Terminal	HONEYWELL	2.5mm <sup>2</sup>	-----	4	YE60002503200	(2)
21	S1	Emergency stop button	SCHNEIDER	XB2BS542C	4.00VAC	1	YE11254200000	(1)
22		Contact block	SCHNEIDER	ZB2BE102C	1NC	1	YE00210203100	(1)(3)
23	S2	Stop button	SCHNEIDER	XB2BA22C	4.00VAC	1	YE11222000000	(1)
24	S3,H1	Start button	SCHNEIDER	XB2BW33M1C	24VAC	1	YE11233100000	(1)
25		Contact block	SCHNEIDER	ZB2BE101C	1NO	1	YE00210103100	(1)(3)
<b>机型版本: Ver.B</b> Notes: (1)Means it's not the material inside the control box.(2)Means optional accessories of full-receive alarm device.(3)Stand for optional safety relay.								
				Title		Drawing NO		Page
				SG-3650E		SG-23E/30E/36E-CE-400V-E-18		18
				Electrical Components List 1		CE		21
				Version		Scale		Page
				E				18
				Designer		Standard		Pages
				Proofread by		Voltage		400V
				Approved by		Frequency		50Hz
				Checked by				
				Date				
				20170523				
1	2		3	4	5	6	7	8
Mark	Before modification	Modified by	Modify date					





1	2		3	4	5	6	7	8
NO.	Symbol	Name	Manufacturer	Type	Specification	Number	Material number	Remark
1	Q1	Breaker interlock	ABB	A1A125TMF125/12503PFF	125A	1	YE4.11614.00000	
2	K1K2	Contact	SIEMENS	3RT5035-1AC20	24VAC	2	YE00503502600	
3	K3	Contact	SIEMENS	3RT6028-1AC20	24VAC	1	YE00602802600	
4		Auxiliary contact	SIEMENS	3RH5921-1CA10	1N0	2	YE00592110000	
5		Auxiliary contact	SIEMENS	3RH5921-1CA01	1NC	2	YE00592110100	
6	K4	Contact	SIEMENS	3RT5045-1AC20	24VAC	1	YE00504502600	(3)
7		Auxiliary contact	SIEMENS	3RH5921-1CA01	1NC	2	YE00592110100	(3)
8	K5	Safety relay	PILZ	PNOZ×2.8P	24V AC/DC	1	YE04023000000	(3)
9	K6	Timer relay	YUYUN	TH3A-NAB	24VAC	1	YE86602400300	
10	F1	Overload relay	SIEMENS	3RU136-4FB0	28-40A	1	YE01513600100	
11	FU1	Fuse	CHNT	RT18-32	2P	1	YE4.10322000000	
12		Fuse core	CHNT	10×38 500V 1A	2A	2	YE46002000100	
13	FU2	Fuse	YINDA	FS-10	-----	1	YE41001000000	
14		Glass tube	-----	6×30	5A	1	YE46630500100	
15	T	Transformer	BAIYUN	IN=400V OUT=24V	120VA	1	YE704.023000800	
16	X1	Terminal	HONEYWELL	16mm <sup>2</sup> PE	-----	1	YE60001603500	
17			HONEYWELL	6mm <sup>2</sup>	-----	6	YE60000603200	
18			HONEYWELL	6mm <sup>2</sup> PE	-----	1	YE60000603500	
19	X2	Terminal	HONEYWELL	2.5mm <sup>2</sup>	-----	4	YE60002503200	
20			HONEYWELL	2.5mm <sup>2</sup>	-----	4	YE60002503200	(3)
21	X3	Terminal	HONEYWELL	2.5mm <sup>2</sup>	-----	4	YE60002503200	(2)
22	S1	Emergency stop button	SCHNEIDER	XB2BS542C	400VAC	1	YE11254.2000000	(1)
23		Contact block	SCHNEIDER	ZB2BE102C	1NC	1	YE00210203100	(1)(3)
24	S2	Stop button	SCHNEIDER	XB2BA22C	400VAC	1	YE11222000000	(1)
25	S3,H1	Start button	SCHNEIDER	XB2BW33M1C	24VAC	1	YE11233100000	(1)
<b>机型版本: Ver.B</b> Notes: (1)Means it's not the material inside the control box.(2)Means optional accessories of full-receive alarm device.(3)Stand for optional safety relay.								
				Title		Drawing NO.		Page
				SG-3675E		SG-23E/30E/36E-CE-400V-E-Z0		20
				Electrical Components List 1		CE		21
				Version		Scale		Voltage
				E				400V
				Designer		Approved by		Frequency
				Proofread by		Checked by		50HZ
				Modified by		Date		
				Modify date		20170523		
Mark	Before modification	After modification	Modified by	Modify date	Checked by	Date	20170523	
1	2	3	4	5	6	7	8	



1		2		3		4		5		6		7		8	
NO.	Symbol	Name	Manufacturer	Type	Specification	Number	Material number	Remark							
26		Contact block	SCHNEIDER	ZB2BE101C	INO	1	YE00210103100	(1)(3)							
27	H3	Buzzer	TEND	EA-2	24VAC	1	YE84240200000	(1)(2)							
28	S4,S5	Safety switch	SCHMERSRC	AZ15-02ZVRK-1476	AZ-15	2	YE16147600100	(1)							
29	S4,S5	Safety switch	SCHMERSRC	AZ16-02ZVRK-1476	AZ-16	2	YE16147600000	(1)(3)							
30	MS	Material level sensor	SIPAI	SR-80	24VAC	1	YE15802400100	(1)(2)							
31	X10	Metal joint	APEX	PLT-254-PM	4P	1	YE68025400000	(1)(2)							
32			APEX	PLT-254-RF	4P	1	YE68025400100	(1)(2)							
33	M1	Granulating motor	-----	30kW	400V 50Hz	1	-----	(1)							
A															
B															
C															
D															
<b>机型版本: Ver.B</b> Notes: (1)Means it's not the material inside the control box.(2)Means optional accessories of full-receive alarm device.(3)Stand for optional safety relay.															
		Title		Version		E		Scale		Page		21		8	
		SG-3675E		Electrical Components List 2		SG-23E/30E/36E-CE-4.00V-E-21		Standard		CE		Voltage		4.00V	
		SHINI		SHINI		SHINI		SHINI		SHINI		SHINI		SHINI	
		信易塑料机械股份有限公司		Shini Plastics Technologies, Inc.		Shini Plastics Technologies, Inc.		Shini Plastics Technologies, Inc.		Shini Plastics Technologies, Inc.		Shini Plastics Technologies, Inc.		Shini Plastics Technologies, Inc.	
Mark		Before modification		Modified by		Modify date		Checked by		Date		20170523		50Hz	
1		2		3		4		5		6		7		8	