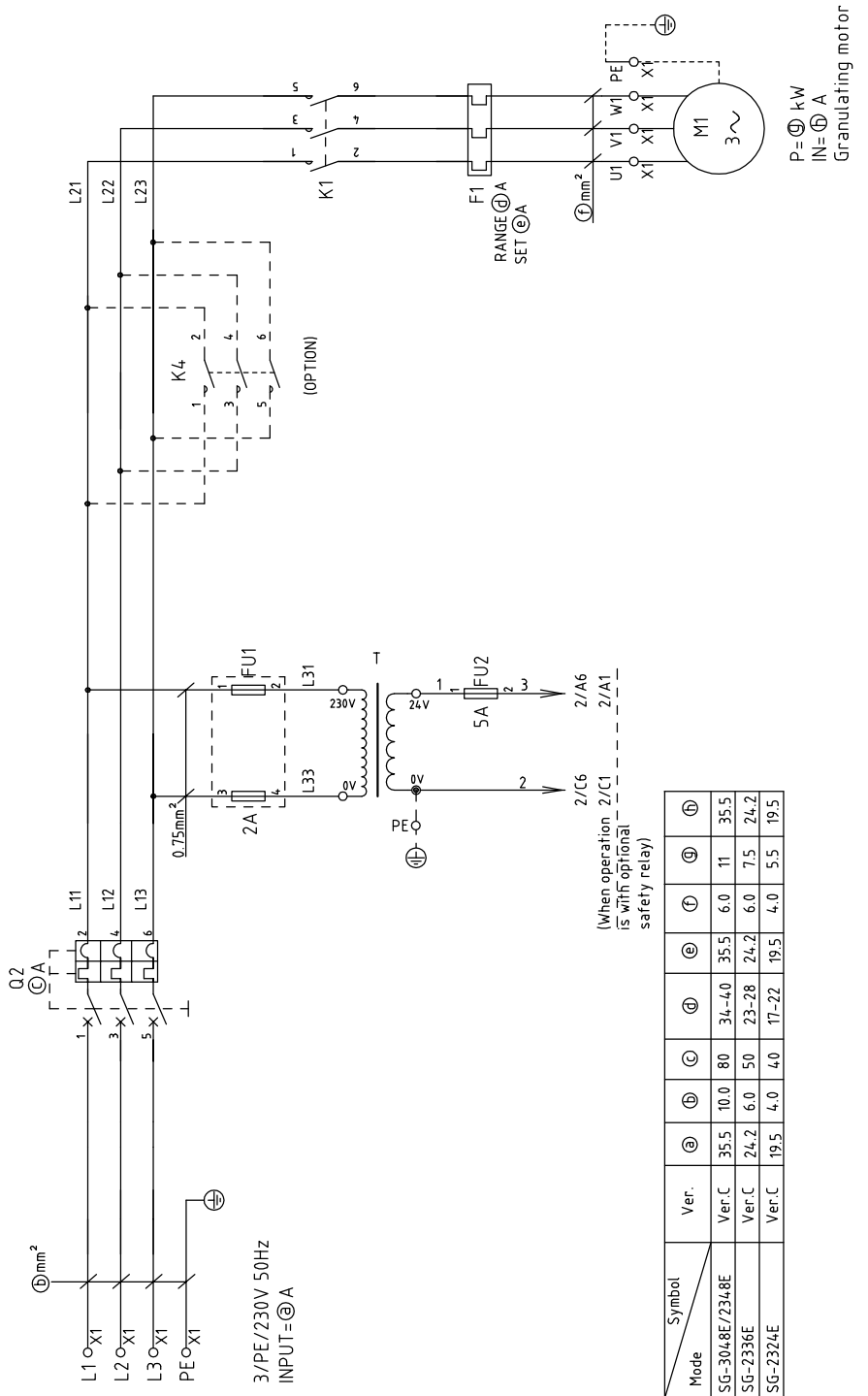


1 2 3 4 5 6 7 8

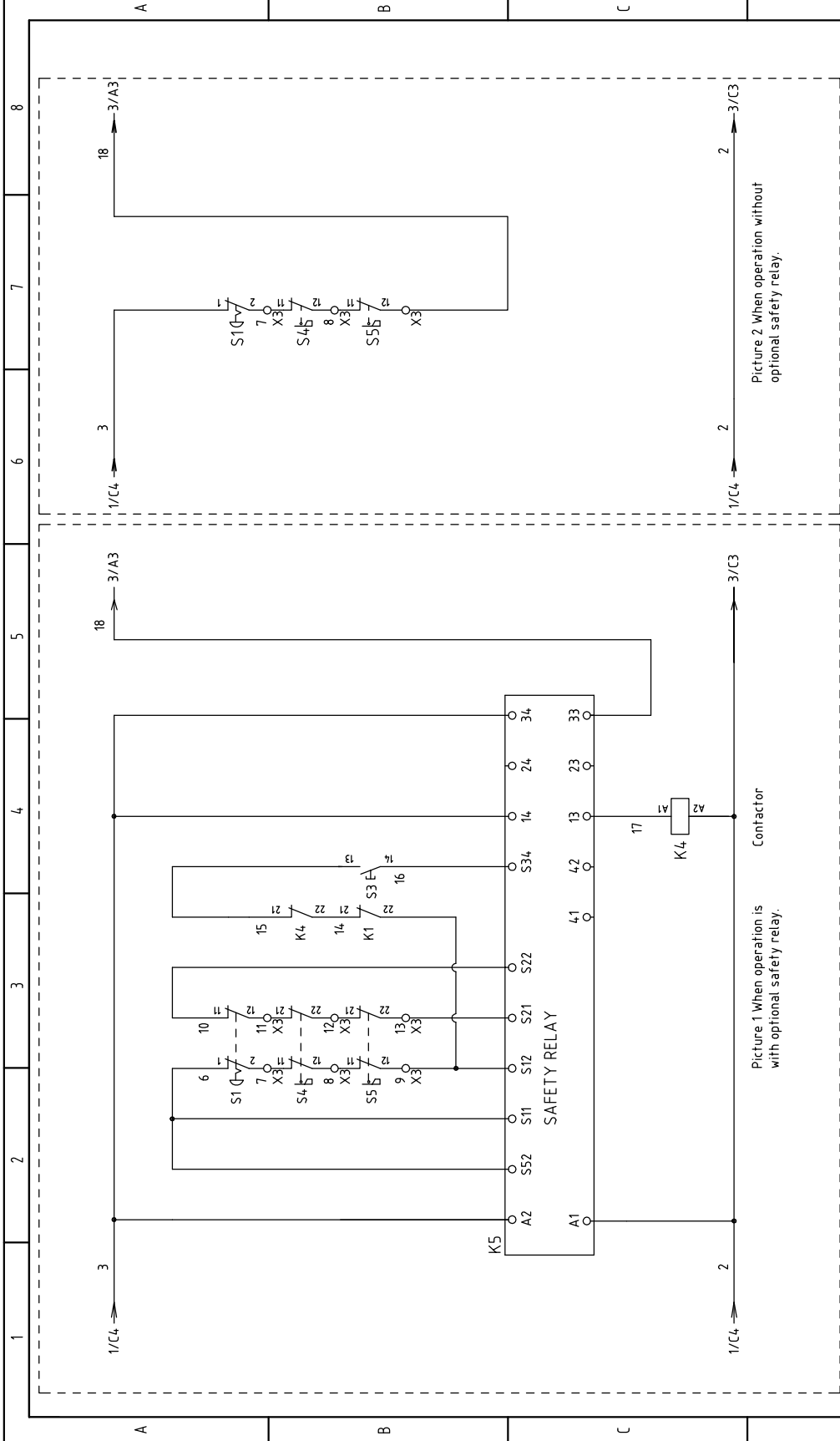


Mode	Symbol	Ver.	Ⓜ	Ⓜ	Ⓜ	Ⓜ	Ⓜ	Ⓜ	Ⓜ
SG-304.8E/234.8E	Ver.C	35.5	10.0	80	34-40	35.5	6.0	11	35.5
SG-2336E	Ver.C	24.2	6.0	50	23-28	24.2	6.0	7.5	24.2
SG-2324E	Ver.C	19.5	4.0	40	17-22	19.5	4.0	5.5	19.5

(When operation is with optional safety relay)

Title		SG-23E/304.8E		Drawing NO.		Page 1	
Main Circuit Diagram		SG-23E/30E/36E-CE-230V-E-1		Standard		Totally 21 Pages	
Version		E		Scale		Voltage	
Approved by		Date		Standard		Frequency	
20170523		20170523		CE		230V	
Mark		Before modification		After modification		50Hz	
Modified by		Modify date		Checked by		8	
1		2		3		4	
5		6		7		8	

**SHINI**  
 信易電熱機械股份有限公司  
 Shini Plastics Technologies, Inc.

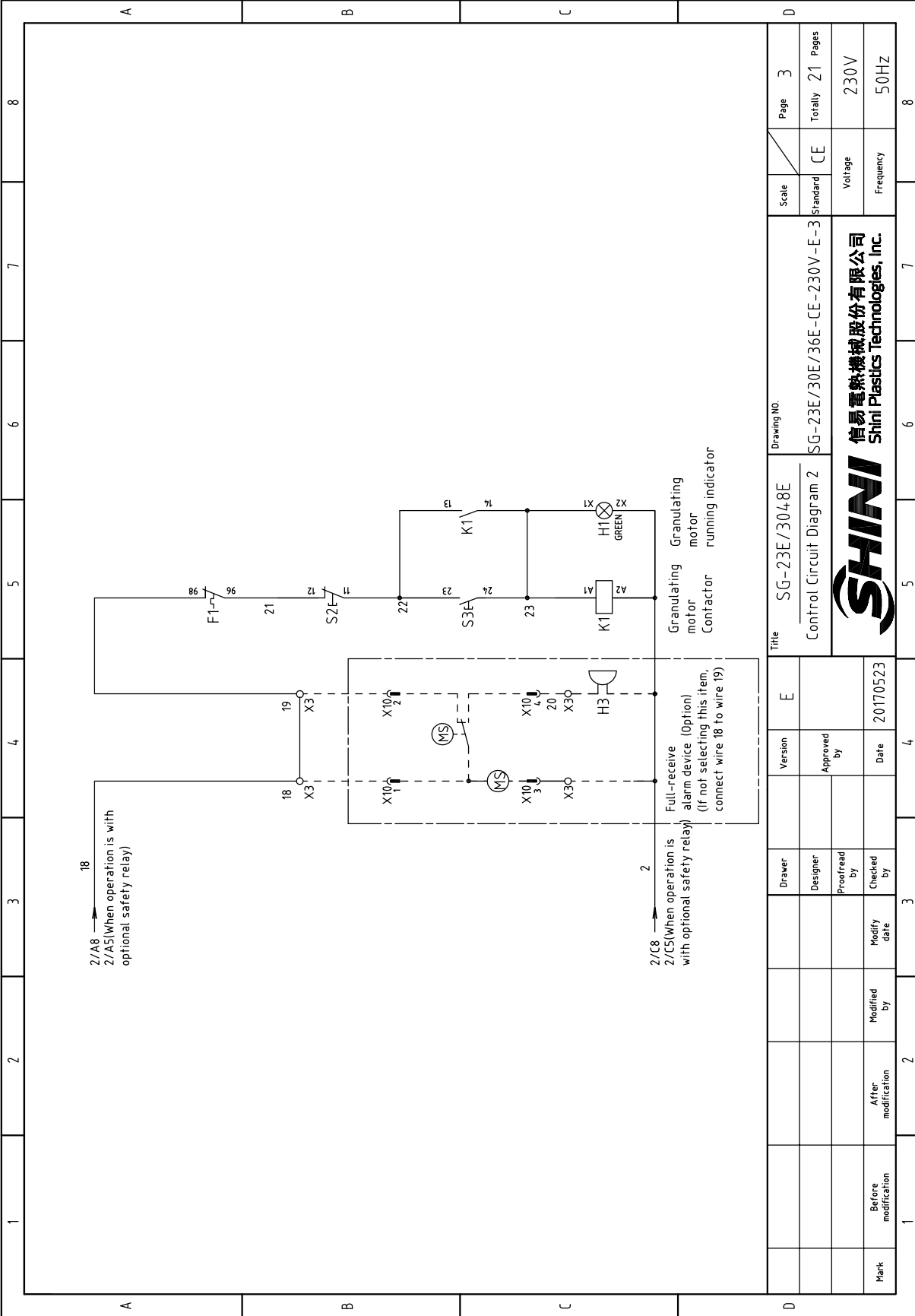


Picture 1 When operation is with optional safety relay.

Picture 2 When operation without optional safety relay.

Title		SG-23E/3048E		Version		E	
Drawing NO.		SG-23E/30E/36E-CE-230V-E-2		Approved by			
Scale		CE		Checked by		20170523	
Standard		Voltage		Modified by		Mark	
Page 2		Frequency		Before modification		After modification	
Totally 21		230V		Modify date		Date	
Pages		50HZ		Date		Date	





2/A8 →  
2/A5 (When operation is with optional safety relay)

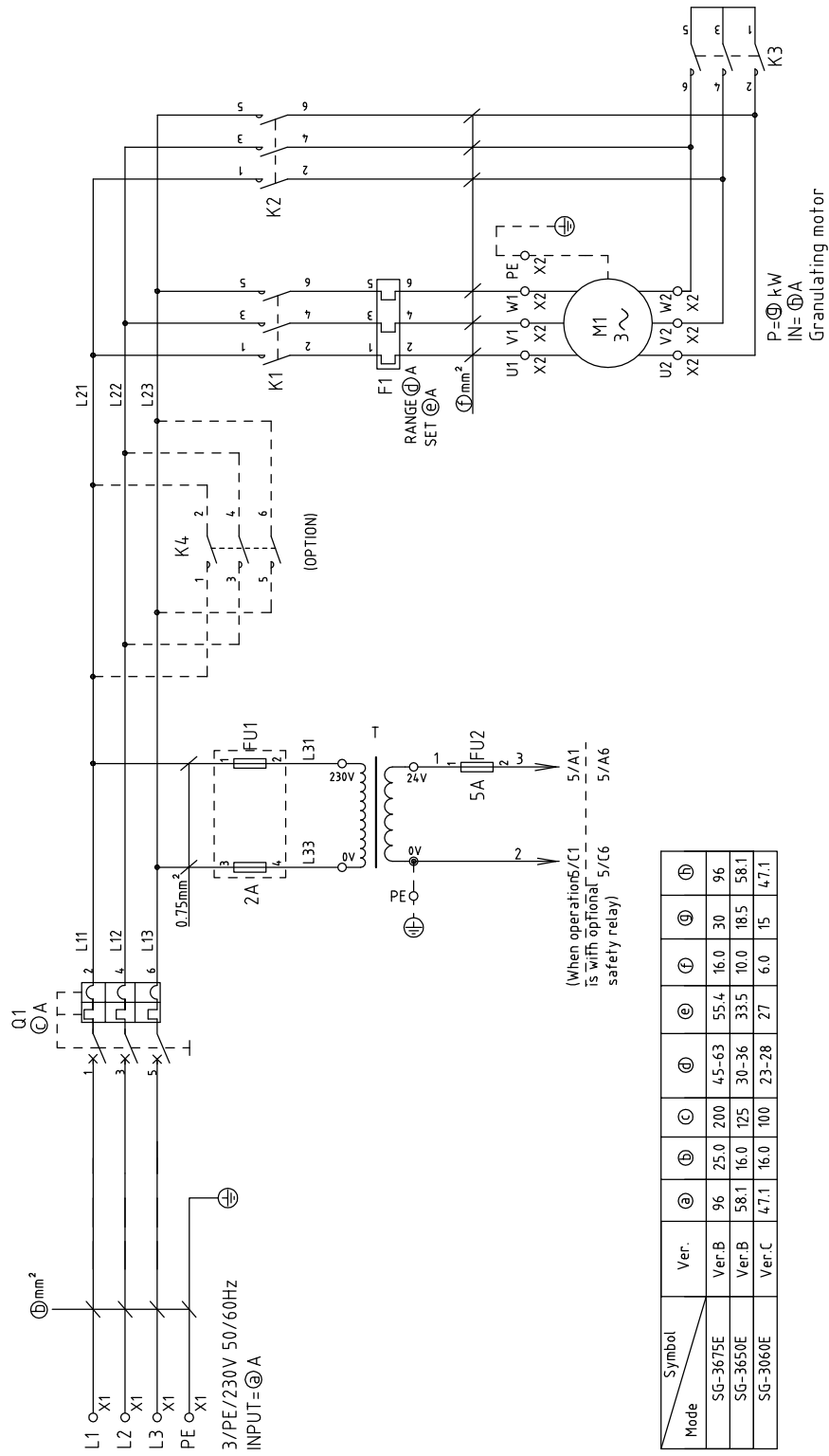
2/C8 →  
2/C5 (When operation is with optional safety relay)

Full-receive alarm device (Optional)  
(If not selecting this item, connect wire 18 to wire 19)

Granulating motor  
Granulating motor running indicator

Title		SG-23E/3048E		Drawing NO.		Scale		Page	
Control Circuit Diagram 2		SG-23E/30E/36E-CE-230V-E-3		Standard		CE		3	
Version		E		Standard		Voltage		230V	
Approved by				Frequency		50Hz		Totally 21 Pages	
Date		20170523							
Drawer				Before modification		After modification		Modify date	
Designer				Mark					
Proofread by									
Checked by									



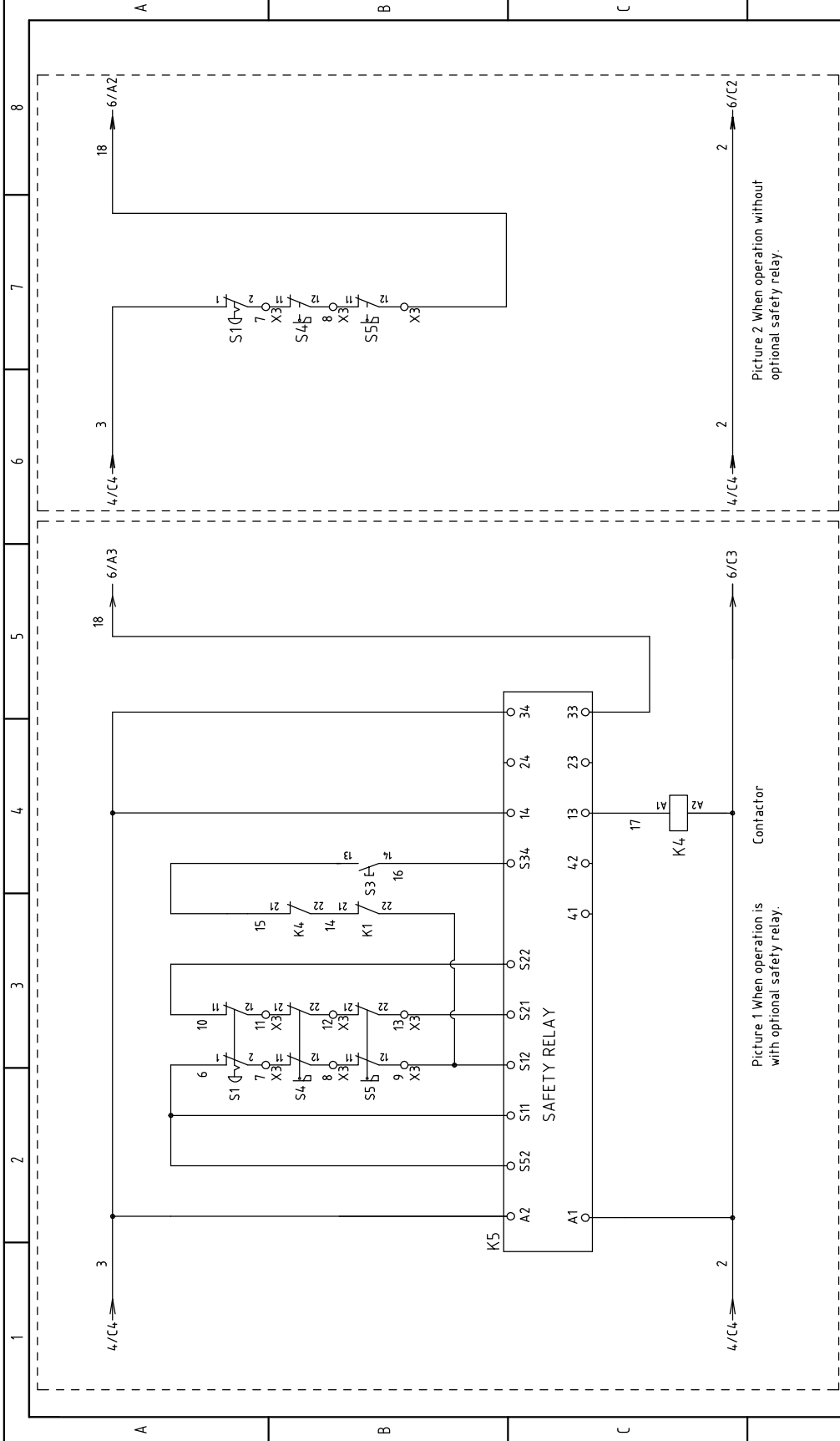


Mode	Symbol	Ver.	③	④	⑤	⑥	⑦	⑧	⑨
SG-3675E	Ver.B	96	25.0	200	4.5-6.3	55.4	16.0	30	96
SG-3650E	Ver.B	58.1	16.0	125	30-36	33.5	10.0	18.5	58.1
SG-3060E	Ver.C	47.1	16.0	100	23-28	27	6.0	15	47.1

(When operation B/C1 is with optional safety relay) 5/A1 5/A6

Title		Drawing NO.		Scale	Page
SG-3060E/36E		SG-23E/30E/36E-CE-230V-E-4		Standard	4
Main Circuit Diagram		CE		Totally 21	Pages
		Voltage		230V	
		Frequency		50Hz	
Mark	Before modification	After modification	Modified by	Modify Date	Date
					20170523
Version		Drawer	Designer	Proffread by	Checked by
E					
Approved by		Date		4	
		20170523		3	
Date		3		2	
Date		2		1	



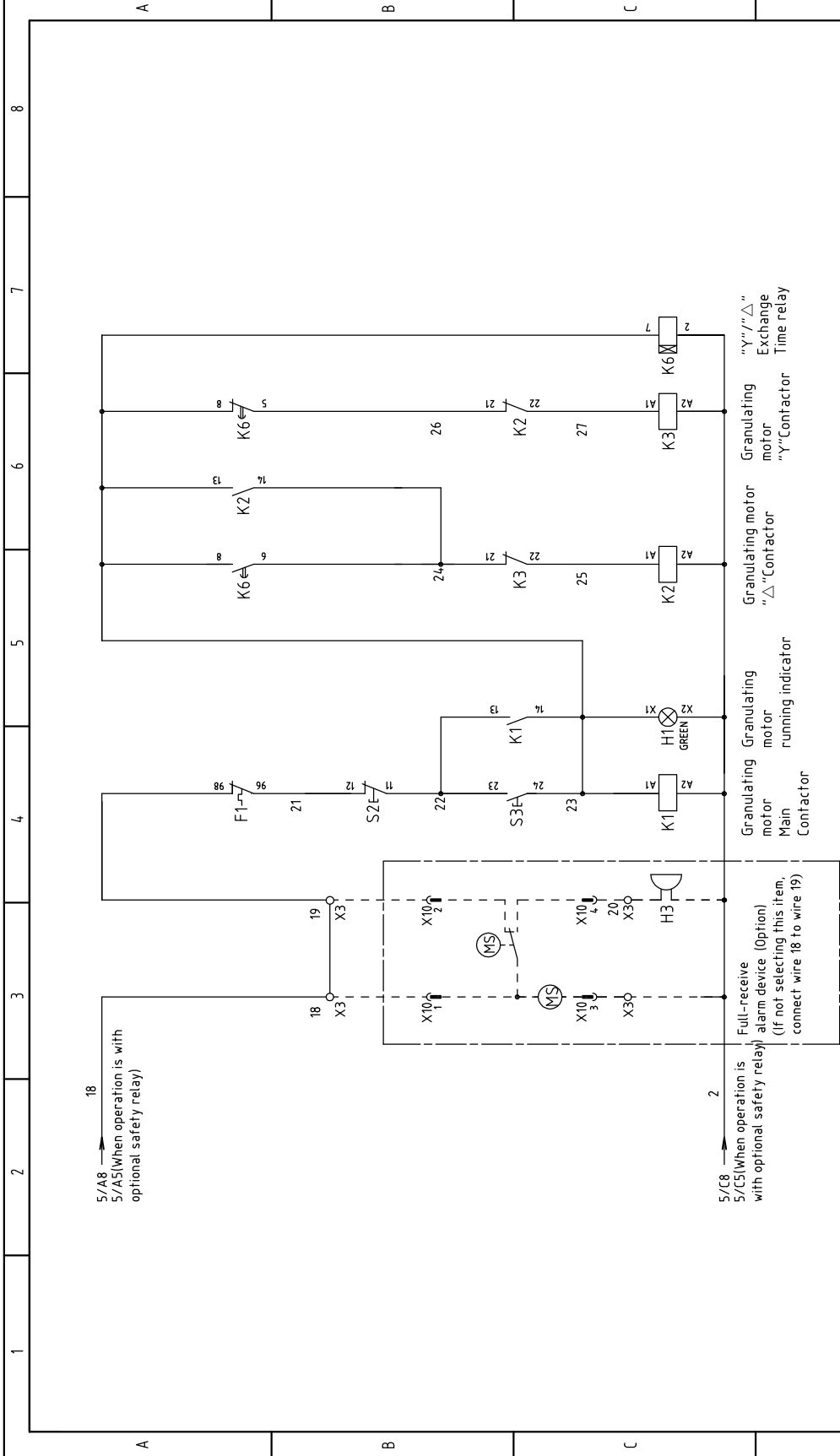


Picture 1 When operation is with optional safety relay.

Picture 2 When operation without optional safety relay.

Mark		Before modification	After modification	Modified by	Modify date	Checked by	Date	20170523
Designer		Approved by						
Drawer		Version						
Title		SG-3060E/36E		E				
Drawing NO.		SG-23E/30E/36E-CE-230V-E-5						
Scale	Page	Standard	CE	Voltage		230V		
	5			Frequency		50HZ		
Totally		21		Pages				
Page		5						





Title		SG-3060E/36E		Drawing NO.		Page 6	
Version		E		Standard		CE	
Designer		Approved by		Standard		Voltage	
Proofread by		Date		Standard		Frequency	
Checked by		Date		Standard		Voltage	
Modified by		Date		Standard		Frequency	
Before modification		Date		Standard		Voltage	
Mark		Date		Standard		Frequency	
1		2		3		4	
5		6		7		8	
9		10		11		12	
13		14		15		16	
17		18		19		20	
21		22		23		24	
25		26		27		28	
29		30		31		32	
33		34		35		36	
37		38		39		40	
41		42		43		44	
45		46		47		48	
49		50		51		52	
53		54		55		56	
57		58		59		60	
61		62		63		64	
65		66		67		68	
69		70		71		72	
73		74		75		76	
77		78		79		80	
81		82		83		84	
85		86		87		88	
89		90		91		92	
93		94		95		96	
97		98		99		100	
101		102		103		104	
105		106		107		108	
109		110		111		112	
113		114		115		116	
117		118		119		120	
121		122		123		124	
125		126		127		128	
129		130		131		132	
133		134		135		136	
137		138		139		140	
141		142		143		144	
145		146		147		148	
149		150		151		152	
153		154		155		156	
157		158		159		160	
161		162		163		164	
165		166		167		168	
169		170		171		172	
173		174		175		176	
177		178		179		180	
181		182		183		184	
185		186		187		188	
189		190		191		192	
193		194		195		196	
197		198		199		200	
201		202		203		204	
205		206		207		208	
209		210		211		212	
213		214		215		216	
217		218		219		220	
221		222		223		224	
225		226		227		228	
229		230		231		232	
233		234		235		236	
237		238		239		240	
241		242		243		244	
245		246		247		248	
249		250		251		252	
253		254		255		256	
257		258		259		260	
261		262		263		264	
265		266		267		268	
269		270		271		272	
273		274		275		276	
277		278		279		280	
281		282		283		284	
285		286		287		288	
289		290		291		292	
293		294		295		296	
297		298		299		300	
301		302		303		304	
305		306		307		308	
309		310		311		312	
313		314		315		316	
317		318		319		320	
321		322		323		324	
325		326		327		328	
329		330		331		332	
333		334		335		336	
337		338		339		340	
341		342		343		344	
345		346		347		348	
349		350		351		352	
353		354		355		356	
357		358		359		360	
361		362		363		364	
365		366		367		368	
369		370		371		372	
373		374		375		376	
377		378		379		380	
381		382		383		384	
385		386		387		388	
389		390		391		392	
393		394		395		396	
397		398		399		400	
401		402		403		404	
405		406		407		408	
409		410		411		412	
413		414		415		416	
417		418		419		420	
421		422		423		424	
425		426		427		428	
429		430		431		432	
433		434		435		436	
437		438		439		440	
441		442		443		444	
445		446		447		448	
449		450		451		452	
453		454		455		456	
457		458		459		460	
461		462		463		464	
465		466		467		468	
469		470		471		472	
473		474		475		476	
477		478		479		480	
481		482		483		484	
485		486		487		488	
489		490		491		492	
493		494		495		496	
497		498		499		500	
501		502		503		504	
505		506		507		508	
509		510		511		512	
513		514		515		516	
517		518		519		520	
521		522		523		524	
525		526		527		528	
529		530		531		532	
533		534		535		536	
537		538		539		540	
541		542		543		544	
545		546		547		548	
549		550		551		552	
553		554		555		556	
557		558		559		560	
561		562		563		564	
565		566		567		568	
569		570		571		572	
573		574		575		576	
577		578		579		580	
581		582		583		584	
585		586		587		588	
589		590		591		592	
593		594		595		596	
597		598		599		600	
601		602		603		604	
605		606		607		608	
609		610		611		612	
613		614		615		616	
617		618		619		620	
621		622		623		624	
625		626		627		628	
629		630		631		632	
633		634		635		636	
637		638		639		640	
641		642		643		644	
645		646		647		648	
649		650		651		652	
653		654		655		656	
657		658		659		660	
661		662		663		664	
665		666		667		668	
669		670		671		672	
673		674		675		676	
677		678		679		680	
681		682		683		684	
685		686		687		688	
689		690		691		692	
693		694		695		696	
697		698		699		700	
701		702		703		704	
705		706		707		708	
709		710		711		712	
713		714		715		716	
717		718		719		720	
721		722		723		724	
725		726		727		728	
729		730		731		732	
733		734		735		736	
737		738		739		740	
741		742		743		744	
745		746		747		748	
749		750		751		752	
753		754		755		756	
757		758		759		760	
761		762		763		764	
765		766		767		768	
769		770		771		772	
773		774		775		776	
777		778		779		780	
781		782		783		784	
785		786		787		788	
789		790		791		792	
793		794		795		796	
797		798		799		800	
801		802		803		804	
805		806		807		808	
809		810		811		812	
813		814		815		816	
817		818		819		820	
821		822		823		824	
825		826		827		828	
829		830		831		832	
833		834		835		836	
837		838		839		840	
841		842		843		844	
845		846		847		848	
849		850		851		852	
853		854		855		856	
857		858		859		860	
861		862		863		864	
865							

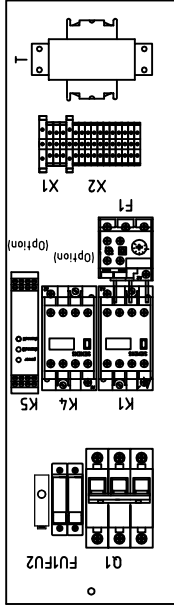
1 2 3 4 5 6 7 8

A

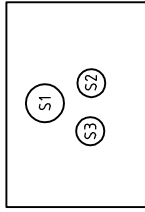
B

C

D

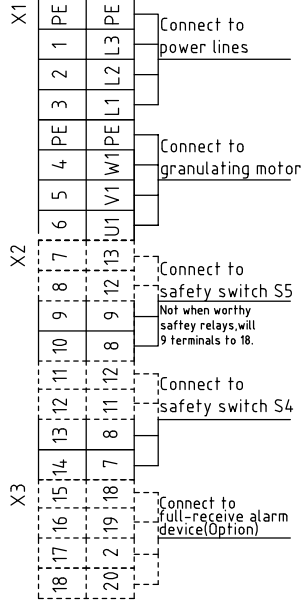
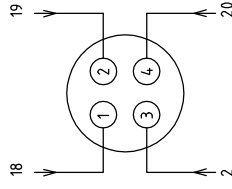


SG-23E



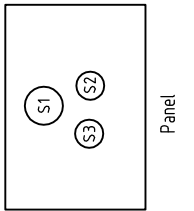
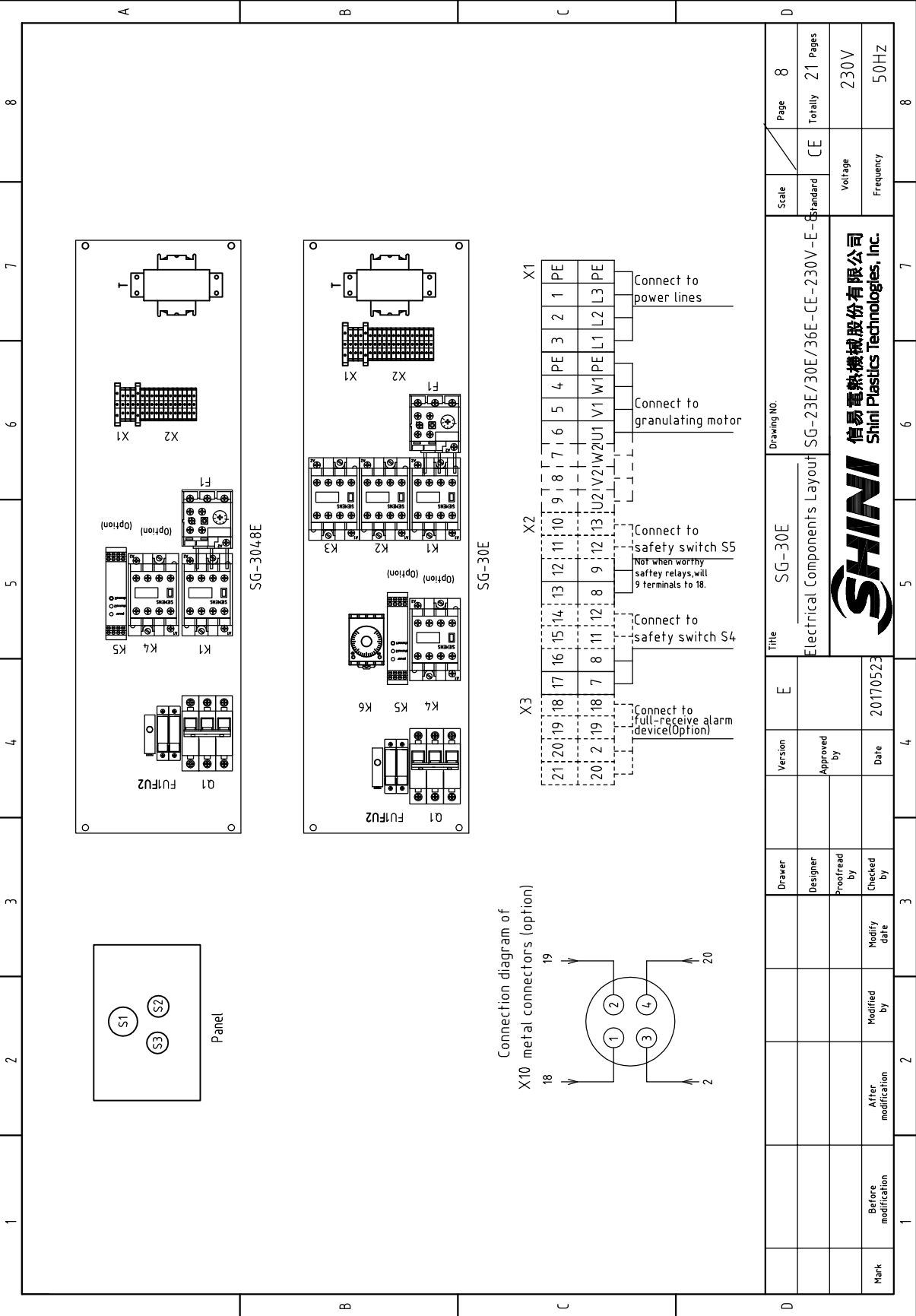
Panel

Connection diagram of X10 metal connectors (option)



Title		SG-23E		Drawing NO.		Page 7	
Version		E		Standard		CE	
Designer		Approved by		Voltage		230V	
Proofread by		Date		Frequency		50Hz	
Checked by		20170523		Totally		21 Pages	
Modified by		Modify date		Voltage		230V	
After modification				Frequency		50Hz	
Before modification				Title		Electrical Components Layout SG-23E/36E-CE-230V-E-7	
Mark				SHINI		信易塑料机械股份有限公司 Shini Plastics Technologies, Inc.	

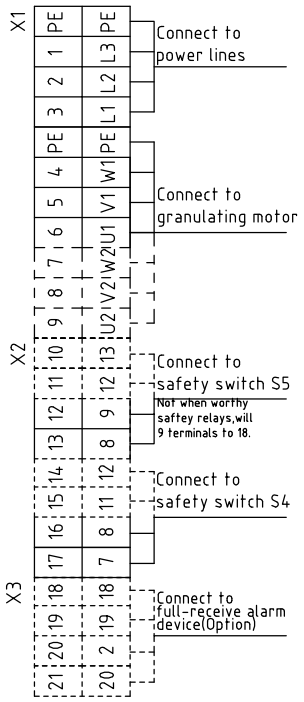
1 2 3 4 5 6 7 8



SG-3048E

SG-30E

Connection diagram of X10 metal connectors (option)

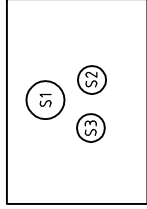


Mark	Before modification	After modification	Modified by	Modify date	Checked by	Proofread by	Designer	Drawer	Version	E	Title	SG-30E	Drawing No.	Scale	Page	8			
				20170523					Approved by		Electrical Components Layout	SG-23E/30E/36E-CE-230V-E-8		Standard	Totally	21			
																	Pages		
																		Voltage	
																			Frequency

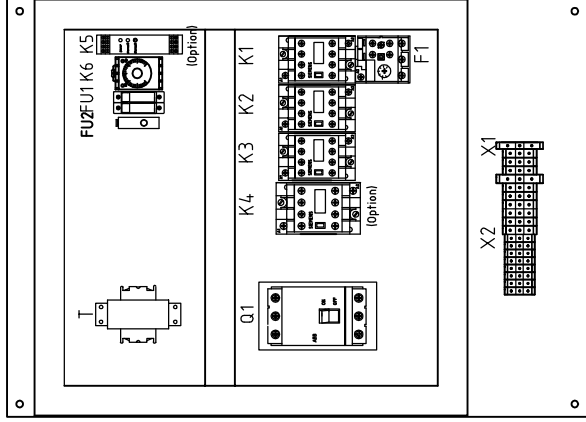




1 2 3 4 5 6 7 8

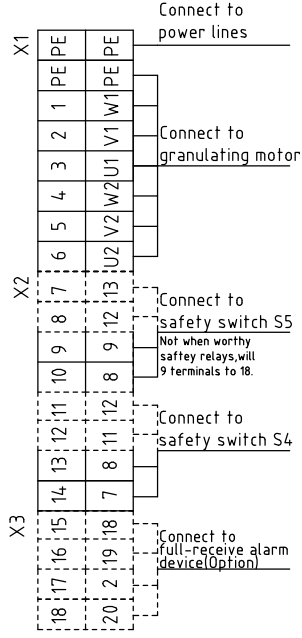
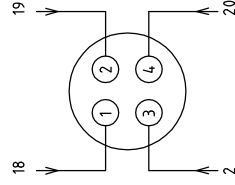


Panel



SG-36E


Connection diagram of X10 metal connectors (option)



Title		SG-36E		Drawing No.		Scale	Page	9
Electrical Components Layout		SG-23E/30E/36E-CE-230V-E-S		Standard		CE	Totally	21 Pages
Version		E		Approved by		Voltage		230V
Drawer				Proofread by		Frequency		50Hz
Date		20170523		Checked by		Before modification		
Date				Modified by		After modification		
Date				Modify date				
Mark								



1 2 3 4 5 6 7 8

1	2		3	4	5	6	7	8
NO.	Symbol	Name	Manufacturer	Type	Specification	Number	Material number	Remark
1	Q1	Circuit breaker	TECO	BM-63C/3P	40A	1	YE40304003000	
2	K1	Contact	SIEMENS	3RT16026-1AC20	24VAC	1	YE00602602600	
3	K4	Contact	SIEMENS	3RT16026-1AC20	24VAC	1	YE00602602600	(3)
4	K5	Safety realy	PILZ	PNOZx2.8P	24V AC/DC	1	YE04023000000	(3)
5	F1	Overload relay	SIEMENS	3RU16126-4CB0	17-22A	1	YE01260170000	
6	FU1	Fuse	CHNT	RT18-32	2P	1	YE41032200000	
7		Fuse core	CHNT	10x38 500V 2A	2A	2	YE46002000100	
8	FU2	Fuse	YINDA	FS-10	-----	1	YE41001000000	
9		Glass tube	-----	6x30	5A	1	YE46630500100	
10	T	Transformer	BAIYUN	IN=230V/OUT= 24V	120VA	1	YE70023005500	
11	X1	Terminal	Honeywell	4.0mm <sup>2</sup>	-----	6	YE60000403200	
12			Honeywell	4.0mm <sup>2</sup> PE	-----	2	YE60000403500	
13	X2	Terminal	Honeywell	2.5mm <sup>2</sup>	-----	4	YE60002503200	(3)
14			Honeywell	2.5mm <sup>2</sup>	-----	4	YE60002503200	(3)
15	X3	Terminal	Honeywell	2.5mm <sup>2</sup>	-----	4	YE60002503200	(2)
16	S1	Emergency stop button	SCHNEIDER	XB2BS542C	400VAC	1	YE11254200000	(1)
17		Contact block	SCHNEIDER	ZB2BE102C	1NC	1	YE00210203100	(1)(3)
18	S2	Stop bolton	SCHNEIDER	XB2BA22C	400VAC	1	YE11222000000	(1)
19	S3,H1	Start button	SCHNEIDER	XB2BW33B1C	24VAC	1	YE11233100000	(1)
20		Contact block	SCHNEIDER	ZB2BE101C	1NO	1	YE00210103100	(1)(3)
21	S4,S5	Safety switch	SCHMERSRC	AZ15-02ZYRK-14.76	AZ-15	2	YE1614.7600100	(1)
22	S4,S5	Safety switch	SCHMERSRC	AZ16-02ZYRK-14.76	AZ-16	2	YE1614.7600000	(1)(3)
23	H3	Buzzer	TEND	EA-2	24VAC	1	YE84240200000	(1)(2)
24	MS	Material level sensor	SIPAI	SR-80	24VAC	1	YE15802400100	(1)(2)
25	X10	Metal joint	APEX	PLT-254-PM	4P	1	YE68025400000	(1)(2)
<b>机型版本: Ver.C</b> Notes: (1)Means it's not the material inside the control box.(2)Means optional accessories of full-receive alarm device.(3)Stand for optional safety relay.								
				Version	E	Drawing NO		Page
				Designer		SG-2324E		10
				Proofread by		Electrical Components List 1		CE
				Checked by		SG-23E/30E/36E-CE-230V-E-10		Totally 21
				Modified by		 <b>信易塑料机械股份有限公司</b> <b>Shini Plastics Technologies, Inc.</b>		Voltage
				Modify date	20170523			Frequency
				Before modification				230V
				After modification				50HZ
1	2		3	4	5	6	7	8

1		2		3		4		5		6		7		8	
No.	Symbol	Name	Manufacturer	Type	Specification	Number	Material number	Remark							
26			APEX	PLT-254-RF	4P	1	YE68025400100	(1)(2)							
27	M1	Granulating motor	-----	5.5kW	230V 50Hz	1	-----	(1)							
A															
B															
C															
D															
<b>机型版本: Ver.C</b> Notes: (1)Means it's not the material inside the control box.(2)Means optional accessories of full-receive alarm device.(3)Stand for optional safety relay.															
		Title		Version		E		SG-2324E		Drawing NO.		Scale		Page 11	
		Electrical Components List 2		Approved by				SG-23E/30E/36E-CE-230V-E-11		Standard		CE		Totally 21 Pages	
		20170523		Date				SHINI		Voltage		230V		Frequency	
		20170523		Date				信易塑料机械股份有限公司		Frequency		50Hz			
		20170523		Date				SHINI		Voltage		230V		Frequency	
		20170523		Date				SHINI		Frequency		50Hz			
Mark Before modification After modification Modified by Modify date Checked by Proofread by Designer Approved by Date 20170523															
1 2 3 4 5 6 7 8															

1		2		3		4		5		6		7		8	
NO.	Symbol	Name	Manufacturer	Type	Specification	Number	Material number	Remark							
1	Q1	Circuit breaker	TECO	BM-63C/3P	50A	1	YE40305003000								
2	K1	Contact	SIEMENS	3RT6028-1AC20	24VAC	1	YE00602802600								
3	K4	Contact	SIEMENS	3RT6028-1AC20	24VAC	1	YE00602802600	(3)							
4	K5	Safety realy	PILZ	PNOZx2.8P	24V AC/DC	1	YE04023000000	(3)							
5	F1	Overload relay	SIEMENS	3RU6126-4NB0	23-28A	1	YE01612620000								
6	FU1	Fuse	CHNT	RT18-32	2P	1	YE41032200000								
7		Fuse core	CHNT	10x38 500V 2A	2A	2	YE46002000100								
8	FU2	Fuse	YINDA	FS-10	-----	1	YE41001000000								
9		Glass tube	-----	6x30	5A	1	YE46630500100								
10	T	Transformer	BAIJUN	IN=230V/OUT= 24V	120VA	1	YE70023005500								
11	X1	Terminal	Honeywell	6.0mm <sup>2</sup>	-----	6	YE60000603200								
12			Honeywell	6.0mm <sup>2</sup> PE	-----	2	YE60000603500								
13	X2	Terminal	Honeywell	2.5mm <sup>2</sup>	-----	4	YE60002503200	(3)							
14			Honeywell	2.5mm <sup>2</sup>	-----	4	YE60002503200	(3)							
15	X3	Terminal	Honeywell	2.5mm <sup>2</sup>	-----	4	YE60002503200	(2)							
16	S1	Emergency stop button	SCHNEIDER	XB2BS542C	400VAC	1	YE11254200000	(1)							
17		Contact block	SCHNEIDER	ZB2BE102C	1NC	1	YE00210203100	(1)(3)							
18	S2	Stop botton	SCHNEIDER	XB2BA22C	400VAC	1	YE11222000000	(1)							
19	S3,H1	Start button	SCHNEIDER	XB2BW33B1C	24VAC	1	YE11233100000	(1)							
20		Contact block	SCHNEIDER	ZB2BE101C	1NO	1	YE00210103100	(1)(3)							
21	S4,S5	Safety switch	SCHMERSRC	AZ15-02ZVRK-1476	AZ-15	2	YE16147600100	(1)							
22	S4,S5	Safety switch	SCHMERSRC	AZ16-02ZVRK-1476	AZ-16	2	YE16147600000	(1)(3)							
23	H3	Buzzer	TEND	EA-2	24VAC	1	YE84240200000	(1)(2)							
24	MS	Material level sensor	SIPAI	SR-80	24VAC	1	YE15802400100	(1)(2)							
25	X10	Metal joint	APEX	PLT-254-PM	4P	1	YE68025400000	(1)(2)							
<b>机型版本: Ver.C</b> Notes: (1)Means it's not the material inside the control box.(2)Means optional accessories of full-receive alarm device.(3)Stand for optional safety relay.															
		Drawer		Version		E		Title		Drawing NO.		Scale		Page 12	
		Designer		Approved by				SG-2336E		SG-23E/30E/36E-CE-230V-E-12		Standard		CE	
		Proofread by		Date		20170523		Electrical Components List 1				Voltage		230V	
		Checked by		Date								Frequency		50HZ	
Mark		Before modification		Modified by		Modify date									
1		2		3		4		5		6		7		8	



1		2		3		4		5		6		7		8	
NO.	Symbol	Name	Manufacturer	Type	Specification	Number	Material number	Remark							
26			APEX	PLT-254-RF	4P	1	YE68025400100	(1)(2)							
27	M1	Granulating motor	-----	7.5kW	230V 50Hz	1	-----	(1)							
A															
B															
C															
D															
<b>机型版本: Ver.C</b> Notes: (1)Means it's not the material inside the control box.(2)Means optional accessories of full-receive alarm device.(3)Stand for optional safety relay.															
		Title		Version		E		SG-2336E		Drawing NO.		Scale		Page 13	
		Electrical Components List 2		Approved by				SG-23E/30E/36E-CE-230V-E-13		Standard		CE		Totally 21 Pages	
		Proofread by		Date		20170523				Voltage		230V			
Mark		Before modification		Modified by		Modify date		Checked by		Frequency		50Hz			
SHINI 信易塑料机械股份有限公司 Shini Plastics Technologies, Inc.															
1 2 3 4 5 6 7 8															






1	2		3	4	5	6	7	8
NO.	Symbol	Name	Manufacturer	Type	Specification	Number	Material number	Remark
1	Q1	Circuit breaker	TECO	BM-100D/3P	100A	1	YE40310003000	
2	K1 K2	Contact	SIEMENS	3RT16028-1AC20	24VAC	2	YE00602802600	
3	K3	Contact	SIEMENS	3RT16027-1AC20	24VAC	1	YE00602702600	A
4	K4	Contact	SIEMENS	3RT15036-1AC20	24VAC	1	YE00503602600	(3)
5		Auxiliary contact	SIEMENS	3RH5921-1CA01	1NC	1	YE00592110100	(3)
6	K5	Safety relay	PILZ	PNQZx2.8P	24V AC/DC	1	YE04023000000	(3)
7	K6	Timer relay	YUYUN	TH3A-NAB	24VAC	1	YE86602400300	
8	F1	Overload relay	SIEMENS	3RU6126-4NB0	23-28A	1	YE01612620000	
9	FU1	Fuse	CHNT	RT18-32	2P	1	YE41032200000	
10		Fuse core	CHNT	10x38 500V 2A	2A	2	YE46002000100	
11	FU2	Fuse	YINDA	FS-10	-----	1	YE41001000000	B
12		Glass tube	-----	6x30	5A	1	YE46630500100	
13	T	Transformer	BAIYUN	IN=230V/OUT= 24V	120VA	1	YE70023005500	
14	X1	Terminal	Honeywell	16mm <sup>2</sup>	-----	3	YE60001603200	
15			Honeywell	16mm <sup>2</sup> -PE	-----	1	YE60001603500	
16			Honeywell	6.0mm <sup>2</sup>	-----	6	YE60000603200	
17			Honeywell	6.0mm <sup>2</sup> PE	-----	1	YE60000603500	
18	X2	Terminal	Honeywell	2.5mm <sup>2</sup>	-----	4	YE60002503200	
19			Honeywell	2.5mm <sup>2</sup>	-----	4	YE60002503200	(3)
20	X3	Terminal	Honeywell	2.5mm <sup>2</sup>	-----	4	YE60002503200	(2)
21	S1	Emergency stop button	SCHNEIDER	XB2BS542C	400VAC	1	YE11254200000	(1)
22		Contact block	SCHNEIDER	ZB2BE102C	1NC	1	YE00210203100	(1)(3)
23	S2	Stop button	SCHNEIDER	XB2BA22C	400VAC	1	YE11222000000	(1)
24	S3,H1	Start button	SCHNEIDER	XB2BW33B1C	24VAC	1	YE11233100000	(1)
25		Contact block	SCHNEIDER	ZB2BE101C	1NO	1	YE00210103100	(1)(3)
<b>机型版本: Ver.C</b> Notes: (1)Means it's not the material inside the control box.(2)Means optional accessories of full-receive alarm device.(3)Stand for optional safety relay.								
				Version	E	Title		Drawing NO.
				Designer		SG-3060E		Scale
				Proofread by		Electrical Components List 1		Standard
				Checked by		SG-23E/30E/36E-CE-230V-E-16		Page 16
				Modified by		SHINI		Totally 21
				Modify date	20170523	信易塑料机械股份有限公司 Shini Plastics Technologies, Inc.		Pages
Mark				Before modification		Voltage		230V
						Frequency		50Hz
1	2		3	4	5	6	7	8



1		2		3		4		5		6		7		8	
No.	Symbol	Name	Manufacturer	Type	Specification	Number	Material number	Remark							
26	S4,S5	Safety switch	SCHMERSRC	AZ15-02ZVRK-1476	AZ-15	2	YE16147600100	(1)							
27	S4,S5	Safety switch	SCHMERSRC	AZ16-02ZVRK-1476	AZ-16	2	YE16147600000	(1)(3)							
28	H3	Buzzer	TEND	EA-2	24VAC	1	YE84240200000	(1)(2)							
29	MS	Material level sensor	SIPAI	SR-80	24VAC	1	YE15802400100	(1)(2)							
30	X10	Metal joint	APEX	PLT-254-PM	4P	1	YE68025400000	(1)(2)							
31			APEX	PLT-254-RF	4P	1	YE68025400100	(1)(2)							
32	M1	Granulating motor	-----	15kW	230V 50Hz	1	-----	(1)							
A															
B															
C															
D															
<b>机型版本: Ver.C</b> Notes: (1)Means it's not the material inside the control box.(2)Means optional accessories of full-receive alarm device.(3)Stand for optional safety relay.															
		Drawer		Version		E		Title		Scale		Page		17	
		Designer		Approved by		Electrical Components List 2		SG-3060E		Standard		CE		Totally 21 Pages	
		Proofread by		Date		20170523		SG-23E/30E/36E-CE-230V-E-17		Voltage		230V		Frequency	
Mark		Before modification		Modified by		Modify date		Checked by		Frequency		50Hz		8	
1		2		3		4		5		6		7		8	



1		2		3		4		5		6		7		8																																									
NO.	Symbol	Name	Manufacturer	Type	Specification	Number	Material number	Remark																																															
1	Q1	Breaker interlock	ABB	A1A125TMF125/12503PFF	125A	1	YE41161400000																																																
2	K1 K2	Contactor	SIEMENS	3RT16028-1AC20	24 VAC	2	YE00602802600																																																
3	K3	Contactor	SIEMENS	3RT16027-1AC20	24 VAC	1	YE00602702600																																																
4	K4	Contactor	SIEMENS	3RT15044-1AC20	24 VAC	1	YE00504402600	(3)																																															
5		Auxiliary contactor	SIEMENS	3RH5921-1CA01	1NC	1	YE00592110100	(3)																																															
6	K5	Safety relay	PILZ	PNQZx2.8P	24 V AC/DC	1	YE04023000000	(3)																																															
7	K6	Timer relay	YUYUN	TH3A-NAB	24 VAC	1	YE86602400300																																																
8	F1	Overload relay	SIEMENS	3RU6126-4PB0	30-36A	1	YE01612630000																																																
9	FU1	Fuse	CHNT	RT18-32	2P	1	YE41032200000																																																
10		Fuse core	CHNT	10x38 500V 2A	2A	2	YE46002000100																																																
11	FU2	Fuse	YINDA	FS-10	-----	1	YE41001000000																																																
12		Glass tube	-----	6x30	5A	1	YE46630500100																																																
13	T	Transformer	BAIYUN	IN=230V/OUT= 24V	120VA	1	YE70023005500																																																
14	X1	Terminal	Honeywell	16mm <sup>2</sup> PE	-----	1	YE60001603500																																																
15			Honeywell	10.0mm <sup>2</sup>	-----	6	YE60001003200																																																
16			Honeywell	10.0mm <sup>2</sup> PE	-----	1	YE60001003500																																																
17	X2	Terminal	Honeywell	2.5mm <sup>2</sup>	-----	4	YE60002503200																																																
18			Honeywell	2.5mm <sup>2</sup>	-----	4	YE60002503200	(3)																																															
19	X3	Terminal	Honeywell	2.5mm <sup>2</sup>	-----	4	YE60002503200	(2)																																															
20	S1	Emergency stop button	SCHNEIDER	XB2BS542C	400VAC	1	YE11254200000	(1)																																															
21		Contact block	SCHNEIDER	ZB2BE102C	1NC	1	YE00210203100	(1)(3)																																															
22	S2	Stop button	SCHNEIDER	XB2BA22C	400VAC	1	YE11222000000	(1)																																															
23	S3,H1	Start button	SCHNEIDER	XB2BW33B1C	24-VAC	1	YE11233100000	(1)																																															
24		Contact block	SCHNEIDER	ZB2BE101C	1NO	1	YE00210103100	(1)(3)																																															
25	S4,S5	Safety switch	SCHMERSRC	AZ15-02ZVRK-14.76	AZ-15	2	YE16147600100	(1)																																															
<b>机型版本: Ver.B</b> Notes: (1)Means it's not the material inside the control box.(2)Means optional accessories of full-receive alarm device.(3)Stand for optional safety relay.																																																							
<table border="1"> <tr> <td colspan="2">Title</td> <td colspan="2">Drawing NO.</td> <td colspan="2">Scale</td> <td colspan="2">Page</td> </tr> <tr> <td colspan="2">SG-3650E</td> <td colspan="2">SG-23E/30E/36E-CE-230V-E-18</td> <td colspan="2">Standard</td> <td colspan="2">CE</td> </tr> <tr> <td colspan="2">Electrical Components List 1</td> <td colspan="2"></td> <td colspan="2">Voltage</td> <td colspan="2">230V</td> </tr> <tr> <td colspan="2"></td> <td colspan="2"></td> <td colspan="2">Frequency</td> <td colspan="2">50HZ</td> </tr> <tr> <td colspan="2">Totality</td> <td colspan="2">21</td> <td colspan="2">Pages</td> <td colspan="2">18</td> </tr> </table>																Title		Drawing NO.		Scale		Page		SG-3650E		SG-23E/30E/36E-CE-230V-E-18		Standard		CE		Electrical Components List 1				Voltage		230V						Frequency		50HZ		Totality		21		Pages		18	
Title		Drawing NO.		Scale		Page																																																	
SG-3650E		SG-23E/30E/36E-CE-230V-E-18		Standard		CE																																																	
Electrical Components List 1				Voltage		230V																																																	
				Frequency		50HZ																																																	
Totality		21		Pages		18																																																	
<table border="1"> <tr> <td colspan="2">Designer</td> <td colspan="2">Approved by</td> <td colspan="2">Date</td> <td colspan="2">20170523</td> </tr> <tr> <td colspan="2">Proofread by</td> <td colspan="2"></td> <td colspan="2"></td> <td colspan="2"></td> </tr> <tr> <td colspan="2">Checked by</td> <td colspan="2">Modified by</td> <td colspan="2">Modify date</td> <td colspan="2"></td> </tr> </table>																Designer		Approved by		Date		20170523		Proofread by								Checked by		Modified by		Modify date																			
Designer		Approved by		Date		20170523																																																	
Proofread by																																																							
Checked by		Modified by		Modify date																																																			
 <p><b>信易塑料机械股份有限公司</b> Shini Plastics Technologies, Inc.</p>																																																							
<table border="1"> <tr> <td colspan="2">Before modification</td> <td colspan="2">Modified by</td> <td colspan="2">Modify date</td> <td colspan="2">20170523</td> </tr> <tr> <td colspan="2">Designer</td> <td colspan="2">Approved by</td> <td colspan="2">Date</td> <td colspan="2">20170523</td> </tr> </table>																Before modification		Modified by		Modify date		20170523		Designer		Approved by		Date		20170523																									
Before modification		Modified by		Modify date		20170523																																																	
Designer		Approved by		Date		20170523																																																	
<table border="1"> <tr> <td colspan="2">Voltage</td> <td colspan="2">230V</td> </tr> <tr> <td colspan="2">Frequency</td> <td colspan="2">50HZ</td> </tr> </table>																Voltage		230V		Frequency		50HZ																																	
Voltage		230V																																																					
Frequency		50HZ																																																					

1		2		3		4		5		6		7		8	
No.	Symbol	Name	Manufacturer	Type	Specification	Number	Material number	Remark							
26	S4_S5	Safety switch	SCHMERSRC	AZ16-02ZVRK-1476	AZ-16	2	YE16147600000	(1)(3)							
27	H3	Buzzer	TEND	EA-2	24VAC	1	YE84240200000	(1)(2)							
28	MS	Material level sensor	SIPAI	SR-80	24VAC	1	YE15802400100	(1)(2)							
29	X10	Metal joint	APEX	PLT-254-PM	4P	1	YE68025400000	(1)(2)							
30			APEX	PLT-254-RF	4P	1	YE68025400100	(1)(2)							
31	M1	Granulating motor	-----	18.5kW	230V 50Hz	1	-----	(1)							
A															
B															
C															
D															

机型版本: Ver.B Notes: (1)Means it's not the material inside the control box.(2)Means optional accessories of full-receive alarm device.(3)Stand for optional safety relay.

Title		Version		E		Scale		Page	
SG-3650E						SG-3650E		19	
Electrical Components List 2		Approved by				Standard		CE	
SG-23E/30E/36E-CE-230V-E-19		Checked by				Voltage		230V	
SHINI 信易塑料机械股份有限公司 Shini Plastics Technologies, Inc.		Date		20170523		Frequency		50Hz	
Mark		Modified by		Modified date		Checked by		Before modification	
1		2		3		4		5	
6		7		8		9		10	
11		12		13		14		15	
16		17		18		19		20	
21		22		23		24		25	
26		27		28		29		30	
31		32		33		34		35	
36		37		38		39		40	
41		42		43		44		45	
46		47		48		49		50	
51		52		53		54		55	
56		57		58		59		60	
61		62		63		64		65	
66		67		68		69		70	
71		72		73		74		75	
76		77		78		79		80	
81		82		83		84		85	
86		87		88		89		90	
91		92		93		94		95	
96		97		98		99		100	
101		102		103		104		105	
106		107		108		109		110	
111		112		113		114		115	
116		117		118		119		120	
121		122		123		124		125	
126		127		128		129		130	
131		132		133		134		135	
136		137		138		139		140	
141		142		143		144		145	
146		147		148		149		150	
151		152		153		154		155	
156		157		158		159		160	
161		162		163		164		165	
166		167		168		169		170	
171		172		173		174		175	
176		177		178		179		180	
181		182		183		184		185	
186		187		188		189		190	
191		192		193		194		195	
196		197		198		199		200	
201		202		203		204		205	
206		207		208		209		210	
211		212		213		214		215	
216		217		218		219		220	
221		222		223		224		225	
226		227		228		229		230	
231		232		233		234		235	
236		237		238		239		240	
241		242		243		244		245	
246		247		248		249		250	
251		252		253		254		255	
256		257		258		259		260	
261		262		263		264		265	
266		267		268		269		270	
271		272		273		274		275	
276		277		278		279		280	
281		282		283		284		285	
286		287		288		289		290	
291		292		293		294		295	
296		297		298		299		300	
301		302		303		304		305	
306		307		308		309		310	
311		312		313		314		315	
316		317		318		319		320	
321		322		323		324		325	
326		327		328		329		330	
331		332		333		334		335	
336		337		338		339		340	
341		342		343		344		345	
346		347		348		349		350	
351		352		353		354		355	
356		357		358		359		360	
361		362		363		364		365	
366		367		368		369		370	
371		372		373		374		375	
376		377		378		379		380	
381		382		383		384		385	
386		387		388		389		390	
391		392		393		394		395	
396		397		398		399		400	
401		402		403		404		405	
406		407		408		409		410	
411		412		413		414		415	
416		417		418		419		420	
421		422		423		424		425	
426		427		428		429		430	
431		432		433		434		435	
436		437		438		439		440	
441		442		443		444		445	
446		447		448		449		450	
451		452		453		454		455	
456		457		458		459		460	
461		462		463		464		465	
466		467		468		469		470	
471		472		473		474		475	
476		477		478		479		480	
481		482		483		484		485	
486		487		488		489		490	
491		492		493		494		495	
496		497		498		499		500	
501		502		503		504		505	
506		507		508		509		510	
511		512		513		514		515	
516		517		518		519		520	
521		522		523		524		525	
526		527		528		529		530	
531		532		533		534		535	
536		537		538		539		540	
541		542		543		544		545	
546		547		548		549		550	
551		552		553		554		555	
556		557		558		559		560	
561		562		563		564		565	
566		567		568		569		570	
571		572		573		574		575	
576		577		578		579		580	
581		582		583		584		585	
586		587		588		589		590	
591		592		593		594		595	
596		597		598		599		600	
601		602		603		604		605	
606		607		608		609		610	
611		612		613		614		615	
616		617		618		619		620	
621		622		623		624		625	
626		627		628		629		630	
631		632		633		634		635	
636		637		638		639		640	
641		642		643		644		645	
646		647		648		649		650	
651		652		653		654		655	
656		657		658		659		660	
661		662		663		664		665	
666		667		668		669		670	
671		672		673		674		675	
676		677		678		679		680	
681		682		683		684		685	
686		687		688		689		690	
691		692		693		694		695	
696		697		698		699		700	
701		702		703		704		705	
706		707		708		709		710	
711		712		713		714		715	
716		717		718		719		720	
721		722		723		724		725	
726		727		728		729		730	
731		732		733		734		735	
736		737		738		739		740	
741		742		743		744		745	
746		747		748		749		750	
751		752		753		754		755	
756		757		758		759		760	
761		762		763		764		765	
766		767		768		769		770	
771		772		773		774		775	
776		777		778		779		780	
781		782		783		784		785	
786		787		788		789		790	
791		792		793		794		795	
796		797		798		799		800	
801		802		803		804		805	
806		807		808		809		810	
811		812		813		814		815	
816		817		818		819		820	
821		822		823		824		825	
826		827							

1		2		3		4		5		6		7		8	
NO.	Symbol	Name	Manufacturer	Type	Specification	Number	Material number	Remark							
1	Q1	Breaker interlock	ABB	AZB250TMF200/20003PFF	200A	1	YE41252200000								
2	K1 K2	Contactor	SIEMENS	3RT5044-1AC20	24VAC	2	YE00504402600								
3	K3	Contactor	SIEMENS	3RT5036-1AC20	24VAC	1	YE00503602600								
4	K4	Contactor	SIEMENS	3RT5054-1AP36	24VAC	1	YE00505400900	(3)							
5		Auxiliary contactor	SIEMENS	3RH5921-1CA10	1NO	2	YE00592110000								
6		Auxiliary contactor	SIEMENS	3RH5921-1CA01	1NC	2	YE00592110100								
7		Auxiliary contactor	SIEMENS	3RH5921-1CA01	1NC	1	YE00592110100	(3)							
8	K5	Safety relay	PILZ	PNQZx2.8P	24V AC/DC	1	YE04023000000	(3)							
9	K6	Timer relay	YUYUN	TH3A-NAB	24VAC	1	YE86602400300								
10	F1	Overload relay	SIEMENS	3RU5146-4JB0	45-63A	1	YE01514640000								
11	FU1	Fuse	CHNT	RT18-32	2P	1	YE41032200000								
12		Fuse core	CHNT	10x38 500V 2A	2A	2	YE46002000100								
13	FU2	Fuse	YINDA	FS-10	-----	1	YE41001000000								
14		Glass tube	-----	6x30	5A	1	YE46630500100								
15	X1	Terminal	Honeywell	35mm <sup>2</sup> PE	-----	1	YE60003503500								
16			Honeywell	16mm <sup>2</sup>	-----	6	YE60001603200								
17			Honeywell	16mm <sup>2</sup> PE	-----	1	YE60001603500								
18	X2	Terminal	Honeywell	2.5mm <sup>2</sup>	-----	4	YE60002503200								
19			Honeywell	2.5mm <sup>2</sup>	-----	4	YE60002503200	(3)							
20	X3	Terminal	Honeywell	2.5mm <sup>2</sup>	-----	4	YE60002503200	(2)							
21	S1	Emergency stop button	SCHNEIDER	XB2BS542C	400VAC	1	YE11254200000	(1)							
22		Contact block	SCHNEIDER	ZB2BE102C	1NC	1	YE00210203100	(1)(3)							
23	S2	Stop button	SCHNEIDER	XB2BA22C	400VAC	1	YE11222000000	(1)							
24	S3,H1	Start button	SCHNEIDER	XB2BW33B1C	24VAC	1	YE11233100000	(1)							
25		Contact block	SCHNEIDER	ZB2BE101C	1NO	1	YE00210103100	(1)(3)							
<b>机型版本: Ver.B</b> Notes: (1)Means it's not the material inside the control box.(2)Means optional accessories of full-receive alarm device.(3)Stand for optional safety relay.															
		Drawer		Version		E		Title		Drawing NO.		Scale		Page	
		Designer		Approved by				SG-3675E		SG-23E/30E/36E-CE-230V-E-20		Standard		CE	
		Proofread by		Date		20170523		Electrical Components List 1				Voltage		230V	
		Checked by		Date								Frequency		50HZ	
Mark		Before modification		Modified by		Modify date									
1		2		3		4		5		6		7		8	



