

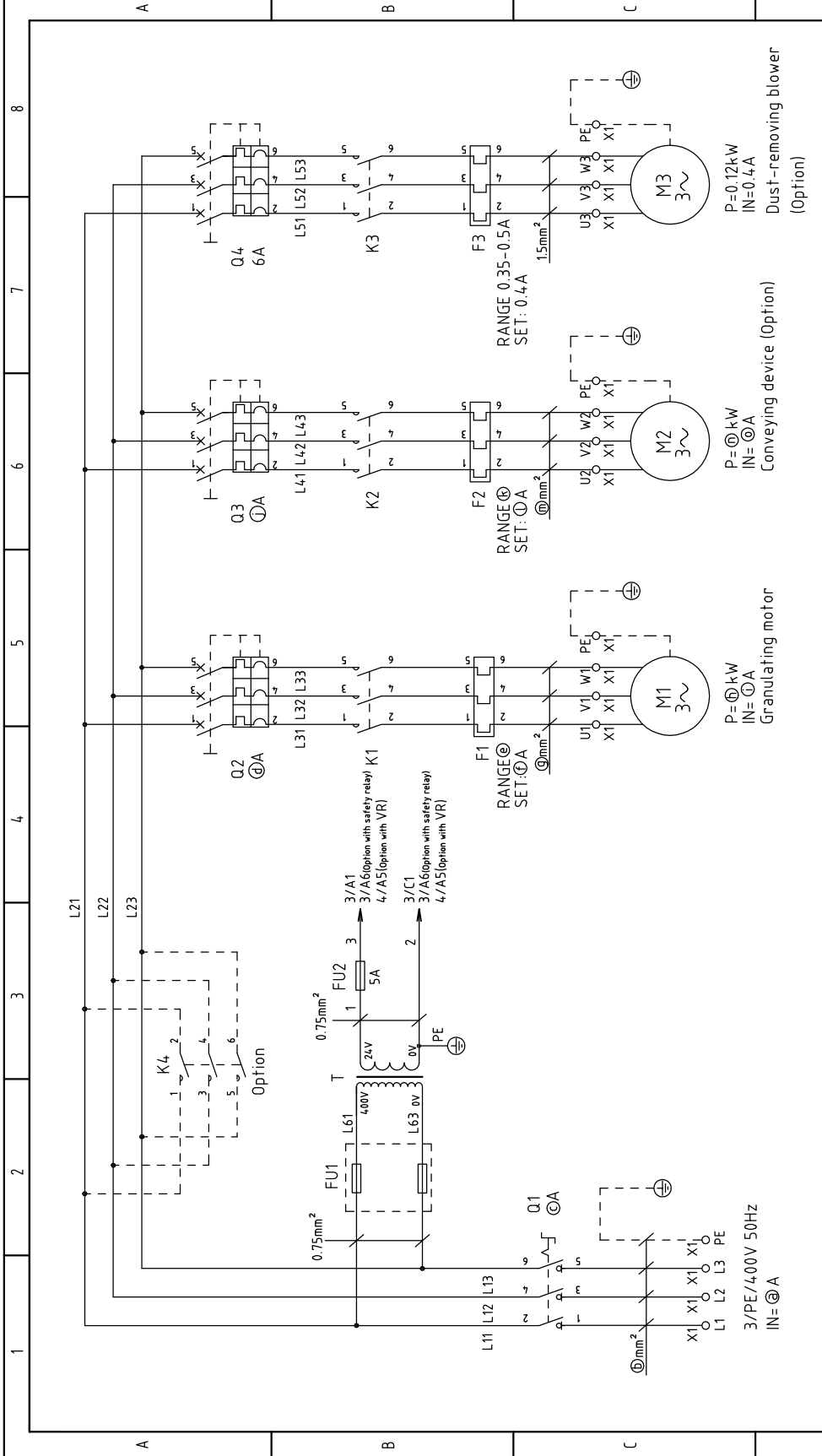
- ㉓ Total current  
 ㉔ Main power wire dia.  
 ㉕ Rated current of the main power supply  
 ㉖ Granulating motor circuit breaker  
 ㉗ Granulating motor loader  
 ㉘ Setting of granulating motor loader  
 ㉙ Granulating motor wire diameter  
 ㉚ Granulating motor power  
 ㉛ Granulating motor current  
 ㉜ Conveying blower breaker  
 ㉝ Conveying blower loader  
 ㉞ Setting of conveying blower  
 ㉟ Conveying blower wire diameter  
 ㊱ Conveying blower power  
 ㊲ Conveying blower current

Symbol	Ver.	(a)	(b)	(c)	(d)	(e)	(f)	(g)	(h)	(i)
Mode	Ver.D	6.0	1.5	16	10	3.5-5.0	3.6	1.5	3.6	
SG-1621N	Ver.D	7.0	1.5	16	16	4.5-6.3	5.2	1.5	2.2	5.2
SG-1628D	Ver.B	7.0	1.5	16	16	4.5-6.3	5.2	1.5	2.2	5.2
SG-1635N	Ver.D	7.0	1.5	16	16	4.5-6.3	5.2	1.5	2.2	5.2
SG-2028N	Ver.D	7.0	1.5	16	16	4.5-6.3	5.2	1.5	2.2	5.2
SG-1635NH	Ver.D	9.0	1.5	16	16	7-10	7.2	1.5	3.0	7.2
SG-2028NH	Ver.D	9.0	1.5	16	16	7-10	7.2	1.5	3.0	7.2
SG-2042N	Ver.D	9.0	1.5	16	16	7-10	7.2	1.5	3.0	7.2
SG-2042NH	Ver.D	11.0	2.5	16	20	9-12.5	9.2	2.5	4.0	9.2

Equipped with a air blower for conveying					
(j)	(k)	(l)	(m)	(n)	(o)
6	1.1-1.6	1.4	1.5	0.55	1.4
6	1.1-1.6	1.4	1.5	0.55	1.4
6	1.1-1.6	1.4	1.5	0.55	1.4
6	1.1-1.6	1.4	1.5	0.55	1.4
6	1.1-1.6	1.4	1.5	0.55	1.4
6	1.1-1.6	1.4	1.5	0.55	1.4
6	1.1-1.6	1.4	1.5	0.55	1.4
6	1.1-1.6	1.4	1.5	0.55	1.4
6	1.1-1.6	1.4	1.5	0.55	1.4
6	1.1-1.6	1.4	1.5	0.55	1.4

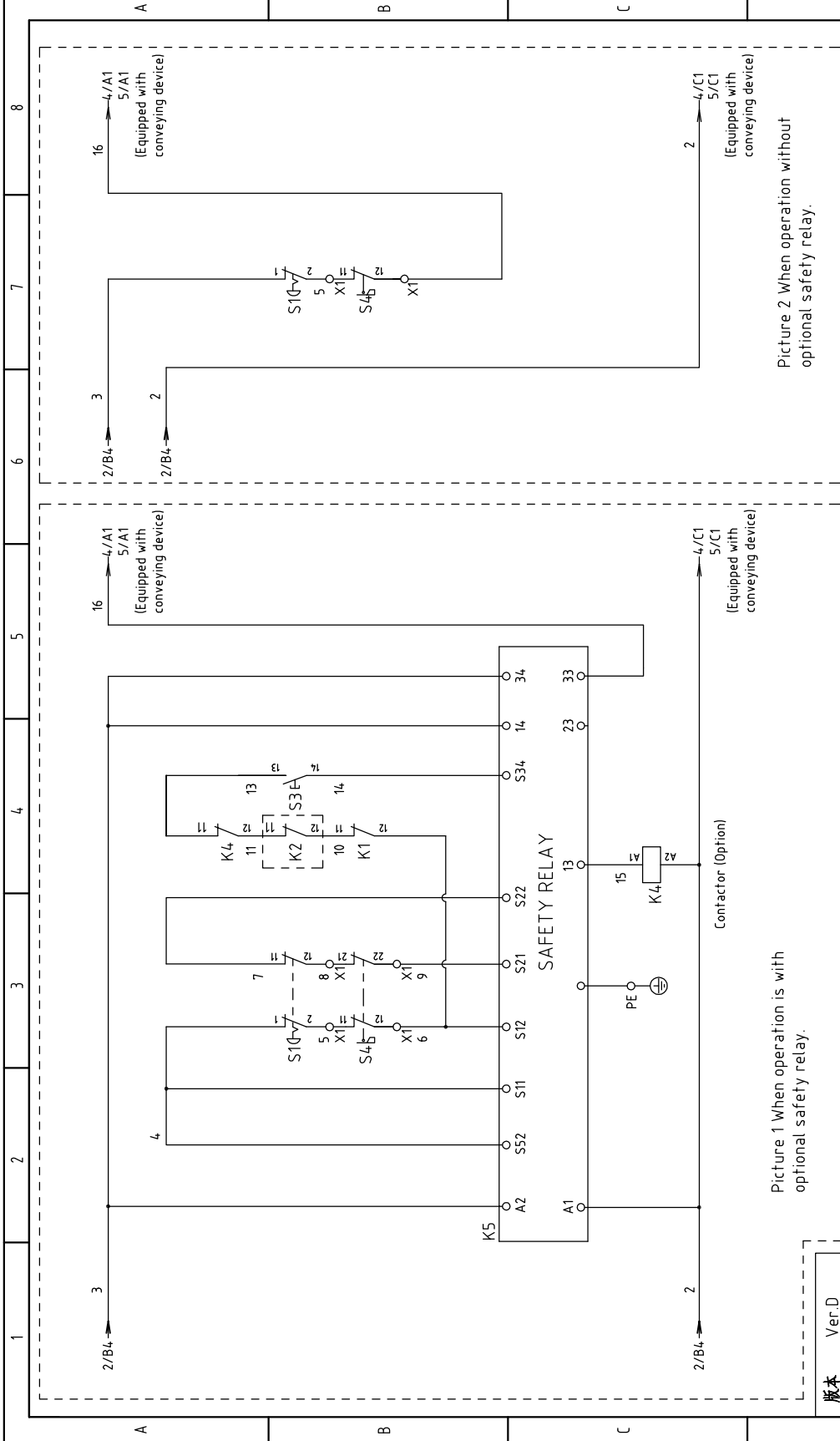
Equipped with a spiral spring conveyor					
(j)	(k)	(l)	(m)	(n)	(o)
6	0.7-1	0.7	1.5	0.18	0.7
6	0.7-1	0.7	1.5	0.18	0.7
6	0.7-1	0.7	1.5	0.18	0.7
6	0.7-1	0.7	1.5	0.18	0.7
6	0.7-1	0.7	1.5	0.18	0.7
6	0.7-1	0.7	1.5	0.18	0.7
6	0.7-1	0.7	1.5	0.18	0.7
6	0.7-1	0.7	1.5	0.18	0.7
6	0.7-1	0.7	1.5	0.18	0.7
6	0.7-1	0.7	1.5	0.18	0.7

Title		SG-16N/20N系列		Drawing NO.		SG-16N/20N系列-CE-400V-I-1		Page		1	
Power, wire diameter, Ammeter				Standard		CE		Voltage		4.00V	
Frequency				Standard		CE		Frequency		50Hz	
Mark		Before modification		Modified by		Modify date		Checked by		Date	
										20171206	
Designer		Proofread by		Approved by		Version		I			
Drawer		Checked by		Date		20171206					
SHINI		信易塑料机械股份有限公司		Shini Plastics Technologies, Inc.							



版本 Ver.D

Drawing NO.		Page 2	
Title		Scale	Standard
SG-16N/20N系列		CE	Totally 14 Pages
Main Circuit Diagram		Voltage	400V
SHINI 信易塑料机械股份有限公司 Shini Plastics Technologies, Inc.		Frequency	50Hz
Version	Approved by	Date	20171206
Designer	Proofread by	Checked by	
Modify Date	Modified by	After modification	
Mark	Before modification		



Picture 1 When operation is with optional safety relay.

Picture 2 When operation without optional safety relay.

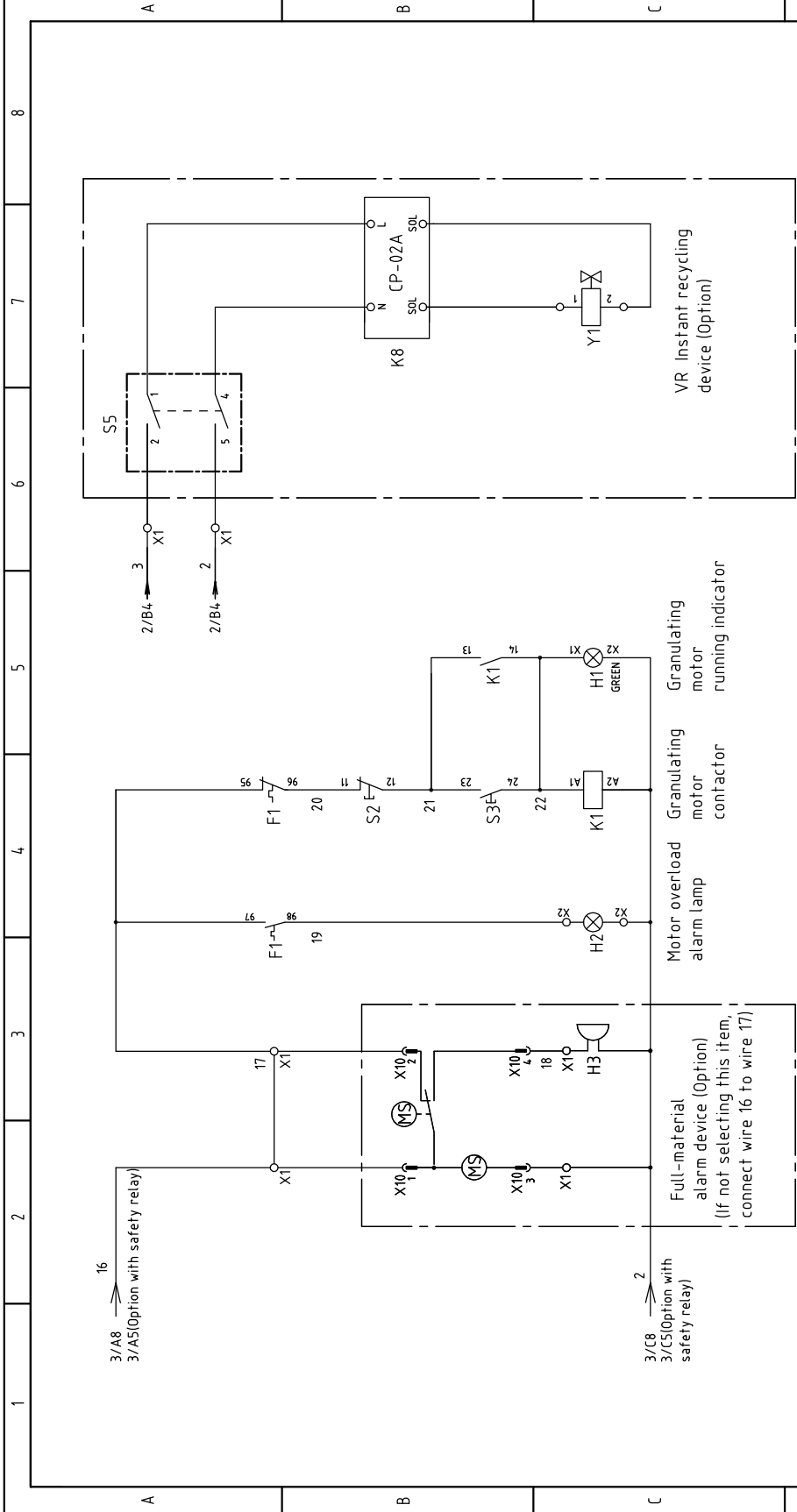
版本	Ver. D
Mark	Before modification
	After modification
	Modify date
	Checked by
	Proofread by
	Designer
	Drawer
	Version
	Approved by
	Date

Title  
SG-16N/20N系列  
Control Circuit Diagram 1

Drawing NO.  
SG-16N/20N系列-CE-4.00V-I-3

Scale	Page
Standard	3
Voltage	Totally
4.00V	14
Frequency	Pages
5.0HZ	

信易電熱機械股份有限公司  
Shini Plastics Technologies, Inc.

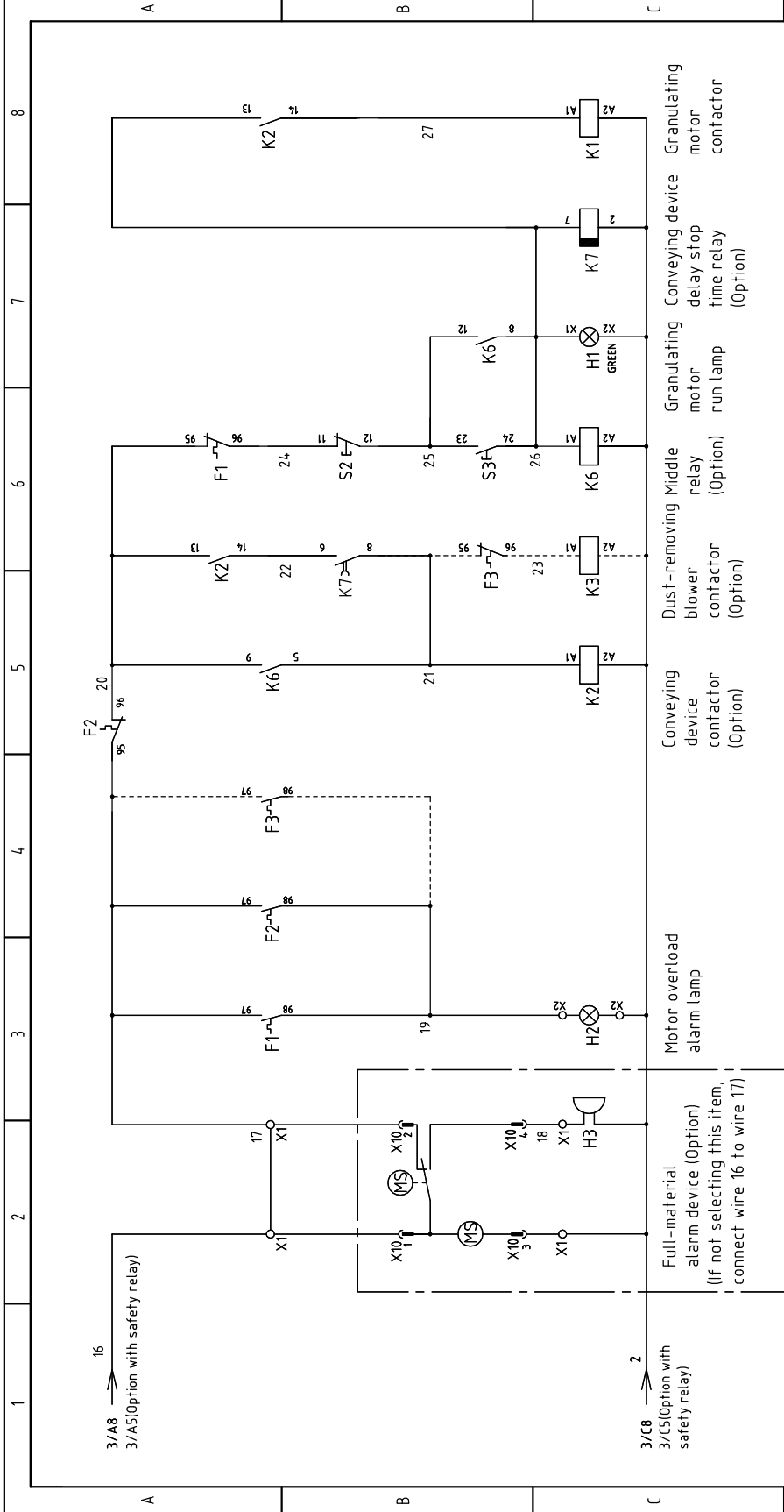


Note: The control circuit is for the application when optional conveying device or optional VR instant recycling device hasn't been selected.

版本	Ver. D
Mark	Before modification
	After modification
	Modify date
	Checked by
	Proofread by
	Designer
	Drawer
	Version
	Approved by
	Date

Title		SG-16N/20N系列	
Drawing NO.		SG-16N/20N系列-CE-4.00V-I-4	
Standard		CE	
Voltage		4.00V	
Frequency		50HZ	
Page		4	
Totally		14	
Pages		14	



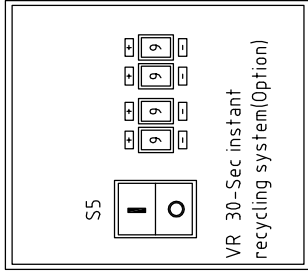
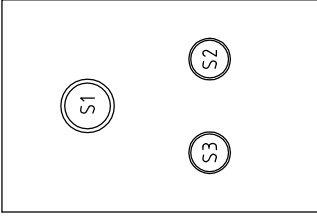
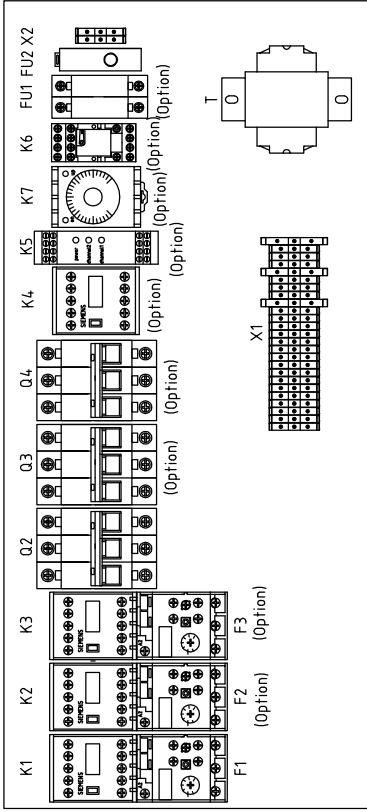


Note: The control circuit is for the application when optional conveying device or spring conveyor have been selected.

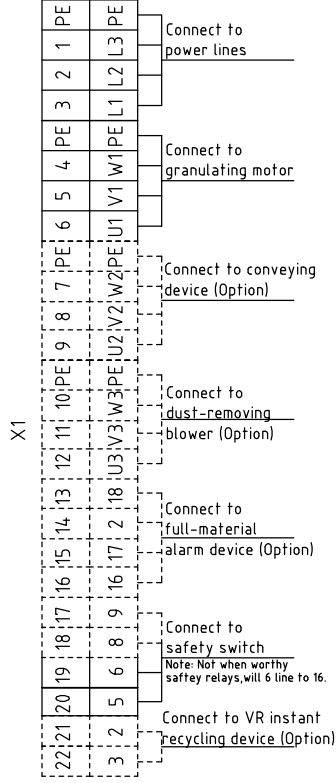
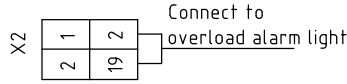
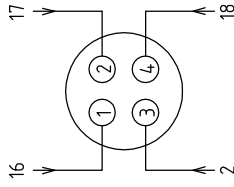
版本 Ver. D

Title		Drawing NO.		Scale	Page
SG-16N/20N系列		SG-16N/20N系列-CE-4.00V-I-5		Standard	5
Control Circuit Diagram 3				CE	Totally 14
				Voltage	4.00V
				Frequency	50HZ
SHINI		信易電機機械股份有限公司		SHINI	
SHINI		Shini Plastics Technologies, Inc.		SHINI	
Mark	Before modification	After modification	Modify date	Checked by	Date
					20171206
Drawer	Designer	Proofread by	Approved by	Version	

1 2 3 4 5 6 7 8



Connection diagram of X10 metal connectors (option)



版本 Ver.D

Mark	Before modification	Modified by	Modify date	Checked by	Date	Version	Title	Drawing NO.	Scale	Page
	After modification	Modified by	Modify date	Checked by	Date				Standard	Totally
				20171206			SG-16N/20N系列	SG-16N/20N系列-CE-4.00V-I-6	CE	6
							信易塑料机械股份有限公司		Voltage	4.00V
							SHINI		Frequency	50HZ
										8

1	2		3	4	5	6	7	8
NO.	Symbol	Name	Manufacturer	Type	Specification	Number	Material number	Remark
1	Q1	Main switch	EATON	TO-2-1/EA/SVB/16A	16A	1	YE10021160000	(1)
2	Q2	Circuit-breaker	TECO	BM-63C/3010S	10A	1	YE40301003000	
3	Q3	Circuit-breaker	TECO	BM-63C/3006S	6A	1	YE40300603000	(2)(3)
4	Q4	Circuit-breaker	TECO	BM-63C/3006S	6A	1	YE40300603000	(6)
5	K1	Contacto	SIEMENS	3RT6015-1AB01	24VAC 50/60Hz	1	YE00601502500	
6		Auxiliary contacto	SIEMENS	3RH6911-1HA11	INC+1NO	1	YE00691100100	(5)
7	K2	Contacto	SIEMENS	3RT6015-1AB01	24VAC 50/60Hz	1	YE00601502500	(2)(3)
8		Auxiliary contacto	SIEMENS	3RH6911-1HA11	INC+1NO	1	YE00691100100	(2)(3)
9	K3	Contacto	SIEMENS	3RT6015-1AB01	24VAC 50/60Hz	1	YE00601502500	(6)
10	K4	Contacto	SIEMENS	3RT6015-1AB02	24VAC 50/60Hz	1	YE00601502600	(5)
11	K5	Safety relay	PILZ	PNOZ X2.8P	24VAC/DC	1	YE04023000000	(5)
12	K6	Middle relay	Honeywell	GR-2C-AC24V	24VAC	1	YE03022400300	(2)(3)
13	K7	Time relay	YUYUN	TRF-N/3M	24VAC	1	YE86032400000	(2)(3)
14	K8	VR Diater	YUYUN	CP-02A	24VAC	1	YE80999900600	(7)
15	F1	Overload relay	SIEMENS	3RU6116-1FB0	3.5-5A	1	YE01160350000	
16	F2	Overload relay	SIEMENS	3RU6116-1AB0	1.1-1.6A	1	YE01160110000	(2)
17	F2	Overload relay	SIEMENS	3RU6116-0JB0	0.7-1A	1	YE01160700000	(3)
18	F3	Overload relay	SIEMENS	3RU6116-0FB0	0.35-0.5A	1	YE01161350000	(6)
19	T	Transformer	BAIYUN	IN=400V OUT=24V	120VA	1	YE70402400700	
20	FU1	Fuse	MRO	MR0/32A/2P	2P	1	YE41032200000	
21		Fuse core	MRO	MR0/2A(10×38)500V	2A (Fuse core)	2	YE46002000100	
22	FU2	Fuse	YINDA	FS-10	----	1	YE41001000000	
23		Glass tube	----	6×30	5A	1	YE46630500100	
24	X1	Terminal board	HONEYWELL	2.5mm <sup>2</sup>	----	8	YE60002503200	
25				2.5mm <sup>2</sup> PE	----	2	YE60002503400	
版本		Ver. D		Notes: (1)Means it's not the material inside the control box.(2) Means accessories for material conveying blower.(3) means accessories for spiral spring conveyor.				
				Title SG-162IN		Scale		Page 7
				Drawing NO. SG-16N/20N系列-CE-400V-I-7		Standard CE		Totally 14 Pages
				Electrical Components List 1		Voltage		4.00V
				SHINI 信易塑料机械股份有限公司		Frequency		5.0HZ
				Shini Plastics Technologies, Inc.				
Mark		Before modification		Modified by		Modify date		20171206
		Drawer		Version				
		Designer		Approved by				
		Proofread by		Date				
		Checked by						
		Modified by						
		Modify date						

1	2		3	4	5	6	7	8
NO.	Symbol	Name	Manufacturer	Type	Specification	Number	Material number	Remark
26				2.5mm <sup>2</sup>	----	3	YE60002503200	(2)(3)
27				2.5mm <sup>2</sup> PE	----	1	YE60002503400	(2)(3)
28				2.5mm <sup>2</sup>	----	4	YE60002503200	(4)
29				2.5mm <sup>2</sup>	----	2	YE60002503200	(5)
30				2.5mm <sup>2</sup>	----	3	YE60002503200	(6)
31				2.5mm <sup>2</sup> PE	----	1	YE60002503400	(6)
32				2.5mm <sup>2</sup>	----	2	YE60002503200	(7)
33	X2	Terminal board	HONEYWELL	2.5mm <sup>2</sup>	----	2	YE60002503200	
34	X10	Metal joint	SHINI	254-P/R 公	4P	1	YE68025400000	(1)(4)
35			SHINI	254-P/R 母	4P	1	YE68025400100	(1)(4)
36	S1	Emergency stop button	SCHNEIDER	XB2BS542C	400VAC	1	YE11254200000	(1)
37		Contact block	SCHNEIDER	ZB2BE102C	1NC	1	YE00210203100	(1)(5)
38	S2	Stop button	SCHNEIDER	XB2BA22C	400VAC	1	YE11222000000	(1)
39	S3,H1	Start button	SCHNEIDER	XB2BW33B1C	24VAC/DC	1	YE11233100000	(1)
40		Contact block	SCHNEIDER	ZB2BE101C	1NO	1	YE00210103100	(1)(5)
41	S4	Safety switch	SCHMERSRC	AZ-17-11ZK	AC-17	1	YE16171100000	(1)
42	S4	Safety switch	SCHMERSAL	AZ16-02ZVRK-M16-1476-1	250V 3A	1	YE16147600000	(1)(5)
43	S5	Alternative switch	----	R210-C5LBW4P	----	1	YE10210400000	(7)
44	H2	Frequency warning lamp	SHINI	LED-3501	24VAC	1	YE83305100900	(1)
45	H3	Buzzer	TEND	EA-2	24VAC	1	YE84240200000	(1)(4)
46	MS	Material level sensor	SIPAI	ST-80	24VAC	1	YE15802400100	(1)(4)
47	M1	Granulating motor	---	1.5kW	400V 50/60Hz	1	---	(1)
48	M2	Conveying blower	---	0.55kW	400V 50/60Hz	1	---	(1)(2)
49	M2	Spring conveyor	---	0.18kW	400V 50/60Hz	1	---	(1)(3)
50	M3	Dust-removing blower	---	0.12kW	400V 50/60Hz	1	---	(1)(6)
版本	Ver.D	(4) Means optional accessories of full-receive alarm device.(5)Stand for optional safety relay.(6)Means optional accessories of dedusting blower.(7)Means accessories for VR instant recycling.						
				Drawer	Version	Title		Scale
				Designer	Approved by	Drawing NO.		Page
				Proofread by		SG-1621N		8
				Checked by		Electrical Components List 2		Standard
				Modify date		SG-16N/20N系列-CE-400V-I-8		Totally
				Before modification		SHINI		14
				After modification		信易塑料机械股份有限公司		Pages
						Shini Plastics Technologies, Inc.		CE
								Voltage
								Frequency
								4.00V
								5.0Hz
								8



1	2		3	4	5	6	7	8	
NO.	Symbol	Name	Manufacturer	Type	Specification	Number	Material number	Remark	
1	Q1	Main switch	EATON	TO-2-1/EA/SVB/16A	16A	1	YE10021160000	(1)	
2	Q2	Circuit-breaker	TECO	BM-63C/3016S	16A	1	YE40301603000		
3	Q3	Circuit-breaker	TECO	BM-63C/3006S	6A	1	YE40300603000	(2)(3)	
4	Q4	Circuit-breaker	TECO	BM-63C/3006S	6A	1	YE40300603000	(6)	
5	K1	Contact	SIEMENS	3RT6015-1AB01	24VAC 50/60Hz	1	YE00601502500		
6		Auxiliary contact	SIEMENS	3RH6911-1HA11	1NC+1NO	1	YE00691100100	(5)	
7	K2	Contact	SIEMENS	3RT6015-1AB01	24VAC 50/60Hz	1	YE00601502500	(2)(3)	
8		Auxiliary contact	SIEMENS	3RH6911-1HA11	1NC+1NO	1	YE00691100100	(2)(3)	
9	K3	Contact	SIEMENS	3RT6015-1AB01	24VAC 50/60Hz	1	YE00601502500	(6)	
10	K4	Contact	SIEMENS	3RT6016-1AB02	24VAC 50/60Hz	1	YE00601602600	(5)	
11	K5	Safety relay	PILZ	PNOZ X2.8P	24VAC/DC	1	YE04023000000	(5)	
12	K6	Middle relay	Honeywell	GR-2C-AC24V	24VAC	1	YE03022400300	(2)(3)	
13	K7	Time relay	YUYUN	TRF-N/3M	24VAC	1	YE86032400000	(2)(3)	
14	K8	VR Dialer	YUYUN	CP-02A	24VAC	1	YE80999900600	(7)	
15	F1	Overload relay	SIEMENS	3RU6116-1GB0	4.5-6.3A	1	YE01160450000		
16	F2	Overload relay	SIEMENS	3RU6116-1AB0	1.1-1.6A	1	YE01160110000	(2)	
17	F2	Overload relay	SIEMENS	3RU6116-0JB0	0.7-1A	1	YE01160700000	(3)	
18	F3	Overload relay	SIEMENS	3RU6116-0FB0	0.35-0.5A	1	YE01161350000	(6)	
19	T	Transformer	BAIYUN	IN=400V OUT=24V	120VA	1	YE70402400700		
20	FU1	Fuse	MRO	MR0/32A/2P	2P	1	YE41032200000		
21		Fuse core	MRO	MR0/2A(10×38)500V	2A(Fuse core)	2	YE46002000100		
22	FU2	Fuse	YINDA	FS-10	----	1	YE41001000000		
23		Glass tube	----	6×30	5A	1	YE46630500100		
24	X1	Terminal board	HONEYWELL	2.5mm <sup>2</sup>	----	8	YE60002503200		
25				2.5mm <sup>2</sup> PE	----	2	YE60002503400		
版本		Ver.D	(1)Means it's not the material inside the control box.(2) Means accessories for material conveying blower.(3) means accessories for spiral spring conveyor.						
				Version	Title		Scale	Page	
				Designer	SG-1628N/1628D/1635N/2028N		Standard	9	
				Proofread by	Electrical Components List 1		Standard	Totally 14	
				Checked by	SG-16N/20N系列-CE-400V-I-9		CE	Pages	
				Modified by	SHINI		Voltage	400V	
				Modify date	信易塑料机械股份有限公司 Shini Plastics Technologies, Inc.		Frequency	50HZ	
Mark	Before modification	After modification	Date	20171206					
1	2	3	4	5	6	7	8		

1	2		3	4	5	6	7	8
NO.	Symbol	Name	Manufacturer	Type	Specification	Number	Material number	Remark
26				2.5mm <sup>2</sup>	----	3	YE60002503200	(2)(3)
27				2.5mm <sup>2</sup> PE	----	1	YE60002503400	(2)(3)
28				2.5mm <sup>2</sup>	----	4	YE60002503200	(4)
29				2.5mm <sup>2</sup>	----	2	YE60002503200	(5)
30				2.5mm <sup>2</sup>	----	3	YE60002503200	(6)
31				2.5mm <sup>2</sup> PE	----	1	YE60002503400	(6)
32				2.5mm <sup>2</sup>	----	2	YE60002503200	(7)
33	X2	Terminal board	HONEYWELL	2.5mm <sup>2</sup>	----	2	YE60002503200	
34	X10	Metal joint	SHINI	254-P/R 公	4P	1	YE68025400000	(1)(4)
35			SHINI	254-P/R 母	4P	1	YE68025400100	(1)(4)
36	S1	Emergency stop button	SCHNEIDER	XB2BS542C	400VAC	1	YE11254200000	(1)
37		Contact block	SCHNEIDER	ZB2BE102C	1NC	1	YE00210203100	(1)(5)
38	S2	Stop button	SCHNEIDER	XB2BA22C	400VAC	1	YE11222000000	(1)
39	S3,H1	Start button	SCHNEIDER	XB2BW33B1C	24VAC/DC	1	YE11233100000	(1)
40		Contact block	SCHNEIDER	ZB2BE101C	1NO	1	YE00210103100	(1)(5)
41	S4	Safety switch	SCHMERSRC	AZ-17-11ZK	AC-17	1	YE16171100000	(1)
42	S4	Safety switch	SCHMERSAL	AZ16-02ZVRK-M16-1476-1	250V 3A	1	YE16147600000	(1)(5)
43	S5	Alternative switch	----	R210-C5LBW4P	----	1	YE10210400000	(7)
44	H2	Frequency warning lamp	SHINI	LED-3501	24VAC	1	YE83305100900	(1)
45	H3	Buzzer	TEND	EA-2	24VAC	1	YE84240200000	(1)(4)
46	MS	Material level sensor	SIPAI	ST-80	24VAC	1	YE15802400100	(1)(4)
47	M1	Granulating motor	---	2.2kW	400V 50/60Hz	1	---	(1)
48	M2	Conveying blower	---	0.55kW	400V 50/60Hz	1	---	(1)(2)
49	M2	Spring conveyor	---	0.18kW	400V 50/60Hz	1	---	(1)(3)
50	M3	Dust-removing blower	---	0.12kW	400V 50/60Hz	1	---	(1)(6)
<b>版本 Ver.D</b> ( SG-1628D 版本Ver.B ) (4) Means optional accessories of full-receive alarm device.(5)Stand for optional safety relay.(6)Means optional accessories of dedusting blower.(7)Means accessories for VR instant recycling.								
				Title SG-1628N/1628D/1635N/2028N Drawing NO. SG-16N/20N系列-CE-4.00V-I-10 Electrical Components List 2		Scale Standard CE		Page 10 Totality 14 Pages
				Designer Proofread by Checked by Date 20171206		Voltage Frequency		4.00V 5.0Hz
				Before modification Modified by Modify date		<b>SHINI</b> 信易塑料机械股份有限公司 Shini Plastics Technologies, Inc.		8

1	2		3	4	5	6	7	8	
NO.	Symbol	Name	Manufacturer	Type	Specification	Number	Material number	Remark	
1	Q1	Main switch	EATON	TO-2-1/EA/SVB/16A	16A	1	YE10021160000	(1)	
2	Q2	Circuit-breaker	TECO	BM-63C/3016S	16A	1	YE40301603000		
3	Q3	Circuit-breaker	TECO	BM-63C/3006S	6A	1	YE40300603000	(2)(3)	
4	Q4	Circuit-breaker	TECO	BM-63C/3006S	6A	1	YE40300603000	(6)	
5	K1	Contact	SIEMENS	3RT6016-1AB01	24VAC 50/60Hz	1	YE00601602500		
6		Auxiliary contact	SIEMENS	3RH6911-1HA11	1NC+1NO	1	YE00691100100	(5)	
7	K2	Contact	SIEMENS	3RT6015-1AB01	24VAC 50/60Hz	1	YE00601502500	(2)(3)	
8		Auxiliary contact	SIEMENS	3RH6911-1HA11	1NC+1NO	1	YE00691100100	(2)(3)	
9	K3	Contact	SIEMENS	3RT6015-1AB01	24VAC 50/60Hz	1	YE00601502500	(6)	
10	K4	Contact	SIEMENS	3RT6017-1AB02	24VAC 50/60Hz	1	YE00601702600	(5)	
11	K5	Safety relay	PILZ	PNOZ X2.8P	24VAC/DC	1	YE04023000000	(5)	
12	K6	Middle relay	Honeywell	GR-2C-AC24V	24VAC	1	YE03022400300	(2)(3)	
13	K7	Time relay	YUYUN	TRF-N/3M	24VAC	1	YE86032400000	(2)(3)	
14	K8	VR Dialer	YUYUN	CP-02A	24VAC	1	YE80999900600	(7)	
15	F1	Overload relay	SIEMENS	3RU6116-1JB0	7-10A	1	YE01167100000		
16	F2	Overload relay	SIEMENS	3RU6116-1AB0	1.1-1.6A	1	YE01160110000	(2)	
17	F2	Overload relay	SIEMENS	3RU6116-0JB0	0.7-1A	1	YE01160700000	(3)	
18	F3	Overload relay	SIEMENS	3RU6116-0FB0	0.35-0.5A	1	YE01161350000	(6)	
19	T	Transformer	BAIYUN	IN=400V OUT=24V	120VA	1	YE70402400700		
20	FU1	Fuse	MRO	MR0/32A/2P	2P	1	YE41032200000		
21		Fuse core	MRO	MR0/2A(10×38)500V	2A(Fuse core)	2	YE46002000100		
22	FU2	Fuse	YINDA	FS-10	----	1	YE41001000000		
23		Glass tube	----	6×30	5A	1	YE46630500100		
24	X1	Terminal board	HONEYWELL	2.5mm <sup>2</sup>	----	8	YE60002503200		
25				2.5mm <sup>2</sup> PE	----	2	YE60002503400		
版本		Ver.D		Notes: (1)Means it's not the material inside the control box.(2) Means accessories for material conveying blower.(3) means accessories for spiral spring conveyor.					
				Title	SG-1635NH/2028NH/2042N	Drawing NO.	SG-16N/20N系列-CE-4.00V-I-11	Scale	Page 11
				Version	I	Electrical Components List 1	Standard	CE	Page 14
				Designer		Approved by		Voltage	4.00V
				Proofread by		Date	20171206	Frequency	50HZ
Mark				Before modification	Modified by	Modify date	Checked by	Checked by	Checked by
1	2	3	4	5	6	7	8	8	



1	2		3	4	5	6	7	8
NO.	Symbol	Name	Manufacturer	Type	Specification	Number	Material number	Remark
26				2.5mm <sup>2</sup>	----	3	YE60002503200	(2)(3)
27				2.5mm <sup>2</sup> PE	----	1	YE60002503400	(2)(3)
28				2.5mm <sup>2</sup>	----	4	YE60002503200	(4)
29				2.5mm <sup>2</sup>	----	2	YE60002503200	(5)
30				2.5mm <sup>2</sup>	----	3	YE60002503200	(6)
31				2.5mm <sup>2</sup> PE	----	1	YE60002503400	(6)
32				2.5mm <sup>2</sup>	----	2	YE60002503200	(7)
33	X2	Terminal board	HONEYWELL	2.5mm <sup>2</sup>	----	2	YE60002503200	
34	X10	Metal joint	SHINI	254-P/R 公	4P	1	YE68025400000	(1)(4)
35			SHINI	254-P/R 母	4P	1	YE68025400100	(1)(4)
36	S1	Emergency stop button	SCHNEIDER	XB2BS542C	400VAC	1	YE11254200000	(1)
37		Contact block	SCHNEIDER	ZB2BE102C	1NC	1	YE00210203100	(1)(5)
38	S2	Stop button	SCHNEIDER	XB2BA22C	400VAC	1	YE11222000000	(1)
39	S3,H1	Start button	SCHNEIDER	XB2BW33B1C	24VAC/DC	1	YE11233100000	(1)
40		Contact block	SCHNEIDER	ZB2BE101C	1NO	1	YE00210103100	(1)(5)
41	S4	Safety switch	SCHMERSRC	AZ-17-11ZK	AC-17	1	YE16171100000	(1)
42	S4	Safety switch	SCHMERSAL	AZ16-02ZVRK-M16-1476-1	250V 3A	1	YE16147600000	(1)(5)
43	S5	Alternative switch	----	R210-C5LBW4P	----	1	YE10210400000	(7)
44	H2	Frequency warning lamp	SHINI	LED-3501	24VAC	1	YE83305100900	(1)
45	H3	Buzzer	TEND	EA-2	24VAC	1	YE84240200000	(1)(4)
46	MS	Material level sensor	SIPAI	ST-80	24VAC	1	YE15802400100	(1)(4)
47	M1	Granulating motor	---	3.0kW	400V 50/60Hz	1	---	(1)
48	M2	Conveying blower	---	0.55kW/0.18kW	400V 50/60Hz	1	---	(1)(2)/(3)
49	M2	Spring conveyor	---	0.18kW	400V 50/60Hz	1	---	(1)(3)
50	M3	Dust-removing blower	---	0.12kW	400V 50/60Hz	1	---	(1)(6)
版本	Ver.D	(4) Means optional accessories of full-receive alarm device.(5)Stand for optional safety relay.(6)Means optional accessories of dedusting blower.(7)Means accessories for VR instant recycling.						
				Drawer	Version	Title		Scale
				Designer	Approved by	SG-1635NH/2028NH/2042N		Page 12
				Proofread by	SG-16N/20N系列-CE-4.00V-I-12			Standard
				Checked by	Electrical Components List 2			CE
				Modify date	SHINI			Voltage
				Modified by	Shini Plastics Technologies, Inc.			Frequency
				Before modification	20171206			4.00V
				After modification				5.0Hz
1	2	3	4	5	6	7	8	



1	2		3	4	5	6	7	8
NO.	Symbol	Name	Manufacturer	Type	Specification	Number	Material number	Remark
1	Q1	Main switch	EATON	TO-2-1/EA/SVB/16A	16A	1	YE10021160000	(1)
2	Q2	Circuit-breaker	TECO	BM-63C/3020S	20A	1	YE40302003000	
3	Q3	Circuit-breaker	TECO	BM-63C/3006S	6A	1	YE40300603000	(2)(3)
4	Q4	Circuit-breaker	TECO	BM-63C/3006S	6A	1	YE40300603000	(6)
5	K1	Contact	SIEMENS	3RT6017-1AB01	24VAC 50/60Hz	1	YE00601702500	
6		Auxiliary contact	SIEMENS	3RH6911-1HA11	1NC+1NO	1	YE00691100100	(5)
7	K2	Contact	SIEMENS	3RT6015-1AB01	24VAC 50/60Hz	1	YE00601502500	(2)(3)
8		Auxiliary contact	SIEMENS	3RH6911-1HA11	1NC+1NO	1	YE00691100100	(2)(3)
9	K3	Contact	SIEMENS	3RT6015-1AB01	24VAC 50/60Hz	1	YE00601502500	(6)
10	K4	Contact	SIEMENS	3RT6018-1AB02	24VAC 50/60Hz	1	YE00601802600	(5)
11	K5	Safety relay	PILZ	PNOZ X2.8P	24VAC/DC	1	YE04023000000	(5)
12	K6	Middle relay	Honeywell	GR-2C-AC24V	24VAC	1	YE03022400300	(2)(3)
13	K7	Time relay	YUYUN	TRF-N/3M	24VAC	1	YE86032400000	(2)(3)
14	K8	VR Dialer	YUYUN	CP-02A	24VAC	1	YE80999900600	(7)
15	F1	Overload relay	SIEMENS	3RU6116-1KB0	9-12.5A	1	YE01169125000	
16	F2	Overload relay	SIEMENS	3RU6116-1AB0	1.1-1.6A	1	YE01160110000	(2)
17	F2	Overload relay	SIEMENS	3RU6116-0JB0	0.7-1A	1	YE01160700000	(3)
18	F3	Overload relay	SIEMENS	3RU6116-0FB0	0.35-0.5A	1	YE01161350000	(6)
19	T	Transformer	BAIYUN	IN=400V OUT=24V	120VA	1	YE70402400700	
20	FU1	Fuse	MRO	MR0/32A/2P	2P	1	YE41032200000	
21		Fuse core	MRO	2A/10x38/500V	2A(Fuse core)	2	YE46002000100	
22	FU2	Fuse	YINDA	FS-10	----	1	YE41001000000	
23		Glass tube	----	6x30	5A	1	YE46630500100	
24	X1	Terminal board	HONEYWELL	2.5mm <sup>2</sup>	----	8	YE60002503200	
25				2.5mm <sup>2</sup> PE	----	2	YE60002503400	
<b>版本</b> Ver.D Notes: (1)Means it's not the material inside the control box.(2) Means accessories for material conveying blower.(3) means accessories for spiral spring conveyor.								
				Title	SG-204-ZNH	Drawing NO	Scale	Page 13
				Version	I	SG-16N/20N系列-CE-400V-I-13	Standard	CE
				Designer		Electrical Components List 1		Voltage
				Proofread by				Frequency
				Checked by	20171206			4.00V
				Modified by				5.0HZ
				Modify date				
				Before modification				
				After modification				
				Date				
				Approved by				
				Drawer				
				Totality	14			
				Pages	4.00V			
				Frequency	5.0HZ			



1	2		3	4	5	6	7	8
NO.	Symbol	Name	Manufacturer	Type	Specification	Number	Material number	Remark
26				2.5mm <sup>2</sup>	----	3	YE60002503200	(2)(3)
27				2.5mm <sup>2</sup> PE	----	1	YE60002503400	(2)(3)
28	A			2.5mm <sup>2</sup>	----	4	YE60002503200	(4)
29				2.5mm <sup>2</sup>	----	2	YE60002503200	(5)
30				2.5mm <sup>2</sup>	----	3	YE60002503200	(6)
31				2.5mm <sup>2</sup> PE	----	1	YE60002503400	(6)
32				2.5mm <sup>2</sup>	----	2	YE60002503200	(7)
33	X2	Terminal board	HONEYWELL	2.5mm <sup>2</sup>	----	2	YE60002503200	
34	X10	Metal joint	SHINI	254-P/R 公	4P	1	YE68025400000	(1)(4)
35			SHINI	254-P/R 母	4P	1	YE68025400100	(1)(4)
36	S1	Emergency stop button	SCHNEIDER	XB2BS542C	400VAC	1	YE11254200000	(1)
37		Contact block	SCHNEIDER	ZB2BE102C	1NC	1	YE00210203100	(1)(5)
38	S2	Stop button	SCHNEIDER	XB2BA22C	400VAC	1	YE11222000000	(1)
39	S3,H1	Start button	SCHNEIDER	XB2BW33B1C	24VAC/DC	1	YE11233100000	(1)
40		Contact block	SCHNEIDER	ZB2BE101C	1NO	1	YE00210103100	(1)(5)
41	S4	Safety switch	SCHMERSRC	AZ-17-11ZK	AC-17	1	YE16171100000	(1)
42	S4	Safety switch	SCHMERSAL	AZ16-02ZVRK-M16-1476-1	250V 3A	1	YE16147600000	(1)(5)
43	S5	Alternative switch	----	R210-C5LBW4P	----	1	YE10210400000	(7)
44	H2	Frequency warning lamp	SHINI	LED-3501	24VAC	1	YE83305100900	(1)
45	H3	Buzzer	TEND	EA-2	24VAC	1	YE84240200000	(1)(4)
46	MS	Material level sensor	SIPAI	SR-80	24VAC	1	YE15802400100	(1)(4)
47	M1	Granulating motor	---	4.0kW	400V 50/60Hz	1	---	(1)
48	M2	Conveying blower	---	0.55kW	400V 50/60Hz	1	---	(1)(2)
49	M2	Spring conveyor	---	0.18kW	400V 50/60Hz	1	---	(1)(3)
50	M3	Dust-removing blower	---	0.12kW	400V 50/60Hz	1	---	(1)(6)
版本	Ver. D	(4) Means optional accessories of full-receive alarm device.(5)Stand for optional safety relay.(6)Means optional accessories of dedusting blower.(7)Means accessories for VR instant recycling.						
				Drawer	Version	Title		Scale
				Designer	Approved by	SG-204-ZNH		Page 14
				Proofread by	Electrical Components List 2			Totally 14 Pages
				Checked by	SG-16N/20N系列-CE-400V-1-14			CE
				Modified by	SHINI			Voltage
				Modify date	Shini Plastics Technologies, Inc.			Frequency
				Before modification	20171206			400V
				After modification				50HZ
1	2	3	4	5	6	7	8	