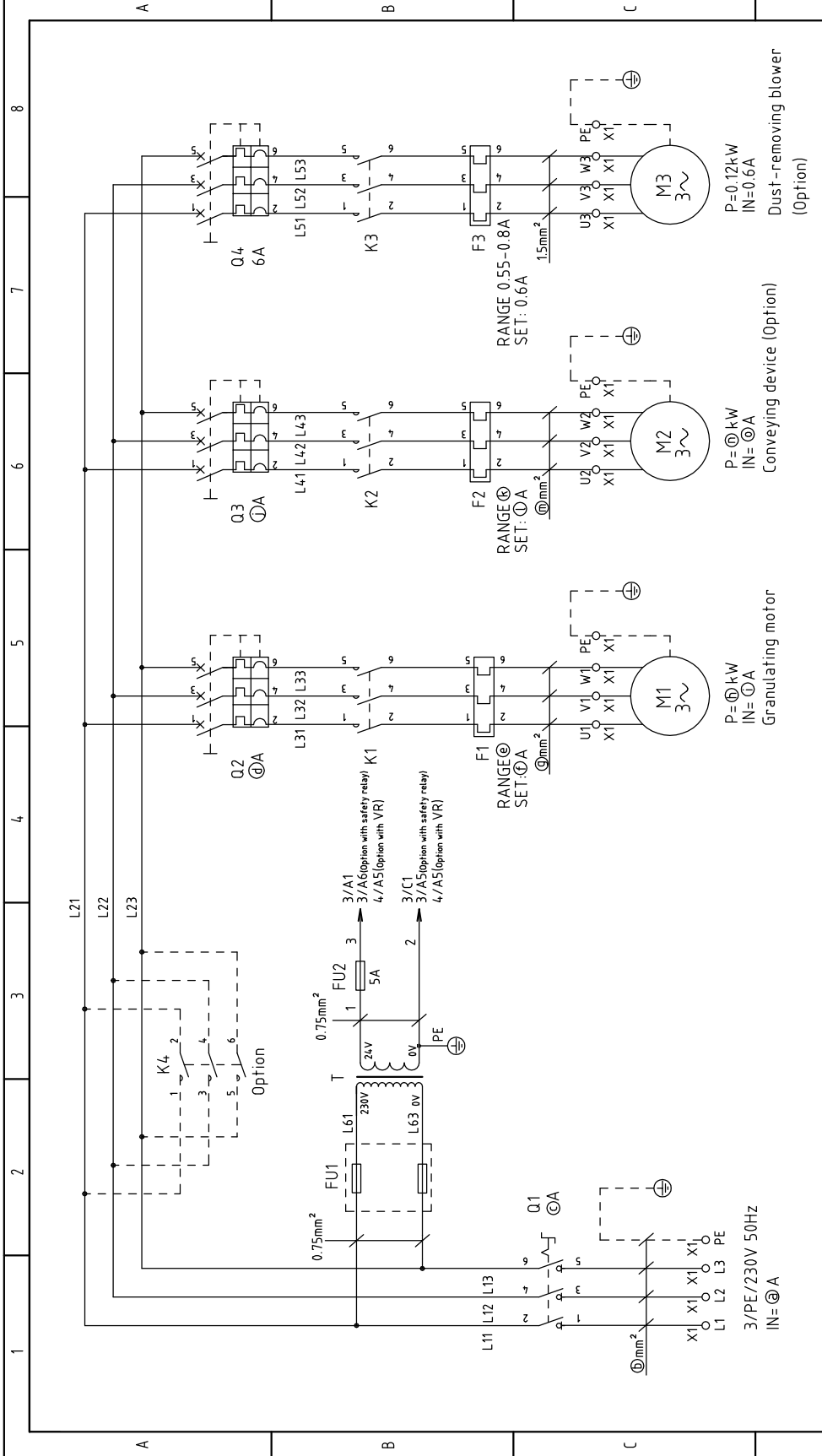


<p>ⓐ Total current ⓑ Main power wire dia. ⓒ Rated current of the main power supply</p> <p>ⓐ Granulating motor circuit breaker ⓑ Granulating motor loader ⓒ Setting of granulating motor loader</p> <p>ⓐ Granulating motor wire diameter ⓑ Granulating motor power ⓒ Granulating motor current</p> <p>ⓐ Conveying blower breaker ⓑ Conveying blower loader ⓒ Setting of conveying blower</p> <p>ⓐ Conveying blower wire diameter ⓑ Conveying blower power ⓒ Conveying blower current</p>	<table border="1"> <thead> <tr> <th rowspan="2">Symbol Mode</th> <th rowspan="2">Ver.</th> <th colspan="10"></th> </tr> <tr> <th>ⓐ</th> <th>ⓑ</th> <th>ⓒ</th> <th>ⓓ</th> <th>ⓔ</th> <th>ⓕ</th> <th>ⓖ</th> <th>ⓗ</th> <th>Ⓢ</th> <th>Ⓣ</th> </tr> </thead> <tbody> <tr> <td>SG-1621N</td> <td>Ver.D</td> <td>10.0</td> <td>2.5</td> <td>16</td> <td>20</td> <td>5.5-8</td> <td>6.9</td> <td>1.5</td> <td>1.5</td> <td>6.9</td> <td></td> <td></td> <td></td> <td></td> <td></td> <td></td> <td></td> <td></td> <td></td> <td></td> </tr> <tr> <td>SG-1628N</td> <td>Ver.D</td> <td>12.2</td> <td>2.5</td> <td>16</td> <td>25</td> <td>9-12.5</td> <td>9.1</td> <td>2.5</td> <td>2.2</td> <td>9.1</td> <td></td> <td></td> <td></td> <td></td> <td></td> <td></td> <td></td> <td></td> <td></td> <td></td> </tr> <tr> <td>SG-1628D</td> <td>Ver.B</td> <td>12.2</td> <td>2.5</td> <td>16</td> <td>25</td> <td>9-12.5</td> <td>9.1</td> <td>2.5</td> <td>2.2</td> <td>9.1</td> <td></td> <td></td> <td></td> <td></td> <td></td> <td></td> <td></td> <td></td> <td></td> <td></td> </tr> <tr> <td>SG-1635N</td> <td>Ver.D</td> <td>12.2</td> <td>2.5</td> <td>16</td> <td>25</td> <td>9-12.5</td> <td>9.1</td> <td>2.5</td> <td>2.2</td> <td>9.1</td> <td></td> <td></td> <td></td> <td></td> <td></td> <td></td> <td></td> <td></td> <td></td> <td></td> </tr> <tr> <td>SG-2028N</td> <td>Ver.D</td> <td>12.2</td> <td>2.5</td> <td>16</td> <td>25</td> <td>9-12.5</td> <td>9.1</td> <td>2.5</td> <td>2.2</td> <td>9.1</td> <td></td> <td></td> <td></td> <td></td> <td></td> <td></td> <td></td> <td></td> <td></td> <td></td> </tr> <tr> <td>SG-1635NH</td> <td>Ver.D</td> <td>15.6</td> <td>2.5</td> <td>25</td> <td>32</td> <td>11-16</td> <td>12.5</td> <td>2.5</td> <td>3.0</td> <td>12.5</td> <td></td> <td></td> <td></td> <td></td> <td></td> <td></td> <td></td> <td></td> <td></td> <td></td> </tr> <tr> <td>SG-2028NH</td> <td>Ver.D</td> <td>15.6</td> <td>2.5</td> <td>25</td> <td>32</td> <td>11-16</td> <td>12.5</td> <td>2.5</td> <td>3.0</td> <td>12.5</td> <td></td> <td></td> <td></td> <td></td> <td></td> <td></td> <td></td> <td></td> <td></td> <td></td> </tr> <tr> <td>SG-2042N</td> <td>Ver.D</td> <td>15.6</td> <td>2.5</td> <td>25</td> <td>32</td> <td>11-16</td> <td>12.5</td> <td>2.5</td> <td>3.0</td> <td>12.5</td> <td></td> <td></td> <td></td> <td></td> <td></td> <td></td> <td></td> <td></td> <td></td> <td></td> </tr> <tr> <td>SG-2042NH</td> <td>Ver.D</td> <td>19.1</td> <td>4.0</td> <td>32</td> <td>40</td> <td>14-20</td> <td>16.0</td> <td>4.0</td> <td>4.0</td> <td>16.0</td> <td></td> <td></td> <td></td> <td></td> <td></td> <td></td> <td></td> <td></td> <td></td> <td></td> </tr> </tbody> </table>	Symbol Mode	Ver.											ⓐ	ⓑ	ⓒ	ⓓ	ⓔ	ⓕ	ⓖ	ⓗ	Ⓢ	Ⓣ	SG-1621N	Ver.D	10.0	2.5	16	20	5.5-8	6.9	1.5	1.5	6.9											SG-1628N	Ver.D	12.2	2.5	16	25	9-12.5	9.1	2.5	2.2	9.1											SG-1628D	Ver.B	12.2	2.5	16	25	9-12.5	9.1	2.5	2.2	9.1											SG-1635N	Ver.D	12.2	2.5	16	25	9-12.5	9.1	2.5	2.2	9.1											SG-2028N	Ver.D	12.2	2.5	16	25	9-12.5	9.1	2.5	2.2	9.1											SG-1635NH	Ver.D	15.6	2.5	25	32	11-16	12.5	2.5	3.0	12.5											SG-2028NH	Ver.D	15.6	2.5	25	32	11-16	12.5	2.5	3.0	12.5											SG-2042N	Ver.D	15.6	2.5	25	32	11-16	12.5	2.5	3.0	12.5											SG-2042NH	Ver.D	19.1	4.0	32	40	14-20	16.0	4.0	4.0	16.0											<table border="1"> <thead> <tr> <th colspan="4">Equipped with a air blower for conveying</th> <th colspan="4">Equipped with a spiral spring conveyor</th> </tr> <tr> <th>ⓙ</th> <th>Ⓚ</th> <th>Ⓛ</th> <th>Ⓜ</th> <th>Ⓝ</th> <th>Ⓞ</th> <th>Ⓟ</th> <th>Ⓠ</th> </tr> </thead> <tbody> <tr> <td>6</td> <td>2.2-3.2</td> <td>2.5</td> <td>1.5</td> <td>0.55</td> <td>2.5</td> <td>6</td> <td>1.1-1.6</td> </tr> <tr> <td>6</td> <td>2.2-3.2</td> <td>2.5</td> <td>1.5</td> <td>0.55</td> <td>2.5</td> <td>6</td> <td>1.1-1.6</td> </tr> <tr> <td>6</td> <td>2.2-3.2</td> <td>2.5</td> <td>1.5</td> <td>0.55</td> <td>2.5</td> <td>6</td> <td>1.1-1.6</td> </tr> <tr> <td>6</td> <td>2.2-3.2</td> <td>2.5</td> <td>1.5</td> <td>0.55</td> <td>2.5</td> <td>6</td> <td>1.1-1.6</td> </tr> <tr> <td>6</td> <td>2.2-3.2</td> <td>2.5</td> <td>1.5</td> <td>0.55</td> <td>2.5</td> <td>6</td> <td>1.1-1.6</td> </tr> <tr> <td>6</td> <td>2.2-3.2</td> <td>2.5</td> <td>1.5</td> <td>0.55</td> <td>2.5</td> <td>6</td> <td>1.1-1.6</td> </tr> <tr> <td>6</td> <td>2.2-3.2</td> <td>2.5</td> <td>1.5</td> <td>0.55</td> <td>2.5</td> <td>6</td> <td>1.1-1.6</td> </tr> <tr> <td>6</td> <td>2.2-3.2</td> <td>2.5</td> <td>1.5</td> <td>0.55</td> <td>2.5</td> <td>6</td> <td>1.1-1.6</td> </tr> <tr> <td>6</td> <td>2.2-3.2</td> <td>2.5</td> <td>1.5</td> <td>0.55</td> <td>2.5</td> <td>6</td> <td>1.1-1.6</td> </tr> <tr> <td>6</td> <td>2.2-3.2</td> <td>2.5</td> <td>1.5</td> <td>0.55</td> <td>2.5</td> <td>6</td> <td>1.1-1.6</td> </tr> </tbody> </table>	Equipped with a air blower for conveying				Equipped with a spiral spring conveyor				ⓙ	Ⓚ	Ⓛ	Ⓜ	Ⓝ	Ⓞ	Ⓟ	Ⓠ	6	2.2-3.2	2.5	1.5	0.55	2.5	6	1.1-1.6	6	2.2-3.2	2.5	1.5	0.55	2.5	6	1.1-1.6	6	2.2-3.2	2.5	1.5	0.55	2.5	6	1.1-1.6	6	2.2-3.2	2.5	1.5	0.55	2.5	6	1.1-1.6	6	2.2-3.2	2.5	1.5	0.55	2.5	6	1.1-1.6	6	2.2-3.2	2.5	1.5	0.55	2.5	6	1.1-1.6	6	2.2-3.2	2.5	1.5	0.55	2.5	6	1.1-1.6	6	2.2-3.2	2.5	1.5	0.55	2.5	6	1.1-1.6	6	2.2-3.2	2.5	1.5	0.55	2.5	6	1.1-1.6	6	2.2-3.2	2.5	1.5	0.55	2.5	6	1.1-1.6	<table border="1"> <tr> <td colspan="2">Title</td> <td colspan="2">Drawing NO.</td> <td colspan="2">Page</td> </tr> <tr> <td colspan="2">SG-16N/20N系列</td> <td colspan="2">SG-16N/20N系列-CE-230V-I-1</td> <td colspan="2">1</td> </tr> <tr> <td colspan="2">Power, wire diameter, Ammeter</td> <td colspan="2">Standard</td> <td colspan="2">Voltage</td> </tr> <tr> <td colspan="2"></td> <td colspan="2">CE</td> <td colspan="2">230V</td> </tr> <tr> <td colspan="2">Mark</td> <td colspan="2">Before modification</td> <td colspan="2">Frequency</td> </tr> <tr> <td colspan="2"></td> <td colspan="2">After modification</td> <td colspan="2">50HZ</td> </tr> <tr> <td colspan="2">Version</td> <td colspan="2">Approved by</td> <td colspan="2">Totally</td> </tr> <tr> <td colspan="2">1</td> <td colspan="2">20171205</td> <td colspan="2">14</td> </tr> <tr> <td colspan="2">Date</td> <td colspan="2">Date</td> <td colspan="2">Pages</td> </tr> <tr> <td colspan="2">20171205</td> <td colspan="2">20171205</td> <td colspan="2">8</td> </tr> </table>	Title		Drawing NO.		Page		SG-16N/20N系列		SG-16N/20N系列-CE-230V-I-1		1		Power, wire diameter, Ammeter		Standard		Voltage				CE		230V		Mark		Before modification		Frequency				After modification		50HZ		Version		Approved by		Totally		1		20171205		14		Date		Date		Pages		20171205		20171205		8	
Symbol Mode	Ver.																																																																																																																																																																																																																																																																																																																																																																																	
		ⓐ	ⓑ	ⓒ	ⓓ	ⓔ	ⓕ	ⓖ	ⓗ	Ⓢ	Ⓣ																																																																																																																																																																																																																																																																																																																																																																							
SG-1621N	Ver.D	10.0	2.5	16	20	5.5-8	6.9	1.5	1.5	6.9																																																																																																																																																																																																																																																																																																																																																																								
SG-1628N	Ver.D	12.2	2.5	16	25	9-12.5	9.1	2.5	2.2	9.1																																																																																																																																																																																																																																																																																																																																																																								
SG-1628D	Ver.B	12.2	2.5	16	25	9-12.5	9.1	2.5	2.2	9.1																																																																																																																																																																																																																																																																																																																																																																								
SG-1635N	Ver.D	12.2	2.5	16	25	9-12.5	9.1	2.5	2.2	9.1																																																																																																																																																																																																																																																																																																																																																																								
SG-2028N	Ver.D	12.2	2.5	16	25	9-12.5	9.1	2.5	2.2	9.1																																																																																																																																																																																																																																																																																																																																																																								
SG-1635NH	Ver.D	15.6	2.5	25	32	11-16	12.5	2.5	3.0	12.5																																																																																																																																																																																																																																																																																																																																																																								
SG-2028NH	Ver.D	15.6	2.5	25	32	11-16	12.5	2.5	3.0	12.5																																																																																																																																																																																																																																																																																																																																																																								
SG-2042N	Ver.D	15.6	2.5	25	32	11-16	12.5	2.5	3.0	12.5																																																																																																																																																																																																																																																																																																																																																																								
SG-2042NH	Ver.D	19.1	4.0	32	40	14-20	16.0	4.0	4.0	16.0																																																																																																																																																																																																																																																																																																																																																																								
Equipped with a air blower for conveying				Equipped with a spiral spring conveyor																																																																																																																																																																																																																																																																																																																																																																														
ⓙ	Ⓚ	Ⓛ	Ⓜ	Ⓝ	Ⓞ	Ⓟ	Ⓠ																																																																																																																																																																																																																																																																																																																																																																											
6	2.2-3.2	2.5	1.5	0.55	2.5	6	1.1-1.6																																																																																																																																																																																																																																																																																																																																																																											
6	2.2-3.2	2.5	1.5	0.55	2.5	6	1.1-1.6																																																																																																																																																																																																																																																																																																																																																																											
6	2.2-3.2	2.5	1.5	0.55	2.5	6	1.1-1.6																																																																																																																																																																																																																																																																																																																																																																											
6	2.2-3.2	2.5	1.5	0.55	2.5	6	1.1-1.6																																																																																																																																																																																																																																																																																																																																																																											
6	2.2-3.2	2.5	1.5	0.55	2.5	6	1.1-1.6																																																																																																																																																																																																																																																																																																																																																																											
6	2.2-3.2	2.5	1.5	0.55	2.5	6	1.1-1.6																																																																																																																																																																																																																																																																																																																																																																											
6	2.2-3.2	2.5	1.5	0.55	2.5	6	1.1-1.6																																																																																																																																																																																																																																																																																																																																																																											
6	2.2-3.2	2.5	1.5	0.55	2.5	6	1.1-1.6																																																																																																																																																																																																																																																																																																																																																																											
6	2.2-3.2	2.5	1.5	0.55	2.5	6	1.1-1.6																																																																																																																																																																																																																																																																																																																																																																											
6	2.2-3.2	2.5	1.5	0.55	2.5	6	1.1-1.6																																																																																																																																																																																																																																																																																																																																																																											
Title		Drawing NO.		Page																																																																																																																																																																																																																																																																																																																																																																														
SG-16N/20N系列		SG-16N/20N系列-CE-230V-I-1		1																																																																																																																																																																																																																																																																																																																																																																														
Power, wire diameter, Ammeter		Standard		Voltage																																																																																																																																																																																																																																																																																																																																																																														
		CE		230V																																																																																																																																																																																																																																																																																																																																																																														
Mark		Before modification		Frequency																																																																																																																																																																																																																																																																																																																																																																														
		After modification		50HZ																																																																																																																																																																																																																																																																																																																																																																														
Version		Approved by		Totally																																																																																																																																																																																																																																																																																																																																																																														
1		20171205		14																																																																																																																																																																																																																																																																																																																																																																														
Date		Date		Pages																																																																																																																																																																																																																																																																																																																																																																														
20171205		20171205		8																																																																																																																																																																																																																																																																																																																																																																														





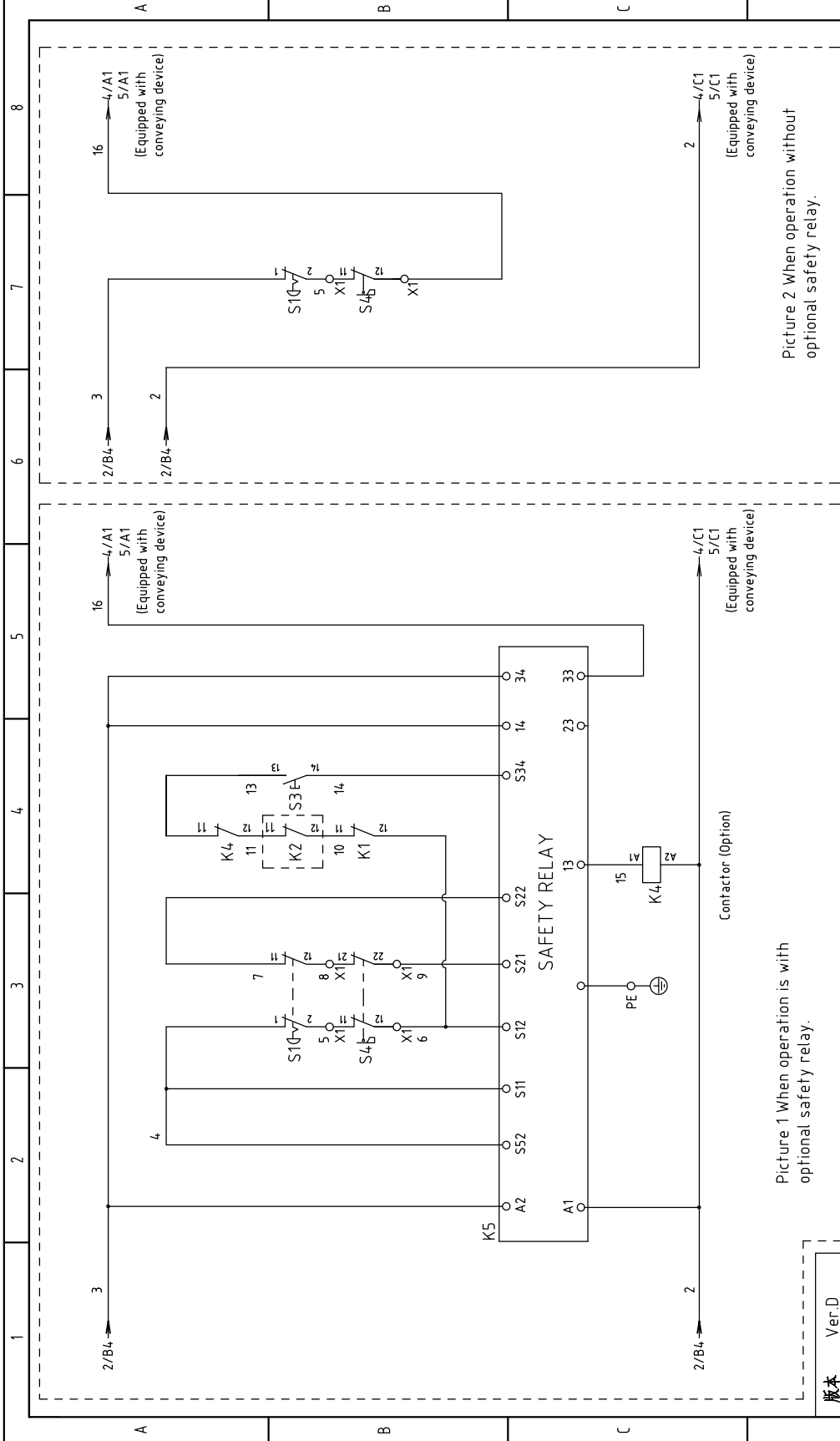
Mark	Before modification	After modification	Modify Date	20171205
Checked by				
Proofread by				
Designer				
Drawer				
Version	I			

Scale	Standard	CE	Page 2	Totally 14	Pages
Voltage					230V
Frequency					50Hz

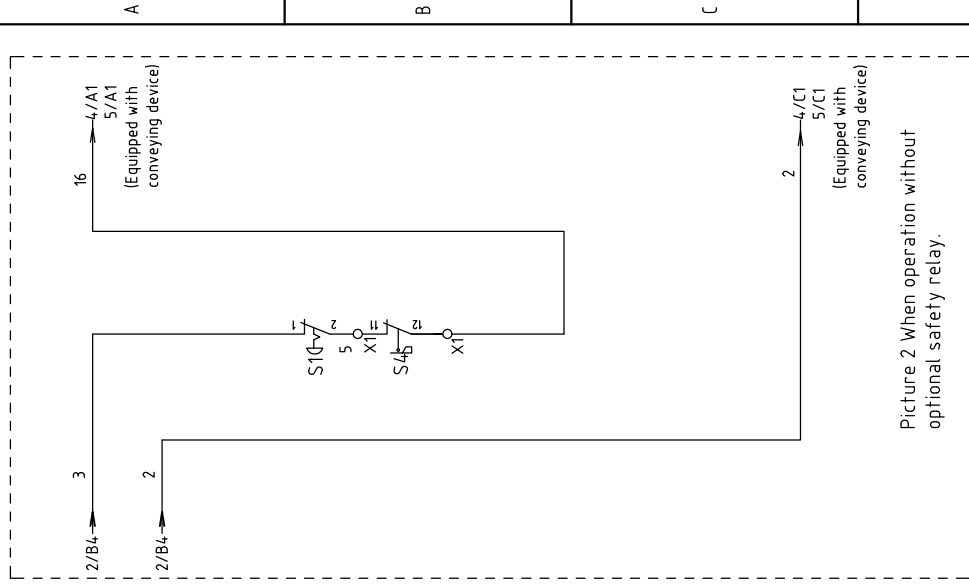
SG-16N/20N系列
Main Circuit Diagram

SG-16N/20N系列-CE-230V-I-2

SHINI
信易塑料机械股份有限公司
Shini Plastics Technologies, Inc.



Picture 1 When operation is with optional safety relay.



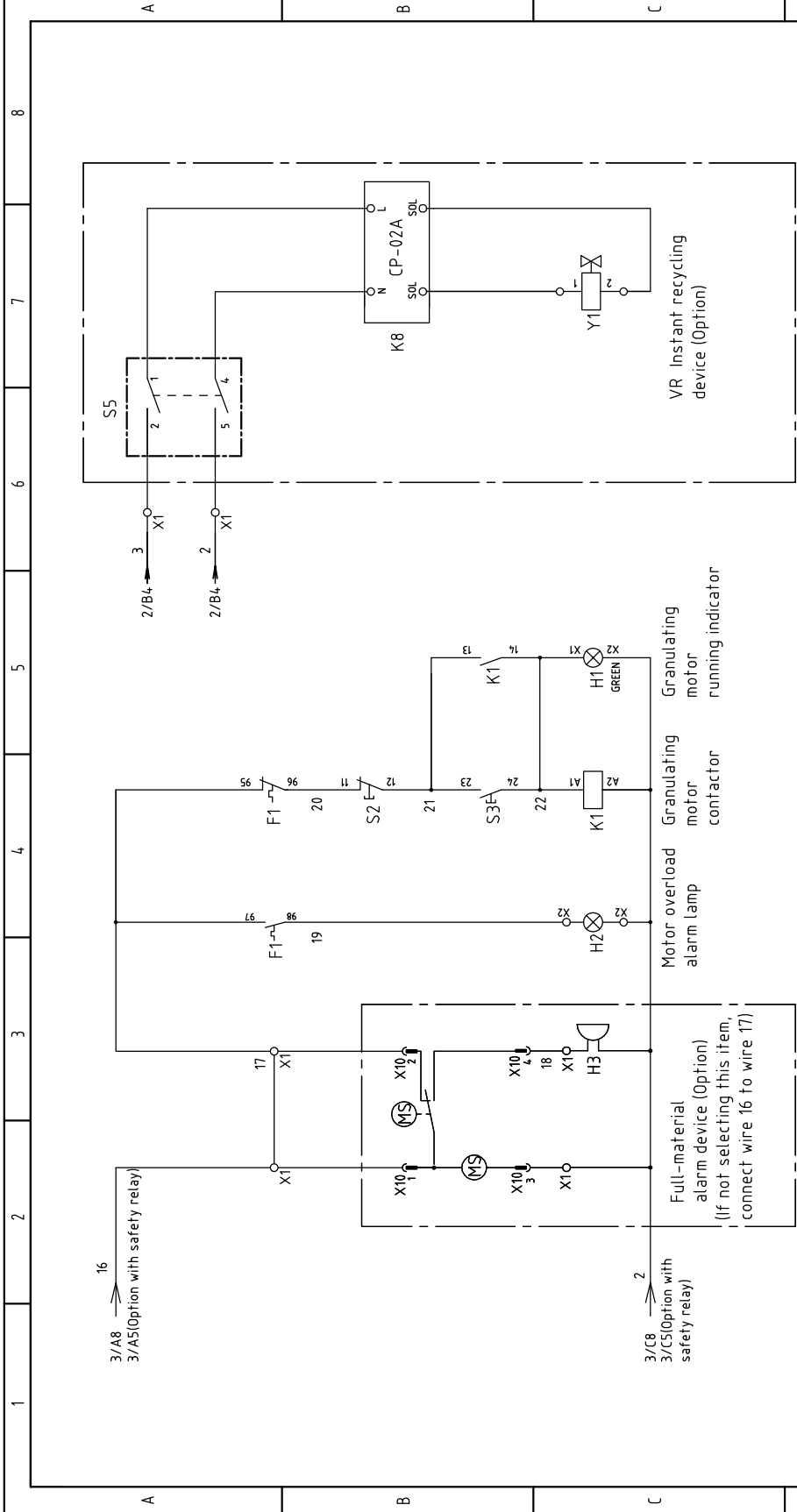
Picture 2 When operation without optional safety relay.

Mark	Before modification	Modified by	Modify date	Checked by	Date
					20171205
	After modification	Modified by	Modify date	Checked by	Date
		Proofread by		Approved by	
		Designer		Version	1
		Drawer			

版本 Ver. D		Title		Scale		Page	
		SG-16N/20N系列		1		3	
		Control Circuit Diagram 1		Standard		CE	
		SG-16N/20N系列-CE-230V-I-3		Voltage		230V	
				Frequency		50HZ	
				Totally		14	
				Pages			

SHINI
信易塑料机械股份有限公司
Shini Plastics Technologies, Inc.

Drawing NO.

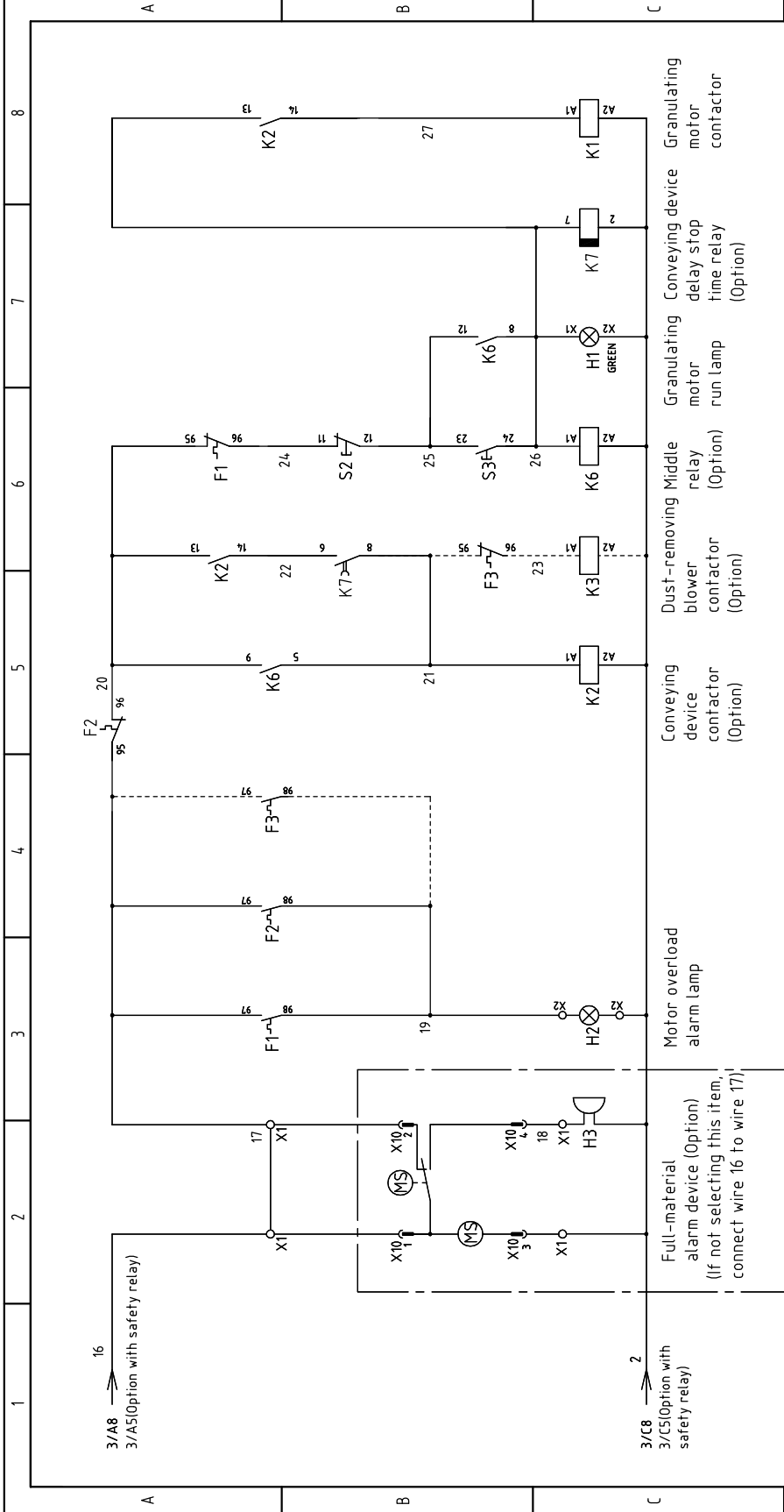


Note: The control circuit is for the application when optional conveying device or optional VR instant recycling device hasn't been selected.

版本 Ver. D


Mark	Before modification	Modified by	Modify date	Checked by	Date	20171205
	After modification	Modified by	Modify date	Checked by	Date	
Designer	Proofread by	Approved by				
Version	-					
Title		SG-16N/20N系列		Control Circuit Diagram 2		20171205
Drawing NO.		SG-16N/20N系列-CE-230V-I-4				
Scale	Standard	CE	Page	4		
Standard	Standard	CE	Totally	14		
Voltage	230V		Pages	14		
Frequency	50HZ		Pages	14		





Note: The control circuit is for the application when optional conveying device or spring conveyor have been selected..

版本	Ver. D
Mark	Before modification
After modification	Modified by
	Modify date
Drawer	
Designer	
Proofread by	
Approved by	
Date	20171205

Scale	Standard	Page	5
Standard	CE	Totally	14
Voltage	230V	Pages	
Frequency	50HZ		
Drawing NO.	SG-16N/20N系列-CE-230V-I-5		
Title	Control Circuit Diagram 3		
 信易塑料机械股份有限公司 Shini Plastics Technologies, Inc.			

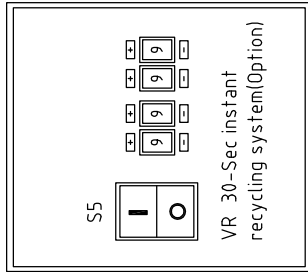
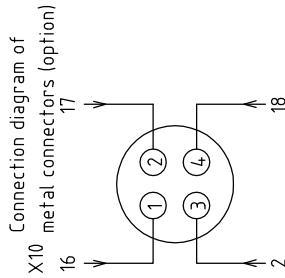
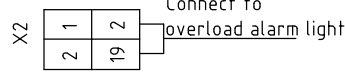
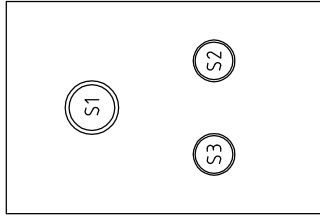
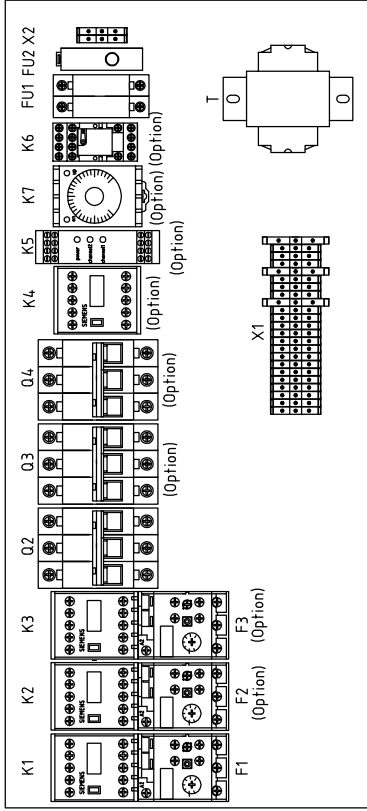
1 2 3 4 5 6 7 8

A

B

C

D



版本 Ver.D

Mark	Before modification	After modification	Modified by	Modify date	Checked by	Proofread by	Designer	Drawer	Version	Title	Drawing NO.	Scale	Page
				20171205					I	SG-16N/20N系列 Electrical Components Layout	SG-16N/20N系列-CE-230V-I-6	Standard	6
									Approved by			Voltage	Totally
												Frequency	Pages
												230V	14
												50HZ	CE

SHINI
信易塑料机械股份有限公司
Shini Plastics Technologies, Inc.

1 2 3 4 5 6 7 8

1	2		3	4	5	6	7	8
NO.	Symbol	Name	Manufacturer	Type	Specification	Number	Material number	Remark
1	Q1	Main switch	EATON	TO-2-1/EA/SVB/16A	16A	1	YE10021160000	(1)
2	Q2	Circuit-breaker	TECO	BM-63C/3020S	20A	1	YE40302003000	
3	Q3	Circuit-breaker	TECO	BM-63C/3006S	6A	1	YE40300603000	(2)(3)
4	Q4	Circuit-breaker	TECO	BM-63C/3006S	6A	1	YE40300603000	(6)
5	K1	Contact	SIEMENS	3RT6016-1AB01	24VAC 50/60Hz	1	YE00601602500	
6		Auxiliary contact	SIEMENS	3RH6911-1HA11	1NC+1NO	1	YE00691100100	(5)
7	K2	Contact	SIEMENS	3RT6015-1AB01	24VAC 50/60Hz	1	YE00601502500	(2)(3)
8		Auxiliary contact	SIEMENS	3RH6911-1HA11	1NC+1NO	1	YE00691100100	(2)(3)
9	K3	Contact	SIEMENS	3RT6015-1AB01	24VAC 50/60Hz	1	YE00601502500	(6)
10	K4	Contact	SIEMENS	3RT6017-1AB02	24VAC 50/60Hz	1	YE00601702600	(5)
11	K5	Safety relay	PILZ	PNOZ X2.8P	24VAC/DC	1	YE04023000000	(5)
12	K6	Middle relay	Honeywell	GR-2C-AC24V	24VAC	1	YE03022400300	(2)(3)
13	K7	Time relay	YUYUN	TRF-N/3M	24VAC	1	YE86032400000	(2)(3)
14	K8	VR Dialer	YUYUN	CP-02A	24VAC	1	YE80999900600	(7)
15	F1	Overload relay	SIEMENS	3RU6116-1HB0	5.5-8A	1	YE01160550000	
16	F2	Overload relay	SIEMENS	3RU1116-1DB0	2.2-3.2A	1	YE01223200200	(2)
17	F2	Overload relay	SIEMENS	3RU6116-1AB0	1.1-1.6A	1	YE01160110000	(3)
18	F3	Overload relay	SIEMENS	3RU6116-0HB0	0.55-0.8A	1	YE01161550000	(6)
19	T	Transformer	BAIYUN	IN=230V OUT=24V	120VA	1	YE700230005500	
20	FU1	Fuse	CHINT	RT28-32	2P	1	YE41032200000	
21		Fuse core	MRO	MRO/2A(10x38)500V	2A(Fuse core)	2	YE46002000100	
22	FU2	Fuse	YINDA	FS-10	----	1	YE41001000000	
23		Glass tube	----	6x30	5A	1	YE46630500100	
24	X1	Terminal board	HONEYWELL	2.5mm ²	----	8	YE60002503200	
25				2.5mm ² PE	----	2	YE60002503400	
版本	Ver.D	Notes: (1)Means it's not the material inside the control box.(2) Means accessories for material conveying blower.(3) means accessories for spiral spring conveyor.			Title		Scale	
		Drawer	Version	1	SG-1621N	Drawing NO		Page 7
		Designer	Approved by		Electrical Components List 1	SG-16N/20N系列-CE-230V-I-7		Totally 14 Pages
		Proofread by	Date	20171205	SHINI		CE	Voltage 230V
Mark	Before modification	Modified by	Modify date		信易塑料机械股份有限公司 Shini Plastics Technologies, Inc.		Frequency	50HZ
1	2	3	4	5	6	7	8	

1	2		3	4	5	6	7	8
NO.	Symbol	Name	Manufacturer	Type	Specification	Number	Material number	Remark
26				2.5mm ²	----	3	YE60002503200	(2)(3)
27				2.5mm ² PE	----	1	YE60002503400	(2)(3)
28	A			2.5mm ²	----	4	YE60002503200	(4)
29				2.5mm ²	----	2	YE60002503200	(5)
30				2.5mm ²	----	3	YE60002503200	(6)
31				2.5mm ² PE	----	1	YE60002503400	(6)
32				2.5mm ²	----	2	YE60002503200	(7)
33	X2	Terminal board	HONEYWELL	2.5mm ²	----	2	YE60002503200	
34	X10	Metal joint	SHINI	PLT-254-PM 公	4P	1	YE68025400000	(1)(4)
35			SHINI	PLT-254-RF 母	4P	1	YE68025400100	(1)(4)
36	S1	Emergency stop button	SCHNEIDER	XB2BS542C	400VAC	1	YE11254200000	(1)
37		Contact block	SCHNEIDER	ZB2BE102C	1NC	1	YE00210203100	(1)(5)
38	S2	Stop button	SCHNEIDER	XB2BA22C	400VAC	1	YE11222000000	(1)
39	S3.H1	Start button	SCHNEIDER	XB2BW33B1C	24VAC/DC	1	YE11233100000	(1)
40		Contact block	SCHNEIDER	ZB2BE101C	1NO	1	YE00210103100	(1)(5)
41	S4	Safety switch	SCHMERSRC	AZ-17-11ZK	AC-17	1	YE16171100000	(1)
42	S4	Safety switch	SCHMERSAL	AZ16-02ZVRK-M16-1476-1	250V 3A	1	YE16147600000	(1)(5)
43	S5	Alternative switch	----	R210-C5LBW4P	----	1	YE10210400000	(7)
44	H2	Frequency warning lamp	SHINI	LED-3501	24VAC	1	YE83305100900	(1)
45	H3	Buzzer	TEND	EA-2	24VAC	1	YE84240200000	(1)(4)
46	MS	Material level sensor	SIPAI	ST-80	24VAC	1	YE15802400100	(1)(4)
47	M1	Granulating motor	---	1.5kW	230V 50/60Hz	1	---	(1)
48	M2	Conveying blower	---	0.55kW	230V 50/60Hz	1	---	(1)(2)
49	M2	Spring conveyor	---	0.18kW	230V 50/60Hz	1	---	(1)(3)
50	M3	Dust-removing blower	---	0.12kW	230V 50/60Hz	1	---	(1)(6)
版本 Ver.D (4) Means optional accessories of full-receive alarm device.(5)Stand for optional safety relay.(6)Means optional accessories of dedusting blower.(7)Means accessories for VR instant recycling.								
				Drawer	Version	Title		Scale
				Designer	Approved by	SG-16Z1N		Page 8
				Proofread by		Electrical Components List 2		Standard
				Checked by	Date	SG-16N/20N系列-CE-230V-I-8		Totally 14
				Modified by	20171205	Voltage		Pages
				Modify date		Frequency		230V
				Before modification		SHINI		50Hz
						Shini Plastics Technologies, Inc.		
						Drawing NO.		
						SG-16N/20N系列-CE-230V-I-8		
						Voltage		
						Frequency		
						Page		
						Totally		
						Pages		

1	2		3	4	5	6	7	8
NO.	Symbol	Name	Manufacturer	Type	Specification	Number	Material number	Remark
1	Q1	Main switch	EATON	TO-2-1/EA/SVB/16A	16A	1	YE10021160000	(1)
2	Q2	Circuit-breaker	TECO	BM-63C/3025S	25A	1	YE40302503000	
3	Q3	Circuit-breaker	TECO	BM-63C/3006S	6A	1	YE40300603000	(2)(3)
4	Q4	Circuit-breaker	TECO	BM-63C/3006S	6A	1	YE40300603000	(6)
5	K1	Contact	SIEMENS	3RT6017-1AB01	24VAC 50/60Hz	1	YE00601702500	
6		Auxiliary contact	SIEMENS	3RH6911-1HA11	INC+1NO	1	YE00691100100	(5)
7	K2	Contact	SIEMENS	3RT6015-1AB01	24VAC 50/60Hz	1	YE00601502500	(2)(3)
8		Auxiliary contact	SIEMENS	3RH6911-1HA11	INC+1NO	1	YE00691100100	(2)(3)
9	K3	Contact	SIEMENS	3RT6015-1AB01	24VAC 50/60Hz	1	YE00601502500	(6)
10	K4	Contact	SIEMENS	3RT6018-1AB02	24VAC 50/60Hz	1	YE00601802600	(5)
11	K5	Safety relay	PILZ	PNOZ X2.8P	24VAC/DC	1	YE04023000000	(5)
12	K6	Middle relay	Honeywell	GR-2C-AC24V	24VAC	1	YE03022400300	(2)(3)
13	K7	Time relay	YUYUN	TRF-N/3M	24VAC	1	YE86032400000	(2)(3)
14	K8	VR Dialer	YUYUN	CP-02A	24VAC	1	YE80999900600	(7)
15	F1	Overload relay	SIEMENS	3RU6116-1KB0	9-12.5A	1	YE01169125000	
16	F2	Overload relay	SIEMENS	3RU6116-1DB0	2.2-3.2A	1	YE01160220000	(2)
17	F2	Overload relay	SIEMENS	3RU6116-1AB0	1.1-1.6A	1	YE01160110000	(3)
18	F3	Overload relay	SIEMENS	3RU6116-0HB0	0.55-0.8A	1	YE01161550000	(6)
19	T	Transformer	BAIYUN	IN=230V OUT=24V	120VA	1	YE700230005500	
20	FU1	Fuse	CHINT	RT28-32	2P	1	YE41032200000	
21		Fuse core	MRO	MRO/2A(10x38)500V	2A(Fuse core)	2	YE46002000100	
22	FU2	Fuse	YINDA	FS-10	----	1	YE41001000000	
23		Glass tube	----	6x30	5A	1	YE46630500100	
24	X1	Terminal board	HONEYWELL	2.5mm ²	----	8	YE60002503200	
25				2.5mm ² PE	----	2	YE60002503400	
版本 Ver.D (SG-1628D 版本 Ver.B Notes: (1)Means it's not the material inside the control box.(2) Means accessories for material conveying blower.(3) means accessories for spiral spring conveyor								
				Title	SG-1628N/1628D/1635N/2028N	Drawing NO.	SG-16N/20N系列-CE-230V-I-9	Scale
				Version	I	Electrical Components List 1	Standard	CE
				Designer			Voltage	230V
				Proofread by			Frequency	50HZ
				Checked by		Date	20171205	
				Modified by		Modify date		
				Before modification				
				After modification				
				Mark				
				Page	9	Totality	14	Pages
				SHINI	信易塑料机械股份有限公司	Shini Plastics Technologies, Inc.		

1	2		3	4	5	6	7	8
NO.	Symbol	Name	Manufacturer	Type	Specification	Number	Material number	Remark
26				2.5mm ²	----	3	YE60002503200	(2)(3)
27				2.5mm ² PE	----	1	YE60002503400	(2)(3)
28				2.5mm ²	----	4	YE60002503200	(4)
29				2.5mm ²	----	2	YE60002503200	(5)
30				2.5mm ²	----	3	YE60002503200	(6)
31				2.5mm ² PE	----	1	YE60002503400	(6)
32				2.5mm ²	----	2	YE60002503200	(7)
33	X2	Terminal board	HONEYWELL	2.5mm ²	----	2	YE60002503200	
34	X10	Metal joint	SHINI	PLT-254-PM 公	4P	1	YE68025400000	(1)(4)
35			SHINI	PLT-254-RF 母	4P	1	YE68025400100	(1)(4)
36	S1	Emergency stop button	SCHNEIDER	XB2BS542C	400VAC	1	YE11254200000	(1)
37		Contact block	SCHNEIDER	ZB2BE102C	1NC	1	YE00210203100	(1)(5)
38	S2	Stop button	SCHNEIDER	XB2BA22C	400VAC	1	YE11222000000	(1)
39	S3.H1	Start button	SCHNEIDER	XB2BW33B1C	24VAC/DC	1	YE11233100000	(1)
40		Contact block	SCHNEIDER	ZB2BE101C	1NO	1	YE00210103100	(1)(5)
41	S4	Safety switch	SCHMERSRC	AZ-17-11ZK	AC-17	1	YE16171100000	(1)
42	S4	Safety switch	SCHMERSAL	AZ16-02ZVRK-M16-1476-1	250V 3A	1	YE16147600000	(1)(5)
43	S5	Alternative switch	----	R210-CSLBW4P	----	1	YE10210400000	(7)
44	H2	Frequency warning lamp	SHINI	LED-3501	24VAC	1	YE83305100900	(1)
45	H3	Buzzer	TEND	EA-2	24VAC	1	YE84240200000	(1)(4)
46	MS	Material level sensor	SIPAI	ST-80	24VAC	1	YE15802400100	(1)(4)
47	M1	Granulating motor	---	2.2kW	230V 50/60Hz	1	---	(1)
48	M2	Conveying blower	---	0.55kW	230V 50/60Hz	1	---	(1)(2)
49	M2	Spring conveyor	---	0.18kW	230V 50/60Hz	1	---	(1)(3)
50	M3	Dust-removing blower	---	0.12kW	230V 50/60Hz	1	---	(1)(6)
版本	Ver.D	(SG-1628D 版本B) (4) Means optional accessories of full-receive alarm device.(5)Stand for optional safety relay.(6)Means optional accessories of dedusting blower.(7)Means accessories for VR instant recycling.						
				Version	Title		Scale	Page
				Designer	SG-1628N/1628D/1635N/2028N		10	10
				Proofread by	Electrical Components List 2		Standard	Totally
				Checked by	SHINI		CE	14
				Modified by	信易塑料机械股份有限公司		Voltage	230V
				Modify date	20171205		Frequency	50HZ
1	2	3	4	5	6	7	8	



1	2		3	4	5	6	7	8
NO.	Symbol	Name	Manufacturer	Type	Specification	Number	Material number	Remark
1	Q1	Main switch	EATON	P1-25/EA/SVB/25A	25A	1	YE1012525000	(1)
2	Q2	Circuit-breaker	TECO	BM-63C/3032S	32A	1	YE40303203000	
3	Q3	Circuit-breaker	TECO	BM-63C/3006S	6A	1	YE40300603000	(2)
4	Q4	Circuit-breaker	TECO	BM-63C/3006S	6A	1	YE40300603000	(6)
5	K1	Contact	SIEMENS	3RT6018-1AB01	220V 50/60Hz	1	YE00601802500	
6		Auxiliary contact	SIEMENS	3RH6911-1HA11	1NC+1NO	1	YE00691100100	(5)
7	K2	Contact	SIEMENS	3RT6015-1AB01	24VAC 50/60Hz	1	YE00601502500	(2)(3)
8		Auxiliary contact	SIEMENS	3RH6911-1HA11	1NC+1NO	1	YE00691100100	(2)(3)
9	K3	Contact	SIEMENS	3RT6015-1AB01	24VAC 50/60Hz	1	YE00601502500	(6)
10	K4	Contact	SIEMENS	3RT6025-1AC20	24VAC 50/60Hz	1	YE00602502600	(5)
11	K5	Safety relay	PILZ	PNOZ X2.8P	24VAC/DC	1	YE04023000000	(5)
12	K6	Middle relay	Honeywell	GR-2C-AC24V	24VAC	1	YE03022400300	(2)(3)
13	K7	Time relay	YUYUN	TRF-N/3M	24VAC	1	YE86032400000	(2)(3)
14	K8	VR Dialer	YUYUN	CP-02A	24VAC	1	YE80999900600	(7)
15	F1	Overload relay	SIEMENS	3RU6116-4AB0	11-16A	1	YE01611640000	
16	F2	Overload relay	SIEMENS	3RU6116-1DB0	2.2-3.2A	1	YE01160220000	(2)
17	F2	Overload relay	SIEMENS	3RU6116-1AB0	1.1-1.6A	1	YE01160110000	(3)
18	F3	Overload relay	SIEMENS	3RU6116-0HB0	0.55-0.8A	1	YE01161550000	(6)
19	T	Transformer	BAIYUN	IN=230V OUT=24V	120VA	1	YE70023005500	
20	FU1	Fuse	CHINT	RT28-32	2P	1	YE41032200000	
21		Fuse core	MRO	MRO/2A(10x38)500V	2A(Fuse core)	2	YE46002000100	
22	FU2	Fuse	YINDA	FS-10	----	1	YE41001000000	
23		Glass tube	----	6x30	5A	1	YE46630500100	
24	X1	Terminal board	HONEYWELL	2.5mm ²	----	8	YE60002503200	
25				2.5mm ² PE	----	2	YE60002503400	
版本 Ver.D Notes: (1)Means it's not the material inside the control box.(2) Means accessories for material conveying blower.(3) means accessories for spiral spring conveyor.								
				Title	SG-1635NH/2028NH/2042N	Drawing NO.	SG-16N/20N系列-CE-230V-I-11	Scale
				Version	I	Electrical Components List 1	Standard	CE
				Designer	Approved by	Voltage	230V	Page 11
				Proofread by	Date	Frequency	50HZ	Totaly 14 Pages
				Checked by	20171205			
				Modified by				
				Modify date				
				Before modification				
				After modification				
1	2		3	4	5	6	7	8



1	2		3	4	5	6	7	8
NO.	Symbol	Name	Manufacturer	Type	Specification	Number	Material number	Remark
26				2.5mm ²	----	3	YE60002503200	(2)(3)
27				2.5mm ² PE	----	1	YE60002503400	(2)(3)
28				2.5mm ²	----	4	YE60002503200	(4)
29				2.5mm ²	----	2	YE60002503200	(5)
30				2.5mm ²	----	3	YE60002503200	(6)
31				2.5mm ² PE	----	1	YE60002503400	(6)
32				2.5mm ²	----	2	YE60002503200	(7)
33	X2	Terminal board	HONEYWELL	2.5mm ²	----	2	YE60002503200	
34	X10	Metal joint	SHINI	PLT-254-PM 公	4P	1	YE68025400000	(1)(4)
35			SHINI	PLT-254-RF 母	4P	1	YE68025400100	(1)(4)
36	S1	Emergency stop button	SCHNEIDER	XB2BS542C	400VAC	1	YE11254200000	(1)
37		Contact block	SCHNEIDER	ZB2BE102C	1NC	1	YE00210203100	(1)(5)
38	S2	Stop button	SCHNEIDER	XB2BA22C	400VAC	1	YE11222000000	(1)
39	S3,H1	Start button	SCHNEIDER	XB2BW33B1C	24VAC/DC	1	YE11233100000	(1)
40		Contact block	SCHNEIDER	ZB2BE101C	1NO	1	YE00210103100	(1)(5)
41	S4	Safety switch	SCHMERSRC	AZ-17-11ZK	AC-17	1	YE16171100000	(1)
42	S4	Safety switch	SCHMERSAL	AZ16-02ZVRK-M16-1476-1	250V 3A	1	YE16147600000	(1)(5)
43	S5	Alternative switch	----	R210-CSLBW4P	----	1	YE10210400000	(7)
44	H2	Frequency warning lamp	SHINI	LED-3501	24VAC	1	YE83305100900	(1)
45	H3	Buzzer	TEND	EA-2	24VAC	1	YE84240200000	(1)(4)
46	MS	Material level sensor	SIPAI	ST-80	24VAC	1	YE15802400100	(1)(4)
47	M1	Granulating motor	---	3.0kW	230V 50/60Hz	1	---	(1)
48	M2	Conveying blower	---	0.55kW	230V 50/60Hz	1	---	(1)(2)
49	M2	Spring conveyor	---	0.18kW	230V 50/60Hz	1	---	(1)(3)
50	M3	Dust-removing blower	---	0.12kW	230V 50/60Hz	1	---	(1)(6)
版本	Ver. D	(4) Means optional accessories of full-receive alarm device.(5)Stand for optional safety relay.(6)Means optional accessories of dedusting blower.(7)Means accessories for VR instant recycling.						
				Drawer	Version	Title		Scale
				Designer	Approved by	SG-1635NH/2028NH/2042N		Page 12
				Proofread by		SG-16N/20N系列-CE-230V-I-12		Standard
				Checked by		Electrical Components List 2		Totally 14 Pages
				Modified by				CE
				Modify date	20171205			Voltage 230V
Mark	Before modification	After modification						Frequency 50Hz



1	2		3	4	5	6	7	8	
NO.	Symbol	Name	Manufacturer	Type	Specification	Number	Material number	Remark	
1	Q1	Main switch	EATON	P1-32/EA/SVB 32A	32A	1	YE10323200000	(1)	
2	Q2	Circuit-breaker	TECO	BM-63C/3040S	40A	1	YE40304003000		
3	Q3	Circuit-breaker	TECO	BM-63C/3006S	6A	1	YE40300603000	(2)(3)	
4	Q4	Circuit-breaker	TECO	BM-63C/3006S	6A	1	YE40300603000	(6)	
5	K1	Contact	SIEMENS	3RT6026-1AC20	24VAC 50/60Hz	1	YE00602602600		
6	K2	Contact	SIEMENS	3RT6015-1AB01	24VAC 50/60Hz	1	YE00601502500	(2)(3)	
7		Auxiliary contact	SIEMENS	3RH6911-1HA11	INC+1NO	1	YE00691100100	(2)(3)	
8	K3	Contact	SIEMENS	3RT6015-1AB01	24VAC 50/60Hz	1	YE00601502500	(6)	
9	K4	Contact	SIEMENS	3RT6026-1AC20	24VAC 50/60Hz	1	YE00602602600	(5)	
10	K5	Safety relay	PILZ	PNQZ X2.8P	24VAC/DC	1	YE04023000000	(5)	
11	K6	Middle relay	Honeywell	GR-2C-AC24V	24VAC	1	YE03022400300	(2)(3)	
12	K7	Time relay	YUYUN	TRF-N/3M	24VAC	1	YE86032400000	(2)(3)	
13	K8	VR Diater	YUYUN	CP-02A	24VAC	1	YE80999900600	(7)	
14	F1	Overload relay	SIEMENS	3RU6126-4BB0	14-20A	1	YE01260140000		
15	F2	Overload relay	SIEMENS	3RU6116-IDB0	2.2-3.2A	1	YE01160220000	(2)	
16	F2	Overload relay	SIEMENS	3RU6116-1AB0	1.1-1.6A	1	YE01160110000	(3)	
17	F3	Overload relay	SIEMENS	3RU6116-0HB0	0.55-0.8A	1	YE01161550000	(6)	
18	T	Transformer	BAIYUN	IN=230V OUT=24V	120VA	1	YE70023005500		
19	FU1	Fuse	CHINT	RT28-32	2P	1	YE41032200000		
20		Fuse core	MRO	MRO/2A(10×38)500V	2A(Fuse core)	2	YE46002000100		
21	FU2	Fuse	YINDA	FS-10	----	1	YE41001000000	(5)	
22		Glass tube	----	6×30	5A	1	YE46630500100		
23	X1	Terminal board	HONEYWELL	4.0mm ²	----	6	YE600000403200		
24				4.0mm ² PE	----	2	YE600000403500		
25				2.5mm ²	----	2	YE60002503200		
版本		Ver.D	Notes: (1)Means it's not the material inside the control box.(2) Means accessories for material conveying blower.(3) means accessories for spiral spring conveyor.						
				Version	Title		Scale	Page	
				1	SG-2042NH		1:3	13	
				Designer	Electrical Components List 1		Standard	Totally	
				Proofread by			CE	14	
				Checked by			Voltage	Pages	
				Modified by			Frequency	230V	
				Modify date	20171205		50HZ		
				Before modification					
				After modification					
				Mark					
				1	5		7	8	
				2	6		7	8	
				3	5		7	8	
				4	5		7	8	
				5	5		7	8	
				6	5		7	8	
				7	5		7	8	
				8	5		7	8	



1	2		3	4	5	6	7	8	
NO.	Symbol	Name	Manufacturer	Type	Specification	Number	Material number	Remark	
26				2.5mm ²	----	3	YE60002503200	(2)(3)	
27				2.5mm ² PE	----	1	YE60002503400	(2)(3)	
28	A			2.5mm ²	----	4	YE60002503200	(4)	
29				2.5mm ²	----	2	YE60002503200	(5)	
30				2.5mm ²	----	3	YE60002503200	(6)	
31				2.5mm ² PE	----	1	YE60002503400	(6)	
32				2.5mm ²	----	2	YE60002503200	(7)	
33	X2	Terminal board	HONEYWELL	2.5mm ²	----	2	YE60002503200		
34	X10	Metal joint	SHINI	PLT-254-PM 公	4P	1	YE68025400000	(1)(4)	
35			SHINI	PLT-254-RF 母	4P	1	YE68025400100	(1)(4)	
36	S1	Emergency stop button	SCHNEIDER	XB2BS542C	400VAC	1	YE11254200000	(1)	
37		Contact block	SCHNEIDER	ZB2BE102C	1NC	1	YE00210203100	(1)(5)	
38	S2	Stop button	SCHNEIDER	XB2BA22C	400VAC	1	YE11222000000	(1)	
39	S3,H1	Start button	SCHNEIDER	XB2BW33B1C	24VAC/DC	1	YE11233100000	(1)	
40		Contact block	SCHNEIDER	ZB2BE101C	1NO	1	YE00210103100	(1)(5)	
41	S4	Safety switch	SCHMERSRC	AZ-17-11ZK	AC-17	1	YE16171100000	(1)	
42	S4	Safety switch	SCHMERSAL	AZ16-02ZVRK-M16-1476-1	250V 3A	1	YE16147600000	(1)(5)	
43	S5	Alternative switch	----	R210-C5LBW4P	----	1	YE10210400000	(7)	
44	H2	Frequency warning lamp	SHINI	LED-3501	24VAC	1	YE83305100900	(1)	
45	H3	Buzzer	TEND	EA-2	24VAC	1	YE84240200000	(1)(4)	
46	MS	Material level sensor	SIPAI	ST-80	24VAC	1	YE15802400100	(1)(4)	
47	M1	Granulating motor	---	4.0kW	230V 50/60Hz	1	---	(1)	
48	M2	Conveying blower	---	0.55kW	230V 50/60Hz	1	---	(1)(2)	
49	M2	Spring conveyor	---	0.18kW	230V 50/60Hz	1	---	(1)(3)	
50	M3	Dust-removing blower	---	0.12kW	230V 50/60Hz	1	---	(1)(6)	
版本	Ver. D	(4) Means optional accessories of full-receive alarm device.(5)Stand for optional safety relay.(6)Means optional accessories of dedusting blower.(7)Means accessories for VR instant recycling.							
				Drawer	Version	Title		Drawing NO.	
				Designer	Approved by	SG-204-2NH		SG-16N/20N系列-CE-230V-I-14	
				Proofread by	Electrical Components List 2		Scale		Page 14
				Checked by			Standard		Totally 14 Pages
				Modified by			Voltage		230V
				Modify date	20171205		Frequency		50Hz
Mark	Before modification								
1	2	3	4	5	6	7	8		

