

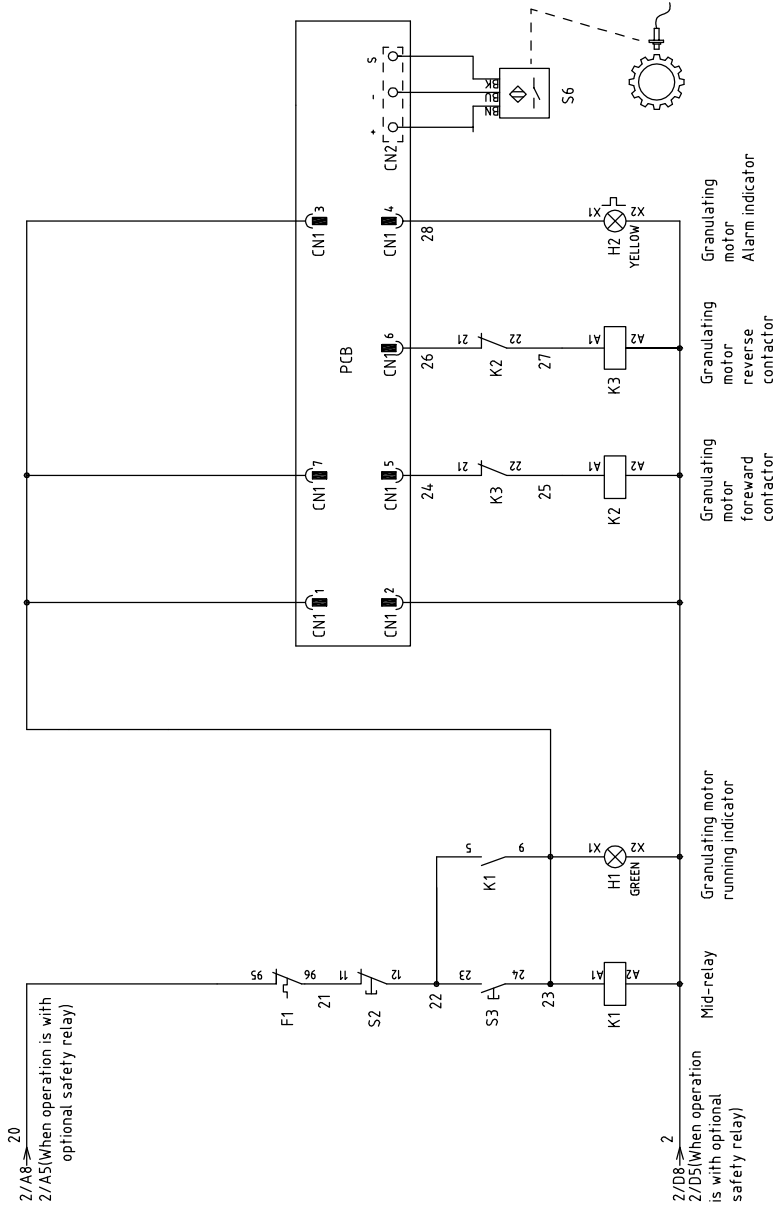
Picture 1 When operation is with optional safety relay.

Picture 2 When operation without optional safety relay.

版本 Ver.B

Title		Drawing NO.		Scale		Page	
Control Circuit Diagram 1		SG-14/11/17		CE		2	
Version		E		Standard		Totally 6	
Approved by		Date		Voltage		Pages	
20170420		20170420		400V		400V	
Before modification		After modification		Frequency		50HZ	
Mark		Modify date		Frequency		50HZ	
1		2		3		4	
5		6		7		8	



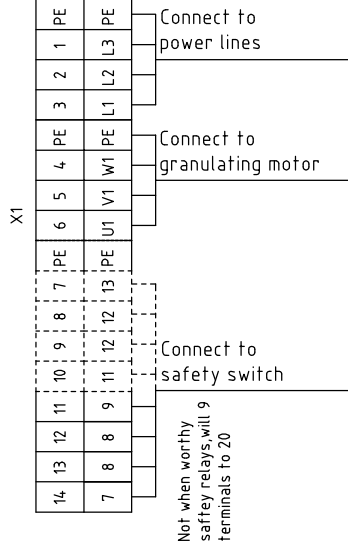
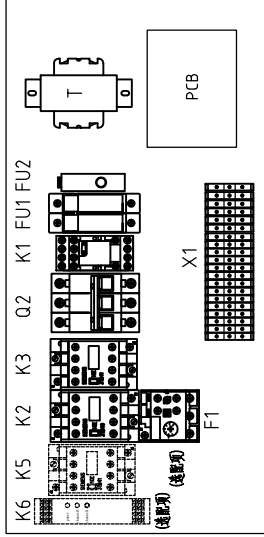
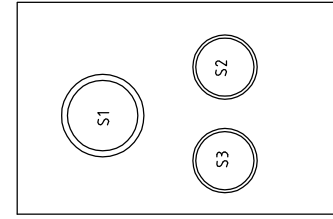


版本	Ver.B
Mark	Before modification
	After modification
	Modified by
	Modify date
	Checked by
	Proofread by
	Designer
	Drawer
	Version
	Approved by
	Date
	20170420

Title		SG-14/11/17		Drawing NO.		Page 3	
Control Circuit Diagram 2		SG-14/11/17-CE-400V-E-3		Standard		CE	
				Voltage		400V	
				Frequency		50HZ	
				Totally		6	
				Pages		6	

SHINI
 信易塑料机械股份有限公司
 Shini Plastics Technologies, Inc.

1 2 3 4 5 6 7 8



版本 Ver.B

Mark		Before modification	After modification	Modified by	Modify date	Checked by	Proofread by	Designer	Drawer	Version	E	Title	SG-14/11/17	Drawing NO.	SG-14/11/17-CE-400V-E-4	Scale	Page	4			
Approved by												Electrical Components Layout		CE		Standard		Totally 6 Pages			
Date		20170420										SHINI		Voltage		400V		Frequency		50HZ	
SHINI		信易塑料机械股份有限公司		Shini Plastics Technologies, Inc.																	

1 2 3 4 5 6 7 8

