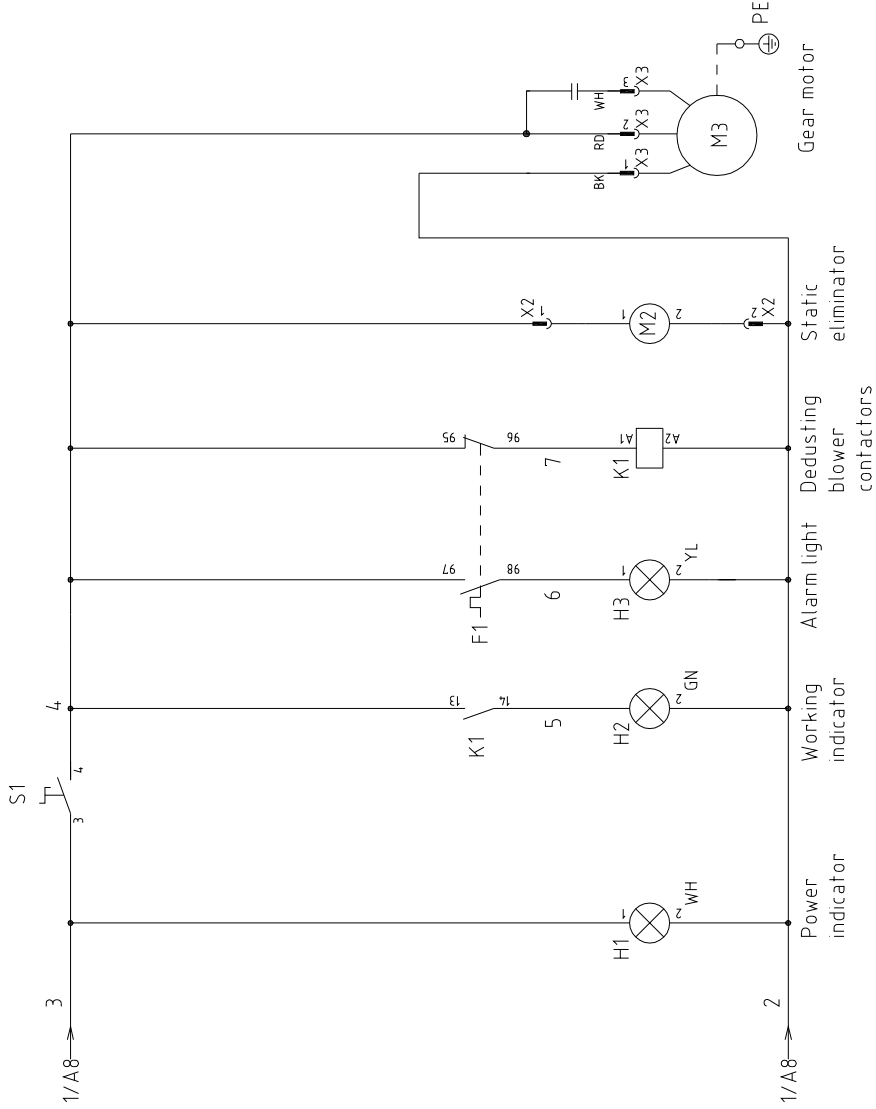
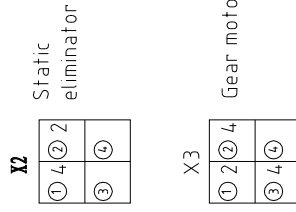
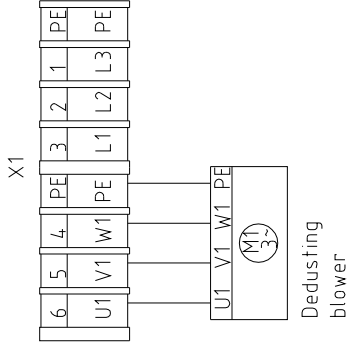
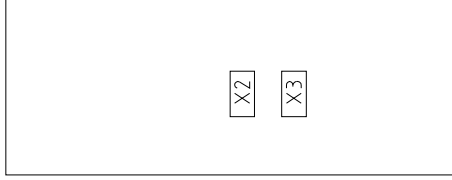
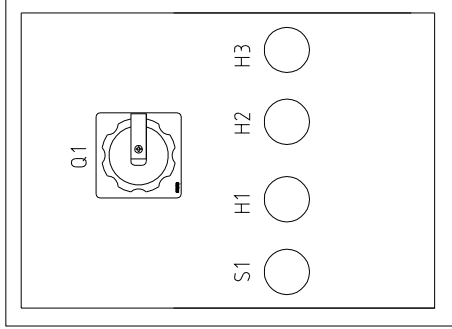
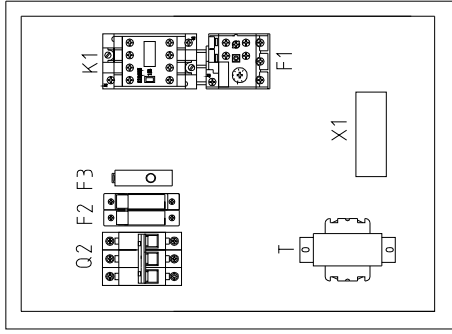


Title		Drawing NO		Scale		Page 1	
SDS-100/250		SDS-100/250-CE-400V-0-1		Standard CE		Totally 4	
Main Circuit Diagram		Voltage		Frequency		Pages	
		400V		50HZ		4	
Version		Date		SHINI		信易電熱機械股份有限公司	
0		20090217		SHINI		Shini Plastics Technologies, Inc.	
Approved by		Modified by		SHINI		信易電熱機械股份有限公司	
				SHINI		Shini Plastics Technologies, Inc.	
Designer		Modify date		SHINI		信易電熱機械股份有限公司	
				SHINI		Shini Plastics Technologies, Inc.	
Proofread by		After modification		SHINI		信易電熱機械股份有限公司	
				SHINI		Shini Plastics Technologies, Inc.	
Checked by		Before modification		SHINI		信易電熱機械股份有限公司	
				SHINI		Shini Plastics Technologies, Inc.	



		Title		Version		Drawing NO		Scale		Page	
		SDS-100/250		0		SDS-100/250-CE-400V-0-2		Standard		Page 2	
		Control Circuit Diagram		Approved by		SHINI		CE		Totally 4	
		Date		20090217		信易電熱機械股份有限公司		Voltage		400V	
		Modified by				Shini Plastics Technologies, Inc.		Frequency		50HZ	
Mark		Before modification		Modify date				Total		8	

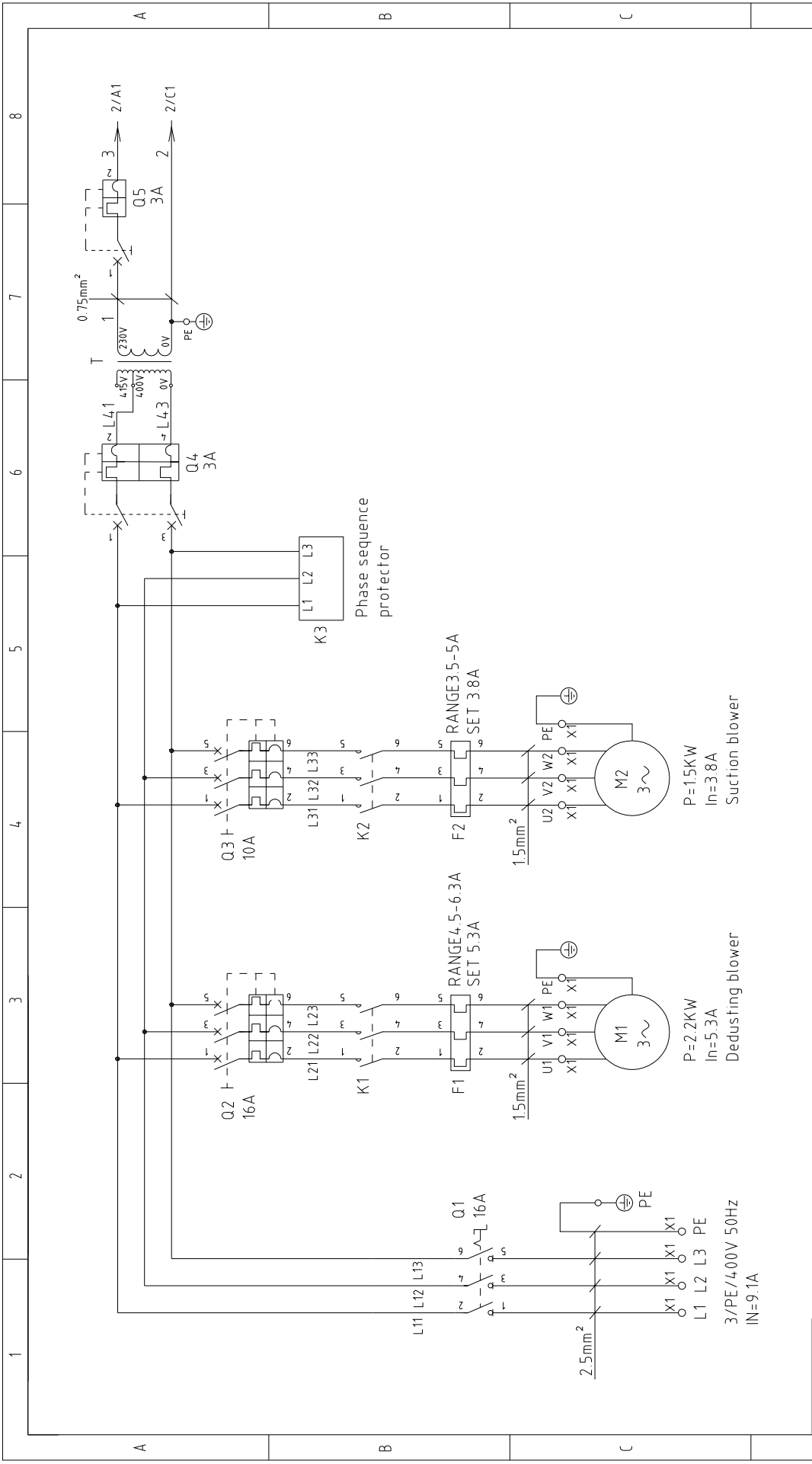
1 2 3 4 5 6 7 8



Mark	Before modification	Modified by	Modify date	Checked by	Date	20090217	Approved by	Version	0	Title	SDS-100/250 Electrical Components Layout	Drawing NO	SDS-100/250-CE-4.00V-0-3	Scale	Standard	CE	Page	3
	After modification																Totally	4
																	Voltage	4.00V
																	Frequency	50HZ
																		8



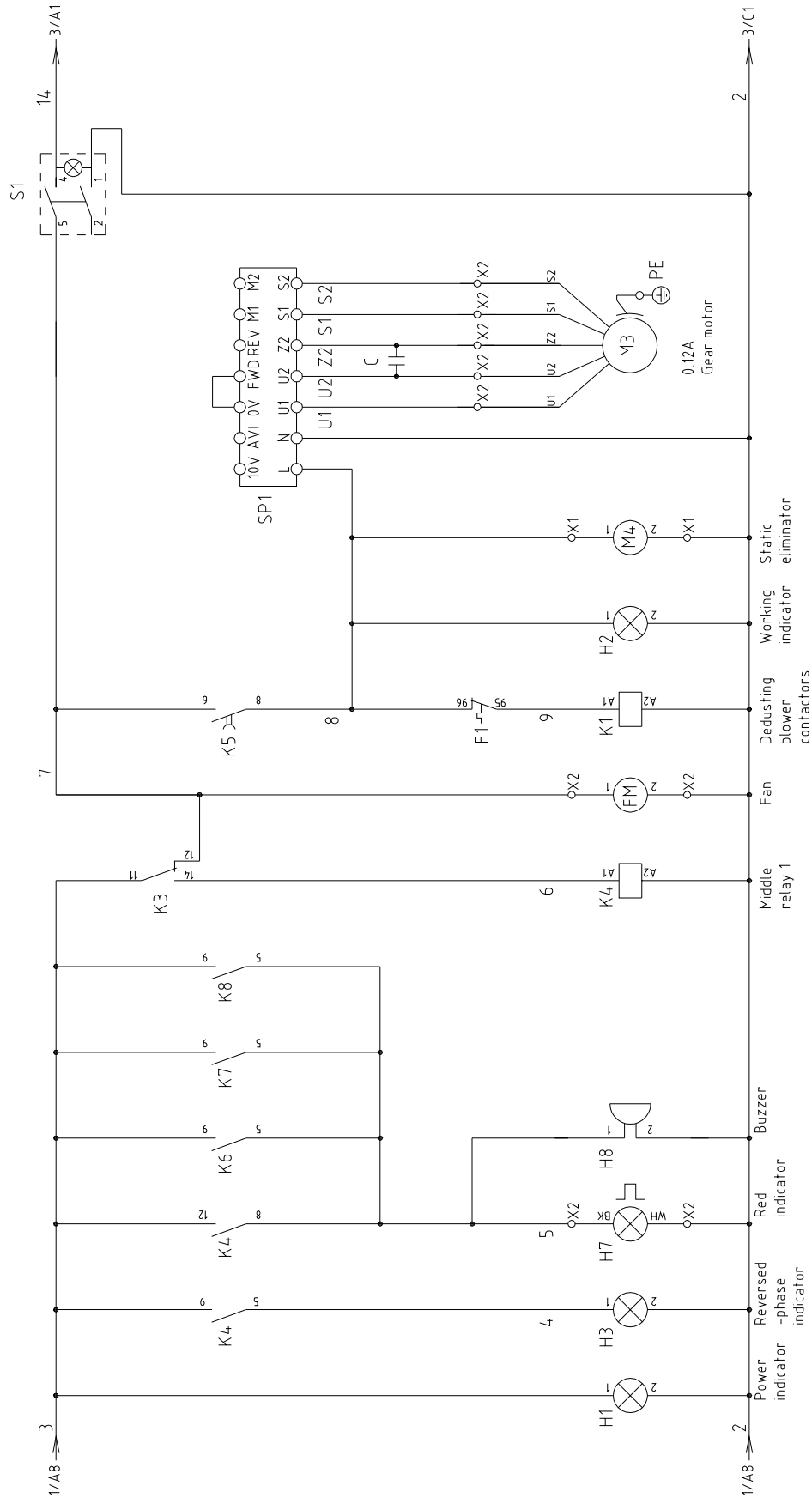
1	2		3	4	5	6	7	8
NO.	Symbol	Name	Manufacturer	Type	Specification	Number	Material number	Remark
1	Q1	Main power switch	SIEMENS	3LD20	3P/16A	1	E1416000	
2	Q2	Circuit breakers	CHNT	DZ47-60 3P	5A	1	E3121050	
3	K1	Contactors	SIEMENS	3TF3010-0X	230V 50/60HZ	1	E1130100	A
4	T	Transformer	BAIYUN	IN=400V OUT=230V	300mA	1	E3303001	
5	F1	Overload relays	SIEMENS	3UA5040-1C	16-2.5A	1	E1216250	
6	F2	Fuse base	CHNT	RT18-32	2P	1	E3232002	
7	F3	Fuse	MRO	-----	500V 10x38 1A	2	E3205001	
8	F3	Fuse	YINDA	FS-10	2A	1	E3202007	
9	S1	Switch	ABB	C2SS2-10B-10	300V 5A	1	E1310100	
10	H1	Indicator	ABB	CL-523G WH	230VAC 50/60HZ	1	E4223000	
11	H2	Indicator	ABB	CL-523G GN	230VAC 50/60HZ	1	E4223001	B
12	H3	Yellow Alarm light	ABB	CL-523G YL	230VAC 50/60HZ	1	E4223003	
13	X1	Terminal block	NACHI	NC T2.5	32A	6	E5125001	
14	X1	Terminal block	NACHI	NC T2.5PE		2	E5125002	
15	X2.X3	Heavy duty connectors	SIBAS	HDC-HA-004	10A	2	E5204010/E5204011	(1)
16	M1	Dedusting blower	SHINI	0.55KW	3Φ 400V	1	----	(1)
17	M2	Static eliminator	DR.SCHNEIDERPC	SL-001	230VAC 50/60HZ	1	---	(1)
18	M3	Gear motor	LINIX	YN60-10	230VAC 10W 50/60HZ	1	---	(1)
								C
Notes: (1)Means it's not the material inside the control box.								
			Version	0	Title		Scale	
			Approved by		SDS-100/250		Standard	
			Drawer		Electrical Components List		CE	
			Designer		Drawing NO		Page 4	
			Proofread by		SDS-100/250-CE-400V-0-4		Totally 4 Pages	
			Checked by		Voltage		400V	
			Modify date	20090217	Frequency		50HZ	
Mark	Before modification	After modification	Modified by	Date	SHINI		8	
					信易電熱機械股份有限公司		7	
					Shini Plastics Technologies, Inc.		6	
					SHINI		5	



机型版本: Ver D

Drawing NO		SDS-500-CE-4.00V-C-1		Page 1	
Title		SDS-500 Main Circuit Diagram		Standard CE	
Version		C		Totally 6 Pages	
Approved by				Voltage 400V	
Date		20190111		Frequency 50HZ	
Modified by					
After modification					
Before modification					
Mark					

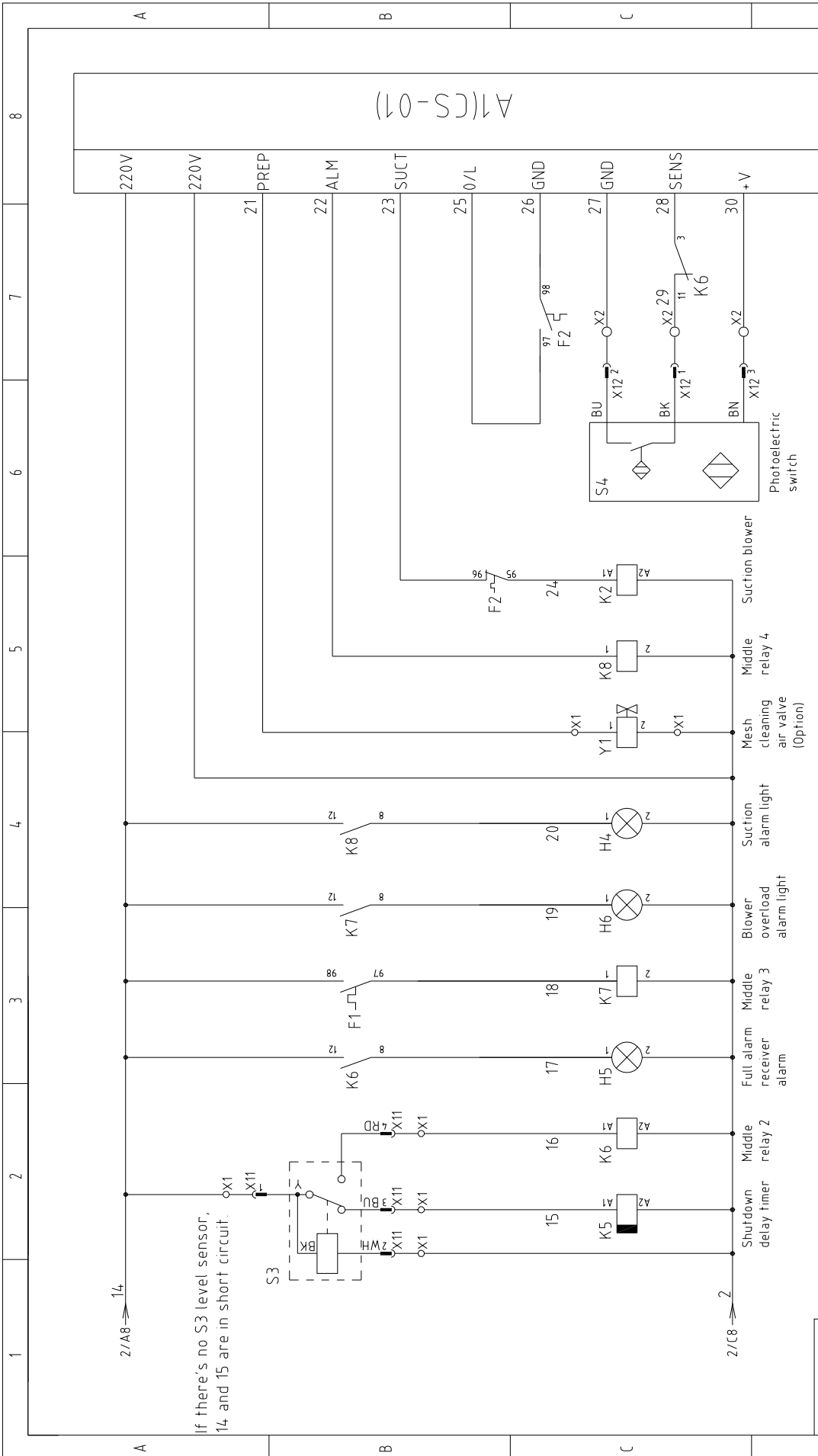




机型版本: Ver D

Title		SDS-500		Drawing NO		SDS-500-CE-400V-C-2		Page		2	
Version		C		Standard		CE		Totally		6	
Approved by				Voltage		400V		Frequency		50HZ	
Date		20190111		Mark				Before modification			
Modified by				After modification				Modified date			
Checked by				Checked by				Modify date			
Proofread by				Designer				Drawer			

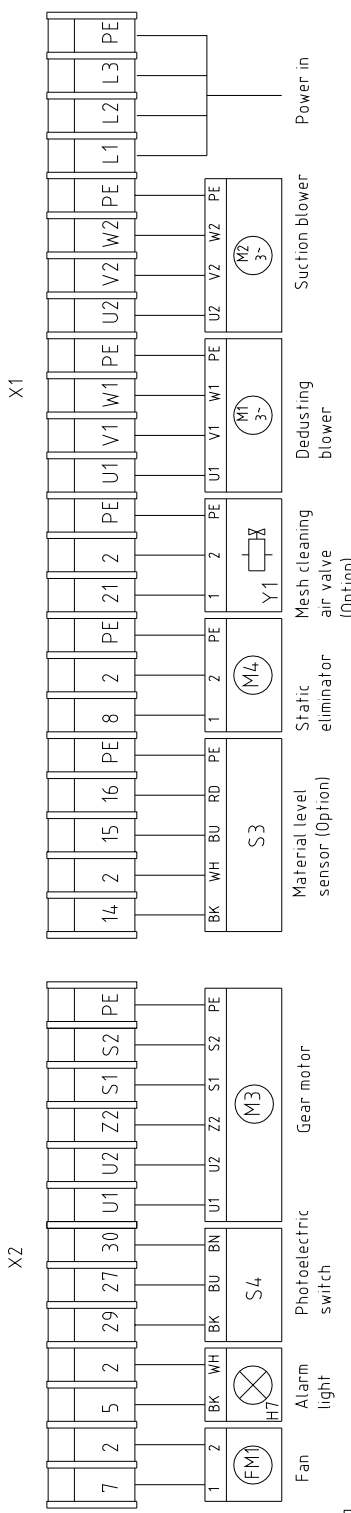
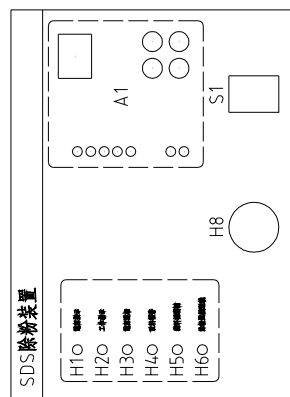
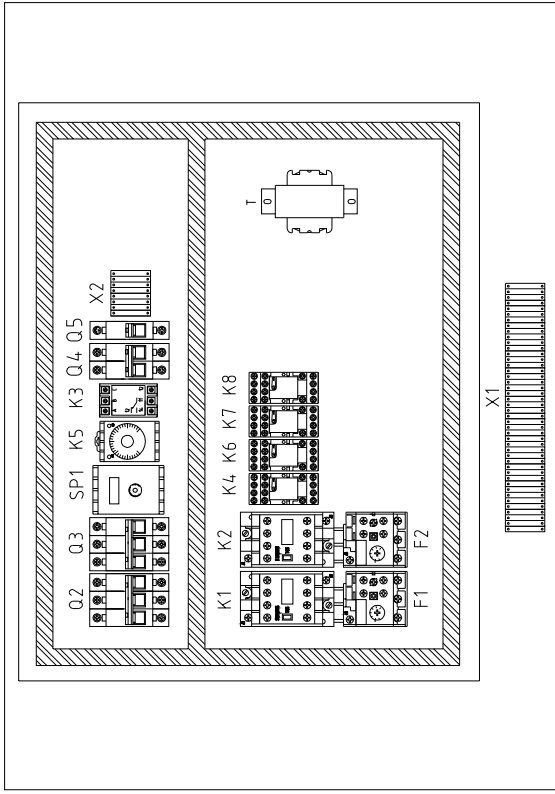




机型版本: Ver D

D	Scale	Standard	CE	Page	3
	Voltage		400V	Totally	6
Frequency		50HZ			
Title		SDS-500 Control Circuit Diagram 2		Drawing NO SDS-500-CE-400V-C-3	
Version	C	Approved by		Date 20190111	
Drawer	Designer	Proofread by	Checked by	Modify date	
Mark	Before modification	After modification			





机型版本: Ver D


Title SDS-500 Electrical Components Layout			Drawing No SDS-500-CE-400V-C-4		Scale Standard	Page 4
Version C		Approved by		Standard CE		Totally 6 Pages
Date 20190111		Checked by		Voltage 400V		Frequency 50HZ
Modified by		Modify date		Voltage		Frequency
Before modification		After modification		Voltage		Frequency
Mark		Date		Voltage		Frequency
1		2		3		4
5		6		7		8



1	2		3	4	5	6	7	8
NO.	Symbol	Name	Manufacturer	Type	Specification	Number	Material number	Remark
1	Q1	Main power switch	EATON	TO-2-1	3P/16A	1	YE10021160000	
2	Q2	Circuit breakers	TECO	BM-63C/3016S	3P/16A	1	YE40301603000	
3	Q3	Circuit breakers	TECO	BM-63C/3010S	3P/10A	1	YE40301003000	A
4	K1	Contactors	SIEMENS	3RT16015-1AN21	220V 50/60HZ	1	YE00601521000	
5	K2	Contactors	SIEMENS	3RT16015-1AN21	220V 50/60HZ	1	YE00601521000	
6	F1	Overload relays	SIEMENS	3RU6116-1GB0	4.5-6.3A	1	YE01160450000	
7	F2	Overload relays	SIEMENS	3RU3116-1FB0	3.5-5A	1	YE01160350000	
8	K3	Phase sequence protector	CHAOSHI	ABJ-10W	4.00V	1	YE03103800000	
9	T	Transformer	BAIYUN	IN=400V/415V OUT=230V	500mA	1	YE70040005200	
10	Q4	Circuit breakers	TECO	BM-63C/2003S	2P/3A	1	YE40200203000	
11	Q5	Circuit breakers	TECO	BM-63C/1003S	1P/3A	1	YE40100203000	B
12	FM	Fan	SUNON	DP200A	230VAC 0.14A	1	----	(1)
13	S1 S2	Alternative switch	REAB	R210-C5LBW4P	4P (WH)	2	YE10210400000	
14	K4 K6 K7 K8	Middle relay	WEIDMULLER	DRM570730LT	230VAC 50/60HZ	4	YE03570700000	
15	K5	Timer	T&C	TRF-N3M	230VAC 50/60HZ	1	YE86322000000	
16	SP1	Adjuster	JSCC	SKZ200E	220VAC 50/60HZ	1	YE80020000200	
17	S3	Material level sensor	SIPAI	SR-80	230VAC 50HZ	1	----	(1)(2)
18	S4	Photoelectric switch	----	----	10-30VDC	1	----	(1)
19	A1	Circuit board	YUYUN	CS-01	230VAC 50/60HZ	1	YE80122000000	C
20	H1 H2	Metal indicator	SHINI	GR	230VAC 50/60HZ	2	YE83022000100	
21	H3 H4 H5 H6	Metal indicator	SHINI	RD	230VAC 50/60HZ	4	YE83022000000	
22	H7	Alarm light	SHINI	RD	230VAC	1	----	(1)
23	H8	Buzzer	KING	PF-35A	230VAC	1	YE84003500000	
24	X1	Terminal block	Honeywell	2.5mm ²	SK2.5	11	YE60002503200	
25			Honeywell	2.5mm ² PE	GK2.5PE	4	YE60002503400	

机型版本: Ver.D Notes: (1)Means it's not the material inside the control box (2)Stand for optional level sensor of material storage tank. (3)Stand for optional mesh cleaning air valve.

Drawing NO		SDS-500-CE-4.00V-C-5		Scale		Page 5	
Title		Electrical Components list 1		Standard		Totally 6 Pages	
Version		Approved by		CE		Voltage	
C		Date		Frequency		4.00V	
20190111		20190111		5.0HZ			



信易电热机械股份有限公司
Shini Plastics Technologies, Inc.

1 2 3 4 5 6 7 8

1	2		3	4	5	6	7	8
NO.	Symbol	Name	Manufacturer	Type	Specification	Number	Material number	Remark
25	X1	Terminal block	Honeywell	2.5mm ²	SK2.5	6	YE60002503200	(2) (3)
26			Honeywell	2.5mm ² PE	GK2.5PE	2	YE60002503400	(2) (3)
A								
27	X2	Terminal board	Honeywell	2.5mm ²	SK2.5	12	YE60002503200	
28			Honeywell	2.5mm ² PE	GK2.5PE	1	YE60002503400	
29	X11,X12	Heavy duty connectors	SIBAS	HDC-HA-004	10A	2	----	(1)
30	M1	Dedusting blower	SHINI	2.2KW	3Φ 400V 50Hz	1	----	(1)
31	M2	Suction blower	SHINI	1.5KW	3Φ 400V 50Hz	1	----	(1)
32	M3	Gear motor	JSCC	60YT06GV22	6W	1	----	(1)
33	M4	Static eliminator	DR SCHNEIDERPC	SL-001	230VAC 50/60HZ	1	----	(1)
B								
C								
D								
机型版本: Ver D Notes: (1)Means it's not the material inside the control box.(2)Stand for optional level sensor of material storage tank.(3)Stand for optional mesh cleaning air valve.								
				Version	Title		Scale	
				Approved by	SDS-500		Standard	
				Date	Electrical Components List 2		CE	
				20191011	SDS-500-CE-400V-C-6		Page 6	
					SHINI 信易电热机械股份有限公司 Shini Plastics Technologies, Inc.		Totally 6 Pages	
				Modified by			Voltage	
				Modify date			Frequency	
							400V	
							50HZ	
1								
2			3	4	5	6	7	8