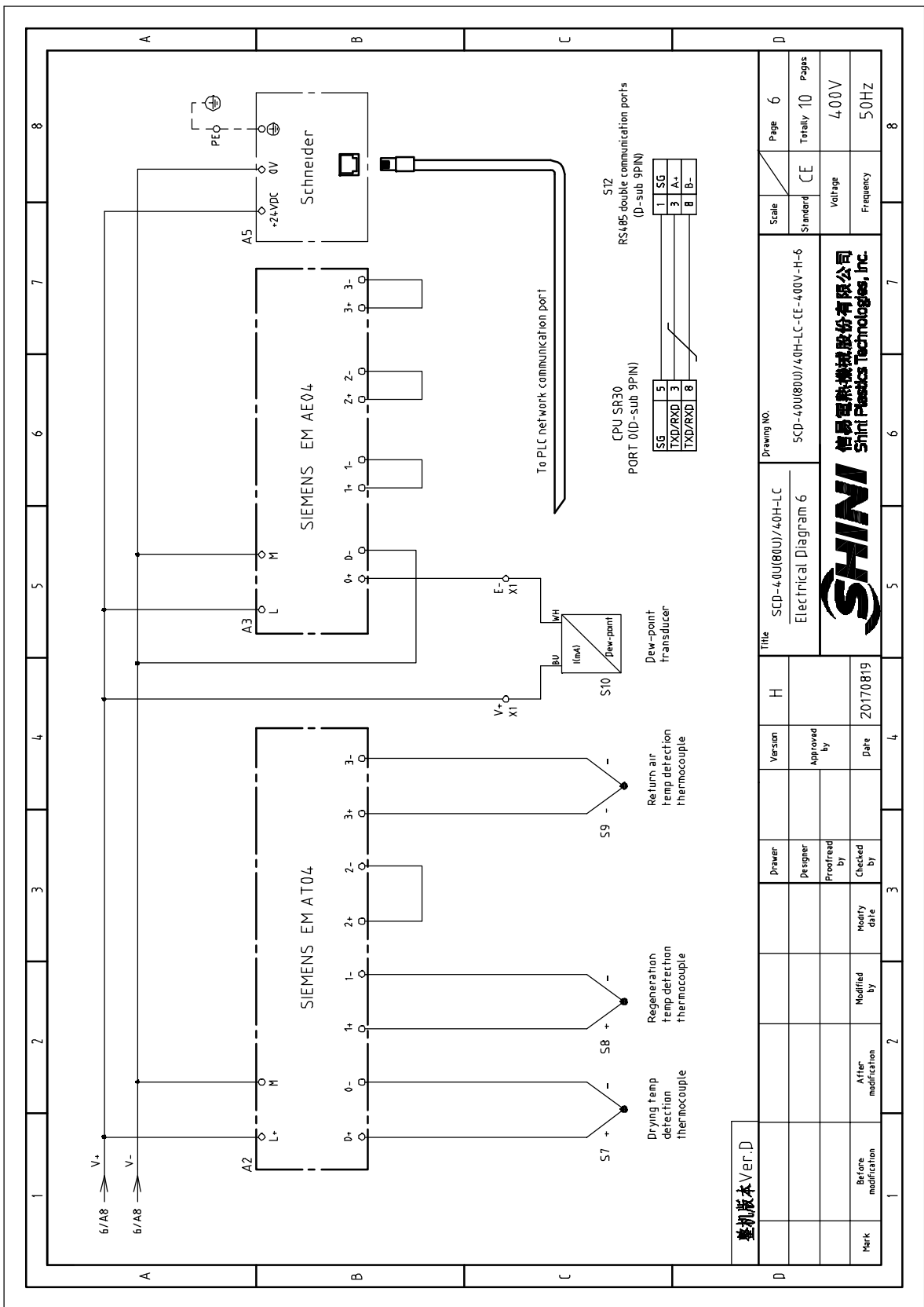


整機版本 Ver.D

Mark	Before modification	Modified by	20170819	Date	Version	H	Title	Drawing No.	Scale	Page 1
	After modification	Checked by	20170819						CE	Totally 10
							SCD-40U(80U)/L0H-LC Electrical Diagram 1	SCD-40U(80U)/L0H-LC-CE-400V-H-1	Stand	Pages
							SHINI Shini Plastics Technologies, Inc.		Volage	4,00V
									Frequency	50Hz



資料版本 Ver.D

Mark	Before modification	After modification	Modified by	Modify date	Checked by	Designed by	Drawn	Version	H	Title	Scale	Page
				20170819						SCD-40U(80U)/40H-LC Electrical Diagram 6	Standard	6
										5CD-40U(80U)/40H-LC-CE-400V-H-6	Standard	Totally 10
											Standard	Page
											Standard	6
											Standard	Totally 10
											Standard	Pages
											Standard	400V
											Standard	50HZ



SG	1	SG
TXD/RXD	3	A+
TXD/RXD	8	B-

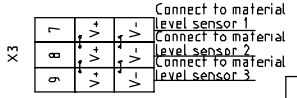
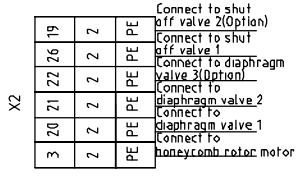
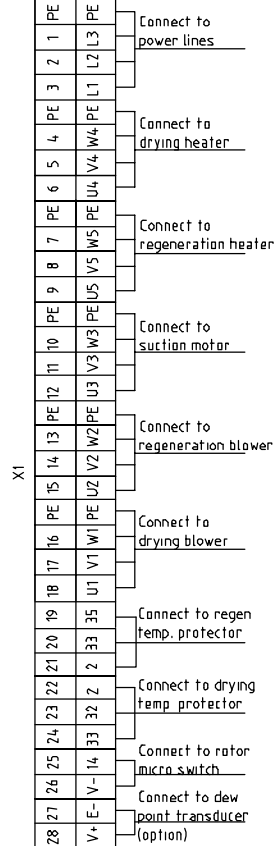
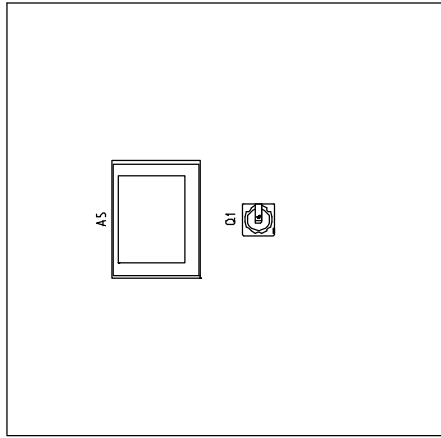
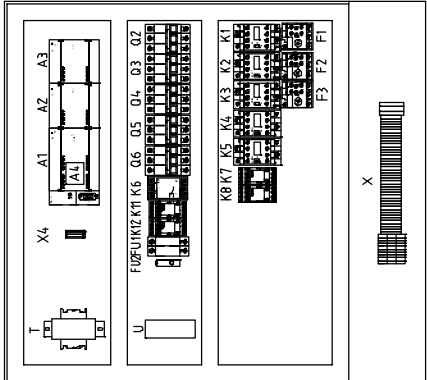
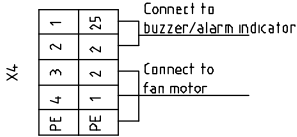
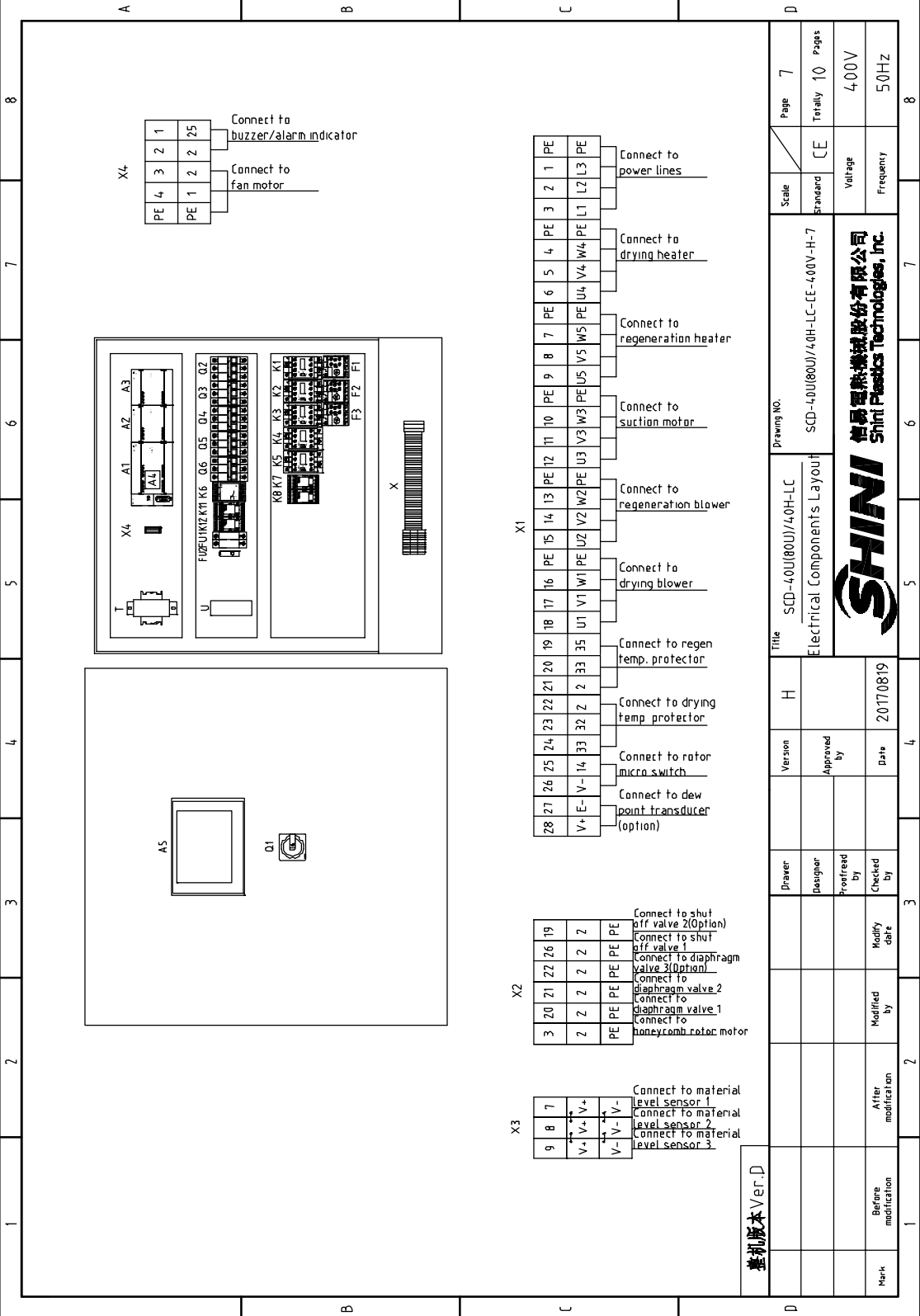
ST2
RS485 double communication ports
(D-sub 9PIN)

CPU SR30
PORT 0 (D-sub 9PIN)

To PLC network communication port

1 2 3 4 5 6 7 8


A A B C D

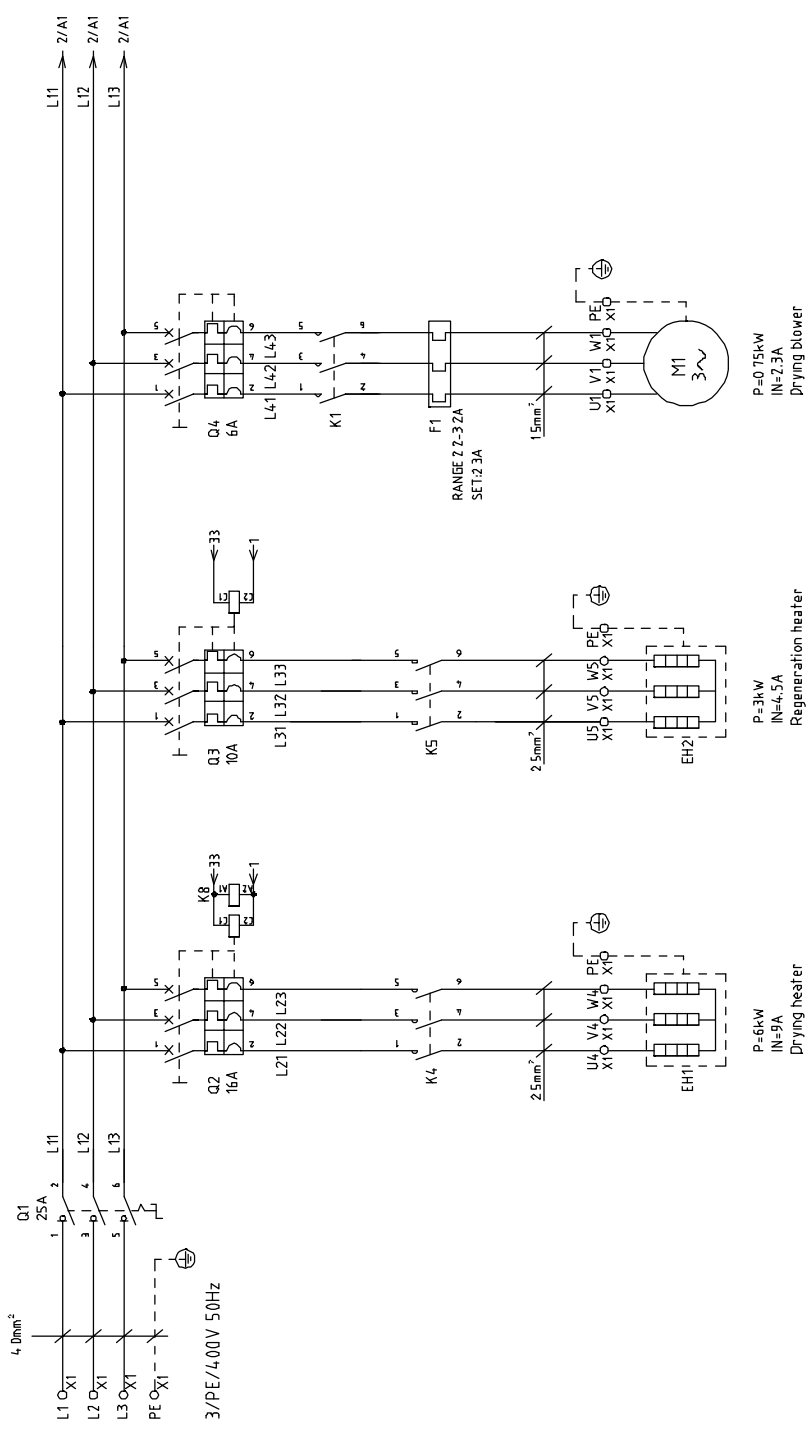


Title	SCD-40U(80U)/40H-LC		Drawing No.		SCD-40U(80U)/40H-LC-CE-400V-H-7	
	Electrical Components Layout		Standard		CE	
Version	Approved by		Scale	Voltage		Page
Date	Date		Standard	Frequency		Totally
20170819	20170819		Standard	400V		10
SHINI		SHINI		SHINI		50HZ
Shini Plastics Technologies, Inc.		Shini Plastics Technologies, Inc.		Shini Plastics Technologies, Inc.		8

1	2	3	4	5	6	7	8	
N0	Symbol	Name	Manufacturer	Type	Specification	Number	Material number	Remark
1	Q1	Main switch	EATON	TO-2-1/EA/SVB	16A	1	YE10021160000	
2	Q2 Q3 Q6	Circuit-breaker	TECO	BM-63C 3P	10A	3	YE403010030000	
3		Excitation release	TECO	MX	220V 50/60Hz	2	YE40023560000	A
4	Q4 Q5	Circuit-breaker	TECO	BM-63C 3P	6A	2	YE403006030000	
5	K1 K2 K3	Contacto	SIEMENS	3RT6016-1AN21	9A 220V 50/60Hz	3	YE00601621000	
6	K4	Contacto	SIEMENS	3RT6017-1AN21	12A 220V 50/60Hz	1	YE00601721000	
7	K5	Contacto	SIEMENS	3RT6017-1AN21	12A 220V 50/60Hz	1	YE00601721000	
8	K6	Phase relay	CHADSHI	ABJ-10W	400V 50/60Hz	1	YE031039800000	
9	K7 K8	Relay	WEDMULLER	DRM270730LT	220V 50/60Hz	2	YE032707000000	
10	K11 K12	Relay	WEDMULLER	DRM270724LT	24V DC	2	YE032724000000	
11	F1	Overload relay	SIEMENS	3RU6116-0EB0	0.28-0.4A	1	YE011612800000	
12	F2	Overload relay	SIEMENS	3RU6116-0EB0	0.28-0.4A	1	YE011612800000	B
13	F3	Overload relay	SIEMENS	3RU6116-1FB0	3.5-5A	1	YE011603500000	
14	A1	PLC	SIEMENS	CPU SR30 AC/DC/RLY	100-230VAC 50/60Hz	1	YE810030060000	
15	A2	PLC Analog module	SIEMENS	4-point thermocouple Temp. module EM AT04	--	1	YE820004003000	
16	A3	PLC Analog module	SIEMENS	4-point input analog quantity module EM AE04	--	1	YE820004001000	(Z)
17	A4	PLC Analog module	SIEMENS	Circuit board for signal expansion SB DI04	--	1	YE900004013000	
18	A5	Human-machine interface	SCHNEIDER	GX03512	24VDC	1	YE803512002000	
19	FU1	Fuse base	CHINT	RT18-32	2P	1	YE410322000000	C
20		Fuse	CHINT	10x38 500V	2A	2	YE460020001000	
21	FU2	Fuse	YINDA	FS-10	2A	1	YE410010000000	
22	T	Transformer	--	--	IN=400V OUT=230V 500mA	1	YE104023008000	
23	U	DC power	MEAN WELL	ME5-35-24	OUT=DC24V 1.5A	1	YE1713524001000	
24	S1	Reed switch	FOTEK	FC-12V	24VDC	1	-----	(I)
25	S2 S3	Photoelectric switch	FOTEK	T18-3MNB-PE	24VDC	2	-----	(I)
整机版本(Ver.D) Notes: (1)Means it's not the material inside the control box. (2)Stands for optional.								
Title SCD-40U(80U)/40H-LC Electrical Components List 1			Drawing NO. SCD-40U(80U)/40H-LC-CE-4.00V-H-8		Scale Standard		Page 8 Totaly 10 Pages	
Designer Proofread by Checked by Modify date			Version Approved by Date 20170819		Voltage Frequency		400V 50HZ	
After modification Modified by Modify date					CE		400V 50HZ	
Mark	Before modification	After modification	Modified by	Modify date	Checked by	Date	Voltage	Frequency
1								
D	1	2	3	4	5	6	7	8



1	2	3	4	5	6	7	8		
NO	Symbol	Name	Manufacturer	Type	Specification	Number	Material number	Remark	
26	S4	Micro switch	TEND	LXW5-11G1	250V 5(4)A	1	-----	(1)	
27	S5	Temperature protector	----	----	250V 5(4)A	1	-----	(1)	
28	S6	Temperature protector	----	----	250V 5(4)A	1	-----	(1)	
29	S7 S8 S9	Thermocouple	SHINI	ST-K	K	3	-----	(1)	
30	S10	Dew-point transducer	CS	CS 217-OEM	POWER=24VDC OUT=4-20mA	1	YE90021700100	(1)	
31	Y1-Y4	Solenoid valve	----	MSFW-230-50/60	220V 50/60Hz	4	-----	(1) (2)	
32	H1	Buzzer	HITPOINT	PF-35A	60-250V	1	YE84003500200	(1)	
33	H2	Alarm indicator	SHINI	LED-3051	220V 50/60Hz	1	YEB3305100200	(1)	
34	X1 X2 X4	Terminal board	----	4mm ²	41A 690V	18	YE60000403200		
35				4mm ² PE	-	6	YE60000403500		
36				2.5mm ²	32A 690V	20	YE60002503200		
37				2.5mm ² PE	-	6	YE60002503400		
38				2.5mm ²	32A 690V	6	YE60002503200	(2)	
39				2.5mm ² PE	-	2	YE60002503400	(2)	
40	X3	Terminal board	----	Terminal SK2.5-TL	10A 250V	3	YE60002503600		
41				FBS1B 10-ZDIK RD	10A 250V	3	YE60001000200		
42				SK2.5-TL	10A 250V	3	YE60002503600		
43	X5 X6 X7	Heavy duty connector	WEIN	HDC-HA-004.1	4P 10A	3	YE68041000100	(1)	
44	FM	Fan	SUNDON	DP-200A	230V AC 4.0W	1	YM60T212004.00	(1)	
45	S10	Communication interface board RS-485 (double Dsub-9pin connector)	----	----	----	1	YE90048501200	(1)	
46		Shell RS485(SAL-700G-A-19)0	----	----	----	1	YR40048500000	(1)	
47	M1	Blower	SHINI	----	400V 0 12kW	1	-----	(1)	
48	M2	Blower	SHINI	----	400V 0 12kW	1	-----	(1)	
49	M3	Blower	SHINI	----	400V 15kW	1	-----	(1)	
50	M4	Motor	----	----	230V 4.015kW	1	-----	(1)	
資料版本 Ver.D Notes: (1)Means it's not the material inside the control box. (2)Stands for optional.									
			Drawer	Version	Title		Scale	Page	
			Designer	Approved by	SCD-40U(80U)/40H-LC		Standard	9	
			Proofread by		Electrical Components List 2		CE	Totally 10	
			Checked by	Date			Voltage	Pages	
			Modify date	20170819			Frequency	400V	
			After modification					50HZ	
			Before modification						
					 SHINI 信易塑料機械股份有限公司 Shini Plastics Technologies, Inc.				8



1200/1200 整機版本 Ver.A 1600/1200 整機版本 Ver.E 2300/1200 整機版本 Ver.D

Mark	Before modification	After modification	Modified by	Modify date	Checked by	Date
						20170817

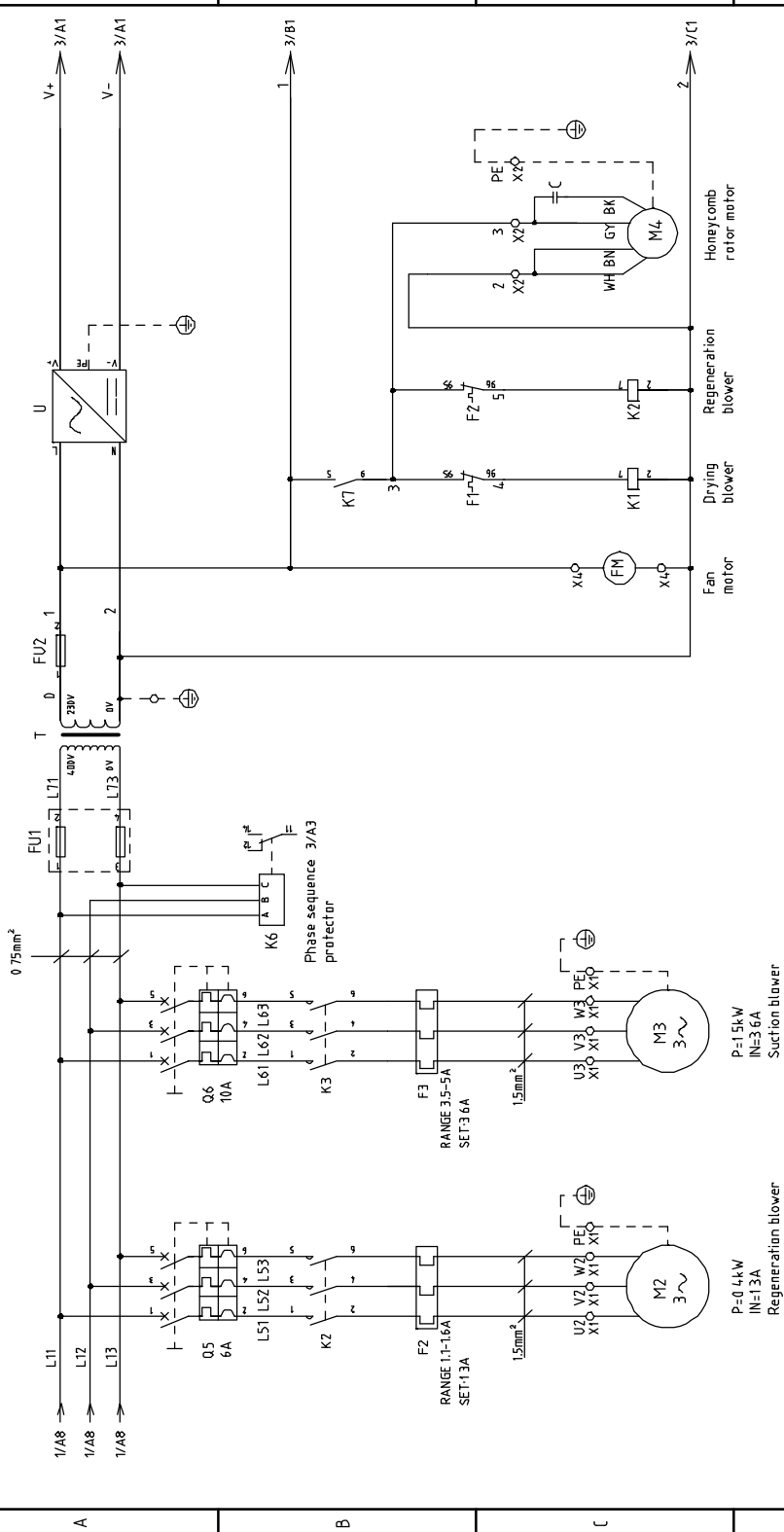
Title: SCD-1200(1600)/2300J/120H-LC
Electrical Diagram 1

Drawing No. SCD-1200(1600)/2300J/120H-LC-CE-400V-G-1



Scale	Page
Standard	1
CE	Totally 10
Voltage	400V
Frequency	50Hz

Note: For 60Hz, the regenerative heater is 4kW



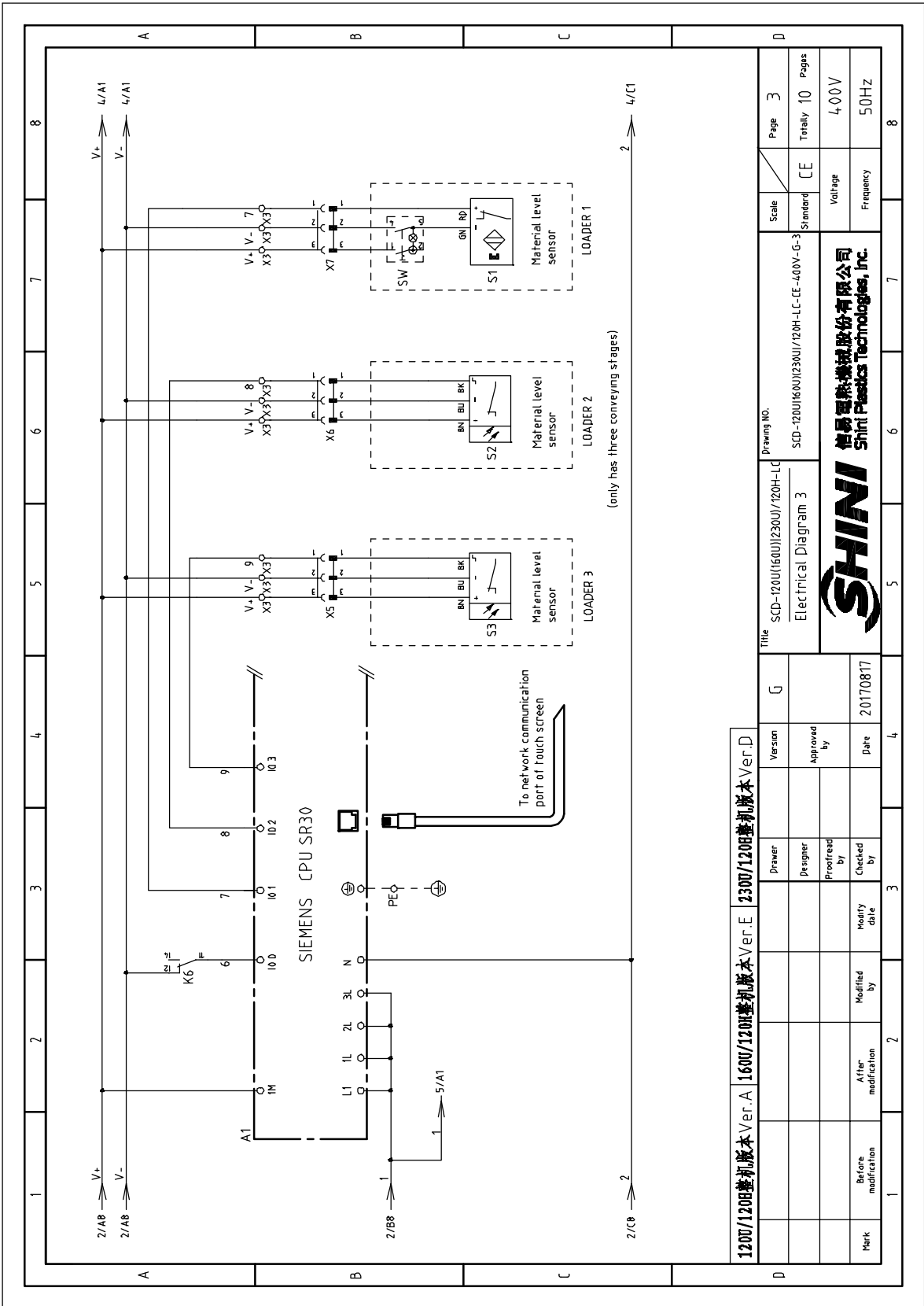
120U/120H 蓋機版本 Ver.A 160U/120H 蓋機版本 Ver.E 230U/120H 蓋機版本 Ver.D

Mark	Before modification	After modification	Modified by	Modify date	Checked by	Date
						20170817

Title: SCD-120U160U230U/120H-LC
Electrical Diagram 2

Scale	Scale	Page
Standard	CE	2
Voltage		Totally 10
Frequency		Pages
400V		
50Hz		





1200/1208 整机版本 Ver.A | 1600/1208 整机版本 Ver.E | 2300/1208 整机版本 Ver.D

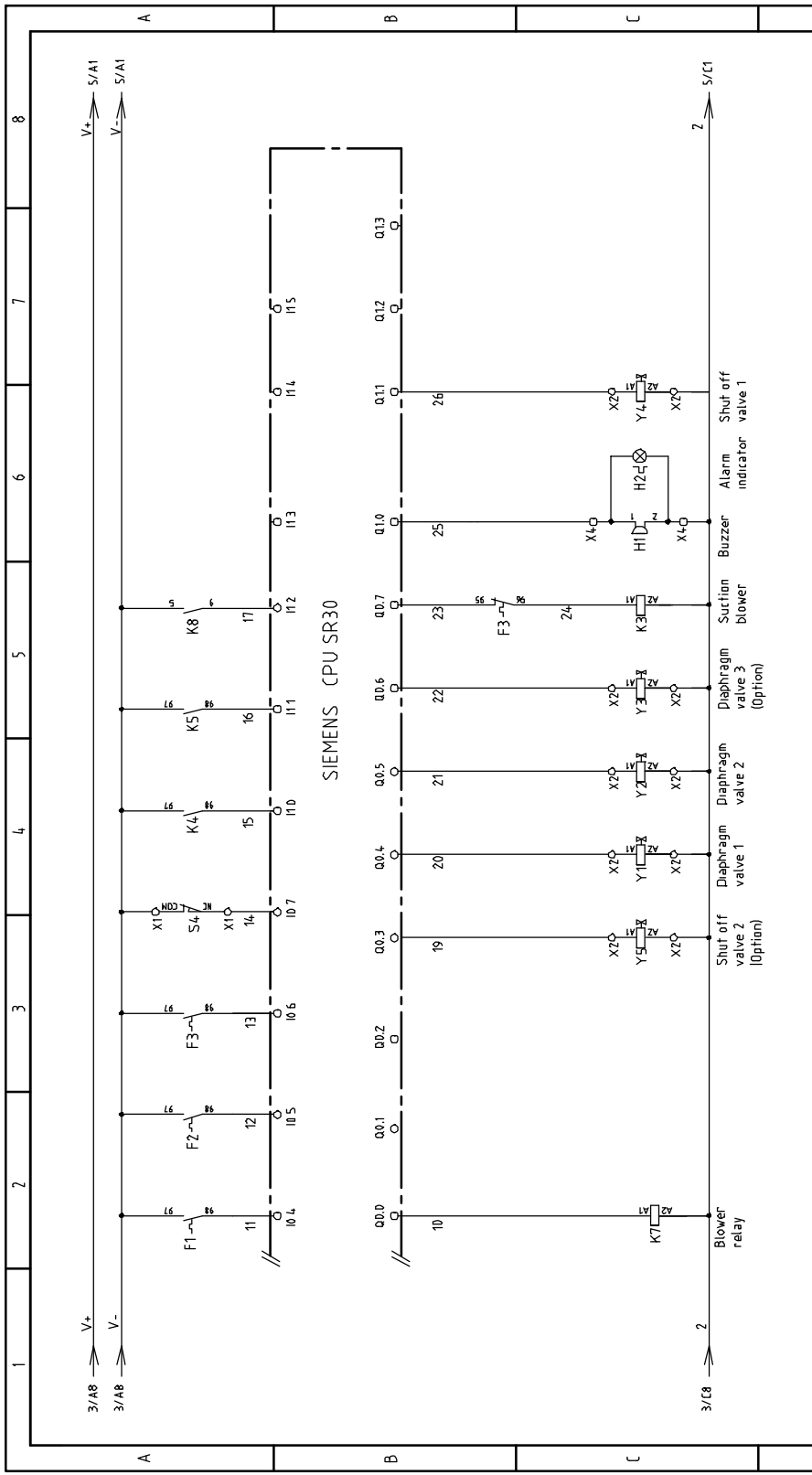
Mark	Before modification	After modification	Modified by	Modify date	Checked by	Approved by	Version	G
				20170817				

Drawing NO.
SCD-120U(160U)/120H-LC

Title
SCD-120U(160U)/120H-LC
Electrical Diagram 3

Scale	Page
Standard	3
CE	Totally 10
Voltage	400V
Frequency	50HZ



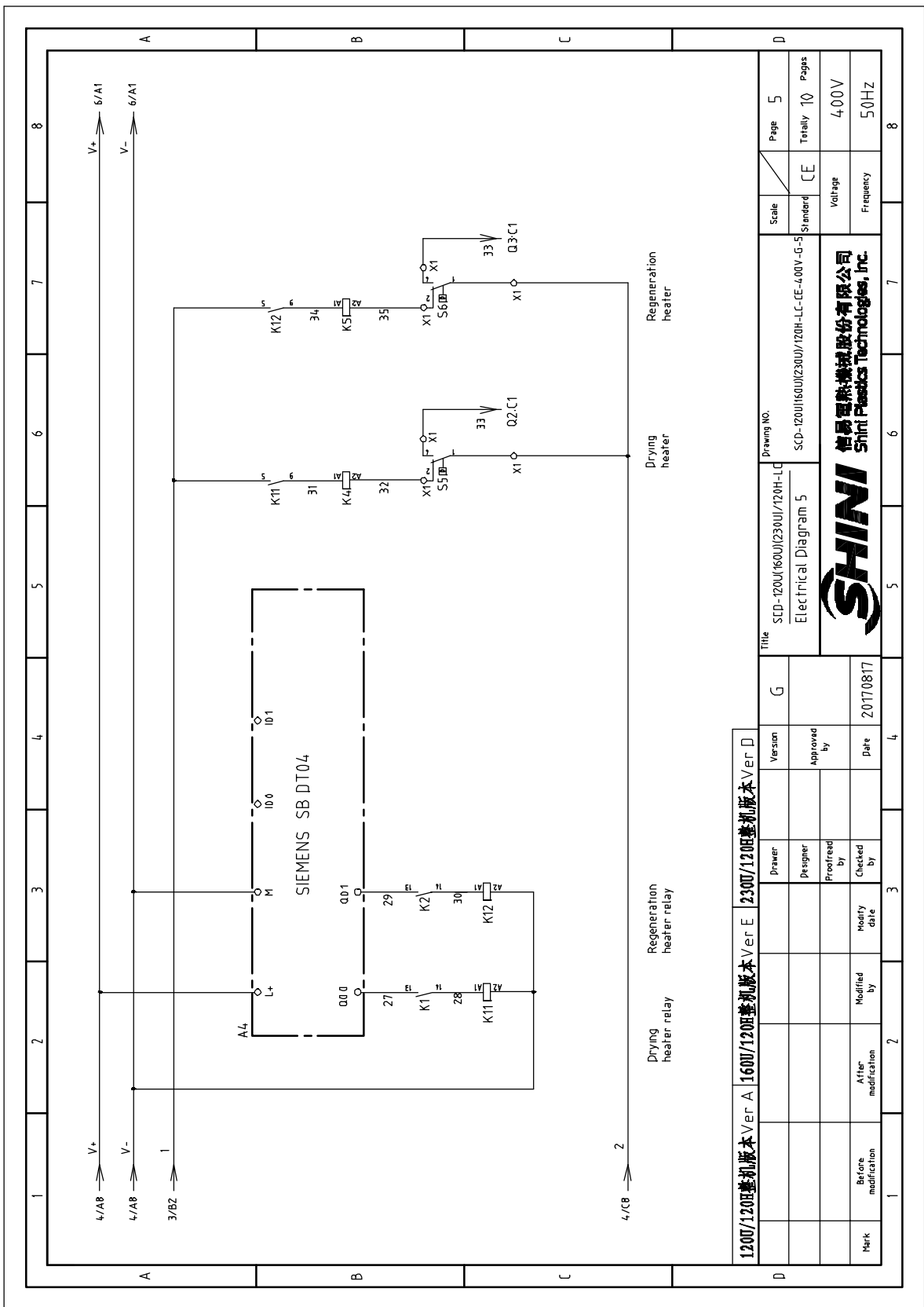


Note When not optional with M2, the Line No 19 is changed to Line No 26

1200/120E 离心机版本 Ver.A		1600/120E 离心机版本 Ver.E		2300/120H 离心机版本 Ver.D	
Drawn	Version	Approved by	Date	20170817	
Designer	Approved by	Checked by	Date	20170817	
Modified by	Modified by	Modified by	Modified by	20170817	
Mark	Before modification	After modification	After modification	20170817	

Scale	Scale	Page	Page
Standard	Standard	CE	Totally 10
		CE	Pages
		400V	400V
		50HZ	50HZ

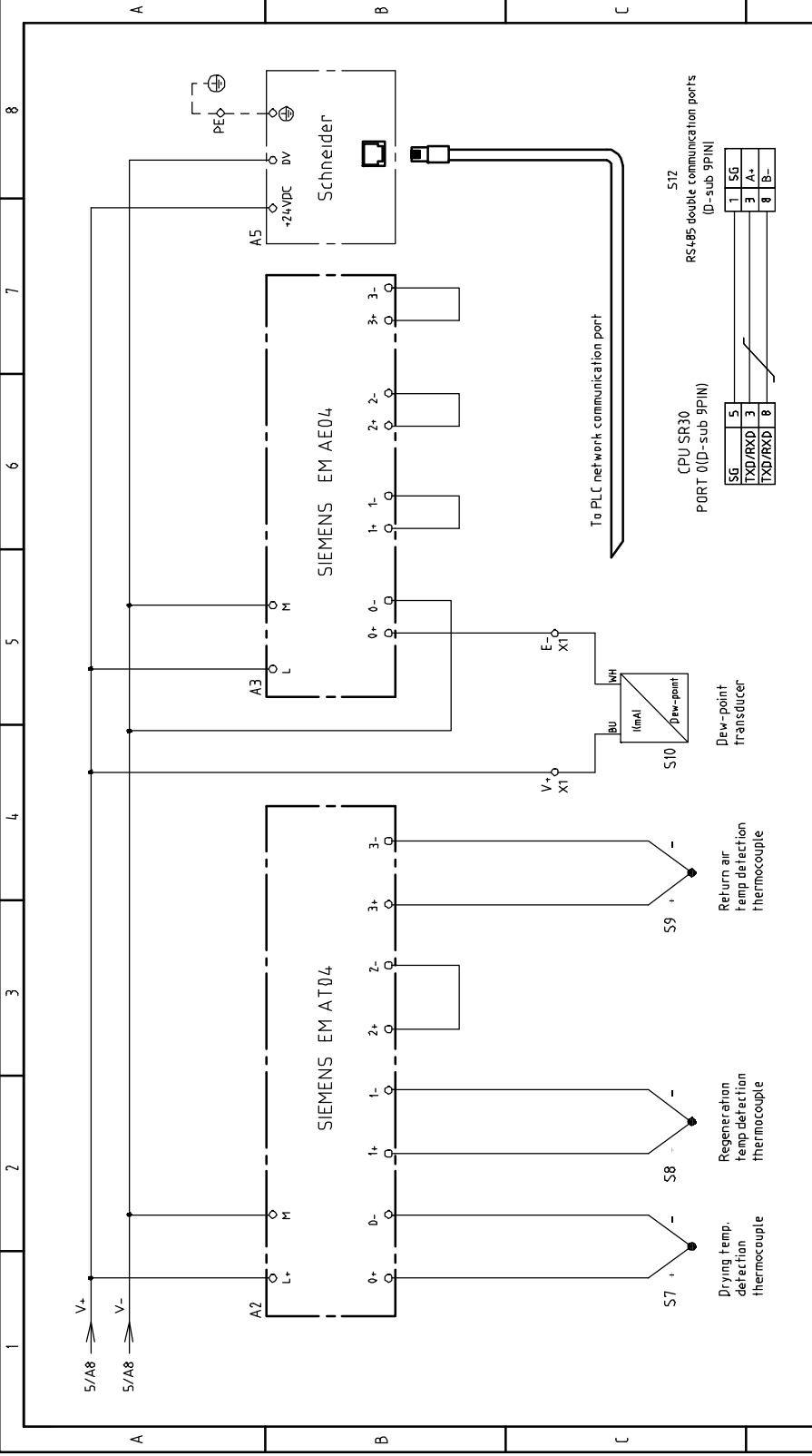




1200/120E 盛利版本 Ver A	1600/120E 盛利版本 Ver E	2300/120E 盛利版本 Ver D	Drawer	Version	G	Drawing No.
			Designer	Approved by		SCD-120U160U(230U)/120H-LC
			Prepared by			Electrical Diagram 5
			Checked by	Date	20170817	SCD-120U160U(230U)/120H-LC-400V-G-5
Mark	Before modification	After modification	Modified by	Modify date		

Scale	Page
Standard	5
CE	Totally 10
CE	Pages
400V	
50HZ	





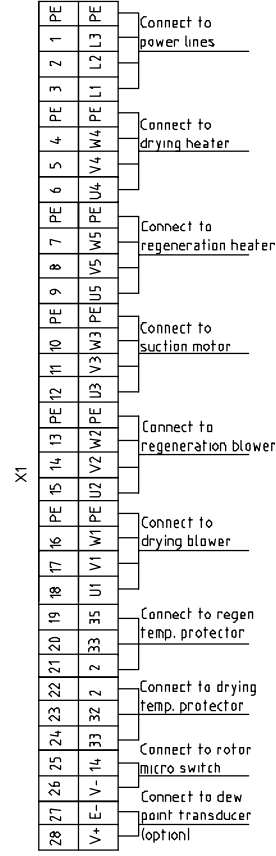
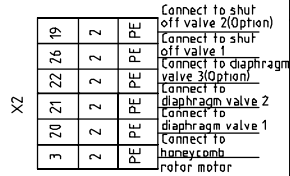
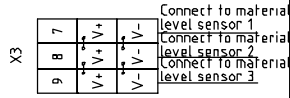
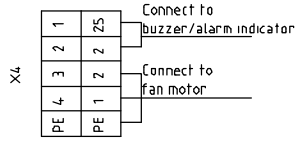
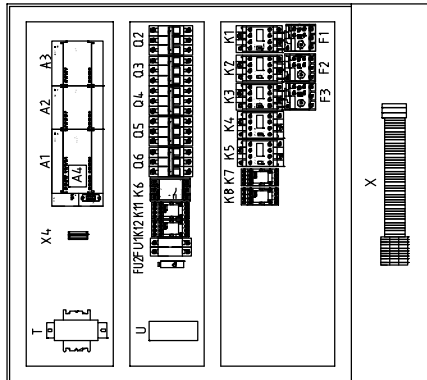
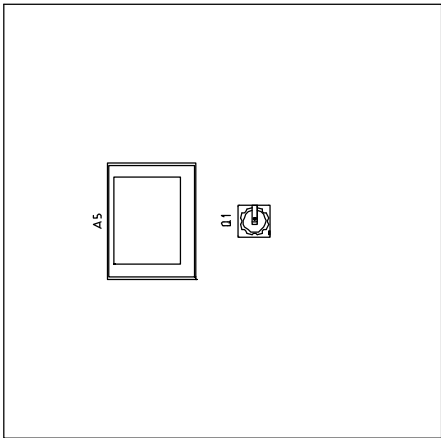
1200/120E 蓋机版本 Ver.A 1600/120E 蓋机版本 Ver.E 2300/120E 蓋机版本 Ver.D

Mark	Before modification	After modification	Modified by	Modify date	Checked by	Prepared by	Designer	Drawer	Version
				20170817					

Title SCD-120U(160U)/1200U/120H-LC
Electrical Diagram 6

Scale	Page
Standard	6
CE	Totally 10
Voltage	400V
Frequency	50HZ





1200/120B 搅拌机版本 Ver.A | 1680/120B 搅拌机版本 Ver.E | 2300/120B 搅拌机版本 Ver.D

Drawn	Version	G	20170817
Designer	Approved by		
Proofread by	Checked by		
Modified by	Modify date		
Before modification	After modification		

Title		Drawing No.	
SCD-120U(160U)230U/120H-LC		SCD-120U(160U)230U/120H-LC-CE-400V-G-7	
Electrical Components Layout		Scale	Page
		Standard	7
		Voltage	Totally 10 Pages
		Frequency	400V
			50HZ



1	2	3	4	5	6	7	8	
N0	Symbol	Name	Manufacturer	Type	Specification	Number	Material number	Remark
1	Q1	Main switch	EATON	P1-25-EA/5VB	25A	1	YE10125250000	
2	Q2	Circuit-breaker	TECO	BM-63C 3P	16A	1	YE403016030000	
3	Q3 Q6	Circuit-breaker	TECO	BM-63C 3P	10A	2	YE403010030000	A
4		Excitation release	TECO	MX	220V 50/60HZ	2	YE40023560000	
5	Q4 Q5	Circuit-breaker	TECO	BM-63C 3P	6A	2	YE403006030000	
6	K1 K2 K3	Contacto	SIEMENS	3RT6016-1AN21	9A 220V 50/60HZ	3	YE00601621000	
7	K4	Contacto	SIEMENS	3RT6018-1AN21	16A 220V 50/60HZ	1	YE006018000000	
8	K5	Contacto	SIEMENS	3RT6017-1AN21	12A 220V 50/60HZ	1	YE00601721000	
9	K6	Phase relay	CHAOSHI	ABJ-10W	400V 50/60HZ	1	YE031038000000	
10	K7 K8	Relay	WEIDMULLER	DRM270730LT	220V 50/60HZ	2	YE032707000000	
11	K11 K12	Relay	WEIDMULLER	DRM270724LT	24V DC	2	YE032724000000	B
12	F1	Overload relay	SIEMENS	3RU6116-1DB0	2.2-3.2A	1	YE011602220000	
13	F2	Overload relay	SIEMENS	3RU6116-1AB0	11-116A	1	YE011601100000	
14	F3	Overload relay	SIEMENS	3RU6116-1FB0	3.5-5A	1	YE011603500000	
15	A1	PLC	SIEMENS	CPU SR30 AC/DC/RLY	100-230VAC 50/60HZ	1	YE610030060000	
16	A2	PLC Analog module	SIEMENS	4-point thermocouple temp. module EM AT10L	--	1	YE821004.00300	
17	A3	PLC Analog module	SIEMENS	4-point input analog quantity module EM AE04	--	1	YE821004.00100	(2)
18	A4	PLC Analog module	SIEMENS	Circuit board for signal expansion SB D104	--	1	YE900004.01300	
19	A5	Human-machine interface	SCHNEIDER	GX03512	24VDC	1	YE80351200200	C
20	FU1	Fuse base	CHINT	RT18-32	2P	1	YE410322000000	
21		Fuse	CHINT	10x38 500V	2A	2	YE46002000100	
22	FU2	Fuse	YINDA	FS-10	2A	1	YE410010000000	
23	T	Transformer	--	--	IN=400V OUT=230V 500mA	1	YE104023008000	
24	U	DC power	MEAN WELL	NES-35-24	OUT=DC24V 1.5A	1	YE11352400100	
25	S1	Reed switch	FOTEK	FC-12V	24VDC	1	-----	(1)
1200/1208 变更前 Ver.A		1600/1208 变更前 Ver.E		2300/1208 变更前 Ver.D		Notes: (1)Means it's not the material inside the control box. (2)Stands for optional.		
Title		Drawing NO.		Scale		Page		
SCD-120U(160U)230U/120H-LC		SCD-120U(160U)230U/120H-LC		Standard		CE		8
Electrical Components List 1		Electrical Components List 1		Standard		Voltage		Totally 10 Pages
						Frequency		4.00V
								50HZ
Mark		Before modification		After modification		Modified by		
						Date		
						20170817		
						Checked by		
						Approved by		
						Version		
						G		
						Drawing NO.		
						SCD-120U(160U)230U/120H-LC		
						Electrical Components List 1		
						Standard		
						Voltage		4.00V
						Frequency		50HZ
								8

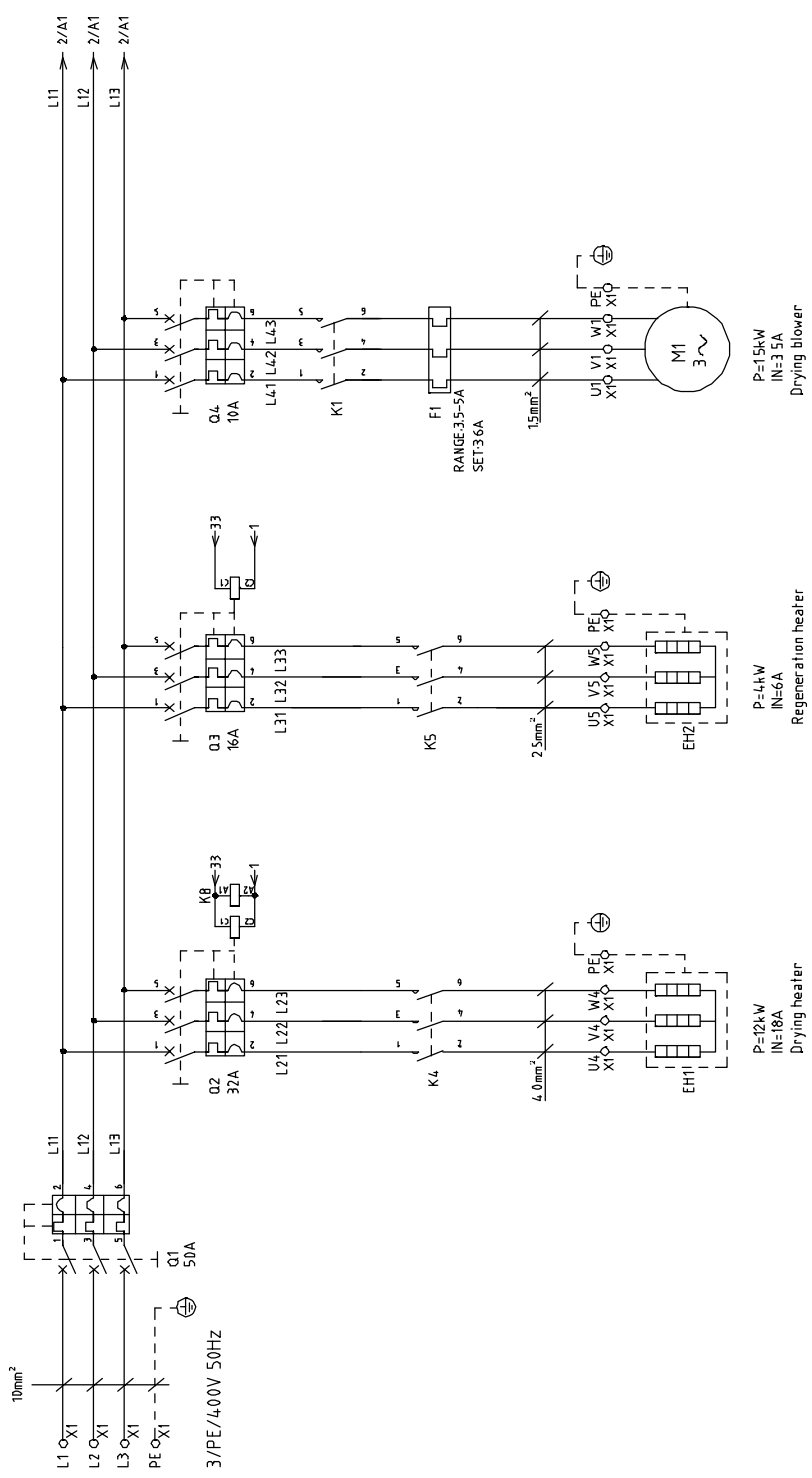


1	2	3	4	5	6	7	8	
NO	Symbol	Name	Manufacturer	Type	Specification	Number	Material number	Remark
26	S2 S3	Photoelectric switch	FOTEK	T18-3MNB-PE	24VDC	2	-----	(1)
27	S4	Micro switch	TEND	LXW5-1IG1	250V 5(4)A	1	-----	(1)
28	S5	Temperature protector	----	----	250V 5(4)A	1	-----	(1)
29	S6	Temperature protector	----	----	250V 5(4)A	1	-----	(1)
30	S7 S8 S9	Thermocouple	SHINI	ST-K	K	3	-----	(1)
31	S10	Dew-point transducer	CS	CS 217-OEM	POWER=24VDC OUT=4-20mA	1	YE90021700100	(1) (2)
32	Y1-Y4	Solenoid valve	----	MSFW-230-50/60	220V 50/60Hz	4	-----	(1)
33	H1	Buzzer	HITPOINT	PF-35A	60-250V	1	YE84-003500200	(1)
34	H2	Alarm indicator	SHINI	LED-3051	220V 50/60Hz	1	YE83305100200	(1)
35	X1 X2 X4	Terminal board	----	4mm ²	41A 690V	18	YE60000403200	
36			----	4mm ² PE	-	6	YE60000403500	
37				2.5mm ²	32A 690V	20	YE60002503200	
38				2.5mm ² PE	-	5	YE60002503400	
39				2.5mm ²	32A 690V	6	YE60002503200	(2)
40				2.5mm ² PE	-	2	YE60002503400	(2)
41	X3	Terminal board	----	Terminal SK2.5-TL	10A 250V	3	YE60002503600	
42				FBS TB 10-ZDIK RD	10A 250V	3	YE60001000200	
43				SK2.5-TL	10A 250V	3	YE60002503600	
44	X5 X6 X7	Heavy duty connector	WEIN	HDC-HA-004.1	4P 10A	3	YE6804-1000100	(1)
45	FM	Fan	SUNON	DP-200A	230V AC 4.0W	1	YM60121200400	(1)
46	S10	Communication interface board RS-485 (double Dsub-9pin connector)	----	----	----	1	YE90048501200	(1)
47			----	----	----	1	YR4-00485000000	(1)
48	M1	Blower	SHINI	----	400V 0.75kW	1	-----	(1)
49	M2	Blower	SHINI	----	400V 0.4kW	1	-----	(1)
50	M3	Blower	SHINI	----	400V 1.5kW	1	-----	(1)

1	2	3	4	5	6	7	8
1200/1208 变更前 Ver.A		1600/1208 变更前 Ver.E		2300/1208 变更前 Ver.D		Notes: (1)Means it's not the material inside the control box. (2)Stands for optional.	
Drawn	Designer	Proofread	Checked by	Modify date	After modification	Before modification	Mark
Title		Version		Approved by		Date	
SCD-120U(160U)230U/120H-LC		G				20170817	
Drawing No.		Scale		Standard		Page	
SCD-120U(160U)230U/120H-LC-EE-400V-G-9		Standard		CE		Page 9	
Electrical Components List 2		Voltage		Frequency		Totally 10 Pages	
		400V		50HZ			

SHINI		信易塑料机械股份有限公司 Shini Plastics Technologies, Inc.	
--------------	--	---	--

1		2		3		4		5		6		7		8	
NO	Symbol	Name	Manufacturer	Type	Specification	Number	Material number	Remark							
51	M/L	Motor	----	-----	230V 0.015kW	1	-----	(1)							
52	EH1	Heater	SHINI	-----	400V 6kW	1	-----	(1)							
53	EH2	Heater	SHINI	-----	400V 3kW	1	-----	(1)	600W机型为45V						
A															
B															
C															
D															
1200/1200整机版本 Ver.A		1600/1200整机版本 Ver.E		2300/1200整机版本 Ver.D		Notes: (1)Means it's not the material inside the control box. (2)Stands for optional.									
		Title		Drawing No.		Scale		Page							
		SCD-120U(160U)/230U/120H-LC		G		Standard		10							
		Electrical Components List 3		Approved by		Voltage		CE							
		20170817		Date		Frequency		400V							
Mark		Before modification		After modification		Modified by		Modify date							
SHINI 信易理热模城股份有限公司 Shini Plastics Technologies, Inc.															
8															



整机版本 Ver.D

Note For 60Hz, the regenerative heater is 4kW

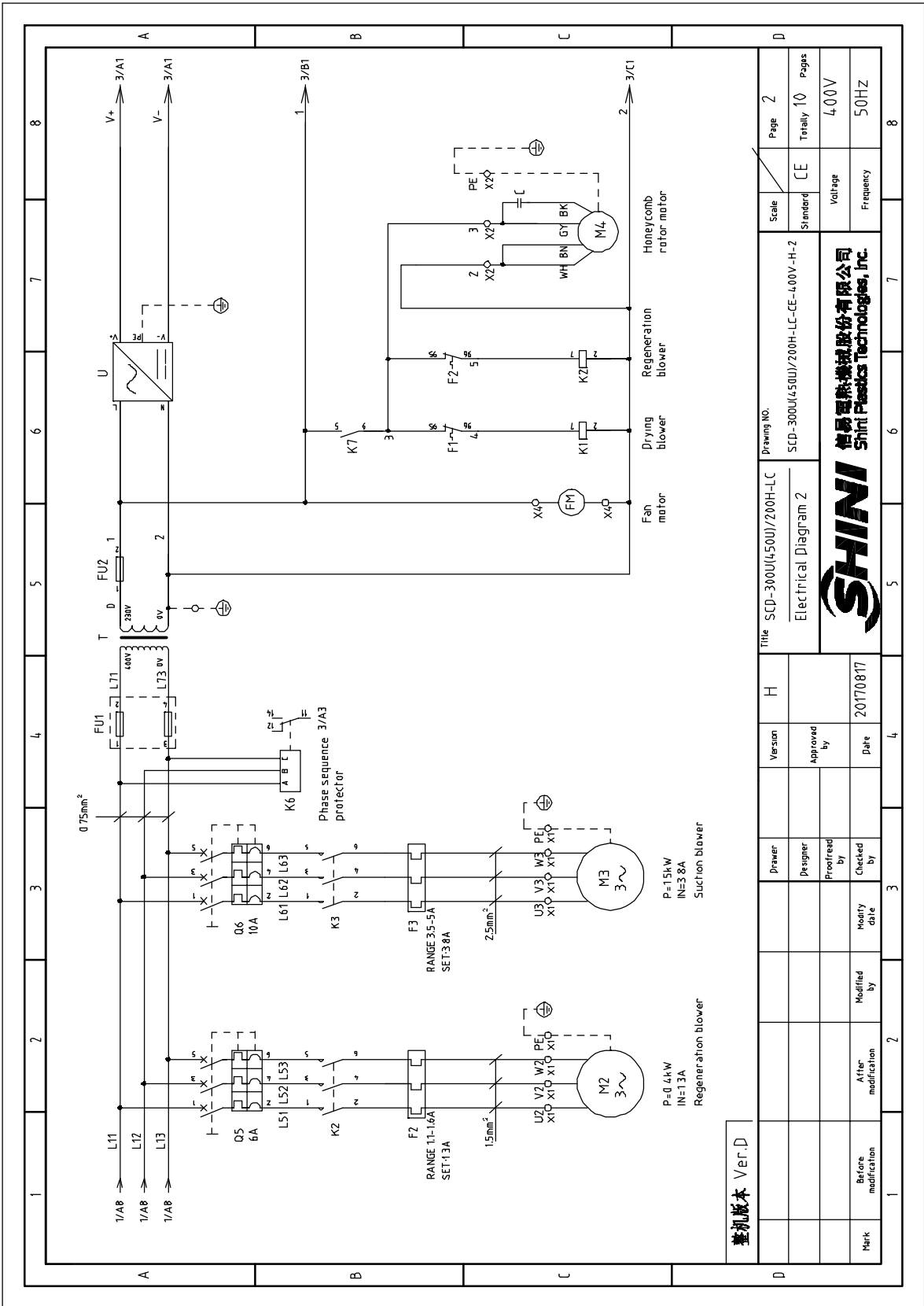
Drawer	Version	H	Drawing No.	
Designer	Approved by		SCD-300U/450U/200H-LC	
Prepared by	Checked by	20170817	Title SCD-300U/450U/200H-LC-CE-400V-H-1	
Modified by	Modify date		Scale	Page 1
After modification			Standard	CE
Mark	Before modification		Volpage	Totally 10
			Frequency	Pages
				400V
				50HZ



1 2 3 4 5 6 7 8

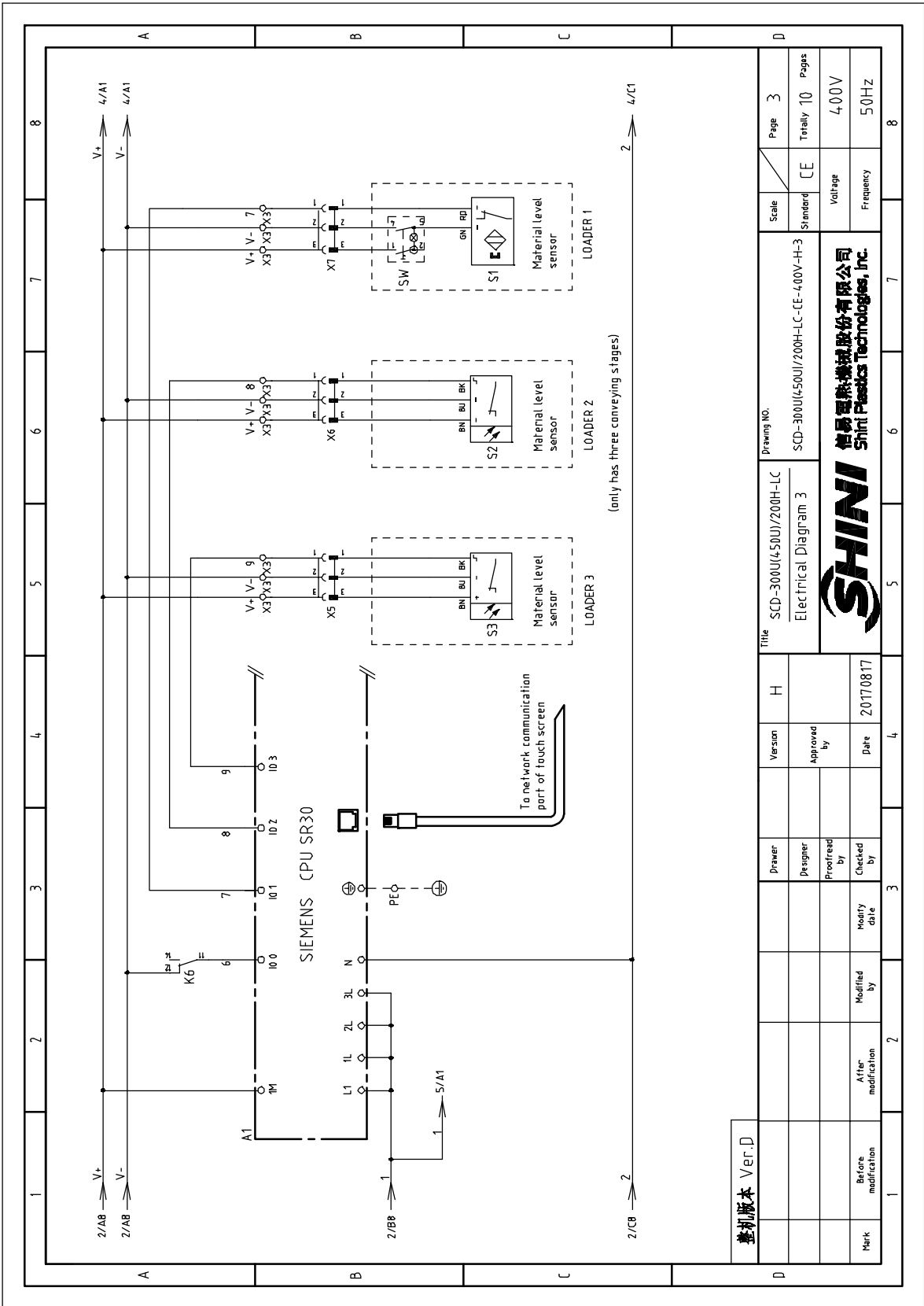
A B C D

1 2 3 4 5 6 7 8



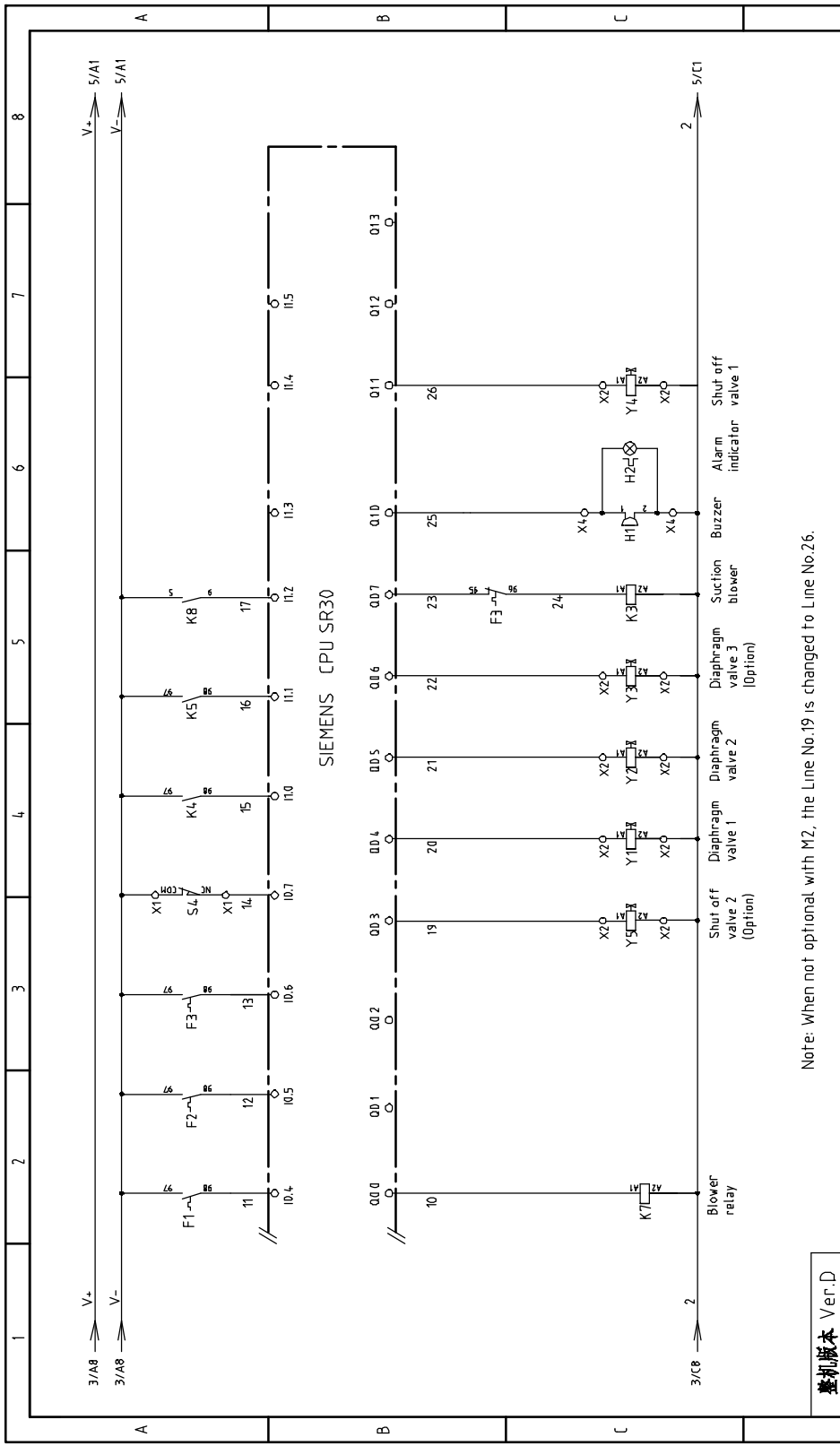
整机版本 Ver.D

Mark	Before modification	After modification	Modified by	Modify date	Checked by	Designed by	Drawn	H	Version	Approved by	Date	20170817
Scale	CE	Stand	CE	Stand	CE	Stand	CE	Stand	CE	Stand	CE	Stand
Page	2	Totally	10	Pages	400V	50Hz						
Title SCD-300U(450U)/200H-LC Electrical Diagram 2 SCD-300U(450U)/200H-LC-CE-400V-H-2 SHINI 信易塑料机械股份有限公司 Shini Plastics Technologies, Inc.												
Drawing No. SCD-300U(450U)/200H-LC Scale Voltage 400V Frequency 50Hz												



整机版本 Ver.D

Mark	Before modification	After modification	Modified by	Modify date	Checked by	20170817	Approved by	H	Version	3	Title	SCD-300U(450U)/200H-LC Electrical Diagram 3	Scale	CE	Page	3
											SCD-300U(450U)/200H-LC-CE-4.00V-H-3	Standard	CE	Totally	10	Pages
											SHINI 信易塑料机械股份有限公司 Shini Plastics Technologies, Inc.	Voltage	400V	Frequency	50HZ	

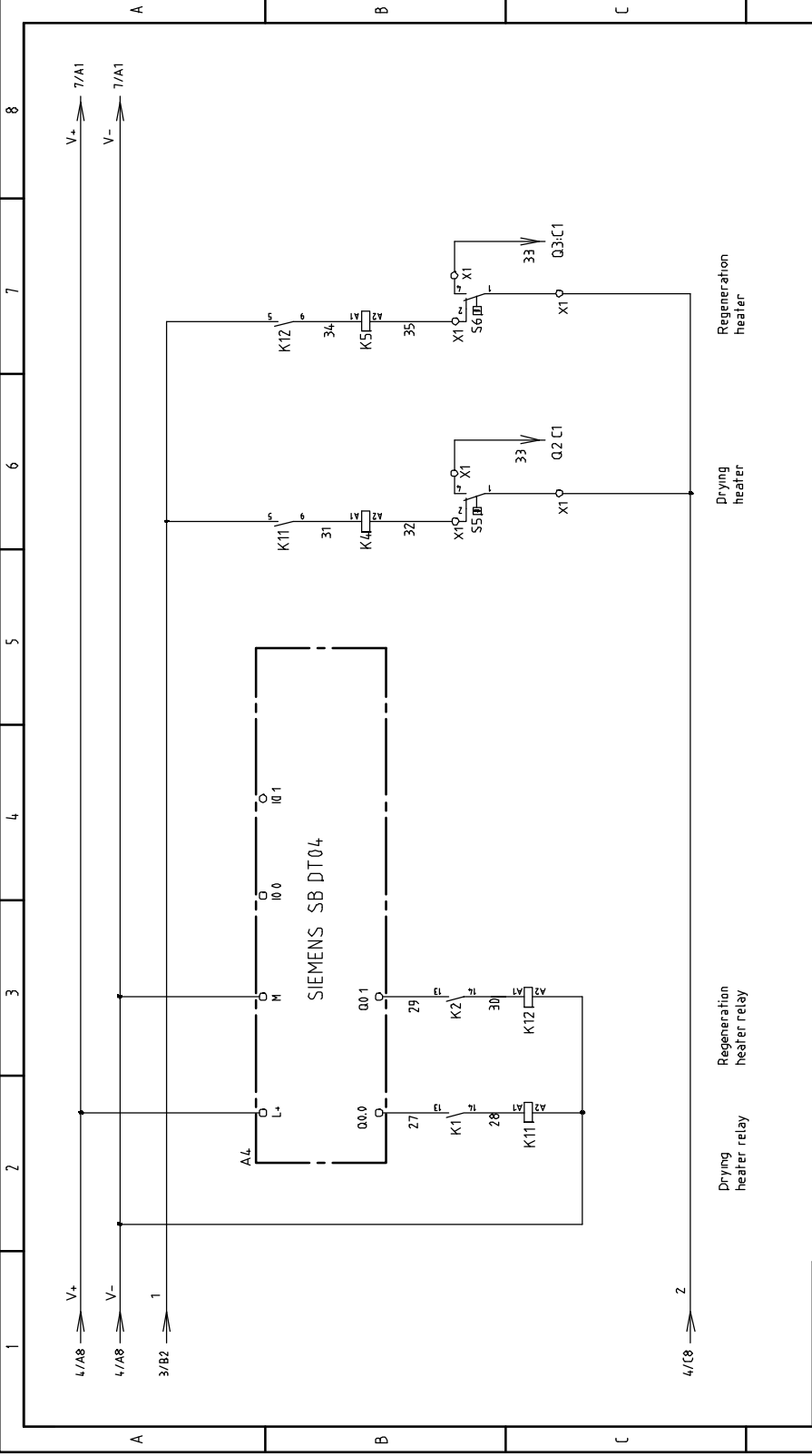


Note: When not optional with M2, the Line No.19 is changed to Line No.26.

蓋机版本 Ver.D

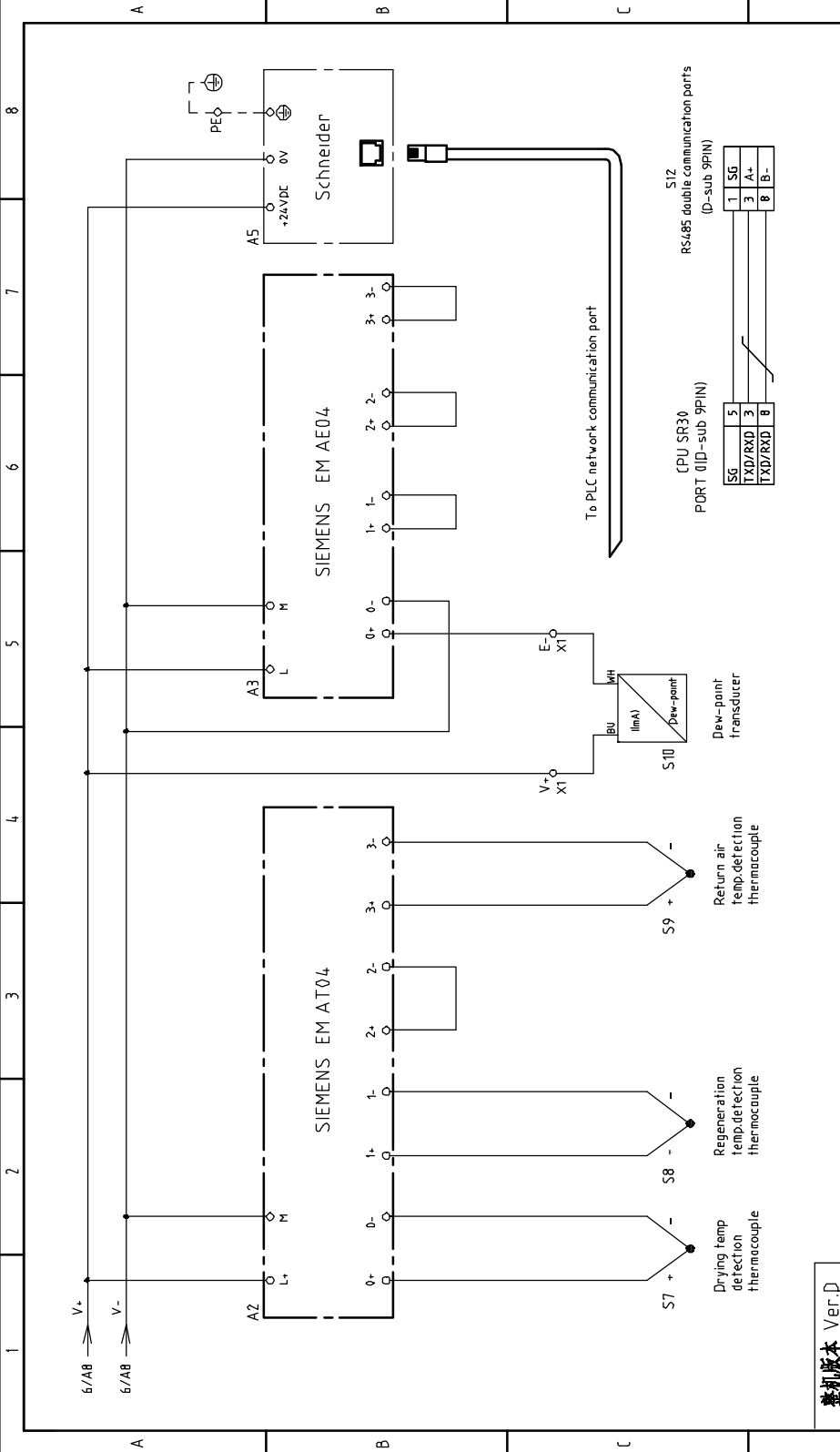
Drawn	Version	H	Drawing No.	
Designer	Approved by		SCD-300(450U)/200H-LC	
Proofread by	Date	20170817	Standard	CE
Checked by	Modify date		Voltage	400V
Mark	Modified by		Frequency	50HZ
After modification			Scale	1:1
Before modification			Page	4
			Totally	10
			Pages	





整机版本 Ver.D

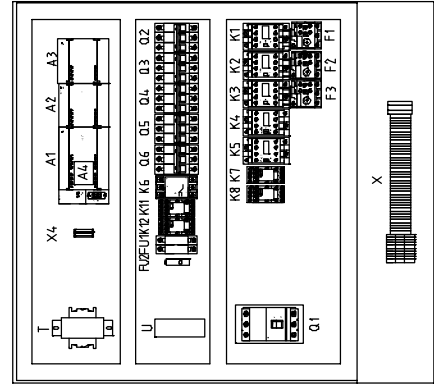
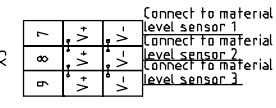
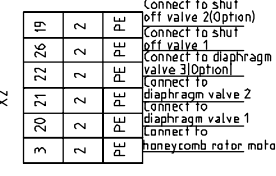
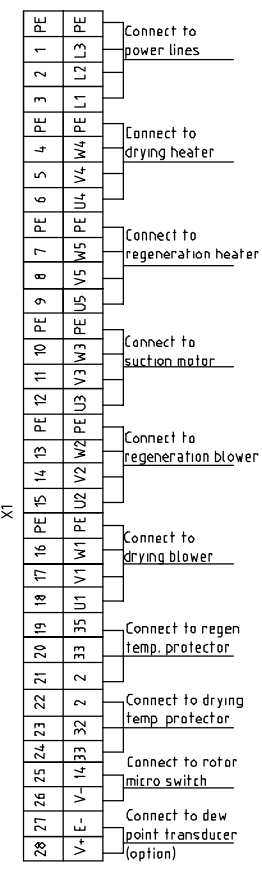
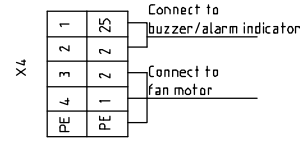
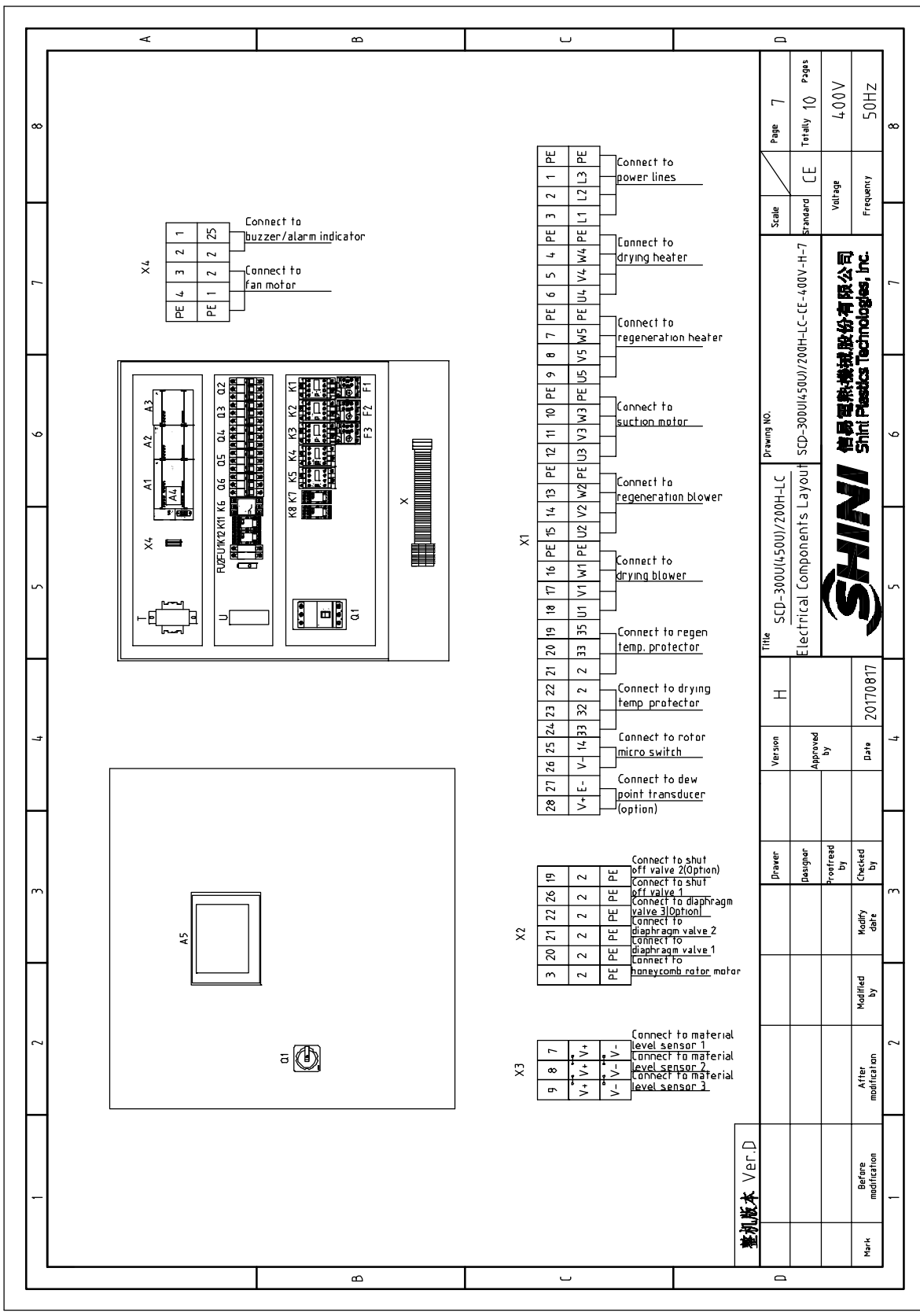
Mark	Before modification	After modification	Modified by	Modify date	Checked by	Designer	Drawer	Version	H	Title SCD-300U(450U)/200H-LC Electrical Diagram 5	Drawing No. SCD-300U(450U)/200H-LC-CE-400V-H-5	Scale	Standards	Page	5
				20170817				Approved by				CE	Totally	10	Pages
										 信易理热机械股份有限公司 Shini Plastics Technologies, Inc.					



整机版本 Ver.D

Mark	Before modification	Modified by	20170817	Version	H	Title	SCD-300U(450U)/200H-LC Electrical Diagram 6	Scale	CE	Page	6
Designer	Designed by	Approved by		Checked by		Drawing No.	SCD-300U(450U)/200H-LC-CE-400V-H-6	Standard		Totally	10
After modification	After modification	Modified by	20170817	Checked by						Voltage	400V
		Modify date								Frequency	50HZ





Scale	Standard	Page	7
Standard	CE	Totally	10
Voltage	400V	Pages	50HZ
Frequency	50HZ		

Drawing No. SCD-300U/450U/200H-LC
 Title SCD-300U/450U/200H-LC Electrical Components Layout
 Drawing No. SCD-300U/450U/200H-LC-CE-400V-H-7


Version	H	Date	20170817
Approved by		Date	


Designer		Check by	
Drawn		Modify date	

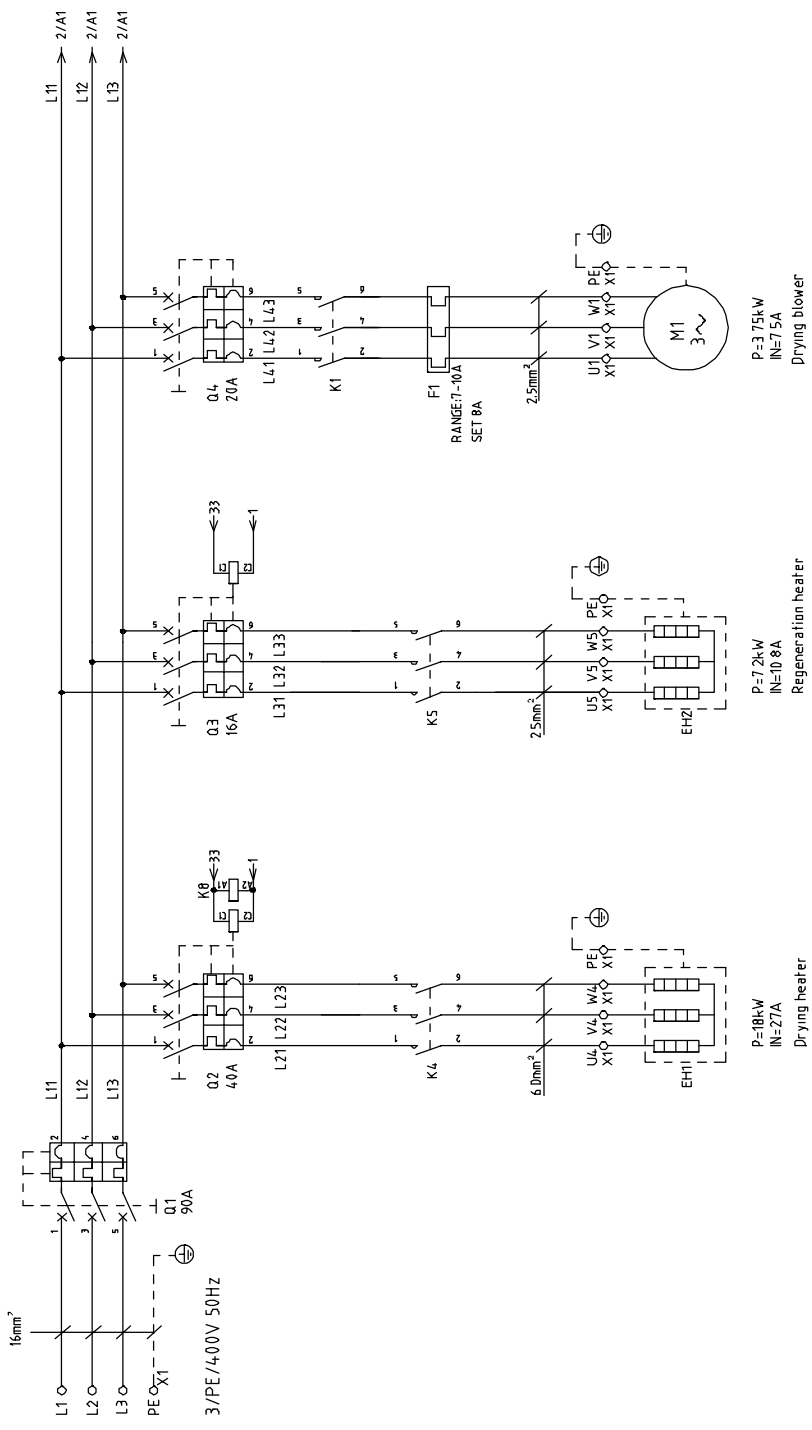
Modified by		Before modification	
After modification		Mark	



整机版本 Ver.D

1	2	3	4	5	6	7	8	
N0	Symbol	Name	Manufacturer	Type	Specification	Number	Material number	Remark
1	Q1	Main switch	ABB	A1A125TMF50	50A	1	YE4-1105200000	
2	Q2	Circuit-breaker	TECO	BM-63C 3P	32A	1	YE4-0303203000	
3	Q3	Circuit-breaker	TECO	BM-63C 3P	16A	1	YE4-0301603000	A
4		Excitation release	----	MX	220V 50/60Hz	2	YE4-0023560000	
5	Q4 Q6	Circuit-breaker	TECO	BM-63C 3P	10A	2	YE4-0301003000	
6	Q5	Circuit-breaker	TECO	BM-63C 3P	6A	1	YE4-0300603000	
7	K1	Contact	SIEMENS	3RT6016-1AN21	9A 220V 50/60Hz	1	YE00601621000	
8	K2	Contact	SIEMENS	3RT6016-1AN21	9A 220V 50/60Hz	1	YE00601621000	
9	K3	Contact	SIEMENS	3RT6016-1AN21	9A 220V 50/60Hz	1	YE00601621000	
10	K4	Contact	SIEMENS	3RT6027-1ANZ0	32A 220V 50/60Hz	1	YE0060272000	
11	K5	Contact	SIEMENS	3RT6018-1AN21	16A 220V 50/60Hz	1	YE00601821000	B
12	K6	Phase relay	CHAOSHI	ABJ-10W	400V 50/60Hz	1	YE03103800000	
13	K7 K8	Relay	WEIDMULLER	DRM270730LT	220V 50/60Hz	2	YE03270700000	
14	K11 K12	Relay	WEIDMULLER	DRM270724LT	24V DC	2	YE03272400000	
15	F1	Overload relay	SIEMENS	3RU6116-1FB0	35-5A	1	YE01160350000	
16	F2	Overload relay	SIEMENS	3RU6116-1AB0	11-16A	1	YE01160110000	
17	F3	Overload relay	SIEMENS	3RU6116-1FB0	35-5A	1	YE01160350000	
18	A1	PLC	SIEMENS	CPU SR30 AC/DC/RLY	100-230VAC 50/60Hz	1	YE8100306000	
19	A2	PLC Analog module	SIEMENS	4-point input analog module EM AT04	--	1	YE82100400300	C
20	A3	PLC Analog module	SIEMENS	4-point input analog quantity module EM AE04	--	1	YE82100400100	(2)
21	A4	PLC Analog module	SIEMENS	Circuit board for signal expansion SB DT04	--	1	YE900100401300	
22	A5	Human-machine interface	SCHNEIDER	GXU5512	24VDC	1	YE80351200200	
23	FU1	Fuse base	CHINT	RT1B-32	2P	1	YE4-10322000000	
24		Fuse	CHINT	10x38 500V	2A	2	YE460020100100	
25	FU2	Fuse	YINDA	FS-10	2A	1	YE4-10010000000	
整列版本 Ver.D Notes: (1)Means it's not the material inside the control box. (2)Strands for optional.								
				Drawing NO. SCD-300U(450U)/200H-LC	Title SCD-300U(450U)/200H-LC-EE-4.00V-H-8		Scale Standard	Page 8
				Electrical Components List 1	Standard CE		Voltage 4.00V	Pages Totally 10
				 SHINI 信易理熱機城股份有限公司 Shini Plastics Technologies, Inc.		Frequency 50HZ		
Mark	Before modification	After modification	Modified by	Modify date	Checked by	Date		
				20170817				

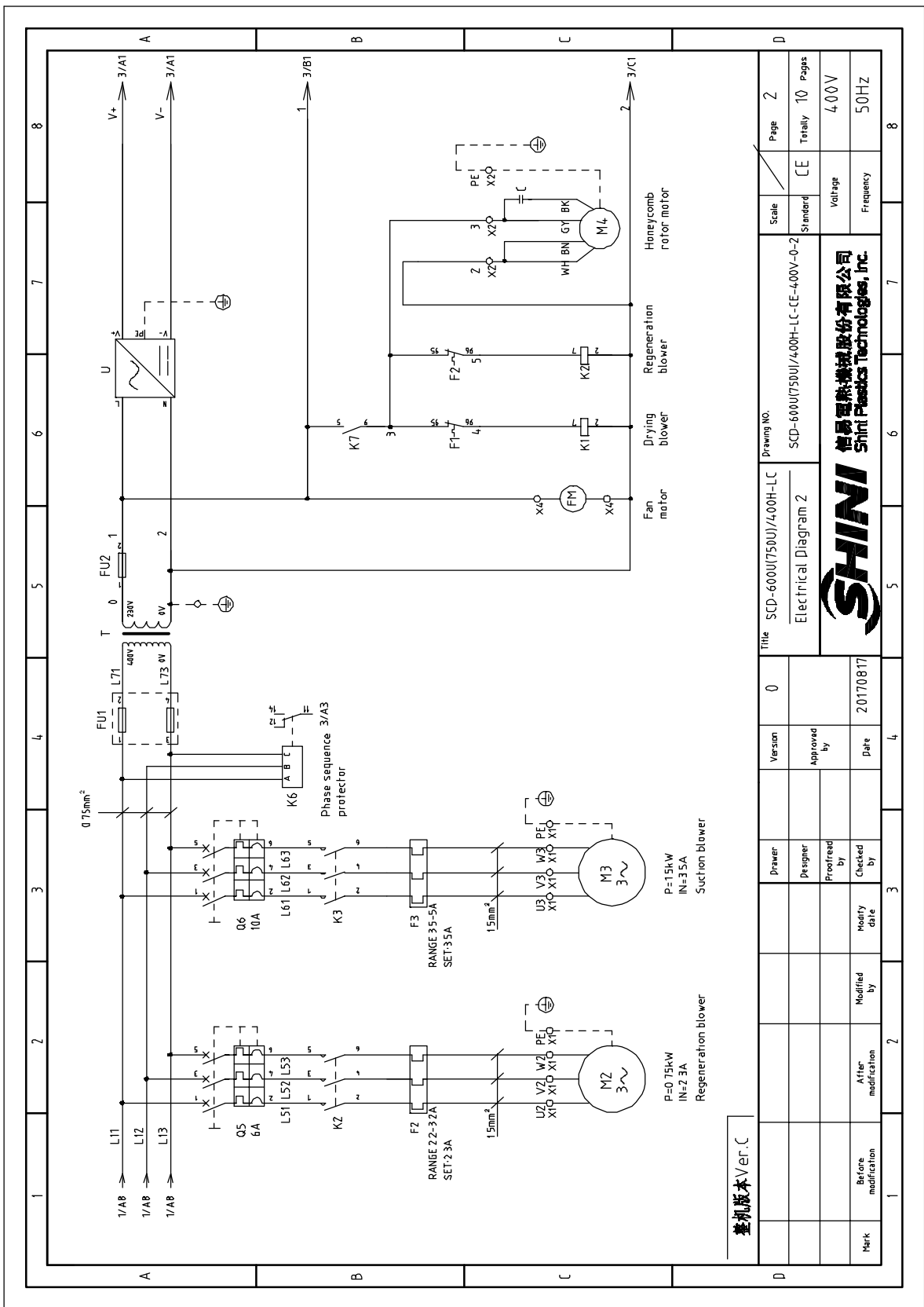
1	2	3	4	5	6	7	8	
NO	Symbol	Name	Manufacturer	Type	Specification	Number	Material number	Remark
26	T	Transformer	--	--	IN=400V OUT=230V 800mA	1	YE704-02300800	
27	U	DC power	MEAN WELL	NES-35-24	OUT=DC24V 15A	1	YE71352400100	
28	S1	Reed switch	FOTEK	FC-12V	24VDC	1	-----	(1)
29	S2 S3	Photoelectric switch	FOTEK	T18-3MNB-PE	24VDC	2	-----	(1)
30	S4	Micro switch	TEND	LXW5-11G1	250V 5(4)A	1	-----	(1)
31	S5	Temperature protector	----	----	250V 5(4)A	1	-----	(1)
32	S6	Temperature protector	----	----	250V 5(4)A	1	-----	(1)
33	S7 S8 S9	Thermocouple	SHINI	ST-K	K	3	-----	(1)
34	S10	Dew-point transducer	CS	CS 217-OEM	POWER=24VDC OUT=4-20mA	1	YE90021700100	(2)
35	Y1-Y5	Solenoid valve	--	MSFW-230-50/60	220V 50/60Hz	5	-----	(1)
36	H1	Buzzer	HITPOINT	PF-35A	60-250V	1	YEB4-003500200	(1)
37	H2	Alarm indicator	SHINI	LED-30S1	220V 50/60Hz	1	YEB330S100200	(1)
38	X1 X2 X4	Terminal board	--	10mm ²	41A 690V	3	YE60001003200	
39				10mm ² PE	-	1	YE60001003500	
40				4mm ²	41A 690V	15	YE60000403200	
41				4mm ² PE	-	5	YE60000403500	
42				2.5mm ²	32A 690V	20	YE60002503700	
43				2.5mm ²	32A 690V	5	YE60002503700	
44				2.5mm ²	32A 690V	6	YE60002503700	(2)
45				2.5mm ² PE	-	2	YE60002503400	(2)
46	X3	Terminal board	-----	Terminal SK2.5-TL	10A 250V	3	YE60001500000	
47				FBS1B 10-ZDIK RD	10A 250V	3	YE60001000200	
48				FBS1B 10-ZDIK BU	10A 250V	3	YE60001000000	
49	X5 X6 X7	Heavy duty connector	WEIN	HDC-HA-004.1	4P 10A	3	YE68041000100	(1)
50	FM	Fan	SUNDON	DP-200A	230V AC 4.0W	1	YM60121200400	(1)
整判版本 Ver.D Notes ①Means it's not the material inside the control box. ②Stands for optional.								
				Drawing NO.	SCD-300U(450U)/200H-LC-CE-4,00V-H-9		Scale	Page 9
				Electrical Components List 2		Standard	CE	Totally 10 Pages
				 SHINI 信易理熱機城股份有限公司 Shini Plastics Technologies, Inc.		Voltage	400V	
						Frequency	50HZ	
Mark	Before modification	After modification	Modified by	Modify date	20170817			
1	2	3	4	5	6	7	8	



整机版本 Ver.C

Mark	Before modification	Modified by	20170817	Checked by	20170817	Approved by	0	Version	0	Drawing No.	SCD-600U/750U/400H-LC	Scale	Stand	CE	Page	1
										Title	SCD-600U/750U/400H-LC	Stand	Stand	CE	Totally	10
										Electrical Diagram 1	SCD-600U/750U/400H-LC-CE-400V-0-1	Stand	Stand	CE	Volpage	400V
												Stand	Stand	CE	Frequency	50HZ

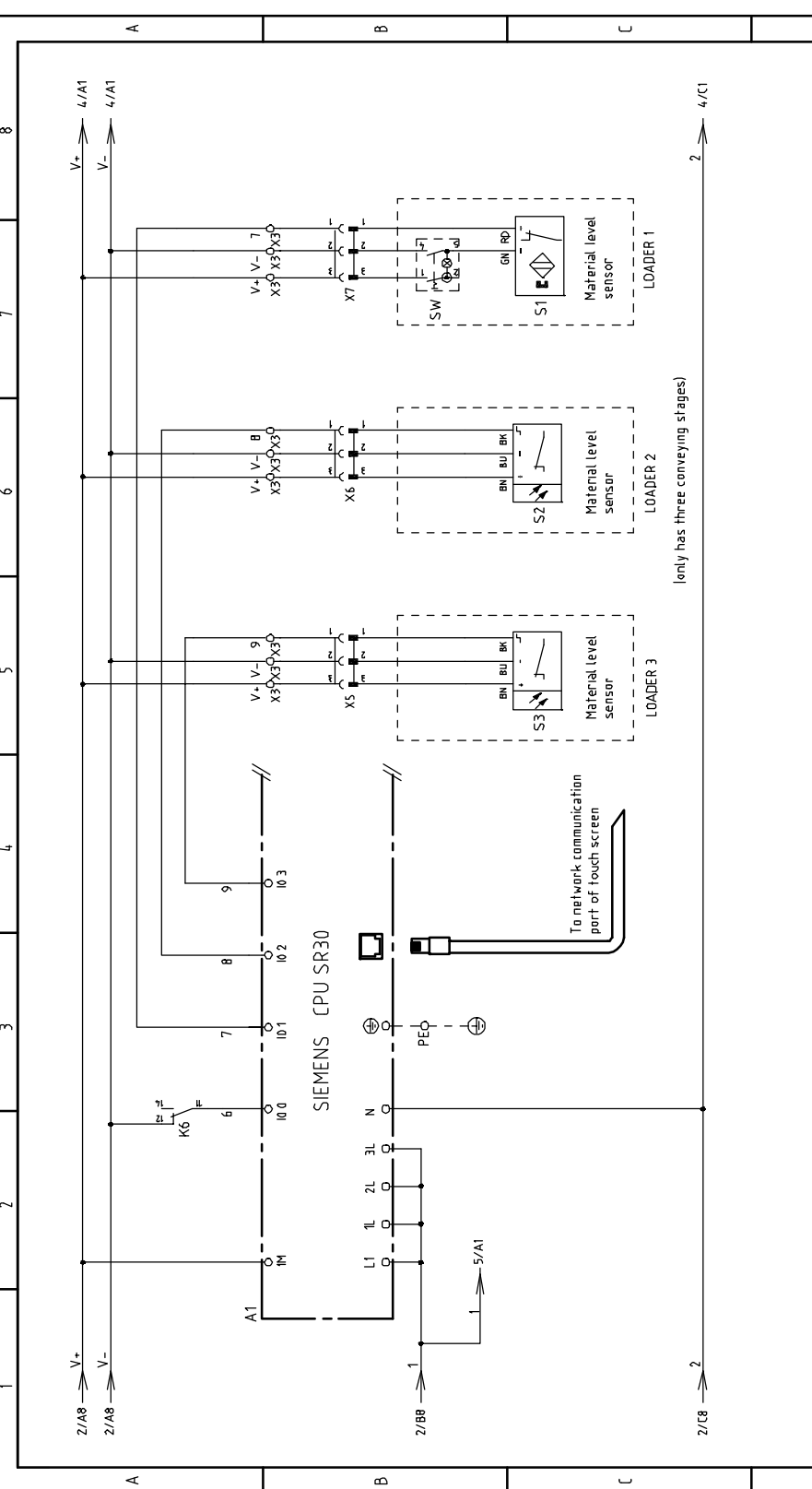




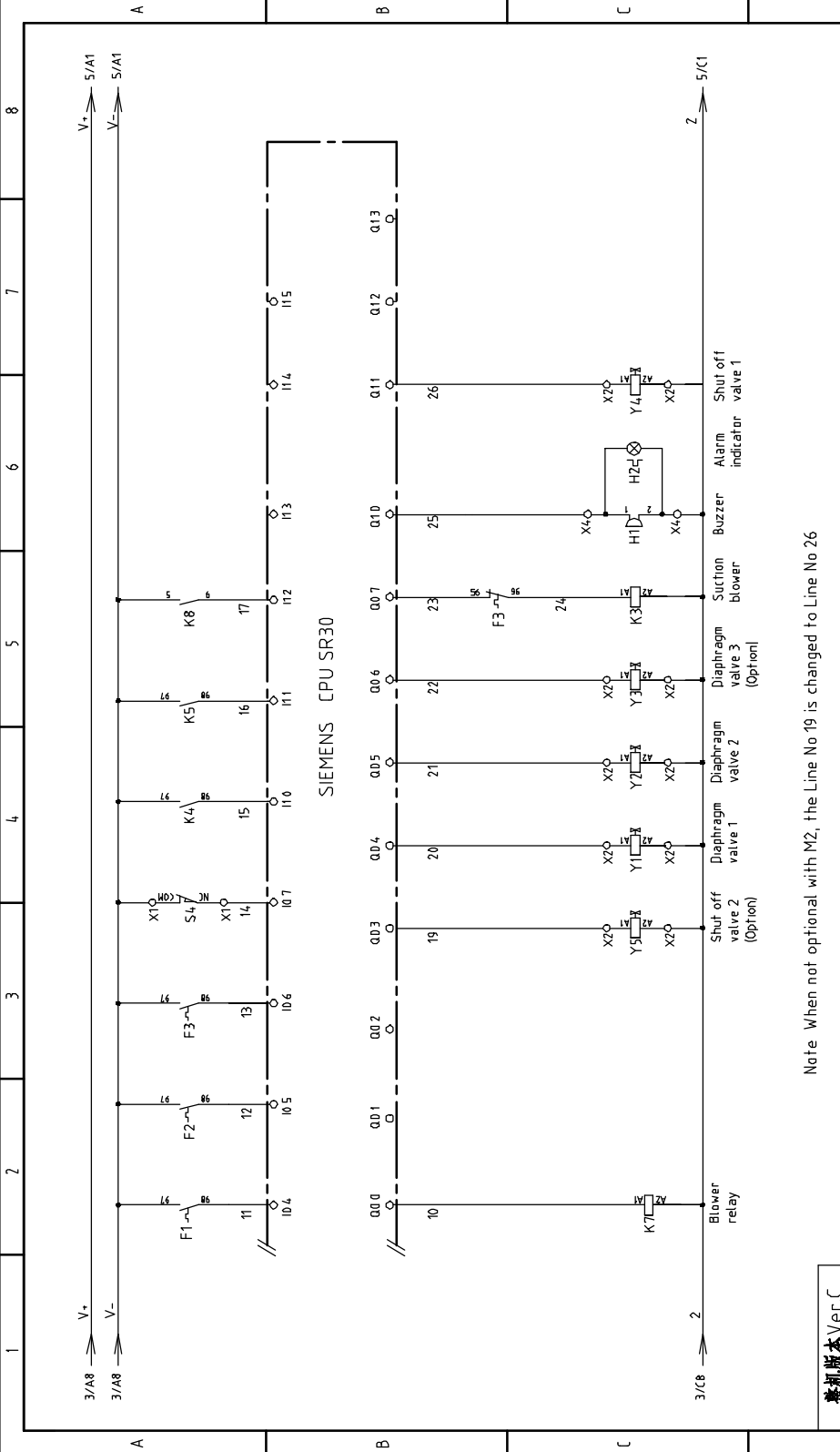
整机版本 Ver.C

Mark	Before modification	Modified by	20170817	Version	0	Design No.	SCD-600U/750U/400H-LC	Scale	2	Page	2
Checked by		Checked by	20170817	Approved by		Electrical Diagram 2	SCD-600U/750U/400H-LC-CE-400V-0-2	Standard	CE	Totally	10
Designer		Designer		Date	20170817			Motor	400V	Frequency	50HZ
Drawn		Drawn									
Professed by		Professed by									





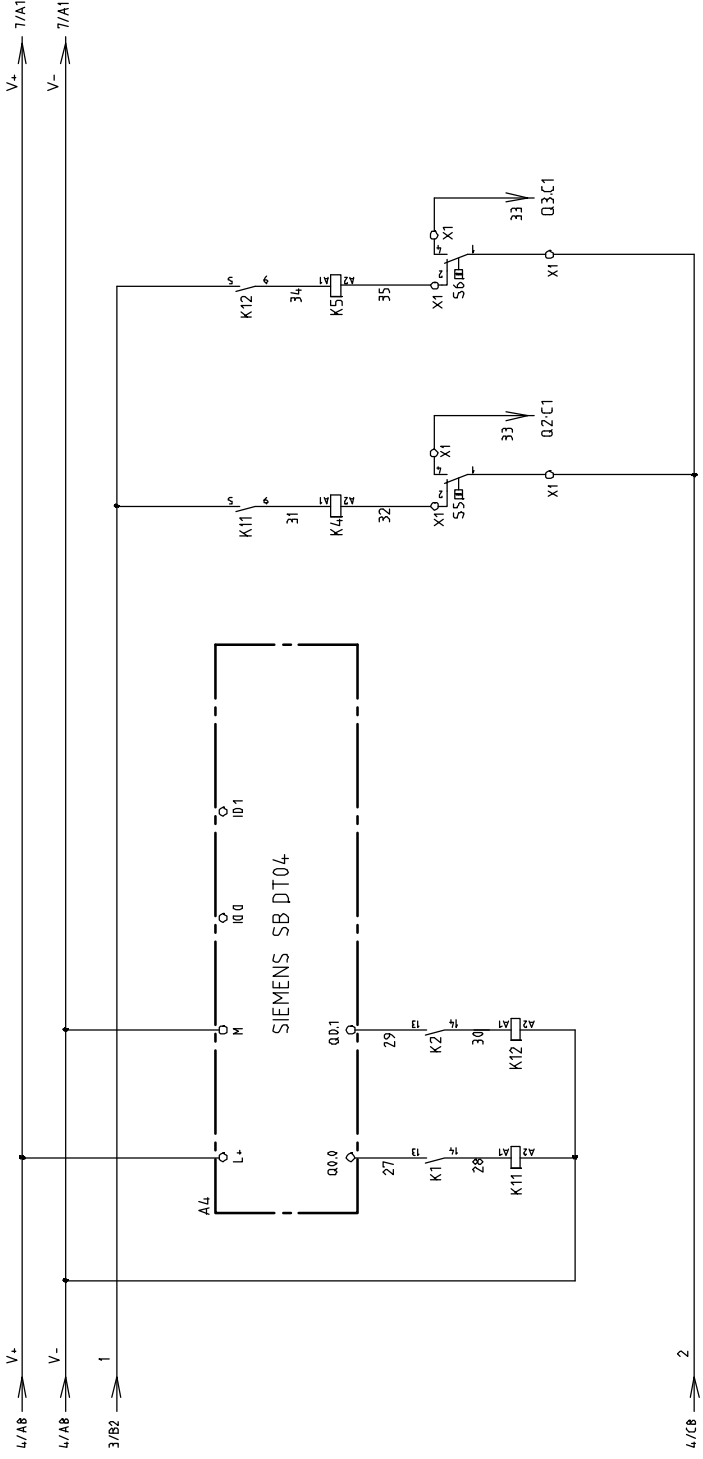
<p>整机版本 Ver. C</p>		<p>Scale</p>		<p>Page 3</p>	
<p>Drawing No.</p>		<p>SCD-600U/750U/400H-LC</p>		<p>Totally 10 Pages</p>	
<p>Title</p>		<p>SCD-600U/750U/400H-LC-CE-400V-0-3</p>		<p>Standards</p>	
<p>Electrical Diagram 3</p>		<p>CE</p>		<p>Voltage</p>	
<p>SHINI 信易塑料机械股份有限公司 Shini Plastics Technologies, Inc.</p>		<p>Frequency</p>		<p>400V</p>	
<p>Version</p>		<p>0</p>		<p>Frequency</p>	
<p>Approved by</p>		<p></p>		<p>50HZ</p>	
<p>Checked by</p>		<p>20170817</p>		<p></p>	
<p>Modified by</p>		<p></p>		<p></p>	
<p>Modify date</p>		<p></p>		<p></p>	
<p>After modification</p>		<p></p>		<p></p>	
<p>Before modification</p>		<p></p>		<p></p>	



Note: When not optional with M2, the Line No 19 is changed to Line No 26

差机版本 Ver.C

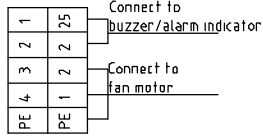
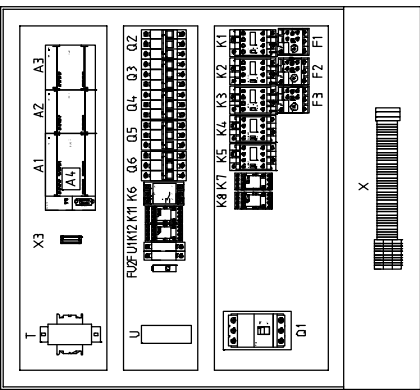
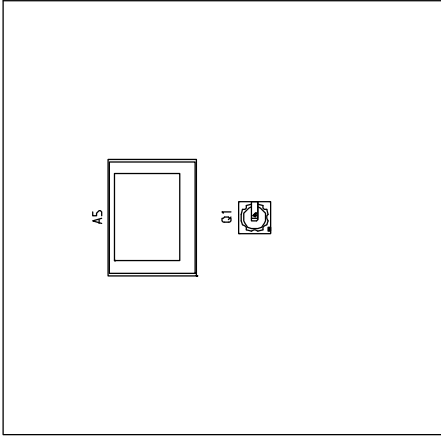
Mark	Before modification	After modification	Modified by	Modify date	Checked by	Designed by	Drawer	Version	0	Title		SCD-600U(750U)/400H-LC Electrical Diagram 4		Drawing No.		SCD-600U(750U)/400H-LC-CE-4.00V-0-4		Scale	Stand	CE	Page	4	
				20170817				Approved by			SHINI		SHINI		SHINI		SHINI		Stand	Stand	Stand	Totally	10
											SHINI		SHINI		SHINI		SHINI		Stand	Stand	Stand	Page	4
											SHINI		SHINI		SHINI		SHINI		Stand	Stand	Stand	Totally	10
											SHINI		SHINI		SHINI		SHINI		Stand	Stand	Stand	Page	4
											SHINI		SHINI		SHINI		SHINI		Stand	Stand	Stand	Totally	10
											SHINI		SHINI		SHINI		SHINI		Stand	Stand	Stand	Page	4
											SHINI		SHINI		SHINI		SHINI		Stand	Stand	Stand	Totally	10
											SHINI		SHINI		SHINI		SHINI		Stand	Stand	Stand	Page	4
											SHINI		SHINI		SHINI		SHINI		Stand	Stand	Stand	Totally	10
											SHINI		SHINI		SHINI		SHINI		Stand	Stand	Stand	Page	4
											SHINI		SHINI		SHINI		SHINI		Stand	Stand	Stand	Totally	10
											SHINI		SHINI		SHINI		SHINI		Stand	Stand	Stand	Page	4
											SHINI		SHINI		SHINI		SHINI		Stand	Stand	Stand	Totally	10
											SHINI		SHINI		SHINI		SHINI		Stand	Stand	Stand	Page	4
											SHINI		SHINI		SHINI		SHINI		Stand	Stand	Stand	Totally	10
											SHINI		SHINI		SHINI		SHINI		Stand	Stand	Stand	Page	4
											SHINI		SHINI		SHINI		SHINI		Stand	Stand	Stand	Totally	10
											SHINI		SHINI		SHINI		SHINI		Stand	Stand	Stand	Page	4
											SHINI		SHINI		SHINI		SHINI		Stand	Stand	Stand	Totally	10
											SHINI		SHINI		SHINI		SHINI		Stand	Stand	Stand	Page	4
											SHINI		SHINI		SHINI		SHINI		Stand	Stand	Stand	Totally	10
											SHINI		SHINI		SHINI		SHINI		Stand	Stand	Stand	Page	4
											SHINI		SHINI		SHINI		SHINI		Stand	Stand	Stand	Totally	10
											SHINI		SHINI		SHINI		SHINI		Stand	Stand	Stand	Page	4
											SHINI		SHINI		SHINI		SHINI		Stand	Stand	Stand	Totally	10
											SHINI		SHINI		SHINI		SHINI		Stand	Stand	Stand	Page	4
											SHINI		SHINI		SHINI		SHINI		Stand	Stand	Stand	Totally	10
											SHINI		SHINI		SHINI		SHINI		Stand	Stand	Stand	Page	4
											SHINI		SHINI		SHINI		SHINI		Stand	Stand	Stand	Totally	10
											SHINI		SHINI		SHINI		SHINI		Stand	Stand	Stand	Page	4
											SHINI		SHINI		SHINI		SHINI		Stand	Stand	Stand	Totally	10
											SHINI		SHINI		SHINI		SHINI		Stand	Stand	Stand	Page	4
											SHINI		SHINI		SHINI		SHINI		Stand	Stand	Stand	Totally	10
											SHINI		SHINI		SHINI		SHINI		Stand	Stand	Stand	Page	4
											SHINI		SHINI		SHINI		SHINI		Stand	Stand	Stand	Totally	10
											SHINI		SHINI		SHINI		SHINI		Stand	Stand	Stand	Page	4
											SHINI		SHINI		SHINI		SHINI		Stand	Stand	Stand	Totally	10
											SHINI		SHINI		SHINI		SHINI		Stand	Stand	Stand	Page	4
											SHINI		SHINI		SHINI		SHINI		Stand	Stand	Stand	Totally	10
											SHINI		SHINI		SHINI		SHINI		Stand	Stand	Stand	Page	4
											SHINI		SHINI		SHINI		SHINI		Stand	Stand	Stand	Totally	10
											SHINI		SHINI		SHINI		SHINI		Stand	Stand	Stand	Page	4
											SHINI		SHINI		SHINI		SHINI		Stand	Stand	Stand	Totally	10
											SHINI		SHINI		SHINI		SHINI		Stand	Stand	Stand	Page	4
											SHINI		SHINI		SHINI		SHINI		Stand	Stand	Stand	Totally	10
											SHINI		SHINI		SHINI		SHINI		Stand	Stand	Stand	Page	4
											SHINI		SHINI		SHINI		SHINI		Stand	Stand	Stand	Totally	10
											SHINI		SHINI		SHINI		SHINI		Stand	Stand	Stand	Page	4
											SHINI		SHINI		SHINI		SHINI		Stand	Stand	Stand	Totally	10
											SHINI		SHINI		SHINI		SHINI		Stand	Stand	Stand	Page	4
											SHINI		SHINI		SHINI		SHINI		Stand	Stand	Stand	Totally	10
											SHINI		SHINI		SHINI		SHINI		Stand	Stand	Stand	Page	4
											SHINI		SHINI		SHINI		SHINI		Stand	Stand	Stand	Totally	10
											SHINI		SHINI		SHINI		SHINI		Stand	Stand	Stand	Page	4
											SHINI		SHINI		SHINI		SHINI		Stand	Stand	Stand	Totally	10
											SHINI		SHINI		SHINI		SHINI		Stand	Stand	Stand	Page	4
											SHINI		SHINI		SHINI		SHINI		Stand	Stand	Stand	Totally	10
											SHINI		SHINI		SHINI		SHINI		Stand	Stand	Stand	Page	4
											SHINI		SHINI		SHINI		SHINI		Stand	Stand	Stand	Totally	10
											SHINI		SHINI		SHINI		SHINI		Stand	Stand	Stand	Page	4
											SHINI		SHINI		SHINI		SHINI		Stand	Stand	Stand	Totally	10
											SHINI		SHINI		SHINI		SHINI		Stand	Stand	Stand	Page	4
											SHINI		SHINI		SHINI		SHINI		Stand	Stand	Stand	Totally	10
											SHINI		SHINI		SHINI		SHINI		Stand	Stand	Stand	Page	4
											SHINI		SHINI		SHINI		SHINI		Stand	Stand	Stand	Totally	10
											SHINI		SHINI		SHINI		SHINI		Stand	Stand	Stand	Page	4
											SHINI		SHINI		SHINI		SHINI		Stand	Stand	Stand	Totally	10
											SHINI		SHINI		SHINI		SHINI		Stand	Stand	Stand	Page	4
											SHINI		SHINI		SHINI		SHINI		Stand	Stand	Stand	Totally	10
											SHINI		SHINI		SHINI		SHINI		Stand	Stand	Stand	Page	4
											SHINI		SHINI		SHINI		SHINI		Stand	Stand	Stand	Totally	10
											SHINI		SHINI		SHINI		SHINI		Stand	Stand	Stand	Page	4
											SHINI		SHINI		SHINI		SHINI		Stand	Stand	Stand	Totally	10
											SHINI		SHINI		SHINI		SHINI		Stand	Stand	Stand	Page	4
											SHINI		SHINI		SHINI		SHINI		Stand	Stand	Stand	Totally	10
											SHINI		SHINI		SHINI		SHINI		Stand	Stand	Stand	Page	4
											SHINI		SHINI		SHINI		SHINI		Stand	Stand	Stand	Totally	10
											SHINI		SHINI		SHINI		SHINI		Stand	Stand	Stand	Page	4
											SHINI		SHINI		SHINI		SHINI		Stand	Stand	Stand	Totally	10
											SHINI		SHINI		SHINI		SHINI		Stand	Stand	Stand	Page	4
											SHINI		SHINI		SHINI		SHINI						



最初版本 Ver. C

Mark	Before modification	After modification	Modified by	Modify date	Checked by	20170817	Approved by	Version	0	Title	SCD-600U(750U)/400H-LC Electrical Diagram 5	Drawing No.	SCD-600U(750U)/400H-LC-CE-400V-0-5	Scale	CE	Page	5
														Standard	CE	Totally	10
																Voltage	400V
																Frequency	50HZ





X3

9	8	7
V+	V+	V+
V-	V-	V-

Connect to material level sensor 1
Connect to material level sensor 2
Connect to material level sensor 3

X2

3	20	21	22	26	19
2	2	2	2	2	2
PE	PE	PE	PE	PE	PE

Connect to shut off valve 2(option)
Connect to shut off valve 1
Connect to diaphragm valve 2(option)
Connect to diaphragm valve 2
Connect to diaphragm valve 1
Connect to honeycomb rotor motor

X1

25	24	23	22	21	20	19	18	17	16	15	14	13	12	11	10	9	8	7	6	5	4	3	2	1				
V+	E-	V-	14	33	32	2	2	33	35	U1	V1	W1	PE	U2	V2	PE	U3	V3	W3	PE	U5	V5	W5	PE	U6	V6	W6	PE

Connect to dew point transducer (option)
Connect to rotor micro switch
Connect to drying temp. protector
Connect to regen. temp. protector
Connect to drying blower
Connect to regeneration blower
Connect to suction motor
Connect to regeneration heater
Connect to drying heater
Connect to power lines

最初版本 Ver C

Title	SCD-600U(750U)/4.00H-LC		Drawing No.	SCD-600U(750U)/4.00H-LC-CE-4.00V-0-7		Scale	Standard	CE	Page	7
	Electrical Components Layout			Voltage		Frequency		Totally	Pages	10
Designer	Checked by	Approved by	Version	0	Drawn	SHINI		400V		
After modification	Modified by	Modify date	Date	20170817	SHINI		50HZ		8	

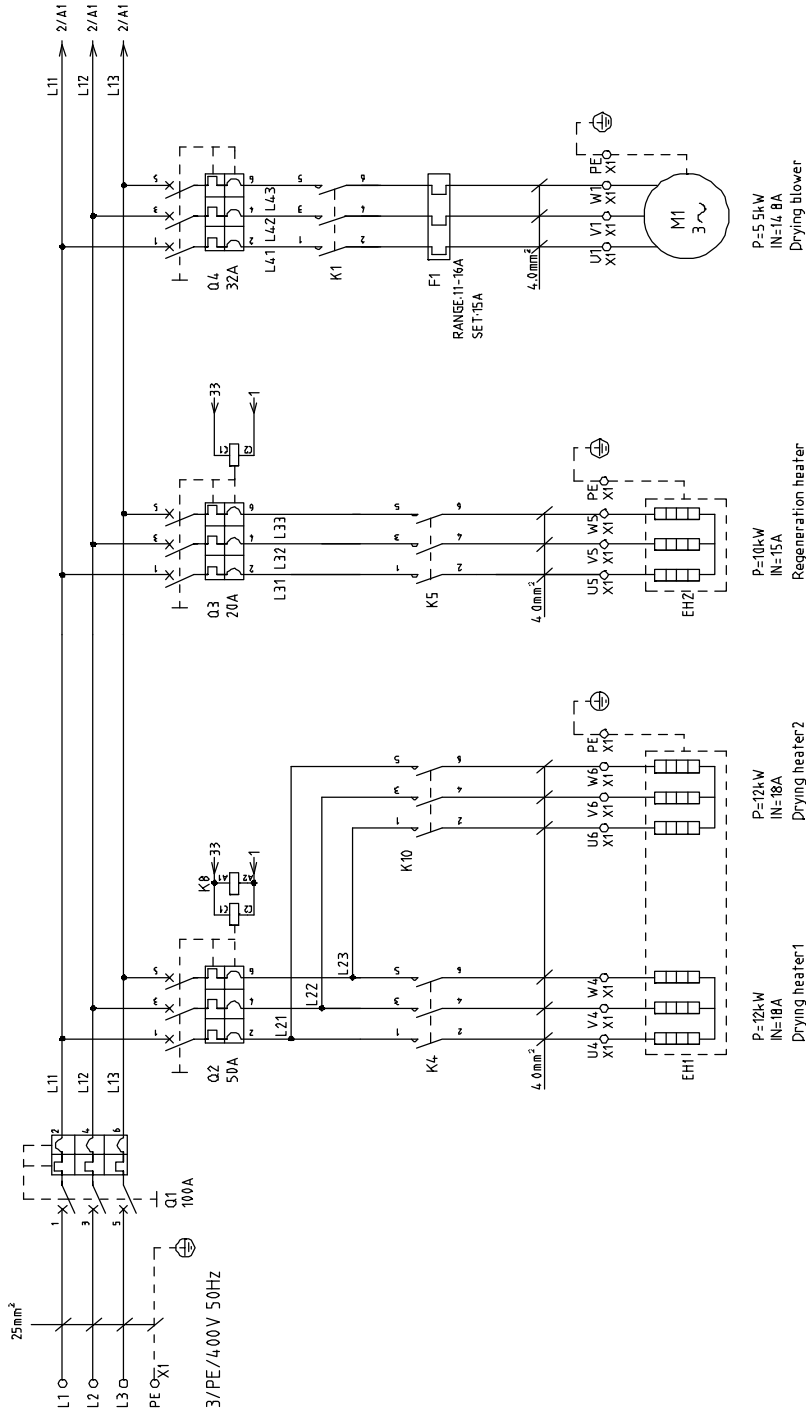


1	2	3	4	5	6	7	8	
NO	Symbol	Name	Manufacturer	Type	Specification	Number	Material number	Remark
1	Q1	Main switch	ABB	A1A125TME90	90A	1	YE4-1109200000	
2	Q2	Circuit-breaker	TECO	BM-63C 3P	40A	1	YE4-0304-003000	
3	Q3	Circuit-breaker	TECO	BM-63C 3P	16A	1	YE4-0301603000	A
4		Excitation release	CHINT	MX	220V 50/60Hz	2	YE4-0023560000	
5	Q4 Q5	Circuit-breaker	TECO	BM-63C 3P	20A	1	YE4-0302003000	
6	Q6	Circuit-breaker	TECO	BM-63C 3P	6A	1	YE4-0306030000	
7	Q6	Circuit-breaker	TECO	BM-63C 3P	10A	1	YE4-0301003000	
8	K1	Contact	SIEMENS	3RT6017-1AN21	12A 220V 50/60Hz	1	YE00601721000	
9	K2 K3	Contact	SIEMENS	3RT6016-1AN21	7A 220V 50/60Hz	2	YE00601621000	
10	K4	Contact	SIEMENS	3RT6028-1AN20	38A 220V 50/60Hz	1	YE00602822000	
11	K5	Contact	SIEMENS	3RT6025-1AN20	17A 220V 50/60Hz	1	YE00602522000	B
12	K6	Phase relay	CHAOSHI	ABJ-10W	400V 50/60Hz	1	YE03103800000	
13	K7 K8	Relay	WEIDMULLER	DRM270730LT	220V 50/60Hz	2	YE03270700000	
14	K11 K12	Relay	WEIDMULLER	DRM270724LT	24V DC	2	YE032724-000000	
15	F1	Overload relay	SIEMENS	3RU6116-1JB0	7-10A	1	YE01167100000	
16	F2	Overload relay	SIEMENS	3RU6116-1CB0	2.2-3.2A	1	YE01160220000	
17	F3	Overload relay	SIEMENS	3RU6116-1FB0	35-5A	1	YE01160280000	
18	A1	PLC	SIEMENS	CPU SR30 AC/DC/RLY	100-230VAC 50/60Hz	1	YE81003006000	
19	A2	PLC Analog module	SIEMENS	4-point filter module temp. module EM AI 12/A	--	1	YE821004-003000	C
20	A3	PLC Analog module	SIEMENS	4-point input analog quantity module EM AE04	--	1	YE821004-001000	(2)
21	A4	PLC Analog module	SIEMENS	Circuit board for signal expansion SB DT04	--	1	YE900004-013000	
22	A5	Human-machine interface	SCHNEIDER	GXU5512	24VDC	1	YE80351200200	
23	FU1	Fuse base	CHINT	RT28-32	2P	1	YE4-10322000000	
24		Fuse	CHINT	10x38 500V	2A	2	YE4-60020001000	
25	FU2	Fuse	YINDA	FS-10	2A	1	YE4-10010000000	
整机版本 Ver.C Notes: (1)Means it's not the material inside the control box (2)Stands for optional								
				Drawing NO.	Title SCD-600U(750U)/400H-LC Electrical Components List 1 SCD-600U(750U)/400H-LC-CE-4,00V-0-8			
				Scale	Standard CE Voltage 4,00V Frequency 50HZ			
				Version	0 Approved by Date 20170817			
				Designer				
				Proofread by				
				Checked by				
				Modified by				
				Modify date				
				After modification				
				Before modification				
				Page	8 Totaly 10			



信易理熱機城股份有限公司
Shini Plastics Technologies, Inc.

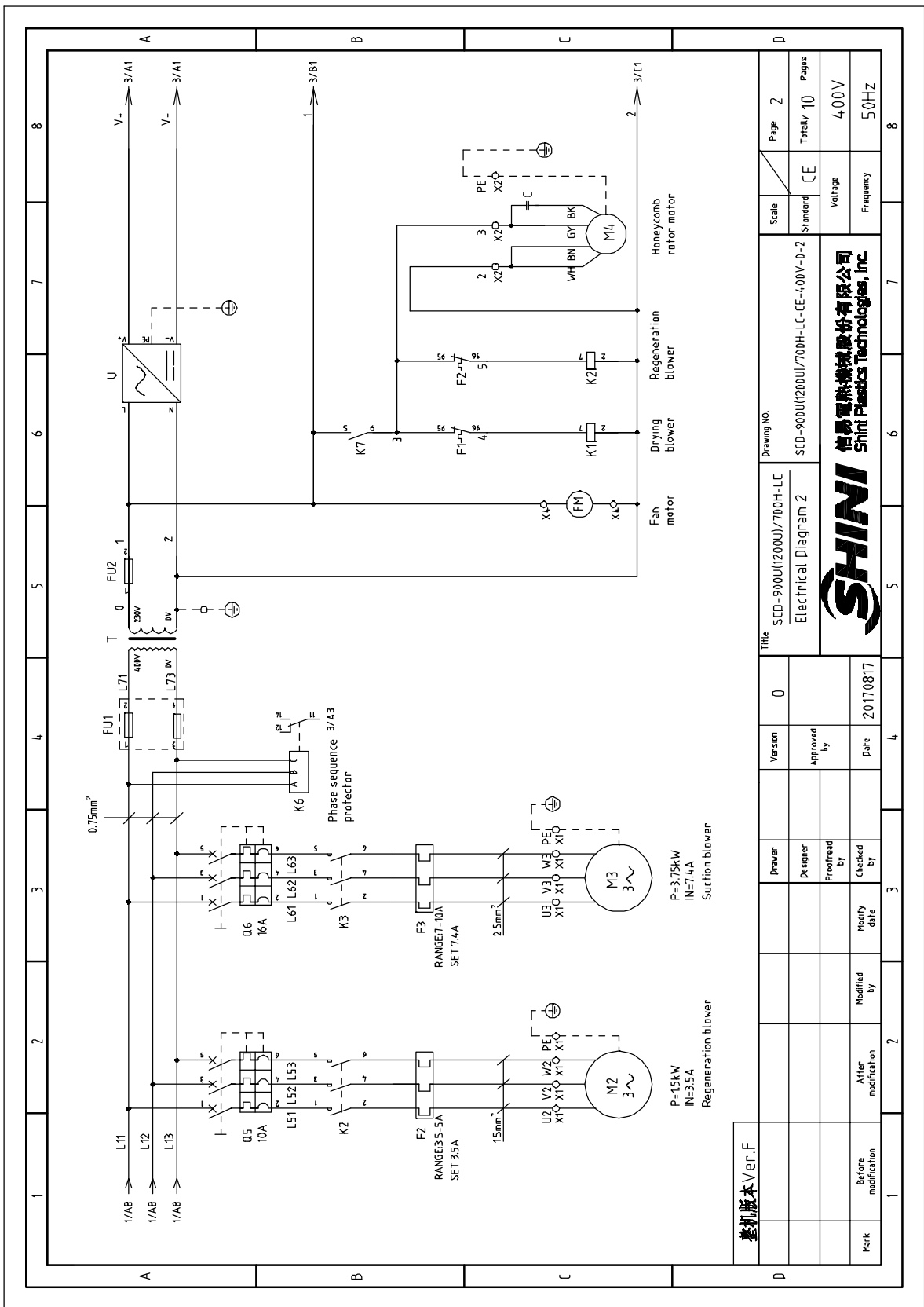
1	2	3	4	5	6	7	8		
NO	Symbol	Name	Manufacturer	Type	Specification	Number	Material number	Remark	
26	T	Transformer	--	--	IN=400V OUT=230V 800mA	1	YE704-02300900		
27	U	DC power	MEAN WELL	NES-35-24	OUT=DC24V 15A	1	YE71352400100		
28	S1	Reed switch	FOTEK	FC-12V	24VDC	1	-----	(1)	
29	S2 S3	Photoelectric switch	FOTEK	T18-3MNB-PE	24VDC	2	-----	(1)	
30	S4	Micro switch	TEND	LXW5-1HG1	250V 5(4)A	1	-----	(1)	
31	S5	Temperature protector	----	----	250V 5(4)A	1	-----	(1)	
32	S6	Temperature protector	----	----	250V 5(4)A	1	-----	(1)	
33	S7 S8 S9	Thermocouple	SHINI	ST-K	K	3	-----	(1)	
34	S10	Dew-point transducer	CS	CS 217-OEM	POWER=24VDC OUT=4-20mA	1	YE90021700100	(2)	
35	Y1-Y5	Solenoid valve	--	MSFW-230-50/60	220V 50/60Hz	5	-----	(1)	
36	H1	Buzzer	HITPOINT	PF-35A	60-250V	1	YEB4-003500200	(1)	
37	H2	Alarm indicator	SHINI	LED-30S1	220V 50/60Hz	1	YEB330S100200	(1)	
38	X1 X2 X4	Terminal board	--	16mm ² PE	-	1	YE60001603500		
39				6mm ²	57A 690V	3	YE60001603200		
40				6mm ² PE	-	1	YE60001603500		
41				4mm ²	41A 690V	12	YE60001403200		
42				4mm ² PE	-	4	YE60001403500		
43				2.5mm ²	32A 690V	20	YE60002503200		
44				2.5mm ² PE	-	5	YE60002503400		
45				2.5mm ²	32A 690V	6	YE60002503200	(2)	
46				2.5mm ² PE	-	2	YE60002503400	(2)	
47	X3	Terminal board	----	Terminal SK2.5-TL	10A 250V	3	YE60001500000		
48				FBS1B 10-ZDIK RD	10A 250V	3	YE60001000200		
49				FBS1B 10-ZDIK BU	10A 250V	3	YE60001000000		
50	X5 X6 X7	Heavy duty connector	WEIN	HDC-HA-004.1	4P 10A	3	YE6804-1000100	(1)	
整机版本 Ver.C									
Notes (1)Means it's not the material inside the control box (2)Stands for optional									
		Drawer	Version	Title		Drawing NO.		Scale	Page
		Designer	0	SCD-600U(750U)/400H-LC		SCD-600U(750U)/400H-LC-CE-400V-0-9		Standard	9
		Proofread by	Approved by	Electrical Components List 2				CE	Totally 10
		Checked by	Date					Voltage	Pages
		Modify date	20170817					Frequency	400V
		Modified by							50HZ
		After modification							
		Before modification							
SHINI 信易理熱機城股份有限公司 Shini Plastics Technologies, Inc.									
									8



整机版本 Ver.F

Mark	Before modification	Modified by	20170817	Version	0	Drawing No.	SCD-900U1200U/700H-LC	Scale	CE	Page 1
Checked by		Approved by				Electrical Diagram 1	SCD-900U1200U/700H-LC-4.00V-D-1	Standar	CE	Totally 10 Pages
Checked by		Approved by								4.00V
Checked by		Approved by								50HZ

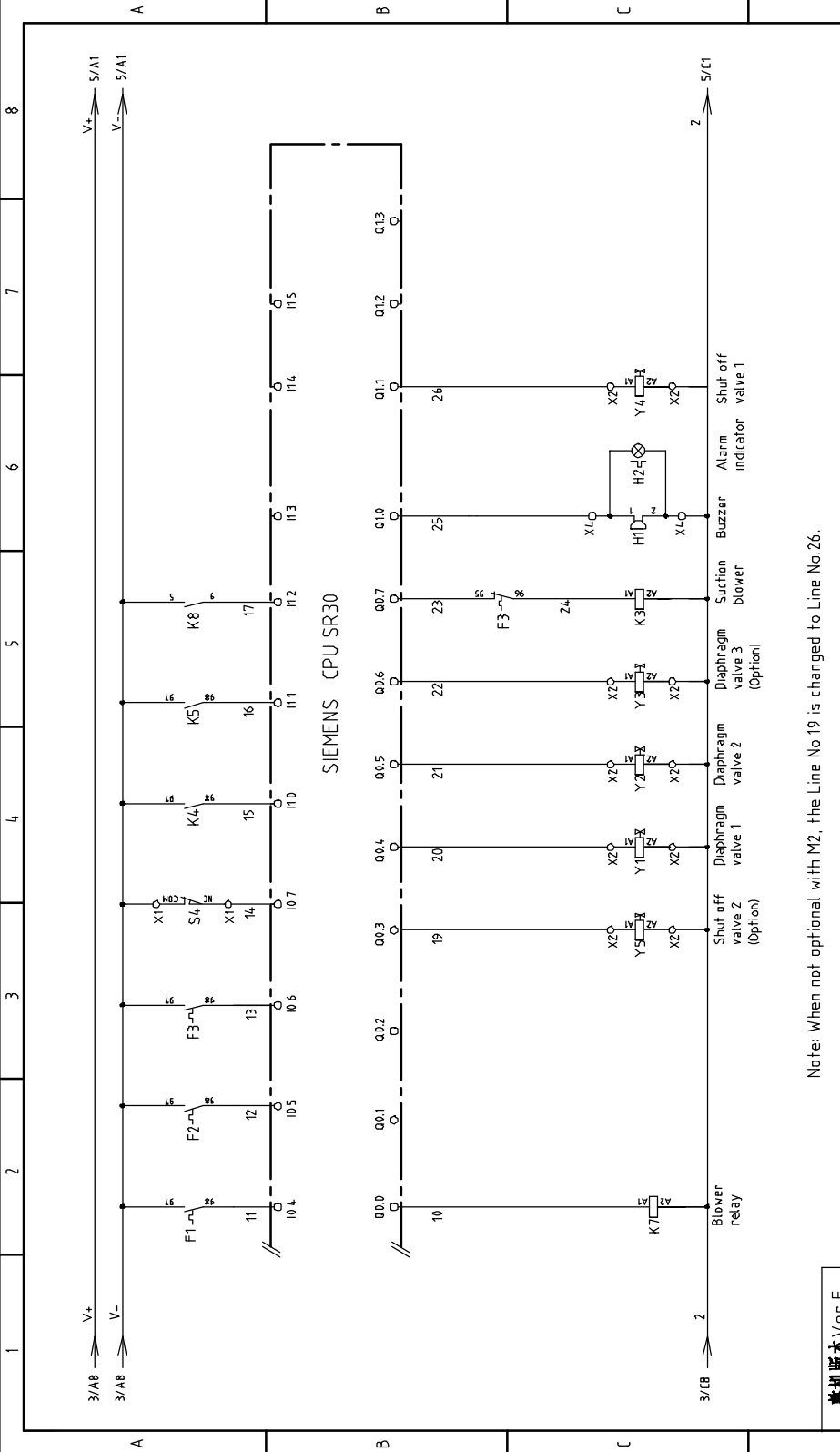




最初版本 Ver. F

Mark	Before modification	After modification	Modified by	Moify date	Checked by	Date	20170817
Designer							
Drawer							
Version	0	Approved by					
Title		Drawing NO.		Scale		Page	
SCD-900U(200U)/700H-LC		SCD-900U(200U)/700H-LC-CE-400V-0-2		Standard		Totally 10	
Electrical Diagram 2				CE		Voltage	
						400V	
						Frequency	
						50HZ	

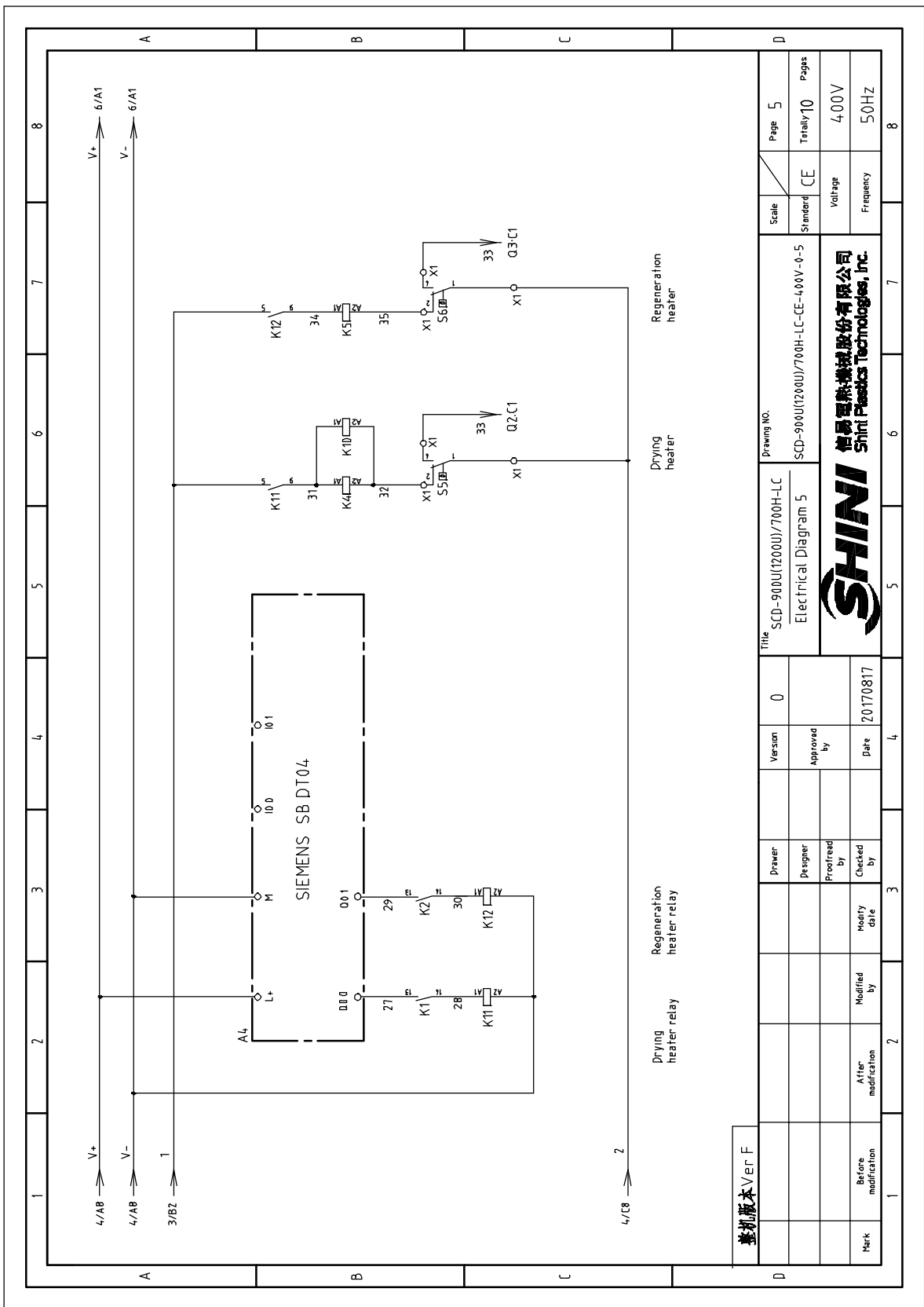




Note: When not optional with M2, the Line No.19 is changed to Line No.26.

1 2 3 4 5 6 7 8	1 2 3 4 5 6 7 8	1 2 3 4 5 6 7 8	1 2 3 4 5 6 7 8	1 2 3 4 5 6 7 8	1 2 3 4 5 6 7 8
修改版本 Ver.F		Drawing No. SCD-900U(1200U)/700H-LC-CE-400V-0-4		Page 4 Totaly 10 Pages	
Title SCD-900U(1200U)/700H-LC Electrical Diagram 4		Scale Standard		Voltage 400V	
Designer Designer		Version 0		Frequency 50HZ	
Prepared by Prepared by		Approved by Approved by		Date 20170817	
Checked by Checked by		Modify date Modify date		After modification After modification	
Mark Mark		Before modification Before modification		Before modification Before modification	

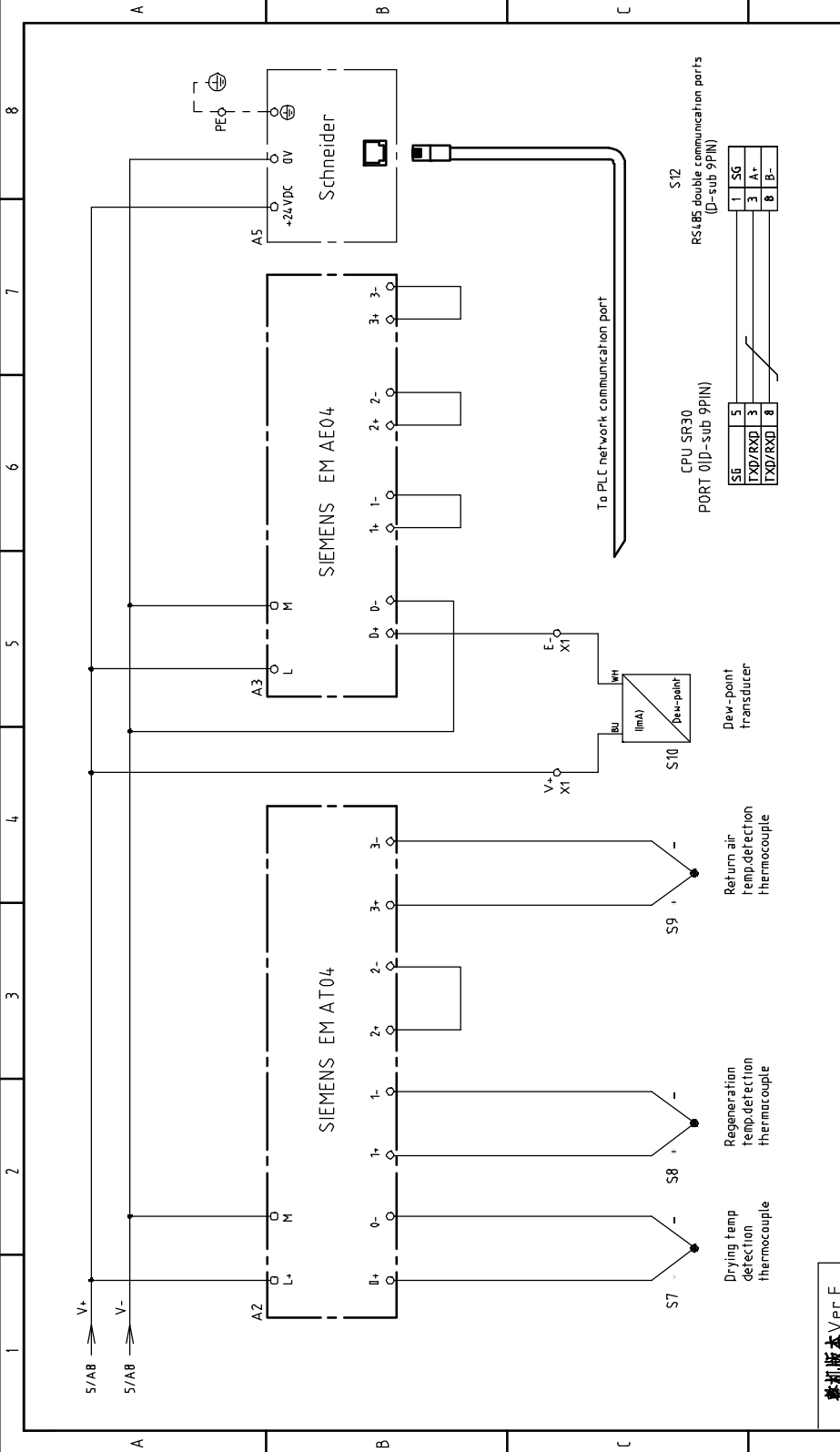




基机版本 Ver F

Mark	Before modification	After modification	Modified by	Modify date	Checked by	Designer	Drawer	Version	0	Title	SCD-900U(1200U)/700H-LC Electrical Diagram 5	Drawing No.	SCD-900U(1200U)/700H-LC-CE-4,00V-0-5	Scale	Standard	CE	Page	5
				20170817				Approved by									Totally	10
								Date									Voltage	4,00V
																	Frequency	50HZ





Title		Drawing No.		Scale	Page
SCD-900U(1200U)/700H-LC		SCD-900U(1200U)/700H-LC-CE-400V-0-6		Standard	6
Electrical Diagram 6		CE		Totally	10
Version		Approved by		Voltage	400V
0				Frequency	50HZ
Designer	Prepared by	Checked by		Mark	
				Before modification	
		Modify date		After modification	
		20170817			



CPU SR30
PORT 0(D-sub 9PIN)

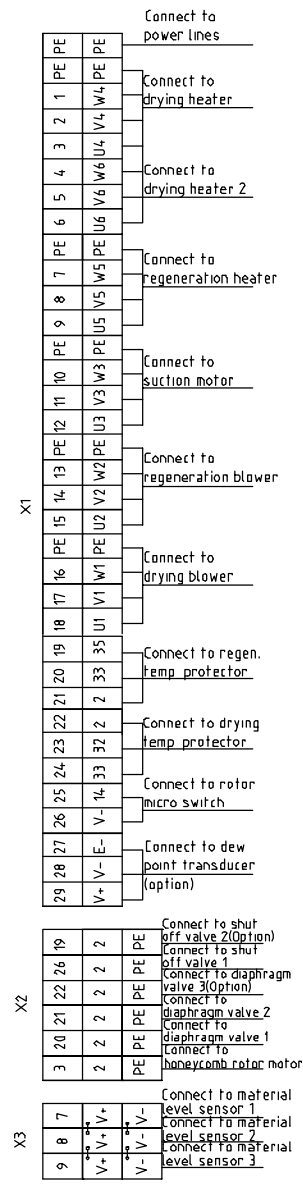
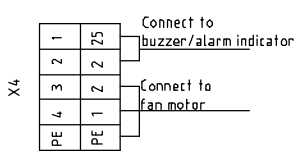
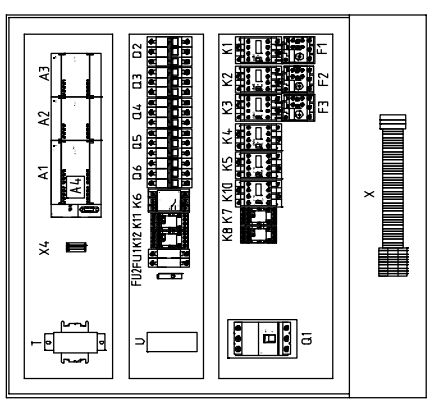
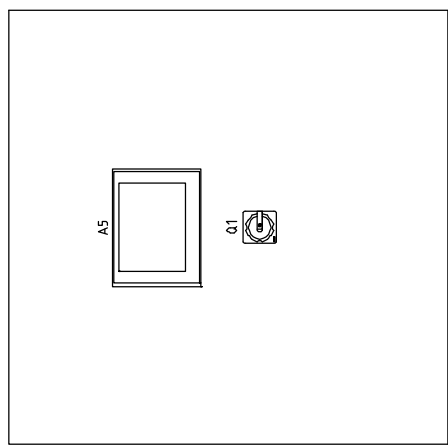
S6	5	1	SG
TXD/RXD	3	3	A+
TXD/RXD	8	8	B-

S12
RS485 double communication ports
(D-sub 9PIN)

整机版本 Ver.F

1 2 3 4 5 6 7 8

A B C D



整机版本 Ver.F

Drawer	0	Title	SCD-900U(2000)/700H-LC		Scale	Standard	Page	7
Designer		Version	Electrical Components Layout		Standard	CE	Totally	10
Checked by	20170817	Approved by			Standard	CE	Voltage	400V
Modified by		Date			Standard	CE	Frequency	50HZ
Modify date					Standard	CE		
After modification					Standard	CE		
Before modification					Standard	CE		



1	2	3	4	5	6	7	8		
NO	Symbol	Name	Manufacturer	Type	Specification	Number	Material number	Remark	
1	Q1	Main switch	ABB	A1A125TME100	100A	1	YE4-1110200000		
2	Q2	Circuit-breaker	TECO	BM-63C 3P	50A	1	YE4-0305003000		
3	Q3	Circuit-breaker	TECO	BM-63C 3P	20A	1	YE4-0302003000	A	
4		Excitation release	CHINT	MX	220V 50/60Hz	2	YE4-0023560000		
5	Q4	Circuit-breaker	TECO	BM-63C 3P	32A	1	YE4-0303030000		
6	Q5	Circuit-breaker	TECO	BM-63C 3P	10A	1	YE4-0301003000		
7	Q6	Circuit-breaker	TECO	BM-63C 3P	16A	1	YE4-0301603000		
8	K1	Contact	SIEMENS	3RT6025-1ANZ0	17A 220V 50/60Hz	1	YE00602522000		
9	K2 K3	Contact	SIEMENS	3RT6016-1ANZ1	9A 220V 50/60Hz	2	YE00601521000		
10	K4 K10	Contact	SIEMENS	3RT6027-1ANZ0	32A 220V 50/60Hz	2	YE00602722000		
11	K5	Contact	SIEMENS	3RT6026-1ANZ0	25A 220V 50/60Hz	1	YE00602622000	B	
12	K6	Phase relay	CHAOSHI	ABJ-10W	400V 50/60Hz	1	YE03103800000		
13	K7 K8	Relay	WEIDMULLER	DRM270730LT	220V 50/60Hz	2	YE03270700000		
14	K11 K12	Relay	WEIDMULLER	DRM270724LT	24V DC	2	YE032724-000000		
15	F1	Overload relay	SIEMENS	3RU6126-4AB0	11-16A	1	YE01260110000		
16	F2	Overload relay	SIEMENS	3RU6116-1FB0	3.5-5A	1	YE01160350000		
17	F3	Overload relay	SIEMENS	3RU6116-1GB0	7-10A	1	YE01167100000		
18	A1	PLC	SIEMENS	CPU SR30 AC/DC/RLY	100-230VAC 50/60Hz	1	YE8100306000		
19	A2	PLC Analog module	SIEMENS	4-point thermocouple temp module EM AI04	--	1	YE821004-00300	C	
20	A3	PLC Analog module	SIEMENS	4-point input analog quantity module EM AE04	--	1	YE821004-00100	(2)	
21	A4	PLC Analog module	SIEMENS	Circuit board for signal expansion SB DT04	--	1	YE900004-01300		
22	A5	Human-machine interface	SCHNEIDER	GXU5512	24VDC	1	YE80351200200		
23	FU1	Fuse base	CHINT	RT1B-32	2P	1	YE4-10322000000		
24		Fuse	CHINT	10x38 500V	2A	2	YE4-6002000100		
25	FU2	Fuse	YINDA	FS-10	2A	1	YE4-10010000000		
整机版本 Ver.F Notes: 1) Means it's not the material inside the control box. 2) Stands for optional.									
			Drawer	Version	Drawing NO.			Scale	Page
			Designer	0	Title SCD-900U(1200U)/700H-LC			Standard	8
			Proofread by	Approved by	Electrical Components List 1			CE	Totally 10
			Checked by	Date	SCD-900U1200U/700H-LC-CE-400V-0-8			Voltage	400V
			Modify date	20170817				Frequency	50HZ
Mark	Before modification	After modification	Modified by						8



1	2	3	4	5	6	7	8	
NO	Symbol	Name	Manufacturer	Type	Specification	Number	Material number	Remark
26	T	Transformer	--	--	IN=400V OUT=230V 800mA	1	YE704-02300900	
27	U	DC power	MEAN WELL	NES-35-24	OUT=DC24V 15A	1	YE71352400100	
28	S1	Reed switch	FOTEK	FC-12V	24VDC	1	-----	(1)
29	S2 S3	Photoelectric switch	FOTEK	T18-3MMB-PE	24VDC	2	-----	(1)
30	S4	Micro switch	TEND	LXW5-11G1	250V 5(4)A	1	-----	(1)
31	S5	Temperature protector	----	----	250V 5(4)A	1	-----	(1)
32	S6	Temperature protector	----	----	250V 5(4)A	1	-----	(1)
33	S7 S8 S9	Thermocouple	SHINI	ST-K	K	3	-----	(1)
34	S10	Dew-point transducer	CS	CS 217-OEM	POWER=24VDC OUT=4-20mA	1	YE90021700100	(2)
35	Y1-Y5	Solenoid valve	--	MSFW-230-50/60	220V 50/60Hz	5	-----	(1)
36	H1	Buzzer	HITPOINT	PF-35A	60-250V	1	YEB4-003500200	(1)
37	H2	Alarm indicator	SHINI	LED-30S1	220V 50/60Hz	1	YEB330S100200	(1)
38	X1 X2 X4	Terminal board	--	35mm ² PE	-	1	YE60003503500	
39				4mm ²	41A 690V	12	YE6104-00000000	
40				4mm ² PE	-	4	YE6104-3500000	
41				2.5mm ²	32A 690V	26	YE61250040000	
42				2.5mm ² PE	-	5	YE61253500000	
43				2.5mm ²	32A 690V	5	YE60002503200	(2)
44				2.5mm ² PE	-	2	YE60002503400	(2)
45	X3	Terminal board	----	Terminal SK2.5-TL	10A 250V	3	YE60001500000	
46				FBS1B 10-ZDIK RD	10A 250V	3	YE60001000200	
47				FBS1B 10-ZDIK BU	10A 250V	3	YE60001000000	
48	X5 X6 X7	Heavy duty connector	WEIN	HDC-HA-004.1	4P 10A	3	YE6804-1000100	(1)
49	FM	Fan	SUNON	DP-200A	230V AC 4.0W	1	YM60121200400	(1)
50	S10	Communication interface board (double Dsub-9pin connector)	----	----	----	1	YE9004-8501200	(1)

Notes: (1)Means it's not the material inside the control box. (2)Stands for optional.

Title		Drawing NO.	
SCD-900U(1200U)/700H-LC		SCD-900U(1200U)/700H-LC-CE-400V-0-9	
Electrical Components List 2		Standard	
Scale		CE	
Page 9		Voltage	
Totally 10		Frequency	
Pages		400V	
		50HZ	



1	2	3	4	5	6	7	8	
No	Symbol	Name	Manufacturer	Type	Specification	Number	Material number	Remark
51		Shell RS4.85(SAL-700G-A-19)0	----	----	----	1	YR4.0048500000	(1)
52	M1	Blower	SHINI	-----	400V 5.5kW	1	-----	(1)
53	M2	Blower	SHINI	-----	400V 1.5kW	1	-----	(1)
54	M3	Blower	SHINI	-----	400V 3.75kW	1	-----	(1)
55	M4	Motor	----	-----	230V 0.015kW	1	-----	(1)
56	EH1	Heater	SHINI	-----	400V 24kW	1	-----	(1)
57	EH2	Heater	SHINI	-----	400V 10kW	1	-----	(1)
A								
B								
C								
D								
差机版本 Ver.F Notes (1)Means it's not the material inside the control box (2)Stands for optional			Drawing NO. SCD-900U(1200U)/700H-LC		Title SCD-900U(1200U)/700H-LC Electrical Components List 3		Scale Standard	Page 10
Mark Before modification			Designer Proofread by	Version 0	Approved by	Date 20170817	Voltage 400V	Frequency 50HZ
After modification			Modified by	Modify date	Checked by	CE	Voltage Frequency	Page 10 Totally 10
1	2	3	4	5	6	7	8	

