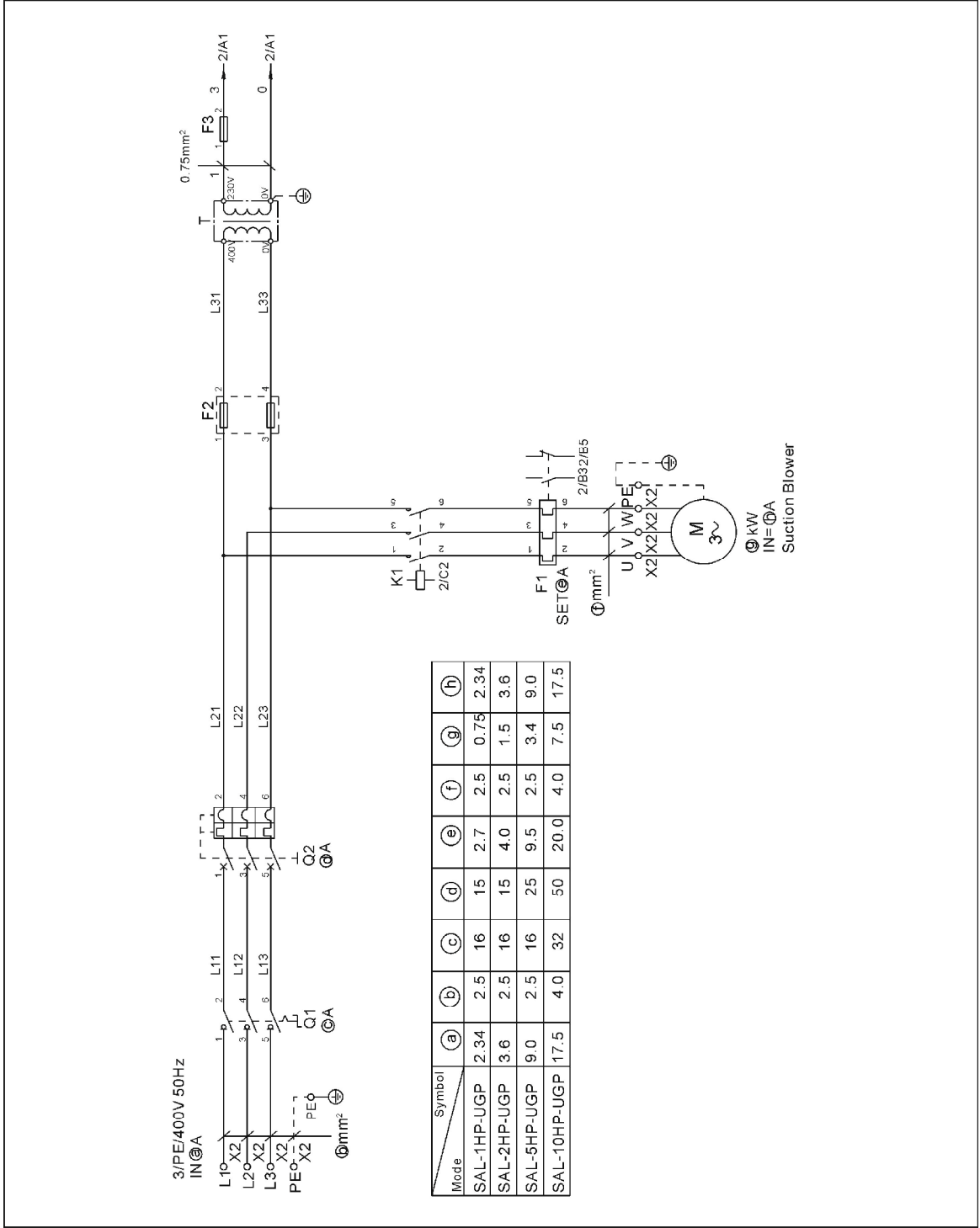
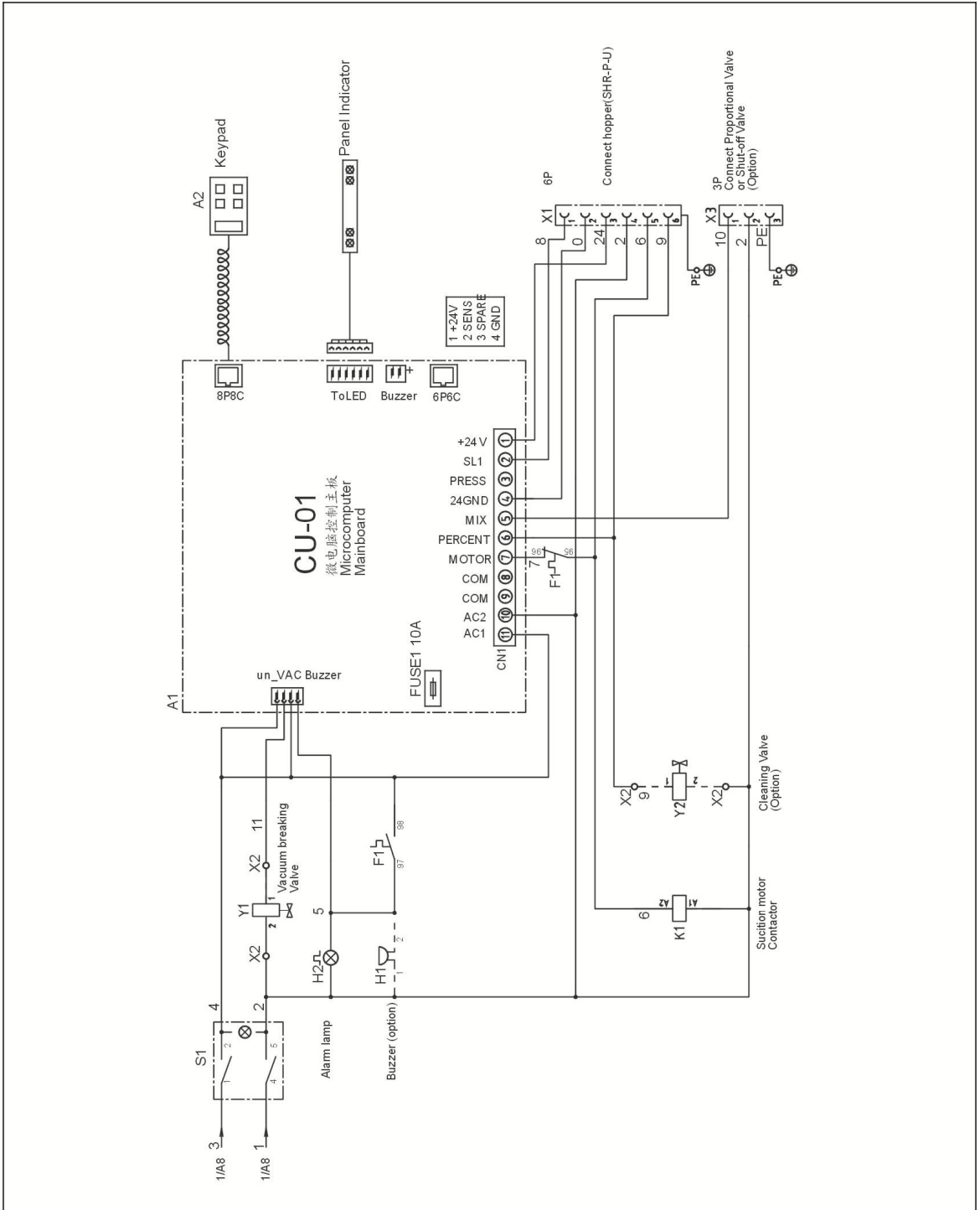


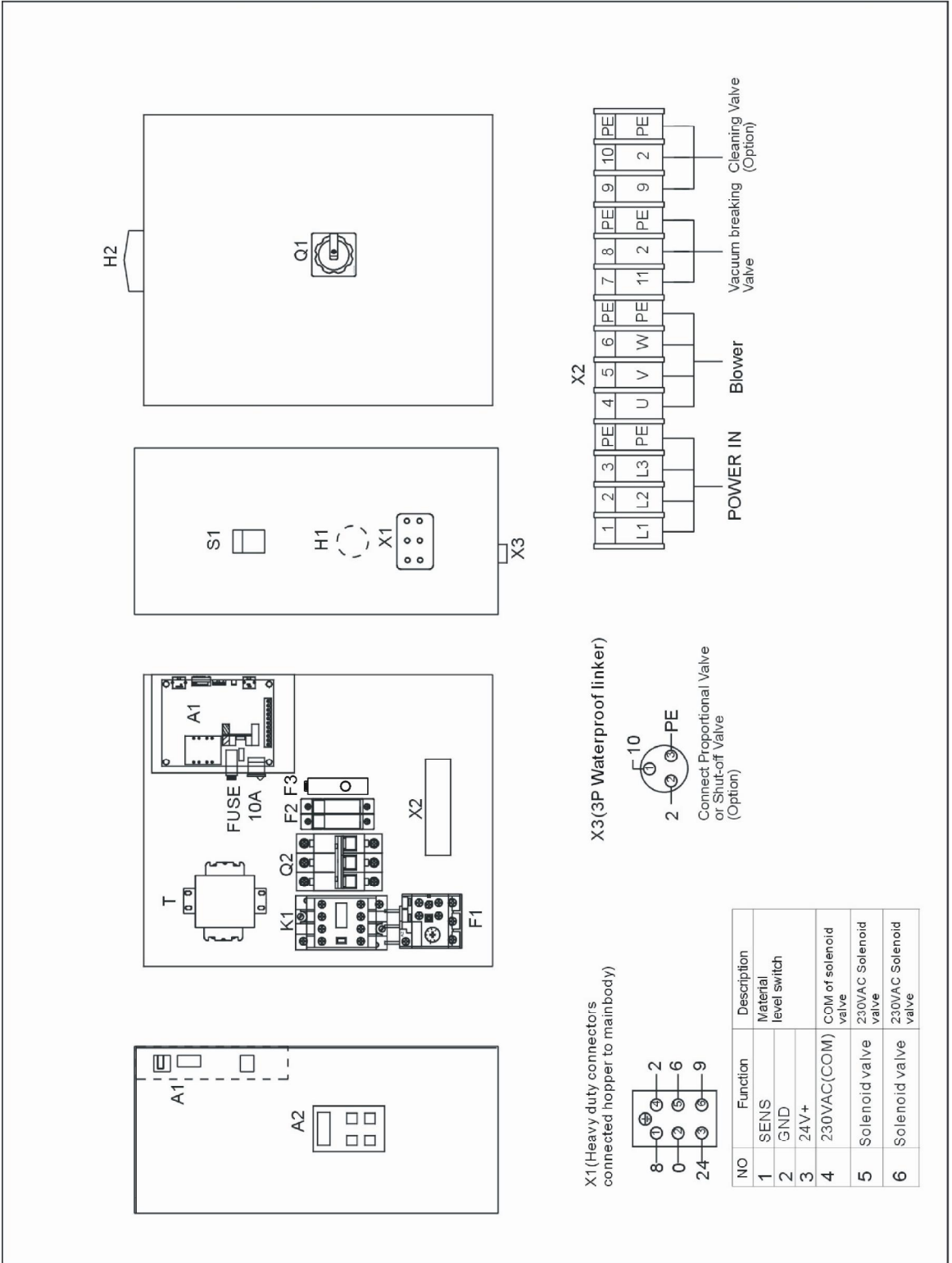
1. Main Circuit 1 (400V)



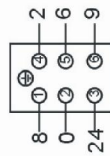
2. Main Circuit 2 (400V)



3. Electrical Components Layout (400V)

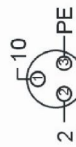


X1(Heavy duty connectors connected hopper to mainbody)

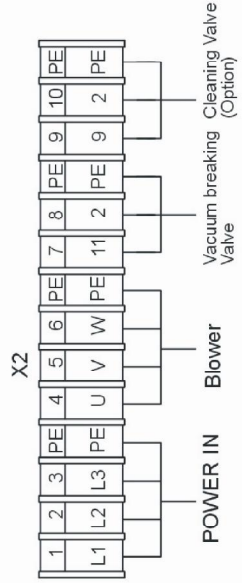


NO	Function	Description
1	SENS	Material level switch
2	GND	
3	24V+	
4	230VAC(COM)	COM of solenoid valve
5	Solenoid valve	230VAC Solenoid valve
6	Solenoid valve	230VAC Solenoid valve

X3(3P Waterproof linker)



Connect Proportional Valve or Shut-off Valve (Option)



4. Electrical Components List (400V)

NO.	Symbol	Name	SAL-1HP-UGP	
			Specification	Part NO.
1	Q1	Main switch*	16A	YE10200300000
2	Q2	Circuit breakers*	15A	YE40601500000
3	K1	Contactors**	230V 50/60Hz	YE00300000000
4	T	Transformer**	350mA	YE70350400000
5	F1	Overload relays	2~3.2A	YE01023200000
6	F2	Fuse box**	500V 32A	YE41032200000
7	-	Fuse**	500V 2A 10×38	YE46002000100
8	F3	Fuse box**	250V 2A	YE41001000000
9	S1	Control switch	4P (WH)	YE10210400000
10	H1	Buzzer	60-250VAC 50/60Hz	YE84003500000
11	H2	Alarm lamp	230VAC 50/60Hz	YE83305100200
12	A1	Microcomputer mainboard**	230VAC 50/60Hz	-
13	A2	Keypad**	-	-
14	X1	Heavy duty connectors	16A 400V	YE68061640100
15	X2	Terminal board	2.5mm ²	YE61250040000
16	-	Terminal board	2.5mm ² PE	YE61253500000
17	-	Terminal board	2.5mm ²	YE61250040000
18	-	Terminal board	2.5mm ² PE	YE61253500000
19	X3	Waterproof linker	250V 3P	YE62163000100
20	M	Blower**	1HP	-
21	Y1	Solenoid vavle*	230V 50/60Hz	YE32051800300
22	Y2	Solenoid vavle*	230V 50/60Hz	YE32212000000

* means possible broken parts.

** means easy broken part. and spare backup is suggested.

Please confirm the version of manual before placing the purchase order to guarantee that the item number of the spare part is in accordance with the real object.

NO.	Symbol	Name	SAL-2HP-UGP	
			Specification	Part NO.
1	Q1	Main switch*	16A	YE10200300000
2	Q2	Circuit breakers*	15A	YE40601500000
3	K1	Contactors**	230V 50/60Hz	YE00300000000
4	T	Transformer**	350mA	YE70350400000
5	F1	Overload relays	3.2~5A	YE01032500000
6	F2	Fuse box**	500V 32A	YE41032200000
7	-	Fuse**	500V 2A 10×38	YE46002000100
8	F3	Fuse box**	250V 2A	YE41001000000
9	S1	Control switch	4P (WH)	YE10210400000
10	H1	Buzzer	60-250VAC 50/60Hz	YE84003500000
11	H2	Alarm lamp	230VAC 50/60Hz	YE83305100200
12	A1	Microcomputer mainboard**	230VAC 50/60Hz	-
13	A2	Keypad**	-	-
14	X1	Heavy duty connectors	16A 400V	YE68061640100
15	X2	Terminal board	2.5mm ²	YE61250040000
16	-	Terminal board	2.5mm ² PE	YE61253500000
17	-	Terminal board	2.5mm ²	YE61250040000
18	-	Terminal board	2.5mm ² PE	YE61253500000
19	X3	Waterproof linker	250V 3P	YE62163000100
20	M	Blower**	2HP	-
21	Y1	Solenoid vavle*	230V 50/60Hz	YE32051800300
22	Y2	Solenoid vavle*	230V 50/60Hz	YE32212000000

* means possible broken parts.

** means easy broken part. and spare backup is suggested.

Please confirm the version of manual before placing the purchase order to guarantee that the item number of the spare part is in accordance with the real object.

NO.	Symbol	Name	SAL-5HP-UGP	
			Specification	Part NO.
1	Q1	Main switch*	16A	YE10200300000
2	Q2	Circuit breakers*	25A	YE40602500000
3	K1	Contactors**	230V 50/60Hz	YE00310000000
4	T	Transformer**	350mA	YE70350400000
5	F1	Overload relays	6.3~10A	YE01631000000
6	F2	Fuse box**	500V 32A	YE41032200000
7	-	Fuse**	500V 2A 10×38	YE46002000100
8	F3	Fuse box**	250V 2A	YE41001000000
9	S1	Control switch	4P (WH)	YE10210400000
10	H1	Buzzer	60-250VAC 50/60Hz	YE84003500000
11	H2	Alarm lamp	230VAC 50/60Hz	YE83305100200
12	A1	Microcomputer mainboard**	230VAC 50/60Hz	-
13	A2	Keypad**	-	-
14	X1	Heavy duty connectors	16A 400V	YE68061640100
15	X2	Terminal board	2.5mm ²	YE61250040000
16	-	Terminal board	2.5mm ² PE	YE61253500000
17	-	Terminal board	2.5mm ²	YE61250040000
18	-	Terminal board	2.5mm ² PE	YE61253500000
19	X3	Waterproof linker	250V 3P	YE62163000100
20	M	Blower**	5HP	-
21	Y1	Solenoid vavle*	230V 50/60Hz	YE32051800300
22	Y2	Solenoid vavle*	230V 50/60Hz	YE32212000000

* means possible broken parts.

** means easy broken part. and spare backup is suggested.

Please confirm the version of manual before placing the purchase order to guarantee that the item number of the spare part is in accordance with the real object.

NO.	Symbol	Name	SAL-10HP-UGP	
			Specification	Part NO.
1	Q1	Main switch*	32A	YE10220300000
2	Q2	Circuit breakers*	50A	YE40605000000
3	K1	Contactors**	230V 50/60Hz	YE00330000000
4	T	Transformer**	350mA	YE70350400000
5	F1	Overload relays	12.5~20A	YE01125200100
6	F2	Fuse box**	500V 32A	YE41032200000
7	-	Fuse**	500V 2A 10×38	YE46002000100
8	F3	Fuse box**	250V 2A	YE41001000000
9	S1	Control switch	4P (WH)	YE10210400000
10	H1	Buzzer	60-250VAC 50/60Hz	YE84003500000
11	H2	Alarm lamp	230VAC 50/60Hz	YE83305100200
12	A1	Microcomputer mainboard**	230VAC 50/60Hz	-
13	A2	Keypad**	-	-
14	X1	Heavy duty connectors	16A 400V	YE68061640100
15	X2	Terminal board	2.5mm ²	YE61250040000
16	-	Terminal board	2.5mm ² PE	YE61253500000
17	-	Terminal board	2.5mm ²	YE61250040000
18	-	Terminal board	2.5mm ² PE	YE61253500000
19	X3	Waterproof linker	250V 3P	YE62163000100
20	M	Blower**	10HP	-
21	Y1	Solenoid vavle*	230V 50/60Hz	YE32051800300
22	Y2	Solenoid vavle*	230V 50/60Hz	YE32212000000

* means possible broken parts.

** means easy broken part. and spare backup is suggested.

Please confirm the version of manual before placing the purchase order to guarantee that the item number of the spare part is in accordance with the real object.