

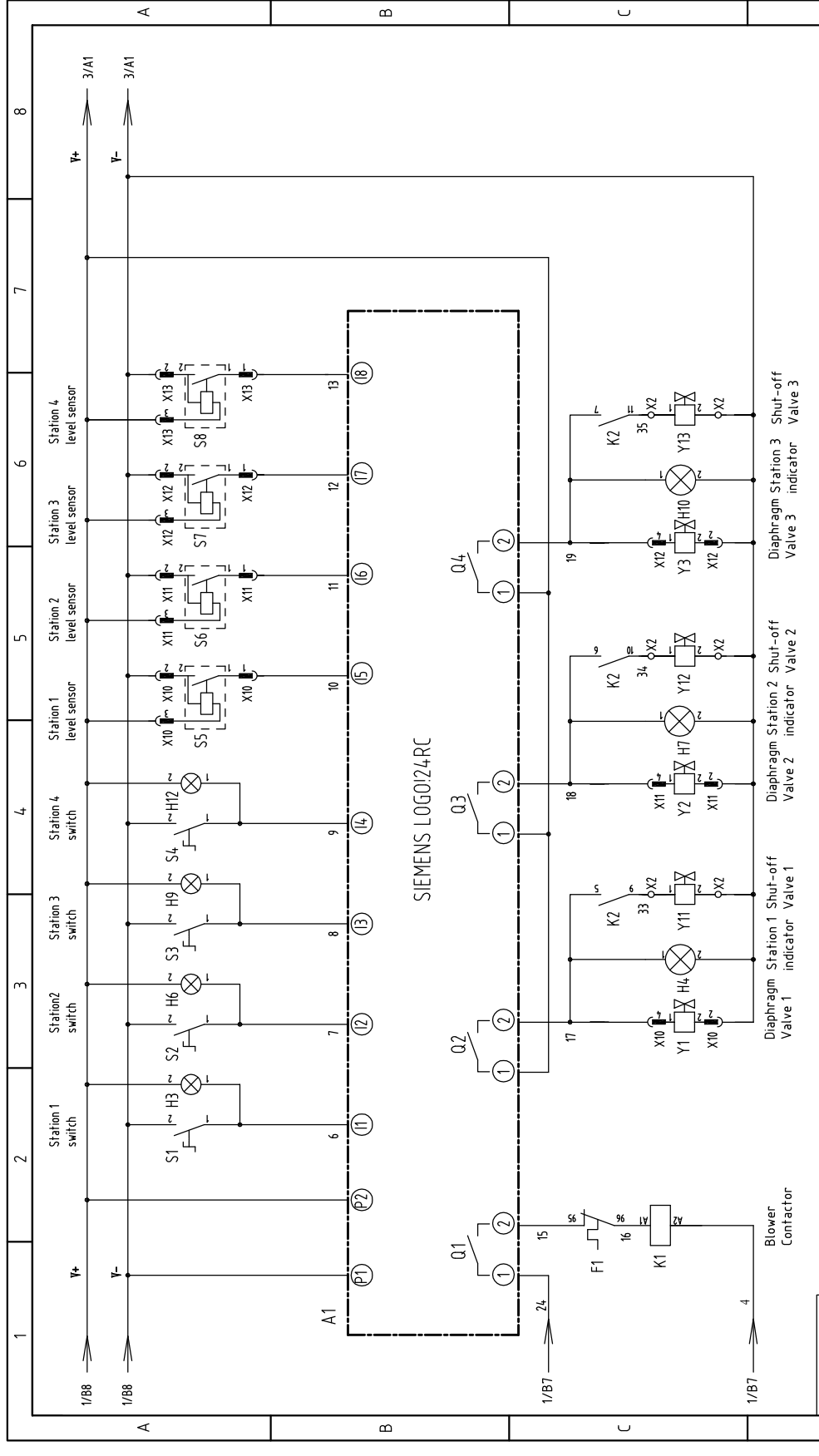
Mode	(a)	(b)	(c)	(d)	(e)	(f)	(g)	(h)	Ver.
SAL-2HP-UG124	3.6	2.5	1.6	1.0	3.6	2.5	1.5	3.6	Ver.C


⑨ KW
IN=ⓐA
Suction blower

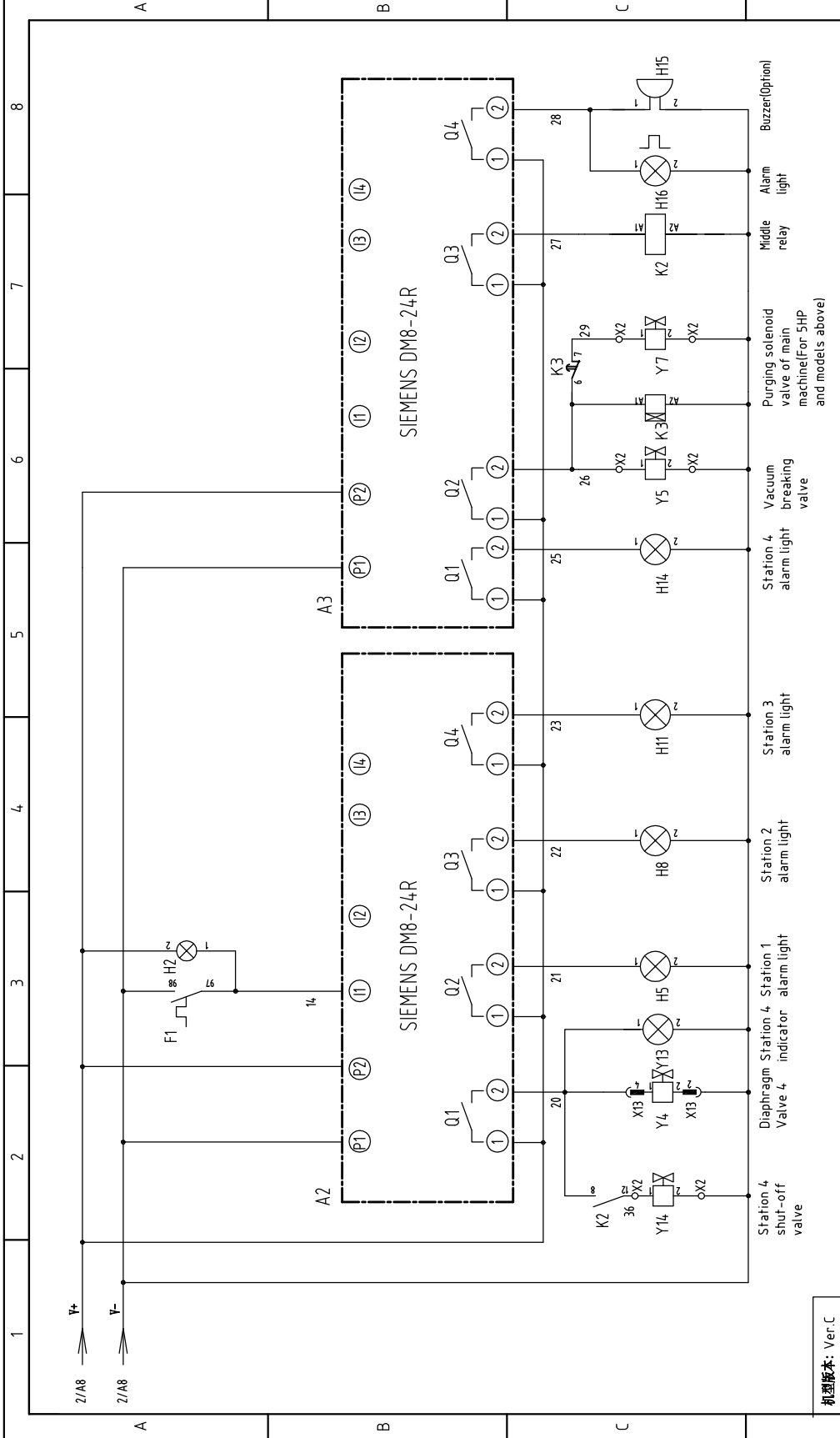
机型版本: Ver.C

Title		Drawing No.		Scale		Page	
SAL-2HP-UG124		SAL-2HP-UG124-CE-400V-F-1		CE		1	
Main Circuit Diagram				Standard		Totally 6	
				Voltage		400V	
				Frequency		50Hz	
Version	Approved by	Date	20160531	Designer	Proof/read by	Checked by	Modify date
Before modification	After modification	Modified by					
1	2	3	4	5	6	7	8

SHINI
信易塑料机械股份有限公司
Shini Plastics Technologies, Inc.



机型号本：Ver.C		Title		Drawing No.		Scale		Page	
		F		SAL-2HP-UG124		Standard		CE	
		Version		Control Circuit Diagram 1		Total		6	
		Approved by		SAL-2HP-UG124-CE-400V-F-2		Total up		400V	
		Date		 信易臺熱機械股份有限公司 Shini Plastics Technologies, Inc.		Frequency		50Hz	
		20160531				Page		8	
1		2		3		4		5	
6		7		8		9		10	



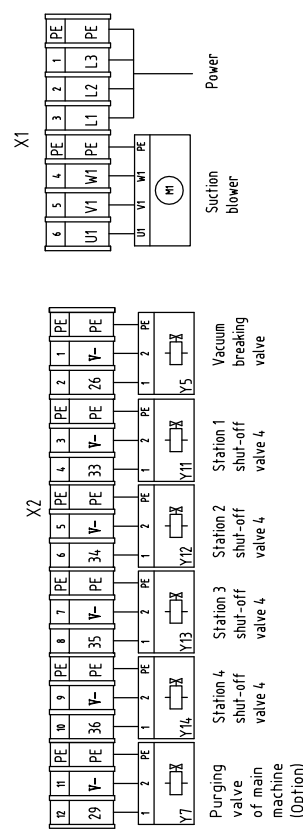
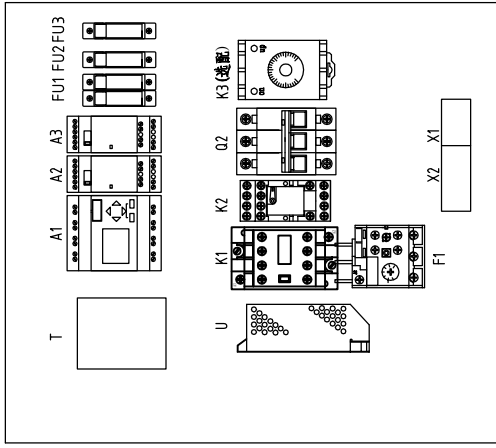
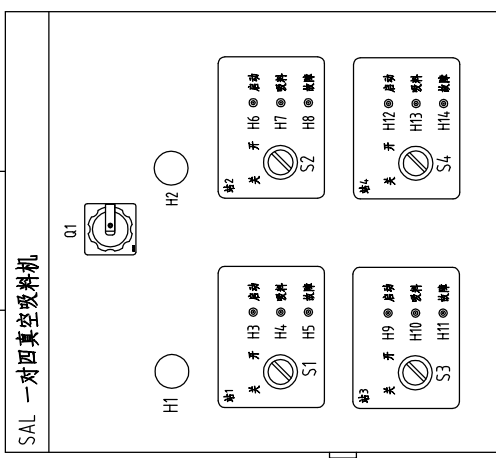
机型版本: Ver.C

Title		Drawing No.		Scale		Page	
SAL-2HP-UG124		SAL-2HP-UG124-CE-400V-F-3		Standard		CE	
Control Circuit Diagram 2				Total		6	
				Totals		400V	
				Frequency		50Hz	

Version	Designer	Proofread by	Checked by	Date
F				20160531

Work	Before modification	After modification	Modify date





机型版本: Ver.C

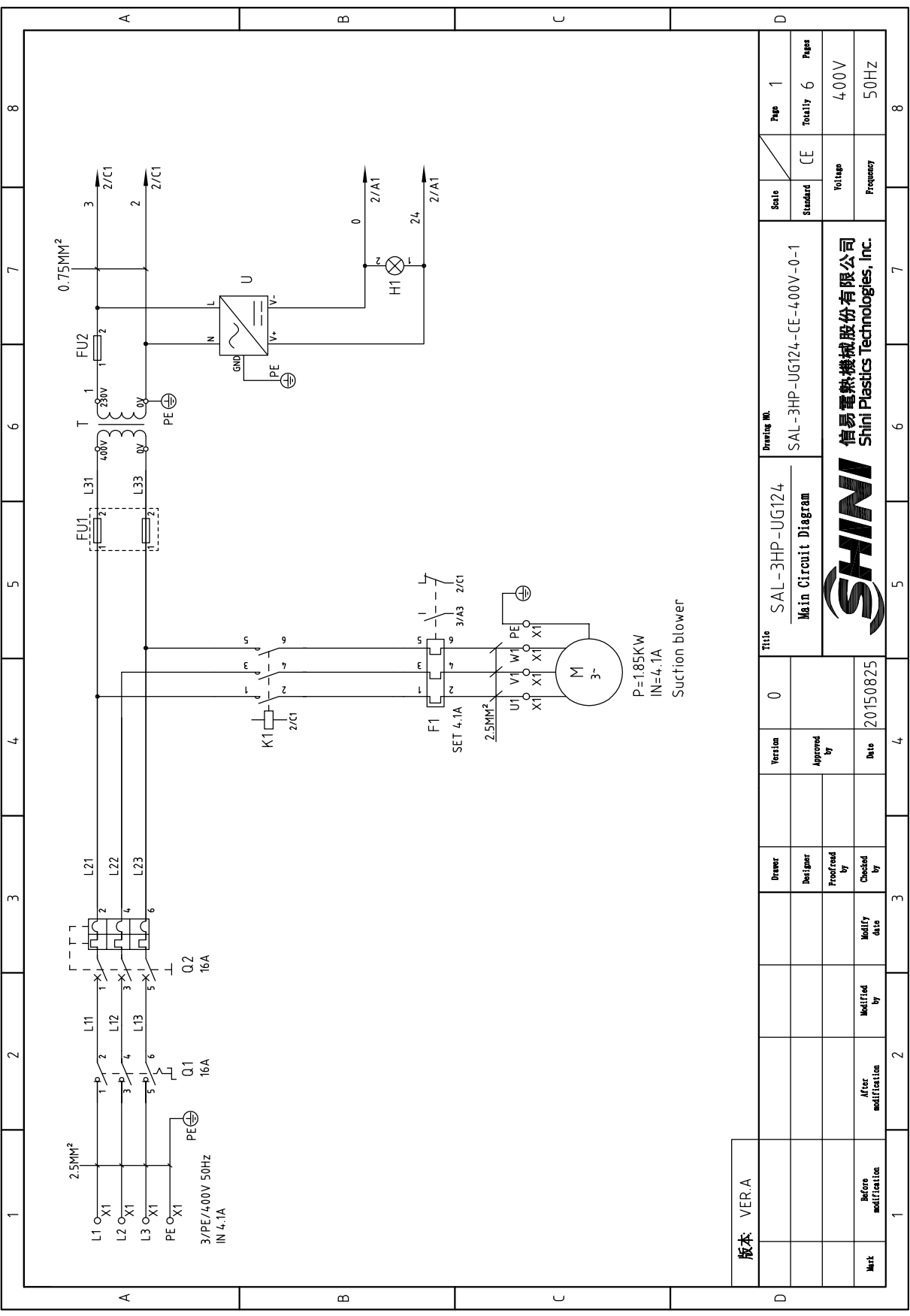
Title		Drawing No.		Scale	Page
SAL-2HP-UG124		SAL-2HP-UG124-CE-400V-F-4		Standard	4
Electrical Components Layout		SHINI		Totally	6
		信易塑料机械股份有限公司 Shini Plastics Technologies, Inc.		Voltage	400V
				Frequency	50Hz
Revision		Date		Page	
F		20160531		CE	
Designer	Approved by	Checked by			
Proofread by	Modify date	Modify by			
Before modification	After modification				
Mark		1		8	

1		2		3		4		5		6		7		8						
NO.	Symbol	Name	Manufacturer	Type	Specification	Number	Material number	Remark												
1	Q1	Main switch	MOELLER	T0-2-1	16A	1	YE10021160000													
2	Q2	Circuit breakers	TECO	BM-63	10A	1	YE40301003000													
3	K1	Contactors	SIEMENS	3RT6016-1AB01	24VAC	1	YE00601602500	A												
4	K2	Relay	Honeywell	GR-4C	24VDC	1	YE03042400500													
5	F1	Overload relays	SIEMENS	3RU6116-1FB0	3.5-5A	1	YE01160350000													
6	FU1,FU2 ,FU3	Fuse	YINDA	FS-10	2A	4	YE41001000000													
7	T	Transformer	BAIYUN	IN=400V 0UF=24VAC 50VA/230V 500mA	50VA /500mA	1	YE70400241000													
8	A1	Program controller	SIEMENS	LOGO24RC	24VDC	1	YE81002400000													
9	A2,A3	Extended module	SIEMENS	LOGO0DM8 24R	24VDC	2	YE82082400000													
10	U1	DC power	MEAN WELL	S-35-24	24VDC 15A	1	YE71352400000													
11	S1 S2 S3 S4	Knob switch	ABB	CZSS2-10B-10	Ui=300V Ith=5A	4	YE12210100000	B												
12	S5 S6 S7 S8	Photoelectricity switch	FOTEK	MT-4MNO-30VDC	10..30VDC	4	YE15000400000													
13		Reed switch	SONON	BN12-30BLA	24VDC	4	YE15123000000	(1) SMH												
14	Y1-Y5	Solenoid valve	FESTO	----	24VDC	5	----	(1)												
15	Y11-Y14	Solenoid valve	FESTO	----	24VDC	4	----	(1)												
16	H1	Indicator	ABB	CL-520G	24VDC	1	YE83050200100													
17	H2	Indicator	ABB	CL-520Y	24VDC	1	YE83050200000													
18	H3 H4 H6 H7 H9 H10 H12 H13	Indicator	SHINI	绿色GR	24VDC	8	YE83002400200													
19	H5 H8 H11 H14	Indicator	SHINI	红色RD	24VDC	4	YE83002400000													
20	H15	Buzzer	SHINI	PK-27A	24VDC	1	YE84002700000	(2)												
21	H16	Alarm light	SHINI	LTE-3051	24VDC	1	YE83305100300													
22	X1	Terminal block	---	2.5mm ²	---	6	YE61250040000													
23		Terminal block	---	2.5mm ² PE	---	2	YE61253500000													
24	X10,X11,X12,X13	Heavy-duty connector	SIBAS	HA-004-(F(Female))	4P	4	YE60000040000													
25		Heavy-duty connector	SIBAS	HA-004-(M(Male))	4P	4	YE60000400200													
机型号版本: Ver.C															Notes: (1) Means not part of control box.; (2) Stands for optional.					
		Drawer	Designer	Proofread by	Checked by	Modify date	After modification		Before modification		Version		F	Title	Drawing No.		Scale		Page 5	
						20160531					Approved by			SAL-2HP-UG124	SAL-2HP-UG124-CE-400V-F-5		Standard		CE	
		Electrical Components List 1													Total		Page 5			
		SHINI 信易塑料机械股份有限公司 Shini Plastics Technologies, Inc.													Frequency		400V			
															Frequency		50Hz			
															Totality		Page 6			
															Frequency		50Hz			


1	2		3	4	5	6		7	8	
NO.	Symbol	Name	Manufacturer	Type	Specification	Number	Material number	Remark		
26	X2	Terminal block	---	2.5mm ²	---	10	YE61250040000			
27		Terminal block	---	2.5mm ² PE	---	5	YE61253500000			
28	M	Blower	SHINI	---	2HP 4.00V 50Hz	1	---	(1)		
A										
B										
C										
D										

机型号本: Ver.C	Notes: (1) Means not part of control box; (2) Stands for optional.	Title	Drawing No.	Scale	Page
		SAL-2HP-UG174	SAL-2HP-UG174	Standard	6
		Electrical Components List 2	SAL-2HP-UG174-CE-400V-F-6	CE	6
				Voltage	4.00V
				Frequency	50HZ
1	2	3	4	5	6
			Version	F	
		Drawer	Designer	Approved by	
		Proofread by	Checked by	Date	20160531
		Modified by	Modify date		
Mark	Before modification	After modification			





版本 VER.A

Sheet No.	0	Version	0	Title	SAL-3HP-UG124	Drawing No.	SAL-3HP-UG124-CE-4.00V-0-1	Scale	1	Page	1
Designer		Approved by		Main Circuit Diagram		Standard	CE	Totally	6	Pages	6
Proof/read by		Checked by		 信易塑料机械股份有限公司 Shini Plastics Technologies, Inc.		Voltage	400V				
Modify date		Modify by				Frequency	50Hz				
Before modification		After modification		Date	20150825	Frequency	50Hz				

1

2

3

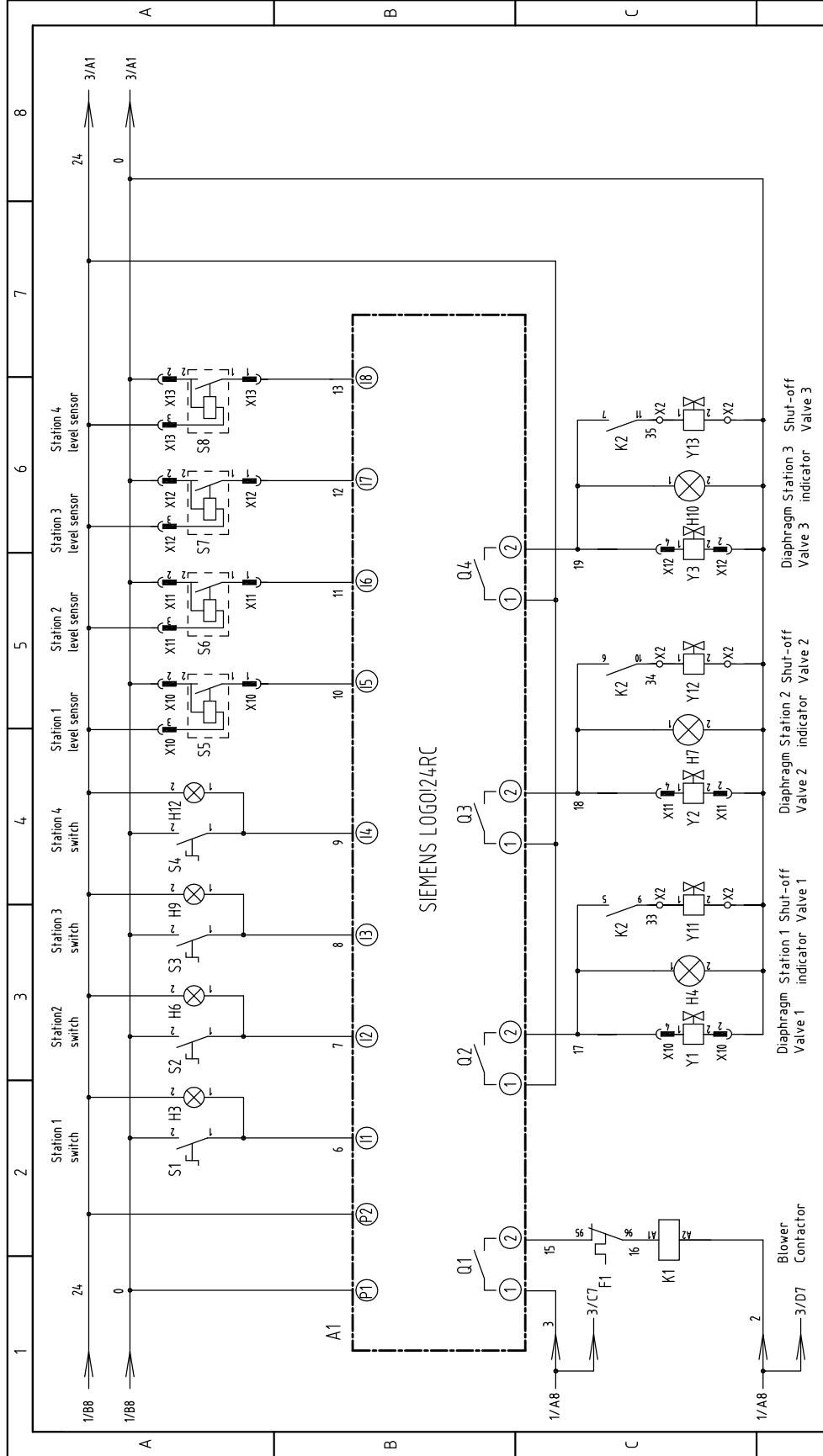
4

5

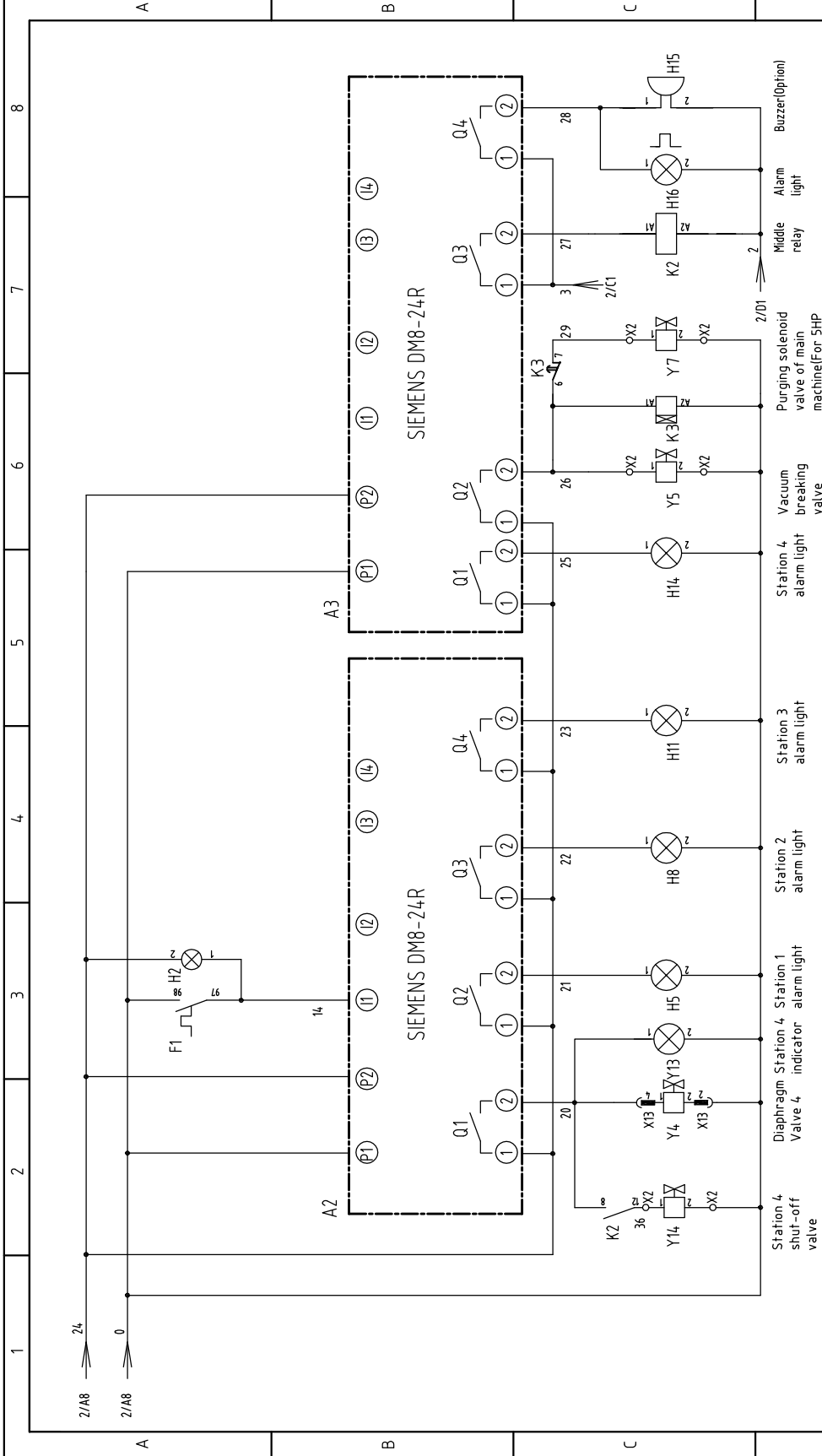
6

7

8



1	2	3	4	5	6	7	8
A							
B							
C							
D							
版本 VER.A		Drawing No.		Scale		Page 2	
		Title		Standard		Totally 6	
		Version		SAL-3HP-UG124		CE	
		Approved by		SAL-3HP-UG124-CE-4.00V-0-2			
		Designer		信易塑料机械股份有限公司			
		Proofread by		Shini Plastics Technologies, Inc.			
		Checked by		Tolusep		4.00V	
		Modify date		Frequency		50Hz	
Work		Before modification		After modification		Date	
		20150825					
1		2		3		4	
5		6		7		8	

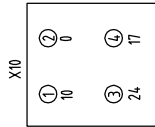
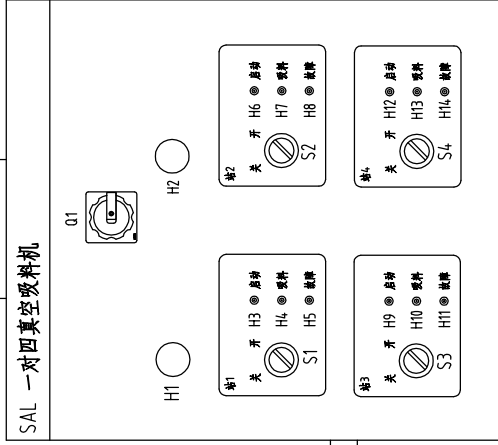
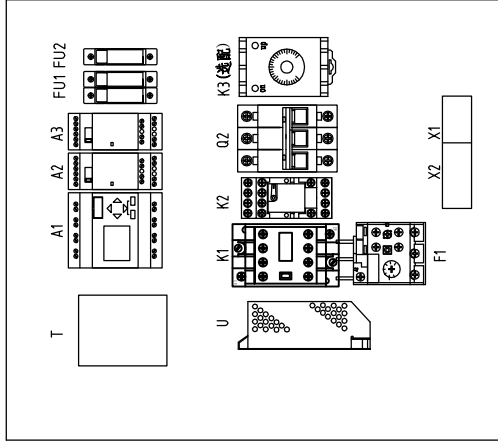
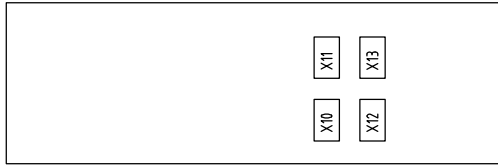


版本 VER.A

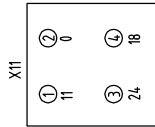
Work	Before modification	After modification	Modify date	Checked by	Profread by	Designer	Drawer	Version	0	Title	SAL-3HP-UG124 Control Circuit Diagram 2		Drawing No.	SAL-3HP-UG124-CE-4.00V-0-3		Scale	Page	
								Approved by					Standard	CE	Totally	6	Pages	4.00V
								Date	20150825									50HZ



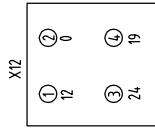
1 2 3 4 5 6 7 8



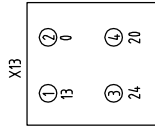
Station 1 heavy duty connector



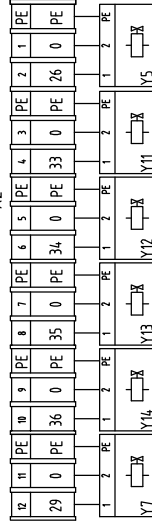
Station 2 heavy duty connector



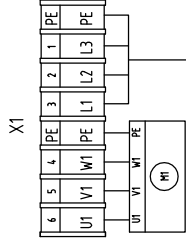
Station 3 heavy duty connector



Station 4 heavy duty connector



Purging valve of main machine (Option)
 Station 4 shut-off valve 4
 Station 3 shut-off valve 4
 Station 2 shut-off valve 4
 Station 1 shut-off valve 4
 Vacuum breaking valve



Suction blower
 Power

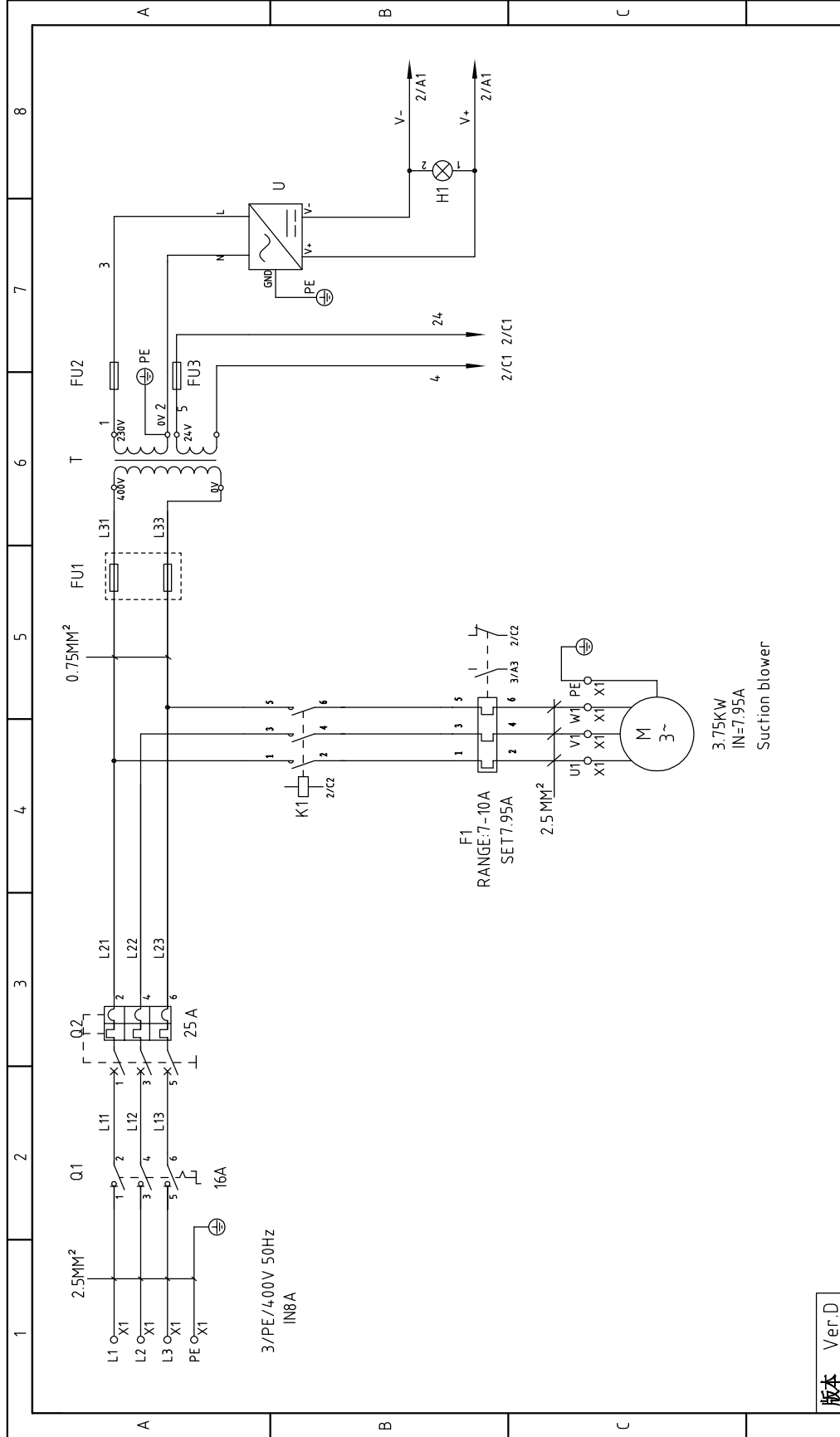
版本 VER.A

Title		Drawing No.		Scale	Page
SAL-3HP-UG124		SAL-3HP-UG124-CE-4.00V-0-4		Standard	Totally 6
Electrical Components Layout		SHINI		CE	Pages
SHINI Shini Plastics Technologies, Inc.		Voltage		4.00V	
Mark		Frequency		50Hz	
20150825	Date	20150825		Date	
Approved by	Checked by	Modify date	Modified by	After modification	
Designer	Proofread by	Modify date	Modified by	Before modification	
Drawer	Checked by	Modify date	Modified by	Before modification	
Revision	Approved by	Checked by	Modified by	After modification	
0					

1 2 3 4 5 6 7 8

1	2		3	4	5	6	7	8
NO.	Symbol	Name	Manufacturer	Type	Specification	Number	Material number	Remark
1	Q1	Main switch	SIEMENS	3LD20	16A	1	YE1020030000	
2	Q2	Circuit breakers	TECO	BM-63C/3016S	16A	1	YE40301603000	
3	K1	Contactors	SIEMENS	3RT6016-1ANZ1	220V 50/60Hz	1	YE00601621000	A
4	K2	Relay	WEIDEMILE	DRM570730LT	230V 50/60Hz	1	YE03570700000	
5	F1	Overload relays	SIEMENS	3RU6116-1FB0	3.5-5A	1	YE01160350000	
6	FU1	Fuse base	CHNT	RT28-32	500V 32A	1	YE41032200000	
7		Fuse core	MRO	---	500V 2A 10x38	2	YE46002000100	
8	FU2	Fuse	YINDA	FS-10	2A	1	YE41001000000	
9	T	Transformer	BAIYUN	IN=400V OUT=230V	500mA	1	YE70402300800	
10	A1	Program controller	SIEMENS	LOGO24RC	24VDC	1	YE81002400000	
11	A2,A3	Extended module	SIEMENS	LOGO!DM8 24R	24VDC	2	YE82082400000	B
12	U1	DC power	MEAN WELL	EPR-35-24	24VDC 15A	1	YE71352400100	
13	S1 S2 S3 S4	Knob switch	ABB	C2SS2-10B-10	Ui=300V Ih=5A	4	YE12210100000	
14	S5 S6 S7 S8	Photoelectricity switch	FOTEK	----	10...30VDC	4	----	(1) SVH
15		Reed switch	SONON	----	24VDC	4	----	(1) SMH
16	Y1-Y5	Solenoid valve	FESTO	----	24VDC	5	----	(1)
17	Y11-Y14	Solenoid valve	FESTO	----	24VDC	4	----	(1)
18	H1	Indicator	ABB	CL-520G	24VDC	1	YE83050200100	
19	H2	Indicator	ABB	CL-520Y	24VDC	1	YE83050200000	C
20	H3 H4 H6 H7 H9 H10 H12 H13	Indicator	SHINI	綠色GR	24VDC	8	YE83002400200	
21	H5 H8 H11 H14	Indicator	SHINI	紅色RD	24VDC	4	YE83002400000	
22	H15	Buzzer	TEND	PF-35A	60-250VAC 50/60Hz	1	YE84003500000	(2)
23	H16	Alarm light	SHINI	LTE-3051	230VAC 50/60Hz	1	YE83305100200	
24	X1	Terminal block	---	2.5mm ²	---	6	YE61250040000	
25		Terminal block	---	2.5mm ² PE	---	2	YE61253500000	
版本 VER.A Notes: (1) Means not part of control box; (2) Stands for optional.								
				Version	0	Drawing No.		Page 5
				Designer		Title		Scale
				Approved by		SAL-3HP-UG124		Standard
				Proofread by		SAL-3HP-UG124-CE-4.00V-0-5		CE
				Checked by		Electrical Components List 1		Totals
				Modify date	20150825	SHINI		Page 6
				After modification		信易塑料機械股份有限公司		Frequency
				Before modification		Shini Plastics Technologies, Inc.		400V
								50Hz
								8

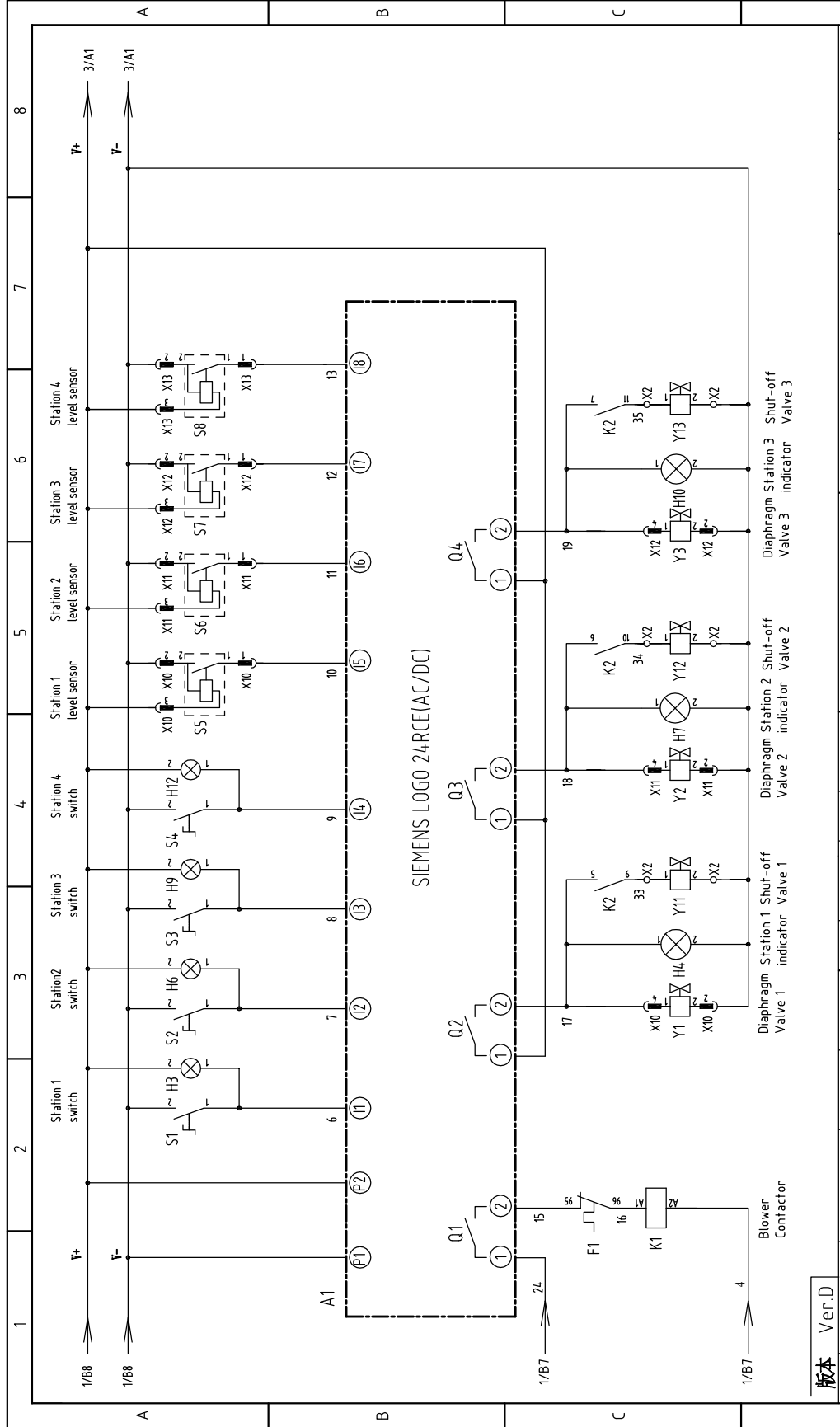
1	2		3		4		5		6		7		8	
NO.	Symbol	Name	Manufacturer	Type	Specification	Number	Material number	Remark						
26	X2	Terminal block	---	2.5mm ²	---	10	YE61250040000							
27		Terminal block	---	2.5mm ² PE	---	5	YE61253500000							
28	X10,X11,X12,X13	Heavy-duty connector	SIBAS	HA-004-F(Female)	4P	4	YE6804,1000100	A						
29		Heavy-duty connector	SIBAS	HA-004-M(Male)	4P	4	YE600004,00200							
30	M	Blower	SHINI	---	3HP 4,00V 50Hz	1	---	(1)						
									B					
									C					
									D					
版本 VER.A												Notes: (1) Means not part of control box; (2) Stands for optional.		
			Version	0	Title		SAL-3HP-UG124			Printing Mt.		Scale	Page	6
			Designer		Electrical Components List 2		SAL-3HP-UG124-CE-4.00V-0-6			Standard		CE	Totally	6
			Proffread by							Voltage		4.00V		
			Checked by		Date		20150825			Frequency		50Hz		
SHINI 信易塑料机械股份有限公司 Shini Plastics Technologies, Inc.														
1	2		3		4		5		6		7		8	
Mark	Before modification	After modification	Modified by	Modify date	Drawer	Designer	Proffread by	Checked by	Version	Date	Title		Printing Mt.	




版本 Ver.D

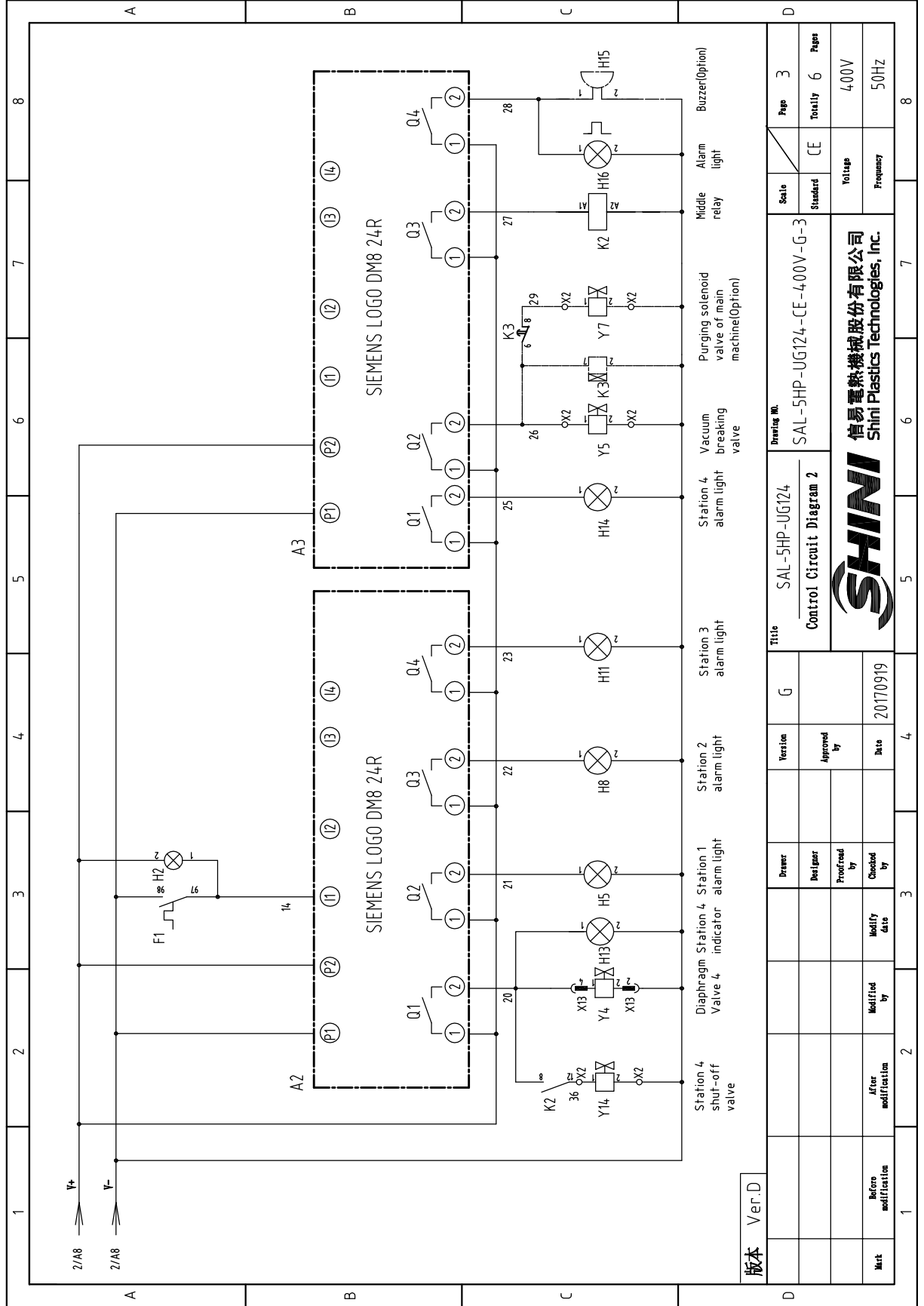
Title		SAL-5HP-UG124		Drawing No.		SAL-5HP-UG124-CE-400V-G-1	
Version		G		Standard		CE	
Designer		Approved by		Voltage		400V	
Proof/read by		Date		Frequency		50Hz	
Checked by		20170919		Totally		6	
Modify date				Page		1	
Before modification				Standard		CE	
After modification				Voltage		400V	
Modified by				Frequency		50Hz	
Next				Page		1	
				Totally		6	
				Page		1	

SHINI
 信易塑料机械股份有限公司
 Shini Plastics Technologies, Inc.



版本 Ver.D

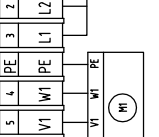
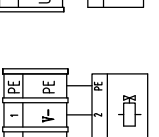
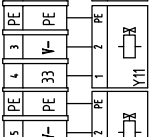
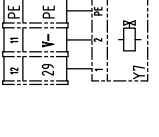
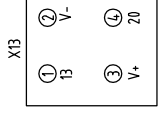
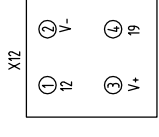
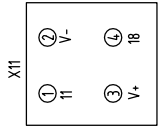
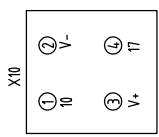
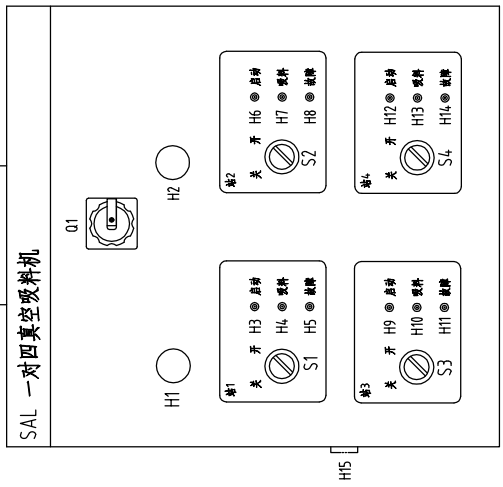
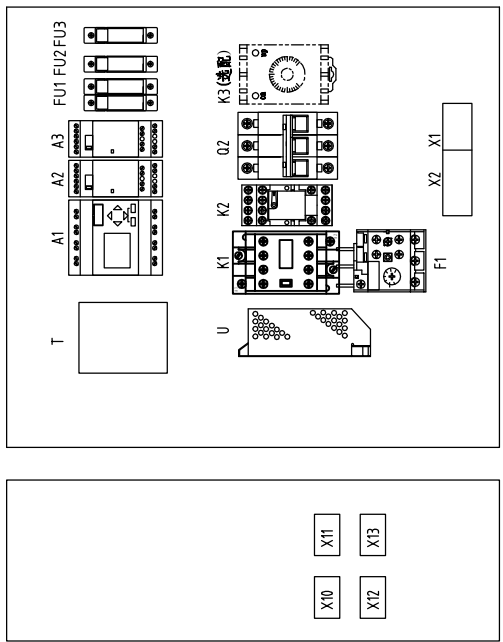
Mark	Before modification	Modified by	Modify date	20170919	 信易塑料机械股份有限公司 Shini Plastics Technologies, Inc.	Title SAL-5HP-UG124 Control Circuit Diagram 1	Drawing No. SAL-5HP-UG124-CE-400V-G-2	Scale	Page
	After modification	Modified by	Modify date	20170919				Standard	Totally
								400V	50Hz



版本 Ver.D

Title		Drawing No.	
SAL-5HP-UG124		SAL-5HP-UG124-CE-4.00V-G-3	
Control Circuit Diagram 2			
Version		Scale	
G		Standard	
Designer	Approved by	Total	
Proofread by	Date	6	
Checked by	20170919	Pages	
Modify date		400V	
Before modification		Frequency	
1		50Hz	





Station 1 heavy duty connector

Station 2 heavy duty connector

Station 3 heavy duty connector

Station 4 heavy duty connector

Purging valve shut-off machine (Option)

Station 2 shutoff valve 4

Station 3 shutoff valve 4

Station 4 shutoff valve 4

Suction blower


版本 Ver.D

Title		Drawing No.		Scale	Page
SAL-5HP-UG124		SAL-5HP-UG124-CE-400V-G-4		Standard	4
Electrical Components Layout		CE		Totally	6
SHINI		信易塑料机械股份有限公司		Voltage	
Shini Plastics Technologies, Inc.		400V		Frequency	
20170919		50Hz		8	
Revision	Approved by	Designer	Proofread by	Checked by	
G					
1					
2					
3					
4					
5					
6					
7					
8					


1	2		3	4	5	6	7	8
NO.	Symbol	Name	Manufacturer	Type	Specification	Number	Material number	Remark
1	Q1	Main switch	MOELLER	T0-2-1	16A	1	YE10021160000	
2	Q2	Circuit breakers	TECO	BM-63	25A	1	YE40602500000	
3	K1	Contactors	SIEMENS	3RT16017-1AB01	24VAC 12A 1NO	1	YE00601702500	A
4	K2	Middle relay	Honeywell	GR-4C	24VDC	1	YE03042400500	
5	F1	Overload relays	SIEMENS	3RU6116-1JB0	7-10A	1	YE01167100000	
6	FU1,FU2 ,FU3	Fuse	YINDA	FS-10	2A	4	YE41001000000	
7	T	Transformer	BAIYUN	1N=400V 0UF=24VAC 50VA/230V 500mA	50VA /500mA	1	YE70400241000	
8	A1	Program controller	SIEMENS	LOGO 24RCE(AC/DC)	24VDC	1	YE80105200000	
9	A2,A3	Extended module	SIEMENS	LOGO1DM8 24R	24VDC	2	YE81105500000	
10	U	DC power	MEAN WELL	S-35-24	24VDC 15A	1	YE71352400000	
11	S1 S2 S3 S4	Knob switch	ABB	CZSS2-10B-10	Ui=300V Ith=5A	4	YE12210100000	B
12	S5 S6 S7 S8	Photoelectric switch	FOTEK	MT-4MNO-30VDC	10..30VDC	4	----	(1) SVH
13		Reed switch	SONON	BN12-30BLA	24VDC	4	----	(1) SMH
14	Y1-Y5	Solenoid valve	Airtec	4V210-06	24VDC	5	----	(1)
15	Y11-Y14	Solenoid valve	Airtec	4V210-06	24VDC	4	----	(1)
16	H1	Indicator(Green)	ABB	CL2-50ZG	24VDC	1	YE83050200100	
17	H2	Indicator(Yellow)	ABB	CL2-50ZG	24VDC	1	YE83050200000	
18	H3 H4 H6 H7 H9 H10 H12 H13	Metal indicator	SHINI	綠色GR	24VDC	8	YE83002400200	
19	H5 H8 H11 H14	Metal indicator	SHINI	紅色RD	24VDC	4	YE83002400000	C
20	H15	Buzzer	SHINI	PK-27A/29EP	DC3-24V	1	YE84002700000	(2)
21	H16	Alarm light	SHINI	LED-3051/24VDC 紅白色	24VDC	1	YE83305100300	
22	X1	Spring wiring terminal SK4	Honeywell	4mm ²	---	6	YE60000403200	
23		Grounding terminal GK5PE	Honeywell	4mm ² PE	---	2	YE60000403500	
24		Spring wiring terminal SK25	Honeywell	2.5mm ²	---	10	YE60002503200	
25		Grounding Terminal GK2.5PE	Honeywell	2.5mm ² PE	---	5	YE60002503400	

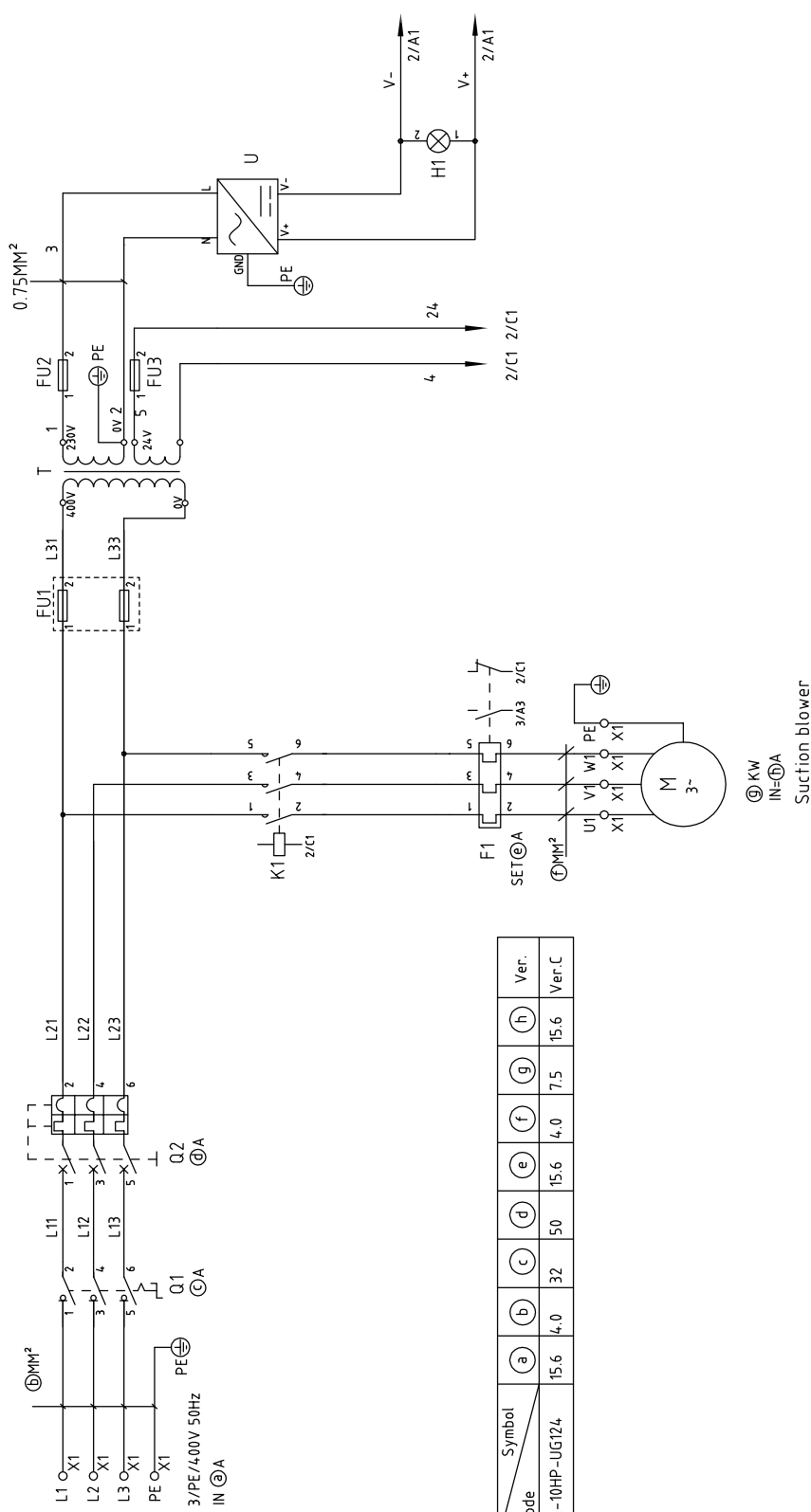
版本 Ver.D Notes: (1) Means not part of control box.; (2) Stands for optional.

Drawing No.		Title		Drawing No.	
		SAL-5HP-UG124		SAL-5HP-UG124-CE-4.00V-G-5	
		Electrical Components List 1			
Scale	CE	Scale	CE	Page 5	Page 6
Standard	CE	Standard	CE	Totality 400V	
			Frequency 50Hz		



信易電熱機械股份有限公司
Shini Plastics Technologies, Inc.

1	2		3	4	5	6	7	8
NO.	Symbol	Name	Manufacturer	Type	Specification	Number	Material number	Remark
1		Spring wiring terminal SK2.5	Honeywell	2.5mm ²	---	2	YE60002503200	(2)
2		Grounding terminal GK2.5PE	Honeywell	2.5mm ² PE	---	1	YE60002503400	(2)
3	M	Blower	SHINI	RB550	5HP 4.00V 50Hz	1	---	(1) A
4	K3	Timer+Base TH3M	T&C	TH3M-NAB/3S-60M	DC/AC24V	1	YE86123000000	(2)
5		Terminal block E/GK	Honeywell	----	PCS	4	YE60000003900	
6	X10,X11,X12,X13	Heavy duty connector	SIBAS	HDC-HA-004.14P/100A(Female)	4P	4	YE6804.1000100	
A								
B								
C								
D								
版本 Ver.D Notes: (1) Means not part of control box; (2) Stands for optional.								
			Drawer	Version	Title	Drawing No.		Scale
			Designer	G	SAL-5HP-UG124	SAL-5HP-UG124-CE-4.00V-G-6		Page 6
			Proofread by	Approved by	Electrical Components List 2		Standard	Totally 6
			Checked by	Date	 信易塑料机械股份有限公司 Shini Plastics Technologies, Inc.		CE	Pages 6
			Modify date	20170919			101step	4.00V
			Before modification				Frequency	50Hz
			2	3	4	5	6	7
			1	2	3	4	5	6
			1	2	3	4	5	6
			1	2	3	4	5	6



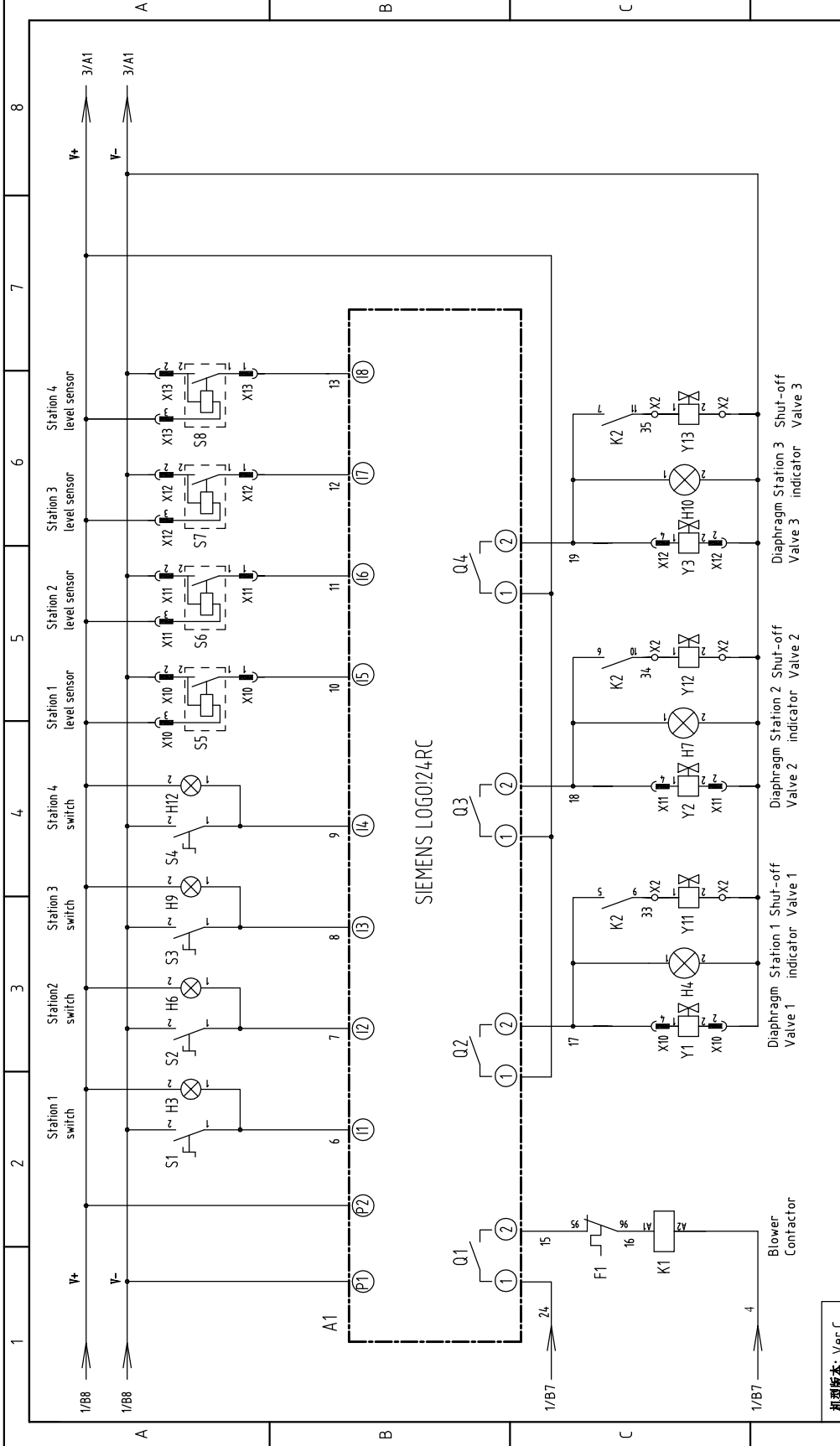
Mode	Symbol	(a)	(b)	(c)	(d)	(e)	(f)	(g)	(h)	Ver.
SAL-10HP-UG124		15.6	4.0	32	50	15.6	4.0	7.5	15.6	Ver.C

机型版本: Ver.C

Title		Drawing No.		Scale		Page	
SAL-10HP-UG124		SAL-10HP-UG124-CE-400V-F-1		CE		1	
Main Circuit Diagram				Standard		Totally 6	
				Voltage		400V	
				Frequency		50Hz	



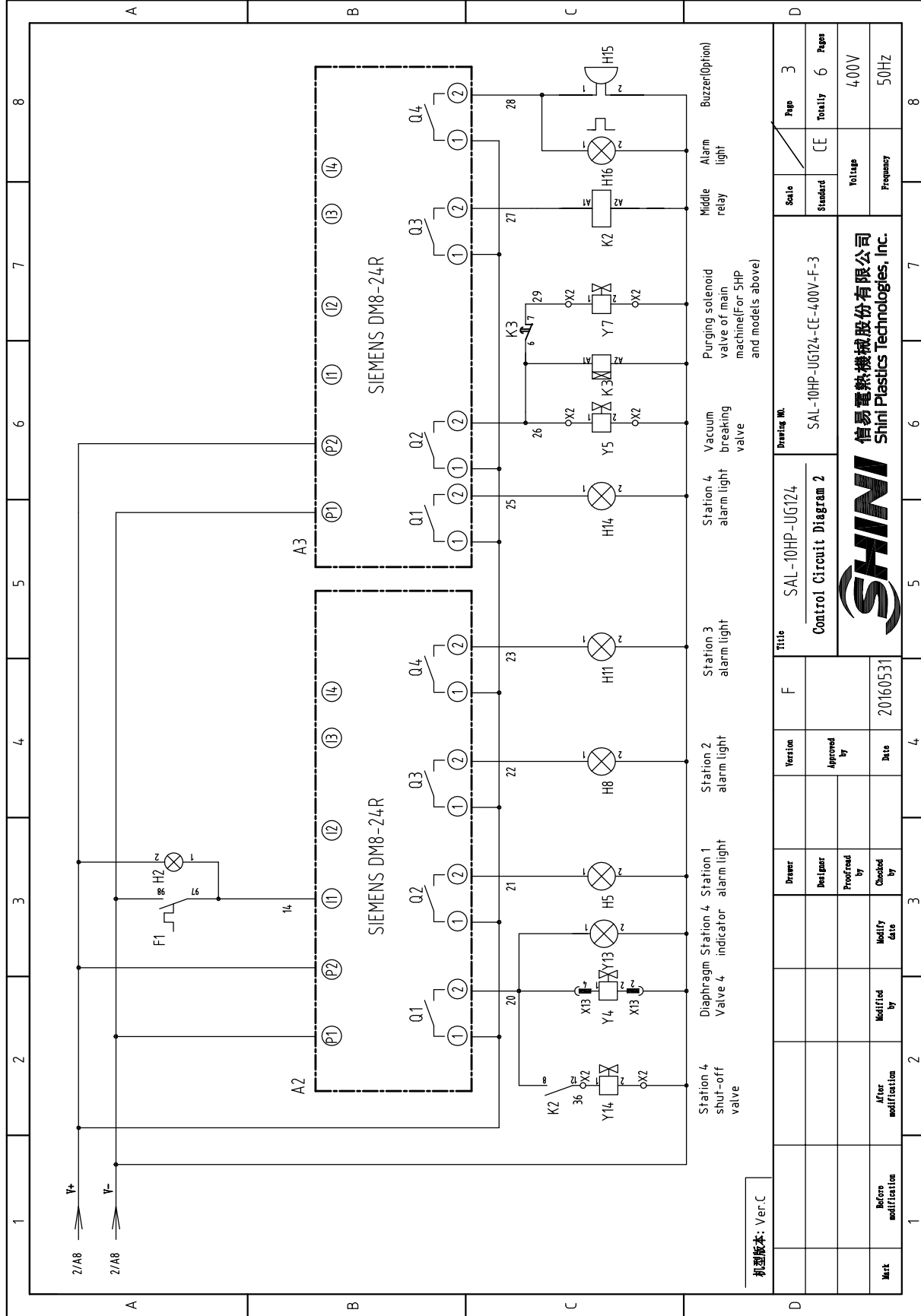
Version	Approved by	Date	20160531
Designer	Proof/read by	Checked by	
Modified by	Modify date		
Before modification	After modification		



机型版本: Ver.C

Title			Drawing No.		
SAL-10HP-UG124			SAL-10HP-UG124-CE-400V-F-2		
Control Circuit Diagram 1			CE		
Version			Scale		
F			Standard		
Approved by			Total		
Date			Page		
20160531			6		
Checked by			Tolusep		
Modified by			Frequency		
After modification			4,00V		
Before modification			50Hz		
1			8		

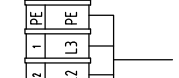
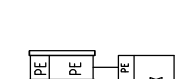
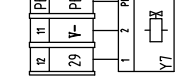
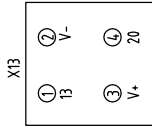
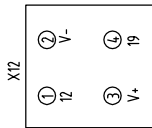
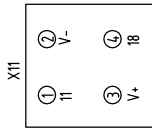
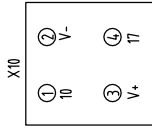
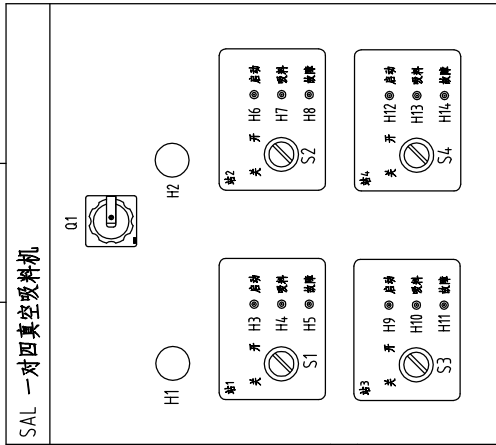
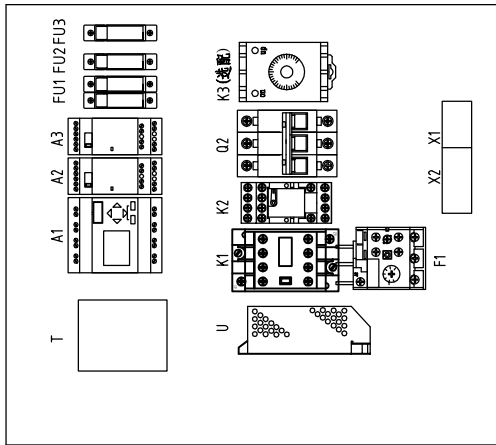
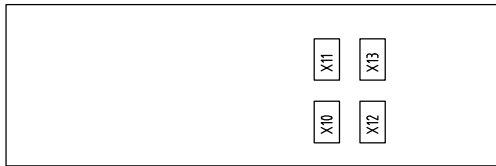




机型版本: Ver.C

Title		Drawing No.		Scale	Page
SAL-10HP-UG124		SAL-10HP-UG124-CE-4.00V-F-3		Standard	3
Control Circuit Diagram 2		SHINI		Totally	6
SHINI		信易塑料机械股份有限公司		Frequency	4.00V
20160531		SHINI		Frequency	50Hz
Version	Designer	Checked by	Approved by	8	
4				7	
3				6	
2				5	
1				4	
Before modification		After modification		3	
Modify date		Modify by		2	
Date		Date		1	

1 2 3 4 5 6 7 8



Station 1 heavy duty connector

Station 2 heavy duty connector

Station 3 heavy duty connector

Station 4 heavy duty connector

Purging valve shut-off of main machine (Option)

Station 2 shut-off valve 4

Station 3 shut-off valve 4

Station 4 shut-off valve 4

Vacuum breaking valve

Suction blower

机型版本: Ver. C

Mark	Before modification	After modification	Modified by	Modify date	Checked by	Proofread by	Designer	Drawer	Version	F	Title	Drawing No.		Scale	Page
											SAL-10HP-UG124	SAL-10HP-UG124-CE-400V-F-4		Standard	4
											Electrical Components Layout	SAL-10HP-UG124-CE-400V-F-4		CE	Totally 6
											SHINI 信易塑料机械股份有限公司 Shini Plastics Technologies, Inc.		Voltage	400V	
													Frequency	50Hz	
															8

1 2 3 4 5 6 7 8

1	2		3	4	5	6		7	8	
NO.	Symbol	Name	Manufacturer	Type	Specification	Number	Material number	Remark		
1	Q1	Main switch	MOELLER	P1-32	32A	1	YE10323200000			
2	Q2	Circuit breakers	TECO	BM-63	50A	1	YE40305003000			
3	K1	Contactors	SIEMENS	3RT6026-1AC20	24VAC	1	YE00602602600	A		
4	K2	Relay	Honeywell	GR-4C	24VDC	1	YE03042400500			
5	F1	Overload relays	SIEMENS	3RU6126-4BB0	14-20A	1	YE01260140000			
6	FU1,FU2 ,FU3	Fuse	YINDA	FS-10	2A	4	YE41001000000			
7	T	Transformer	BAIYUN	IN=400V 0UF=24VAC 50VA/230V 500mA	50VA /500mA	1	YE70400241000			
8	A1	Program controller	SIEMENS	LOGO24RC	24VDC	1	YE81002400000			
9	A2,A3	Extended module	SIEMENS	LOGO0DM8 24R	24VDC	2	YE82082400000			
10	U1	DC power	MEAN WELL	S-35-24	24VDC 15A	1	YE71352400000			
11	S1 S2 S3 S4	Knob switch	ABB	CZSS2-10B-10	Ui=300V Ith=5A	4	YE12210100000	B		
12	S5 S6 S7 S8	Photoelectricity switch	FOTEK	MT-4MNO-30VDC	10..30VDC	4	YE15000400000			
13		Reed switch	SONON	BN12-30BLA	24VDC	4	YE15123000000	(1) SMH		
14	Y1-Y5	Solenoid valve	FESTO	----	24VDC	5	----	(1)		
15	Y11-Y14	Solenoid valve	FESTO	----	24VDC	4	----	(1)		
16	H1	Indicator	ABB	CL-520G	24VDC	1	YE83050200100			
17	H2	Indicator	ABB	CL-520Y	24VDC	1	YE83050200000			
18	H3 H4 H6 H7 H9 H10 H12 H13	Indicator	SHINI	绿色GR	24VDC	8	YE83002400200			
19	H5 H8 H11 H14	Indicator	SHINI	红色RD	24VDC	4	YE83002400000			
20	H15	Buzzer	SHINI	PK-27A	24VDC	1	YE84002700000	(2)		
21	H16	Alarm light	SHINI	LTE-3051	24VDC	1	YE83305100300			
22	X1	Terminal block	---	4.0mm ²	---	6	YE61040000000			
23		Terminal block	---	4.0mm ² PE	---	2	YE61043500000			
24	X10,X11,X12,X13	Heavy-duty connector	SIBAS	HA-004-(F(Female))	4P	4	YE60000040000			
25		Heavy-duty connector	SIBAS	HA-004-(M(Male))	4P	4	YE60000400200			

机型号版本: Ver.C Notes: (1) Means not part of control box.; (2) Stands for optional.

D				Drawing No.		Scale		Page	
Title		Version		Standard		Totality		Pages	
SAL-10HP-UG124		F		SAL-10HP-UG124-CE-400V-F-5		CE		400V	
Electrical Components List 1		Approved by		Frequency		400V		50Hz	
SHINI		Date		20160531					
信易塑料机械股份有限公司 Shini Plastics Technologies, Inc.									

1		2		3		4		5		6		7		8	
NO.	Symbol	Name	Manufacturer	Type	Specification	Number	Material number	Remark							
26	X2	Terminal block	---	2.5mm ²	---	10	YE61250040000								
27		Terminal block	---	2.5mm ² PE	---	5	YE61253500000								
28	M	Blower	SHINI	---	10HP 4.00V 50HZ	1	---	(1)							
A															
B															
C															
D															

机型号本: Ver.C		Notes: (1) Means not part of control box.; (2) Stands for optional.		Title		Drawing No.		Scale		Page	
				SAL-10HP-UG124		SAL-10HP-UG124-CE-4.00V-F-6		Standard		CE	
				Electrical Components List 2				Voltage		4.00V	
				SHINI		SHINI Plastics Technologies, Inc.		Frequency		50HZ	
				Version		F		Totally		6	
				Approved by				Frequency		50HZ	
				Date		20160531					
				Before modification							
				After modification							
				Modified by							
				Modify date		20160531					
				Checked by							
				Proofread by							
				Designer							
				Drawer							