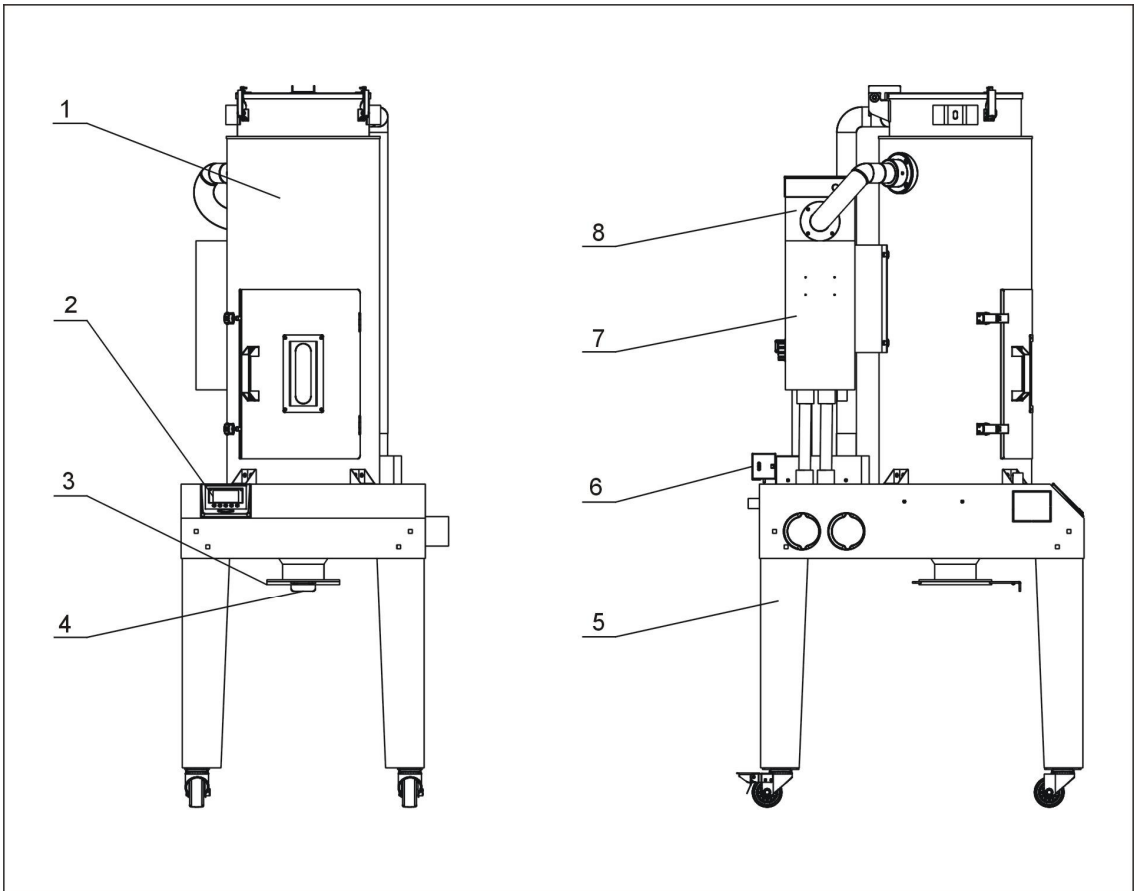


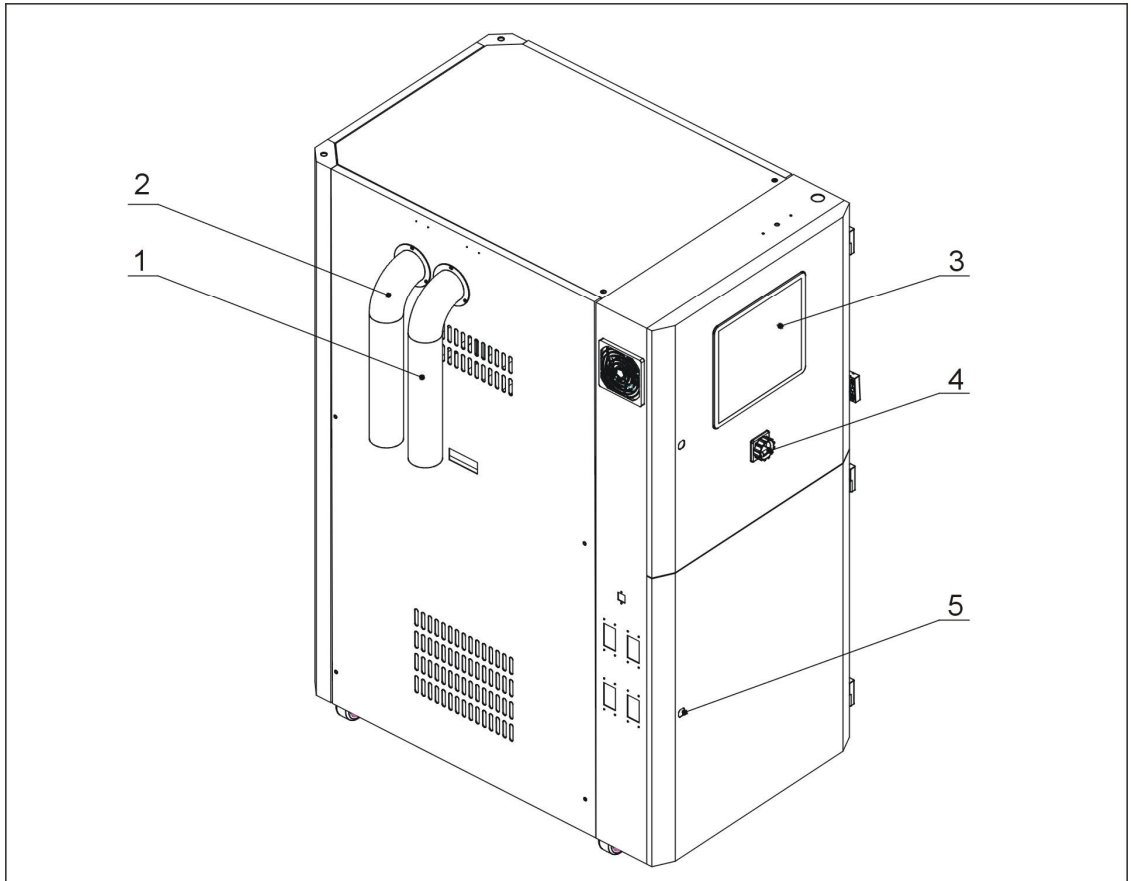
1. Structural Drawing (MHD-U)



Parts name:

- | | | |
|------------------------------|--------------------------|--------------------------|
| 1. Insulated hopper assembly | 2. Controller | 3. Shut-off plate flange |
| 4. Shut-off plate | 5. Floor stand assembly | 6. Air flow regulator |
| 7. Control box assembly | 8. Heating case assembly | |

2. Structural Drawing (SD-H-SM)



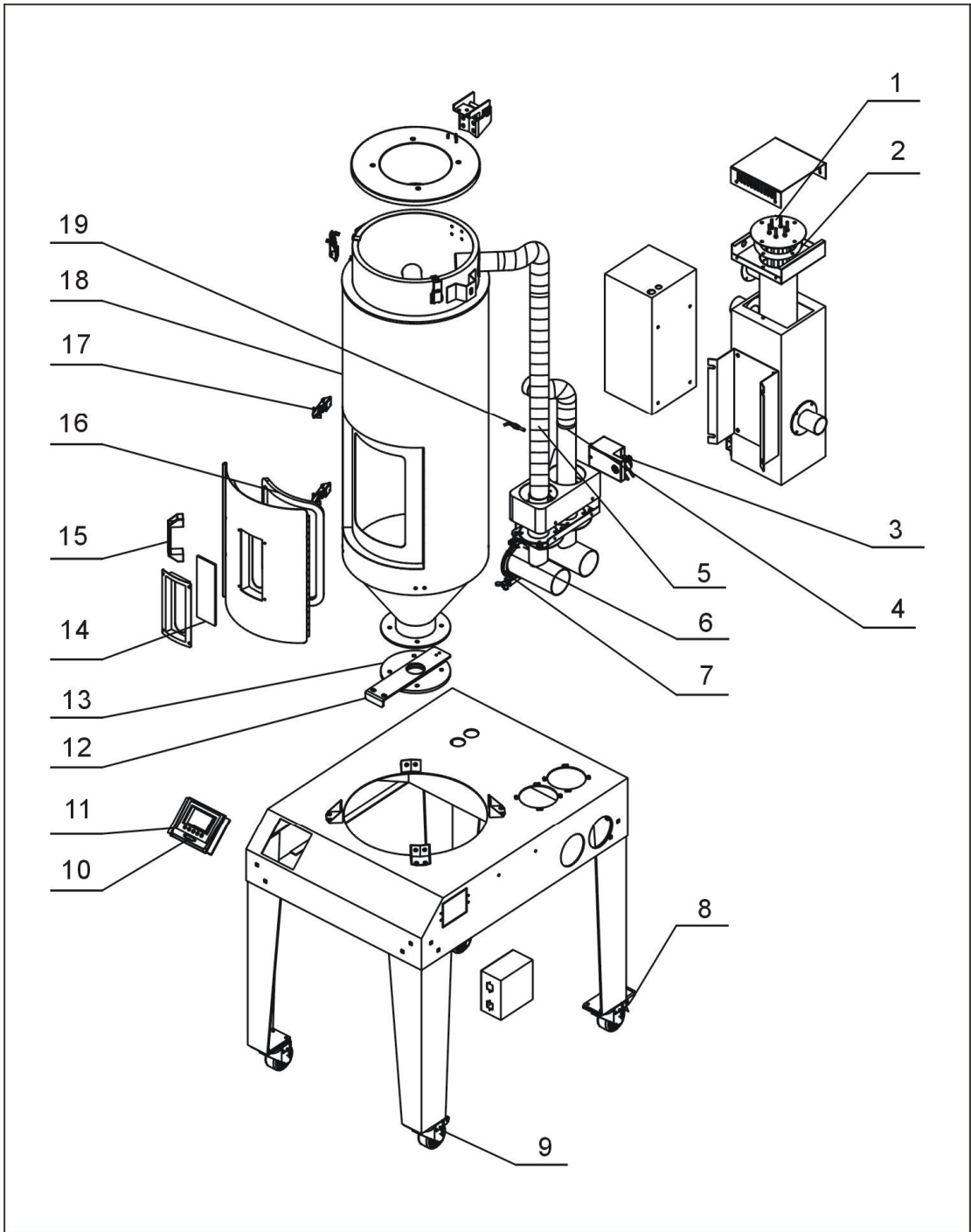
Parts name:

1. Hot-air return inlet
4. Main power switch

2. Drying air outlet
5. Door lock

3. Touch panel
6. Castor

3. Assembly Drawing (MHD-20U~300U)



Remarks: Please refer to material list 4 for specific explanation of the Arabic numbers in parts drawing.

4. Parts List (MHD-20U~600U)

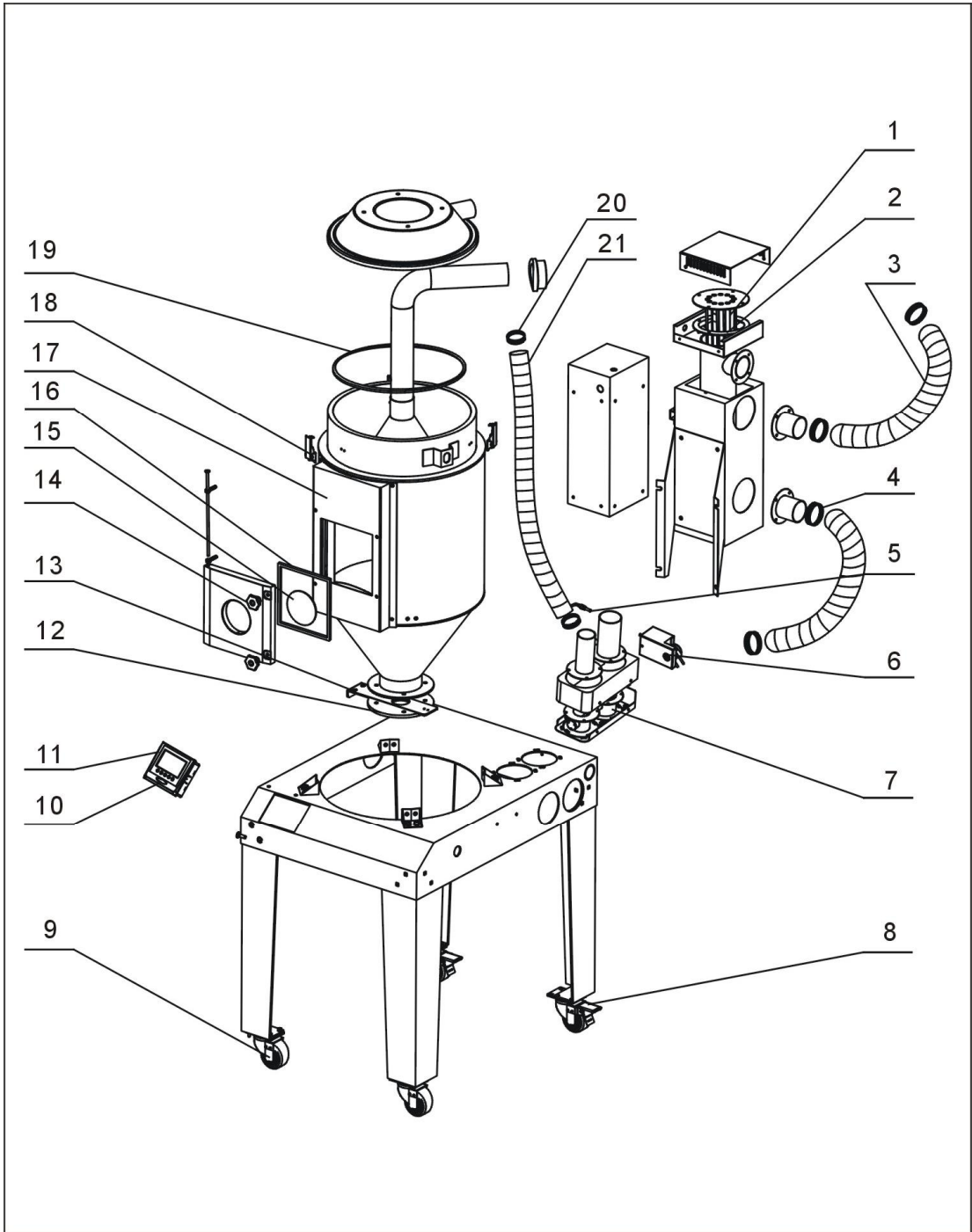
No.	Description	Part No.			
		MHD-20U	MHD-40U	MHD-80U	
1	Pipe heater*	BH70202200050	BH70400300350	BH70803900250	
2	Silica gel fastener of heating case**	YR10141100000	YR10141100000	YR10151200000	
3	Air door actuator	-	-	YE30002400000	
4	Stainless steel clamp	YW02002500000	YW02002500000	YW02002500000	
5	heat-resistant air pipe	YW72023600000	YW72023600000	YW72023600000	
6	Stainless steel clamp	-	-	YW07000300300	
7	Stainless steel clamp seal ring	-	-	YR20000300000	
8	Brake castor	YW03000300000	YW03000300000	YW03000300000	
9	Movable castor	YW03000300200	YW03000300200	YW03000300200	
10	Lamp cover	YR90441300000	YR90441300000	YR90441300000	
11	Control box	YR40400200000	YR40400200000	YR40400200000	
12	Shut-off plate	YW09125000000	YW09255000000	YW09255000000	
13	Shut-off plate flange	BA20002000210	BA20401200010	BA20401200010	
14	Sight glass	BR90204000010	BR90204000010	YW70200650000	
15	Cross handle	YW06063200000	YW06063200000	BW20012000040	
16	Sight-glass fastener*	-	-	YR10350000000	
17	Snap hook	YW09005800000	YW09005800000	YW09005800000	
18	Rack metal plate	-	-	-	
19	Airflow sensor	-	-	YE10002605000	
No.	Description	Part No.			
		MHD-120U	MHD-160U	MHD-230U	MHD-300U
1	Pipe heater*	BH70123900150	BH70160600250	BH70230600250	BH70301200150
2	Silica gel fastener of heating case**	YR10151200000	YR10161200000	YR10161200000	YR10161200000
3	Air door actuator	YE30002400000	YE30002400000	YE30002400700	YE30002400700
4	Stainless steel clamp	YW02000300000	YW02000300000	YW02003500000	YW02003500000
5	heat-resistant air pipe	YW72253600000	YW72253600000	YW72033600000	YW72033600000
6	Stainless steel clamp	YW07000300300	YW07000300300	YW07000300300	YW07000300300
7	Stainless steel clamp seal ring	YR20000300000	YR20000300000	YR20000300000	YR20000300000
8	Brake castor	YW03000300000	YW03000300000	YW03000300000	YW03000300000
9	Movable castor	YW03000300200	YW03000300200	YW03000300200	YW03000300200
10	Lamp cover	YR90441300000	YR90441300000	YR90441300000	YR90441300000
11	Control box	YR40400200000	YR40400200000	YR40400200000	YR40400200000
12	Shut-off plate	YW09255000000	YW09255000000	YW09102000000	YW09102000000
13	Shut-off plate flange	BA20401200010	BA20401200010	BA20164500010	BA20164500010
14	Sight glass	BW20012000040	BW20012000040	BW20012000040	BW20012000040
15	Cross handle	YW70200650000	YW70200650000	YW70200650000	YW70200650000

16	Sight-glass fastener*	YR10350000000	YR10350000000	YR10350000000	YR10350000000
17	Snap hook	YW09005800000	YW09005800000	YW09005800000	YW09005800000
18	Rack metal plate	-	-	-	-
19	Airflow sensor	YE10000005000	YE10000005000	YE10558805000	YE10558805000

* means possible broken parts.**means easy broken part. and spare backup is suggested.

Please confirm the version of manual before placing the purchase order to guarantee that the item number of the spare part is in accordance with the real object.

5. Assembly Drawing (MHD-450U/600U)



Remarks: Please refer to material list 6 for specific explanation of the Arabic numbers in parts drawing.

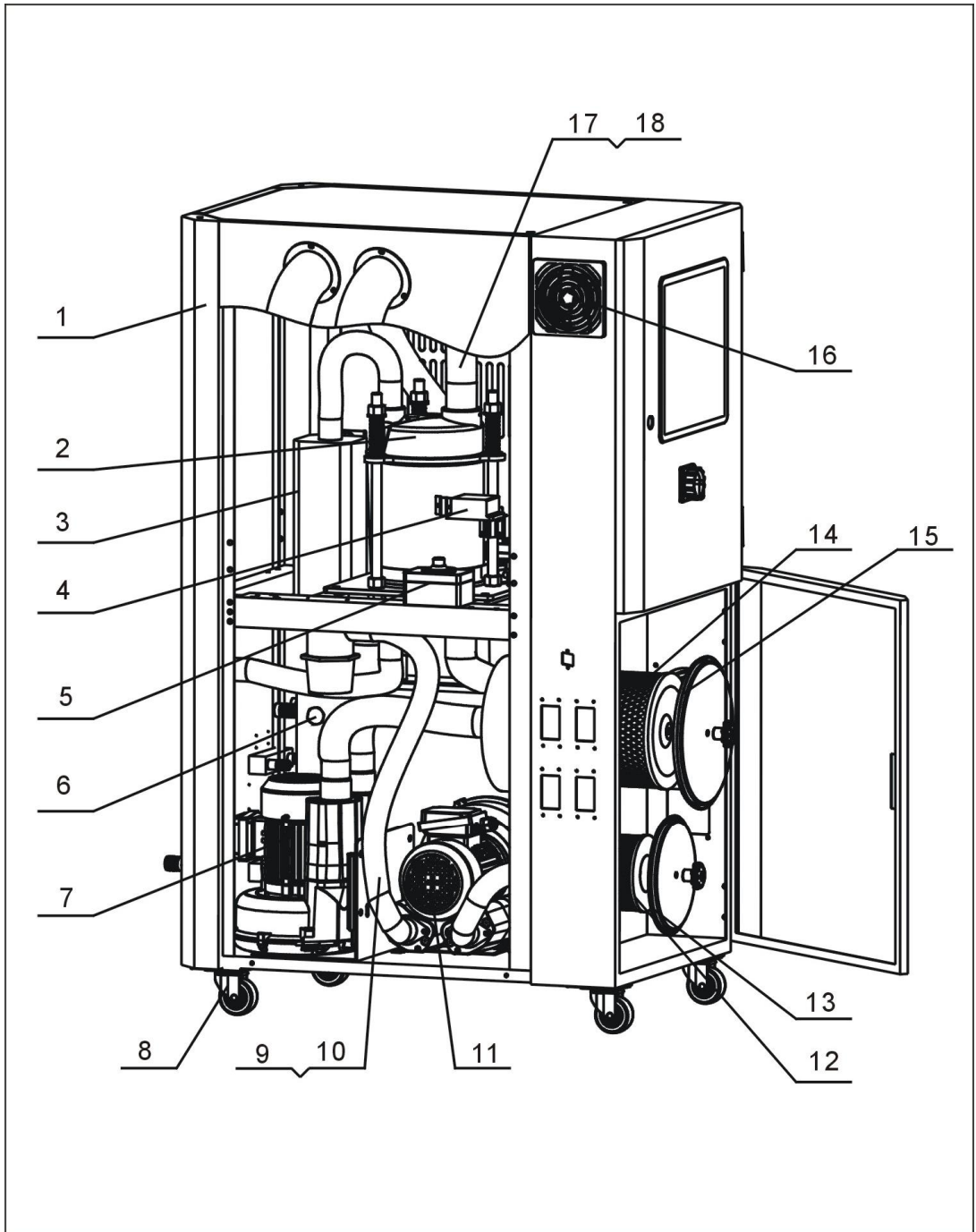
6. Parts List (MHD-450U/600U)

No.	Description	Part No.	
		MHD-450U	MHD-600U
1	Pipe heater*	BH70451200250	BH70601800250
2	Silica gel fastener of heating case**	YR10161200000	YR10607500100
3	Heat-resistant air pipe	YW72033600000	YW72043600000
4	Stainless steel clamp	YW02003500000	YW02000400000
5	Airflow sensor	YE10266500000	YE10266500000
6	Air door actuator	-	YE30242000000
7	Air door assembly	-	YW90000400500
8	Brake castor	YW03000300000	YW03000400000
9	Movable castor	YW03000300200	YW03000400200
10	Lamp cover	YR90441300000	YR90441300000
11	Control box	YR40400200000	YR40400200000
12	Shut-off plate flange	BA20164500010	BA20601200010
13	Shut-off plate	YW09102000000	YW09406000040
14	Cross handle	YW06063200000	YW06063200000
15	Sight glass	YW70406000000	YW70406000000
16	Sight-glass fastener*	YR10304540000	YR10607500000
17	Rack metal plate	-	BK02600000120
18	Snap hook	YW02003000400	YW02003000400
19	Hopper lid fastner**	YR10010040000	YR10010040000
20	Stainless steel clamp	YW02000300000	YW02003500000
21	Heat-resistant air pipe	YW72253600000	YW72033600000

* means possible broken parts.**means easy broken part. and spare backup is suggested.

Please confirm the version of manual before placing the purchase order to guarantee that the item number of the spare part is in accordance with the real object.

7. Assembly Drawing (SD-H-SM)



Remarks: Please refer to material list 8 for specific explanation of the Arabic numbers in parts drawing.

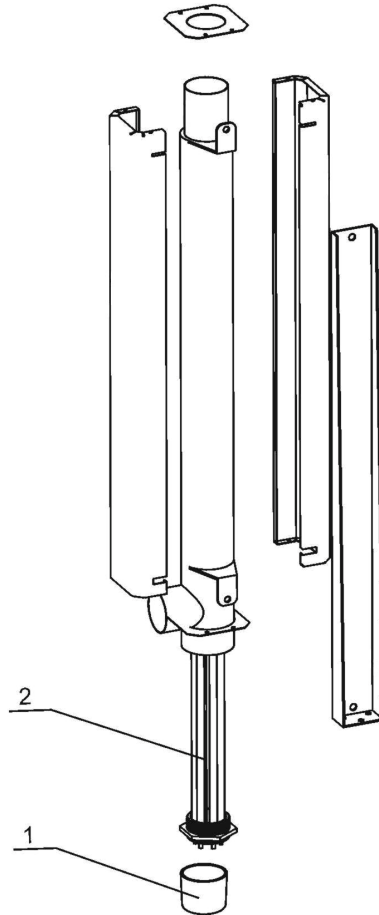
8. Parts List (SD-H-SM)

No.	Description	Part No.			
		SD-120H-SM	SD-200H-SM	SD-400H-SM	SD-700H-SM
1	Rack metal plate	-	-	-	-
2	Honeycomb assembly	-	-	-	-
3	Heating case	-	-	-	-
4	Microswitch*	YE14152400000	YE14152400000	YE14152400000	YE14152400000
5	EGO*	BH90115000050	BH90115000050	BH90115000050	BH90115000050
6	Cooler (with temp. sensor)	BW88080000020	BW88152000020	BW88030030020	BW88507000020
	Cooler	BW88008000020	BL03154040120	BW88030300020	BL03507045020
7	Drying blower*	BM30031000150	BM30042000050	BM30055000050	BM30081000050
8	Brake castor	YW03000300000	YW03000300000	YW03000400000	YW03000400000
	Movable castor	YW03000300200	YW03000300200	YW03000400200	YW03000400200
9	Heat- resistant air pipe*	YW72153600000	YW72153600000	YW72023600000	YW72253600000
10	Stainless steel pipe	YW02000200000	YW02000200000	YW02002500000	YW02000300000
11	Regenerative blower *	BM30012500050	BM30020500050	BM30031000150	BM30042000050
12	Filter **	YR50708000100	YR50708000100	YR50203000000	YR50203000000
13	Filter fastener	YR10708000100	YR10708000100	YR10080000300	YR10026000100
14	Filter **	YR50128300000	YR50203000000	YR50241400100	YR50241400100
15	Filter fastener	YR10017000000	YR50203000100	YR10026000000	YR10026000000
16	Exhaust fan **	YM60121200400	YM60121200400	YM60121200400	YM60121200400
17	Heat- resistant air pipe*	YW72023600000	YW72253600000	YW72033600100	YW72043600000
18	Stainless steel pipe	YW02002500000	YW02000300000	YW02003500000	YW02004500000

* means possible broken parts. ** means easy broken part. and spare backup is suggested.

Please confirm the version of manual before placing the purchase order to guarantee that the item number of the spare part is in accordance with the real object.

9. Pipe Heater (SD-H-SM)



Remarks: Please refer to material list 10 for specific explanation of the Arabic numbers in parts drawing.

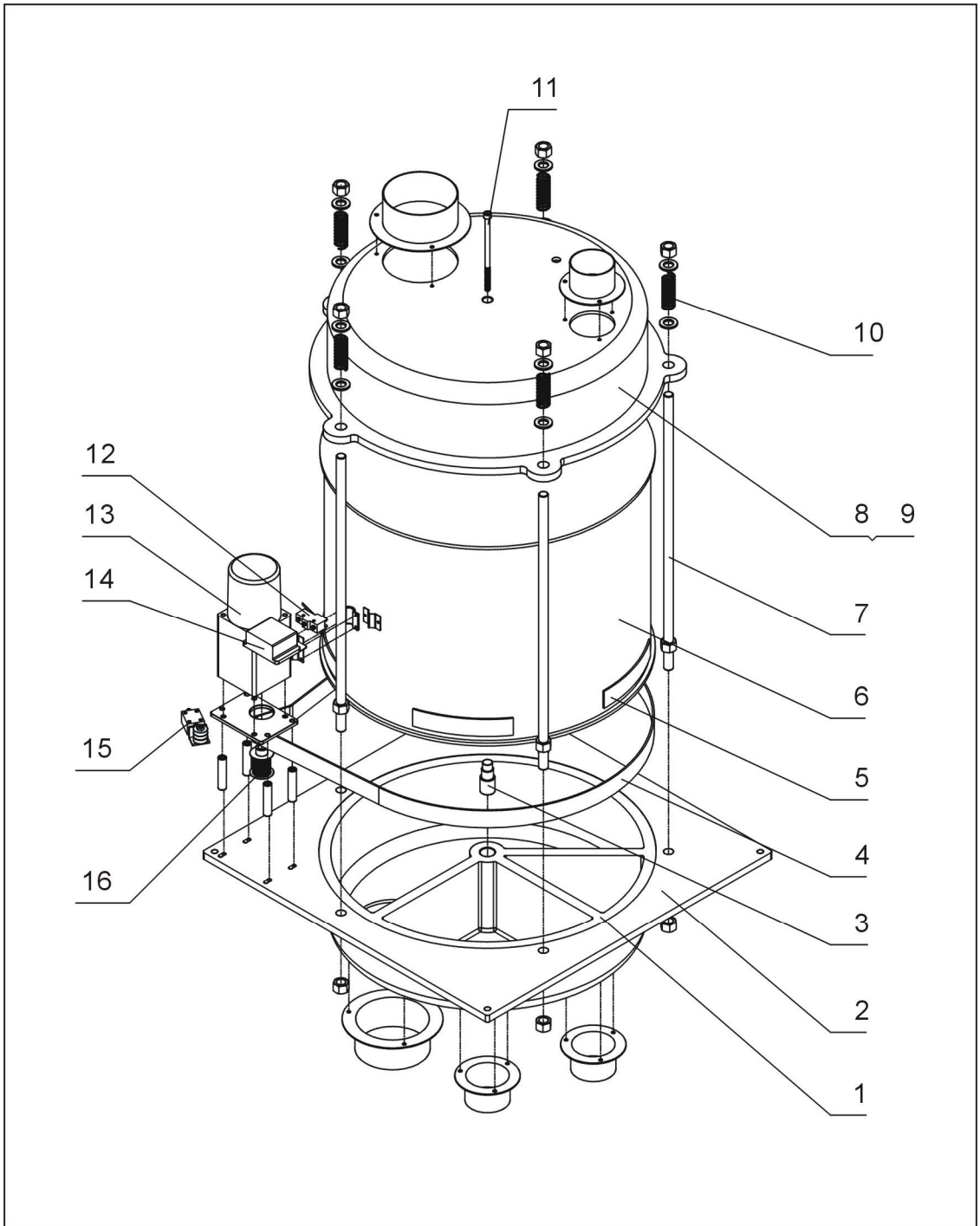
10. Parts List of Pipe Heater (SD-H-SM)

No.	Description	Part No.			
		SD-120H-SM	SD-200H-SM	SD-400H-SM	SD-700H-SM
1	Bakelite cover	YR40002000100	YR40002000100	YR40002000100	YR40002000100
2	Pipe heater*	BH70183460000	BH70150400050	BH70407200050	BH70501000050

* means possible broken parts. ** means easy broken part. and spare backup is suggested.

Please confirm the version of manual before placing the purchase order to guarantee that the item number of the spare part is in accordance with the real object.

11. Honeycomb (SD-120H~700H-SM)



Remarks: Please refer to material list 12 for specific explanation of the Arabic numbers in parts drawing.

12. Parts List of Honeycomb (SD-120H~700H-SM)

No.	Description	Part No.			
		SD-120H-SM	SD-200H-SM	SD-400H-SM	SD-700H-SM
1	Silica-gel Teflon gasket (lower)	YR10081200000	YR10152000000	YR10304000000	YR10507000000
2	Honeycomb lower cover	BA40400200010	BA40152000010	BA40304000010	BA40507000010
3	Honeycomb installation shaft	BH10005003110	BH11101300010	BH11101300010	BH11101300010
4	Synchronous belt	YR00025400000	YR00203400000	YR00304700000	YR00305800000
5	Synchronous gear belt	YR00190540000	YR00190540000	YR00003000000	YR00003000000
6	Honeycomb	YW71018000700	YW71025000700	YW71035000700	YW71440400000
7	Double-head screw	BH11100000210	BH11100000210	BH11100000210	BH11100000210
8	Honeycomb upper cover	BA40508000110	BA40152000110	BA40304000110	BA40507000110
9	Silica-gel Teflon gasket(upper)	YR10081200200	YR10152000100	YR10304000100	YR10507000100
10	Spring	YW01201800000	YW01201800000	YW01201800000	YW01201800000
11	Inner hexagon column screw M8	YW61085500000	YW61085500000	YW61086500000	YW61085500000
12	Microswitch	YE14152400000	YE14152400000	YE14152400000	YE14152400000
13	Gear motor	YM50512600000	YM50512600000	YM50512600000	YM50512600000
14	Microswitch box	YR40330900000	YR40330900000	YR40330900000	YR40330900000
15	Belt regulator	BH10004400010	BH10004400010	BH10004400010	BH10004400010
16	Synchronous belt	YW08001000100	YW08001000100	YW08001400000	YW08001400000

* means possible broken parts. ** means easy broken part. and spare backup is suggested.

Please confirm the version of manual before placing the purchase order to guarantee that the item number of the spare part is in accordance with the real object.