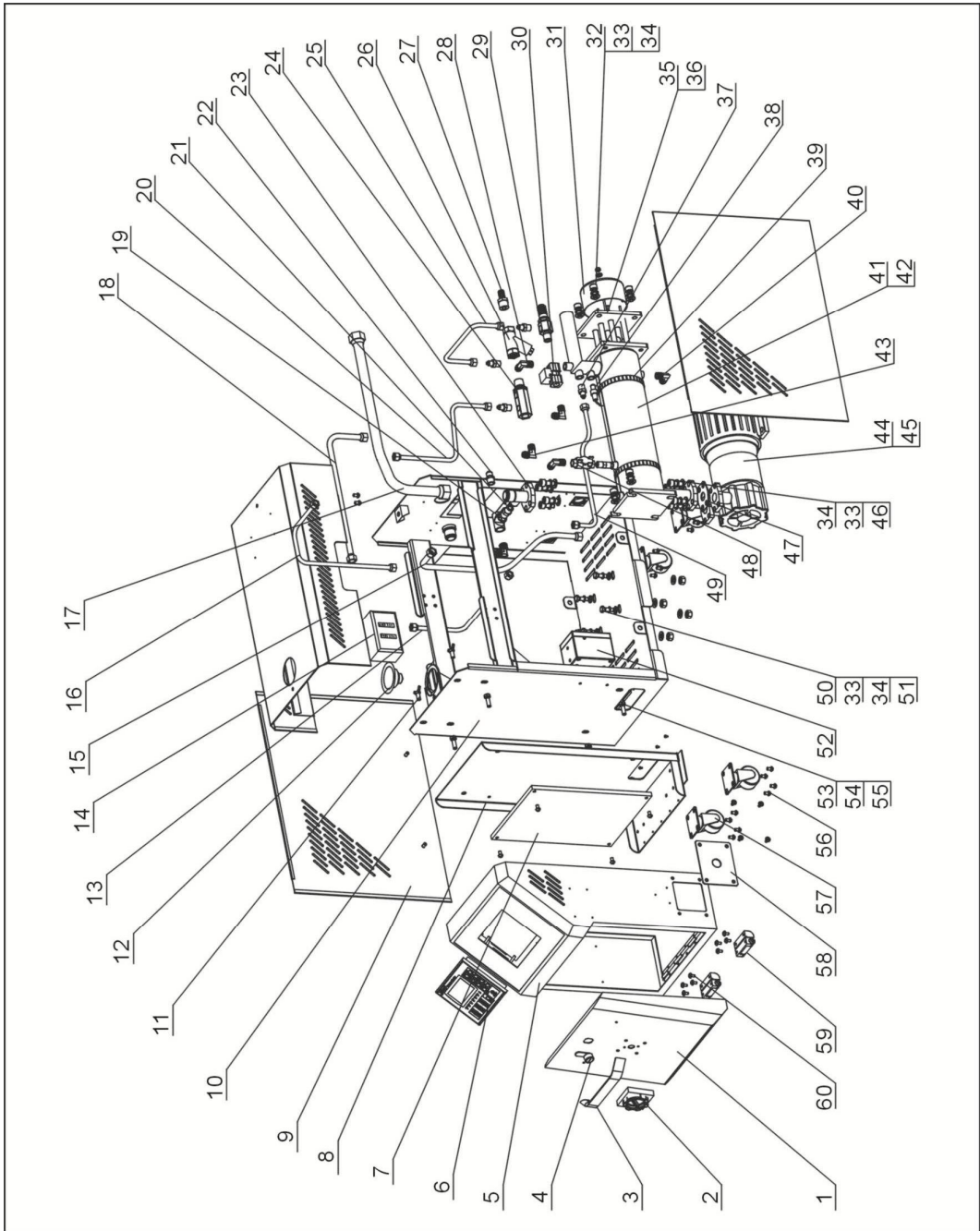


# 1. Assembly Drawing (STM-607/910MW)



Remarks: Please refer to material list 2 for specific explanation of the Arabic numbers in parts drawing.

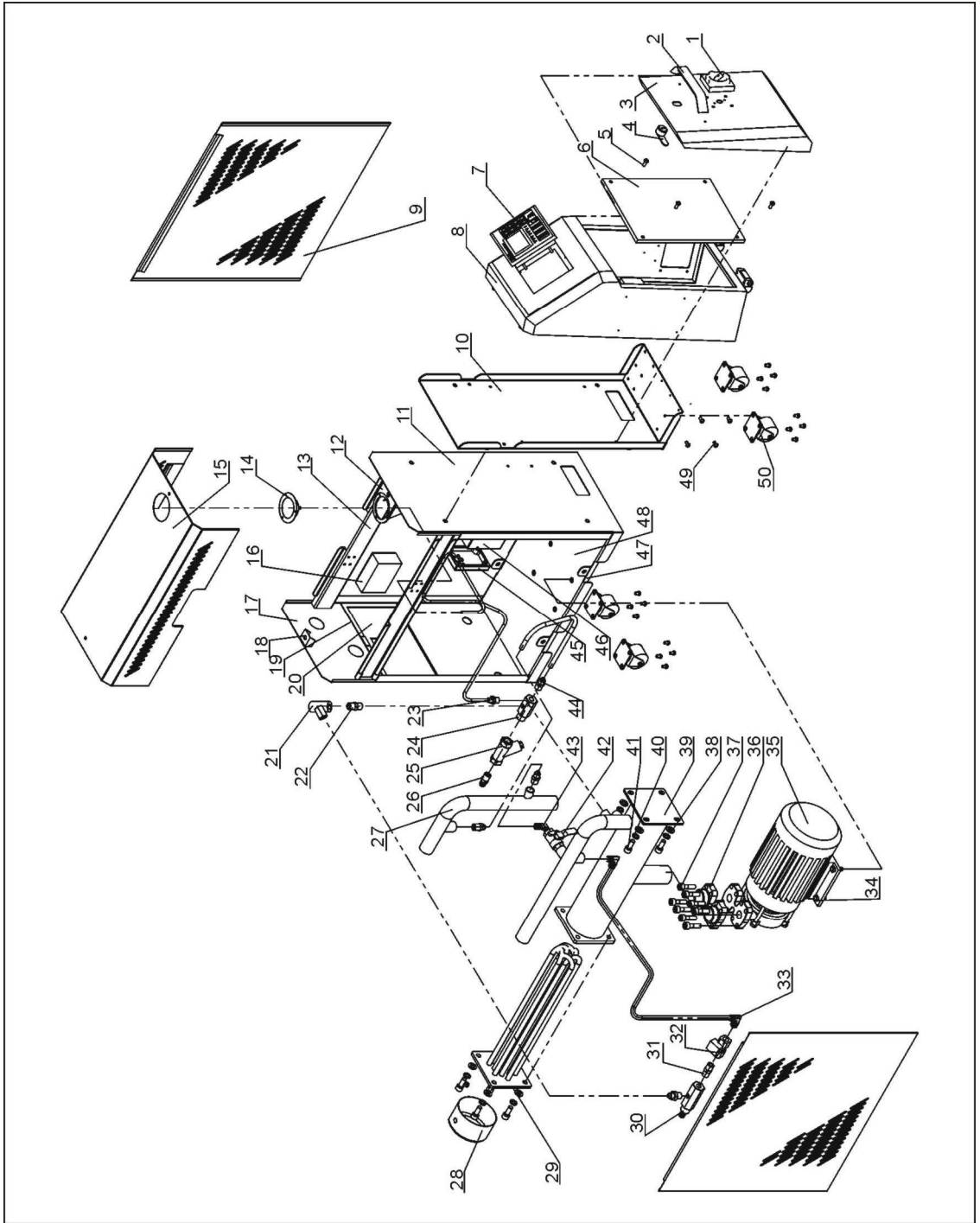
## 2. Parts List (STM-607/910MW)

No.	Name	Part No.	No.	Name	Part No.
1	Door plank	-	31	Heater cover	BL80091000120
2	Main power switch	YE10323200000	32	Socket head cap screw M10×25	YW61102500000
3	Aluminum door handle	YW20660900100	33	Spring washer 10	YW65010000000
4	Long door lock	YW00000000100	34	Flat washer 10	YW66102000000
5	Electrical control box	-	35	Heater set STM-910W(9kW)	BH70091000850
6	HANYOUNG controller	YE81100010000	36	Heater set STM-607W(6kW)	BH70060700850
7	Base plate of electric control box	-	37	Teflon pipe coupling 1/4PT×1/4H(L)	BH12010400410
8	Control box rear plate	-	38	Thermocouple	BE90341500050
9	Side plate	-	39	Stainless steel tube bundle 5 1/2"(118~140mm)	YW02501200000
10	Rack	-	40	Teflon pipe coupling 1/4PT×1/4H(L)	YW04010400400
11	Butterfly type screw M8×15	YW69081500000	41	Heating tank	-
12	Pressure gauge (0~1.0mpa)	YW85001000100	42	Heating tank	-
13	High pressure tube	-	43	Copper Teflon pipe coupling 3/8PT×3/8H(L)	YW04030800300
14	High and low pressure switch HLP830HME	YE90832500000	44	Magnetiv pump MP-100	BM20010000600
15	Teflon pipe+ coupling 3/8" ×50cm	YW59385000000	45	Magnetic pump MP-55	BM20005500950
16	Heat water by-pass valve	-	46	Socket head cap screw M10×30	YW61103000100
17	Return water pipe	-	47	Pump flange gasket	YR10150000000
18	Water refilling tube	-	48	Copper globe valve 3/8"(150℃)	YW50030800000
19	Stainless steel T joint 3/8"	YW82030800000	49	Pressure gauge tube	-
20	Low pressure tube	-	50	Hexagon bolt M10×30	YW60103000100
21	Copper nipple 3/8"	BH12030800110	51	Hexagon screw M10	YW64001000100
22	Copper Teflon pipe coupling 3/8"PT×3/8"H	BH12030800610	52	EGO	BH90115000050
23	Pump inlet connector	-	53	Socket head cap screw M8×20	YW61082000200
24	Copper connector 1	-	54	Spring washer 8	YW65008000100
25	Cold water by-pass tube	-	55	Flat washer 8	YW66082200100
26	Y type strainer 1/2"	YW57010200000	56	Flat head screw M6×15	YW63061700000
27	Copper insert M13×1/2PT	BH12131200010	57	Caster 2"	YW03000200000
28	Copper Teflon pipe coupling 1/4"PT×3/8"H(L)	BH12010400510	58	Line jig fixed plate	-
29	Copper connector 3	-	59	Big hinge CL219-1	YW06219100000
30	Solenoid valve	YE32203000900	60	Thick head screw M5×10	YW63051000000

\* means possible broken parts. \*\* means easy broken part. and spare backup is suggested.

Please confirm the version of manual before placing the purchase order to guarantee that the item number of the spare part is in accordance with the real object.

### 3. Assembly Drawing (STM-1220MW)



Remarks: Please refer to material list 4 for specific explanation of the Arabic numbers in parts drawing.

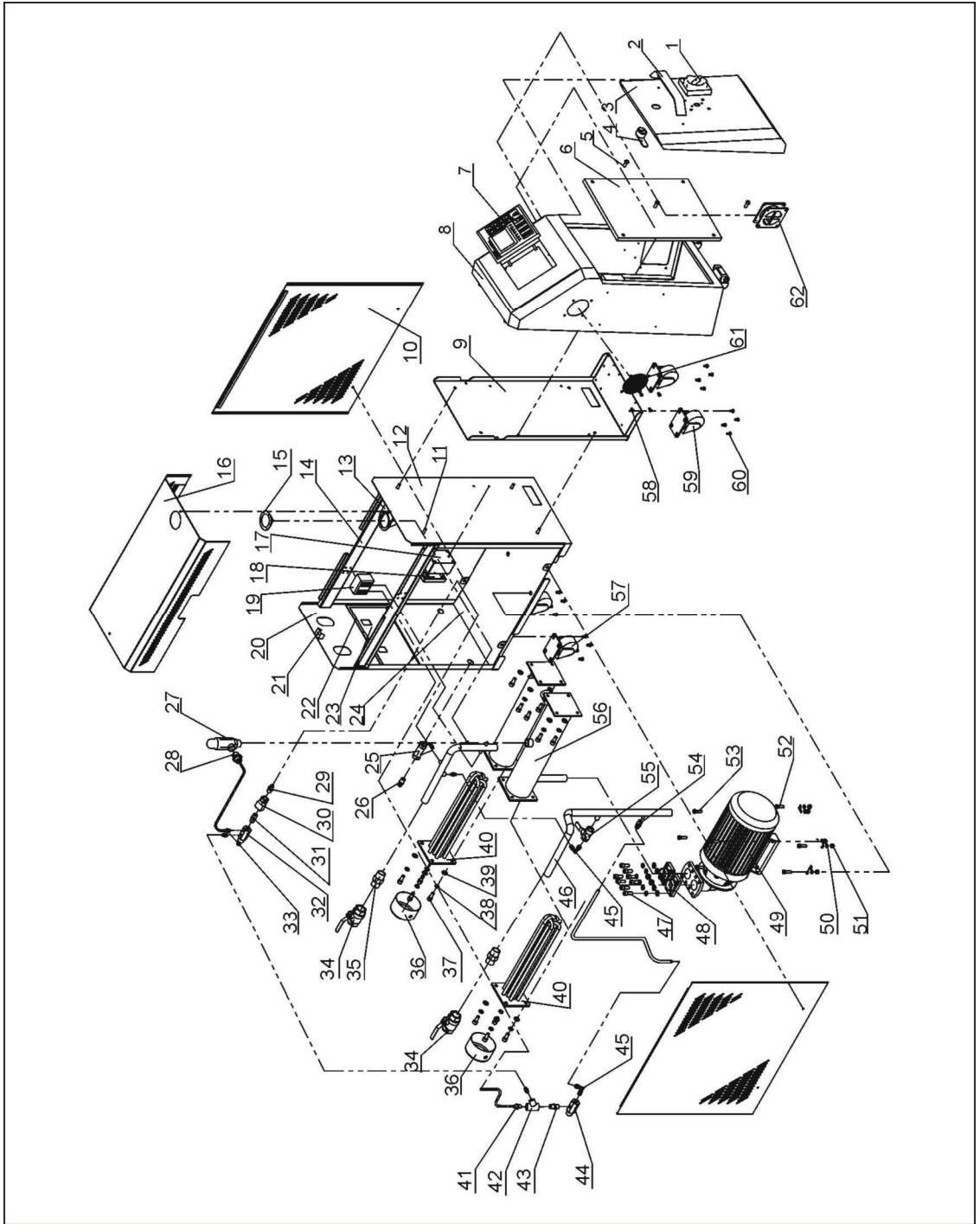
#### 4. Parts List (STM-1220MW)

No.	Name	Part No.	No.	Name	Part No.
1	Mian power switch	YE10323200000	26	Inserted core 3/8" ×M13	BH12030801110
2	Door plate handle	YW20660900100	27	Return pipe	-
3	Door plate	-	28	Heater casing	BL80091000120
4	Door lock	YW00000000100	29	Heater	BH70122001250
5	Flat head screw M6×15	YW62061500000	30	Copper contactor 3	BH12060703710
6	Base plate of the electrical cabinet	-	31	Pipe coupler 3/8"	BH12030800110
7	HANYOUNG controller	YE81100010000	32	Solenoid valve	YE32203000900
8	Electrical cabinet	-	33	Teflon pipe contactor 3/8PT×3/8H(L type)	YW04030800300
9	Side plate	-	34	Hex head screw M10×25	YW60102000100
10	Back plate of electrical cabinet	-	35	Pump MP-100	BM20010000550
11	Clapboard	-	36	Pump flange	-
12	Pressure gauge mounting plate	-	37	Socket head cap screw M10×25	YW61102500000
13	Pressure gauge	YW85001000100	38	Flat washer D10	YW66102500000
14	Beam	-	39	Heater	-
15	Cover plate	-	40	Spring washer D10	YW65010000000
16	High and low pressure switch	YE90832500000	41	Socket head cap screw M10×30	YW61103000100
17	Back plate	-	42	Globe valve 1/2"	YW50010200100
18	Tip palte	-	43	Copper Teflon contactor 1/2H×1/2PT(L type)	YW04121200000
19	Supporting plate of the cover plate on the back plate	-	44	Teflon pipe contactor 1/2PT×1/2H	BH12010200210
20	Cover plate on the back plate	-	45	EGO 1	YR40000400300
21	T joint 1/4"	YW52010400000	46	EGO 2	YR40000400300
22	Pipe coupler 1/4"	BH12010400110	47	Stiffener 1	-
23	Teflon pipe contactor 1/4PT×1/4H	BH12010400410	48	Base plate	-
24	Copper contactor 9	-	49	Falt head screw M6×10	YW62061000000
25	Y type filter 1/2"	YW57010200000	50	Caster 2"	YW03000200000

\* means possible broken parts. \*\* means easy broken part. and spare backup is suggested.

Please confirm the version of manual before placing the purchase order to guarantee that the item number of the spare part is in accordance with the real object.

## 5. Assembly Drawing (STM-2440MW)



Remarks: Please refer to material list 6 for specific explanation of the Arabic numbers in parts drawing.

## 6. Parts List (STM-2440MW)

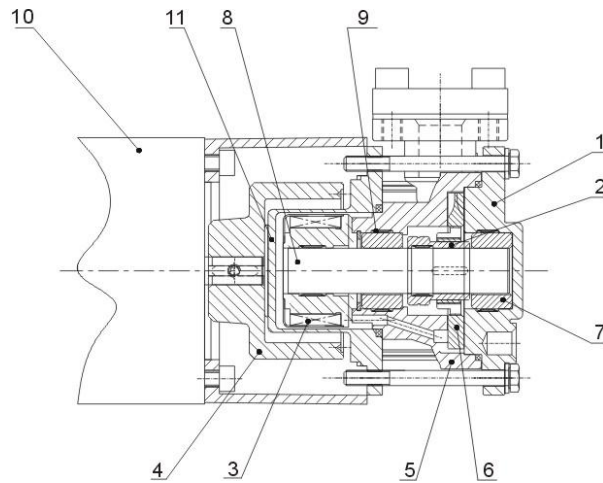
No.	Name	Part No.	No.	Name	Part No.
1	Main power switch	YE10323200000	32	Copper contactor 2	-
2	Door plate handle	YW20660900100	33	Copper outside the fluorine dragon teeth connectors 1/4PT×3/8H	BH12010400510
3	Door plate	-	34	Stainless steel globe valve 1"	YW50010000200
4	Door lock	YW00000000100	35	Stainless steel inner joint 1"	YW55001000000
5	Flat head screw M6×15	YW62061500000	36	Heater casing	BL80091000120
6	Base plate of electrical cabinet	-	37	Socket head cap screw M10×25	YW61102500000
7	HANYOUNG controller	YE81100010000	38	Spring washer D10	YW65010000000
8	Electrical cabinet	-	39	Flat washer D10	YW66102500000
9	Back plate of the electrical cabinet	-	40	Heater	BH70122001250
10	Side plate	-	41	Teflon pipe contactor 1/4PT×1/4H	BH12010400410
11	Socket head cap screw M8×15	YW60081600100	42	T connection 1/4"	YW52010400000
12	Clapboard	-	43	Pipe coupler 1/4"	BH12010400110
13	Mouning palte of pressure switch	-	44	Copper contactor 9	-
14	Beam	-	45	Teflon contactor 1/2PT×1/2H(L type)	YW04121230000
15	Pressure gauge	YW85001000100	46	Return water pipe	-
16	Cover plate	-	47	Socket head cap screw M10×25	YW61103500000
17	EGO base	YR40000400300	48	Pump flange	-
18	EGO	YR40000400300	49	Pump MP-280	BM20283300050
19	High and low pressure switch	YE900833000100	50	Flat washer D8	YW66081600000
20	Back plate	-	51	Hex nut M8	YW64080600000
21	Tip palte	-	52	Hex head screw M8×20	YW60082000200
22	Supporting plate of the back plate	-	53	Hex head screw M8×30	YW60083000100
23	Cover palte of the back palte	-	54	Teflon pipe contactor 1/2PT×1/2H	BH12010200210
24	Base palte	-	55	Copper globe valve 1/2"	YW50010200100
25	Filter valve	YW57010200000	56	Heating tank	-
26	Copper inserted core	BH12030801110	57	Bracking caster 3"	YW03000300000
27	Safety valve 7~10kg	YW05100000000	58	Flat head screw M6×10	YW63061000000
28	Copper outside the fluorine dragon teeth connectors 1/2PT×3/8H	BH12030800210	59	Movable caster 3"	YW03000300200
29	Teflon pipe contactor 3/8PT×3/8H	BH12030800610	60	Hex head screw M6×10	YW60061000000
30	Solenoid valve 3/8"	YE32203000900	61	Fan shell	YM60922500100
31	Pipe coupler 3/8"	BH12030800110	62	Fan	YM60922500100

\* means possible broken parts.

\*\* means easy broken part. and spare backup is suggested.

Please confirm the version of manual before placing the purchase order to guarantee that the item number of the spare part is in accordance with the real object.

## 7. Pump



Part Name:

- |                              |                    |                              |
|------------------------------|--------------------|------------------------------|
| 1. Pump Cover                | 2. Shaft Sleeve    | 3. Internal Magnetic Coupler |
| 4. External Magnetic Coupler | 5. Pump Body       | 6. Impeller                  |
| 7. Carborundum Bearing       | 8. Ceramic Rod     | 9. Fastener                  |
| 10. Motor                    | 11. Magnetic Cover |                              |