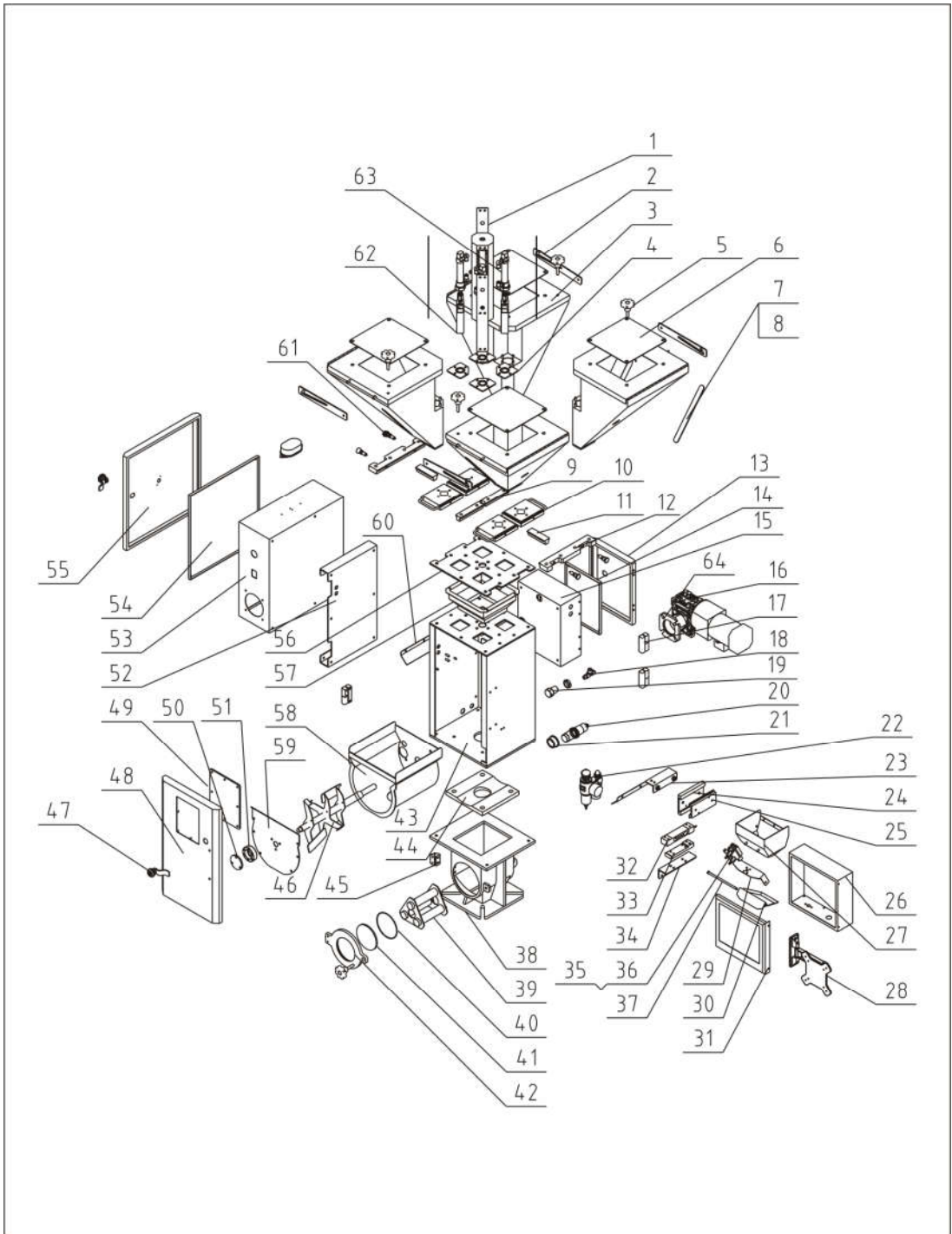


# 1. Assembly Drawing (SGB-40-4)



Remarks: Please refer to material List 2 for specific explanation of the Arabic numbers in parts drawing.

## 2. Parts List (SGB-40-4)

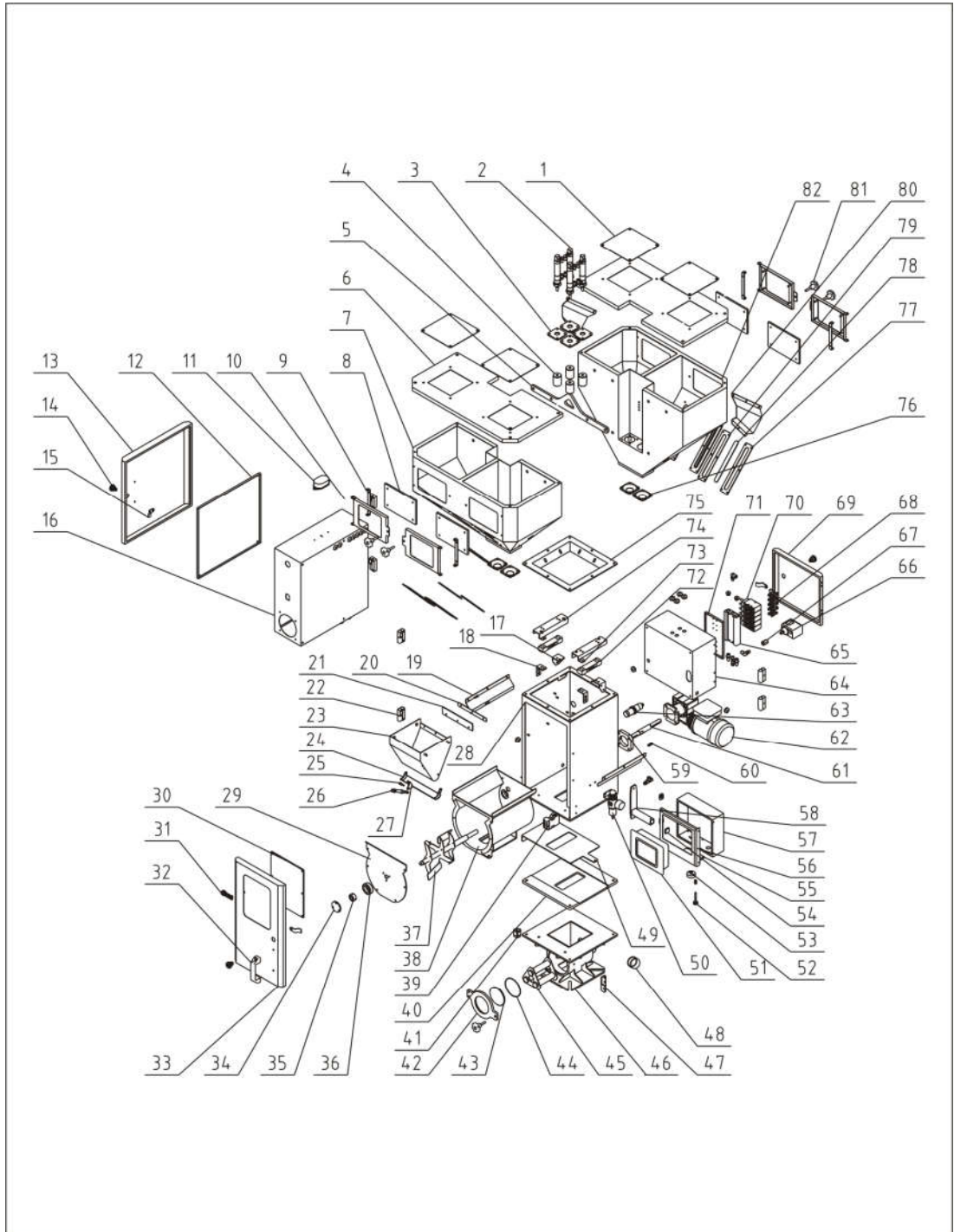
No.	Name	Part No.	No.	Name	Part No.
1	Hang ring support cover	-	33	Sensor limit block	-
2	Hopper cover supporting bars	-	34	Electronic scale fixed plate	-
3	Hopper welding	-	35	Cylinder	YE31121501000
4	Welding drawing of cylinder installation	-	36	Copper head	-
5	Star knob M8x35	YR40083500000	37	Welding drawing of shut-off plate pin	-
6	Square plate SHD-100-A-06	BW09202000000	38	Magnetic base	-
7	Visual window	-	39	Hopper magnet MR-3	BY10310000050
8	O type seal ring 106x2.65	YR20162600100	40	Magnetic base spring SHD-50	YW01005000100
9	Middle longitudinal bar of hopper	-	41	Visual window	YW70097500000
10	Welding drawing of hopper fixed plate	-	42	Magnetic base door	-
11	Middle horizontal bar of hopper	-	43	Rack welding	-
12	Right and left bar of hopper	YE83305100300	44	Fixed plate of mixing chamber	-
13	Solenoid valve cabinet door	-	45	Magnetic base hinge	BL01005020020
14	Bottom plate of solenoid valve box	-	46	Welding drawing of mixing blade	-
15	Solenoid valve	YW00000600000	47	Door key (MS816-1 black with key)	YW00816100000
16	Gear motor	YM50406000300	48	Doorframe welding drawing	-
17	Big hinge-CL203 left	YW06203100400	49	Perspective glass	-
18	Speed control fitting 1/8-φ6	YW80061800300	50	Bearing cover	-
19	Gas-blowing head	-	51	Bearing seat	-
20	Sensor K15082+EVS0	YE15508200000	52	Mounting plate of electrical box	-
21	Mounting ring of level sensor	-	53	Control cabinet	-
22	Filter & pressure regulating valve AFR-2000	YE30200020000	54	Base plate of control box	-
23	Welding drawing of weighing hopper's mounting block	-	55	Welding drawing of control box door	-
24	Bottom plate 1	-	56	Bottom plate of pressure bar	-
25	Bottom plate 1	-	57	Feeding hopper	-
26	Touch panel cabinet	-	58	Welding drawing of mixing chamber	-
27	Weighing chamber	-	59	Front cover plate of mixing chamber	-
28	Rotary support NBL100-S	YR90052400000	60	Material fender of mixing chamber	-
29	Mounting plate of weighing chamber cylinder	-	61	Segmented positioning column (with card lock)	-
30	Welding drawing of weighing chamber's shut-off plate	-	62	Welding drawing of rotary valve	-
31	Touch panel cabinet cover	-	63	Cylinder	YE31205000000
32	Weighing sensor CZL607-6KG wire length 1.5m	YE15061500100	64	Gear box mounting flange	YW09004001200

\* means possible broken parts.

\*\* means easy broken part. and spare backup is suggested.

Please confirm the version of manual before placing the purchase order to guarantee that the item number of the spare part is in accordance with the real object.

### 3. Assembly Drawing (SGB-200-4)



Remarks: Please refer to material List 4 for specific explanation of the Arabic numbers in parts drawing.

## 4. Parts List (SGB-200-4)

No.	Name	Part No.	No.	Name	Part No.
1	Square plate 200×200	YW09202000000	39	Inserted switch	YE16147600100
2	Metering valve cylinder *	YE31256010000	40	Manual shut-off plate bearer	-
3	Metering valve cylinder mounting plate	-	41	Magnetic base hinge	BL01005020020
4	Metering valve welding	-	42	Magnetic base door	-
5	Hanger plate	-	43	Tempered glass400~600kg	YW70406000000
6	Hopper cover	-	44	Magnetic base spring	YW01040000000
7	Hopper welding	-	45	Hopper magnet	BY10310000050
8	Acrylic plate of clearance door	-	46	Magnetic base welding	-
9	Clearance door trim strip	-	47	Magnetic base fittings	-
10	Clearance door	-	48	Discharge pipe cap	-
11	Alarm light	YE83305100300	49	Manual shut-off plate	-
12	Electric mounting plate	-	50	Filter & pressure regulating valve	YE30421400000
13	Electric cabinet door	-	51	Touch panel	YE80002400000
14	Short circuit gate lock	YW00000600000	52	Bolt	YW69461600000
15	Separation blade of door lock	YW00040600000	53	Touch panel cabinet supporting block	-
16	Electric cabinet	-	54	Sprue	-
17	gravimetric sensor mounting plate	-	55	Touch panel cabinet base plate	-
18	gravimetric sensor fixing plate	-	56	Touch panel cabinet cover	-
19	Mixing tank material fender	-	57	Touch panel cabinet	-
20	Gravimetric hopper material fender trim strip	-	58	Touch panel support frame	-
21	Gravimetric hopper material fender	-	59	Mixing motor bearer	-
22	Big hinge (left)	YW06203100400	60	Mixer shaft connecting key	-
23	Gravimetric hopper welding	-	61	Mixing motor shaft	-
24	Gravimetric hopper shut-off plate welding	-	62	Gear motor	YM50406000300
25	Shut-off cylinder screw	-	63	Sensor*	YE15508200000
26	Gravimetric hopper cylinder	-	64	Solenoid valve	-
27	Shut-off plate cylinder mounting block	-	65	Junction plate PRS-1/8-3	YW82180500000
28	Body welding	-	66	Barometric switch	YE90000800000
29	Mixing tank cover	-	67	Barometric switch changeover nut	-
30	Machine door acryl	-	68	Air pipe quick coupling	YW80061800200
31	Aluminum Shini trademark 81×31	YP30813100100	69	Solenoid valve cabinet door	-
32	Aluminum handle 120L	BW20012000040	70	Solenoid valve * MFH-5-1/8-B	YE32051800100
33	Door welding	-	71	Solenoid valve mounting plate	-
34	Bearing cover	-	72	Gravimetric sensor * LPS-6kg	YE15000600000
35	Self aligning ball bearing	YW09220200000	73	Gravimetric hopper supporting block washer	-
36	Bearing seat	-	74	Gravimetric hopper supporting block	-
37	Paddle welding	-	75	Storage hopper mounting plate	-
38	Mixing tank welding	-	76	Discharge port of main metering valve	-

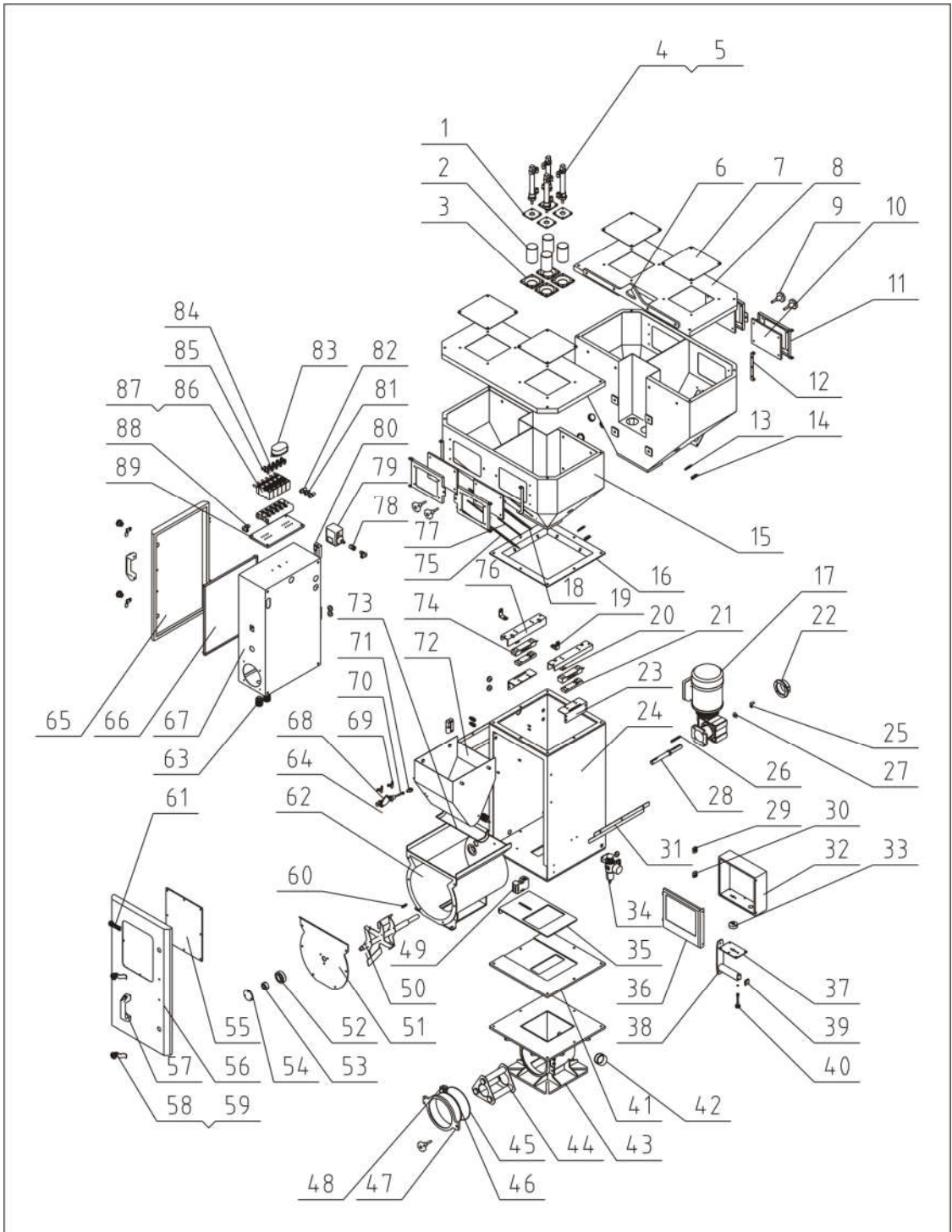
77	Sight-glass sheet iron (six holes)	YW09000600000	80	Air pipe cover	
78	Acryl (six holes)	YR40001200000	81	Star knob B type M8×35	YR40083500000
79	Sight-glass sheet iron (six holes)	YR40000600000	82	Hooper welding	

\* means possible broken parts.

\*\* means easy broken part. and spare backup is suggested.

Please confirm the version of manual before placing the purchase order to guarantee that the item number of the spare part is in accordance with the real object.

### 3. Assembly Drawing (SGB-600-4)



Remarks: Please refer to material List 4 for specific explanation of the Arabic numbers in parts drawing.

#### 4. Parts List (SGB-600-4)

No.	Name	Part No.	No.	Name	Part No.
1	Metering valve cylinder mounting plate	-	40	Bolt	-
2	Main metering valve welding	-	41	Shut-off plate at the bottom bearer	-
3	Discharge port of main metering valve	-	42	Discharge pipe cap	-
4	Air pipe quick coupling APL6-1/8	YW80061800200	43	Base welding	-
5	Metering valve cylinder	YE31208000000	44	Hopper magnet	BY10340000050
6	Hanger plate	-	45	Magnetic base spring	YW01040000000
7	Square plate 200×200	YW09202000000	46	Tempered glass 400~600kg	YW70406000000
8	Hopper cover	-	47	Base door plate	-
9	Star knob B type M8×35	YR40083500000	48	Magnetic base hinge	BL01005020020
10	Clearance glass acryl	-	49	Inserted switch	YE16147600100
11	Clearance glass door	-	50	Paddle welding	-
12	Clearance glass supporting bars	-	51	Mixing tank cover	-
13	Material level sensor choke plug screw M30×1.5	YR30301500000	52	Bearing seat	-
14	Material level sensor choke plug	BR30008400050	53	Bearing cover	YW09220200000
15	Hopper welding	-	54	Self aligning ball bearing	-
16	Hopper mounting plate	-	55	Door acryl	-
17	Gear motor	YM50505000300	56	Door plate welding	-
18	Sight-glass packing (six holes)	YR40000600000	57	Aluminum square handle 120L	BW20012000040
19	Sensor protective linking block	-	58	Separation blade of door lock	YW00040600000
20	Gravimetric hopper supporting block washer	-	59	Short gate lock	YW00000600000
21	Sensor bearer	-	60	Mixer shaft connecting key	-
22	Sense switch mounting plate welding	-	61	Aluminum Shini trademark 81×31 high stickiness	YP30813100100
23	Gravimetric hopper supporting plate	-	62	Mixing tank welding	-
24	Rack welding	-	63	Cable gland PG13.5	YE67013500000
25	Driven detector of mixing motor	-	64	Shut-off plate cylinder screw	-
26	Flat key C6×6×60	BH10646000010	65	Control cabinet door plate	-
27	Flat washer 8×22	YW66082200100	66	Electric elements mounting plate	-
28	Mixing motor shaft	-	67	Control cabinet	-
29	Small hinge (right)	YW06203400000	68	Shut-off plate cylinder mounting block	-
30	Small hinge (left)	YW06203400100	69	Throttle valve	YW81050400000
31	Fender	-	70	Shut-off plate cylinder	YE31162500000
32	Touch panel cabinet	-	71	Y type pin rod	YE31001000000
33	Touch panel cabinet supporting block	-	72	Gravimetric hopper welding	-
34	Filter & pressure regulating valve	YE30421400000	73	Gravimetric hopper shut-off plate welding	-
35	Shut-off plate at the bottom	-	74	Gravimetric sensor	YE15001500000
36	Touch panel cabinet cover	-	75	Sight-glass sheet iron (six holes)	YW09000600000
37	Touch panel cabinet base plate	-	76	Gravimetric hopper supporting plate	-
38	Touch panel support frame	-	77	Acryl (six holes)	YR40001200000



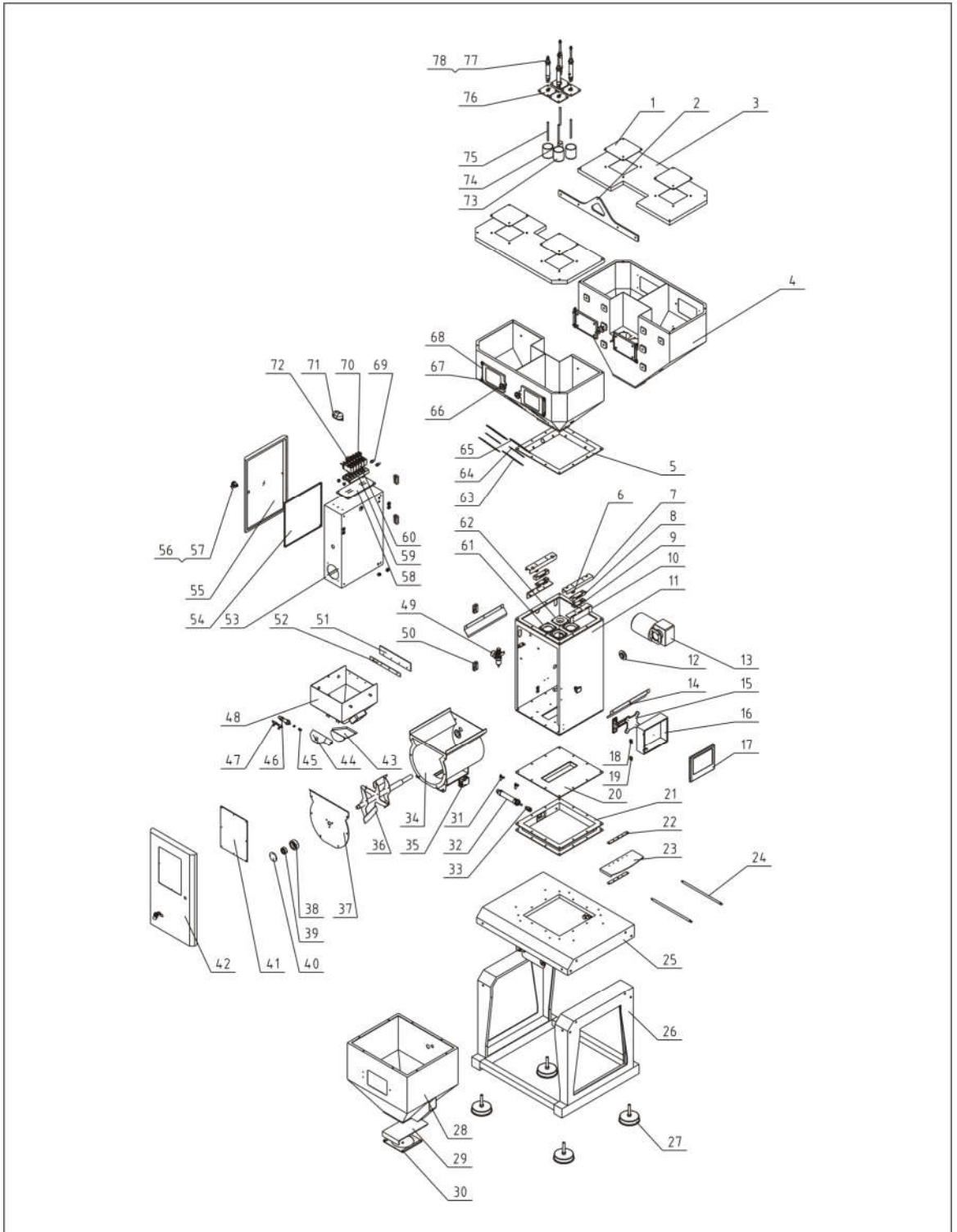
78	Barometric switch changeover nut	-	84	Air pipe quick coupling APC6-1/8	YW80061800100
79	Barometric switch	YE90000800000	85	Air pipe quick coupling APL4-1/8	YW80041800000
80	Hinge (left)	YW06203100400	86	Solenoid valve* -5-1/8-B	YE32051800100
81	Air pipe quick coupling APC8-1/4	YW80081400000	87	Junction plate PRS-1/8-5	YW82180500000
82	Copper muffler	YW80010400100	88	Air pipe quick coupling APL8-1/4	YW80081400100
83	Alarm light	YE83305100300	89	Pneumatic elements mounting plate	-

\* means possible broken parts.

\*\* means easy broken part. and spare backup is suggested.

Please confirm the version of manual before placing the purchase order to guarantee that the item number of the spare part is in accordance with the real object.

## 5. Assembly Drawing (SGB-1200)



Remarks: Please refer to material List 6 for specific explanation of the Arabic numbers in parts drawing.

## 6. Parts List (SGB-1200)

No.	Name	Part No.	No.	Name	Part No.
1	Square plate	BW09202000000	38	Bearing block	-
2	Hanger plate	-	39	bearing 2204E-2RS1TN9	YW11220400000
3	Hopper cover	-	40	Bearing cap	-
4	Hopper welding	-	41	Machine door Acryl	-
5	Hopper fixed plate	-	42	Welding drawing of machine door	-
6	Support block gasket of weighing hopper	-	43	Shut-off plate welding	-
7	Support block of weighing hopper	-	44	Shut-off plate supporting block	-
8	Gravimetric sensor 15kg	YE15001500000	45	Weighing copper head	-
9	Sensor bearer	-	46	Cylinder DSNU-20-25-P-A	YE31205000000
10	Weighing sensor mounting plate	-	47	Speed regulating connector Φ6-1/8	YW80061800300
11	Rack welding	-	48	Gravimetric hopper welding	-
12	Mounting plate of air pipe connector	-	49	Filter & pressure regulating valve	YE30200020000
13	Gear motor NMRV-050-0.5KW	YM50505000300	50	Big hinge(Left)	YW06203100400
14	Mixing tank material fender	-	51	Material fender	-
15	NB LCD rotary support	YR90052400000	52	Fender trim strip	-
16	Touch panel cabinet	-	53	Electric cabinet	-
17	Touch panel cabinet cover	-	54	Electrical component's mounting plate	-
18	Small hinge(Right)	YW06203400000	55	Electric cabinet door	-
19	Big hinge(Left)	YW06203400100	56	Separation blade of door lock	YW00040600000
20	Discharge valve upper cover welding	-	57	Short gate lock	YW00000600000
21	Pneumatic discharge valve welding	-	58	Solenoid valve mounting plate	-
22	Shut-off plate bearer	-	59	Junction plate PRS-1/8-6BBT	YW82180600000
23	Pneumatic discharge valve shut-off plate	-	60	Solenoid valve MFH-5-1/8-B	YE32051800100
24	Discharge valve guide	-	61	Discharge port of main metering valve	-
25	Floor stand cover	-	62	Discharge port of sub-metering valve	-
26	Floor stand welding	-	63	Sight-glass sheet iron (six holes)	YW09000600000
27	Shock eliminator (M16x147)	YW80061800300	64	Acrylic (six holes)	YR40001200000
28	Welding drawing of floor stand storage tank	-	65	Sight-glass packing(six holes)	YR40000600000
29	Storage tank shut-off plate	-	66	Star knob B type M×35	YR40083500000
30	Storage tank base plate	-	67	Clear material door	-
31	Speed regulating connector Φ6-1/8	YW80061800300	68	Pressure bar of clear material door	-
32	Cylinder DSNU-32-100-P-A	YE31321000000	69	Silencer 1/4"	YW80010400000
33	Y type pin rod SG-M10×1.25	YE31001000000	70	Air pipe quick coupling APL-8-1/4	YW80081400100
34	Mixing tank welding	-	71	Alarm light	YE83305100300
35	Inserted switch	YE16147600100	72	Air pipe quick coupling APL-6-1/8	YW80061800200

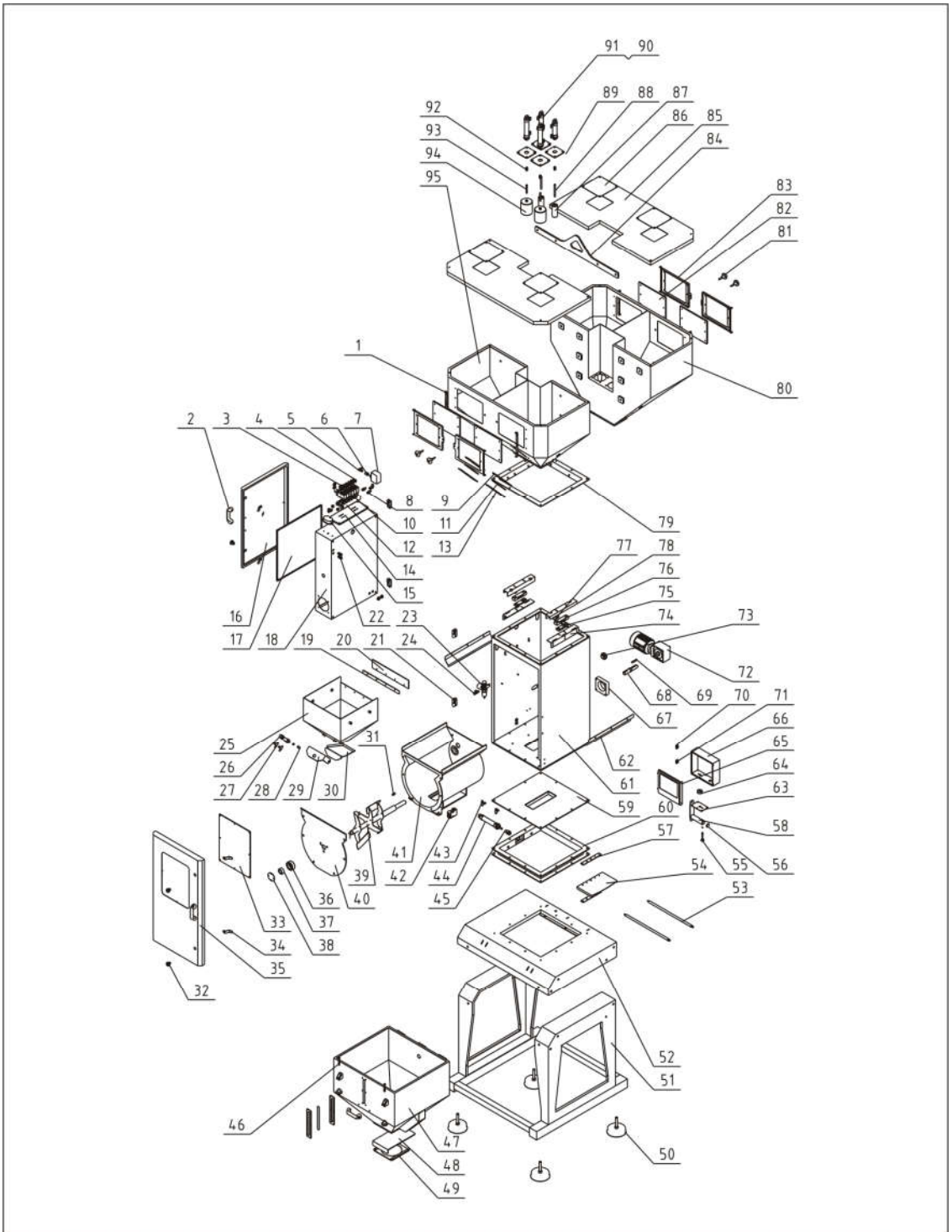
36	Blender welding	-	73	Welding drawing of main metering valve	-
37	Mixing tank cover	-	74	Sub metering valve	-
75	Connecting rod of metering valve	-	77	Air pipe quick coupling APL-6-1/8	YW80061800200
76	Mounting plate of metering valve's cylinder	-	78	Cylinder DSNU-25-80	YE31250800000

\* means possible broken parts.

\*\* means easy broken part. and spare backup is suggested.

Please confirm the version of manual before placing the purchase order to guarantee that the item number of the spare part is in accordance with the real object.

## 9. Assembly Drawing (SGB-2000-4)



Remarks: Please refer to material List 10 for specific explanation of the Arabic numbers in parts drawing.

## 10. Parts List (SGB-2000-4)

No.	Name	Part No.	No.	Name	Part No.
1	Clearance glass supporting bars	-	41	Mixing tank welding	-
2	Aluminum handle (M6)	BW20012000040	42	Inserted switch	YE16147600100
3	Air pipe quick coupling APL-6-1/8	YW80061800200	43	Speed regulating connector Φ6-1/8	YW80061800300
4	Air pipe quick coupling APL-6-1/8	YW80061800100	44	Cylinder DSNU-32-100-P-A	YE31321000000
5	Air pipe quick coupling APL-8-1/4	YW80081400100	45	Y type pin rod SG-M10×1.25	YE31001000000
6	Barometric switch changeover nut	-	46	Star bolt 5/16	YW09051600100
7	Low pressure switch controller (0~8kg)	YE90000800000	47	Storage tank welding	-
8	Muffler 1/4"(M/S2)	YW80010400000	48	Storage tank shut-off plate	-
9	Sight-glass packing (six holes)	YR40000600000	49	Storage tank base plate	-
10	Solenoid valve * MFH-5-1/8-B	YE32051800100	50	Shock eliminator (M16×20)	YW03162000000
11	Acryl (six holes)	YR40001200000	51	Floor stand welding	-
12	Junction plate PRS-1/8-6BBT	YW82180600000	52	Floor stand cover welding	-
13	Sight-glass sheet iron (six holes)	YW09000600000	53	Discharge valve guide	-
14	Solenoid valve mounting plate	-	54	Discharge valve shut-off plate	-
15	Alarm light	YE83305100300	55	Bolt	-
16	Electric cabinet door	-	56	Sprue	-
17	Electric mounting plate	-	57	Shut-off plate bearer	-
18	Electric cabinet	-	58	Touch panel cabinet supporting frame	-
19	Fender trim strip	-	59	Discharge valve cover welding	-
20	Material fender	-	60	Pneumatic discharge valve welding	-
21	Big hinge (left)	YW06203100400	61	Rack welding	-
22	Plate type air pipe coupling QSS-6	YW80000600000	62	Mixing tank material fender	-
23	Filter & pressure regulating valve	YE30421400000	63	Touch panel cabinet base plate	-
24	Air pipe quick coupling SPD8-1/4	YW80801400000	64	Touch panel cabinet supporting block	-
25	Gravimetric hopper welding	-	65	Touch panel cabinet cover	-
26	Cylinder DSNU-20-25-P-A	YE31205000000	66	Touch panel cabinet	-
27	Speed regulating connector Φ6-1/8	YW80061800300	67	Mixing motor bearer	-
28	Weighing copper head	-	68	Mixing motor shaft	-
29	Shut-off plate supporting block	-	69	Flat key C8×55	-
30	Shut-off plate welding	-	70	Small hinge (right)	YW06203400000
31	Mixer shaft key	-	71	Small hinge (left)	YW06203400100
32	Short gate lock	YW00006000000	72	Gear motor	YM50505000300
33	Front door acryl	-	73	Material level sprue	-
34	Separation blade of door lock	YW00040600000	74	Sensor supporting plate	-
35	Front door welding	-	75	Sensor bearer	-
36	Bearing seat	-	76	Gravimetric sensor 15kg	YE15001500000
37	Bearing 2204E-2RS1TN9	YW11220400000	77	Gravimetric hopper supporting block washer	-
38	Bearing cover	-	78	Gravimetric hopper supporting block	-
39	Paddle welding	-	79	Hopper fixing plate	-
40	Mixing tank cover	-	80	Hopper welding	-

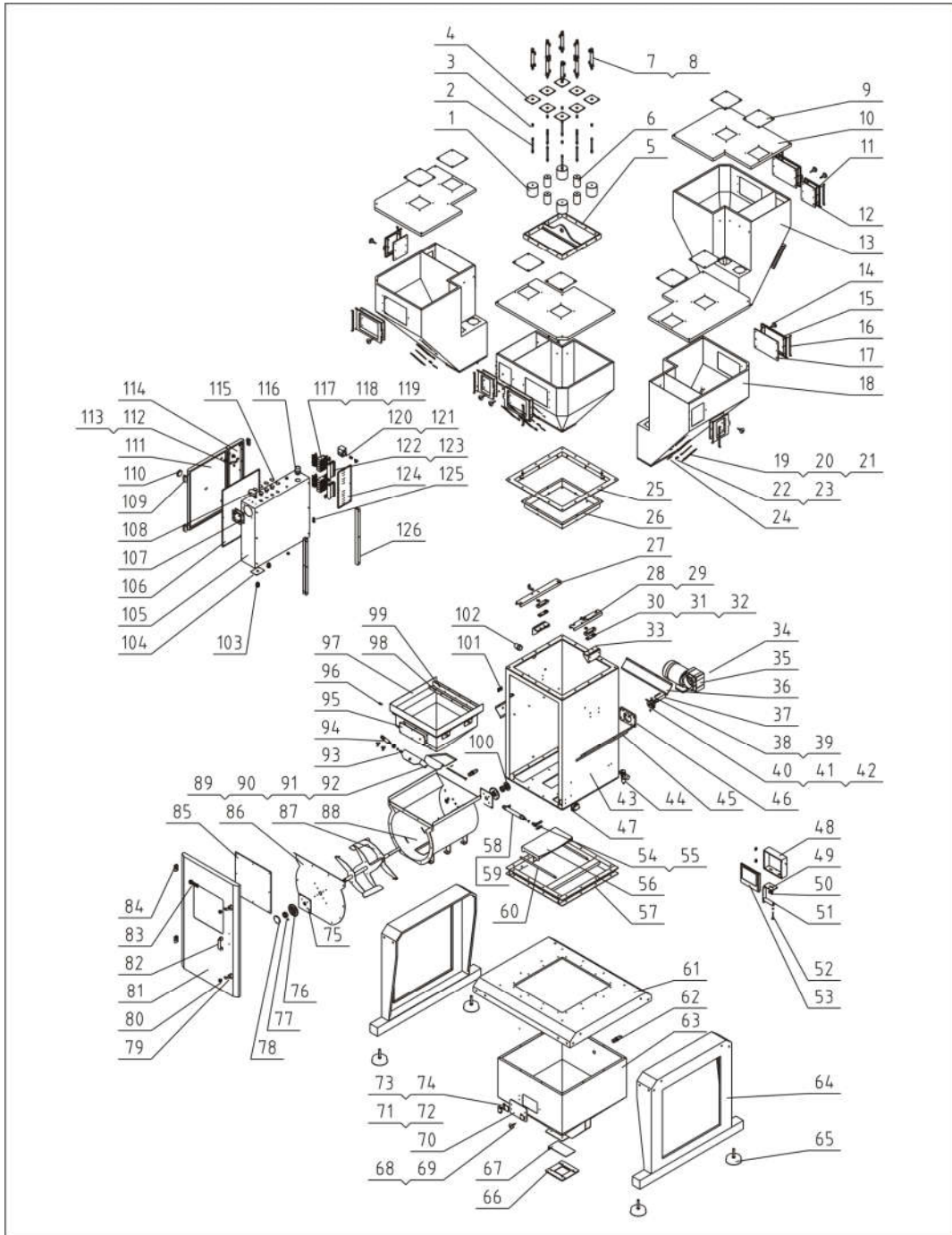
81	Star knob B type M×35	YR40083500000	89	Discharge valve cylinder mounting plate	-
82	Clearance glass acryl	-	90	Cylinder DSNU-32-60-P-A	YE31326010000
83	Clearance glass door	-	91	Air pipe quick coupling APL-6-1/8	YW80061800200
84	Hanger plate	-	92	Discharge valve connecting nut	-
85	Hopper cover	-	93	Main discharge valve connecting rod	-
86	Square plate 200×200	YW09202000000	94	Main discharge welding	-
87	Second discharge valve welding	-	95	Hopper welding	-
88	Second discharge valve connecting screw	-			

\* means possible broken parts.

\*\* means easy broken part. and spare backup is suggested.

Please confirm the version of manual before placing the purchase order to guarantee that the item number of the spare part is in accordance with the real object.

# 11. Assembly Drawing (SGB-3000-8)



Remarks: Please refer to material List 12 for specific explanation of the Arabic numbers in parts drawing.



## 12. Parts List (SGB-3000-8)

No.	Name	Part No.	No.	Name	Part No.
1	Main metering valve	-	40	Shaft coupler * DYL0-63-25-63	YW11632500000
2	Metering valve connection shaft	-	41	Set screw M10×7	YW68080500000
3	Shut-off valve connection nut	-	42	Flat key C8×28	BH11860000010
4	Metering valve mounting plate	-	43	SGB Main body	-
5	Hanger welding	-	44	Filter & pressure regulating valve * AFR-2000	YE30200020000
6	Sub metering valve welding	-	45	Right & left material fender	-
7	Cylinder * DSNU-25-100-P-A	YE31250100000	46	Mixing motor bearer	-
8	Air pipe quick coupling APL6-1/8	YW80061800200	47	Door security switch *	YE16147600100
9	Hopper cover lid	YW09202000000	48	Touch panel cabinet	-
10	Hopper cover	-	49	Touch panel cabinet base plate	-
11	Second clearance glass door	-	50	Touch panel cabinet supporting block	-
12	Second clearance glass acryl	-	51	Touch panel cabinet support frame	-
13	Main hopper welding	-	52	Bolt	-
14	Star knob	YR40083500000	53	Touch screen cabinet cover	-
15	Main clearance glass door	-	54	Shut-off plate bearer	-
16	Clearance glass supporting bar	-	55	Y type pin rod * SG-M10×1.25	YE31001000000
17	Main clearance glass acryl	-	56	Discharge valve shut-off plate	-
18	Side hopper	-	57	Discharge valve welding	-
19	Sight-glass sheet iron (six holes)	YW09000600000	58	Cylinder * DSNU-32-150-P-A	YE31321500000
20	Acryl (six holes)	YR40001200000	59	Speed regulating connector 1/8-Φ6	YW80067800300
21	Sight-glass packing (six holes)	YR40000600000	60	Discharge valve guide	-
22	Material level sensor choke plug	BR3000840050	61	Floor stand cover	-
23	Material level sensor choke plug plastic nut	YR30301500000	62	Sensor * KI5082-BNKG	YE15508200000
24	SGB hopper aluminum round Logo	YP31003300400	63	Storage tank welding	-
25	Hopper mounting plate	-	64	Right & left floor stand	-
26	Discharge port	-	65	Shock eliminator M16×147mm	YW03162000000
27	Weighing pan left supporting bar	-	66	Shut-off plate bearer	-
28	Weighing pan right supporting bar	-	67	Storage tank shut-off plate	-
29	Gravimetric sensor protective block	-	68	Star knob B M8×35	YR40083500000
30	Gravimetric sensor * 50kg	YE15060101100	69	Triangle linking block	-
31	Sensor washer	-	70	Storage tank clearance glass acryl	-
32	Sensor bearer	-	71	Square linking block	-
33	Gravimetric sensor supporting base	-	72	Cross recess head screw M5×10	YW62051000100
34	Washer	-	73	Storage hopper hinge bearer	-
35	Gear motor	YM50755000700	74	Big hinge CL219-1	YW06219100000
36	Back fender	-	75	Mixing tank reinforcement plate	-
37	Mixing motor shaft	-	76	Bearing seat	-
38	Flat key C8×20	BH11860000010	77	Self aligning ball bearing *	YW11220500000

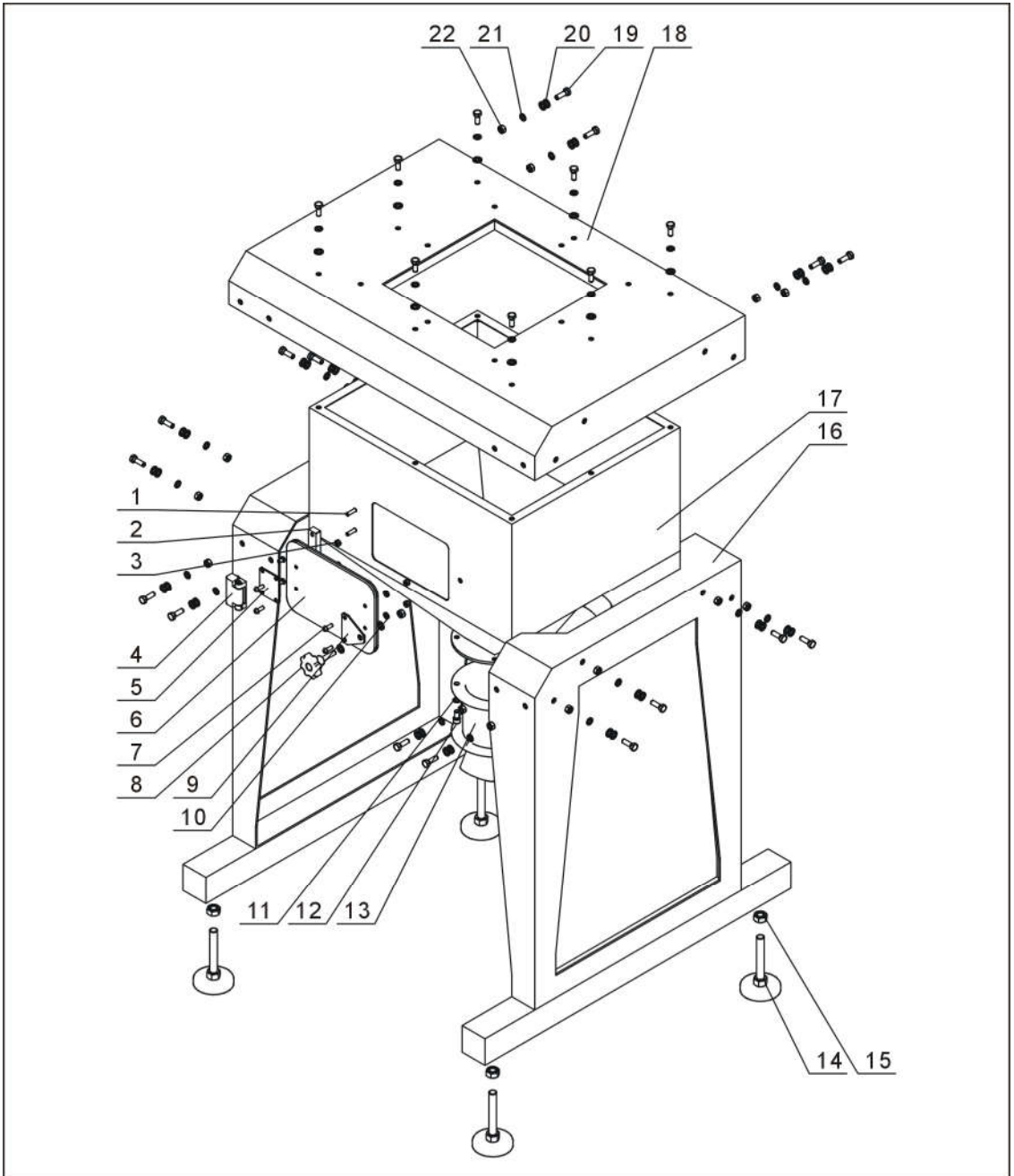
39	Flat key C8×70	BH10292860010	78	Front bearing cap	-
79	Door lock fender	-	103	Cable gland PG13.5	YE67013500000
80	Long door lock	YW00000600000	104	Wire clamp mounting plate	-
81	Door welding	-	105	Control box	-
82	Aluminum handle 120L	BW20012000040	106	Electric elements mounting plate	-
83	Aluminum Shini trademark 121×50	YP30121500100	107	Exhaust fan 12×12cm	YM60121200400
84	Hinge (Big) left	YW06203100400	108	Alarm light LTE-3051	YE83305100300
85	Door acryl	-	109	Big hinge (right) CL203-1	YW06203100200
86	Mixing tank cover	-	110	Main power switch	YE10021160000
87	Paddle welding	-	111	Electric elements cabinet door	-
88	Mixing tank welding	-	112	Short door lock	YW00000600000
89	Shut-off plate mounting block	-	113	Separation blade of door lock	YW00040600000
90	Shut-off plate welding	-	114	Solenoid valve cabinet door	-
91	Shut-off plate pin welding	-	115	Control cabinet cover	-
92	Cotter pin Φ2.5×30	YW09253000000	116	I-type elbow	YE67423600000
93	Shut-off plate copper head	-	117	Solenoid valve * MFH-5-1/8-B	YE32051800100
94	Cylinder * DSNU-25-60-P-A	YE31256010000	118	Copper muffler 1/4*	YW80010400100
95	Weighing pan acryl	-	119	Air pipe quick coupling APL8-1/4	YW80081400100
96	Copper cylinder	-	120	Barometric switch *	YE90000800000
97	Gravimetric hopper	-	121	Barometric switch changeover nut	-
98	Fender trim strip	-	122	Junction plate	YW82180500000
99	Material fender	-	123	Air pipe quick coupling APC8-1/4	YW80081400000
100	Back bearing cap	-	124	Solenoid valve mounting plate	-
101	Plate type air pipe coupling QSS6	YW80000600000	125	Rubber plug (big)	YR30000000100
102	L type elbow	YE67423600100	126	Control cabinet supporting bar	-

\* means possible broken parts.

\*\* means easy broken part. and spare backup is suggested.

Please confirm the version of manual before placing the purchase order to guarantee that the item number of the spare part is in accordance with the real object.

### 13. Assembly of Floor Stand



Remarks: Please refer to material List 14 for specific explanation of the Arabic numbers in parts drawing.

## 14. Assembly of Floor Stand Parts List

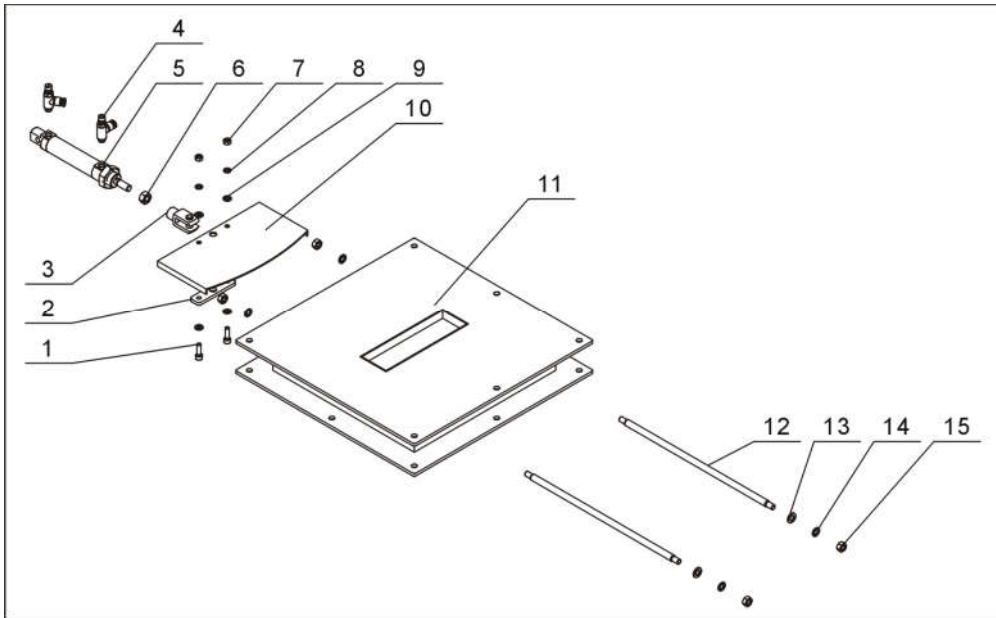
No.	Name	Part No.	
		SGB-200	SGB-600
1	Socket head cap screw M6×25	YW61062500000	YW61062500000
2	Storage hopper hinge bearer	-	-
3	Nut M6	YW64000600100	YW64000600100
4	Big hinge CL219-1	YW06219100000	YW06219100000
5	Square linking block	-	-
6	Clearance glass acryl	-	-
7	Cross recess head screw M6×15	YW62061500000	YW62061500000
8	Star knob B type M8×35	YR40083500000	YR40083500000
9	Triangle linking block	-	-
10	Flat washer 6	YW66061200000	YW66061200000
11	Spring washer 6	YW65006000100	YW65006000100
12	Socket head cap screw M6×16	YW61061600300	YW61061600300
13	European type suction box SBU-20-38S	BY10203801150	BY10203801150
14	Shock eliminator M14×75	YW03147500000	YW03147500000
15	Hex nut M14	YW64001400200	YW64001400200
16	Floor stand welding	-	-
17	Storage tank welding	-	-
18	Floor stand cover welding	-	-
19	Bolt M8×25	YW60082500200	YW60082500200
20	Flat washer 8	YW66081600000	YW66081600000
21	Spring washer 8	YW65008000100	YW65008000100
22	Hex nut M8	YW64000800300	YW64000800300

\* means possible broken parts.

\*\* means easy broken part. and spare backup is suggested.

Please confirm the version of manual before placing the purchase order to guarantee that the item number of the spare part is in accordance with the real object.

## 15. Pneumatic Discharge Valve Assembly



Remarks: Please refer to material List 16 for specific explanation of the Arabic numbers in parts drawing.

## 16. Parts List of Pneumatic Discharge Valve

No.	Name	Part No.	
		SGB-200	SGB-600
1	Socket head cap screw M6×20	YW61062000000	YW61062000000
2	Discharge plate bearer	-	-
3	Y type pin rodsg-M10×1.25	YE31001000000	YE31001000000
4	Speed regulating connector 1/8-Φ6	YW80061800300	YW80061800300
5	Cylinder * DSNU-25-60-P-A	YE31256010000	YE31256010000
6	Hex nut M10×1.25	YW64101200400	YW64101200400
7	Hex nut M6	YW64000600100	YW64000600100
8	Spring washer 6	YW65006000000	YW65006000000
9	Flat washer 6	YW66061300000	YW66061300000
10	Shut-off plate guide rod	-	-
11	Pneumatic discharge valve welding	-	-
12	Shut-off plate guide rod	-	-
13	Flat washer 8	YW66081600000	YW66081600000
14	Spring washer 8	YW65008000100	YW65008000100
15	Hex nut M8	YW61000800200	YW61000800200

\* means possible broken parts. \*\*means easy broken part and spare backup is suggested.

Please confirm the version of manual before placing the purchase order to guarantee that the item number of the spare part is in accordance with the real object.