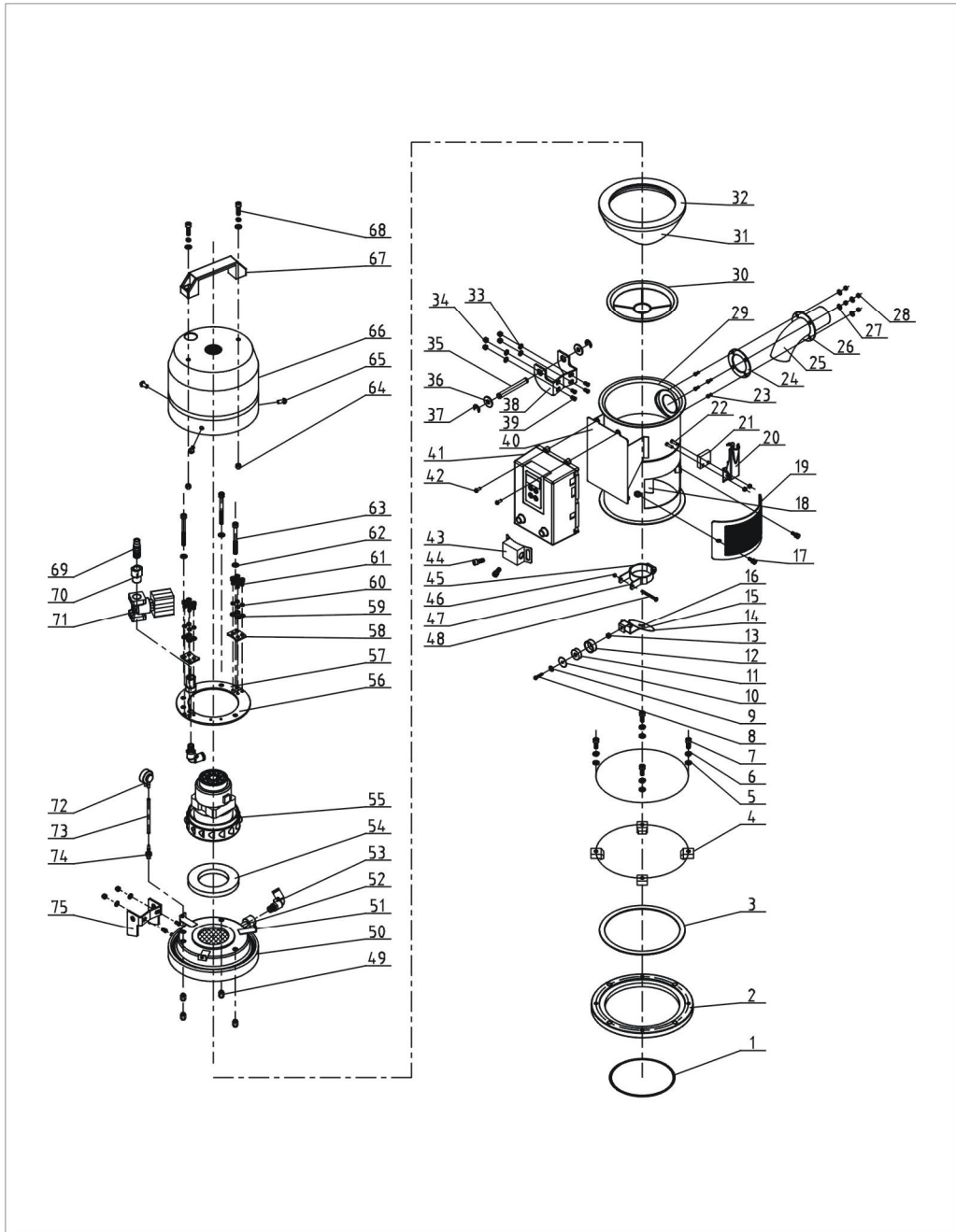


1. Assembly Drawing (SAL-1U)

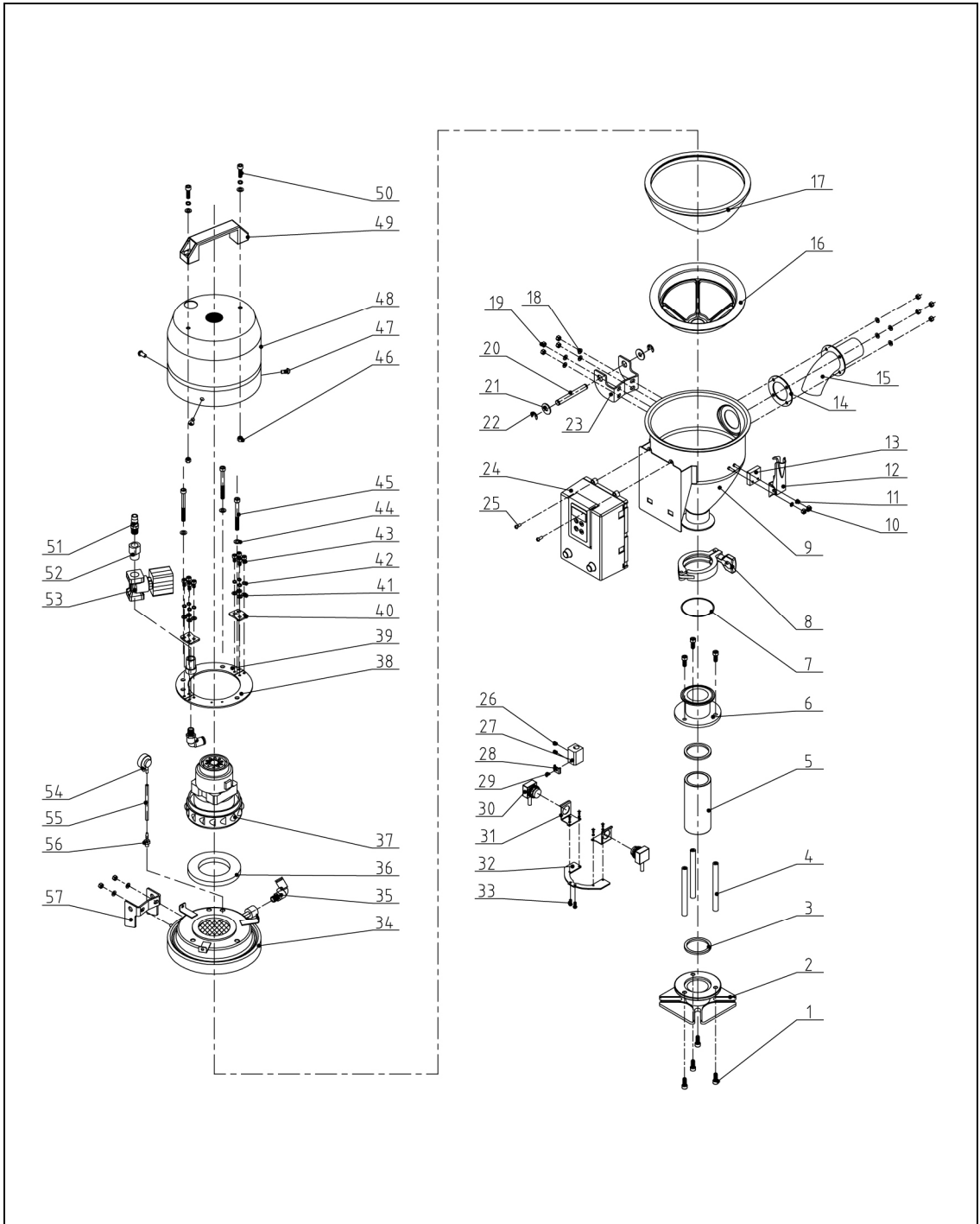


Remarks: Please refer to material list 2 for specific explanation of the numbers in assembly drawing.

2. Parts List (SAL-1U)

No.	Name	Part No.	No.	Name	Part No.
1	O-Type seal ring	YR20205500000	39	Welding screw M5×10	YW69051000000
2	Base	YW20001500110	40	Control box base	-
3	Base ring	-	41	Control box	YR40030600000
4	Pressure block	YW20000600500	42	Cross socket head cap screw M4×6	YW63040600000
5	Flat washer Φ6×13	YW66061300000	43	Sensor shell	-
6	Spring washer M6	YW65006000000	44	Inner hexagon screw	YW61061000100
7	Inner hexagon screw M6×15	YW61061600300	45	Shut-off plate fixing base	-
8	Cross socket head cap screw	YW63032500000	46	Locknut M3	YW64000300000
9	Flat washer 3×10	YW66031000000	47	Shut-off plate fixing base	-
10	Flat washer 3×12	YW66031200000	48	Cross socket head cap screw M3×40	YW63034000000
11	Permanent magnet	YW90213700000	49	Mini-countersunk rivet screw M6	YW64060200000
12	Magnet shield	BH12115000010	50	Hopper cover	-
13	Locknut M3	YW64000300000	51	Blower fixing base	BH10063200040
14	Shut-off plate*	BL21001501920	52	Reverse clean pipe	-
15	Connection block for shut-off plate	-	53	Air pipe quick connector	YW80083800200
16	Lentil head screw	YW09250500000	54	Blower ring	-
17	Star knob M6×15	YR40061500000	55	Carbon brush motor *	YM30122250000
18	Discharge port	-	56	Fixed board 2	-
19	Ventilation window	YR40000600500	57	Fixed board 1	-
20	Snap hook	YW02003000400	58	Fixed board 3	-
21	Pad	YR40000600300	59	Flat washer 5	YW66051000100
22	Welding screw M4×15	YW69041500100	60	Spring washer 5	YW65050000000
23	Welding screw M4×10	YW69041000000	61	Inner hexagon screw	YW61051200100
24	Material inlet pipe fastener	YR10150300000	62	Flat washer 6	YW66061300000
25	Material inlet pipe	BL32333600020	63	Inner hexagon screw	YW61065000100
26	Fixing plate for material inlet pipe	-	64	Locknut	YW64000600200
27	Flat washer 4	YW66040800000	65	Cross socket head cap screw	YW62051500000
28	Locknut M4×0.7	YW64040700100	66	Blower cover	-
29	Material storage tank	-	67	Square aluminum handle	BW20012000040
30	Split washer of filter cloth **	-	68	Inner hexagon screw	YW61062000300
31	Hop-pocket**	BP82000100040	69	Quick connector	YW80031400000
32	Hopper ring*	YR10104000000	70	Connector 3	-
33	Flat washer 5	YW66051000100	71	Solenoid valve *	YE32213100000
34	Locknut M5	YW64000500000	72	Pressure switch	YE16028000000
35	Hinge pin	BH10006003110	73	Blue air pipe	YR60060400000
36	Flat washer 8×22	YW66082200100	74	Pressure switch connector	BH11103000010
37	E-rings 6	YW63051000000	75	upper hinge	BL32000600240
38	Down hinge	BL32000600140			

3. Assembly Drawing (SAL-1U-E)



Remarks: Please refer to material list 4 for specific explanation of the numbers in parts drawing.

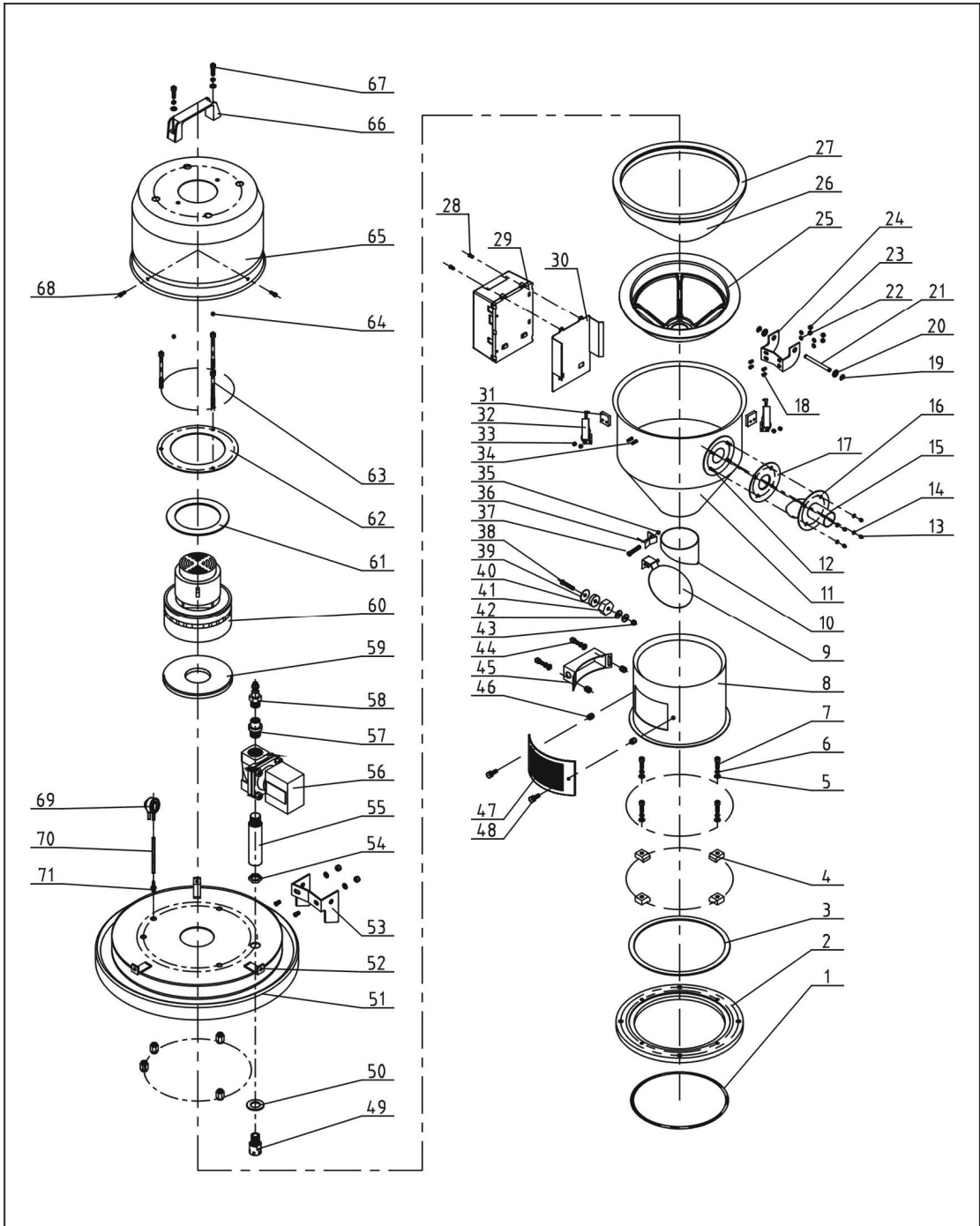
4. Parts List (SAL-1U-E)

No.	Name	Part No.	No.	Name	Part No.
1	Inner hexagon screw M6×15	YW61061600300	30	Photosensor	YE15143900300
2	Glass pipe down flange	YW32000300000	31	Photosensor mounting block	-
3	Glass pipe ring	YW61061600300	32	Photosensor fixing plate	BL90001000120
4	Flange connection shaft	BH10101100010	33	Cross socket head cap screw M4×10	YW63041000000
5	Glass pipe**	YW70504000000	34	Mini-countersunk rivet screw M6	YW64060200000
6	Glass pipe upper flange	BW32000300210	35	Hopper cover	BL22001500821
7	Base ring	YR10000300200	36	Blower cover fixing base	-
8	Stainless steel pipe clamp	YW07002500600	37	Reverse clean pipe	YM30122250000
9	Material storage tank	BL21001502320	38	Fixing plate 2	-
10	Locknut M4×0.7	YW64040700100	39	Fixing plate 1	-
11	Flat washer 4	YW66040800000	40	Fixing plate 3	-
12	Snap hook **	YW02003000400	41	Flat washer 5	YW66051000100
13	Block	YR40000600300	42	Spring washer 5	YW65050000000
14	Material inlet pipe ring	YR10150300000	43	Inner hexagon cylinder head screw	YW61051200100
15	Material inlet pipe	BL32333600020	44	Flat washer 6	YW66061300000
16	Filter cloth split washer**	YR40001500100	45	Inner hexagon screw M6×50	YW61065000100
17	Hop-pocket**	BP82001500044	46	Locknut M6	YW64000600200
18	Flat washer 5	YW66051000100	47	Cross socket head cap screw M5×15	YW62051500000
19	Locknut M5	YW64000500000	48	Blower cover	-
20	Hinge pin	BH10006003110	49	Square aluminum handle L120	BW20012000040
21	Flat washer Φ8×22	YW66082200100	50	Inner hexagon screw M6×20	YW61062000300
22	E rings 6	YW63051000000	51	Quick connector 3" ×1/4PT	YW80031400000
23	Down hinge	BL32000600120	52	Connector 3	BH13031100010
24	Control box	YR40030600000	53	Solenoid valve	YE32213100000
25	Cross socket head cap screw M4×6	YW63040600000	54	Pressure switch	YE16028000000
26	Set screw M4×5	YW63040600000	55	Blue air pipe	YR60060400000
27	Photosensor fixing base	BL21001502420	56	Pressure switch connector	BH11103000010
28	Pressure block of photosensor	BL21061600020	57	Upper hinge	BL32000600240
29	Cross socket head cap screw M4×10	YW63041000000			

* means possible broken parts. ** means easy broken parts. A spare backup is suggested.

Please confirm the version of manual is compatible with equipment before placing the purchase order to guarantee that the item number of the spare part is in accordance with the real object.

5. Assembly Drawing (SAL-3U)



Remarks: Please refer to material list 6 for specific explanation of the numbers in parts drawing.

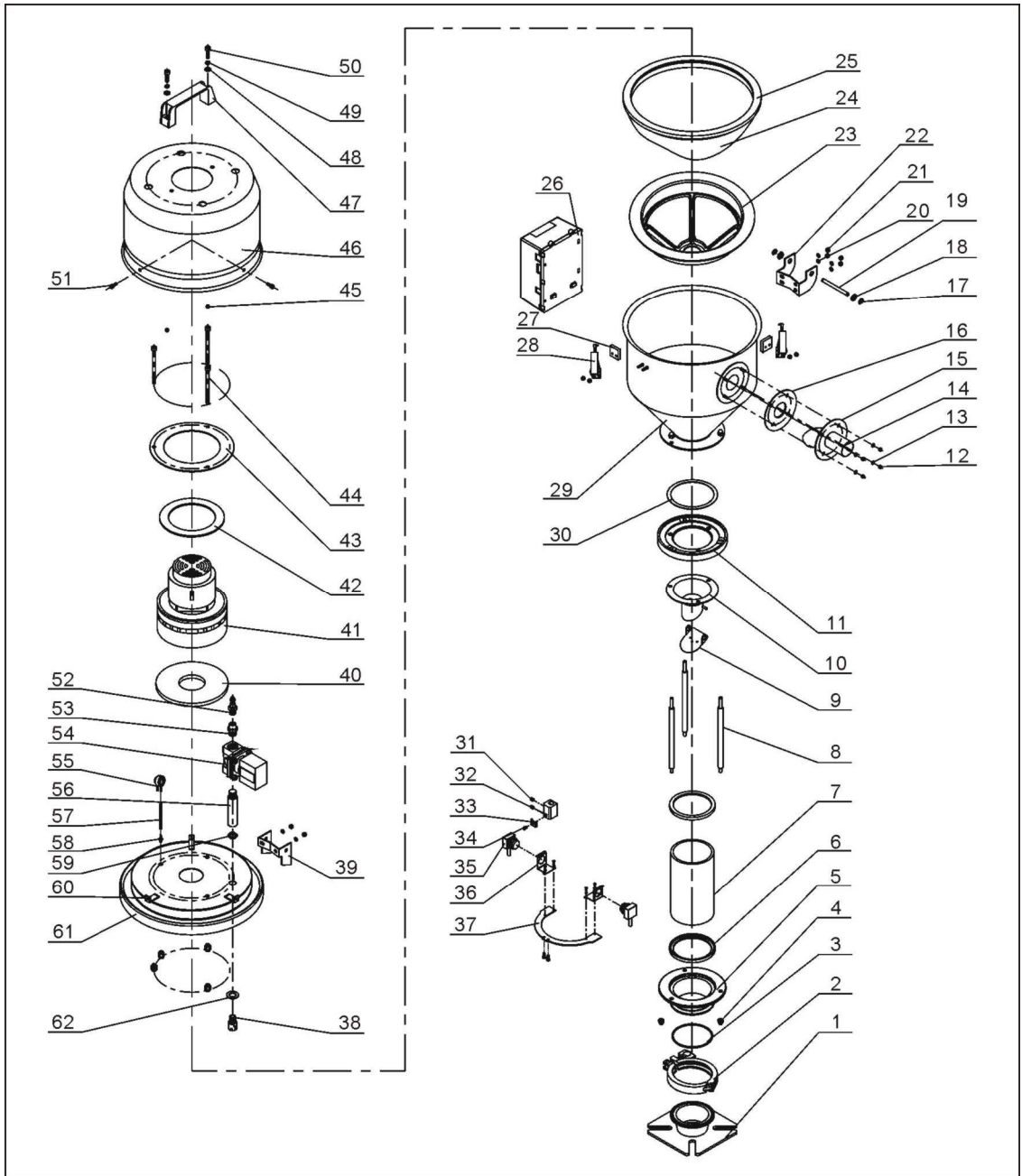
6. Parts List (SAL-3U)

No.	Name	Part No.	No.	Name	Part No.
1	O-Type seal ring	YR20205500000	37	Cross socket head cap screw M3×40	YW63034000000
2	Base	YW20006000000	38	Cross socket head cap screw M6×20	YW63062000000
3	Base ring	-	39	Magnet cover	BL21000600120
4	Pressure block	YW20000600500	40	Permanent magnet	YW90257700000
5	Spring washer M6	YW65006000000	41	Magnet sleeve	BH12000600010
6	Flat washer Φ6	YW66061300000	42	Flat washerΦ8×22	YW66082200100
7	Inner hexagon screw M6×20	YW61062000300	43	Screw M6	YW64000600200
8	Hopper fixing base	BL21063200020	44	Inner hexagon screw M6×10	YW63061000000
9	Baffle plate*	BL21000302320	45	Sensor shell	YR40000600100
10	Discharging port	BL21000600720	46	Mini-countersunk rivet screw M6	YW64060200000
11	Material storage tank	-	47	Ventilation window	YR40000600500
12	Screw M4×10	YW69041000000	48	Star spanner	YR40061500000
13	Locknut M4×0.7	YW64040700100	49	Reverse clean pipe nozzle	BH13033000810
14	Flat washerΦ4	YW66040800000	50	Washer	BP62352100050
15	Material inlet pipe	BL32333600020	51	Hopper cover	-
16	Material inlet pipe fixing plate	-	52	Blower fixing base	-
17	Material inlet pipe ring	YR10150300000	53	Upper hinge	BL32000600240
18	Screw M5×10	YW64040700100	54	Connection nut	-
19	E rings 6	YW66000500000	55	Connector 2	BH13030300010
20	Flat washer Φ8×22	YW66082200100	56	Solenoid valve	YE32213100000
21	Hinge pin	BH10006003110	57	Connector 3	BH13031100010
22	Flat washer Φ5	YW66051000100	58	Quick connector	YW80031400000
23	Locknut M5	YW64000500000	59	Blower ring (down)	YR10070000000
24	Down hinge	BL32000600140	60	Carbon brush motor*	YM30965600000
25	Filter cloth split washer**	YR40003000100	61	Blower ring (upper)	YP62141200000
26	Hop-pocket **	BP82003000044	62	Blower fixing plate	-
27	Hopper ring*	YR10000300100	63	Inner hexagon screw M6×90	YW61069000100
28	Cross socket head cap screw M4×6	YW63040600000	64	Locknut M6	YW64000600200
29	Control box	YR40030600000	65	Blower shell	YR40033000000
30	Control box base	-	66	L120 square aluminum handle	BW20012000040
31	Block	YW02003000400	67	Inner hexagon screw M6×20	YW61062000300
32	Snap hook	YR40000600300	68	Cross socket head cap screw M5×15	YW62051500000
33	Locknut M4×0.7	YW69040700100	69	Pressure switch	YE15002000100
34	Screw M4×15	YW64041500100	70	Blue air pipe	YR60060400000
35	Locknut M3	YW64000300000	71	Pressure switch connector	BH11103000010
36	Fixing base of baffle plate	BL20000601220			

* means possible broken parts. ** means easy broken parts. A spare backup is suggested.

Please confirm the version of manual is compatible with equipment before placing the purchase order to guarantee that the item number of the spare part is in accordance with the real object.

7. Assembly Drawing (SAL-3U-E)



Remarks: Please refer to material list 8 for specific explanation of the numbers in parts drawing.

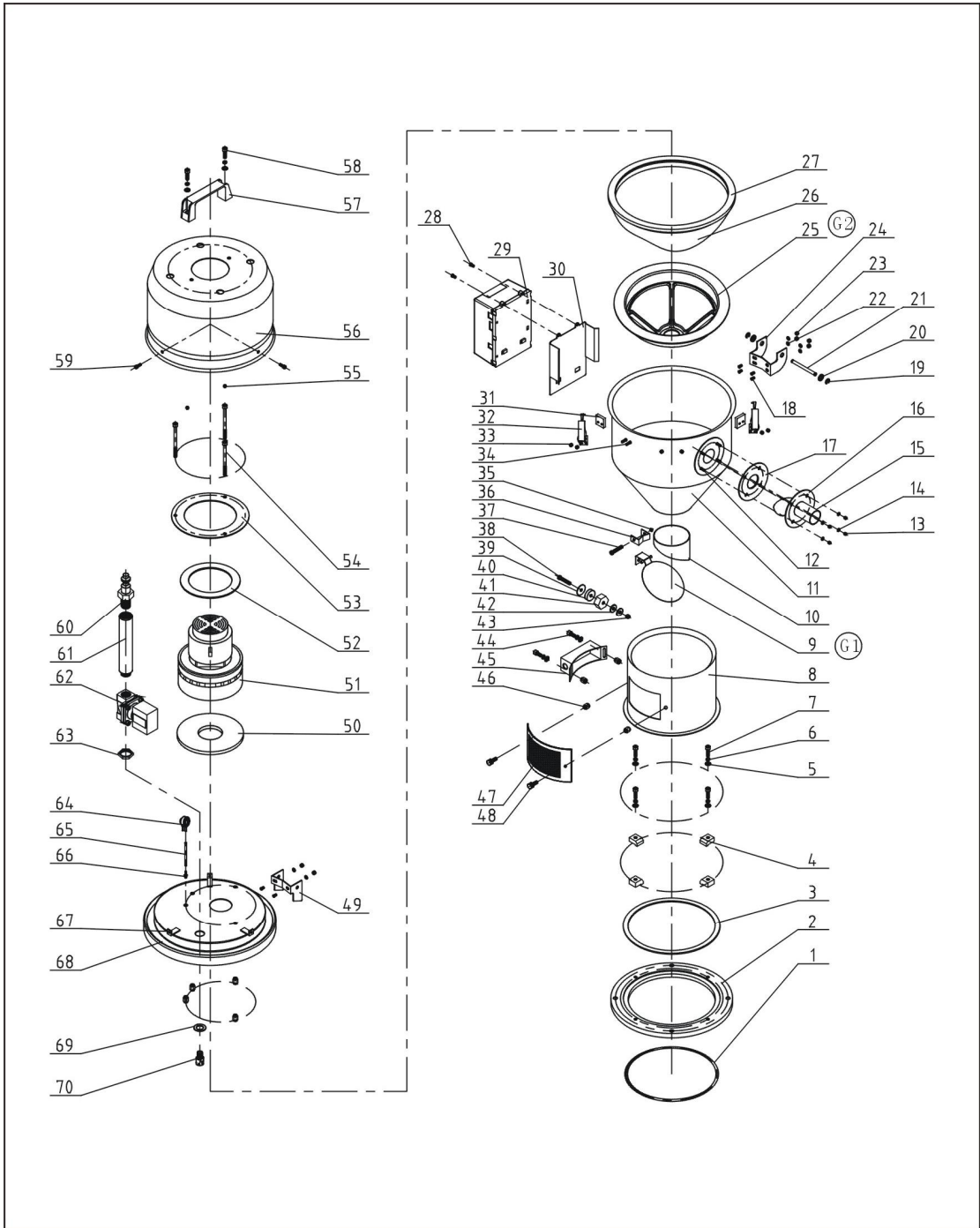
8. Parts List (SAL-3U-E)

No.	Name	Part No.	No.	Name	Part No.
1	Mounting flange	BH13060100040	32	Photosensor fixing base	BL90001000120
2	3" stainless steel pipe clamp	YW07000300000	33	Pressure block of photosensor	YW31616200000
3	Cap nut M6	YR20802600000	34	Cross socket head cap screw M4×10	YW63041000000
4	Cap nut M6	YW64006000100	35	Photosensor	YE15143900300
5	Glass pipe down flange	BH13062600010	36	Photosensor mounting block (come with photosensor)	-
6	Glass pipe ring	YR10060200000	37	Photosensor fixing plate	BL21061200020
7	Glass pipe*	YW70317000600	38	Reverse clean pipe nozzle	BH13033000810
8	Flange connection shaft	BH10000600640	39	Upper hinge	BL32000600240
9	Non-return flap	-	40	Blower ring (down)	YR10070000000
10	Discharging port	BW32060300610	41	Carbon brush motor 1.15kW	YM30965600000
11	Glass pipe upper flange	BH13062400010	42	Blower ring (upper)	YP62141200000
12	Locknut M4×0.7	YW64040700100	43	Blower fixing board	BL21000300420
13	Flat washer 4	YW66040800000	44	Inner hexagon cylindrical screw M6×90	YW61069000100
14	Material inlet pipe	BL32333600020	45	Locknut M6	YW64000600200
15	Material inlet pipe fixing plate	BL20036000320	46	Blower shell	YR40000300100
16	Material inlet pipe ring	YR10150300000	47	Square aluminum handle L120	BW20012000040
17	E-rings 6	YW63051000000	48	Flat washer 6	YW66061300000
18	Flat washer M8×22	YW66082200100	49	Spring washer 6	YW65006000000
19	Hinge pin	BH10006003110	50	Inner hexagon cylindrical screw M6×20	YW61062000300
20	Flat washer 5	YW66051000100	51	Cross socket head cap screw M5×15	YW62051500000
21	Locknut M5	YW64000500000	52	Quick connector 3" ×1/4PT	YW80031400000
22	Down hinge	BL32000600140	53	Connector 3	BH13031100010
23	Filter cloth split washer**	YR40003000100	54	Solenoid valve*	YE32213100000
24	Hop-pocket **	BP82003000044	55	Pressure switch	YE15002000100
25	Hopper ring*	YR10000300100	56	Connector 2	BH13030300010
26	Control box	YR40030600000	57	Blue air pipe Φ6×Φ4	YR60060400000
27	Snap hook block	YR40000600800	58	Pressure switch connector	BH11103000010
28	Snap hook	YW02003000400	59	Connection nut 1	BH12030400410
29	Material storage tank	-	60	Blower cover fixing base	-
30	Hopper base plate ring	-	61	Hopper cover	-
31	Set screw M4×5	YW68004500000	62	Washer Φ30×Φ17×2	BP62352100050

* means possible broken parts. ** means easy broken parts. A spare backup is suggested.

Please confirm the version of manual is compatible with equipment before placing the purchase order to guarantee that the item number of the spare part is in accordance with the real object.

9. Assembly Drawing (SAL-6U)



Remarks: Please refer to material list 10 for specific explanation of the numbers in parts drawing.

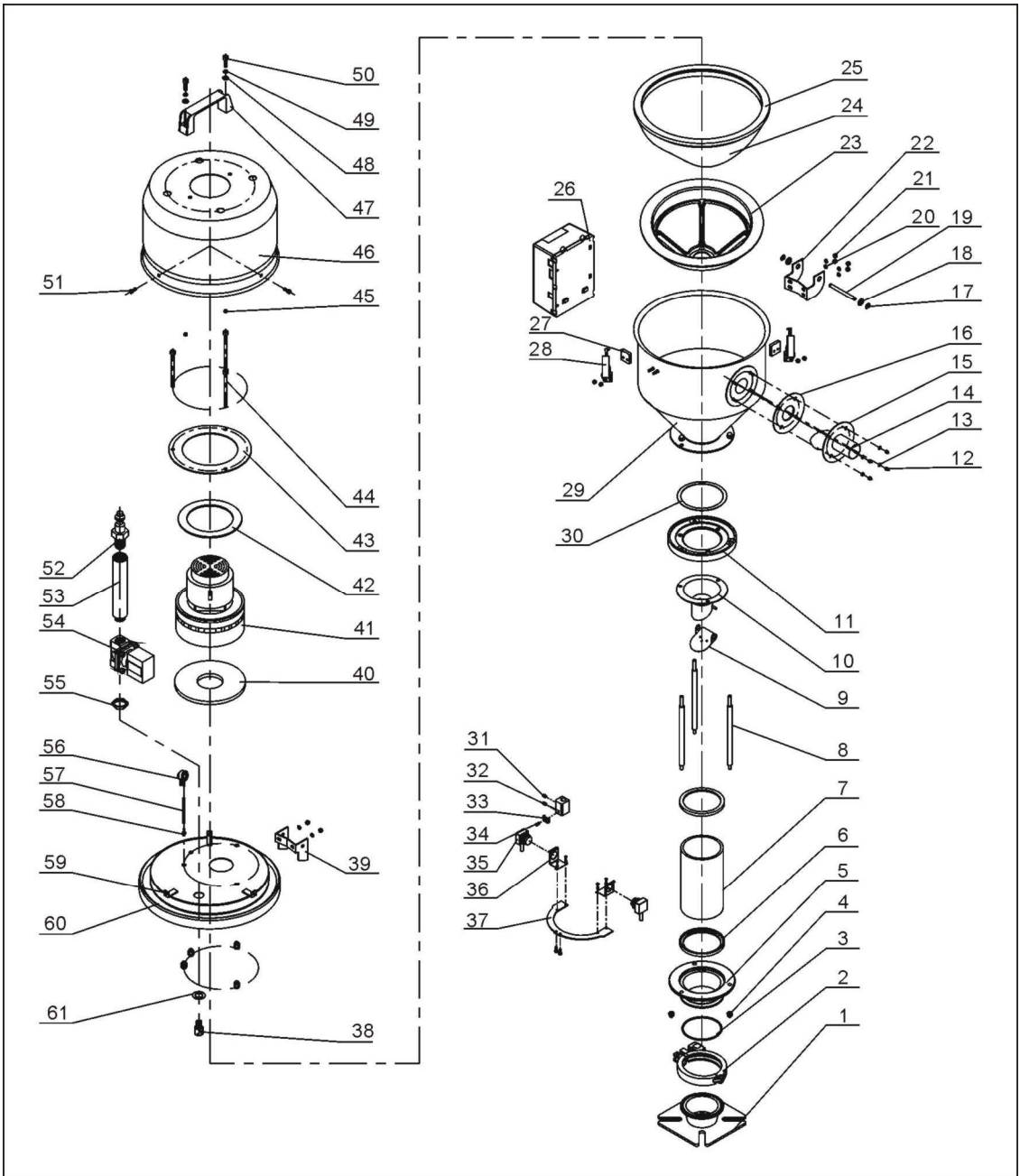
10. Parts List (SAL-6U)

No.	Name	Part No.	No.	Name	Part No.
1	O-Type seal ring	YR20205500000	36	Fixing base of baffle plate	BL20000601220
2	Base	YW20006000000	37	Cross socket head cap screw M3×40	YW63034000000
3	Base ring	-	38	Cross socket head cap screw M6×20	YW63062000000
4	Pressure block	YW20000600500	39	Magnet cover	BL21000600120
5	Spring washer M6	YW65006000100	40	Permanent magnet	YW90257700000
6	Flat washerΦ6	YW66061300000	41	Magnet sleeve	BH12000600010
7	Inner hexagon screw M6×20	YW61062000300	42	Flat washer Φ8×22	YW66082200100
8	Hopper fixing base	BL21000600020	43	Locknut M6	YW64000600200
9	Baffle plate	BL21000302320	44	Inner hexagon cylindrical screw M6×10	YW63061000000
10	Discharging port	BL21000600720	45	Sensor shell	YR40000600100
11	Material storage tank	-	46	Mini-countersunk rivet screw M6	YW64060200000
12	Screw M4×10	YW69041000000	47	Ventilation window	YR40000600500
13	Locknut M4×0.7	YW64040700100	48	Star spanner	YR40061500000
14	Flat washer Φ4	YW66040800000	49	Upper hinge	BL32000600240
15	Material inlet pipe	-	50	Blower ring (down)	YR10070000000
16	Material inlet pipe fixing plate	-	51	Carbon brush motor*	YM30965600000
17	Material inlet pipe ring	-	52	Blower ring (upper)	YP62141200000
18	Screw M5×10	YW64040700100	53	Blower fixing board	-
19	E rings	YW66000500000	54	Inner hexagon cylindrical screw M6×90	YW61069000100
20	Flat washer Φ8×22	YW66082200100	55	Locknut M6	YW64000600200
21	Hinge pin	BH10006003110	56	Blower shell	YR40036000000
22	Flat washer Φ5	YW66051000100	57	L120 Square aluminum handle	BW20012000040
23	Locknut M5	YW64000500000	58	Inner hexagon cylindrical screw M6×20	YW61062000300
24	Down hinge	BL32000600140	59	Cross socket head cap screw M5×15	YW62051500000
25	Filter cloth split washer**	YR40006000000	60	Quick connector	YW80031400000
26	Hop-pocket **	BP82006000044	61	Connector 2	BH13030300010
27	Hopper ring*	YR10000600200	62	Solenoid valve*	YE32213100000
28	Cross socket head cap screw M4×6	YW63040600000	63	Connection nut	BH12030400410
29	Control box	YR40030600000	64	Pressure switch	YE15002000100
30	Control box base	-	65	Blue air pipe	YR60060400000
31	Block	YR40000600300	66	Pressure switch connector	BH11103000010
32	Snap hook	YW02003000400	67	Blower shell fixing base	-
33	Locknut M4×0.7	YW64040700100	68	Hopper cover	-
34	Screw M4×15	YW69041500100	69	Washer	BP62352100050
35	Locknut M3	YW64000300000	70	Reverse clean pipe nozzle	BH13033000810

* means possible broken parts. ** means easy broken parts. A spare backup is suggested.

Please confirm the version of manual is compatible with equipment before placing the purchase order to guarantee that the item number of the spare part is in accordance with the real object.

11. Assembly Drawing (SAL-6U-E)



Remarks: Please refer to material list 12 for specific explanation of the numbers in parts drawing.

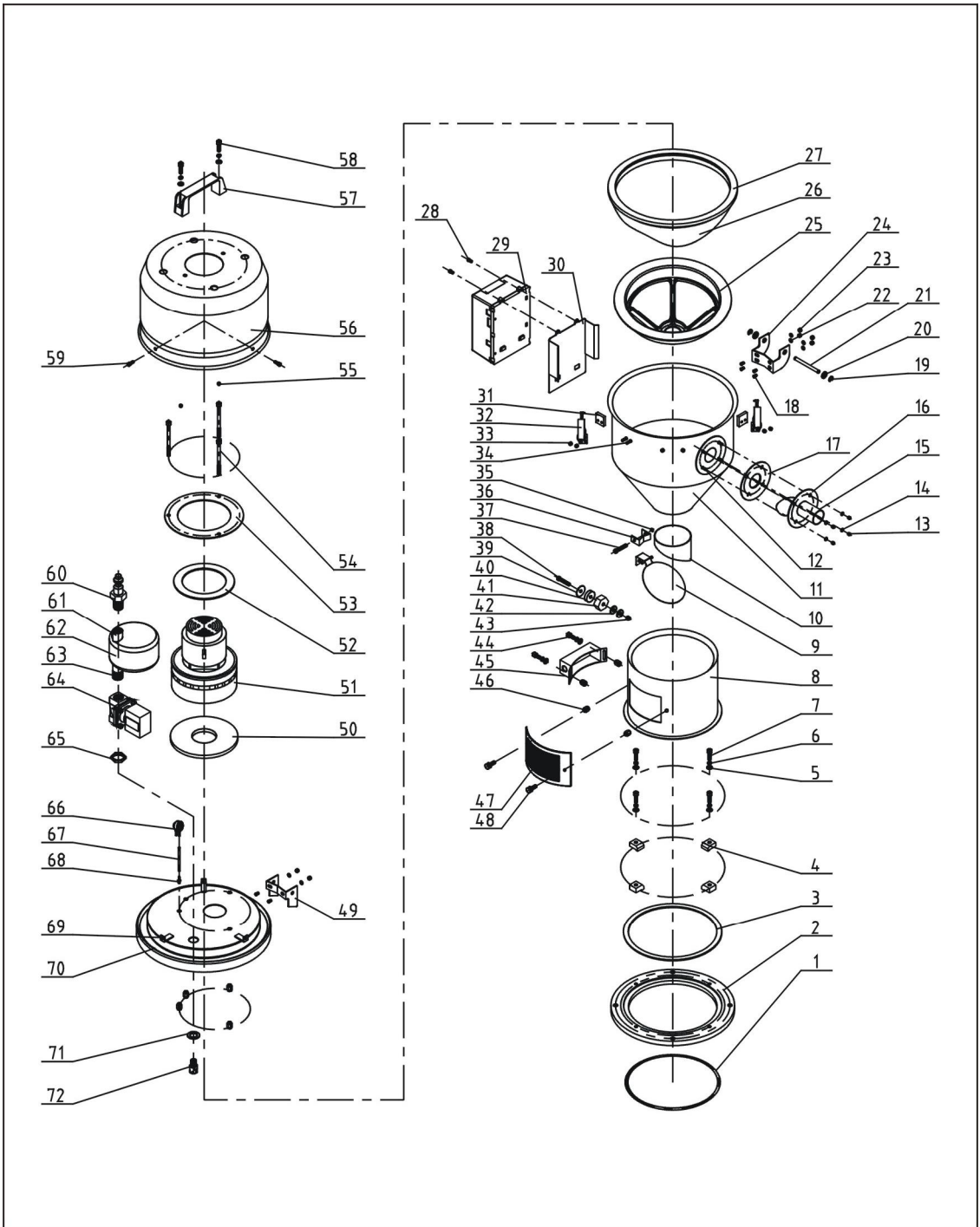
12. Parts List (SAL-6U-E)

No.	Name	Part No.	No.	Name	Part No.
1	Mounting flange	BH13060100040	32	Photosensor fixing base	BL90001000120
2	3" stainless steel pipe clamp	YW07000300000	33	Photosensor pressure block	YW31616200000
3	Cap nut M6	YR20802600000	34	Cross socket head cap screw M4×10	YW63041000000
4	Cap nut M6	YW64006000100	35	photosensor	YE15143900300
5	Glass pipe down flange	BH13062600010	36	Photosensor mounting block (come with photosensor)	-
6	Glass pipe ring	YR10060200000	37	Photosensor fixing plate	BL21061200020
7	Glass pipe*	YW70317000600	38	Reverse clean pipe nozzle	BH13033000810
8	Flange connection shaft	BH10000600640	39	Upper hinge	BL32000600240
9	Non-return flap	-	40	Blower ring (down)	YR10070000000
10	Discharging port	BW32060300610	41	Carbon brush motor 1.15kW	YM30965600000
11	Glass pipe upper flange	BH13062400010	42	Blower ring (upper)	YP62141200000
12	Locknut M4×0.7	YW64040700100	43	Blower fixing board	BL21000300420
13	Flat washer 4	YW66040800000	44	Inner hexagon cylindrical screw M6×90	YW61069000100
14	Material inlet pipe	-	45	Locknut M6	YW64000600200
15	Material inlet pipe fixing plate	BL20036000320	46	Blower shell	BL22001200220
16	Material inlet pipe ring	YR10061200000	47	Square aluminum handle L120	BW20012000040
17	E-rings 6	YW63051000000	48	Flat washer 6	YW66061300000
18	Flat washer M8×22	YW66082200100	49	Spring washer 6	YW65006000000
19	Hinge pin	BH10006003110	50	Inner hexagon cylindrical screw M6×20	YW61062000300
20	Flat washer 5	YW66051000100	51	Cross socket head cap screw M5×15	YW62051500000
21	Locknut M5	YW64000500000	52	Quick connector 3" ×1/4PT	YW80031400000
22	Down hinge	BL32000600140	53	Connector 2	BH13030300010
23	Filter cloth split washer**	YR40006000000	54	Solenoid valve*	YE32213100000
24	Hop-pocket **	BP82003000044	55	Connection nut 1	BH12030400410
25	Hopper ring*	YR10000300100	56	Pressure switch	YE15002000100
26	Control box	YR40030600000	57	Blue air pipe Φ6×Φ4	YR60060400000
27	Snap hook block	YR40000600300	58	Pressure switch connector	BH11103000010
28	Snap hook	YW02003000400	59	Blower cover fixing base	-
29	Material storage tank	-	60	Hopper cover	-
30	Hopper base plate ring	-	61	Washer Φ30×Φ17×2	BP62352100050
31	Set screw M4×5	YW68004500000			

* means possible broken parts. ** means easy broken parts. A spare backup is suggested.

Please confirm the version of manual is compatible with equipment before placing the purchase order to guarantee that the item number of the spare part is in accordance with the real object.

13. Assembly Drawing (SAL-6U-A)



Remarks: Please refer to material list 14 for specific explanation of the numbers in parts drawing.

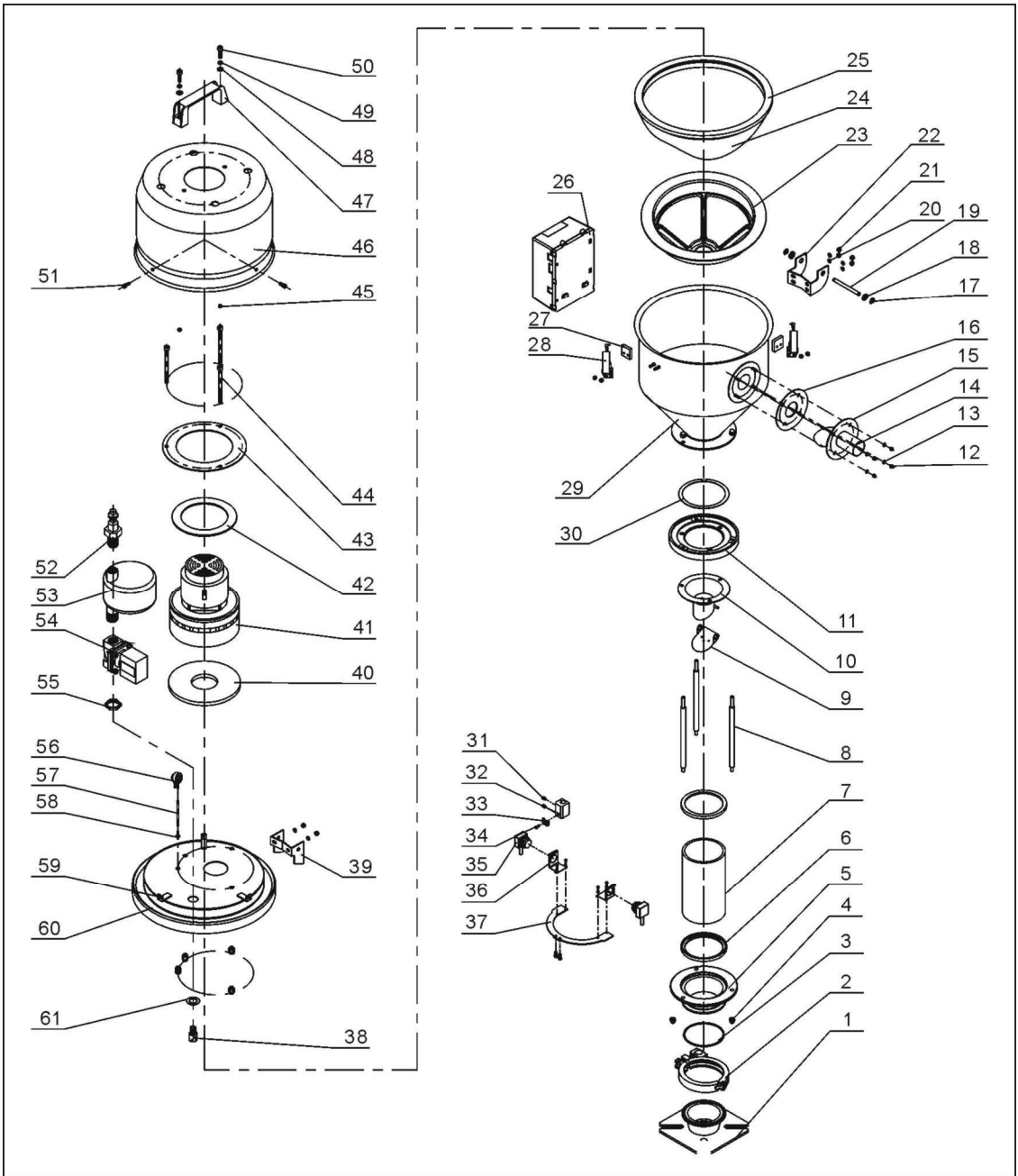
14. Parts List (SAL-6U-A)

No.	Name	Part No.	No.	Name	Part No.
1	O-Type seal ring	YR20205500000	37	Cross socket head cap screw M3×40	YW63034000000
2	Base	YW20006000000	38	Cross socket head cap screw M6×20	YW63062000000
3	Base ring	-	39	Magnet cover	BL21000600120
4	Pressure block	YW20000600500	40	Permanent magnet	YW90257700000
5	Spring washer M6	YW65006000100	41	Magnet sleeve	BH12000600010
6	Flat washer Φ6	YW66061300000	42	Flat washer Φ8×22	YW66082200100
7	Inner hexagon screw M6×20	YW61062000300	43	Locknut M6	YW64000600200
8	Hopper fixing base	BL21000600020	44	Inner hexagon cylindrical screw M6×10	YW63061000000
9	Baffle plate*	BL21000302320	45	Sensor shell	YR40000600100
10	Discharging port	BL21000600720	46	Mini-countersunk rivet screw M6	YW64060200000
11	Material storage tank	-	47	Ventilation window	YR40000600500
12	Screw M4×10	YW69041000000	48	Star spanner	YR40061500000
13	Locknut M4×0.7	YW64040700100	49	Upper hinge	BL32000600240
14	Flat washer Φ4	YW66040800000	50	Blower ring (down)	YR10070000000
15	Material inlet pipe	-	51	Carbon brush motor*	YM30965600000
16	Material inlet pipe fixing piece	-	52	Blower ring (upper)	YP62141200000
17	Material inlet pipe ring	-	53	Blower fixing board	-
18	Screw M5×10	YW64040700100	54	Inner hexagon cylindrical screw M6×90	YW61069000100
19	E rings	YW66000500000	55	Locknut M6	YW64000600200
20	Flat washer Φ8 × 22	YW66082200100	56	Blower shell	YR40036000000
21	Hinge pin	BH10006003110	57	L120 Square aluminum handle	BW20012000040
22	Flat washer Φ5	YW66051000100	58	Inner hexagon cylindrical screw M6×20	YW61062000300
23	Locknut M5	YW64000500000	59	Cross socket head cap screw M5×15	YW62051500000
24	Down hinge	BL32000600140	60	Quick connector	YW80031400000
25	Filter cloth split washer**	YR40006000000	61	Connection nut 1	-
26	Hop-pocket **	BP82006000044	62	Air accumulator	-
27	Hopper ring*	YR10000600200	63	Connection nut 2	-
28	Cross socket head cap screw M4×6	YW63040600000	64	Solenoid valve*	YE32213100000
29	Control box	YR40030600000	65	Connection nut	BH12030400410
30	Control box base	-	66	Pressure switch	YE15002000100
31	Block	YR40000600300	67	Blue air pipe	YR60060400000
32	Snap hook	YW02003000400	68	Pressure switch connector	BH11103000010
33	Locknut M4 × 0.7	YW64040700100	69	Blower cover fixing base	-
34	Screw M4 × 15	YW69041500100	70	Hopper cover	-
35	Locknut M3	YW64000300000	71	Washer	BP62352100050
36	Fixing base of baffle plate	BL20000601220	72	Reverse clean pipe nozzle	BH13033000810

* means possible broken parts. ** means easy broken parts. A spare backup is suggested.

Please confirm the version of manual is compatible with equipment before placing the purchase order to guarantee that the item number of the spare part is in accordance with the real object.

15. Assembly Drawing (SAL-6U-EA)



Remarks: Please refer to material list 16 for specific explanation of the numbers in parts drawing.

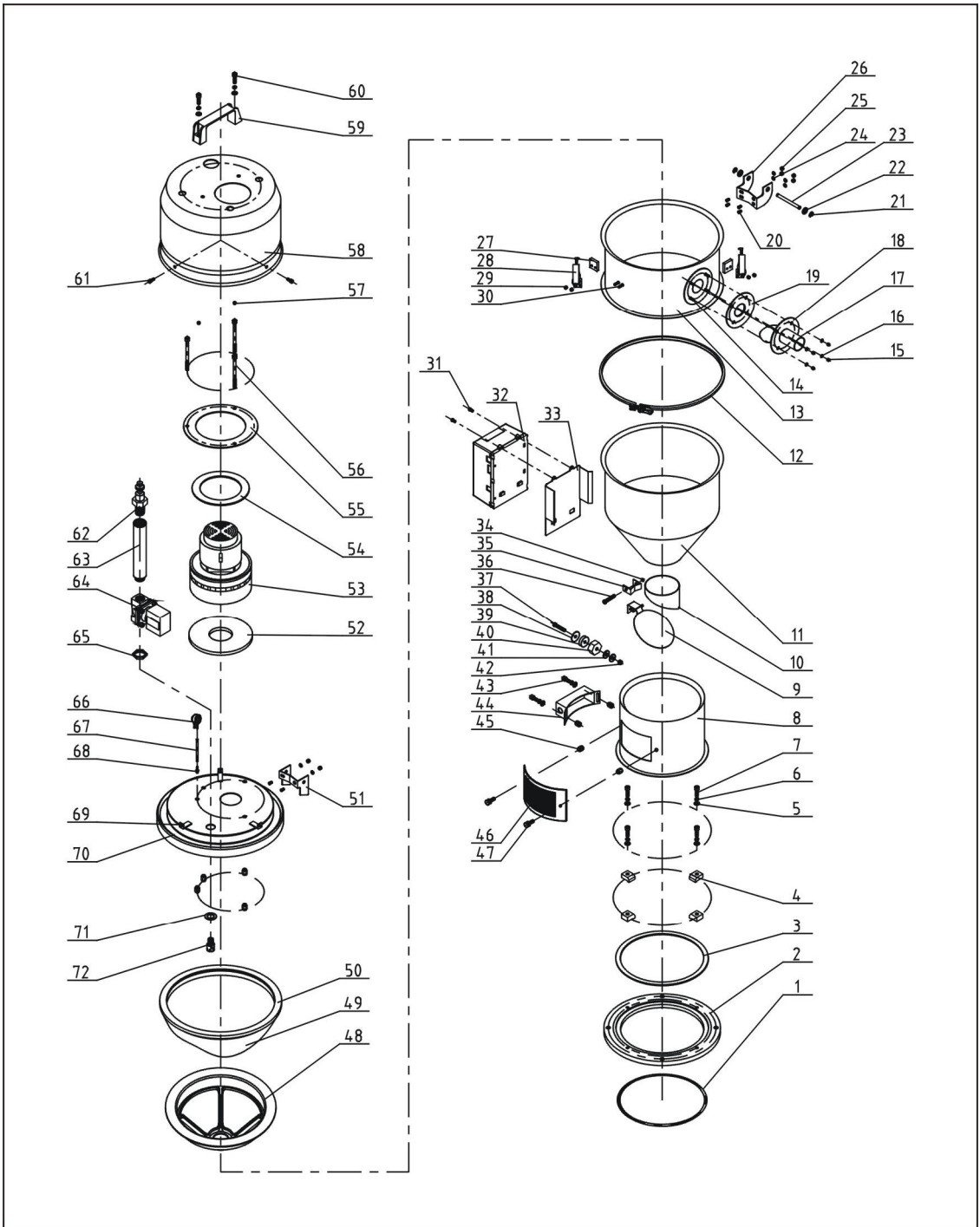
16. Parts List (SAL-6U-EA)

No.	Name	Part No.	No.	Name	Part No.
1	Mounting flange	BL21060200820	32	Photosensor fixing base	BL90001000120
2	3" stainless steel pipe clamp	YW07000300000	33	Photosensor pressure block	YW31616200000
3	Cap nut M6	YR20802600000	34	Cross socket head cap screw M4×10	YW63041000000
4	Cap nut M6	YW64006000100	35	Photosensor	YE15143900000
5	Glass pipe down flange	BW32610900010	36	Photosensor mounting block (come with photosensor)	-
6	Glass pipe ring	YR10060200000	37	Photosensor fixing plate	BL21061200020
7	Glass pipe*	YW70317000600	38	Reverse clean pipe nozzle	BH13033000810
8	Flange connection shaft	BH10000600640	39	Upper hinge	BL32000600240
9	Non-return flap	-	40	Blower ring (down)	YR10070000000
10	Discharging port	-	41	Carbon brush motor 1.15kW	YM30965600000
11	Glass pipe upper flange	BW32610800010	42	Blower ring (upper)	YP62141200000
12	Locknut M4×0.7	YW64040700100	43	Blower fixing board	BL21000300420
13	Flat washer 4	YW66040800000	44	Inner hexagon cylindrical screw M6×90	YW61069000100
14	Material inlet pipe	BL32000600020	45	Locknut M6	YW64000600200
15	Material inlet pipe fixing plate	BL20036000320	46	Blower shell	BL22001200220
16	Material inlet pipe ring	YR10061200000	47	Square aluminum handle L120	BW20012000040
17	E-rings 6	YW63051000000	48	Flat washer 6	YW66061300000
18	Flat washer M8×22	YW66082200100	49	Spring washer 6	YW65006000000
19	Hinge pin	BH10006003110	50	Inner hexagon cylindrical screw M6×20	YW61062000300
20	Flat washer 5	YW66051000100	51	Cross socket head cap screw M5×15	YW62051500000
21	Locknut M5	YW64000500000	52	Quick connector 3" ×1/4PT	YW80031400000
22	Down hinge	BL32000600140	53	Air accumulator	-
23	Filter cloth split washer**	YR40006000000	54	Solenoid valve*	YE32213100000
24	Hop-pocket **	BP82003000044	55	Connection nut 1	BH12030400410
25	Hopper ring *	YR10000300100	56	Pressure switch	YE15002000100
26	Control box	YR40030600000	57	Blue air pipe Φ6×Φ4	YR60060400000
27	Snap hook block	YR40000600300	58	Pressure switch connector	BH11103000010
28	Snap hook	YW02003000400	59	Blower cover fixing base	-
29	Material storage tank	-	60	Hopper cover	-
30	Hopper base plate ring	-	61	Washer Φ30×Φ17×2	BP62352100050
31	Set screw M4×5	YW68004500000			

* means possible broken parts. ** means easy broken parts. A spare backup is suggested.

Please confirm the version of manual is compatible with equipment before placing the purchase order to guarantee that the item number of the spare part is in accordance with the real object.

17. Assembly Drawing (SAL-12U)



Remarks: Please refer to material list 18 for specific explanation of the numbers in parts drawing.

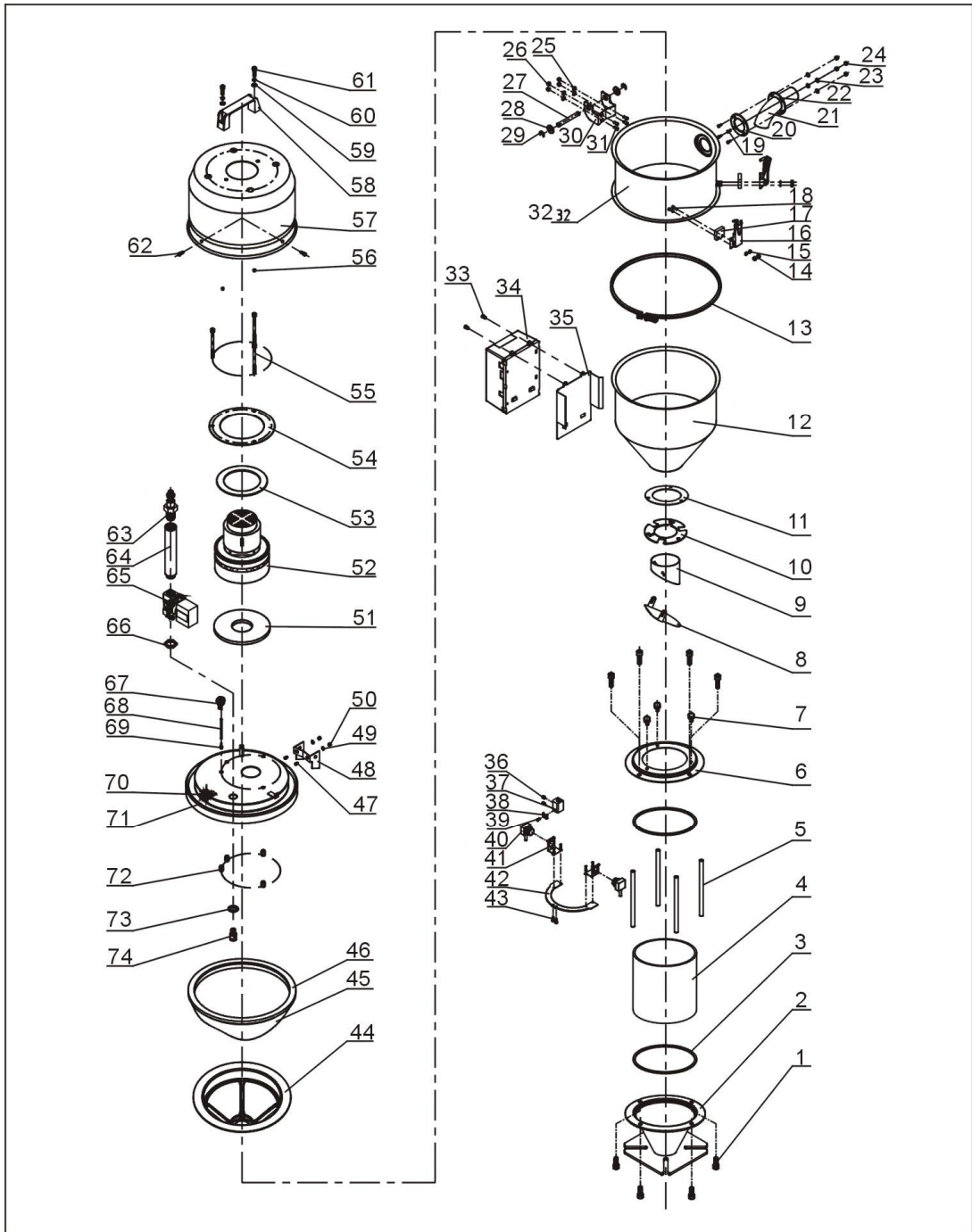
18. Parts List (SAL-12U)

No.	Name	Part No.	No.	Name	Part No.
1	O-Type seal ring	YR20205500000	37	Cross socket head cap screw M6×20	YW63062000000
2	Base	YW20006000000	38	Magnet cover	BL21000600120
3	Base ring	-	39	Permanent magnet	YW90257700000
4	Pressure block	YW20000600500	40	Magnet sleeve	BH12000600010
5	Spring washer M6	YW65006000100	41	Flat washer Φ8×22	YW66082200100
6	Flat washer Φ6	YW66061300000	42	Locknut M6	YW64000600200
7	Inner hexagon screw M6×20	YW61062000300	43	Inner hexagon cylindrical screw M6×10	YW63061000000
8	Hopper fixing base	BL21000600020	44	Sensor shell	YR40000600100
9	Baffle plate *	BL21000302320	45	Mini-countersunk rivet screw M6	YW64060200000
10	Discharging port	BL21000600720	46	Ventilation window	YR40000600500
11	Material storage tank	-	47	Star spanner	YR40061500000
12	Pipe clamp	BH11120400010	48	Filter cloth split washer**	YR40006000000
13	Extra large material tank	-	49	Hop-pocket **	BP82006000044
14	Screw M4×10	YW69041000000	50	Hopper ring *	YR10000600200
15	Locknut M4×0.7	YW64040700100	51	Upper hinge	BL32000600240
16	Flat washer Φ4	YW66040800000	52	Blower ring (down)	YR10070000000
17	Material inlet pipe	-	53	Carbon brush motor*	YM30965600000
18	Material inlet pipe fixing plate	-	54	Blower ring (upper)	YP62141200000
19	Material inlet pipe ring	-	55	Blower fixing board	-
20	Screw M5×10	YW64040700100	56	Inner hexagon cylindrical screw M6×90	YW61069000100
21	E rings	YW66000500000	57	Locknut M6	YW64000600200
22	Flat washerΦ8×22	YW66082200100	58	Blower shell	YR40036000000
23	Hinge pin	BH10006003110	59	L120 Square aluminum handle	BW20012000040
24	Flat washer Φ5	YW66051000100	60	Inner hexagon cylindrical screw M6×20	YW61062000300
25	Locknut M5	YW64000500000	61	Cross socket head cap screw M5×15	YW62051500000
26	Down hinge	BL32000600140	62	Quick connector	YW80031400000
27	Block	YR40000600300	63	Connector 2	BH13030300010
28	Snap hook	YW02003000400	64	Solenoid valve*	YE32213100000
29	Lockup nut M4×0.7	YW64040700100	65	Connection nut	BH12030400410
30	Screw M4×15	YW69041500100	66	Pressure switch	YE15002000100
31	Cross socket head cap screw M4×6	YW63040600000	67	Blue air pipe	YR60060400000
32	Control box	YR40030600000	68	Pressure switch connector	BH11103000010
33	Control box base	-	69	Blower cover fixing base	-
34	Locknut M3	YW64000300000	70	Hopper cover	-
35	Fixing base of baffle plate	BL20000601220	71	Washer	BP62352100050
36	Cross socket head cap screw M3×40	YW63034000000			

* means possible broken parts. ** means easy broken parts. A spare backup is suggested.

Please confirm the version of manual is compatible with equipment before placing the purchase order to guarantee that the item number of the spare part is in accordance with the real object.

19. Assembly Drawing (SAL-12U-E)



Remarks: Please refer to material list 20 for specific explanation of the numbers in parts drawing.

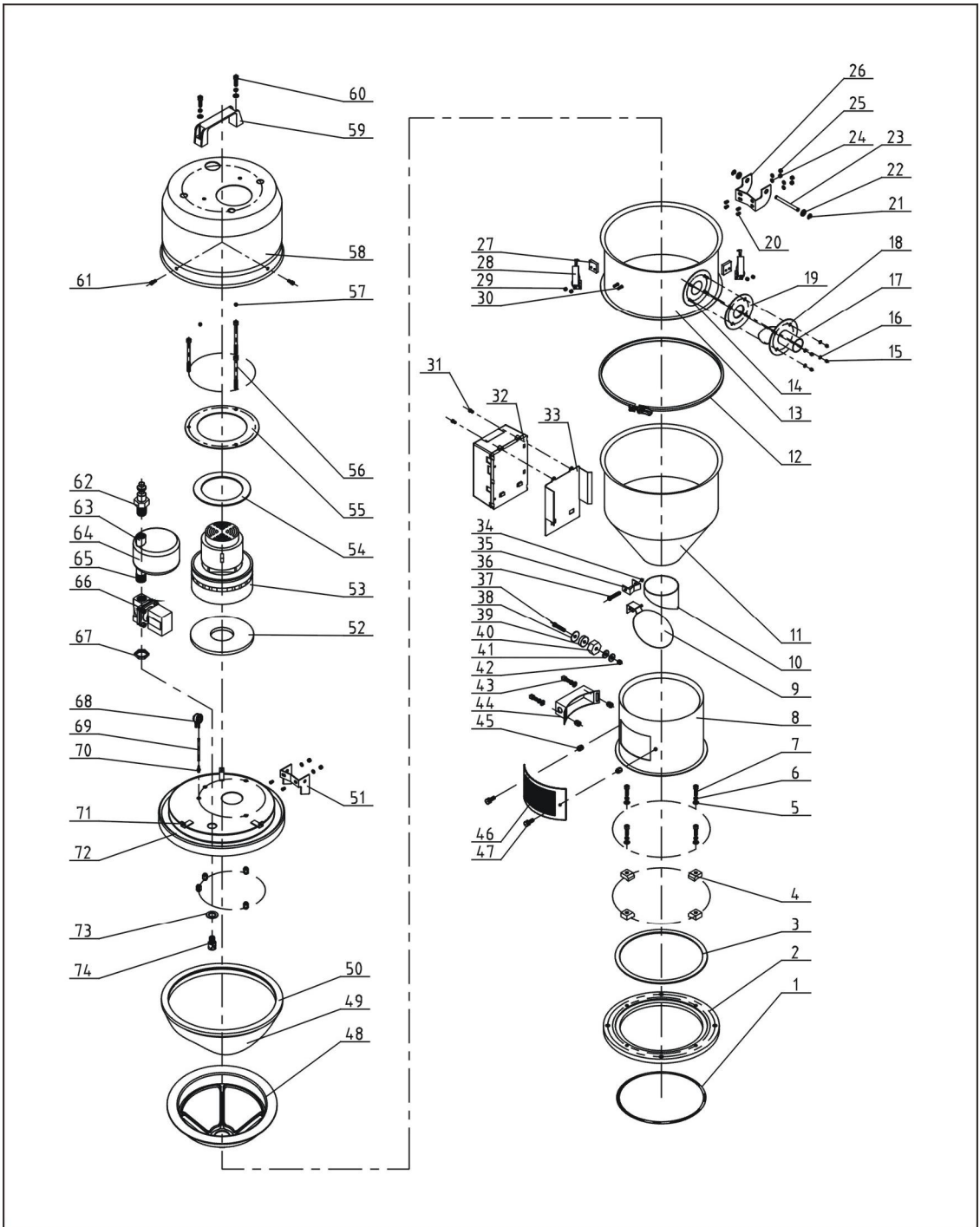
20. Parts List (SAL-12U-E)

No.	Name	Part No.	No.	Name	Part No.
1	Inner hexagon screw M6×15	YW61061600300	38	Photosensor pressure block	BL21001210020
2	Glass pipe down flange	YW32000600000	39	Cross socket head cap screw M4×10	YW63041000000
3	Glass pipe ring	YR10060200000	40	Photosensor	YE15143900300
4	Glass pipe *	YW70908000000	41	Photosensor mounting block	-
5	Flange connection shaft	BH10101100010	42	Photosensor fixing plate	BL21001200120
6	Glass pipe upper flange	YW32000600200	43	Cross socket head cap screw M4×10	YW63041000000
7	Plastic handle screw M6×15	YW69621600000	44	Filter cloth split washer**	YR40006000000
8	Non-return flap	BL21001200520	45	Hop-pocket **	BP82006000044
9	Discharging port	BL27001200720	46	Hopper ring *	YR10000600200
10	Hopper flange	YW32000600100	47	Screw M5×10	YW64040700100
11	Ventilation flange	-	48	Upper hinge	BL32000600220
12	Material storage tank	BL21001200820	49	Flat washer 5	YW66040800000
13	Pipe clamp	BH11120400010	50	Locknut	YW64000500000
14	Locknut M4×0.7	YW64040700100	51	Blower ring (down)	YR10070000000
15	Flat washer 4	YW66040800000	52	Carbon brush motor	YM30965600000
16	Snap hook	YW02003000400	53	Blower ring (upper)	YP62141200000
17	Block	YR40000600300	54	Blower fixing board	BL21000300420
18	Screw M4×15	YW69041500100	55	Inner hexagon cylindrical screw	YW61069000100
19	Screw M4×10	YW69041000000	56	Locknut M6	YW64000600200
20	Material inlet pipe ring	YR10061200000	57	Blower shell	YR40036000000
21	Material inlet pipe	BL32001500020	58	Square aluminum handle	BW20012000040
22	Material inlet pipe fixing plate	BL20036000320	59	Inner hexagon cylindrical screw	YW61062000300
23	Flat washer 4	YW66040800000	60	Spring washer	YW65006000000
24	Locknut M4×0.7	YW64040700100	61	Flat washer 6	YW66061300000
25	Flat washer 5	YW66051000100	62	Cross socket head cap screw M5×15	YW62051500000
26	Locknut M5	YW64000500000	63	Quick connector	YW80031400000
27	Hinge pin	BH10006003110	64	Connector 2	BH13030300010
28	Flat washer 8×22	YW66082200100	65	Solenoid valve	YE32213000100
29	E-rings 6	YW63051000000	66	Connection nut	BH12030400410
30	Down hinge	BL32000600120	67	Pressure switch	YE15002000100
31	Screw M5×10	YW64040700100	68	Blue air pipe	YR60060400000
32	Extra large material tank	BL21001200621	69	Pressure switch connector	BH11103000010
33	Cross socket head cap screw	YW63040600000	70	Blower cover fixing base	BH10063200040
34	Control box	YR40030600000	71	Hopper cover	BL22001200721
35	Control box base	BL21000602020	72	Mini-countersunk rivet screw M6	YW64060200000
36	Set screw	YW68004500000	73	Washer	BP62352100050
37	Photosensor fixing base	YW20061500000	74	Reverse clean pipe nozzle	BH13033000810

* means possible broken parts. ** means easy broken parts. A spare backup is suggested.

Please confirm the version of manual is compatible with equipment before placing the purchase order to guarantee that the item number of the spare part is in accordance with the real object.

21. Assembly Drawing (SAL-12U-A)



Remarks: Please refer to material list 22 for specific explanation of the Arabic numbers in parts drawing.

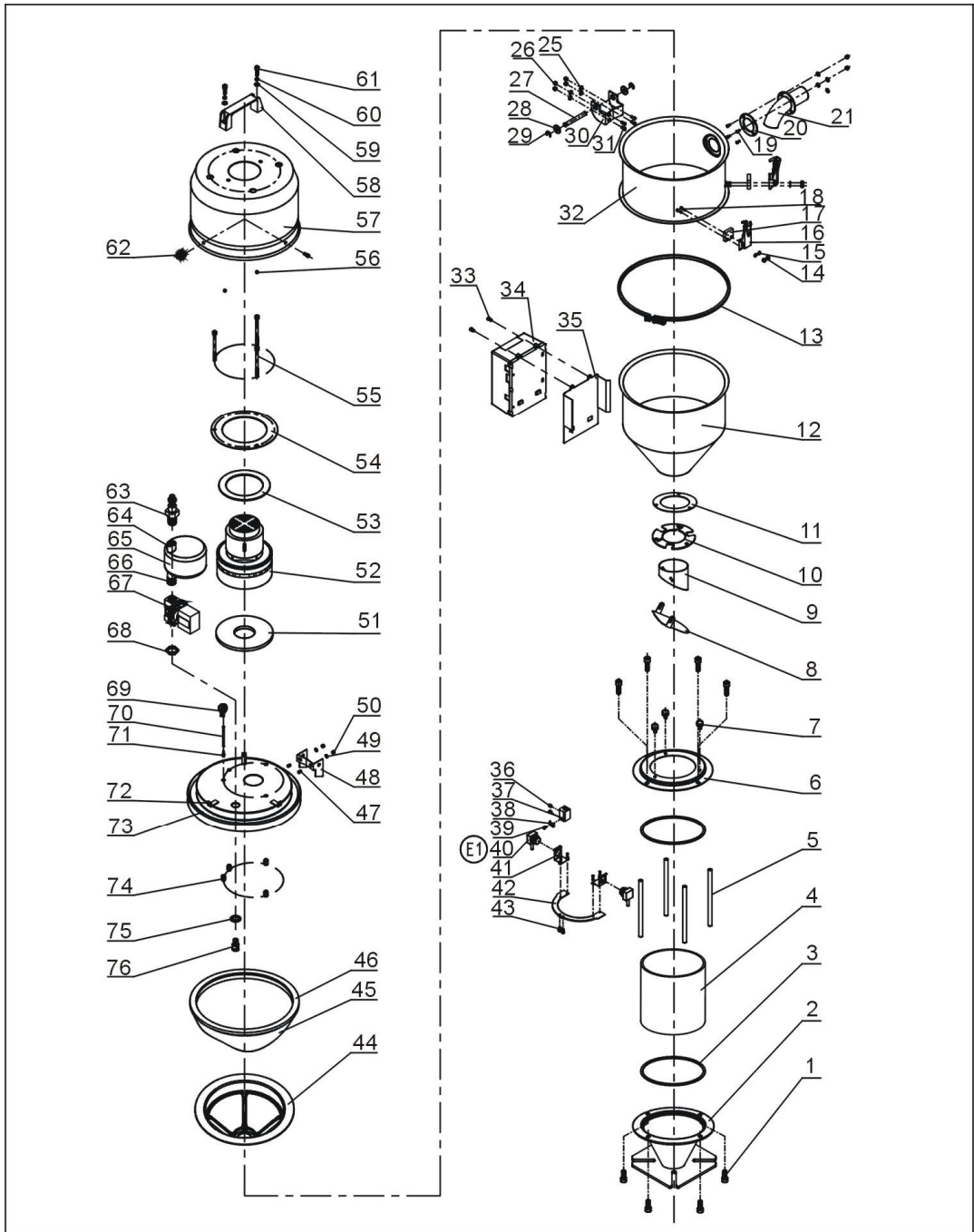
22. Parts List (SAL-12U-A)

No.	Name	Part No.	No.	Name	Part No.
1	O-Type seal ring	YR20205500000	38	Magnet cover	BL21000600120
2	Base	YW20006000000	39	Permanent magnet	YW90257700000
3	Base ring	-	40	Magnet sleeve	BH12000600010
4	Pressure block	YW20000600500	41	Flat washer $\Phi 8 \times 22$	YW66082200100
5	Spring washer M6	YW65006000100	42	Locknut M6	YW64000600200
6	Flat washer $\Phi 6$	YW66061300000	43	Inner hexagon cylindrical screw M6 \times 10	YW63061000000
7	Inner hexagon screw M6 \times 20	YW61062000300	44	Sensor shell	YR40000600100
8	Hopper fixing base	BL21000600020	45	Mini-countersunk rivet screw M6	YW64060200000
9	Baffle plate*	BL21000302320	46	Ventilation window	YR40000600500
10	Discharging port	BL21000600720	47	Star spanner	YR40061500000
11	Material storage tank	-	48	Filter cloth split washer**	YR40006000000
12	Pipe clamp	BH11120400010	49	Hop-pocket **	BP82006000044
13	Extra large material tank	-	50	Hopper ring *	YR10000600200
14	Screw M4 \times 10	YW69041000000	51	Upper hinge	BL32000600240
15	Locknut M4 \times 0.7	YW64040700100	52	Blower ring (down)	YR10070000000
16	Flat washer $\Phi 4$	YW66040800000	53	Carbon brush motor*	YM30965600000
17	Material inlet pipe	BL32000600020	54	Blower ring (upper)	YP62141200000
18	Material inlet pipe fixing plate	-	55	Blower fixing board	-
19	Material inlet pipe ring	YR10061200000	56	Inner hexagon cylindrical screw M6 \times 90	YW61069000100
20	Screw M5 \times 10	YW64040700100	57	Locknut M6	YW64000600200
21	E rings	YW66000500000	58	Blower shell	YR40036000000
22	Flat washer $\Phi 8 \times 22$	YW66082200100	59	L120 Square aluminum handle	BW20012000040
23	Hinge pin	BH10006003110	60	Inner hexagon cylindrical screw M6 \times 20	YW61062000300
24	Flat washer $\Phi 5$	YW66051000100	61	Cross socket head cap screw M5 \times 15	YW62051500000
25	Locknut M5	YW64000500000	62	Quick connector	YW80031400000
26	Down hinge	BL32000600140	63	Connection nut 1	-
27	Block	YR40000600300	64	Air accumulator	-
28	Snap hook	YW02003000400	65	Connection nut 2	-
29	Locknut M4 \times 0.7	YW64040700100	66	Solenoid valve*	YE32213100000
30	Screw M4 \times 15	YW69041500100	67	Connection nut	-
31	Cross socket head cap screw M4 \times 6	YW63040600000	68	Pressure switch	YE15002000100
32	Control box	YR40030600000	69	Blue air pipe	YR60060400000
33	Control box base	-	70	Pressure switch connector	-
34	Locknut M3	YW64000300000	71	Blower cover fixing base	-
35	Fixing base of baffle plate	BL20000601220	72	Hopper cover	-
36	Cross socket head cap screw M3 \times 40	YW63034000000	73	Washer	BP62352100050
37	Cross socket head cap screw M6 \times 20	YW63062000000	74	Reverse clean pipe nozzle	-

* means possible broken parts. ** means easy broken parts. A spare backup is suggested.

Please confirm the version of manual is compatible with equipment before placing the purchase order to guarantee that the item number of the spare part is in accordance with the real object.

23. Assembly Drawing (SAL-12U-EA)



Remarks: Please refer to material list 24 for specific explanation of the Arabic numbers in parts drawing.

24. Parts List (SAL-12U-EA)

No.	Name	Part No.	No.	Name	Part No.
1	Inner hexagon screw M6×15	YW61061600300	32	Extra large material tank	BL21001200621
2	Glass pipe down flange	YW32000600000	33	Cross socket head cap screw	YW63040600000
3	Glass pipe ring	YR10060200000	34	Control box	YR40030600000
4	Glass pipe *	YW70908000000	35	Control box base	BL21000602020
5	Flange connection shaft	BH10101100010	36	Set screw	YW68004500000
6	Glass pipe upper flange	YW32000600200	37	Photosensor fixing base	YW20061500000
7	Plastic handle screw M6×15	YW69621600000	38	Photosensor pressure block	BL21001210020
8	Non-return flap	BL21001200520	39	Cross sockethead cap screw M4×10	YW63041000000
9	Discharging port	BL27001200720	40	Photosensor	YE15143900000
10	Hopper flange	YW32000600100	41	Photosensor mounting block	-
11	Ventilation flange	-	42	Photosensor fixing plate	BL21001200120
12	Material storage tank	BL21001200820	43	Cross socket head cap screw M4×10	YW63041000000
13	Pipe clamp	BH11120400010	44	Filter cloth split washer**	YR40006000000
14	Locknut M4×0.7	YW64040700100	45	Hop-pocket **	BP82006000044
15	Flat washer 4	YW66040800000	46	Hopper ring *	YR10000600200
16	Snap hook	YW02003000400	47	Screw M5×10	YW64040700100
17	Block	YR40000600300	48	Upper hinge	BL32000600220
18	Screw M4×15	YW69041500100	49	Flat washer 5	YW66040800000
19	Screw M4×10	YW69041000000	50	Locknut	YW64000500000
20	Material inlet pipe ring	YR10061200000	51	Blower ring (down)	YR10070000000
21	Material inlet pipe	BL32001500020	52	Carbon brush motor	YM30965600000
22	Material inlet pipe fixing plate	BL20036000320	53	Blower ring (upper)	YP62141200000
23	Flat washer 4	YW66040800000	54	Blower fixing board	BL21000300420
24	Locknut M4×0.7	YW64040700100	55	Inner hexagon cylindrical screw M6×90	YW61069000100
25	Flat washer 5	YW66051000100	56	Locknut M6	YW64000600200
26	Locknut M5	YW64000500000	57	Blower shell	YR40036000000
27	Hinge pin	BH10006003110	58	Square aluminum handle	BW20012000040
28	Flat washer 8×22	YW66082200100	59	Inner hexagon cylindrical screw M6×20	YW61062000300
29	E-rings 6	YW63051000000	60	Spring washer	YW65006000000
30	Down hinge	BL32000600120	61	Flat washer 6	YW66061300000
31	Screw M5×10	YW64040700100	62	Cross socket head cap screw M5×15	YW62051500000
63	Quick connector	YW80031400000	70	Blue air pipe	YR60060400000
64	Connection nut 2	BH13030300010	71	Pressure switch connector	BH11103000010
65	Air accumulator	BL21000601420	72	Blower cover fixing base	BH10063200040
66	Connection nut 1	BH12030400410	73	Hopper cover	BL22001200721
67	Solenoid valve	YE32213000100	74	Mini-countersunk rivet screw M6	YW64060200000
68	Connection nut	-	75	Washer	BP62352100050
69	Pressure switch	YE15002000100	76	Reverse clean pipe nozzle	BH13033000810

* means possible broken parts. ** means easy broken parts. A spare backup is suggested.

Please confirm the version of manual is compatible with equipment before placing the purchase order to guarantee that the item number of the spare part is in accordance with the real object.