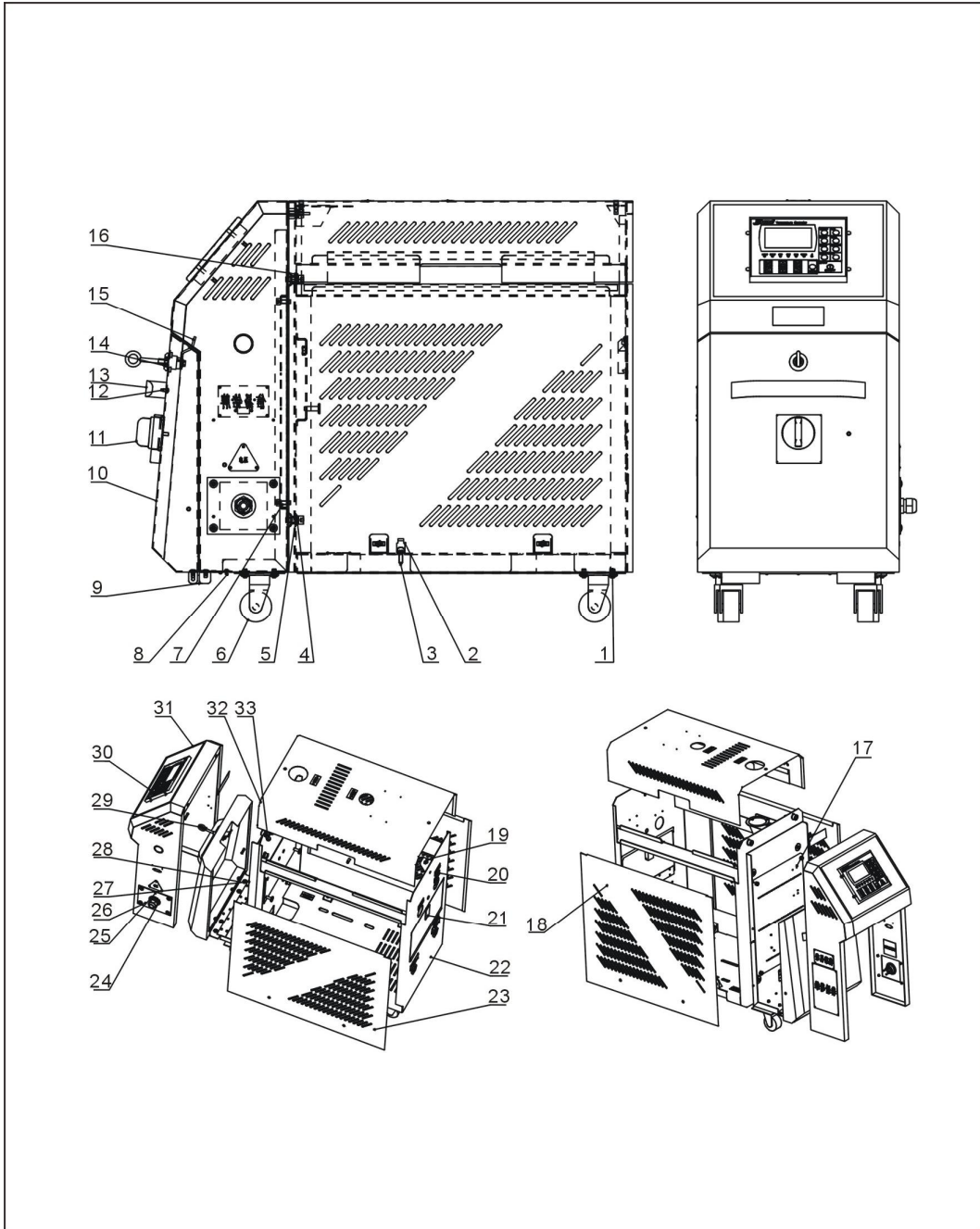


1. Assembly Drawing (STM-607M/910M)



Remarks: Please refer to material list 2 for specific explanation of the Arabic numbers in parts drawing.

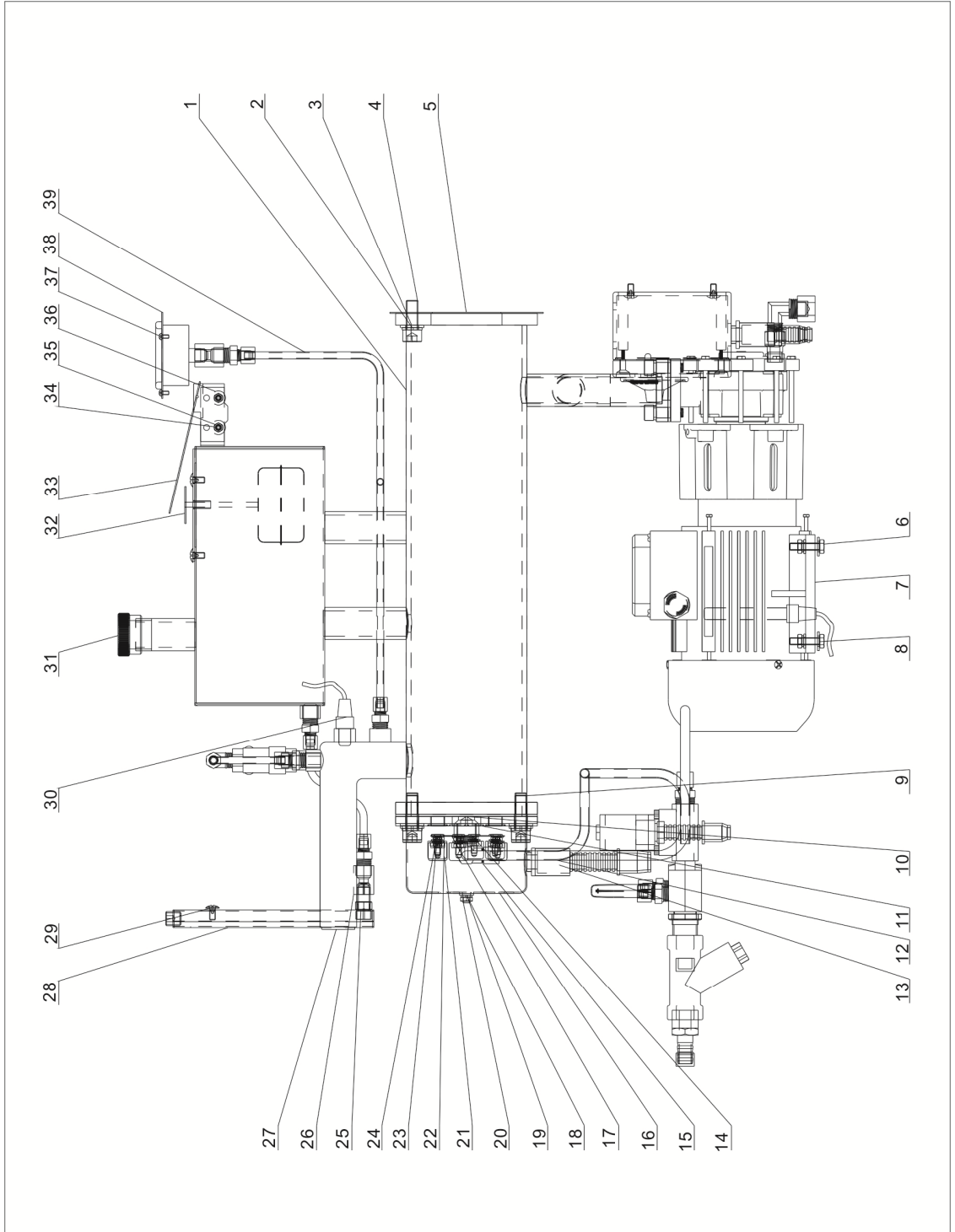
2. Parts List (STM-607M/910M)

No.	Name	Part No.	No.	Name	Part No.
1	Cross socket flat-head screw M6x10	YW62061000000	18	Right side plate	--
2	Fixing base	YR40018500000	19	Spring bolt	YW01051000000
3	Cross recessed pan head self-drilling tapping screw ST4.8x19	YW67481900000	20	Rivet 2x5	YW69020500000
4	Standard spring washer 8	YW65008000100	21	Plastic flexible buckle	YR40523040000
5	Inner hexagon cylindrical screw M8x20	YW61082001200	22	Rack	--
6	Castor	YW03000200000	23	Left side plate	--
7	Inner hexagon cylindrical screw M6x16	YW61061601200	24	Cable head	YE67002900000
8	Cross socket flat-head screw M3x6	YW63030600000	25	Cable	BE51250400450
9	Big hinge	YW06219100000	26	Wire fixture fixed plate	--
10	Door plank	--	27	Control box rear plate	STM-607-A-08
11	Main power switch	YE10021160000	28	Cross socket flat-head screw M5x10	YW62051000100
12	Cross socket flat-head screw M4x6	YW63040600000	29	Long door lock key	YW00040600200
13	Door-plate aluminum handle	YW20660900100	30	Controller	YE81184300200
14	Long door lock	YW00000000100	31	Control box	--
15	Door lock long sheet	YW00040600000	32	Cover plate	--
16	Flat gasket A 8	YW66081900000	33	Butterfly type screw M8x15	YW69081500000
17	Base plate of control box	--			

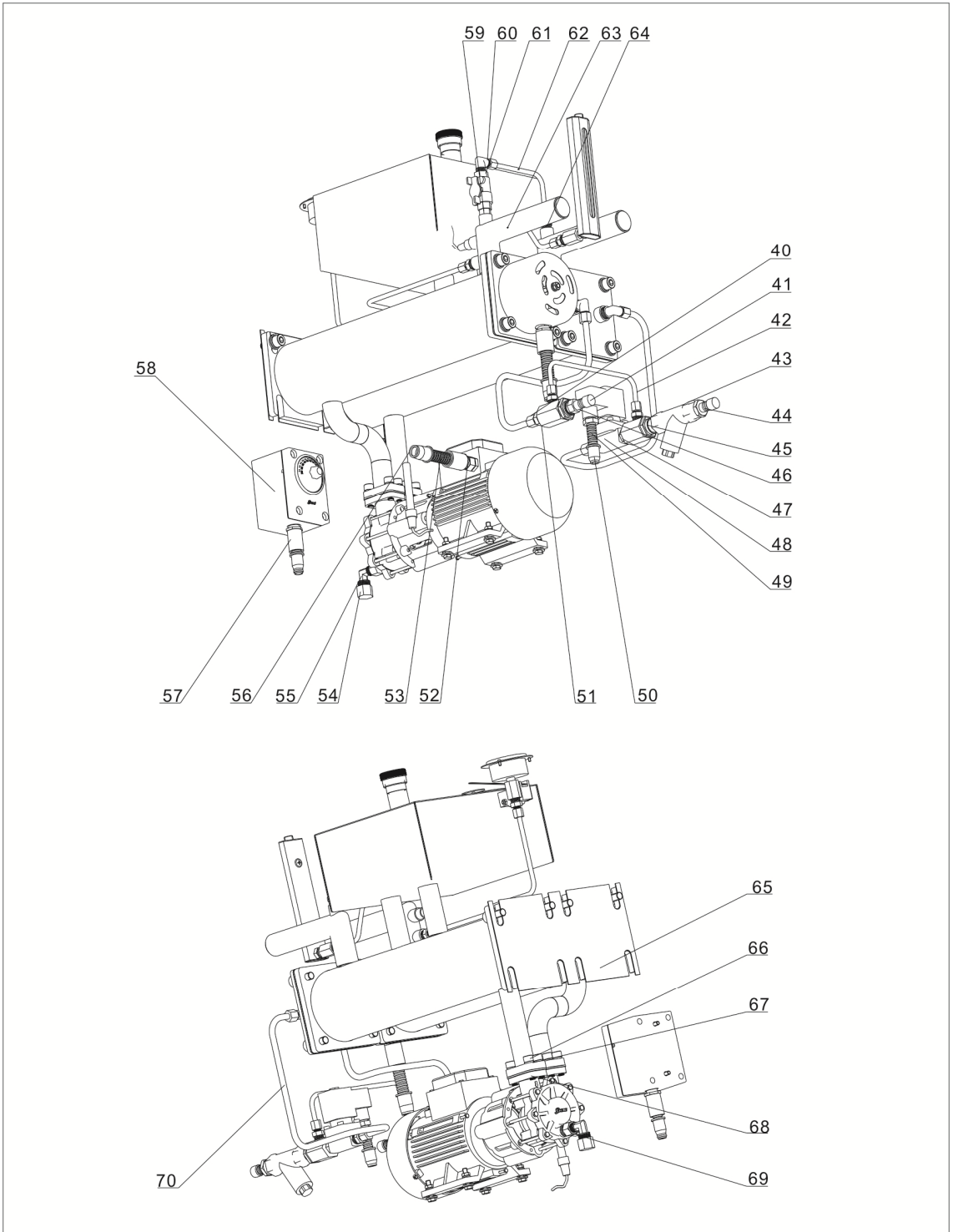
* means possible broken parts. ** means easy broken part. and spare backup is suggested.

Please confirm the version of manual before placing the purchase order to guarantee that the item number of the spare part is in accordance with the real object.

3. Machine Internal Structure Diagram (STM-607M/910M)



Please refer to material list 4 for specific explanation of the Arabic numbers in parts drawing.



Remarks: Please refer to material list 4 for specific explanation of the Arabic numbers in parts drawing.

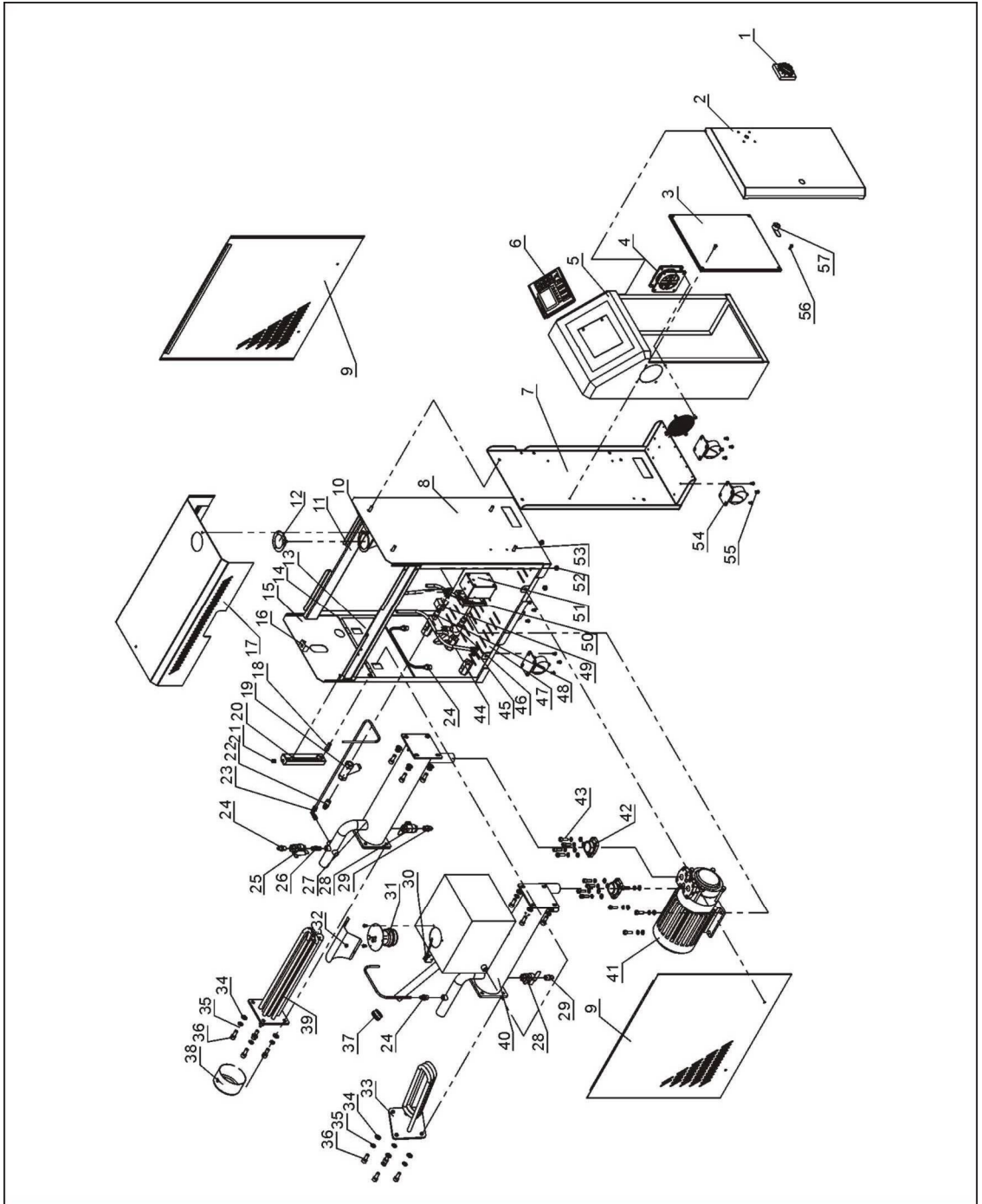
4. Parts List (STM-607M/910M)

No.	Name	Part No.	No.	Name	Part No.	
1	Cooling tank and oil tank	--	36	Heat insulation pad of liquid levelsensor	S-109	
2	Standard spring washer 10	YW65010000000	37	Cross recessed pan head screw M3x6	YW63030600000	
3	Flat gasket A 10	YW66102000100	38	Pressure gauge	YW85001000100	
4	Inner hexagon cylindrical screw M10x25	YW61102500000	39	Pressure gauge pipe	--	
5	Heat insulation cotton of heating tank mounting plate	--	40	Sleeve connector	YW05083800000	
6	Hexagon screw bolt M6x25	YW60062500000	41	Universal copper nut	YR30010200000	
7	Magnetic drive pump MP-55*	BM20005500950 BM20010000600	42	Water by-pass pipe	--	
8	Flat gasket A 8	YW66081900000	43	Y type waster strainer*	YW57010200000	
9	Inner hexagon cylindrical screw M10x30	YW61103000100	44	Copper joint	S-73	
10	Flexible graphite pad**	YR20121200000	45	The fourth set of copper connection	S-142	
11	Pipe heater assembly*	6kW	BH70060700650	46	Copper joint	S-85
		9kW	BH70091000450	47	Copper pipe coupler	S-07
12	Cooling water outlet pipe	--	48	Solenoid valve	YE32213100000	
13	Quick hose connector	YE67165800000	49	Nylon hose	YE66001300000	
14	Cooling pipe assembly	--	50	Hose bulkhead	YE67001340000	
15	Sleeve connector	YW05083800100	51	Copper and tri-poshen 3/8"	S-84	
16	Electric heating pipe cover	S-190	52	Quick hose connector	YE67111000000	
17	Copper gasket	YW66523400000	53	Nylon hose	YE66015800000	
18	Standard spring washer 6	YW65060000000	54	Copper teflon plug	S-171	
19	Flat gasket A 6	YW66061300000	55	Copper teflon connection	YW04030800400	
20	Hexagon nut M6	YW64000600300	56	Hose bulkhead	YE67015800100	
21	Safety ceramic cap 3/16	YP51031640000	57	Quick hose connector	YE67109000000	
22	Plastic plug 4" single-hole red	YR30000400100	58	High temperature tester	BH90115000050	
23	Standard spring washer 5	YW65050000000	59	Pipe coupler	S-08	
24	Flat gasket A 5	YW66051300000	60	Sleeve connector	YW05061400100	
25	Liquid level indicator nut	S-82	61	Butterfly ball valve	YW50220000000	
26	H-PT connector	S-199	62	Oil by-pass pipe	--	
27	Plastic plug without nut	YR40251500100	63	Liquid level indicator pipe	--	
28	Liquid level indicator assembly	--	64	Sleeve connector	YW05061400000	
29	Cross socket flat-head screw M5x10	YW62051000100	65	Heating tank		
30	Thermocouple*	BE90341500050	66	Inner hexagon cylindrical screw M8x25	YW61082500000	
31	Aluminum oil cap	S-30	67	Standard spring washer 8	YW65008000100	
32	Float ball	--	68	Graphite washer	YR10551500000	
33	Micro switch*	YE14152400000	69	Lengthened screw for oil discharge	--	
34	Hexagon nut M4	YW64000400500	70	Cooling water inlet pipe	--	
35	Cross recessed pan head screw M4x25	YW63042500000				

* means possible broken parts. ** means easy broken part. and spare backup is suggested.

Please confirm the version of manual before placing the purchase order to guarantee that the item number of the spare part is in accordance with the real object.

5. Assembly Drawing (STM-1220M)



Remarks: Please refer to material list 6 for specific explanation of the Arabic numbers in parts drawing.

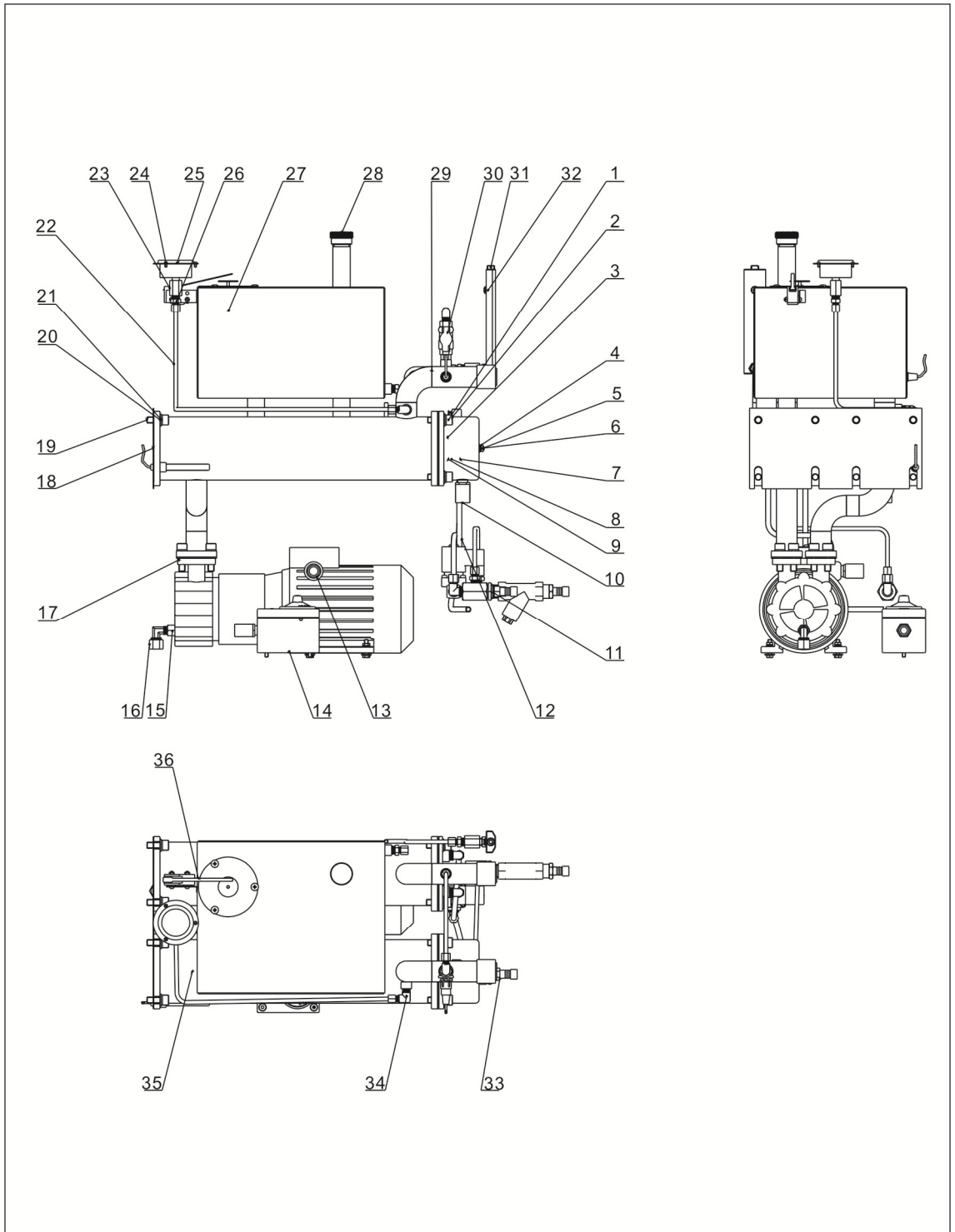
6. Parts List (STM-1220M)

No.	Name	Part No.	No.	Name	Part No.
1	Main power switch	YE10010000000	30	Microswitch*	YE14152400000
2	Door plate	-	31	Float ball*	-
3	Base plate of electric components box	-	32	Switch cover plate	-
4	Fan with fan guard	YM60922500100	33	Cooling pipe	-
5	Electric components box	-	34	Flat gasket 10	YW66102500000
6	HANYOUNG controller	YE81100010000	35	Elastic gasket 10	YW65010000000
7	Electric control box rear plate and caster mounting plate	-	36	Inner hexagon cylindrical screw M10×25	YW61102500000
8	Clapboard	-	37	Oil cap	BH12030403040
9	Side plate	-	38	Pipe heater cover	BL80091000120
10	Pressure gauge fixing plate	-	39	Pipe heater	BH70122000050
11	Crossbeam	-	40	Cooling tank	-
12	Pressure gauge	YW85001000100	41	Pump MP-100	BM20010000600
13	Rear plate mini cover	-	42	Pump flange	-
14	Fixing plate of rear plate mini cover	-	43	Inner hexagon cylindrical screw M10×30	YW61103000100
15	Rear plate	-	44	Copper tee joint 1/4"PT	BH12010400010
16	Plate cover fixing plate	-	45	Copper teflon pipe connector 3/8H×1/4PT	YW04030800400
17	Plate cover	-	46	1/4" Stainless steel tee joint	YW52010400000
18	External thread 1/4PT×1/4H	-	47	Base plate	-
19	Water filter 1/2	YW57010200000	48	Copper pipe coupler 3/8PT×1/4PT	BH12010400310
20	Liquid level indicator	-	49	Solenoid valve 3/8***	YE32215400000
21	Set screws M12	YW68121000000	50	Copper teflon pipe connector 3/8H×3/8PT(L type)	YW04030800300
22	3/8"PT×13 Copper connector	BH12030801110	51	EGO protective box	YR40000400300
23	Copper teflon pipe connector 1/4H×1/4PT(L type)	YW04010400400	52	M8 Screw	YW64080600000
24	Copper teflon pipe connector 1/4H×1/4PT	BH12010400410	53	Inner hexagon cylindrical screw M8×15	YW60081600100
25	Copper ball core valve 1/4"	YY60001430000	54	Caster 2.5"	YW03002500000
26	Copper pipe coupler 1/4"	BH12010400110	55	Lentil-headed screw M6×10	YW63061000000
27	Heating tank	-	56	Lentil-headed screw M6×15	YW63061500000
28	Stainless steel ball valve 3/8"	YW50030800100	57	Long gear lock	YW0000000100
29	Copper teflon pipe connector 3/8H×3/8PT	BH12030800610			

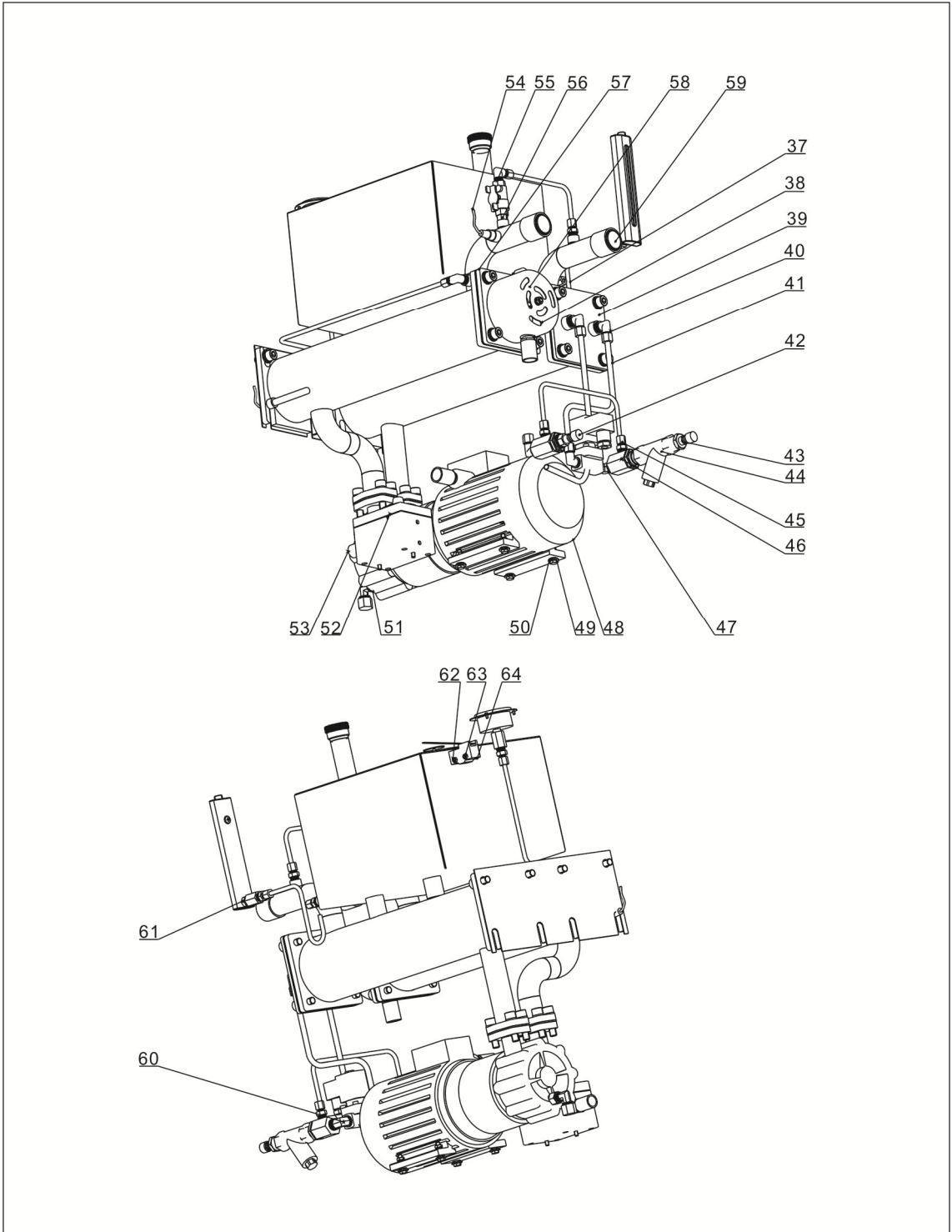
* means possible broken parts. ** means easy broken part. and spare backup is suggested.

Please confirm the version of manual before placing the purchase order to guarantee that the item number of the spare part is in accordance with the real object.

7. Machine Internal Structure Diagram (STM-1220M)



Please refer to material list 8 for specific explanation of the Arabic numbers in parts drawing.



Remarks: Please refer to material list 8 for specific explanation of the Arabic numbers in parts drawing.

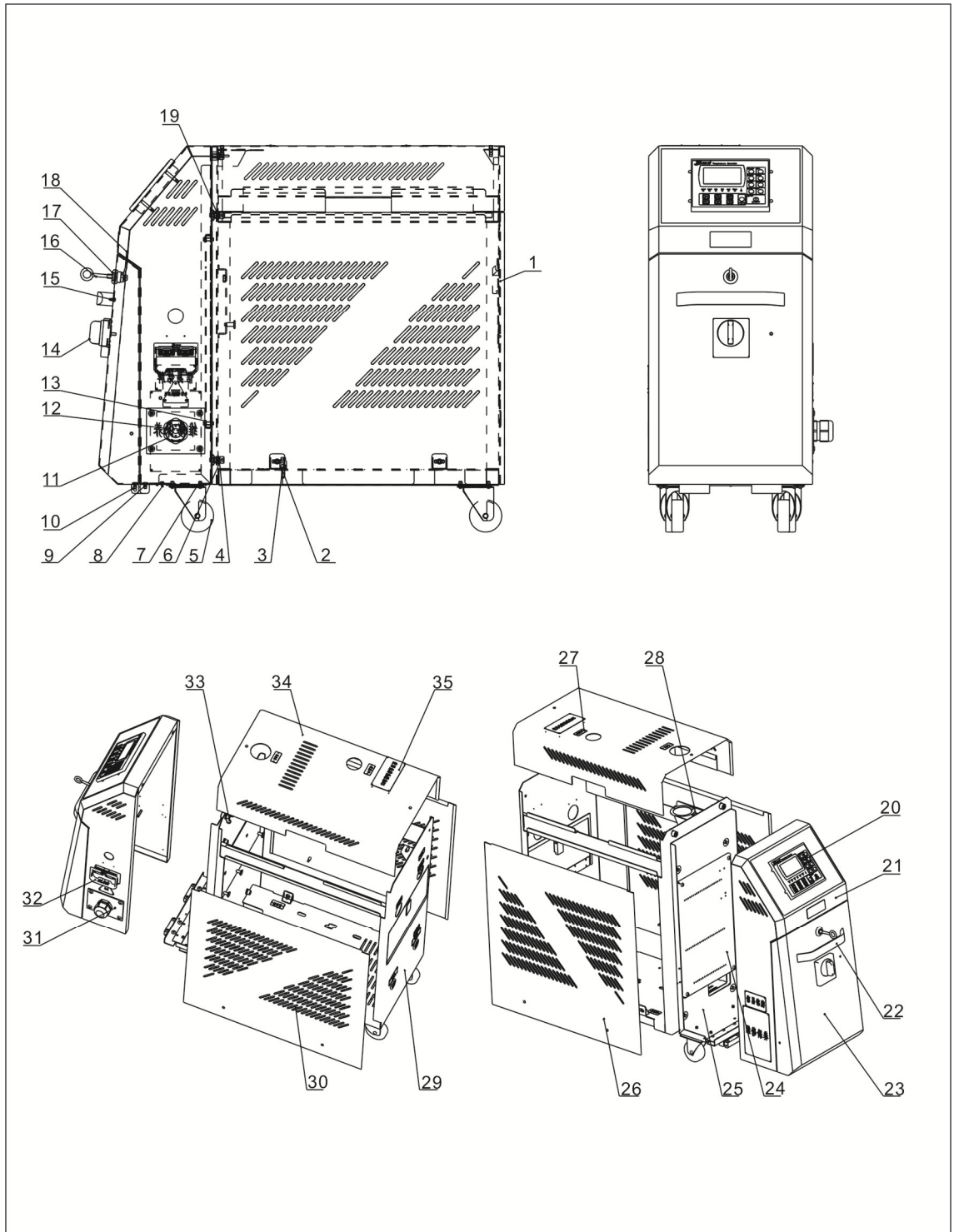
8. Parts List (STM-1220M)

No.	Name	Part No.	No.	Name	Part No.
1	Copper gasket	YW66523400000	33	Copper inserted core	S-85
2	Inner hexagon cylindrical screw M10x30	YW61103000100	34	Sleeve connector	YW05061400100
3	Plastic plug 4" single-hole red	YR30000400100	35	Heating tank	-
4	Standard spring washer 6	YW65060000000	36	Micro switch	YW14152400000
5	Hexagon nut M6	YW64000600300	37	Liquid level indicator pipe	-
6	Flat gasket A 6	YW66061300000	38	Electric heating pipe cover	S-109
7	Safety ceramic cap 3/16	YP51031640000	39	Cooling pipe assembly	-
8	Standard spring washer 5	YW65050000000	40	Sleeve connector	YW05083800100
9	Flat gasket A 5	YW66051300000	41	Cooling water outlet of cooling tank	-
10	Quick hose connector	YE67165800000	42	Copper plug	YR30010200000
11	Copper and tri-poshen 3/8"	S-84	43	Copper inserted core	S-73
12	Water outlet of cooling water	--	44	Y type water strainer*	YW57010200000
13	Quick hose connector	YE67111000000	45	Cooling water by-pass pipe	-
14	High temp. tester	BH90115000050	46	No.4 set of copper connector	S-142
15	Copper teflon connection	YW04030800400	47	Pipe coupler	YW59383800100
16	Teflon plug	S-171	48	Magnetic driven pump MP-100*	MP-100
17	Inner hexagon cylindrical screw M10x35	YW61103500000	49	Hexagon screw bolt M6x25	YE60062500000
18	Heat insulation cotton of heating tank mounting plate	-	50	Flat gasket A 8	YW66081900000
19	Inner hexagon cylindrical screw M10x25	YW61102500000	51	Lengthened screw for oil discharge	-
20	Flat gasket A 10	YW66102000100	52	MP-100 Graphite gasket *	YR10110000000
21	Standard spring washer 10	YW65010000000	53	Quick hose connector	YE67109000000
22	Pressure gauge pipe	-	54	Thermocouple	BE90341500050
23	H-PT connector	BH12060701710	55	Butterfly ball valve *	YW50220000000
24	Cross recessed raised countersunk head screw M3x8	YW63030600000	56	Pipe coupler	S-08
25	Pressure gauge	YW85001000100	57	Electric heating pipe cover *	-
26	Sleeve connector	YW05061400000	58	Flexible graphite gasket	YR20121200000
27	Float ball	-	59	Plastic plug without nut	YR40251500100
28	Aluminum oil cap	S-30	60	Solenoid valve * 24V	YE32382400000
29	Cooling tank and oil tank	-	61	Liquid level indicator nut	S-82
30	Hot oil by-pass valve	-	62	Cross socket head cap screw M4x25	YW63042500000
31	Liquid level indicator assembly	-	63	Hexagon nut M4	YW64000400500
32	Cross recessed raised countersunk head screw M5x10	YW62051000100	64	Heat insulation pad of liquid level sensor	S-109

* means possible broken parts. ** means easy broken part. and spare backup is suggested.

Please confirm the version of manual before placing the purchase order to guarantee that the item number of the spare part is in accordance with the real object.

9. Housing Metal Plate Drawing (STM-1220M)



Remarks: Please refer to material list 10 for specific explanation of the Arabic numbers in parts drawing.

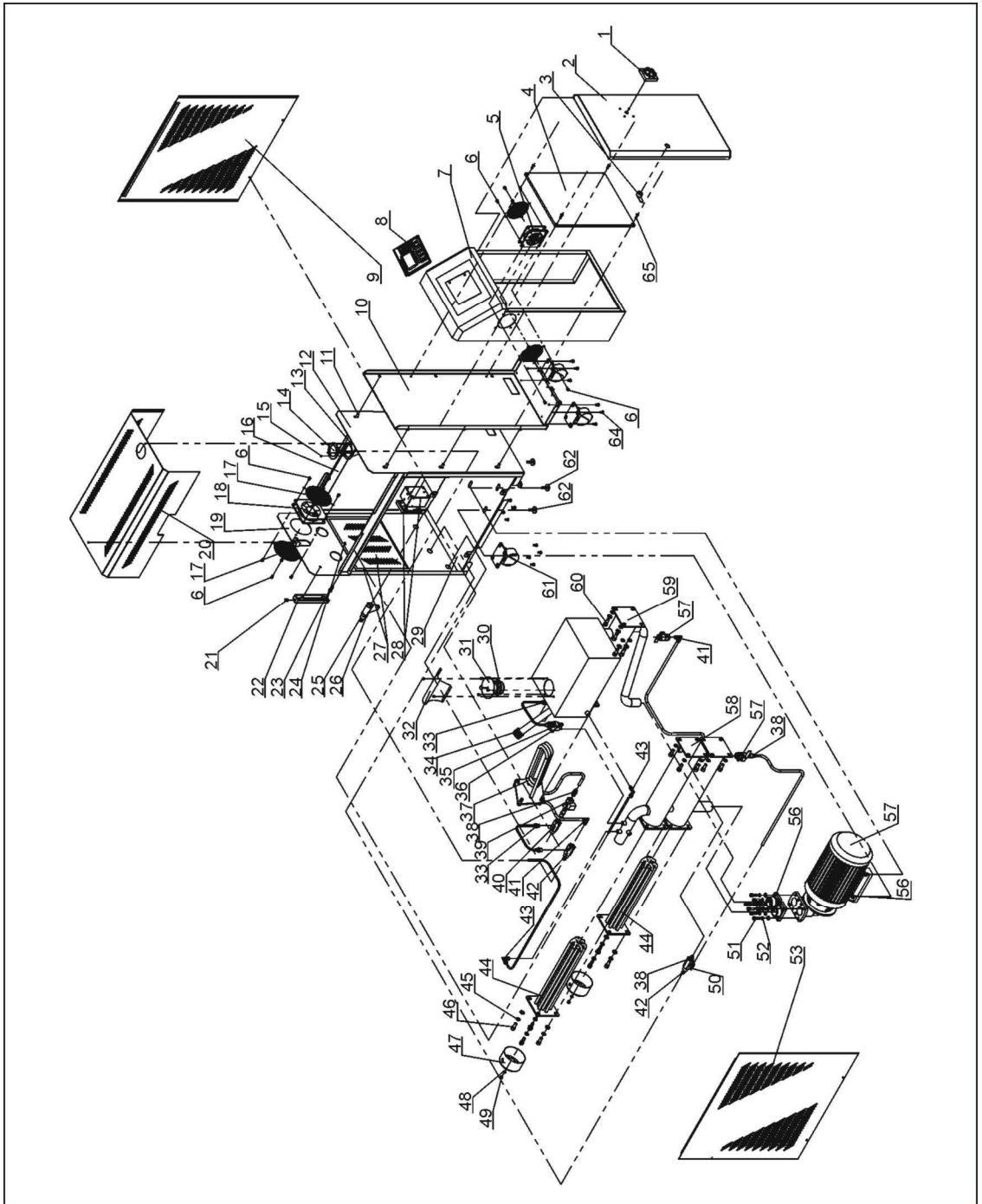
10. Housing Metal Plate Parts List (STM-1220M)

No.	Name	Part No.	No.	Name	Part No.
1	Plastic flexible buckle	YR40523040000	19	Flat gasket A 8	YW66081900000
2	ross recessed pan head self-drilling tapping screw ST4.8x19	YW67481900000	20	Controller	YE81184300200
3	Fixed base	YR400185000000	21	Control box	-
4	Standard spring washer 8	YW65008000100	22	Door-plate aluminum handle	YW20660900100
5	Castor	YW03002500000	23	Door-plate	-
6	Inner hexagon cylindrical screw M8x20	YW61082001200	24	Base plate of control box	-
7	Cross recessed raised countersunk head screw M6x10	YW62061000000	25	Control box rear plate	-
8	cross recessed pan head thread forming screw M4x6	YW67040600600	26	Right side plate	-
9	Cross recessed raised countersunk head screw M5x10	YW62051000100	27	Rivet 2x5	YW69020500000
10	Big hinge	YW06219100000	28	Spring bolt	YW01051000000
11	Cable head *	YE67002900000	29	Rack	-
12	Power cable *	BE51250400450	30	Left side plate	-
13	Inner hexagon round head screw M6x16	YW61061600100	31	Fixing board of wire clamps	-
14	Main power switch	YE10021160000	32	RS485 Communication interface	-
15	Cross socket head cap screw M4x6	YW63040600000	33	Butterfly bolt M8x15	YW69081500000
16	Long door lock key	YW00040600200	34	Cover plate	-
17	Long door lock	YW00000000100	35	Aluminum plate label	YP31118600600
18	Door lock long sheet	YW00040600000			

* means possible broken parts. ** means easy broken part. and spare backup is suggested.

Please confirm the version of manual before placing the purchase order to guarantee that the item number of the spare part is in accordance with the real object.

11. Assembly Drawing (STM-2440M)



Remarks: Please refer to material list 12 for specific explanation of the Arabic numbers in parts drawing.

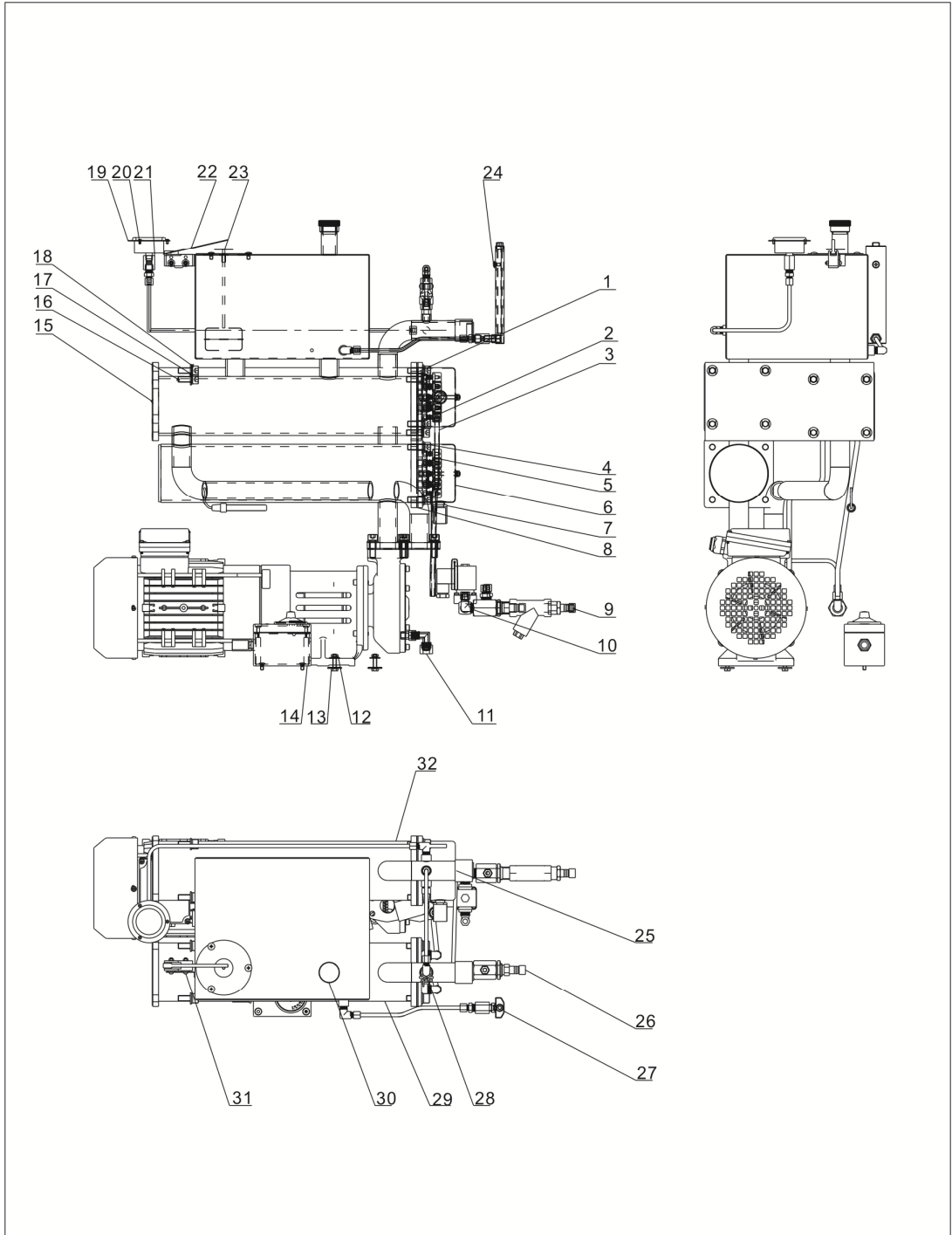
12. Parts List (STM-2440M)

No.	Name	Part No.	No.	Name	Part No.
1	Main power switch*	YE10010000000	34	Oil cap	BH12030403040
2	Door plate	-	35	Copper ball core valve 1/4"	YY60001430000
3	Long gear lock	YW00000000100	36	Copper pipe coupler 1/4"	BH12010400110
4	Fixing plate of electric components	-	37	Cooling pipe	-
5	Fan with fan guard	YM60922500100	38	Copper teflon pipe connector 3/8H×3/8PT	BH12030800610
6	Thick head screw M6×10	YW63061000000	39	Solenoid valve* 3/8"	YE32382400000
7	Electric control box	-	40	Copper tee joint 3/8"	BH12030800010
8	HANYOUNG controller	YE81100010000	41	Copper teflon pipe connector 3/8H×3/8PT(L typen)	YW04030800300
9	Side plate (right)	-	42	Copper connector 2	-
10	Electric control box rear plate	-	43	Copper teflon pipe connector 1/4H×1/4PT(L type)	YW04010400400
11	Inner hexagon cylindrical screw M8×16	YW60081600100	44	Pipe heater*	BH70122000050
12	Clapboard	-	45	Elastic gasket 10	YW65010000000
13	Pressure gauge fixing plate	-	46	Inner hexagon cylindrical screw M10×25	YW61102500000
14	Pressure gauge	YW85001000100	47	Electric heating pipe shield	BL80091000120
15	Thick head screw M3×5	YW63030600000	48	Flat gasket 6	YW66061300000
16	Crossbeam	-	49	Screw M6	YW64000600300
17	Fan guard	YM60423000000	50	Copper teflon pipe connector 3/8H×1/4PT(L type)	YW04030800200
18	Fan guard	YM60423000000	51	Inner hexagon cylindrical screw M8×25	YW61082500100
19	Rear plate	-	52	Elastic gasket 8	YW65008000100
20	Cover plate	-	53	Side plate (left)	-
21	Set screw M12	YW68121000000	54	Screw M8	YW64080600000
22	Liquid level indicator*	-	55	Pump (MP-280)*	BM20283300050
23	External thread1/4PT×1/4H	-	56	Pump flange	-
24	Butterfly screwM6×15	YW69061500000	57	Ball valve 3/8**	YW50030800100
25	Core 3/8"×1/2PT	BH12131200010	58	Heating tank	-
26	Water filter 1/2	YW57010200000	59	Cooling tank	-
27	Rear plate mini cover and mini cover fixing plate	-	60	Inner hexagon cylindrical screw M10×20	YW61102000000
28	EGO protective box	YR40000400300	61	Brake rubber tire 3"	YW03000300000
29	Base plate	-	62	Hexagon head screw M8×30	YW60083000100
30	Float ball	-	63	Flat gasket 8	YW66082200100
31	Float ball cover plate	-	64	Hexagon head screw M6×10	YW60061000000
32	Switch cover plate	-	65	Lentil-headed screw M6×15	YW63061500000
33	Copper teflon pipe connector 1/4H×1/4PT	BH12010400410			

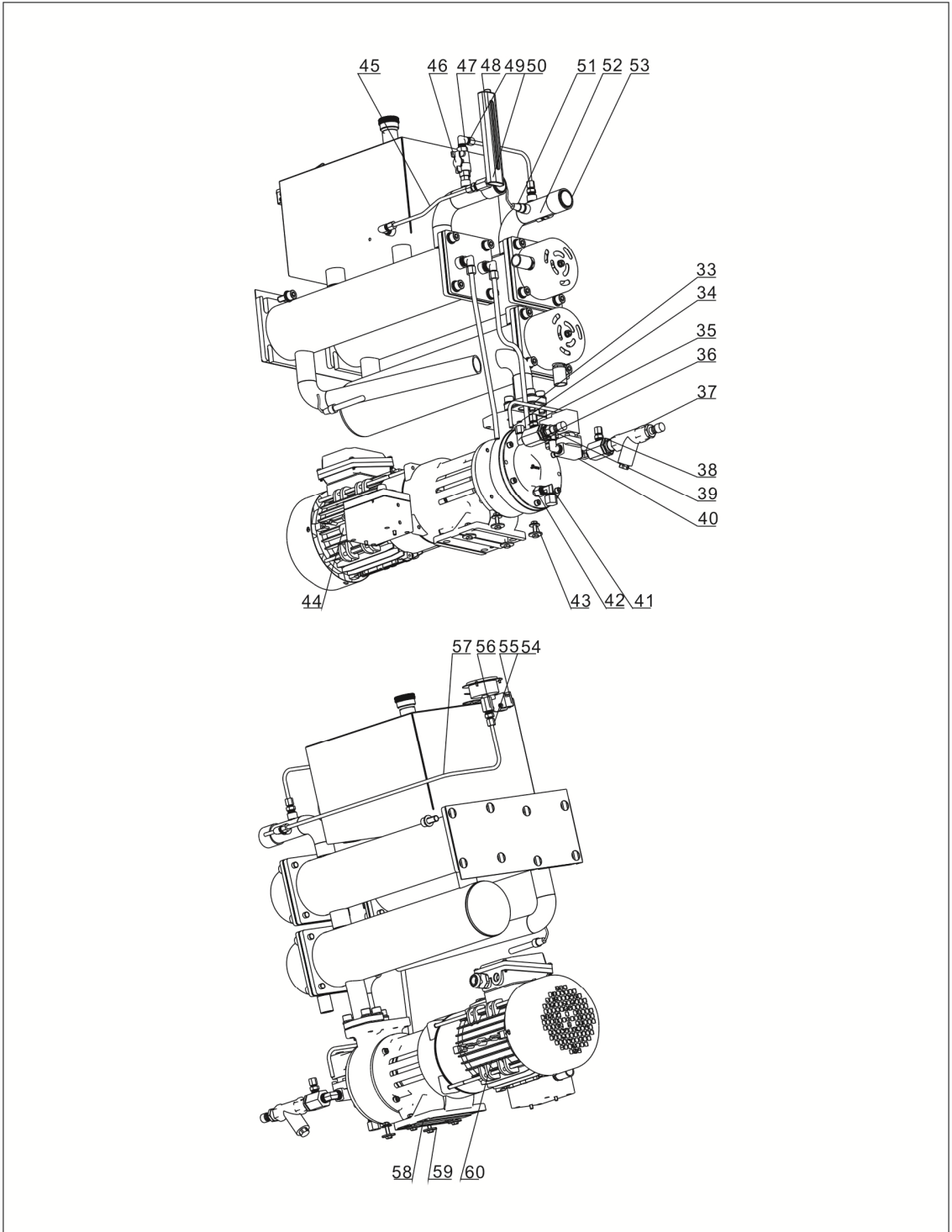
* means possible broken parts. ** means easy broken part. and spare backup is suggested.

Please confirm the version of manual before placing the purchase order to guarantee that the item number of the spare part is in accordance with the real object.

13. Machine Internal Structure Diagram (STM-2440M)



Remarks: Please refer to material list 14 for specific explanation of the Arabic numbers in parts drawing.



Remarks: Please refer to material list 14 for specific explanation of the Arabic numbers in parts drawing.

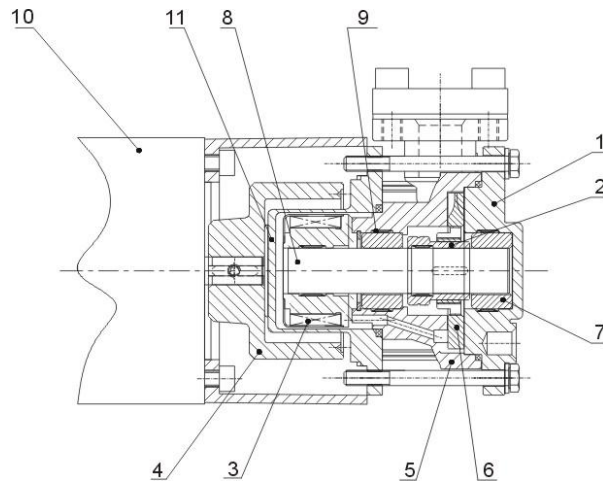
14. Parts List (STM-2440M)

No.	Name	Part No.	No.	Name	Part No.
1	Cooling pipe assembly	-	31	Cross socket head cap screw M4x25	YW63042500000
2	Sleeve connector	YW05083800100	32	Heating tank	-
3	Cooling water outlet pipe of cooling tank	-	33	Flange gasket	YR10150000000
4	Inner hexagon cylindrical screw M10x30	YW61103000100	34	Cooling water outlet pipe of oil tank	-
5	Electric heating pipe assembly	-	35	Cooling water inlet pipe of cooling tank	-
6	Electric heating pipe cover	S-190	36	Copper and tri-poshen 3/8"	S-84
7	Quick hose connector	YE67165800000	37	Y type water strainer	YW57010200000
8	Flexible graphite gasket	YR20121200000	38	No.4 set of copper connector	S-142
9	Copper inserted core	S-73	39	Copper inserted core	S-85
10	Solenoid valve 24V	YE32382400000	40	Pipe coupler	YW59383800100
11	Teflon plug	S-171	41	Copper teflon connector	YW04030800400
12	Hexagon nut M6	YW64000600300	42	Lengthened screw for oil discharge	-
13	Hexagon screw bolt M6x25	YW60062500000	43	Standard spring washer 6	YW65060000000
14	High temperature tester	BH90115000050	44	Quick hose connector	YE67109000000
15	Heat insulation cotton of heating tank mounting plate	-	45	Liquid level indicator pipe	-
16	Inner hexagon cylindrical screw M10x25	YW61102500000	46	Butterfly ball valve	YW50220000000
17	Flat gasket A 10	YW66102000100	47	Sleeve connector	YW05061400100
18	Standard spring washer 10	YW65010000000	48	Flat gasket A 5	YW66051300000
19	Pressure gauge	YW85001000100	49	Oil by pass pipe	-
20	Cross socket head cap screw M3x6	YW63030600000	50	Liquid level indicator nut	S-82
21	H-PT connector	BH12060701710	51	Thermocouple	BE90342500050
22	Micro switch	YE14152400000	52	1/4" pipe internal thread	S-100
23	Float ball	-	53	Plastic plug without nut	YR40251500100
24	Cross recessed raised countersunk head screw M5x10	YW62051000100	54	Sleeve connector	YW05061400000
25	Flat gasket A 6	YW66061300000	55	Heat insulation pad of liquid level sensor	S-109
26	Copper plug	YR30010200000	56	Hexagon nut M4	YW64000400500
27	Liquid level indicator assembly	-	57	Pressure gauge pipe	-
28	Pipe coupler	S-08	58	Big gasket A	YW66061800000
29	Cooling tank	-	59	Big gasket C	YW66082200100
30	Aluminum oil cap	S-30	60	Magnetic driven pump MP-280	BM20280000650

* means possible broken parts. ** means easy broken part. and spare backup is suggested.

Please confirm the version of manual before placing the purchase order to guarantee that the item number of the spare part is in accordance with the real object.

15. Pump



Part Name:

- | | | |
|------------------------------|--------------------|------------------------------|
| 1. Pump Cover | 2. Shaft Sleeve | 3. Internal Magnetic Coupler |
| 4. External Magnetic Coupler | 5. Pump Body | 6. Impeller |
| 7. Carborundum Bearing | 8. Ceramic Rod | 9. Fastener |
| 10. Motor | 11. Magnetic Cover | |