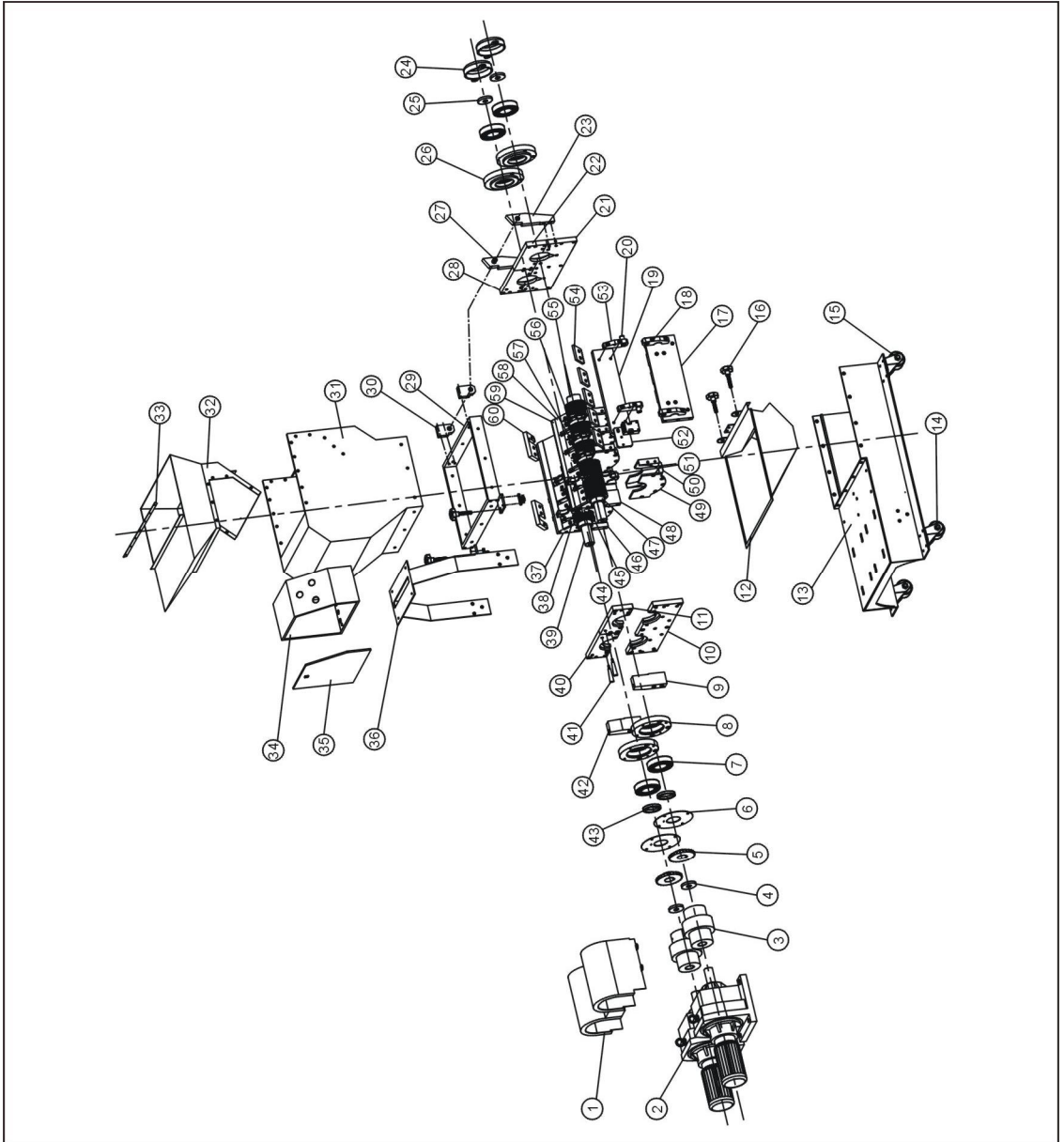


# 1. System Structure (SG-24T)



Note: Please refer to material list 2 about the parts code.

## 2. Parts List (SG-24T)

SG-2436T					
No.	Name	Parts No.	No.	Name	Parts No.
1	Shaft coupler cover	-	31	Feed box	BR90243600010
2	Gearmotor (2.2KW)	YM10773100100	32	Feed port	-
3	Shaft coupler	YW11000900000	33	Shot-proof strip fixed plate	-
4	Special washer 2	BL51240004120	34	Control cabinet housing	-
5	Wheel sensor	BH10002404010	35	Control cabinet side plate	-
6	Rear bearing seat cover	-	36	Control cabinet support	-
7	Bearing	YW11621300000	37	Right case block at top	BW30243680010
8	Rear bearing seat	BW30024003710	38	Fixed rear blade T	YW40024003000
9	Locating block 2(左)	BH10024001610	39	Shaft	BH10002436010
10	Back bearing holder at bottom	BH10240200110	40	Back bearing holder at top 1	BH10240000610
11	Back bearing holder at top 2	BH10240000710	41	Handle	YW00121400000
12	Storage bin	-	42	Locating block 2 (right)	BH10024001510
13	Base	-	43	Stop ring	BH10002401110
14	Movable caster	YW03000300600	44	Mid case block at top 1	BW30124300010
15	Fixed caster	YW03000300500	45	Mid Staggered blade T	YW40240003200
16	Star know assemblyM12	BH11125600010	46	Right case block at bottom	BH10243602210
17	Left case block at bottom	BH10243602310	47	Right shaft sleeve	BW30002400110
18	Cutting chamber turning block 2	BH10240900210	48	Mid case block at bottom	BH10243604210
19	Left case block at top	BW30240680010	49	Middle plate 2	BH10002400910
20	Cutting chamber shaft	BH10204400010	50	Middle plate 1	BH10002400710
21	Front bearing holder at bottom	BH10240200010	51	Staggered blade *	BW40240500010
22	Front bearing holder at top 2	BH10240000510	52	Safety switch fixed plate	-
23	Locating block 5	BH10524000010	53	Cutting chamber turning block 1	BH10240900110
24	Bearing cover	BL51002402420	54	Fixed rear blade B	YW40024000300
25	Special washer	BL51240003920	55	Left shaft sleeve	BW30024000210
26	Front bearing base	BW30002403610	56	Teeth cutter R*	YW40024000400
27	Feed box shaft	BH10184900010	57	Fixed front blade F2	YW40024000200
28	Front bearing holder at top 1	BH10240000410	58	Fixed front blade F1	YW40024000100
29	Feed box base	BL51243600621	59	Mid case block at top 2	BW30224300010
30	Feed box turning block 1	BH10241300110	60	Fixed front blade T	YW40024003100
SG-2446T					
No.	Name	Parts No.	No.	Name	Parts No.
1	Shaft coupler cover	-	31	Feed box	BR90244601010
2	Gearmotor (2.2KW)	YM10773100100	32	Feed port	-

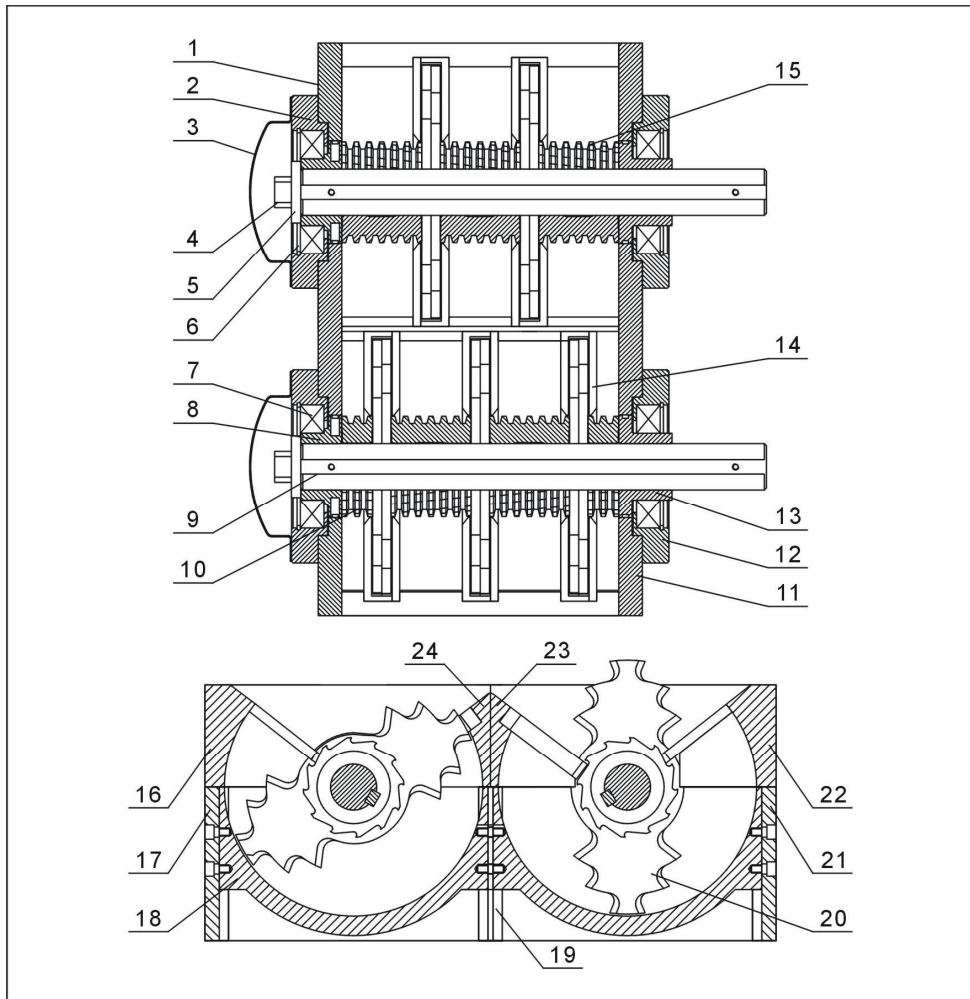
3	Shaft coupler	YW11000900000	33	Shot-proof strip fixed plate	-
4	Special washer 2	BL51240004120	34	Control cabinet housing	-
5	Wheel sensor	BH10002404010	35	Control cabinet side plate	-
6	Rear bearing seat cover	-	36	Control cabinet support	-
7	Bearing	YW11621300000	37	Right case block at top	BW30244600210
8	Rear bearing seat	BW30024003710	38	Fixed rear blade T	YW40024003000
9	Locating block 2 (left)	BH10024001610	39	Shaft	BH11244601010
10	Back bearing holder at bottom	BH10240200110	40	Back bearing holder at top 1	BH10240000610
11	Back bearing holder at top 2	BH10240000710	41	Handle	YW00121400000
12	Storage bin	-	42	Locating block 2 (right)	BH10024001510
13	Base	-	43	Stop ring	BH10002401110
14	Movable caster	YW03000300600	44	Mid case block at top 1	BW30243600010
15	Fixed caster	YW03000300500	45	Mid Staggered blade T	YW40240003200
16	Star know assembly M12	BH11125600010	46	Right case block at bottom	BH10244602210
17	Left case block at bottom	BH10244602310	47	Right shaft sleeve	BW30002400110
18	Cutting chamber turning block 2	BH10240900210	48	Mid case block at bottom	BH10244601510
19	Left case block at top	BW30244600310	49	Middle plate 2	BH10002400910
20	Cutting chamber shaft	BH10204400010	50	Middle plate 1	BH10002400710
21	Front bearing holder at bottom	BH10240200010	51	Staggered blade *	BW40240500010
22	Front bearing holder at top 2	BH10240000510	52	Safety switch fixed plate	-
23	Locating block 5	BH10524000010	53	Cutting chamber turning block 1	BH10240900110
24	Bearing cover	BL51002402420	54	Fixed rear blade B	YW40024000300
25	Special washer	BL51240003920	55	Left shaft sleeve	BW30024000210
26	Front bearing base	BW30002403610	56	Teeth cutter R*	YW40024000400
27	Feed box shaft	BH10184900010	57	Fixed front blade F2	YW40024000200
28	Front bearing holder at top 1	BH10240000410	58	Fixed front blade F1	YW40024000100
29	Feed box base	BL51244600321	59	Mid case block at top 2	BW30244600110
30	Feed box turning block 1	BH10241300110	60	Fixed front blade T	YW40024003100

\* means possible broken parts.

\*\* means easy broken part. and spare backup is suggested.

Please confirm the version of manual before placing the purchase order to guarantee that the item number of the spare part is in accordance with the real object.

### 3. Cutting Chamber and Blade Rest

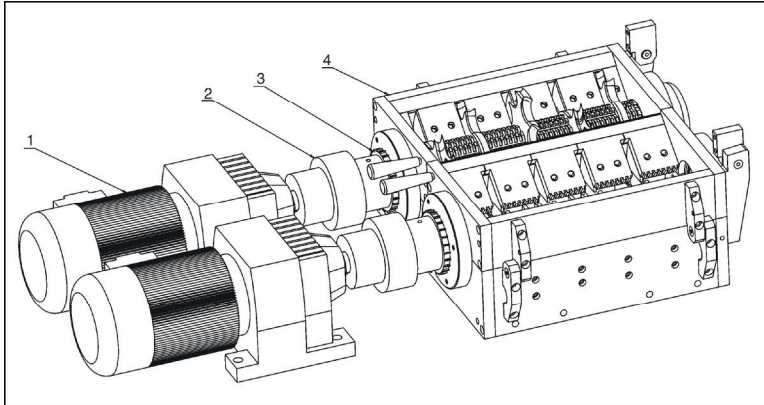


Note: Please refer to material list 4 about the parts code.

#### 4. Cutting Chamber and Blade Rest Parts List

No.	Name	Quantity	
		SG-2436T	SG-2446T
1	Front bearing holder at bottom	1	1
2	Front bearing base	2	2
3	Bearing cover	2	2
4	Hexagon socket head cap screw M20 × 50	2	2
5	Special washer	2	2
6	Internal circlip	4	4
7	Bearing	4	4
8	Right shaft sleeve	2	2
9	Shaft	2	2
10	Mid Staggered blade T	2	2
11	Back bearing holder at bottom	1	1
12	Rear bearing seat	2	2
13	Left shaft sleeve	2	2
14	Middle plate 2	7	9
15	Teeth cutter R	7	9
16	Left case block at top	1	1
17	Left case block at bottom	1	1
18	Middle plate 1	7	9
19	Mid case block at bottom	1	1
20	Staggered blade	7	9
21	Right case block at bottom	1	1
22	Right case block at top	1	1
23	Mid case block at top 1	1	1
24	Mid case block at top 2	1	1

## 5. Transmission

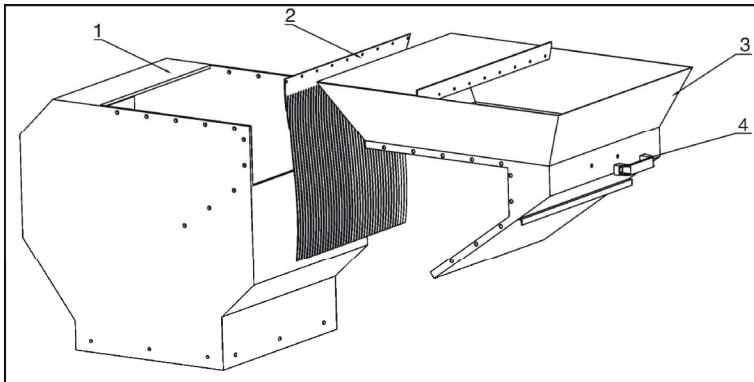


Note: Please refer to material list 6 about the parts code.

## 6. Transmission Parts List

No.	Name	Quantity	
		SG-2436T	SG-2446T
1	Reduction gear	2	2
2	Coupling	2	2
3	Inductive wheel	2	2
4	Cutting chamber	1	1

## 7. Feed Box, Feed Port and Material Stopper



Note: Please refer to material list 8 about the parts code.

## 8. Feed Box, Feed Port and Material Stopper Parts List

No.	Name	Quantity	
		SG-2436T	SG-2446T
1	Feed box	1	1
2	Material stopper	1	1
3	Feed port	1	1
4	Handle	1	1