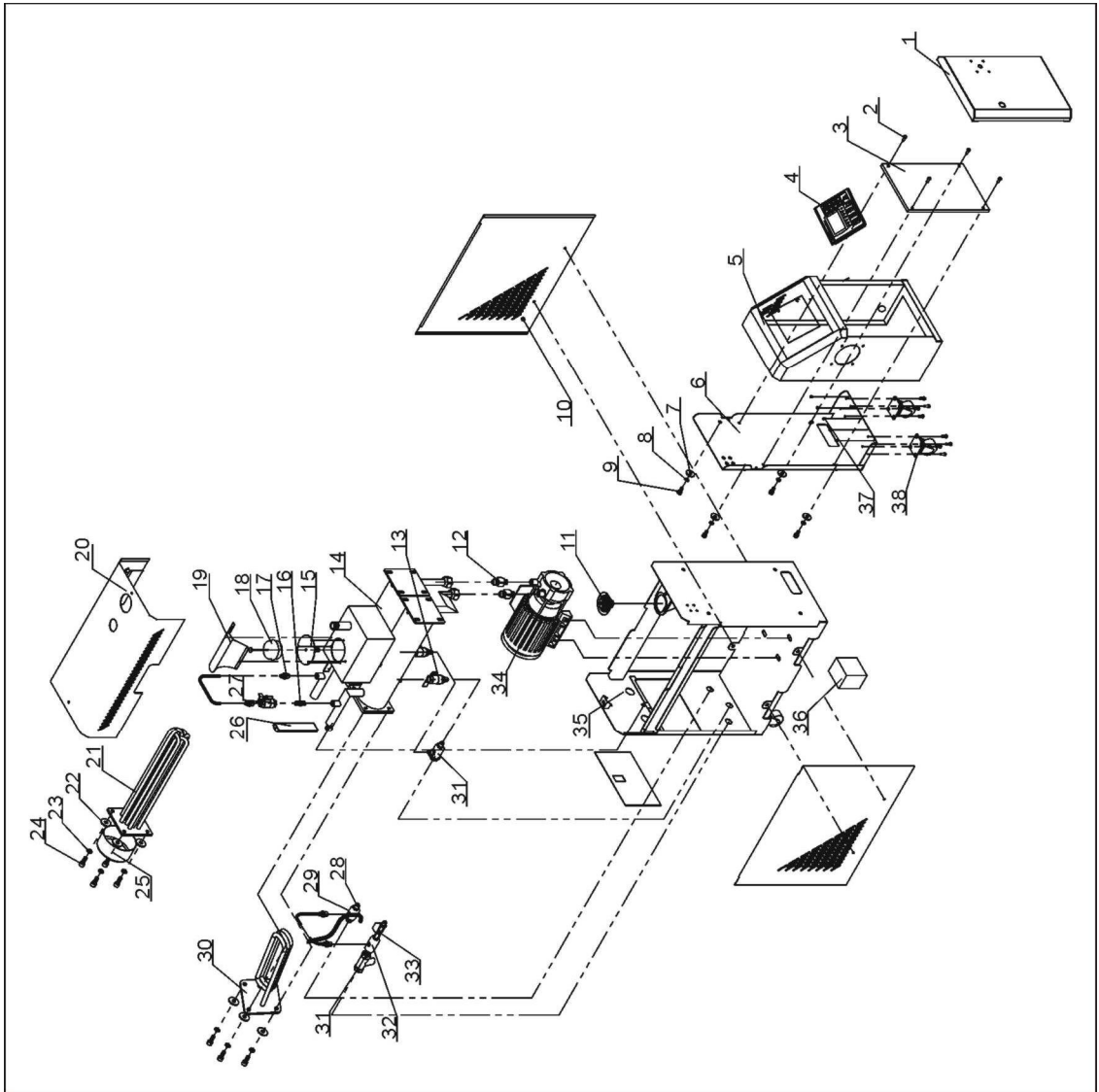


## 2.2 Assembly Drawing

### 2.2.1 Assembly Drawing (STM-607/910)



Remarks: Please refer to material list 2.2.2 for specific explanation of the Arabic numbers in parts drawing.

Picture 2-2: Assembly Drawing (STM-607/910)

## 2.2.2 Parts List (STM-607~STM-1220)

Table 2-1: Parts List (STM-607/STM-607-D)

No.	Name	Part No.	
		STM-607/607-D	STM-910/910-D
1	Door plank	-	-
2	Butterfly type screw M6×17	YW63061700000	YW63061700000
3	Base plate of electric components box	-	-
4	HANYOUNG controller	YE81100010000	YE81100010000
5	Fixing plate of electric components	-	-
6	Control box rear plate	-	-
7	Flat gasket 8	YW66082200100	YW66082200100
8	Elastic gasket 8	YW65008000200	YW65008000200
9	Inner hexagon cylindrical screw M8×20	YW61082000200	YW61082000200
10	Side plate	-	-
11	Pressure gauge 0~10kg	YW85001000100	YW85001000100
12	Copper trumpet joint 3/4"H×3/4"PT	BH12030400310	BH12030400310
13	Stainless steel ball valve 3/8"	YW50030800100	YW50030800100
14	Heating tank and auxiliary oil tank	-	-
15	Cover board of float ball*	-	-
16	Pipe coupler 1/4PT×1/4PT	BH12010400110	BH12010400110
17	Teflon pipe connector 1/4H×1/4PT	BH12010400410	BH12010400410
18	Float ball*	YW09703600000	YW09703600000
19	Alternative switch cover	-	-
20	Plate cover	-	-
21	Pipe heater*	BH70060700050	BH70091000050
22	Flat gasket 10	YW66102500000	YW66102500000
23	Elastic gasket 10	YW65010000000	YW65010000000
24	Inner hexagon cylindrical screw M10×25	YW61102500000	YW61102500000
25	Electric heat pipe cover	BL80091000120	BL80091000120
26	Level indicator*	-	-
27	Ball valve 1/4"	YY60001430000	YY60001430000
28	Teflon pipe connector 3/8H×3/8PT	BH12030800610	BH12030800610
29	Copper joint second	-	-
30	Cooling pipe	-	-
31	Y type strainer*	YW57010200000	YW57010200000
32	Copper connector	-	-
33	Solenoid valve**	YE32215400000	YE32215400000
34	Water pump*	BM20005500350	BM20007500050
35	Rack	-	-

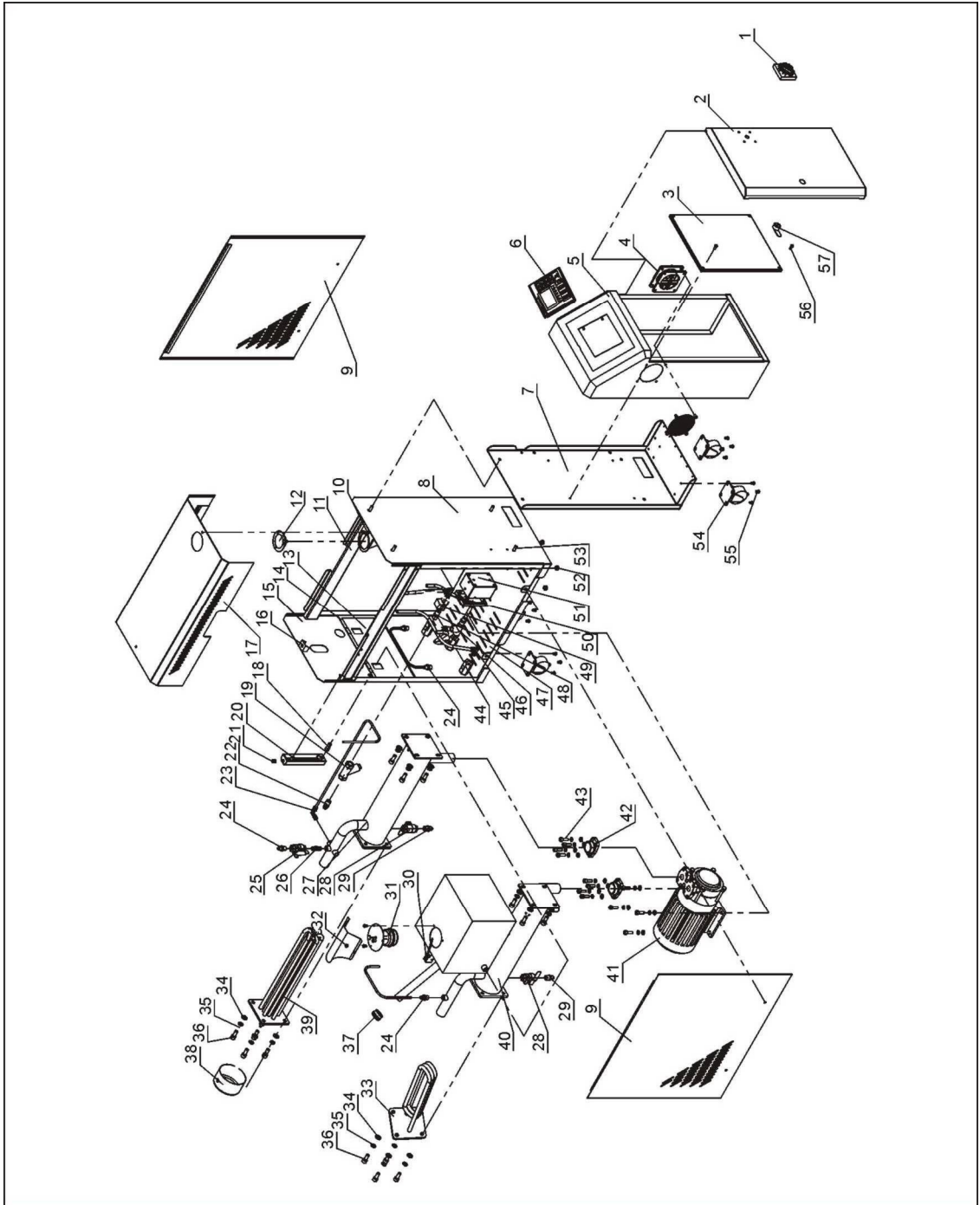
No.	Name	Part No.	
		STM-607/607-D	STM-910/910-D
36	EGO Protective box	YR40000400300	YR40000400300
37	Thick head screw M4×5	YW62040600000	YW62040600000
38	2" castor	YW03000200000	YW03000200000

\* means possible broken parts.

\*\* means easy broken part. and spare backup is suggested.

Please confirm the version of manual before placing the purchase order to guarantee that the item number of the spare part is in accordance with the real object.

### 2.2.3 Assembly Drawing (STM-1220)



Remarks: Please refer to material list 2.2.4 for specific explanation of the Arabic numbers in parts drawing.

Picture 2-3: Assembly Drawing (STM-1220)

## 2.2.4 Parts List (STM-1220)

Table 2-2: Parts List (STM-1220)

No.	Name	Part No.	No.	Name	Part No.
1	Main power switch	YE10010000000	24	Copper teflon pipe connector 1/4H×1/4PT	BH12010400410
2	Door plate	-	25	Copper ball core valve 1/4"	YY60001430000
3	Base plate of electric components box	-	26	Copper pipe coupler 1/4"	BH12010400110
4	Fan with fan guard	YM60922500100	27	Heating tank	-
5	Electric components box	-	28	Stainless steel ball valve 3/8"	YW50030800100
6	HANYOUNG controller	YE81100010000	29	Copper teflon pipe connector 3/8H×3/8PT	BH12030800610
7	Electric control box rear plate and caster mounting plate	-	30	Microswitch*	YE14152400000
8	Clapboard	-	31	Float ball*	-
9	Side plate	-	32	Switch cover plate	-
10	Pressure gauge fixing plate	-	33	Cooling pipe	-
11	Crossbeam	-	34	Flat gasket 10	YW66102500000
12	Pressure gauge	YW85001000100	35	Elastic gasket 10	YW65010000000
13	Rear plate mini cover	-	36	Inner hexagon cylindrical screw M10×25	YW61102500000
14	Fixing plate of rear plate mini cover	-	37	Oil cap	BH12030403040
15	Rear plate	-	38	Pipe heater cover	BL80091000120
16	Plate cover fixing plate	-	39	Pipe heater	BH70122000050
17	Plate cover	-	40	Coolling tank	-
18	External thread 1/4PT×1/4H	-	41	Pump TP-150	BM20015000050
19	Water filter 1/2	YW57010200000	42	Pump flange	-
20	Liquid level indicator	-	43	Inner hexagon cylindrical screw M10×30	YW61103000100
21	Set screws M12	YW68121000000	44	Copper tee joint 1/4"PT	BH12010400010
22	3/8"PT×ø13 Copper connector	BH12030801110	45	Copper teflon pipe connector 3/8H×1/4PT	YW04030800400
23	Copper teflon pipe connector 1/4H×1/4PT(L type)	YW04010400400	46	1/4" Stainless steel tee joint	YW52010400000

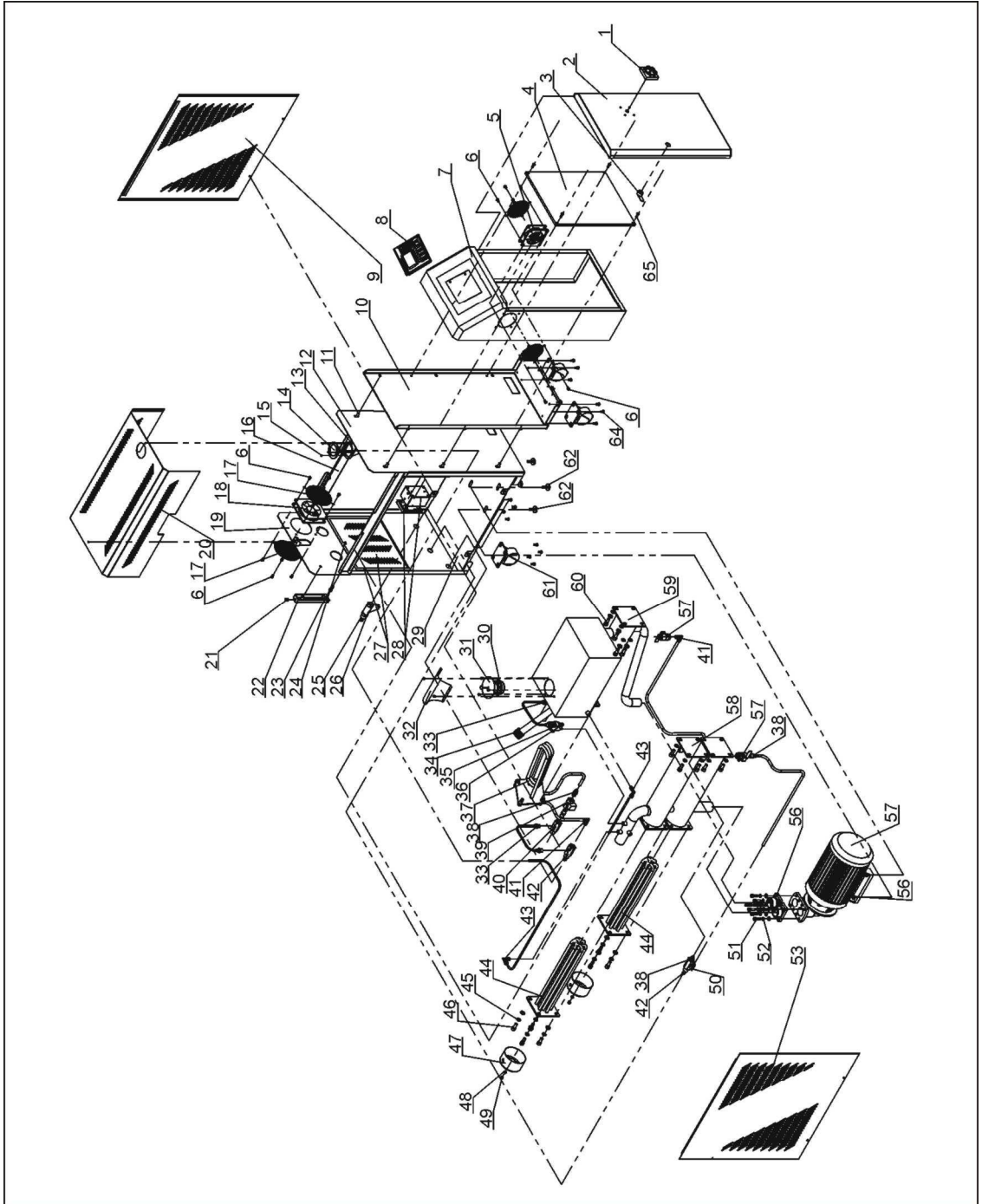
No.	Name	Part No.	No.	Name	Part No.
47	Base plate	-	53	Inner hexagon cylindrical screw M8×15	YW60081600100
48	Copper pipe coupler 3/8PT×1/4PT	BH12010400310	54	Caster 2.5"	YW03002500000
49	Solenoid valve 3/8"	YE32215400000	55	Lentil-headed screw M6×10	YW63061000000
50	Copper teflon pipe connector 3/8H×3/8PT(L type)	YW04030800300	56	Lentil-headed screw M6×15	YW63061500000
51	EGO protective box	YR40000400300	57	Long gear lock	YW00000000100
52	M8 Screw	YW64080600000			

\* means possible broken parts.

\*\* means easy broken part. and spare backup is suggested.

Please confirm the version of manual before placing the purchase order to guarantee that the item number of the spare part is in accordance with the real object.

### 2.2.5 Assembly Drawing (STM-2440)



Remarks: Please refer to material list 2.2.6 for specific explanation of the Arabic numbers in parts drawing.

Picture 2-4: Assembly Drawing (STM-2440)

## 2.2.6 Parts List (STM-2440)

Table 2-3: Parts List (STM-2440)

No.	Name	Part No.	No.	Name	Part No.
1	Main power switch*	YE10010000000	26	Water filter 1/2	YW57010200000
2	Door plate	-	27	Rear plate mini cover and mini cover fixing plate	-
3	Long gear lock	YW00000000100	28	EGO protective box	YR40000400300
4	Fixing plate of electric components	-	29	Base plate	-
5	Fan with fan guard	YM60922500100	30	Float ball	-
6	Thick head screw M6×10	YW63061000000	31	Float ball cover plate	-
7	Electric control box	-	32	Switch cover plate	-
8	HANYOUNG controller	YE81100010000	33	Copper teflon pipe connector 1/4H×1/4PT	BH12010400410
9	Side plate (right)	-	34	Oil cap	BH12030403040
10	Electric control box rear plate	-	35	Copper ball core valve 1/4"	YY60001430000
11	Inner hexagon cylindrical screw M8×16	YW60081600100	36	Copper pipe coupler 1/4"	BH12010400110
12	Clapboard	-	37	Cooling pipe	-
13	Pressure gauge fixing plate	-	38	Copper teflon pipe connector 3/8H×3/8PT	BH12030800610
14	Pressure gauge	YW85001000100	39	Solenoid valve 3/8"	YE32215400000
15	Thick head screw M3×5	YW63030600000	40	Copper tee joint 3/8"	BH12030800010
16	Crossbeam	-	41	Copper teflon pipe connector 3/8H×3/8PT(L type)	YW04030800300
17	Fan guard	YM60423000000	42	Copper connector 2	-
18	Fan guard	YM60423000000	43	Copper teflon pipe connector 1/4H×1/4PT(L type)	YW04010400400
19	Rear plate	-	44	Pipe heater*	BH70244000050
20	Cover plate	-	45	Elastic gasket 10	YW65010000000
21	Set screw M12	YW68121000000	46	Inner hexagon cylindrical screw M10×25	YW61102500000
22	Liquid level indicator*	-	47	Electric heating pipe shield	BL80091000120
23	External thread 1/4PT×1/4H	-	48	Flat gasket 6	YW66061300000
24	Butterfly screw M6×15	YW69061500000	49	Screw M6	YW64000600300
25	Core 3/8"×1/2PT	BH12131200010	50	Copper teflon pipe connector 3/8H×1/4PT(L type)	YW04030800200



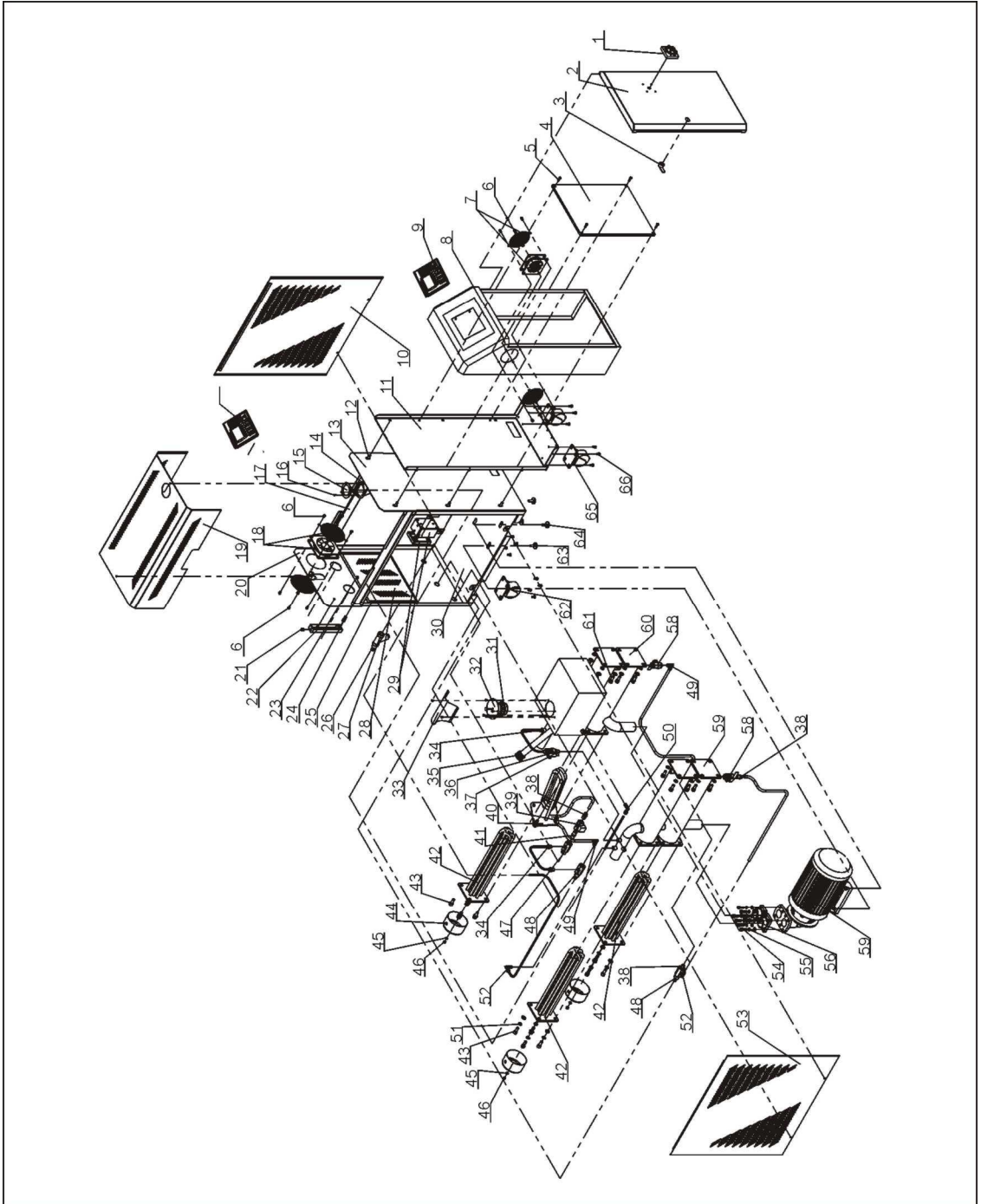
No.	Name	Part No.	No.	Name	Part No.
51	Inner hexagon cylindrical screw M8×25	YW61082500100	59	Cooling tank	-
52	Elastic gasket 8	YW65008000100	60	Inner hexagon cylindrical screw M10×20	YW61102000000
53	Side plate (left)	-	61	Brake rubber tire 3"	YW03000300000
54	Screw M8	YW64080600000	62	Hexagon head screw M8×30	YW60083000100
55	Pump (TP-280)*	YM20609100000	63	Flat gasket 8	YW66082200100
56	Pump flange	-	64	Hexagon head screw M6×10	YW60061000000
57	Ball valve 3/8"	YW50030800100	65	Lentil-headed screw M6×15	YW63061500000
58	Heating tank	-			

\* means possible broken parts.

\*\* means easy broken part. and spare backup is suggested.

Please confirm the version of manual before placing the purchase order to guarantee that the item number of the spare part is in accordance with the real object.

### 2.2.7 Assembly Drawing (STM-3650)



Remarks: Please refer to material list 2.2.8 for specific explanation of the Arabic numbers in parts drawing.

Picture 2-5: Assembly Drawing (STM-3650)

## 2.2.8 Parts List (STM-3650)

Table 2-4: Parts List (STM-3650)

No.	Name	Part No.	No.	Name	Part No.
1	Main power switch *	YE41109000000	27	Water filter 1/2	YW57010200000
2	Door plate	-	28	Rear plate mini cover and mini cover fixing plate	-
3	Long gear lock	YW00000000100	29	EGO protective box	YR40000400300
4	Base plate of electric components box	-	30	Base plate	-
5	M6×15 Lentil-headed screw	YW63061500000	31	Float ball	-
6	M6×10 Lentil-headed screw	YW63061000000	32	Float ball cover plate	-
7	Fan with fan guard	YM60922500100	33	Switch cover plate	-
8	Electric control box	-	34	Copper teflon pipe connector 1/4H×1/4PT	BH12010400410
9	HANYOUNG controller	YE81100010000	35	Oil cap	BH12030403040
10	Side plate (right)	-	36	Copper ball core valve 1/4"	YY60001430000
11	Electric control box rear plate	-	37	Copper pipe coupler 1/4"	BH12010400110
12	M8×16 Inner hexagon screw	YW61081600000	38	Copper teflon pipe connector 3/8H×3/8PT	BH12030800610
13	Clapboard	-	39	Solenoid valve 3/8"	YE32215400000
14	Pressure gauge fixing plate	-	40	Cooling pipe	-
15	Pressure gauge	YW85001000100	41	3/8" Pipe coupler	BH12030800110
16	Thick head screw M3×5	YW63030600000	42	Pipe heater unit	BH70365000050
17	Crossbeam	-	43	Inner hexagon cylindrical screw M10×25	YW61102500000
18	Fan with fan guard	YM60423000000	44	Electric heating pipe shield	BL80091000120
19	Cover plate	-	45	Flat gasket 6	YW66061300000
20	Rear plate	-	46	Screw M6	YW64000600300
21	Set screw M12	YW68121000000	47	Copper tee joint 3/8"	BH12030800010
22	Liquid level indicator *	-	48	Copper connector 2	-
23	M6×15 Butterfly screw	YW69061500000	49	Copper teflon pipe connector 3/8H×3/8PT(L type)	YW04030800300
24	External thread 1/4PT×1/4H	-	50	Copper teflon pipe connector 1/4H×1/4PT(L type)	YW04010400400
25	Rear plate mini cover and mini cover fixing plate	-	51	Elastic gasket 10	YW65010000000
26	Core 3/8"×1/2PT	BH12131200010	52	Copper teflon pipe connector 3/8H×1/4PT(L type)	YW04030800200

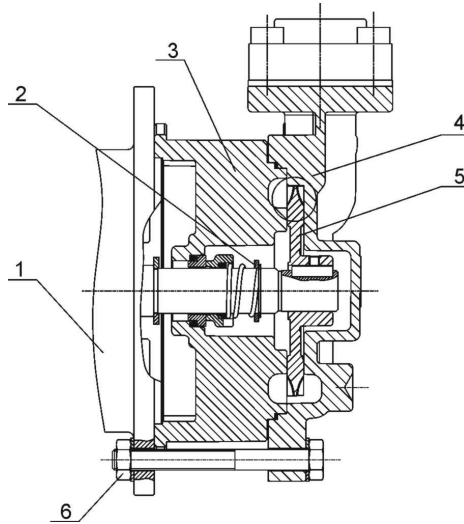
No.	Name	Part No.	No.	Name	Part No.
53	Side plate (left)	-	60	Cooling tank	-
54	Inner hexagon cylindrical screw M8×25	YW61082500100	61	Inner hexagon cylindrical screw M10×20	YW61102000000
55	Elastic gasket 8	YW65008000100	62	Brake rubber tire 3"	YW03000300000
56	Pump flange	-	63	Hexagon head screw M8×30	YW60083000100
57	Pump (TP-400)	YM20609100100	64	Flat gasket 8	YW66082200100
58	Ball valve 3/8"	YW50030800100	65	Movable rubber tire 3"	YW03000300200
59	Heating tank	-	66	Hexagon head screw M6×10	YW60061000000

\* means possible broken parts.

\*\* means easy broken part. and spare backup is suggested.

Please confirm the version of manual before placing the purchase order to guarantee that the item number of the spare part is in accordance with the real object.

## 2.2.9 Pump



Picture 2-6: Pump

Table 2-4: Pump Parts List

No.	Name	Part No.				
		STM-607/607D	STM-910/910D	STM-1220	STM-2440	STM-3650
1	Motor	YM10055000500	YM10075000100	YM10015000000	YM10028000000	YM10040000000
2	Mechanical shaft seal *	YR80901000000	YR80901200000	YR80901600000	YR80902240000	YR80902240000
3	Bearing block	BW33005500110	BW33007500110	BW33015000110	BW33028000210	BW33028000210
4	Pump body	BW33005500210	BW33007500210	BW33015000210	BW33028000110	BW33028000110
5	Impeller	BW33055000310	BW33075000310	BW33015000310	BW33028000310	BW33028000310
6	Hexagon nut	YW64001000100	YW64001000100	YW64001000100	YW64001000100	YW64001000100

\* means possible broken parts.

\*\* means easy broken part. and spare backup is suggested.

Please confirm the version of manual before placing the purchase order to guarantee that the item number of the spare part is in accordance with the real object.