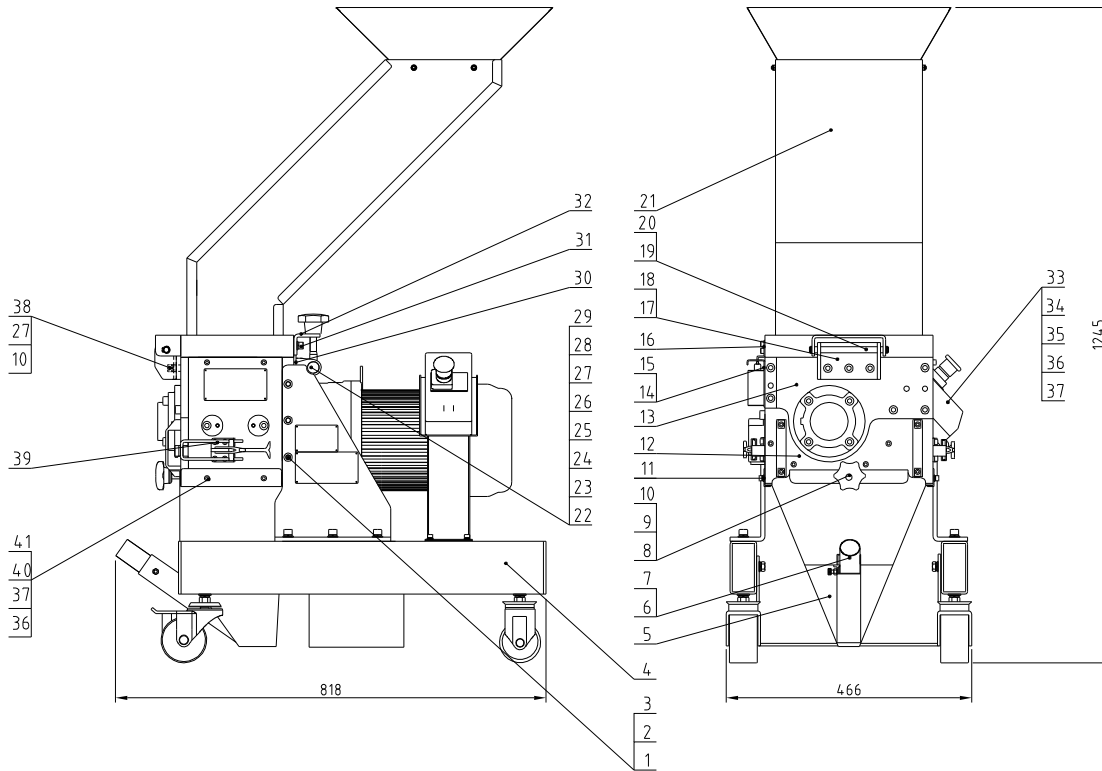


Standard model weight(kg)	Max Level (MM)	Max. Throughput Capacity (kg/hr)	Cutting Chamber Size	Number of Teeth Cutters	Number of Staggered Cutters	Material of Teeth Cutters	Rotating Speed(rpm)	Motor Power(kw)
150	85~90	25	200x180	3x6	2x1	Cr12MoV	150	2.2

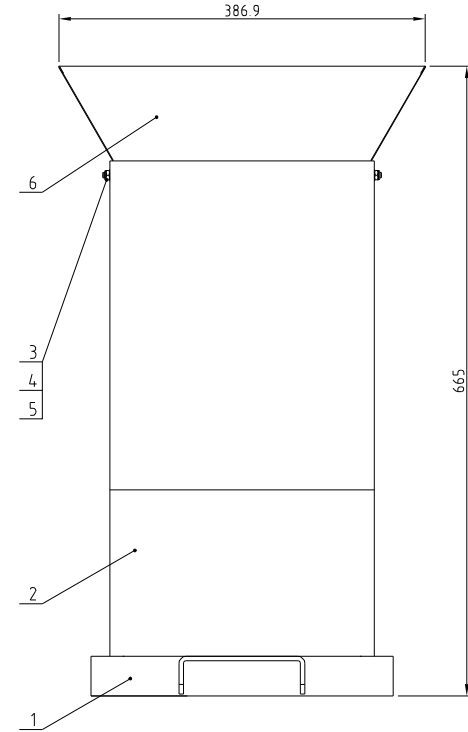
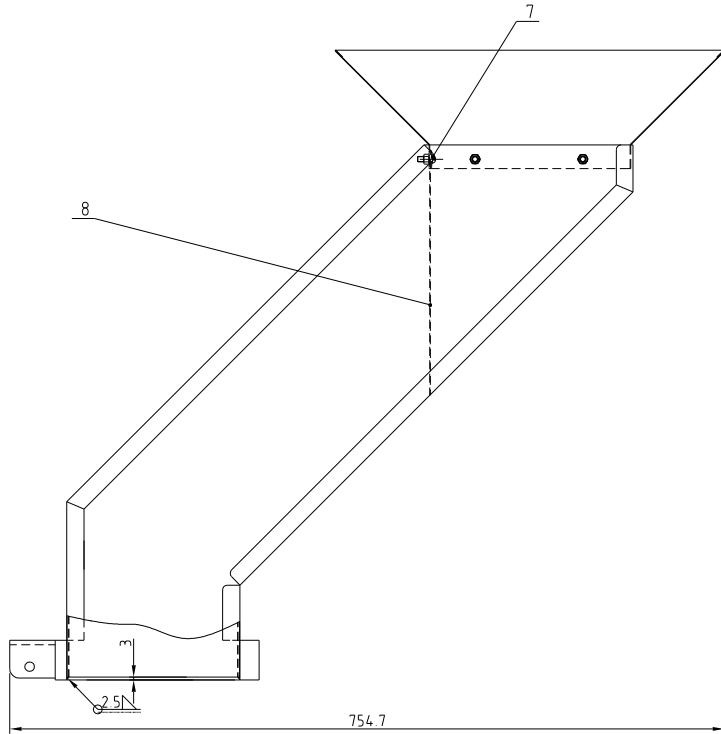
Ver.A



41	SG-M18-ALL-03	Storage box right fixed plate	SUS201	1	
40	YW61063000200	Iron hex. column head screw (M6x12) (Longitudinal)	12.9	4	
39	YW094.31100100	Quick clamp (S-31) Iron rod Length: 100mm	Assembly	2	
38	YW61083000000	Iron hex. column head screw (M8x12) (Longitudinal)	12.9	3	
37	YW660613000000	Flat washer A grade (S777.1) (Longitudinal)	140HV	8	
36	YW65006000100	Standard spring washer (S778) (Longitudinal)	65Mn	8	
35	YE4.04.063000000	Thermal magnetic circuit breaker (E2-2) (4.0A)	Assembly parts	1	
34	YW61061200000	Iron hex. column head screw (M6x12) (Longitudinal)	12.9	4	
33	SG-M-ALL-05	Switch fixed plate	Assembly welding	1	
32	SG-M-ALL-01	Locking block	SPH6.0	1	
31	YW61081600000	Iron hex. column head screw (M8x12) (Longitudinal)	12.9	2	
30	SG-M-ALL-02	Positioning block	SUS201	1	
29	YW66123200100	Large washer plate A grade (S777) (Longitudinal)		1	
28	YW690016000000	Metalic retaining ring for shaft (S777) (SUS201)	SUS201	1	
27	YW65008000100	Standard spring washer (S778) (Longitudinal)	65Mn	7	
26	YW61082501200	Iron hex. column head screw (M8x12) (Longitudinal)	12.9	2	
25	YW091602000000	Large star nut (M8x16-4000000) (SUS304)	AL	1	
24	YW093014.000000	Shaft pin (S777) (SUS304) (SUS201) (SUS304)	Q235A	1	borrow
23	YW09003010500	Star screw (S777) (SUS304) (SUS201) (SUS304)	Q235A	1	borrow
22	BL54.300003920	Hinge seat SG-30-C-01	SPH	1	borrow
21	SG-M18-A-ALL	Feed box assembly	Assembly parts	1	
20	YW690012000000	Metalic retaining ring for shaft (S777) (SUS201)	SUS201	2	
19	BH1024.04.00110	Feed box rotating shaft (S777) (SUS201)	SUS201	1	borrow
18	SG-M-ALL-04	Hinge gasket	SPH8.0	1	
17	SG-M-ALL-03	Feed box hinge	SPH5.0	1	
16	SG-M-ALL-08	Safety switch insert sheet	SUS201	1	
15	YW6104.35000000	Iron hex. column head screw (M6x12) (Longitudinal)	12.9	2	
14	SG-L-ALL-01	Safety switch fixed plate	SUS201	1	borrow
13	SG-M18-B-ALL	Cutting chamber assembly	Assembly	1	
12	SG-M18-C-ALL	Screen bracket assembly	Assembly	1	
11	SG-M18-ALL-02	Storage box left fixed plate	SUS201	1	
10	YW660816000000	Flat washer A grade (S777.1) (Longitudinal)	140HV	4	
9	YW600820100000	Hex. nut M8 (anti-loose) (SUS201)		1	
8	YR4.00835000000	Star handle B M8*35	Assembly	1	
7	YW696216000000	Manual screw M6*20*16		1	
6	SG-24-ALL-01	Suction pipe	SUS201 (L.0)	1	borrow
5	SG-M18-ALL-01	Storage box	Assembly welding	1	
4	SG-M18-D-ALL	Rack Assembly	Assembly welding	1	
3	YW66102000100	Flat washer A grade (S777.1) (Longitudinal)	140HV	6	
2	YW650100000000	Standard spring washer (S778) (Longitudinal)	65Mn	6	
1	YW61103000100	Iron hex. column head screw (M10x12) (Longitudinal)	12.9	6	

				制图	版号	0	标题	SG-M18	图号			比例	1:9	数量	1
				设计	核准		Assembly	SG-M18-ALL				材质		Assembly parts	
				校对	日期	20230826	SHINI	信易电热机械股份有限公司 Shini Plastics Technologies, Inc.		表面要求		RAL 7016 & 9010			
标记	更改前	更改后	更改人	日期	审核	日期				物料号					

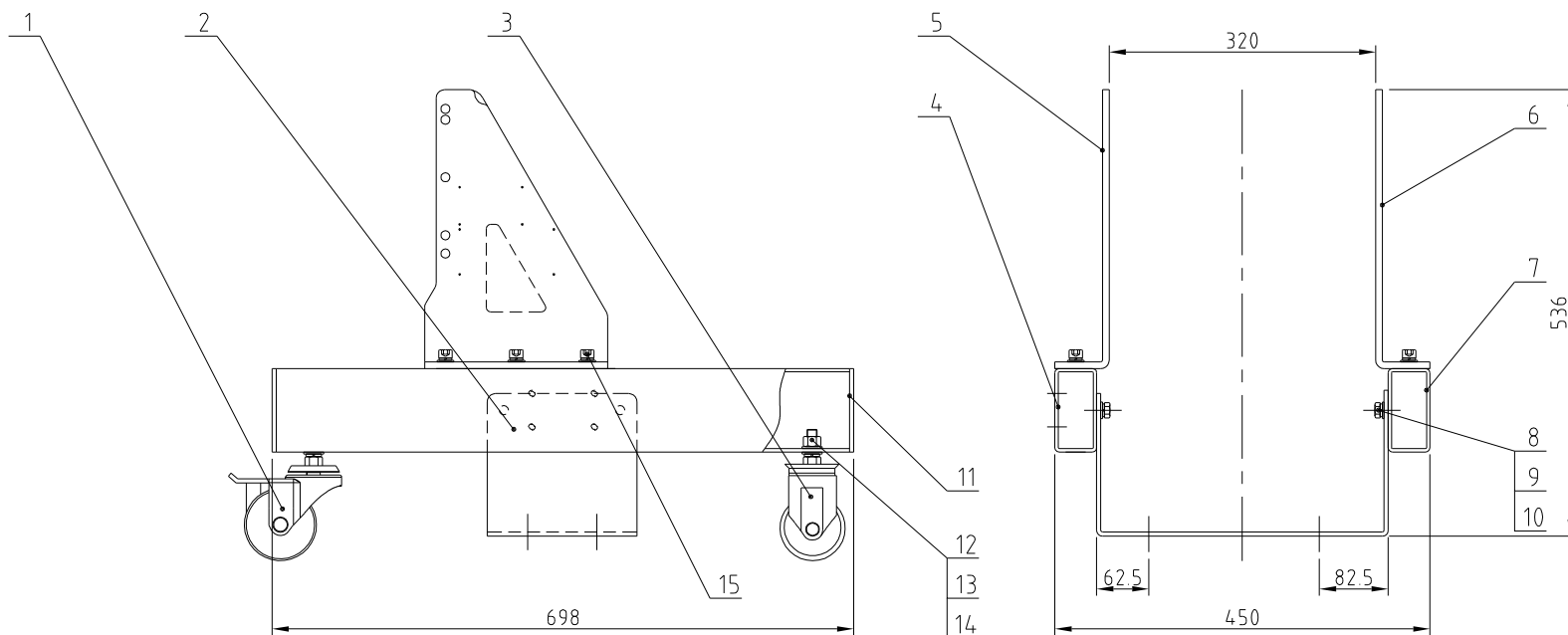




8	SG-M18-A-06	Fender	white unpainted cloth	1	
7	SG-M29-A-05	Fender pressing plate	SPCC2.0	1	borrow
6	SG-M18-A-04	Feed port	SPCC 1.5	1	
5	YW640005000000	Hex nut M5 anti-loose	4	6	
4	YW66051000000	Flat washer A grade Q235/1.5	Longzine	6	
3	YW620510000100	Lug nut round flat head screw K5111 16H	Longzine	6	
2	SG-M18-A-02	Feed box	Assembly welding	1	
1	BH10001800710	Feed box lower frame SG-M18-A-01	Assembly welding	1	
序号	代号	名称	材质	数量	备注

					制图		版号	0	标题	SG-M18	图号	SG-M18-A-ALL	比例	1:5	数量	1
					设计		核准		Feed box assembly							
					校对											
					审核											
标记	更改前	更改后	更改人	日期	审核		日期	20230901	信易电热机械股份有限公司 Shini Plastics Technologies, Inc.		表面要求	RAL9010	物料号	/		





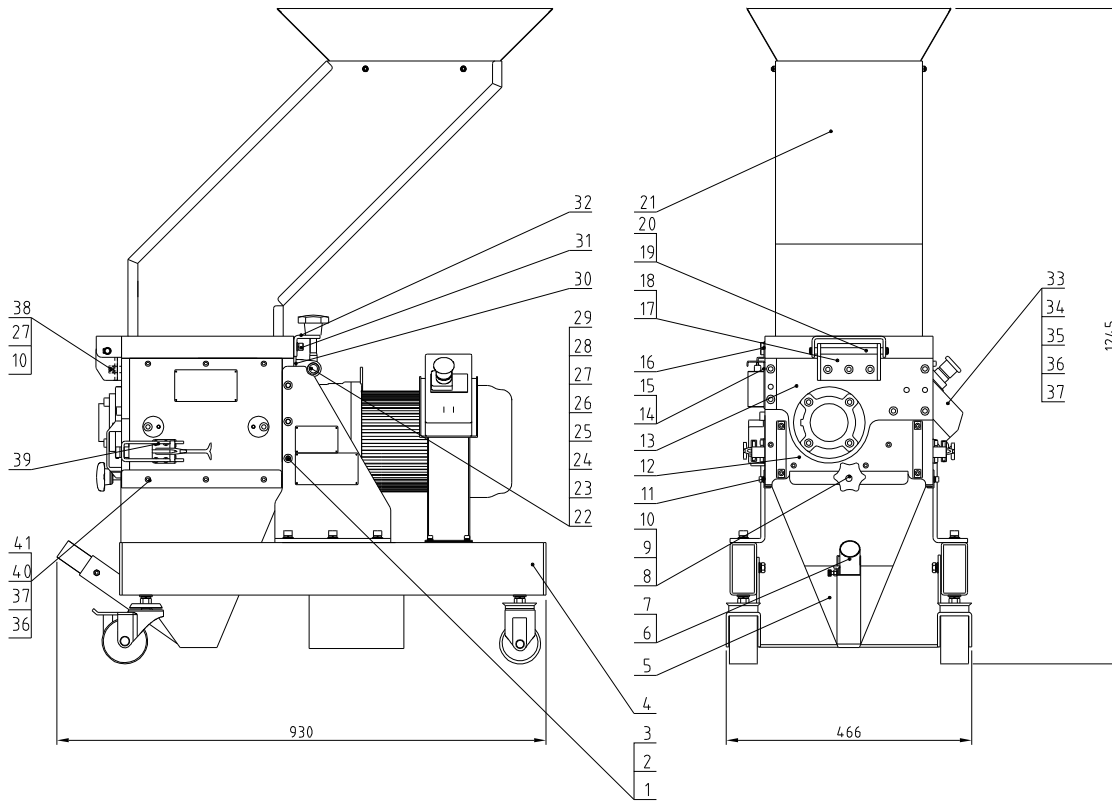
10	YW65010000000	Standard spring washer GB/T93 10-Longzine	65Mn	10	
9	YW66102000100	Flat washer A grade GB/T97.1 10(11.2/2)-Longzine	140HV	10	
8	YW60102500000	Hex. bolt GB/T5783 M10x25-12.9-Longzine	12.9	4	
7	SG-M18-D-02	Right support pipe	Q235A	1	
6	SG-M-D-02	Cutting chamber right fixed plate	SPH8.0	1	
5	SG-M-D-01	Cutting chamber left fixed plate	SPH8.0	1	
4	SG-M18-D-01	Left support pipe	Q235A	1	
3	YW03000400300	Screw black castor 4" assemble screw rod 10240 bearing 1306	Assembly	2	
2	SG-M-D-03	Blower fixed blade	SPH5.0	1	
1	YW03000400100	Screw rod 10 black castor 4" 1 hole screw rod 10240 bearing 1306	Assembly	2	

15	YW61102000000	Inner hex. column head screw GB/T91.1 M12x22.9-Longzine	12.9	6	
14	YW64012100000	Hex nut GB/T6170 M12-Longzine	4	4	
13	YW65012000000	Standard spring washer GB/T93 12-Longzine	65Mn	4	
12	YW66122400000	Flat washer A grade GB/T97.1 12(13.5/2)-Longzine	140HV	8	
11	YR90100509100	Square mild iron pipe 40# applicable pipe wall thickness: 1.5mm	plastics	4	

				制图		版号		0		标题		SG-M18		图号		比例		1:8		数量		1	
				设计		核				Rack Assembly		SG-M18-D-ALL				表面要求		RAL7016		物料号		/	
				校对		准				SHINI		信易電熱機械股份有限公司		Shini Plastics Technologies, Inc.									
标记		更改前		更改后		更改人		日期		20230826													

Standard model weight(kg)	Noise Level(dBA)	Max. Throughput Capacity (kg/hr)	Cutting Chamber Inlet	Number of Teeth Cutters	Number of Staggered Cutters	Material of Teeth Cutters	Rotating Speed(r/min)	Motor Power(kW)
200	85~90	4.0	200~290	3~10	2~1	Cr12MoV	150	2.2

Ver. A

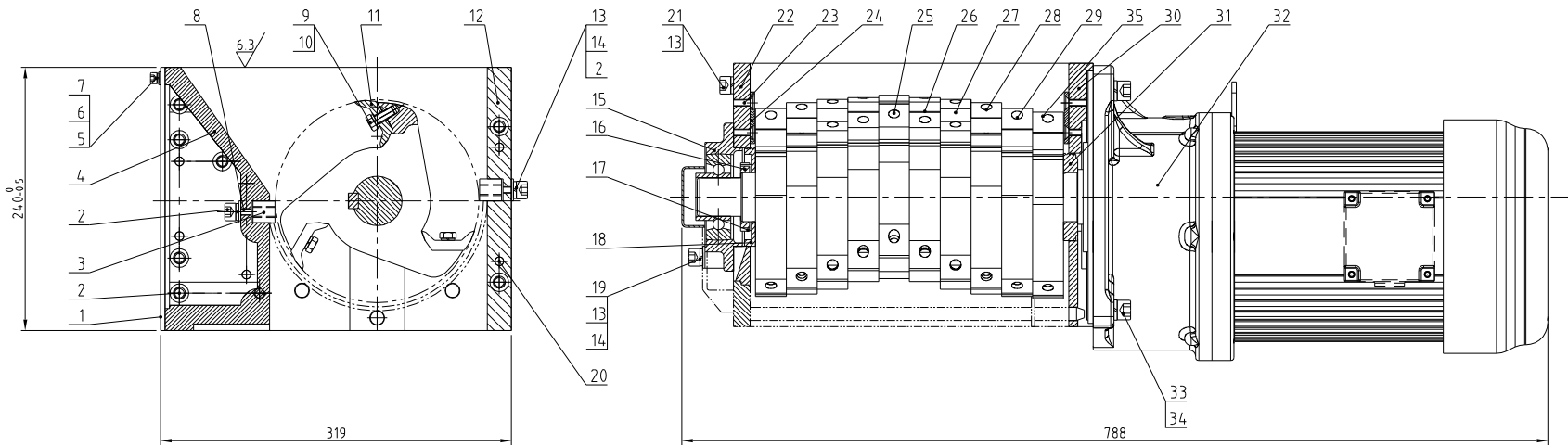


41	SG-M29-ALL-03	Storage box right fixed plate	SUS201	1	
40	YW61063000200	Iron br. alum. bal. screw (M10) 1.6x20x2.5xLongine	12.9	6	
39	YW094.31100100	Quick clamp (SG-31) iron rod Length: 100mm	Assembly	2	
38	YW610830000000	Iron br. alum. bal. screw (M10) 1.6x30x2.5xLongine	12.9	3	
37	YW660613000000	Flat washer 1 grade (S777.1) 6xLongine	140HV	10	
36	YW650060000100	Standard spring washer (S778) 6xLongine	65Mn	10	
35	YE4.04.063000000	Thermal magnetic circuit breaker (SG-22(4.0))	Assembly parts	1	
34	YW610612000000	Iron br. alum. bal. screw (M10) 1.6x20x2.5xLongine	12.9	4	
33	SG-M-ALL-05	Switch fixed plate	Assembly welding	1	
32	SG-M-ALL-01	Locking block	SPH6. 0	1	
31	YW610816000000	Iron br. alum. bal. screw (M10) 1.6x30x2.5xLongine	12.9	2	
30	SG-M-ALL-02	Positioning block	SUS201	1	
29	YW661232000100	Long washer plate 1 grade (S777.1) 10x30x3xLongine		1	
28	YW690016000000	Plastic retaining ring for shaft (SG-10) 10x6x2mm	SUS201	1	
27	YW650080000100	Standard spring washer (S778) 8xLongine	65Mn	7	
26	YW610825012000	Iron br. alum. bal. screw (M10) 1.6x25x2.5xLongine	12.9	2	
25	YW091602000000	Long star set (SG-10) 16x6mm-4mm-4x5x alloy	AL	1	
24	YW093014.000000	Shaft pin (SG-30) 6mm (pin-plate) 4mm (pin. 0)	Q235A	1	borrow
23	YW090030105000	Star screw (SG-30) 6mm (pin-plate) 4mm	Q235A	1	borrow
22	BL54.300003920	Hinge seat SG-30-C-01	SPH	1	borrow
21	SG-M29-A-ALL	Feed box assembly	Assembly parts	1	
20	YW690012000000	Plastic retaining ring for shaft (SG-10) 10x6x2mm	SUS201	2	
19	BH1024.04.00110	Feed box rotating shaft (SG-1-ALL-04)	SUS201	1	borrow
18	SG-M-ALL-04	Hinge gasket	SPH8. 0	1	
17	SG-M-ALL-03	Feed box hinge	SPH5. 0	1	
16	SG-M-ALL-08	Safety switch insert sheet	SUS201	1	
15	YW6104.35000000	Iron br. alum. bal. screw (M10) 1.6x30x2.5xLongine	12.9	2	
14	SG-L-ALL-01	Safety switch fixed plate	SUS201	1	borrow
13	SG-M29-B-ALL	Cutting chamber assembly	Assembly	1	
12	SG-M29-C-ALL	Screen bracket assembly	Assembly	1	
11	SG-M29-ALL-02	Storage box left fixed plate	SUS201	1	
10	YW660816000000	Flat washer 1 grade (S777.1) 6x16x2.5xLongine	140HV	4	
9	YW600820100000	Hex. nut: M8 (anti-loose) (SUS201)		1	
8	YR4.00835000000	Star handle B M8*35	Assembly	1	
7	YW696216000000	Manual screw M6*20*16		1	
6	SG-24-ALL-01	Suction pipe	SUS201 (L. 0)	1	borrow
5	SG-M29-ALL-01	Storage box	Assembly welding	1	
4	SG-M29-D-ALL	Rack Assembly	Assembly welding	1	
3	YW661020000100	Flat washer 1 grade (S777.1) 10x20x2.5xLongine	140HV	6	
2	YW650100000000	Standard spring washer (S778) 10xLongine	65Mn	6	
1	YW61103000100	Iron br. alum. bal. screw (M10) 1.6x30x2.5xLongine	12.9	6	

序号 代号 名称 材质 数量 备注

制图	设计	校对	制图	设计	校对	版号	0	标题	SG-M29	图号	SG-M29-ALL	比例	1:9	数量	1
						核准		Assembly							
标记	更改前	更改后	更改人	日期	审核	日期	20230913	<b>SHINI</b>	信易电热机械股份有限公司	Shini Plastics Technologies, Inc.	表面要求	RAL 9016 & 9010	物料号	/	

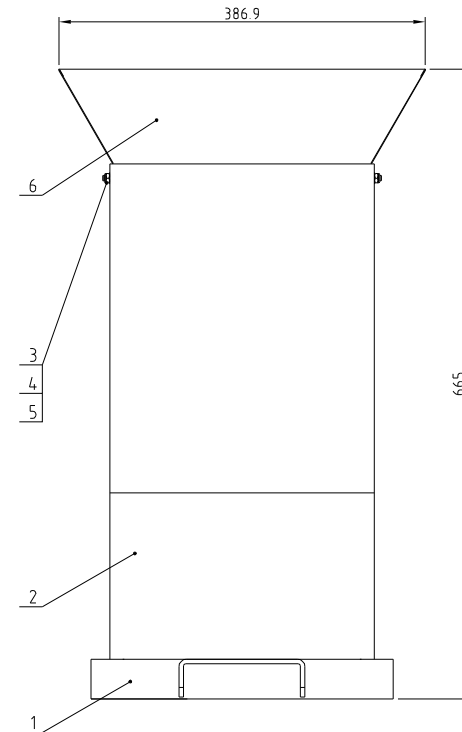
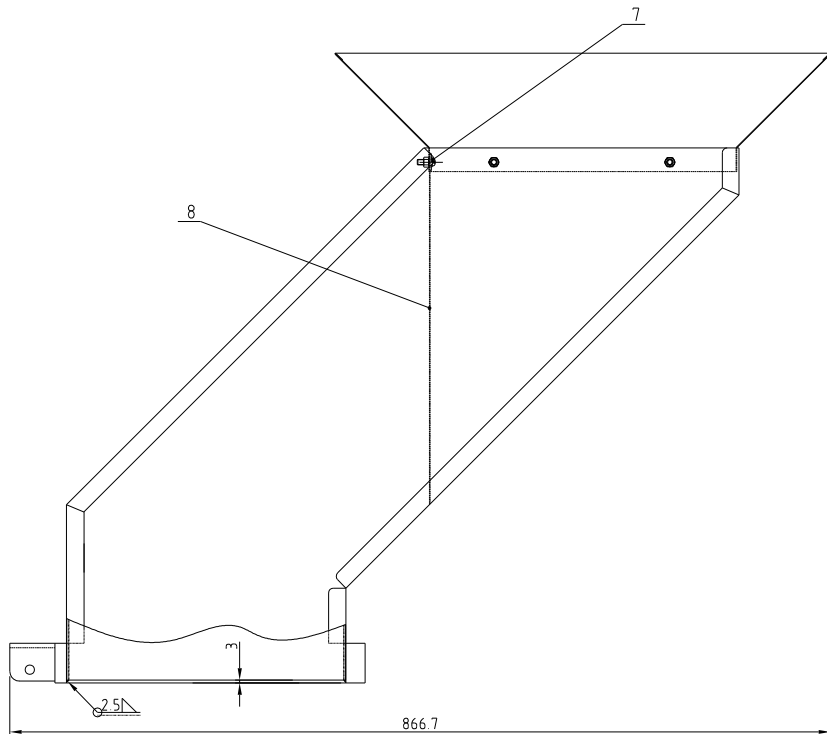
其余 



20	YW69083500000	Standard spring pin Q2/T 89.1 6x35	65Mn	9	
19	YW61104500000	Inner hex. column head screw M10x45	12.9	4	
18	BH10000200410	Left shaft sleeve SG-M29-B-02(ver.0)	45	1	
17	YW09004500000	Stop washer for round nut 45(Ø15)Ø17 453	Q215	1	
16	YW64451500000	Steel round nut G3/T810 M45x1.5	45	1	
15	YW09207100100	Hex shaped ball body with inner circle nut SG-M29-B-01	Assembly	1	
14	YW66102000100	Flat washer 4 grade Q2/T81.1 14-Longpin	14.0HV	8	
13	YW65010000000	Standard spring washer Q2/T8 10-Longpin	65Mn	13	
12	BH10290400010	Rear case block SG-M29-B-04(ver.0)	Q235A	1	
11	YW41011200100	Rotating blade SG-M29-B-01(Ø120x7)(ver.0)	Cr12MoV	30	
10	YW65008000100	Standard spring washer Q2/T8 8-Longpin	65Mn	30	
9	YW60082000500	Hex. bolt G3/T5783 M8x20	12.9	30	
8	YW68061000000	Inner hex. flat end locking screw Ø10 M14-Longpin	12.9	4	
7	YW66061300000	Flat washer 4 grade Q2/T8 1-Longpin	14.0HV	3	
6	YW65006000100	Standard spring washer Q2/T8 6-Longpin	65Mn	3	
5	YW61061601200	Inner hex. column head screw M6x16	12.9	3	
4	BH10290300010	Front case block SG-M29-B-03(ver.0)	QT500-7	1	
3	YW41290200100	Pivoting blade SG-M29-B-02(Ø120x7)(ver.0)	Cr12MoV	2	
2	YW61103000100	Inner hex. column head screw M10x30	12.9	12	
1	SG-M29-B-01	Front box block cover plate	SPH4.0	1	

35	YW41002900600	Blade rest 6 SG-M29-B-15 (Q235A)	Q235A	1	
34	YW65012000000	Standard spring washer Q2/T8 12-Longpin	65Mn	4	
33	YW61124500000	Inner hex. column head screw M12x45	12.9	4	
32	YM50572200200	Gear motor 2.2kW	Assembly	1	
31	BH10000401210	Right shaft sleeve SG-M29-B-04(ver.0)	45	1	
30	BH11291100010	Right end plate SG-M29-B-11(ver.0)	Q235A	1	
29	YW41002900500	Blade rest 5 SG-M29-B-10 (Q235A)	Q235A	2	
28	YW41002900400	Blade rest 4 SG-M29-B-09 (Q235A)	Q235A	2	
27	YW41002900300	Blade rest 3 SG-M29-B-08 (Q235A)	Q235A	2	
26	YW41002900200	Blade rest 2 SG-M29-B-07 (Q235A)	Q235A	2	
25	YW41002900100	Blade rest 1 SG-M29-B-06 (Q235A)	Q235A	1	
24	YW41031200100	Side blade SG-M29-B-03(Ø120x7)(ver.0)	Cr12MoV	2	
23	YW61061200100	Inner hex. column head screw Ø10 M14-Longpin	12.9	4	
22	BH10290500010	Left end plate SG-M29-B-05(ver.0)	Q235A	1	
21	YW61103500000	Inner hex. column head screw M10x35	12.9	5	

标记	更改前	更改后	更改人	日期	制图	版号	0	标题	SG-M29	图号	SG-M29-B-ALL	比例	1:4	数量	1	备注
					设计	核准		Cutting chamber assembly					材质	Assembly		
					校对				信易电热机械股份有限公司	Shini Plastics Technologies, Inc.	表面要求	RAL7016				
					审核		日期				20230901	物料号	/			

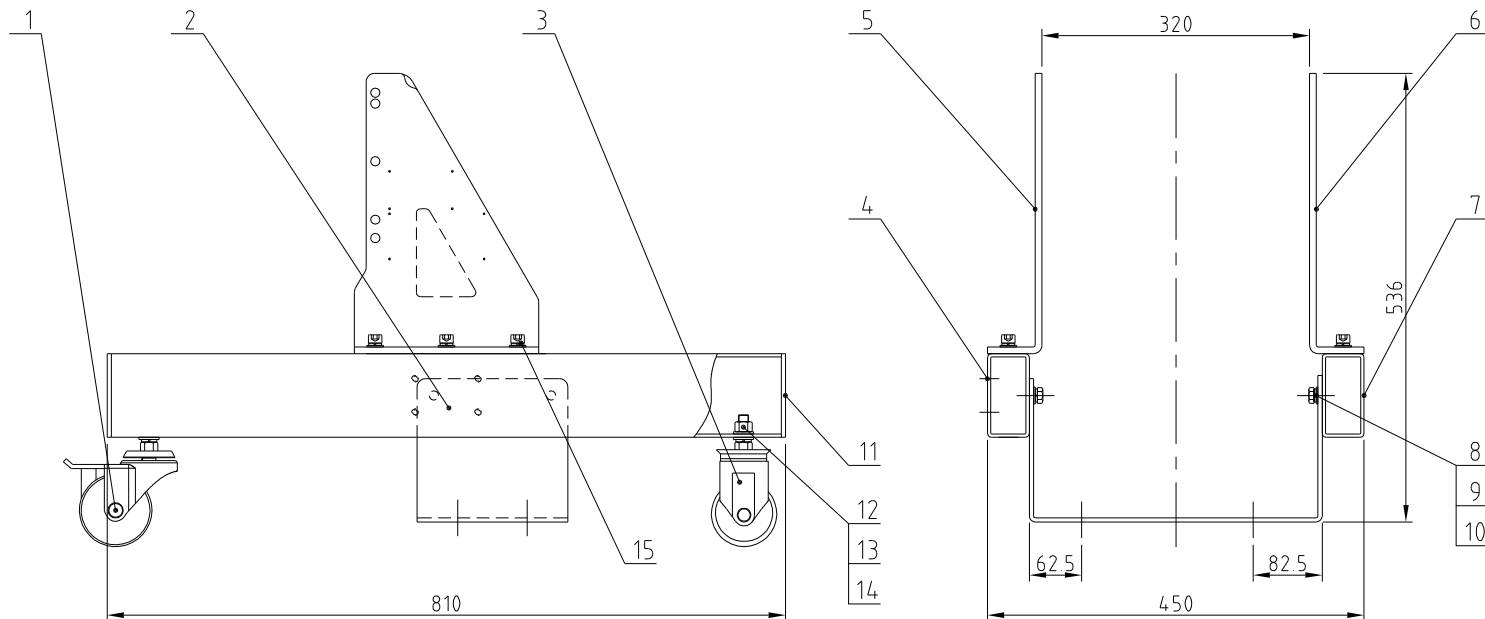


8	SG-M29-A-06	Fender	white water proof	1	
7	SG-M29-A-05	Fender pressing plate	SECC2.0	1	
6	SG-M29-A-04	Fender port	SPCC 1.5	1	
5	YW64000500000	Hex nut M5 (anti-loose)	4	6	
4	YW66051000000	Flat washer A grade GR/TSY.1.5	Longzine	6	
3	YW62051000100	Lap core round flat head screw (S11) M5	Longzine	6	
2	SG-M29-A-02	Feed box	Assembly welding	1	
1	BH10002900710	Feed box lower frame SG-M29-A-01	Assembly welding	1	
序号	代号	名称	材质	数量	备注

					制图		版号	0	标题	SG-M29	图号	SG-M29-A-ALL	比例	1:5	数量	1
					设计		核准		Feed box assembly						材质	Assembly parts
					校对				 <b>信易電熱機械股份有限公司</b> <b>Shini Plastics Technologies, Inc.</b>		表面要求		RAL9010			
标记	更改前	更改后	更改人	日期	审核	日期	20230901	物料号			/					





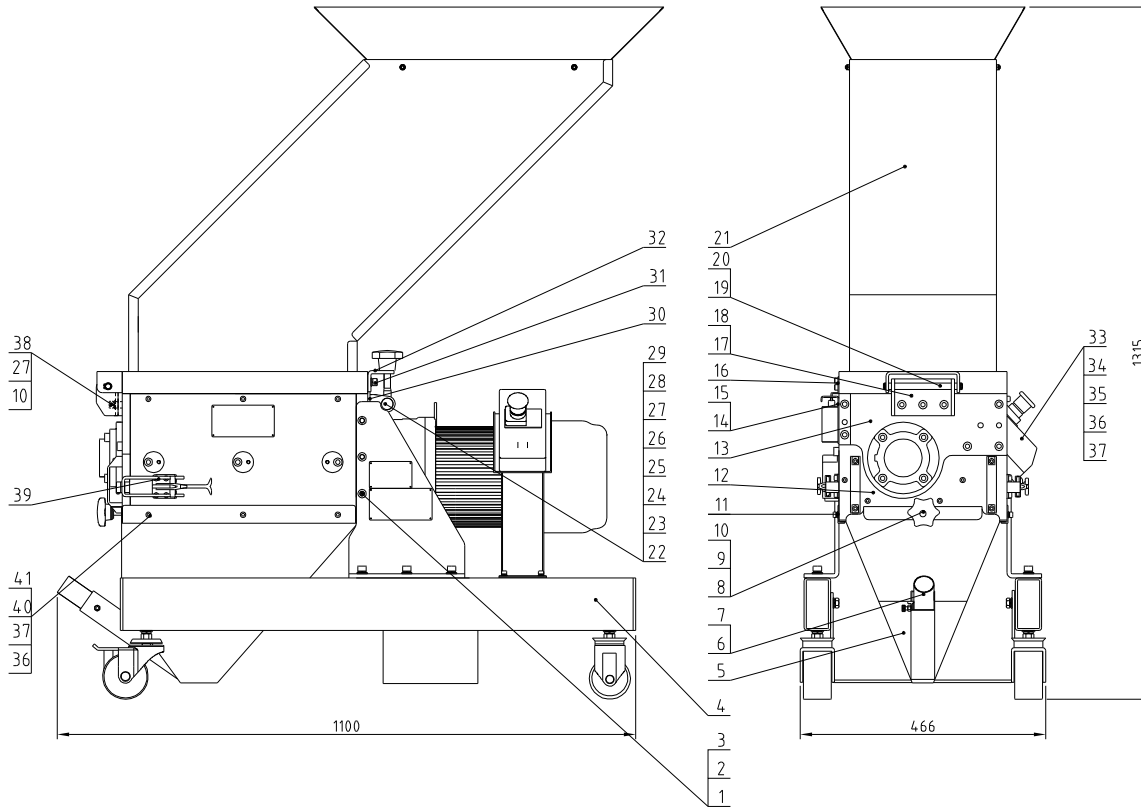


10	YW6501000000	Standard spring washer GB/T93 10-Longzine	65Mn	10	
9	YW66102000100	Flat washer A grade GB/T97.1 10(11x20x2)-Longzine	140HV	10	
8	YW60102500000	Hex. bolt GB/T5783 M10x25-12.9-Longzine	12.9	4	
7	SG-M29-D-02	Right support pipe	Q235A	1	
6	SG-M-D-02	Cutting chamber right fixed plate	SPH8.0	1	
5	SG-M-D-01	Cutting chamber left fixed plate	SPH8.0	1	
4	SG-M29-D-01	Left support pipe	Q235A	1	
3	YW03000400300	Screw block castor 4" assemble screw rod 10x40 bearing 1206	Assembly	2	
2	SG-M-D-03	Blower fixed blade	SPH5.0	1	
1	YW03000400100	Screw rod 10 block castor 4" assemble screw rod 10x40 bearing 1206	Assembly	2	

15	YW61102000000	Inner hex. column head screw GB/T70.1 M10x25-12.9-Longzine	12.9	6	
14	YW64012100000	Hex. nut GB/T6170 M12-Longzine	4	4	
13	YW65012000000	Standard spring washer GB/T93 12-Longzine	65Mn	4	
12	YW66122400000	Flat washer A grade GB/T97.1 12(13.5x24x2.5)-Longzine	140HV	8	
11	YR90100509100	Square mill core pipe 10x40 applicable pipe mill thickness: 1.5mm	plastics	4	

标记	更改前	更改后	更改人	日期	制图	版号	0	标题	SG-M29 Rack Assembly	图号	SG-M29-D-ALL	比例	1:8	数量	1	备注
					设计	核准							材质	Assembly		
					校对							表面要求			RAL7016	
					审核							物料号			/	
						日期	20230901			信易電熱機械股份有限公司 Shini Plastics Technologies, Inc.						

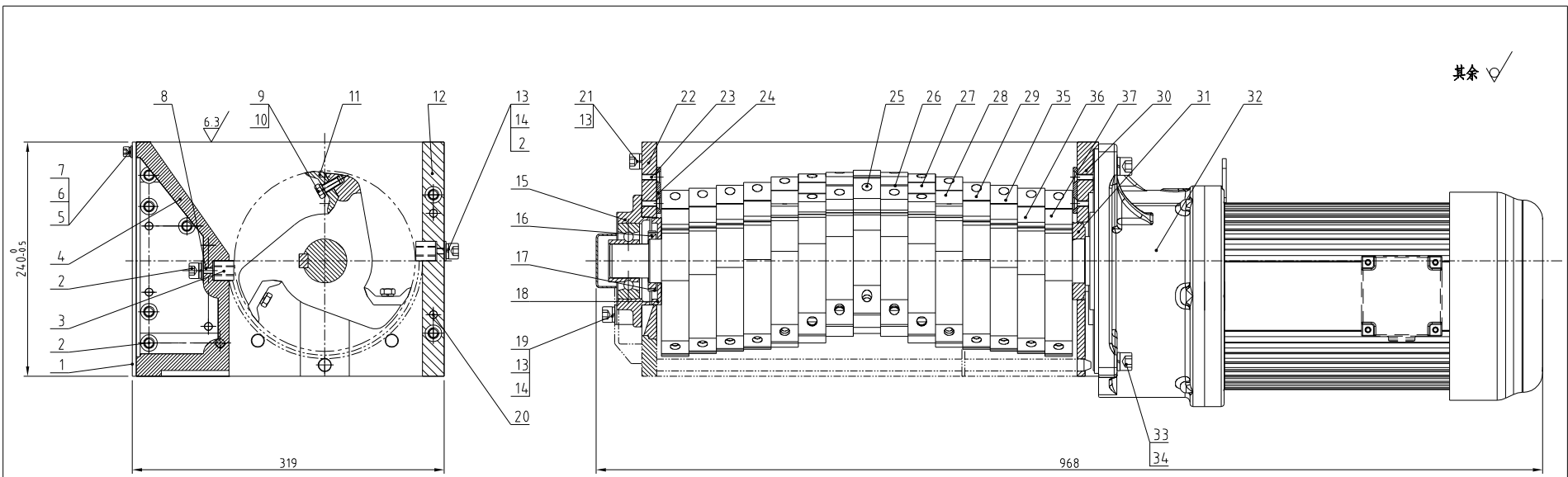
标准重量(kg)	旋转噪音dB(A)	最大旋转力(kg/hr)	旋转尺寸(mm)	旋转刀片数量	固定刀片数量	刀头转速	主轴承(r.p.m)	电机功率(KW)	机型版本号: Ver. A
230	85~90	60	200x430	3x15	2x1	Cr12MoV	150	3.7	



41	SG-M43-ALL-03	Storage box right fixed plate	SUS201	1	
40	YW61063000200	Inter. adm. bal. screw (16x1.5x20)	12.9	6	
39	YW09431100100	Quick clamp SG-31 (mm rod length: 10mm)	Assembly	2	
38	YW61083000000	Inter. adm. bal. screw (16x1.5x20)	12.9	3	
37	YW66061300000	Flat washer 1 grade (16x1.5)	140HV	10	
36	YW65006000100	Standard spring washer (16x1.5)	65Mn	10	
35	YE40406300000	Internal magnetic circuit breaker (16A)	Assembly parts	1	
34	YW61061200000	Inter. adm. bal. screw (16x1.5x20)	12.9	4	
33	SG-M-ALL-05	Switch fixed plate	Assembly welding	1	
32	SG-M-ALL-01	Locking block	SPH6.0	1	
31	YW61081600000	Inter. adm. bal. screw (16x1.5x20)	12.9	2	
30	SG-M-ALL-02	Positioning block	SUS201	1	
29	YW66123200100	Long washer plate 1 grade (16x1.5)		1	
28	YW69001600000	Metric retaining ring for shaft (16x1.5)	SUS201	1	
27	YW65008000100	Standard spring washer (16x1.5)	65Mn	7	
26	YW61082501200	Inter. adm. bal. screw (16x1.5x20)	12.9	2	
25	YW09160200000	Long star nut (M16x1.5)	AL	1	
24	YW09301400000	Shaft pin (16x1.5)	Q235A	1	borrow
23	YW09003010500	Star screw (16x1.5)	Q235A	1	borrow
22	BL54300003920	Hinge seat SG-30-C-01	SPH	1	borrow
21	SG-M43-A-ALL	Feed box assembly	Assembly parts	1	
20	YW69001200000	Metric retaining ring for shaft (16x1.5)	SUS201	2	
19	BH10240400110	Feed box rotating shaft (16x1.5)	SUS201	1	borrow
18	SG-M-ALL-04	Hinge gasket	SPH8.0	1	
17	SG-M-ALL-03	Feed box hinge	SPH5.0	1	
16	SG-M-ALL-08	Safety switch insert sheet	SUS201	1	
15	YW61043500000	Inter. adm. bal. screw (16x1.5x20)	12.9	2	
14	SG-L-ALL-01	Safety switch fixed plate	SUS201	1	borrow
13	SG-M43-B-ALL	Cutting chamber assembly	Assembly	1	
12	SG-M43-C-ALL	Screen bracket assembly	Assembly	1	
11	SG-M43-ALL-02	Storage box left fixed plate	SUS201	1	
10	YW66081600000	Flat washer 1 grade (16x1.5)	140HV	4	
9	YW60082010000	Hex. nut M8(anti-loose) (SUS201)		1	
8	YR40083500000	Star handle B M8*35	Assembly	1	
7	YW69621600000	Manual screw M6*20*16		1	
6	SG-24-ALL-01	Suction pipe	SUS201 (1.0)	1	borrow
5	SG-M43-ALL-01	Storage box	Assembly welding	1	
4	SG-M43-D-ALL	Rack Assembly	Assembly welding	1	
3	YW66102000100	Flat washer 1 grade (16x1.5)	140HV	6	
2	YW65010000000	Standard spring washer (16x1.5)	65Mn	6	
1	YW61103000100	Inter. adm. bal. screw (16x1.5x20)	12.9	6	

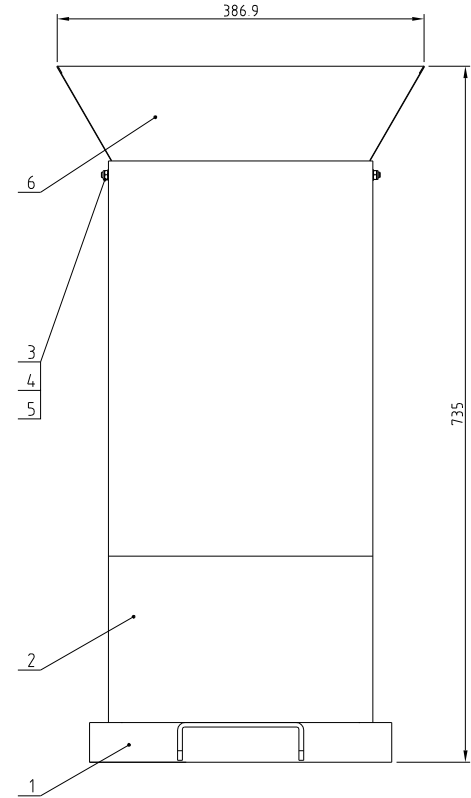
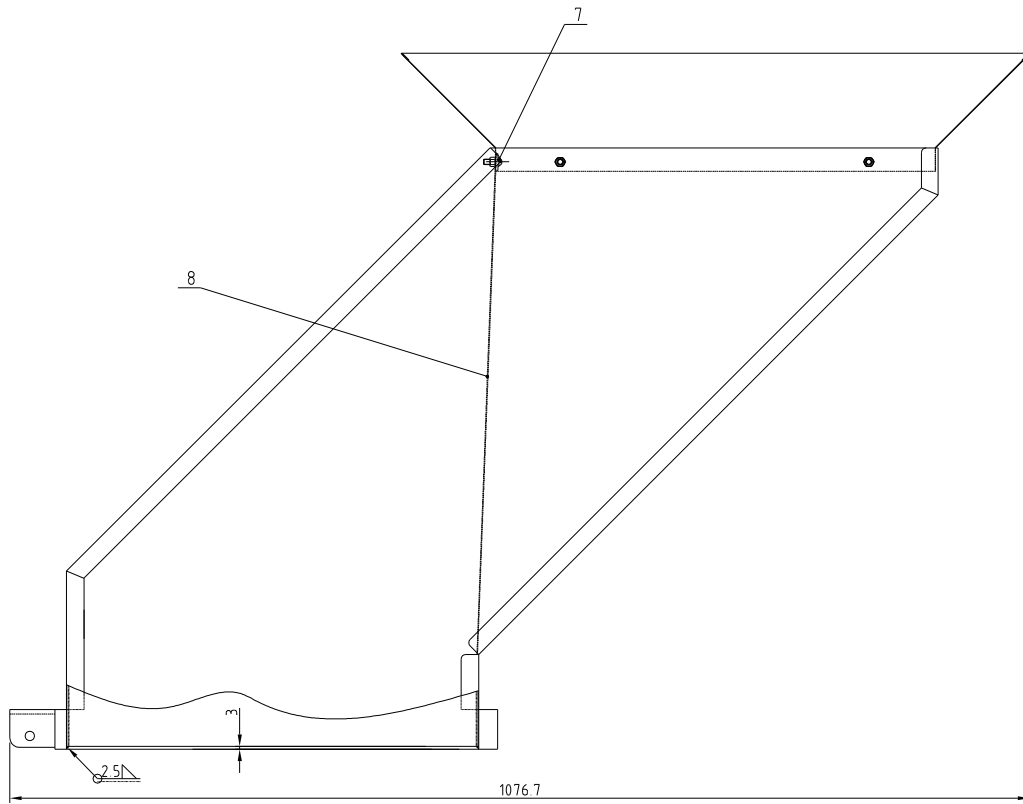
序号	代号	名称	材质	数量	备注
				1	
			材质	Assembly parts	
			表面要求	RAL7016&9010	
			物料号	/	

制图	版号	0	标题	SG-M43	图号	SG-M43-ALL
设计	核准		总成			
校对	日期	20230830	信易电热机械股份有限公司 Shini Plastics Technologies, Inc.			
标记	更改前	更改后				



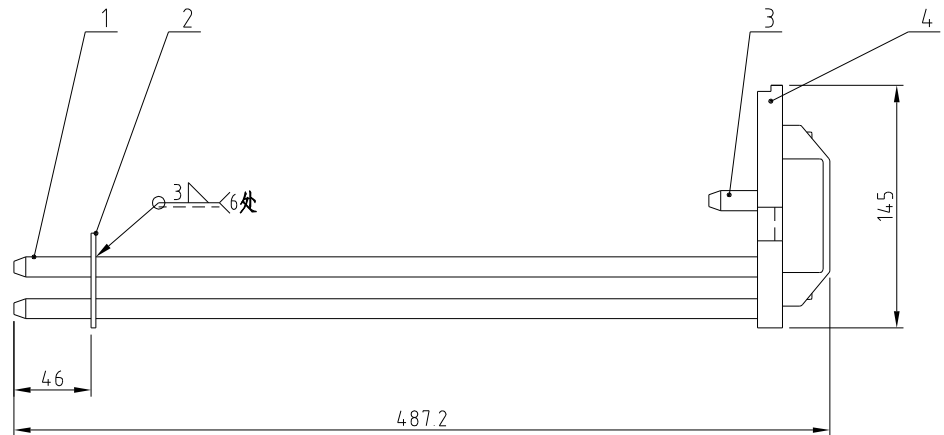
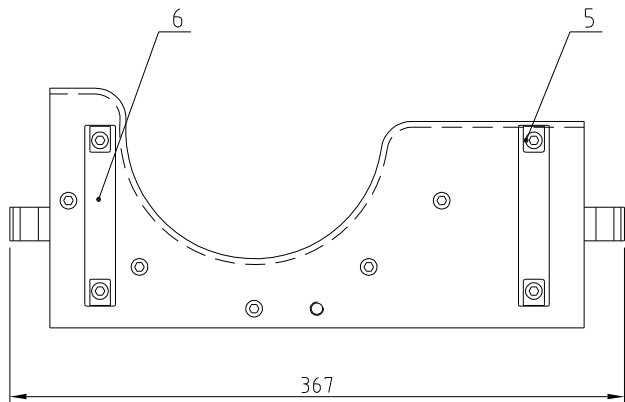
37	YW41004300800	Blade rest 8 SG-M43-B-06 (Q235A)	Q235A	2		16	YW64451500000	Steel round nut GB/T6170 M4x1.5	45	1
36	YW41004300700	Blade rest 7 SG-M43-B-05 (Q235A)	Q235A	2		15	YW09207100100	Hex shield ball bearing with one shield and S-STEEL	Assembly	1
35	YW41002900600	Blade rest 6 SG-M43-B-15 (Q235A)	Q235A	2	borrow	14	YW66102000100	Flat washer 4 grade GB/T91.1 D-Longpin	14.0HV	10
34	YW65012000000	Standard spring washer GB/T91.1 D-Longpin	65Mn	4		13	YW65010000000	Standard spring washer GB/T91.1 D-Longpin	65Mn	15
33	YW61124500000	Inner hex. column head screw M2x5	12.9	4		12	BH10430400110	Rear block SG-M43-B-04 (ver.0)	Q235A	1
32	YM50573700200	Gear motor 3.7kW	Assembly	1		11	YW41011200100	Rotating blade SG-M43-B-01 (Q12MoV) (ver.0)	Cr12MoV	4.5
31	BH10000401210	Right shaft sleeve SG-M43-B-04 (ver.0)	45	1		10	YW65008000100	Standard spring washer GB/T91.1 D-Longpin	65Mn	4.5
30	BH11291100010	Right end plate SG-M43-B-11 (ver.0)	Q235A	1	borrow	9	YW60082000500	Hex bolt GB/T5783 M6x20	12.9	4.5
29	YW41002900500	Blade rest 5 SG-M43-B-10 (Q235A)	Q235A	2	borrow	8	YW68061000000	Inner hex. flat end lock screw GB/T91.1 D-Longpin	12.9	6
28	YW41002900400	Blade rest 4 SG-M43-B-09 (Q235A)	Q235A	2	borrow	7	YW66061300000	Flat washer 4 grade GB/T91.1 D-Longpin	14.0HV	3
27	YW41002900300	Blade rest 3 SG-M43-B-08 (Q235A)	Q235A	2	borrow	6	YW65006000100	Standard spring washer GB/T91.1 D-Longpin	65Mn	3
26	YW41002900200	Blade rest 2 SG-M43-B-07 (Q235A)	Q235A	2	borrow	5	YW61061601200	Inner hex. column head screw M6x16	12.9	3
25	YW41002900100	Blade rest 1 SG-M43-B-06 (Q235A)	Q235A	1	borrow	4	BH10430300110	Front block SG-M43-B-03 (ver.0)	QT500-7	1
24	YW41031200100	Side blade SG-M43-B-03 (Cr12MoV) (ver.0)	Cr12MoV	2		3	YW41004300100	Inner hex. column head screw M10x30	Cr12MoV	2
23	YW61061200100	Inner hex. column head screw GB/T91.1 D-Longpin	12.9	4		2	YW61103000100	Inner hex. column head screw M10x30	12.9	14
22	BH10290500010	Left end plate SG-M43-B-05 (ver.0)	Q235A	1	borrow	1	SG-M43-B-01	Front box block cover plate	SPH4.0	1
21	YW61103500000	Inner hex. column head screw M10x35	12.9	5						

标记	更改前	更改后	更改人	日期	审核	日期	20230901							
				制图	版号	0	标题	SG-M43	图号	SG-M43-B-ALL	比例	1:4	数量	1
				设计	核准		Cutting chamber assembly				材质		Assembly	
				校对			SHINI		信易电热机械股份有限公司 Shini Plastics Technologies, Inc.		表面要求		RAL7016	
											物料号		/	



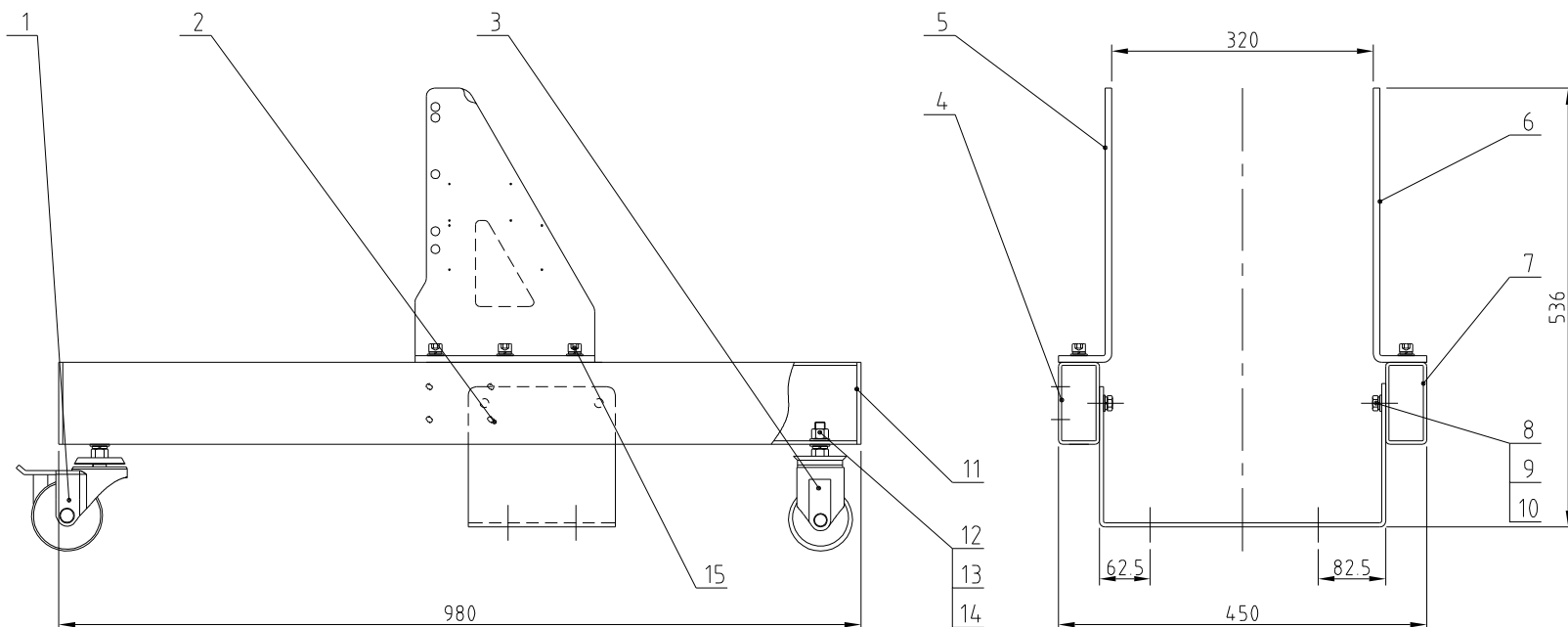
8	SG-M43-A-06	Feeder	white waterproof cloth	1	
7	SG-M29-A-05	Feeder pressing plate	SBOC2.0	1	borrow
6	SG-M43-A-04	Feed port	SPCC 1.5	1	
5	YW640005000000	Hex nut M5 anti-loose	4	6	
4	YW66051000000	Flat washer A grade GB/T97.1 5	Longzine	6	
3	YW62051000100	Large cross recess flat head screw K5000 16x40	Longzine	6	
2	SG-M43-A-02	Feed box	Assembly welding	1	
1	BH10004300710	Feed box lower frame SG-M43-A-01	Assembly welding	1	
序号	代号	名称	材质	数量	备注

					制图		版号	0	标题	SG-M43	图号	SG-M43-A-ALL	比例	1:5	数量	1
					设计		核准		Feed box assembly							
					校对											
标记	更改前	更改后	更改人	日期	审核		日期	20230901	<b>SHINI</b>	信易电热机械股份有限公司 Shini Plastics Technologies, Inc.		表面要求	RAL9010		物料号	/



6	YW06009000100	Small dia. alloy thickened blank handle hole distance 90mm	A1	2	
5	YW61061601200	Inner hex. column head screw GB/T70.1 M6x16-12.9	Longzine	9	
4	BH11290400010	Screen bracket pushing plate SG-M29-C-04 (ver.0)	Q235A	1	borrow
3	BL90290300020	Fixed shaft SG-M29-C-03 (ver.0)	SUS304	2	borrow
2	SG-M29-C-02	Reinforced plate	SUS201 3.0	1	borrow
1	BL90430100120	Support shaft SG-M43-C-01 (ver.0)	SUS304	3	
序号	代号	名称	材质	数量	备注

					制图		版号	0	标题	SG-M43	图号	SG-M43-C-ALL	比例	1:4	数量	1
					设计		核 准		Screen bracket assembly					材质	Assembly	
					校对									表面要求	/	
标记	更改前	更改后	更改人	日期	审核		日期	20230830		信易電熱機械股份有限公司	Shini Plastics Technologies, Inc.		物料号	/		



10	YW65010000000	Standard spring washer GB/T93 10-Longzine	65Mn	10	
9	YW66102000100	Flat washer A grade GB/T97.1 10(11x20x2)-Longzine	140HV	10	
8	YW60102500000	Hex screw GB/T5783 M10x25-12.9-Longzine	12.9	4	
7	SG-M43-D-02	Right support pipe	Q235A	1	
6	SG-M-D-02	Cutting chamber right fixed plate	SPH8.0	1	
5	SG-M-D-01	Cutting chamber left fixed plate	SPH8.0	1	
4	SG-M43-D-01	Left support pipe	Q235A	1	
3	YW03000400300	Screw roller block castor 4" / bore hole screw roller bearing 2005	Assembly	2	
2	SG-M-D-03	Blower fixed plate	SPH5.0	1	
1	YW03000400100	Screw roller block castor 4" / bore hole screw roller bearing 2005	Assembly	2	

15	YW61102000000	Inner hex. column head screw GB/T91.1 M12x72.9-Longzine	12.9	6	
14	YW64012100000	Hex nut GB/T6170 M12-Longzine	4	4	
13	YW65012000000	Standard spring washer GB/T93 12-Longzine	65Mn	4	
12	YW66122400000	Flat washer A grade GB/T97.1 12(13.5x24.5)-Longzine	140HV	8	
11	YR90100509100	Square mill core pipe plug(PP) suitable for pipe thickness: 4-6mm	plastics	4	

				制图	版号	0	标题	SG-M43	图号	SG-M43-D-ALL	比例	1:8	数量	1	备注
				设计	核 准		Rack Assembly	SHINI 信易電熱機械股份有限公司 Shini Plastics Technologies, Inc.			表面要求		RAL7016		
				校对							物料号		/		
标记	更改前	更改后	更改人	日期	审核	日期	20230830								