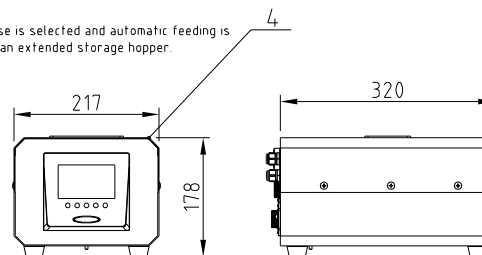
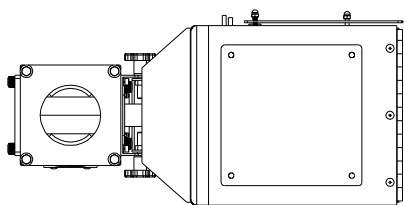


Note: When a heavy-duty base is selected and automatic feeding is required, the hopper adopts an extended storage hopper.

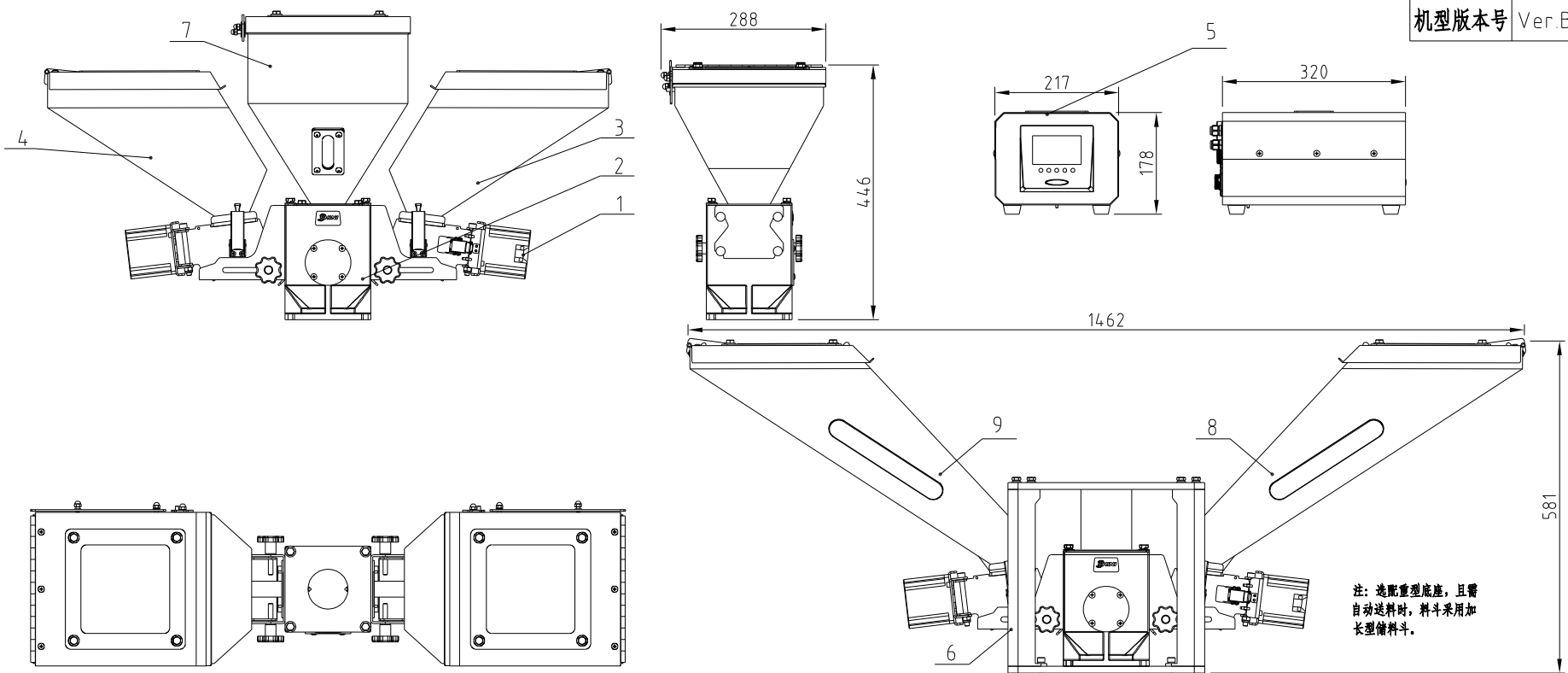


Mold	Screw specifications
SCM-D-38-12	φ12
SCM-D-38-16	φ16
SCM-D-38-20	φ20
SCM-D-38-30	φ30

Technical requirement:  
 1.Main performance parameters:  
 a.Motor power: 60W;  
 b.Power specifications:1φ,230V, 50Hz;  
 c.work noise≤85dB.

7	SCM-L-ALL	Extended storage hopper (Single Color)	Assembly	1	Borrowed /Optional (2)
6	SCM-EB-D-ALL	Main hopper assembly	Assembly	1	
5	SCM-EB-G-ALL	Heavy duty Base Bracket	Assembly	1	
4	SCM-EB-E-ALL	Electric control box assembly	Assembly	1	
3	SCM-38-B-ALL	Storage hopper assembly	Assembly	1	Borrowed
2	SCM-EB-A-ALL	Base assembly	Assembly	1	
1	SCM-EB-C-ALL	Feeding assembly	Assembly	1	
序号	代号	名称	材质	数量	备注

					制图		版号	C	标题	SCM-EB	图号	SCM-EB-ALL	比例	1:10	数量	1
					设计		核准		百捷系列计量式色母混合机					材质	组件	
				20230711	校对						信易電熱機械股份有限公司		表面要求			
标记	更改前	更改后	更改人	日期	审核		日期	20200323			Shini Plastics Technologies, Inc.		物料号			



注: 选配重型底座, 且需自动送料时, 料斗采用加长型储料斗。

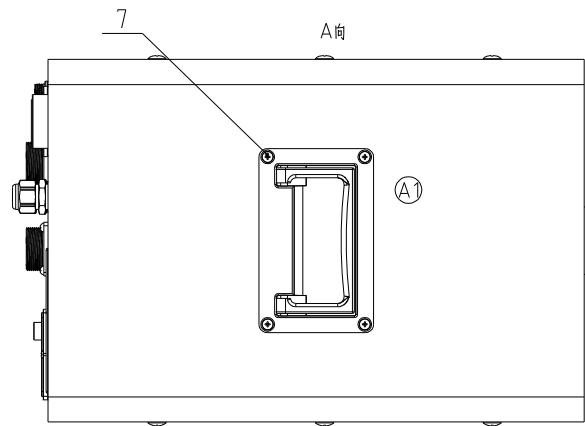
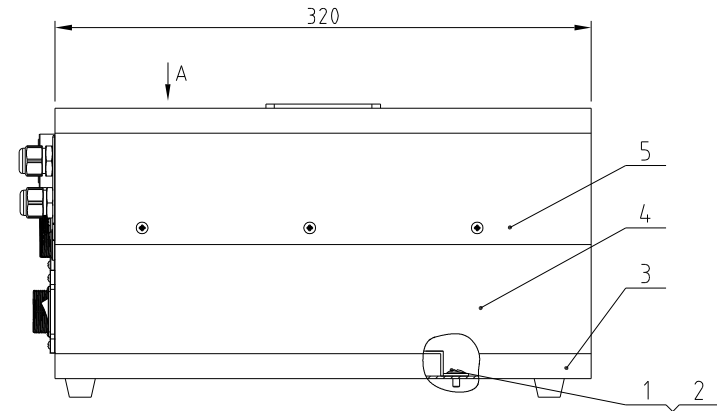
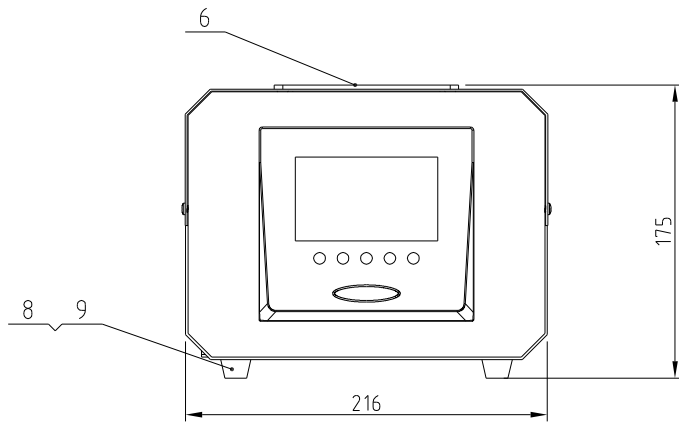
Technical requirement:  
 1. Main performance parameters:  
 a. Motor power: 60W;  
 b. Power specifications: 1φ, 230V, 50Hz;  
 c. work noise ≤ 85dB.

Mold	Screw specifications
SCM-D-38-12	φ12
SCM-D-38-16	φ16
SCM-D-38-20	φ20
SCM-D-38-30	φ30

7	SCM-EB-D-ALL	Main hopper assembly	Assembly	1	
6	SCM-EB-G-ALL	Heavy duty Base assembly	Assembly	1	
5	SCM-EB-E-ALL	Electric control box assembly	Assembly	1	Borrowed
4	SCM-D-38-C-ALL	Storage hopper assembly 2	Assembly	1	Borrowed
3	SCM-38-B-ALL	Storage hopper assembly	Assembly	1	Borrowed
2	SCM-EB-A-ALL	Base assembly	Assembly	1	Borrowed
1	SCM-EB-C-ALL	Feeding assembly	Assembly	2	Borrowed

9	SCM-D-L-ALL	Extended storage hopper (Double Color)	Assembly	1	Borrowed / Optional (2)
8	SCM-L-ALL	Extended storage hopper (Single Color)	Assembly	1	Borrowed / Optional (2)
序号	代号	名称	材质	数量	备注

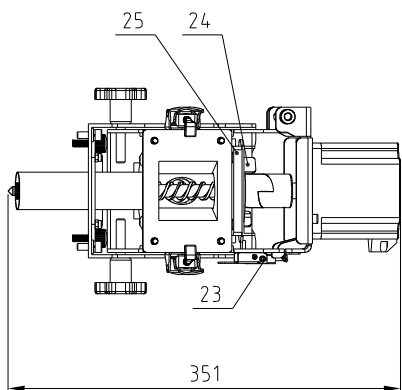
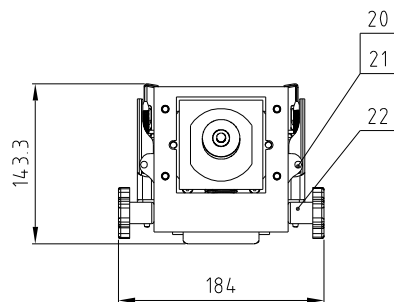
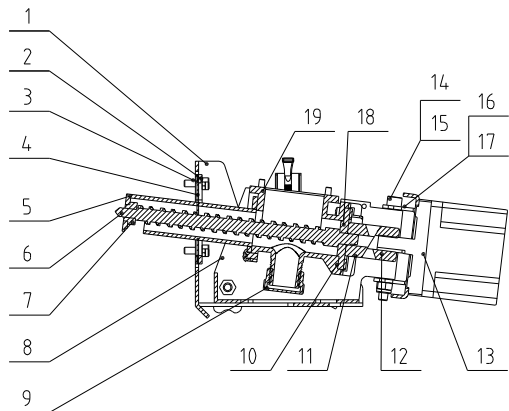
		制图	版号	C	标题	SCM-D-EB	图号	SCM-D-EB-ALL	比例	1:10	数量	1
		设计	核准		百捷系列计量式色母混合机					材质	组件	
		20230711	校对				信易电热机械股份有限公司 Shini Plastics Technologies, Inc.		表面要求			
标记	更改前	更改后	更改人	日期					审核	日期	20200323	物料号



9	YR40121000000	Doser Foot pad	Rubber	4	
8	YW62041000000	Cross recessed pan head screw M4 x10		4	
7	YW61040600100	Cross socket counter sunk head screw M4x6	turn black	4	
6	YW06387300500	Zinc alloy handle		1	
5	SCM-EB-E-02	Electric control box cover	SPCC1.2	1	
4	YW62051000100	Cross recessed pan head screw M5 x10	4.8	6	
3	SCM-EB-E-01	Electric control box	SPCC1.5	1	
2	YW62051000100	Cross recessed pan head screw M5 x10	4.8	2	
1	SCM-EB-E-03	Base plate of control box	SECC1.5	1	

序号	代号	名称	材质	数量	备注
----	----	----	----	----	----

					制图	版号	A	标题	SCM-EB	图号	SCM-EB-E-ALL	比例	1:4	数量	1
					设计	核准			电控箱组合					材质	组件
				20201226	校对							表面要求			
标记	更改前	更改后	更改人	日期	审核		日期	20200323	<b>信易電熱機械股份有限公司</b> <b>Shini Plastics Technologies, Inc.</b>			物料号			



Tech. Req:

1. When using optional  $\phi 16$  or  $\phi 20$  screw, change the No.(4) plastic fender from the plastic fender 25 to plastic fender 34, change the No.(5) screw sleeve from screw sleeve  $\phi 12$  to screw sleeve  $\phi 16$  or  $\phi 20$ , and change the No.(6) screw from screw  $\phi 12$  to screw  $\phi 16$  or screw  $\phi 20$  in standard conveyor combination and configuration.

2. When using optional  $\phi 30$  screw, change the No. (4) plastic fender from the plastic fender 25 to plastic fender 47, No.(20) conveying pipe, and accessory options, and change the No. (6) screw from screw  $\phi 12$  to screw  $\phi 30$ ;

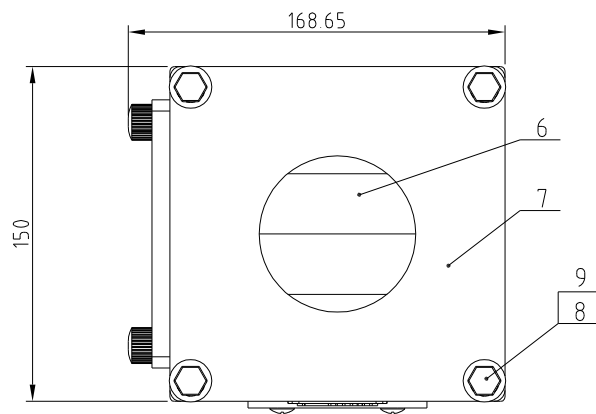
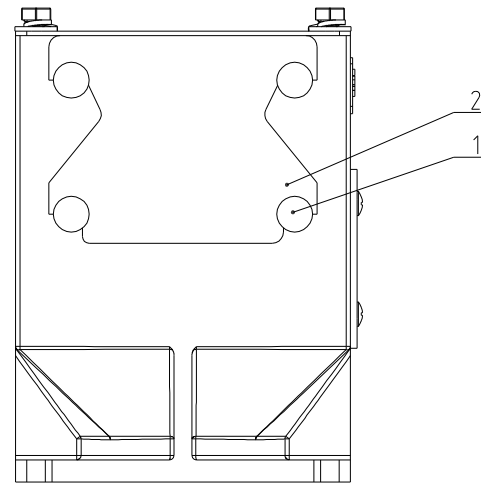
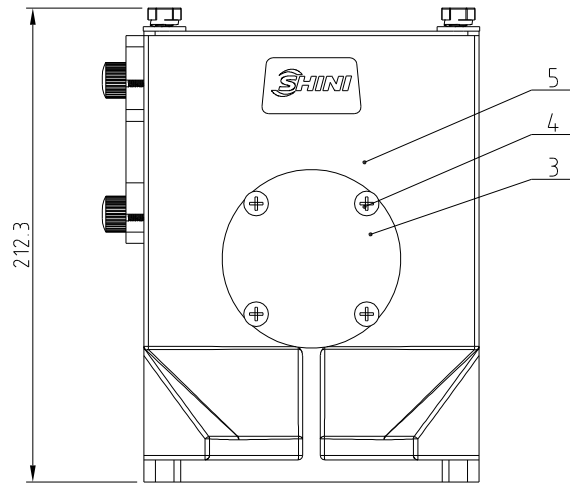
23	YW02040102000	Snap Hook CCM-401	SUS201	1	
22	YR40083500000	Five star handle type B M8x35	Assembly	2	
21	YW62041000100	Cross recessed pan head screw M4x10	4.8	4	
20	YW02003000400	New Adjustable snap hook	Assembly	2	
	SCM-EB-C-11	$\phi 30$ MM Screw sleeve		1	Optional 30 screw
19	SCM-38-C-04	Feeding pipe		1	Standard equipped Borrowed
18	SCM-38-C-14	Screw accessories 3	teflon	1	Borrowed
17	SCM-EB-C-01	Main fixing bracket 2	SPCC3.0	1	
16	YW61062500000	Inner hexagon screw M6x25	12.9	4	
15	YW64000800100	Anti-loose nut M8		1	
14	YW60701800100	Inner hexagon screw M8x85	Longzine	1	
13	YM50451400000	Stepping motor 3402HS45U14		1	
12	SGD-EB-A-06	Shaft coupler 2	AC4D	1	Borrowed
11	SCM-38-C-17	Shaft coupler 1	AC4D	1	Borrowed
10	YW62050800000	Cross recessed pan head screw M5x8	4.8	4	
9	SCM-38-C-28	Nut	6061	1	Borrowed
8	SCM-C-03	Main fixing bracket 1	SPCC3.0	1	Borrowed
7	SCM-38-C-05	Screw accessories 2	teflon	1	Borrowed
6	SCM-EB-C-07	Doser screw $\phi 30$ MM	45	1	
	SCM-EB-C-06	Doser screw $\phi 20$ MM	45	1	
	SCM-EB-C-05	Doser screw $\phi 16$ MM	45	1	
	SCM-EB-C-04	Doser screw $\phi 12$ MM	45	1	
5	SCM-EB-C-10	$\phi 16$ MM screw sleeve	SUS201	1	Optional
	SCM-EB-C-09	$\phi 20$ MM screw sleeve	SUS201	1	Optional
	SCM-EB-C-08	$\phi 12$ MM screw sleeve	SUS201	1	Standard equipped
4	SCM-38-C-30	Retaining rubber 47	Silica gel	1	Optional Borrowed
	SCM-38-C-29	Retaining rubber 34	Silica gel	1	Optional Borrowed
	SCM-38-C-01	Retaining rubber 25	Silica gel	1	Standard equipped Borrowed
3	SGD-C-29	Retaining accessories 2	SUS201	1	Borrowed
2	SGD-C-28	Retaining accessories 1	SUS201	1	Borrowed
1	SCM-C-02	Side fixing bracket	SPCC3.0	1	Borrowed

25	SCM-38-C-16	Transport connection plate	SUS201	1	Borrowed
24	SCM-38-C-15	Screw fixing plate	SUS201	1	Borrowed

序号	代号	名称	材质	数量	备注
制图		版号	A	标题	SCM-EB
设计		核准		图号	SCM-EB-C-ALL
20230711 校对		日期	20200702	比例	1:6
标记		更改前	更改后	更改人	日期
		表面要求	物料号		



信易電熱機械股份有限公司  
Shini Plastics Technologies, Inc.



9	YW66081900000	Flat washer 8	100HV	4	
8	YW60081600100	Hex bolt M8x16	8.8	4	
7	SCM-EB-A-04	Base cover	SPCC	1	
6	SCM-EB-A-03	Baffle plate	SUS304	1	
5	SCM-EB-A-01	Base	SUS201	1	
4	YW62050800000	Large cross socket flat head screw JIS1111 M5x8		4	
3	SCM-EB-A-02	Sight-glass	PC	1	
2	BH14.129600010	Doser End Plate	PC	1	Double Color Dosers cancellation
1	YW69621600000	Hand screw 6x20	Assembly	4	Double Color Dosers cancellation
序号	代号	名称	材质	数量	备注

					制图	版号	0	标题	SCM-EB	图号	SCM-EB-A-ALL	比例	1:3	数量	1
					设计	核准			底座组合				材质	组件	
					校对							表面要求			
标记	更改前	更改后	更改人	日期	审核	日期	20200323	信易電熱機械股份有限公司 Shini Plastics Technologies, Inc.				物料号			