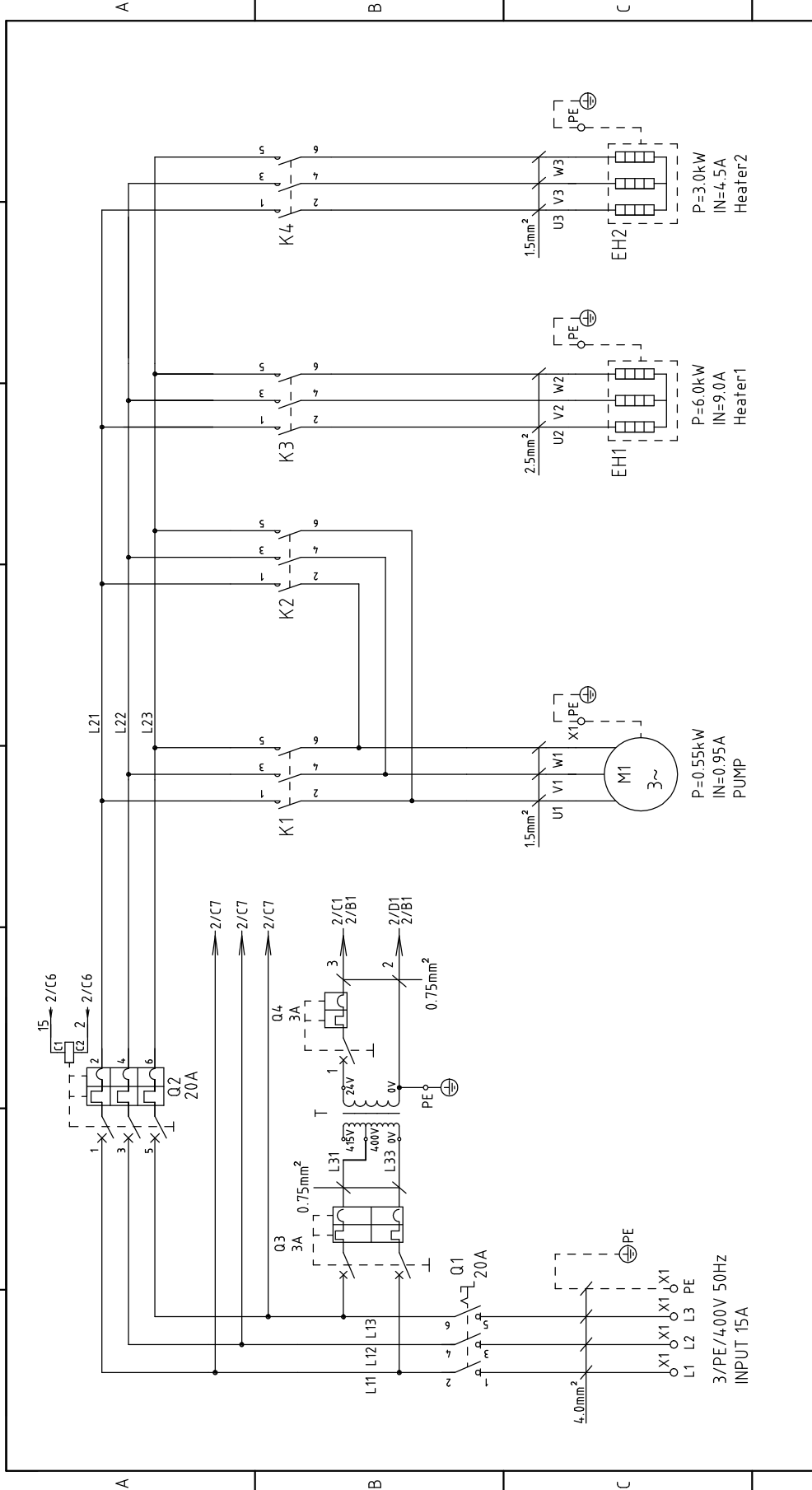


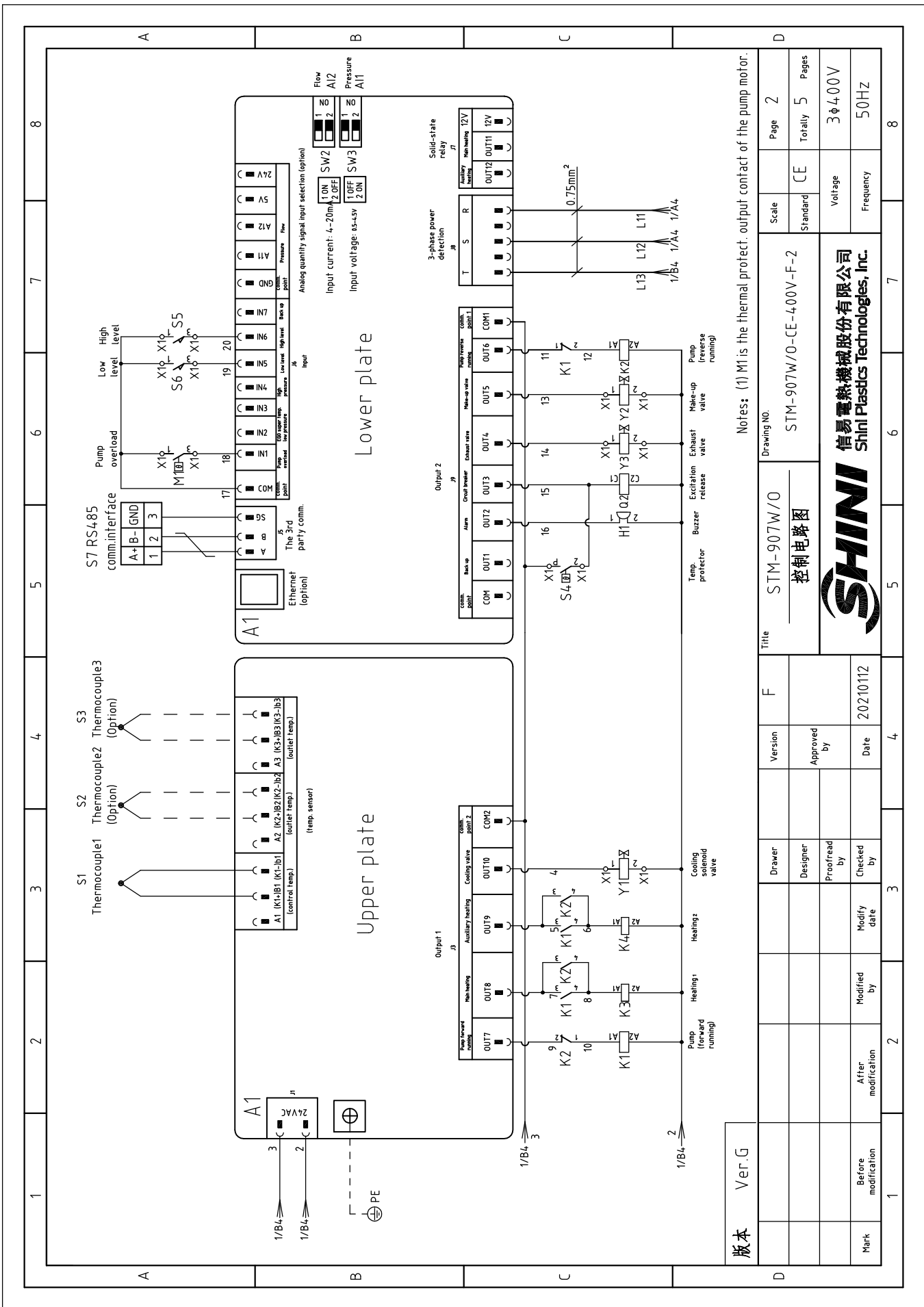
1 2 3 4 5 6 7 8



版本 Ver.G		Title STM-907W/O 主电路图		Drawing NO. STM-907W/O-CE-400V-F-1		Scale		Page 1	
		Version		Approved by		Standard		Totally 5 Pages	
Mark		Date		Date		Voltage		Frequency	
Before modification		20210112		20210112		3Φ400V		50Hz	
After modification		Modified by		Checked by		Frequency		50Hz	
Modify date		Date		Date		Frequency		50Hz	
Proofread by		Date		Date		Frequency		50Hz	
Designer		Date		Date		Frequency		50Hz	
Drawer		Date		Date		Frequency		50Hz	




1 2 3 4 5 6 7 8



Notes: (1) M1 is the thermal protect. output contact of the pump motor.

Version	Ver.G	Scale	Standard	Page	2
Drawer		Title	STM-907W/O	Totally	5
Designer		Control circuit diagram	STM-907W/O-CE-400V-F-2	Pages	
Proofread by		Version	F	Voltage	3φ400V
Checked by	20210112	Approved by		Frequency	50Hz
Modified by		Date			
After modification					
Before modification					



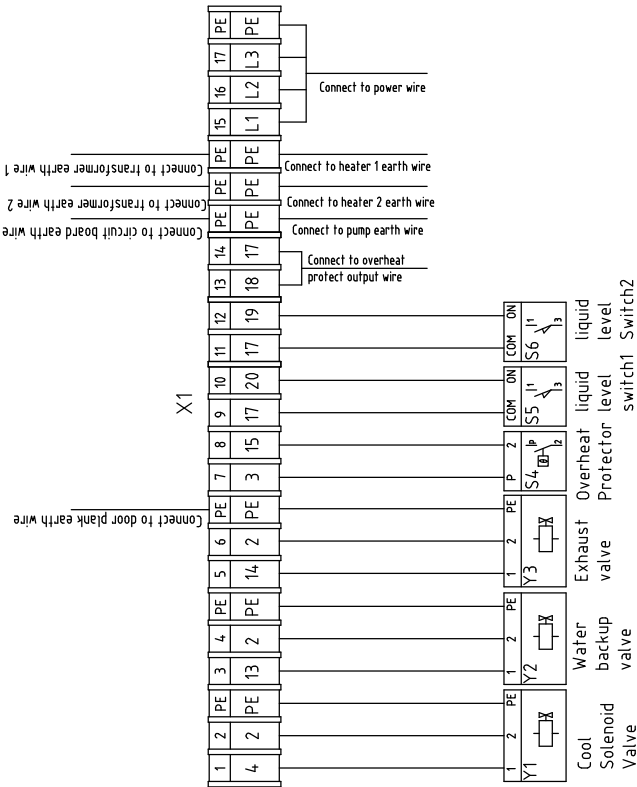
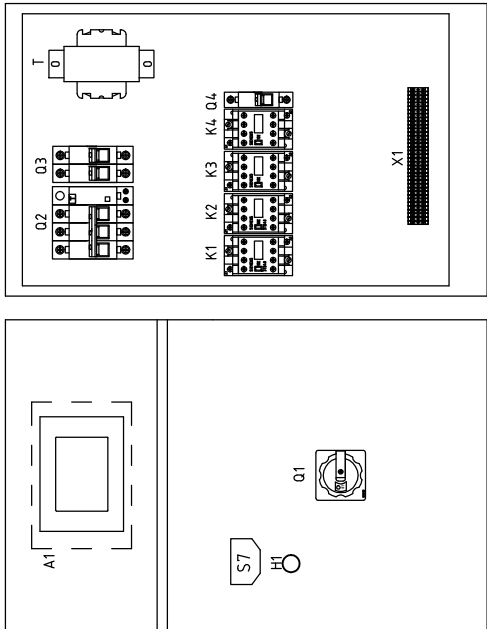
**信易电热机械股份有限公司**  
Shini Plastics Technologies, Inc.

A

B

C

D



版本 Ver.G Tech. Req: (1)The pump and heater are directly connected to contactor output end;

Mark	Before modification	Modified by	Modify date	Date	Checked by	Proofread by	Designer	Drawer	Version	F	Title	Drawing NO.		Page
	After modification	Modified by	Modify date									STM-907W/O	STM-907W/O-CE-400V-F-3	
Mark	Before modification	Modified by	Modify date	Date	Checked by	Proofread by	Designer	Drawer	Version	F	Title	Standard		Pages
	After modification	Modified by	Modify date									CE	5	
Mark	Before modification	Modified by	Modify date	Date	Checked by	Proofread by	Designer	Drawer	Version	F	Title	Voltage		Frequency
	After modification	Modified by	Modify date									3Φ400V	50Hz	



信易电热机械股份有限公司  
Shini Plastics Technologies, Inc.

A

B

C

D

1		2		3		4		5		6		7		8	
NO.	Symbol	Name	Manufacturer	Type	Specification	Number	Material number	Remark							
1	Q1	Main switch	EATON	TO-2-1/EA/SVB	20A	1	YE1002160000								
2	Q2	Circuit breakers	TECO	BM-63C/3020S	20A	1	YE40302003000								
3		Excitation release	TECO	MX	24VAC	1	YE40024000000								
4	K1 K2	Contactors	SIEMENS	3RT6015-1AB01	24VAC	2	YE00601502500		A						
5		Auxiliary contact	SIEMENS	3RH6911-1HA22	2N0+2NC	2	YE00691100000								
6	K3	Contactors	SIEMENS	3RT6018-1AB01	24VAC	1	YE00601802500								
7	K4	Contactors	SIEMENS	3RT6016-1AB01	24VAC	1	YE00601602500								
8	Q3	Circuit breakers	TECO	BM-63C/2003S 2P	3A	1	YE40200203000								
9	Q4	Circuit breakers	TECO	BM-63C/1003S 1P	3A	1	YE40100203000								
10	T	Mutual transformer	JIUXIN	IN=400V/4.15V OUT=24V	80VA	1	YE70040006500								
11	S1	Thermocouple	SHINI	----	----	1	----	(1)	B						
12	S2 S3	Thermocouple	SHINI	----	----	2	----	(2)							
13	S4	Overheat protector	----	----	----	1	----	(1)							
14	S5 S6	Micro switch	----	----	----	2	----	(1)							
15	S7	Connect to comm. interface board RS-485(Dsub-9pin connector)	YUYUN	----	PCS	1	YE90048501200								
16	A1	RS485(SAL-700G-A-19)ver.0	BINCHENG	----	PCS	1	YR40048500000								
17	A1	Circuit board	PUNP	TM-W0-24VAC	180~600V 50/60Hz	1	YE81241800100								
18	Y1 Y2 Y3	Solenoid valve	----	----	24VAC 50/60Hz	3	----	(1)							
19	X1	Terminal board	HONEYWELL	SK2.5	----	12	YE60002503200		C						
20		Earth terminal board	HONEYWELL	GK2.5PE	----	6	YE60002503400								
21		Terminal board	HONEYWELL	SK4	----	3	YE60000403200								
22		Earth terminal board	HONEYWELL	GK5PE	----	1	YE60000403500								
23	H1	Buzzer	JINGKANG	PK-35A	24VAC/DC	1	YE84003500600								
24	M1	Motor	SHINI	VP-55	400V 50Hz 0.55kW	1	----	(1)							
25	EH1	Heater	----	----	400V 50Hz 6kW	1	----	(1)							
版本		Ver.G	Notes: (1) Materials not in the control box; (2) Optional output and return water temp. display function;												
		Ver.G	Title		Drawing NO.		Scale		Page		4				
			STM-907W/0		STM-907W/0-CE-400V-F-4		CE		Voltage		3Φ4.00V				
			电气元件明细表				Standard		Frequency		50Hz				
			SHINI		信易电热机械股份有限公司		SHINI		Shini Plastics Technologies, Inc.						
Mark	Before modification	After modification	Modified by	Modify date	Checked by	Date	20210112						8		
			Version	F	Approved by		Date		Voltage		50Hz				
			Designer	Approved by		Date		Frequency		50Hz		8			
			Proofread by	Approved by		Date		Voltage		3Φ4.00V		8			
			Checked by	Approved by		Date		Frequency		50Hz		8			

