

1.5mm²
L1 X1
L2 X1
L3 X1
PE X1
3/PE/230V 50Hz
INPUT 4.7 A

0.75mm²
24V
230V
0V
0V
PE

Phase sequence protector

F1 RANGE 3.5-5A
SET 4.7A

M1
P= 1.1 KW
IN= 4.7 A
Mixing Motor

If not selecting material level sensor,
connect wire 4 to wire 5.

SVM-160U	Ver.F
SVM-300U	Ver.E

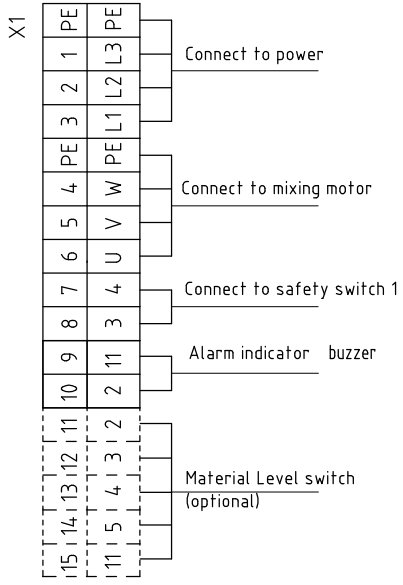
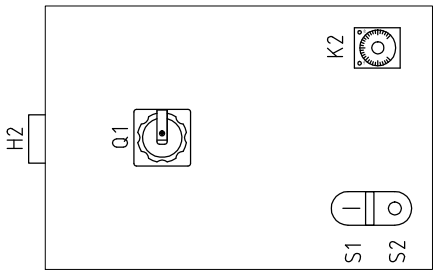
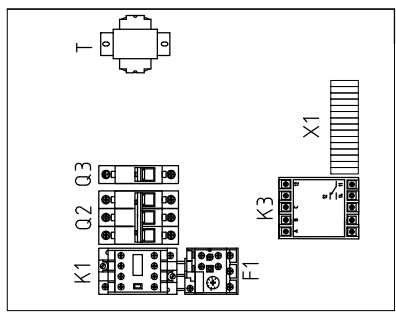
Mark	Before modification	Modified by	Modify date	Approved by	Date	Version	G	Scale	Page 1
Drawer		Designer	Proofread by	Checked by	20191205			Standard	Totally 3 Pages
Title SVM-160U/300U		Circuit Diagram		Drawing NO. SVM-160U/300U-CE-230V-G-1		Voltage		Frequency	
						230V		50HZ	
								8	



1 2 3 4 5 6 7 8

A B C D

A B C D



SVM-160U	Ver.F
SVM-300U	Ver.E

Drawer	Version	G	Title SVM-160U/300U Electrical Components Layout		Drawing NO. SVM-160U/300U-CE-230V-G-2		Scale	Page 2
Designer	Approved by		SHINI		信易電熱機械股份有限公司 Shini Plastics Technologies, Inc.		Standard	Totally 3 Pages
Proofread by	Date	20191205					Voltage	230V
Checked by	Modify date						Frequency	50HZ
Modified by	After modification							
Before modification	Modify date							
Mark								

1 2 3 4 5 6 7 8

1		2		3		4		5		6		7		8	
NO.	Symbol	Name	Manufacturer	Type	Specification	Number	Material number	Remark							
1	Q1	Main power switch	EATON	T0-2-1/EA/SVB	20A	1	YE10021160000								
2	Q2	Circuit breaker	TECO	BM-63C /3010	10A	1	YE40301003000								
3	Q3	Circuit breaker	TECO	BM-63C/1003	3A	1	YE40100203000								
4	K1	Contact	SIEMENS	3RT6016-1AB01	24VAC	1	YE00601602500								
5	K2	Time relay	YUYUN	TM48S-AB	24VAC	1	YE03482400000								
6	K3	Phase sequence protector	CHAOSHI	ABJ-10W	230V	1	YE03102200000								
7	T	Transformer	JIUXIN	IN=230V OUT=24VAC	80VA	1	YE70248005900								
8	H2	Alarm light	SHINI	Three-color alarm lamp (Red, Yel, Gre + buzzer)	24VDC/VAC	1	BL90000011520								
9	F1	Overload relay	SIEMENS	3RU6116-1DB0	3.5-5A	1	YE01160350000								
10	X1	Terminal board	HONEYWELL	SK2.5	2.5mm ²	12	YE60002503200								
11			HONEYWELL	SK2.5	2.5mm ²	5	YE60002503200	(2)							
12			HONEYWELL	GK2.5PE	2.5mm ² PE	2	YE60002503400								
13	S1 S2	Control switch	DONGSHENG	APBB-22N(indicator 24VAC)	600V 10A	1	YE11222400000								
14	S3	Safety switch	SCHMERSRC	AZ15ZVRK-1476-1+B3	230VAC	1	YE16152600100	(1)							
15	M1	Motor	WEG	1.1KW	400 50/60Hz	1	----	(1)							
16	MS	Material Level switch	SIPAI	SR-80	24VAC	1	YE15802400100	(1) (2)							
Notes: (1)Means it's not the material inside the control box. (2)Means optional material level switch.															
SVM-160U		Ver.F SVM-300U		Ver.E		G		Title SVM-160U/300U Electrical Components List 1		Drawing NO. SVM-160U/300U-CE-230V-G-3		Scale Standard CE		Page 3 Totally 3 Pages	
Mark		Before modification		Modified by		Modified date		Checked by		Date		Voltage Frequency		230V 50HZ	
						20191205									



信易電熱機械股份有限公司
Shini Plastics Technologies, Inc.

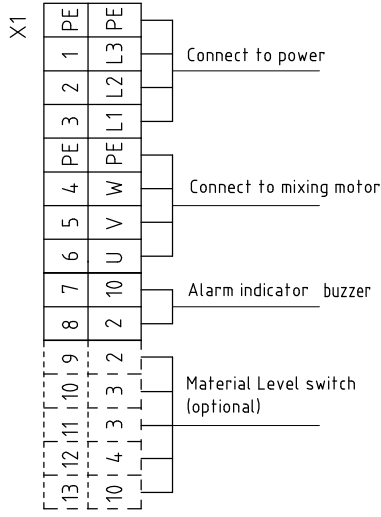
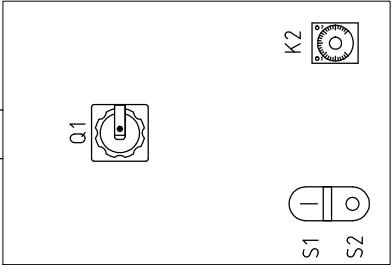
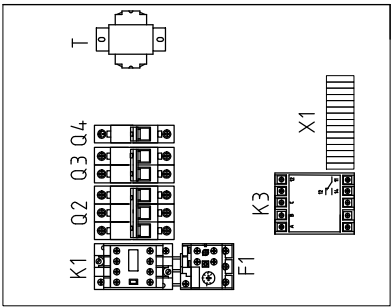
1 2 3 4 5 6 7 8

A

B

C

D

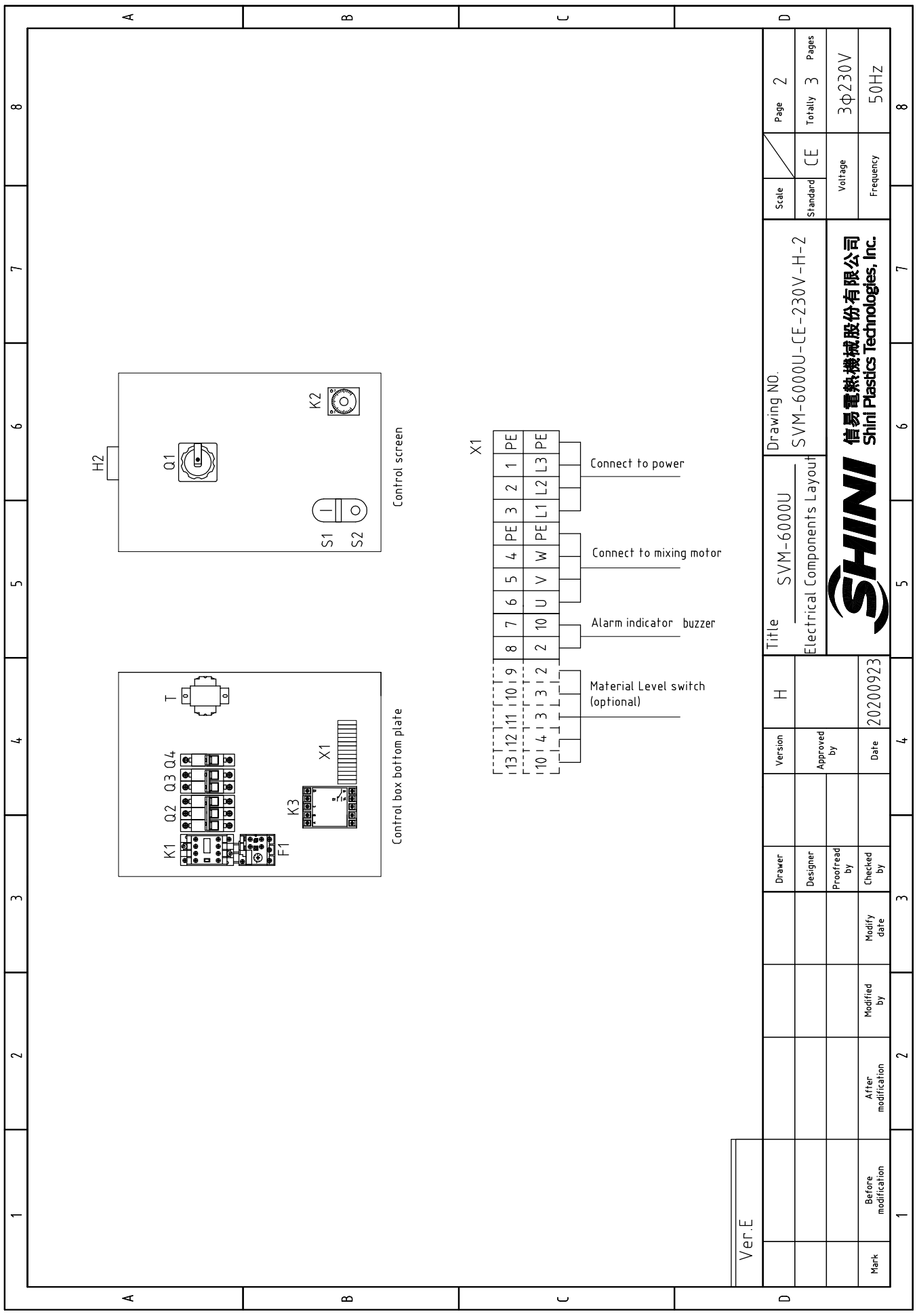


SVM-2000U	Ver.E
SVM-3000U	Ver.E
SVM-4000U	Ver.E


Mark	Before modification	Modified by	Modify date	20200923	Date	H	Version	Title SVM-2000U~4000U Electrical Components Layout	Drawing NO. SVM-2000U~4000U-CE-230V-H-2	Scale	Page 2
	After modification	Modified by	Modify date							Standard	Totally 3
										CE	Pages
										Voltage	3φ230V
										Frequency	50HZ
										8	

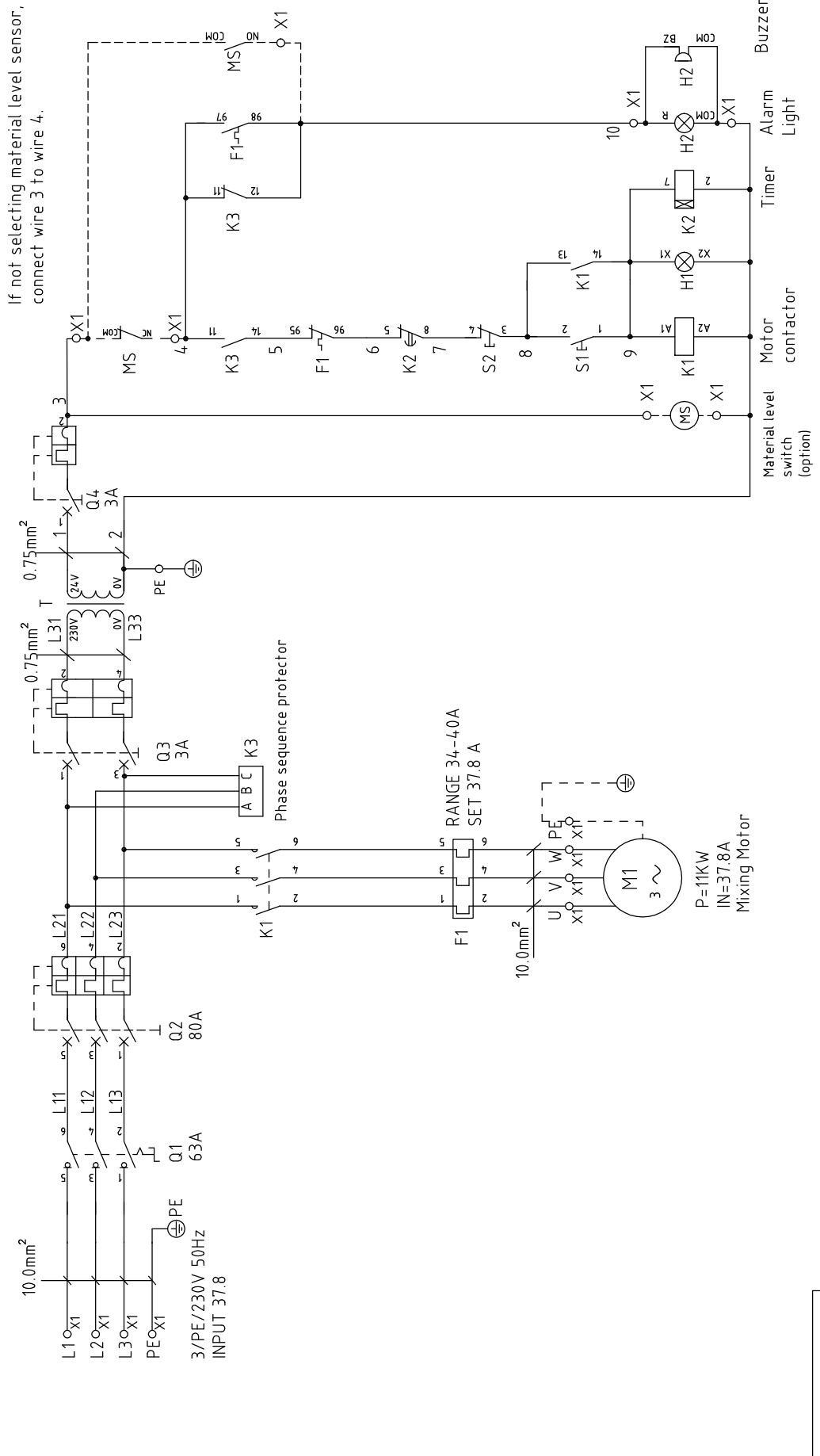


1		2		3		4		5		6		7		8	
NO.	Symbol	Name	Manufacturer	Type	Specification	Number	Material number	Remark							
1	Q1	Main power switch	EATON	P1-25/EA/SVB	25A	1	YE1002160000								
2	Q2	Circuit breaker	TECO	BM-63C/3040	40A	1	YE40304003000								
3	Q3	Circuit breaker	TECO	BM-63C/2003	3A	1	YE40200203000								
4	Q4	Circuit breaker	TECO	BM-63C/1003	3A	1	YE40100203000								
5	K1	Contactor	SIEMENS	3RT6027-1AC20	24VAC	1	YE00602702600								
6	K2	Time relay	YUYUN	TM48S-AB	24VAC	1	YE03482400000								
7	K3	Phase sequence protector	CHAOSHI	ABJ-10W	230V	1	YE03102200000								
8	T	Transformer	JIUXIN	IN=230V OUT=24VAC	80VA	1	YE70248005900								
9	H2	Alarm light	SHINI	Three-color alarm lamp (Red, Yel, Gre + buzzer)	24VDC/VAC	1	BL90000011520								
10	F1	Overload relay	SIEMENS	3RU6126-4BB0	14-20A	1	YE01260140000	New							
11	X1	Terminal board	HONEYWELL	SK4	4.0mm ²	6	YE6000403200								
12			HONEYWELL	SK4PE	4.0mm ² PE	2	YE61041000000								
13			HONEYWELL	SK2.5	2.5mm ²	2	YE60002503200								
14			HONEYWELL	SK2.5	2.5mm ²	5	YE60002503200	(2)							
15	S1 S2	Control switch	DONGSHENG	APBB-22N(indicator 24VAC)	600V 10A	1	YE11222400000								
16	M1	Motor	WEG	5.5KW	230V 50/60Hz	1	----	(1)							
17	MS	Material level switch	SIPAI	SR-80	24VAC	1	YE15802400100	(1) (2)							
C															
D															
SVM-2000U		SVM-3000U		SVM-4000U		Ver.E		Notes: (1)Means it's not the material inside the control box. (2)Means optional material level switch.		Scale		Page		8	
				Ver.E		H		Title: SVM-2000U~4000U		Drawing NO.		Standard		Totally	
				Approved by		Electrical Components List 1		SVM-2000U~4000U-CE-230V-H-3		CE		3		3	
				Date		20200923		SHINI		Voltage		3φ230V		50HZ	
Mark		Before modification		Modified by		Modify date		SHINI 信易電熱機械股份有限公司 Shini Plastics Technologies, Inc.		Frequency		3		8	



Ver.E

Mark	Before modification	Modified by	Modify date	3	4	H	Version	Title	Drawing NO.	Scale	Page	8
	After modification	Modified by	Modify date								2	
Electrical Components Layout										Standard	CE	Voltage 3φ230V
SVM-6000U-CE-230V-H-2										Frequency	50HZ	
 信易電熱機械股份有限公司 Shini Plastics Technologies, Inc.												7
												6
												5
												4
												3
												2
												1




If not selecting material level sensor,
connect wire 3 to wire 4.

Ver.C

Mark	Before modification	Modified by	20191205	Date	Approved by	Version	G	Title	Drawing NO.		Page 1
	After modification	Checked by	20191205						Standard	CE	Totally 3
Ver.C								SVM-10000U	SVM-10000U-CE-230V-G-1	Scale	Page 1
								Circuit Diagram		Standard	Totally 3
										Voltage	230V
										Frequency	50HZ



信易電熱機械股份有限公司
Shini Plastics Technologies, Inc.

1		2		3		4		5		6		7		8	
NO.	Symbol	Name	Manufacturer	Type	Specification	Number	Material number	Remark							
1	Q1	Main power switch	EATON	P3-63/EA/SVB	63A	1	YE10636300000								
2	Q2	Circuit breaker	TECO	BM-100D/3080	80A	1	YE40308003000								
3	Q3	Circuit breaker	TECO	BM-63C/2003	3A	1	YE40200203000								
4	Q4	Circuit breaker	TECO	BM-63C/1003	3A	1	YE40100203000								
5	K1	Contacto	SIEMENS	3RT6028-1AC20	24VAC	1	YE00602802600								
6	K2	Time relay	YUYUN	TM48S-AB	24VAC	1	YE03482400000								
7	K3	Phase sequence protector	CHAOSHI	ABJ-10W	230V	1	YE03102200000								
8	T	Transformer	JIUXIN	IN=230V OUT=24VAC	120VA	1	YE70023005500								
9	H2	Alarm light	SHINI	Three-color alarm lamp (Red, Yel, Gre + buzzer)	24VDC/VAC	1	BL90000011520								
10	F1	Overload relay	SIEMENS	3RU6126-4FB0	34-40A	1	YE01612640000								
11	X1	Terminal board	HONEYWELL	GK10	10.0mm ²	6	YE60001003200								
12			HONEYWELL	GK10PE	10.0mm ² PE	2	YE60001003500								
13			HONEYWELL	SK2.5	2.5mm ²	2	YE61250040000								
14			HONEYWELL	SK2.5	2.5mm ²	5	YE61250040000	(2)							
15	S1 S2	Control switch	DONGSHENG	APBB-22N(indicator24VAC)	600V 10A	1	YE11222400000								
16	M1	Motor	WEG	11KW	400 50/60Hz	1	----	(1)							
17	MS	Material Level switch	SIPAI	SR-80	24VAC	1	YE15802400100	(1) (2)							
C															
Ver.C Notes: (1)Means it's not the material inside the control box. (2)Means optional material level switch.															
D															
Title SVM-10000U Electrical Components List 1										Drawing NO. SVM-10000U-CE-230V-G-3			Scale CE		Page 3
										Voltage 230V		Frequency 50HZ		Totally 3 Pages	
Mark	Before modification	Modified by	Modify date	Checked by	Date	20191205									
1 2 3 4 5 6 7 8															