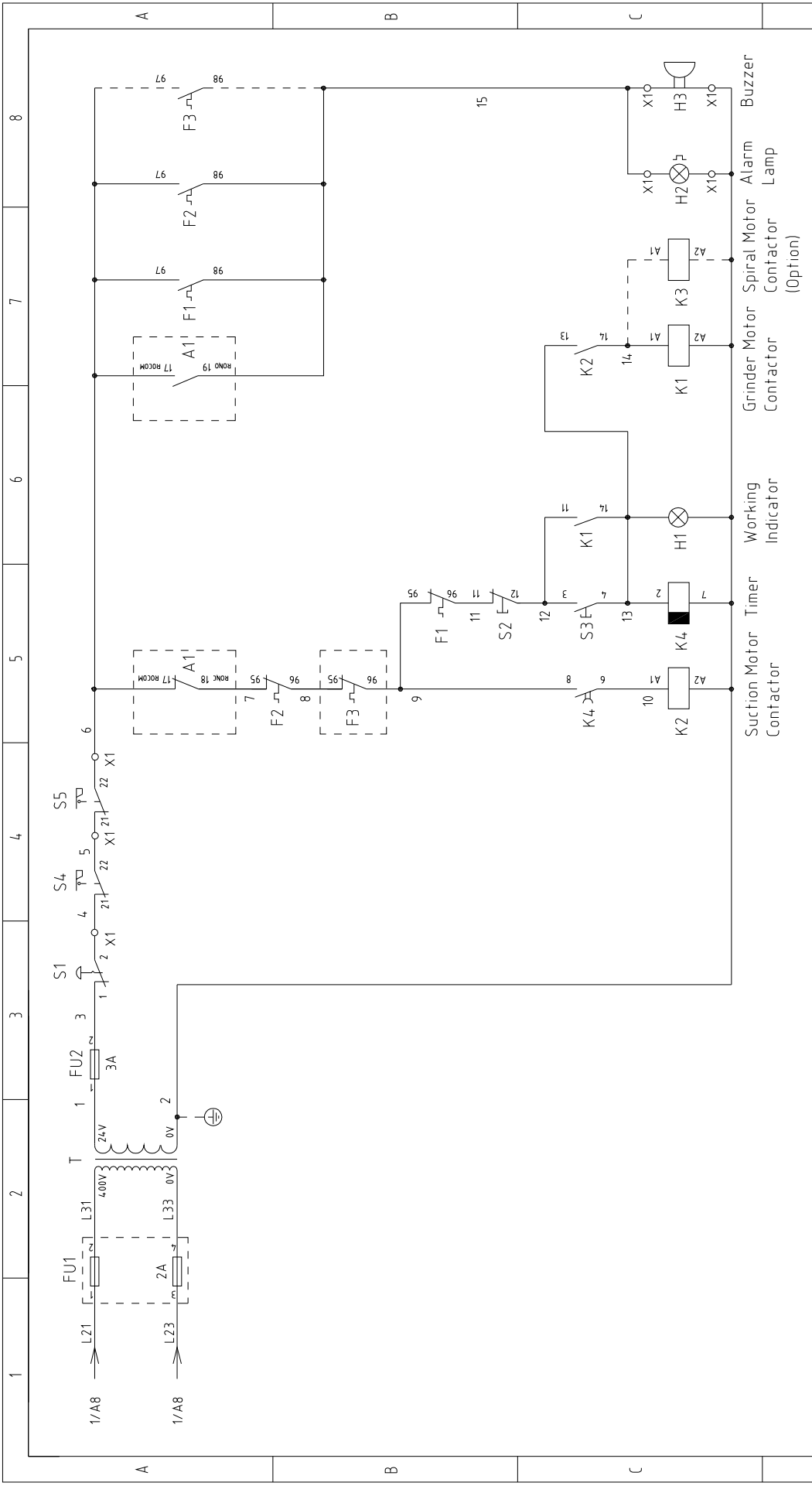


Notes: when machine is optional with rotating motor, the feeding blower M2 is: P=1.1kW IN=2.4A, thermal overload F2 is RANGE 2.2-3.2A SET 2.4A.

版本	VerB
Mark	Before modification
	Modified by
	Modify date
	Checked by
	Proofread by
	Designer
	Drawer
Version	C
Approved by	
Date	20180103

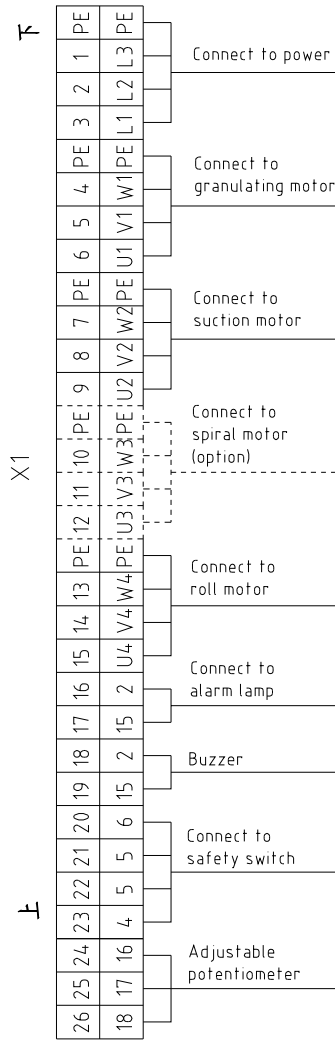
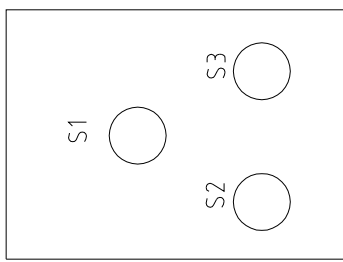
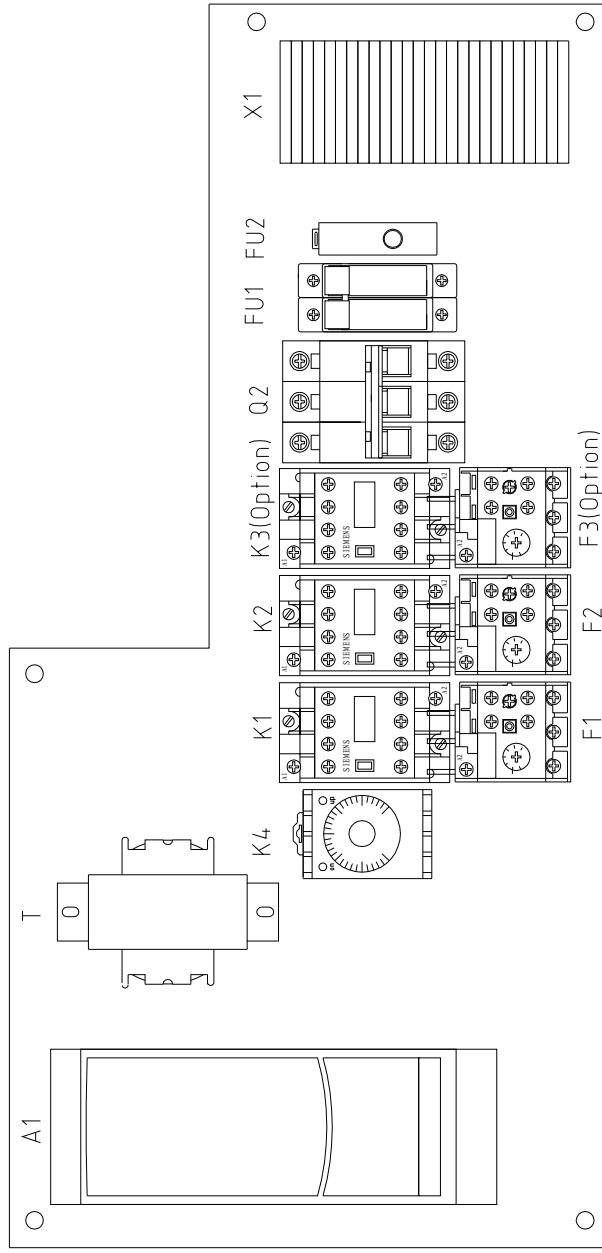
Title	SGF-2628E	Drawing No	SGF-2628E-GB-400V-C-1
	Main Circuit Diagram		
Scale	Standard	GB	Page 1
	Voltage	400V	Totally 5
	Frequency	50HZ	Pages





版本		VerB		1		2		3		4		5		6		7		8			
D	Mark	Before modification	Modified by	Modify date	Checked by	Proofread by	Designer	Drawer	Version	C	Title		SGF-2628E		Drawing NO		Scale		Page	2	
											Control Circuit Diagram		SGF-2628E-GB-4.00V-C-2		Standard		GB		Totally	5	
											Date		20180103		Voltage		400V		Frequency		50HZ
														信易電熱機械股份有限公司 Shini Plastics Technologies, Inc.							

1 2 3 4 5 6 7 8



版本	VerB	
Mark	Before modification	After modification
Modified by		
Checked by		
Proofread by		
Designer		
Drawer		
Version	C	

Title		SGF-2628E		Drawing NO		SGF-2628E-GB-400V-C-3	
Electrical Components Layout				Scale		Standard	
				Voltage		400V	
				Frequency		50HZ	
				Page		3	
				Totally		5	
				Pages		5	



1 2 3 4 5 6 7 8

1		2		3		4		5		6		7		8	
序号/No.	符号/Symbol	名称/Name	制造商/Manufacturer	型号/Type	规格/Specification	数量/Number	物料编号/Material number	备注/Remark							
1	Q1	主电源开关/Main power switch	EATON	T0-2-1/EA/SVB	20A	1	YE10021160000								
2	Q2	断路器/Circuit-breaker	TECO	BM-63C/3025S	25A	1	YE40302503000								
3	K1	接触器/Contactor	SIEMENS	3RT6017-1AB01	24VAC 50/60Hz	1	YE00601702500								
4		辅助触点/Auxiliary contact	SIEMENS	3RH6911-1AA10	1NO	1	YE00691100000								
5	K2	接触器/Contactor	SIEMENS	3RT6016-1AB01	24VAC 50/60Hz	1	YE00601602500								
6	K3	接触器/Contactor	SIEMENS	3RT6016-1AB01	24VAC 50/60Hz	1	YE00601602500	(2)							
7	K4	时间继电器/Timer relay	YUYUN	TRF-N 3M	24VAC 50/60Hz	1	YE860324.00000								
8	F1	热过载继电器/Overload relay	SIEMENS	3RU6116-1JB0	7-10A	1	YE01167100000								
9	F2	热过载继电器/Overload relay	SIEMENS	3RU6116-1BB0	1.4-2A	1	YE0116074.00000								
10	F2	热过载继电器/Overload relay	SIEMENS	3RU6116-1DB0	2.2-3.2A	1	YE01160220000	(2) 修改							
11	F3	热过载继电器/Overload relay	SIEMENS	3RU6116-0JB0	0.7-1A	1	YE01160700000	(2)							
12	FU1	熔断器/Fuse	CHNT	RT28N-32	2P	1	YE4.10322000000								
13		熔断器芯/Fuse core	CHNT	10x38 500V	2A	2	YE4.6002000100								
14	FU2	熔断器/Fuse	YINDA	FS-101	----	1	YE4.10010000000								
15		玻璃保险管/Glass Fuse	----	6x30	3A	1	YE4.6630500200								
16	A1	变频器/Inverter	ABB	ACS355-03E-01A2-4	400V 0.37KW	1	YE753554.00000								
17	T	互感器/Transformer	BAYUN	-----	IN=400V OUT=24V 80VA	1	YE7004.0005900								
18	X1	端子排/Terminal board	Honeywell	2.5mm ²	32A	23	YE60002503200								
19		端子排/Terminal board	Honeywell	2.5mm ²	32A	3	YE60002503200	(2)							
20		端子排/Terminal board	Honeywell	2.5mm ² PE	32A	4	YE60002503400								
21		端子排/Terminal board	Honeywell	2.5mm ² PE	32A	1	YE60002503400	(2)							
22	S1	急停按钮开关/Emergency stop button	SCHNEIDER	XB2BS542C	400VAC	1	YE11254200000								
23	S2	停止按钮开关/Stop button	SCHNEIDER	XB2BA22C	400VAC	1	YE11222000000								
24	S3,H1	启动按钮带灯/Start button (with light)	SCHNEIDER	XB2BW33B1C	24VAC	1	YE11233100000								
25	S4,S5	安全开关/Safety switch	SCHMERSRC	AZ152VK-14.76	AC-15	2	YE1614.7600100	(1)							
版本 VerB															
Notes: (1)Means it's not the material inside the control box. (2) Option of rotating feeding motor.															
D		Drawing No		Title		Version		C		SGF-2628E		Scale		Page 4	
				Electrical Components list 1		Approved by				SGF-2628E-GB-400V-C-4		Standard		Totally 5 Pages	
						Date		20180103				Voltage		400V	
Mark		Before modification		Modified by		Modify date						Frequency		50HZ	
1		2		3		4		5		6		7		8	



信易电热机械股份有限公司
Shini Plastics Technologies, Inc.

1	2	3	4	5	6	7	8	
序号/NO.	符号/Symbol	名称/Name	制造商/Manufacturer	型号/Type	规格/Specification	数量/Number	物料编号/Material number	备注/Remark
24	H2	频闪指示灯/Frequency display indicate lamp	SHINI	LED-3051	24VAC	1	YE83305100900	(1)
25	H3	蜂鸣器/Buzzer	TEND	EA-2	24VAC 50Hz	1	YE84240200000	
26	R	可调电位器/Adjustable potentiometer	---	LA42DWQ-22	LA42DWQ-22/10K	1	YE90422200000	
27	M1	马达/Motor	---	---	400V 50/60Hz 4.0KW	1	----	(1)
28	M2	马达/Motor	---	---	400V 50/60Hz 0.55KW	1	----	(1)
29	M2	马达/Motor	---	---	400V 50/60Hz 1.1KW	1	----	(1)(2)修改
30	M3	马达/Motor	---	---	400V 50/60Hz 0.18KW	1	----	(1)
31	M4	马达/Motor	---	---	400V 50/60Hz 0.4KW	1	----	(1)
32		终端固定件/Terminal fixed fittings	HONEYWELL	---	---	5	YE60000003900	修改
A								
B								
C								
D								
版本	VerB	Notes: (1)Means it's not the material inside the control box.						
Mark	Before modification	Modified by	Modify date	20180103				
		Checked by	Date	20180103				
		Designer	Approved by					
		Proofread by						
VerB		Version	C	Title		Scale		
		Drawer		SGF-2628E		Drawing NO		Page
				Electrical Components List 2		SGF-2628E-GB-4.00V-C-5		5
						Standard		Totally
						GB		5
						Voltage		4.00V
						Frequency		50HZ
								8



信易电热机械股份有限公司
Shini Plastics Technologies, Inc.