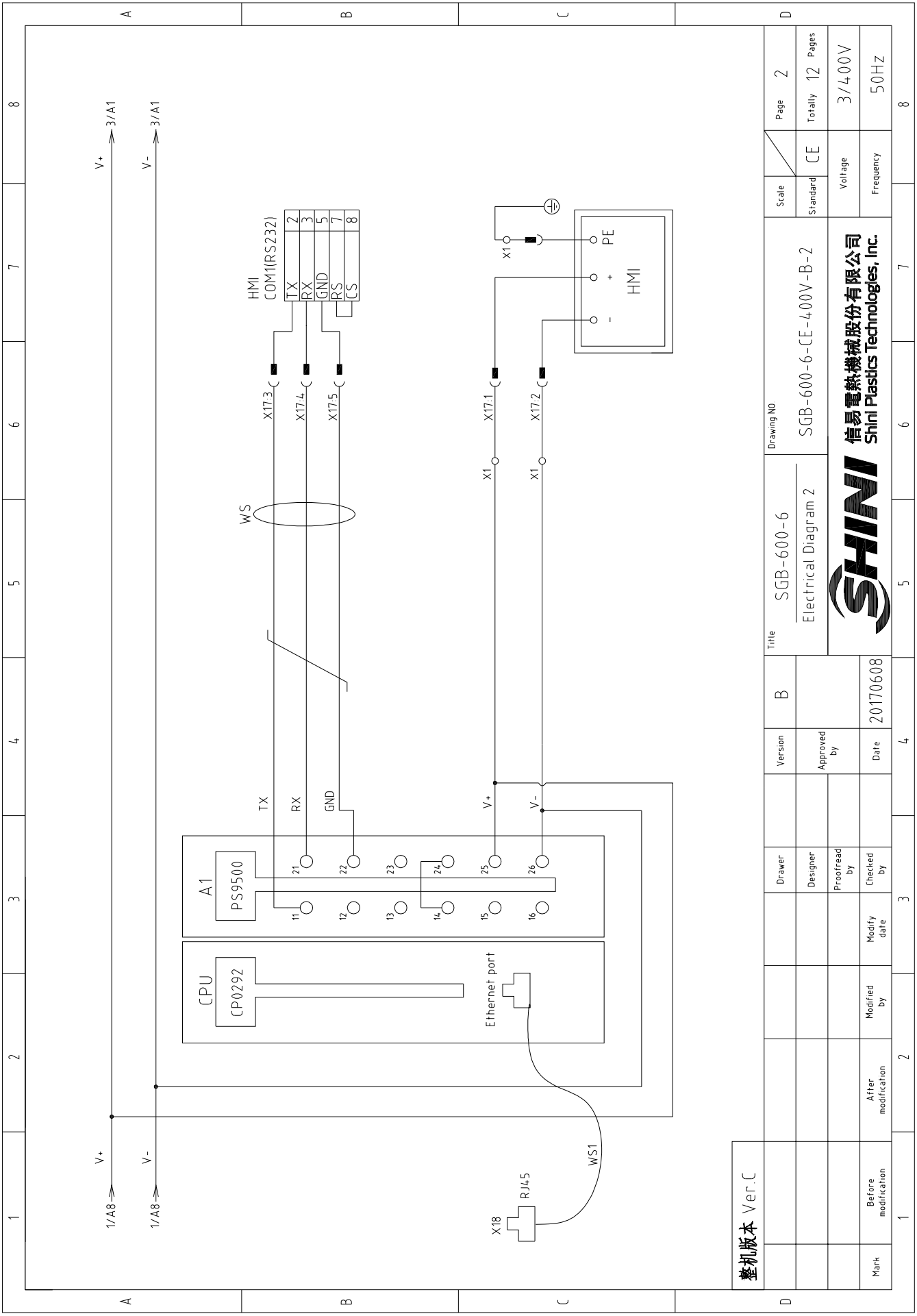


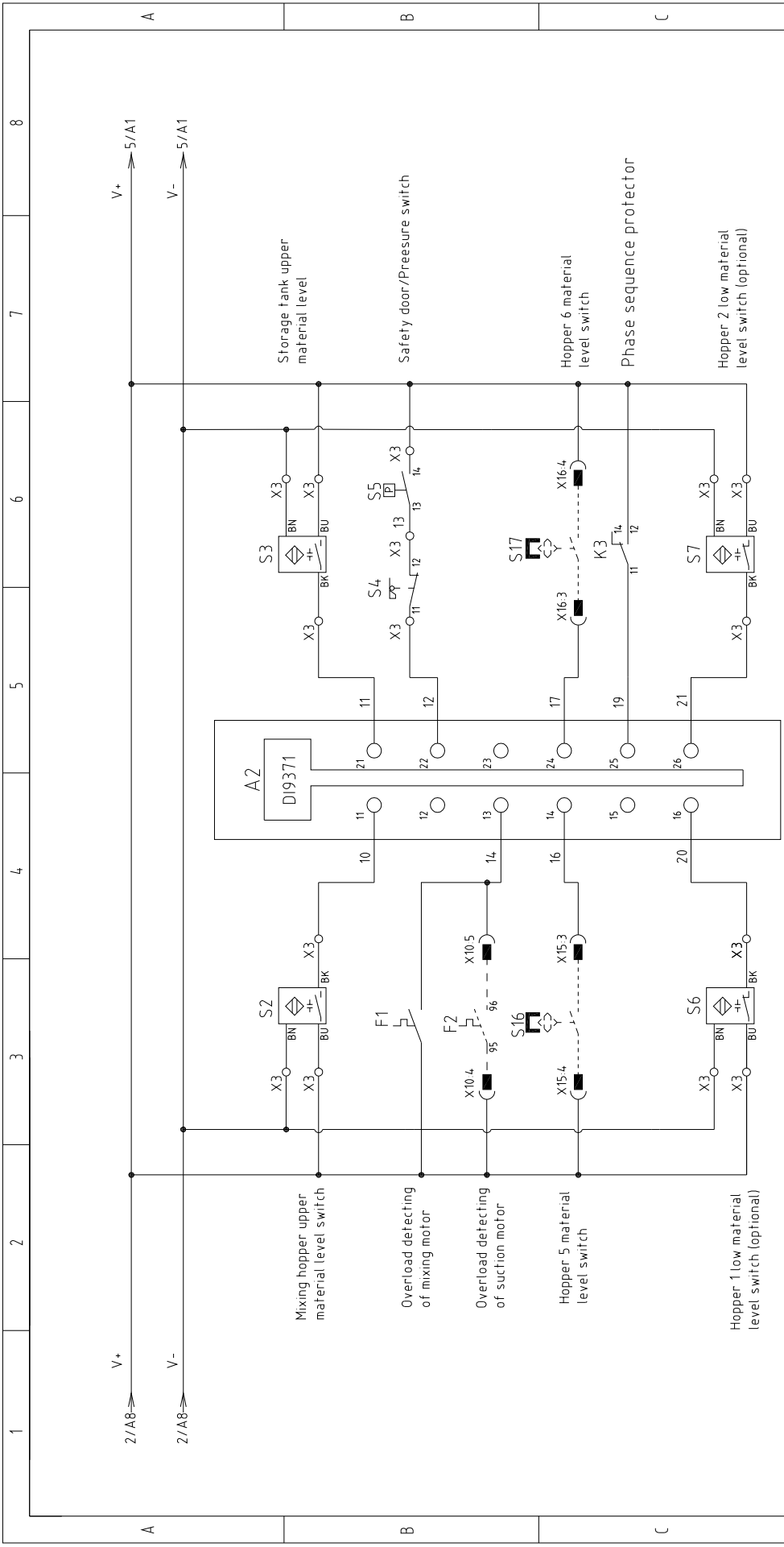
整机版本 Ver.C

D	Drawer	Version	Title		Scale	Page
	Designer	Approved by	SGB-600-6	Electrical Diagram 1	Standard	1
	Proofread by		SGB-600-6-CE-400V-B-1		Voltage	Totally
	Checked by	Date	SHINI		Frequency	12
	Modified by	20170608	信易电热机械股份有限公司		3/400V	Pages
	Modify date		Shini Plastics Technologies, Inc.		50Hz	
1	2	3	4	5	6	7
8						



整机版本 Ver.C

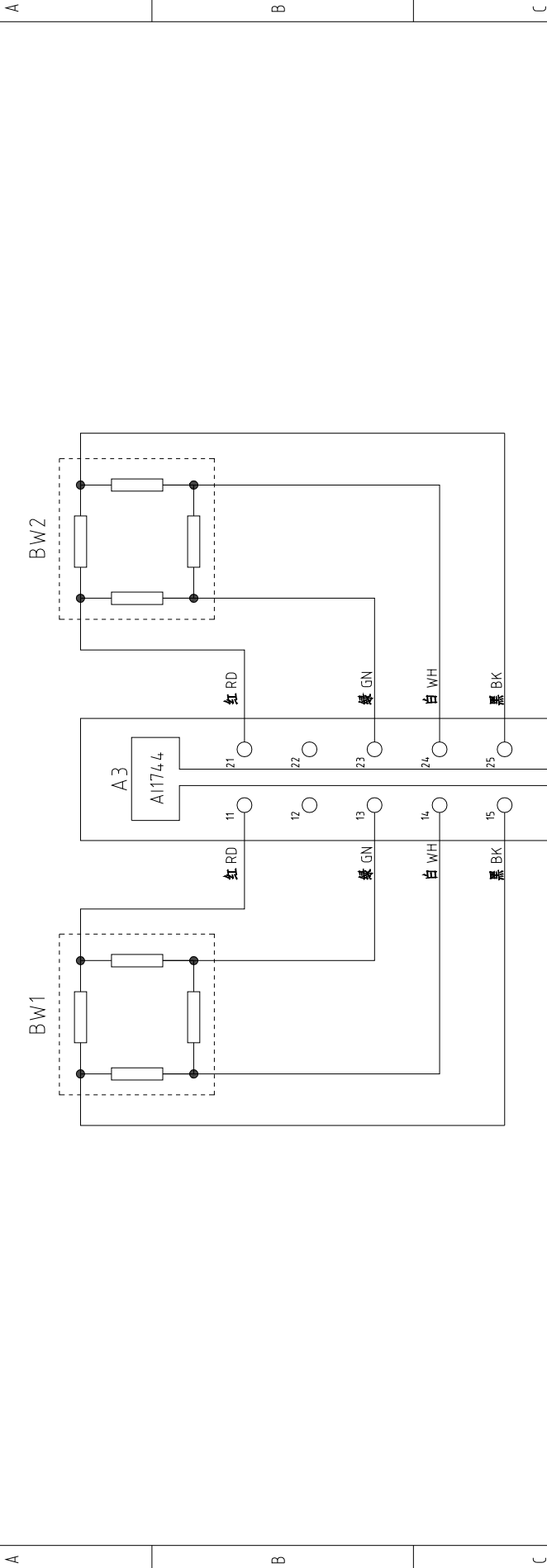
1	2	3	4	5	6	7	8
Version		Title		Drawing NO		Scale	
Approved by		SGB-600-6		SGB-600-6-CE-400V-B-2		Page 2	
Date		Electrical Diagram 2		Standard		Totally 12 Pages	
20170608		SHINI		Voltage		3/400V	
20170608		信易电热机械股份有限公司		Frequency		50HZ	
20170608		Shini Plastics Technologies, Inc.					



整机版本 Ver.C

1	2	3	4	5	6	7	8
A		B		C		D	
V+		V-		5/A1		5/A1	
Storage tank upper material level		Safety door/Pressure switch		Hopper 6 material level switch		Phase sequence protector	
Mixing hopper upper material level switch		Overload detecting of mixing motor		Overload detecting of suction motor		Hopper 1 low material level switch (optional)	
Hopper 5 material level switch		Hopper 6 material level switch		Phase sequence protector		Hopper 2 low material level switch (optional)	
A2		DI9371		SGB-600-6		Electrical Diagram 3	
S2		S3		S4		S5	
F1		F2		S16		S17	
X10.4		X10.5		X15.4		X15.3	
X16.3		X16.4		K3		S6	
X3		X3		X3		X3	
BN		BU		BK		BN	
BU		BK		BN		BU	
BK		BN		BU		BK	
BN		BU		BK		BN	
BU		BK		BN		BU	
BK		BN		BU		BK	
BN		BU		BK		BN	
BU		BK		BN		BU	
BK		BN		BU		BK	
BN		BU		BK		BN	
BU		BK		BN		BU	
BK		BN		BU		BK	
BN		BU		BK		BN	
BU		BK		BN		BU	
BK		BN		BU		BK	
BN		BU		BK		BN	
BU		BK		BN		BU	
BK		BN		BU		BK	
BN		BU		BK		BN	
BU		BK		BN		BU	
BK		BN		BU		BK	
BN		BU		BK		BN	
BU		BK		BN		BU	
BK		BN		BU		BK	
BN		BU		BK		BN	
BU		BK		BN		BU	
BK		BN		BU		BK	
BN		BU		BK		BN	
BU		BK		BN		BU	
BK		BN		BU		BK	
BN		BU		BK		BN	
BU		BK		BN		BU	
BK		BN		BU		BK	
BN		BU		BK		BN	
BU		BK		BN		BU	
BK		BN		BU		BK	
BN		BU		BK		BN	
BU		BK		BN		BU	
BK		BN		BU		BK	
BN		BU		BK		BN	
BU		BK		BN		BU	
BK		BN		BU		BK	
BN		BU		BK		BN	
BU		BK		BN		BU	
BK		BN		BU		BK	
BN		BU		BK		BN	
BU		BK		BN		BU	
BK		BN		BU		BK	
BN		BU		BK		BN	
BU		BK		BN		BU	
BK		BN		BU		BK	
BN		BU		BK		BN	
BU		BK		BN		BU	
BK		BN		BU		BK	
BN		BU		BK		BN	
BU		BK		BN		BU	
BK		BN		BU		BK	
BN		BU		BK		BN	
BU		BK		BN		BU	
BK		BN		BU		BK	
BN		BU		BK		BN	
BU		BK		BN		BU	
BK		BN		BU		BK	
BN		BU		BK		BN	
BU		BK		BN		BU	
BK		BN		BU		BK	
BN		BU		BK		BN	
BU		BK		BN		BU	
BK		BN		BU		BK	
BN		BU		BK		BN	
BU		BK		BN		BU	
BK		BN		BU		BK	
BN		BU		BK		BN	
BU		BK		BN		BU	
BK		BN		BU		BK	
BN		BU		BK		BN	
BU		BK		BN		BU	
BK		BN		BU		BK	
BN		BU		BK		BN	
BU		BK		BN		BU	
BK		BN		BU		BK	
BN		BU		BK		BN	
BU		BK		BN		BU	
BK		BN		BU		BK	
BN		BU		BK		BN	
BU		BK		BN		BU	
BK		BN		BU		BK	
BN		BU		BK		BN	
BU		BK		BN		BU	
BK		BN		BU		BK	
BN		BU		BK		BN	
BU		BK		BN		BU	
BK		BN		BU		BK	
BN		BU		BK		BN	
BU		BK		BN		BU	
BK		BN		BU		BK	
BN		BU		BK		BN	
BU		BK		BN		BU	
BK		BN		BU		BK	
BN		BU		BK		BN	
BU		BK		BN		BU	
BK		BN		BU		BK	
BN		BU		BK		BN	
BU		BK		BN		BU	
BK		BN		BU		BK	
BN		BU		BK		BN	
BU		BK		BN		BU	
BK		BN		BU		BK	
BN		BU		BK		BN	
BU		BK		BN		BU	
BK		BN		BU		BK	
BN		BU		BK		BN	
BU		BK		BN		BU	
BK		BN		BU		BK	
BN		BU		BK		BN	
BU		BK		BN		BU	
BK		BN		BU		BK	
BN		BU		BK		BN	
BU		BK		BN		BU	
BK		BN		BU		BK	
BN		BU		BK		BN	
BU		BK		BN		BU	
BK		BN		BU		BK	
BN		BU		BK		BN	
BU		BK		BN		BU	
BK		BN		BU		BK	
BN		BU		BK		BN	
BU		BK		BN		BU	
BK		BN		BU		BK	
BN		BU		BK		BN	
BU		BK		BN		BU	
BK		BN		BU		BK	
BN		BU		BK		BN	
BU		BK		BN		BU	
BK		BN		BU		BK	
BN		BU		BK		BN	
BU		BK		BN		BU	
BK		BN		BU		BK	
BN		BU		BK		BN	
BU		BK		BN		BU	
BK		BN		BU		BK	
BN		BU		BK		BN	
BU		BK		BN		BU	
BK		BN		BU		BK	
BN		BU		BK		BN	
BU		BK		BN		BU	
BK		BN		BU		BK	
BN		BU		BK		BN	
BU		BK		BN		BU	
BK		BN		BU		BK	
BN		BU		BK		BN	
BU		BK		BN		BU	
BK		BN		BU		BK	
BN		BU		BK		BN	
BU		BK		BN		BU	
BK		BN		BU		BK	
BN		BU		BK		BN	
BU		BK		BN		BU	
BK		BN		BU		BK	
BN		BU		BK		BN	
BU		BK		BN		BU	
BK		BN		BU		BK	
BN		BU		BK		BN	
BU		BK		BN		BU	
BK		BN		BU		BK	
BN		BU		BK		BN	
BU		BK		BN		BU	
BK		BN		BU		BK	
BN		BU		BK		BN	
BU		BK		BN		BU	
BK		BN		BU		BK	
BN		BU		BK		BN	
BU		BK		BN		BU	
BK		BN		BU		BK	
BN		BU		BK		BN	
BU		BK		BN		BU	
BK		BN		BU		BK	
BN		BU		BK		BN	
BU		BK		BN		BU	
BK		BN		BU		BK	
BN		BU		BK		BN	
BU		BK		BN		BU	
BK		BN		BU		BK	
BN		BU		BK		BN	
BU		BK		BN		BU	
BK		BN		BU		BK	
BN		BU		BK		BN	
BU		BK		BN		BU	
BK		BN		BU		BK	
BN		BU		BK		BN	
BU		BK		BN		BU	
BK		BN		BU		BK	
BN		BU		BK		BN	
BU		BK		BN		BU	
BK		BN		BU		BK	
BN		BU		BK		BN	
BU		BK		BN		BU	
BK		BN		BU		BK	
BN		BU		BK		BN	
BU		BK		BN		BU	
BK		BN		BU		BK	
BN		BU		BK		BN	
BU		BK		BN		BU	
BK		BN		BU		BK	
BN		BU		BK		BN	
BU		BK		BN		BU	
BK		BN		BU		BK	
BN		BU		BK		BN	
BU		BK		BN		BU	
BK		BN		BU		BK	
BN		BU		BK		BN	
BU		BK		BN		BU	
BK		BN		BU		BK	
BN		BU		BK		BN	
BU		BK		BN		BU	
BK		BN		BU		BK	
BN		BU		BK		BN	
BU		BK		BN		BU	
BK		BN		BU		BK	
BN		BU		BK		BN	
BU		BK		BN		BU	
BK		BN		BU		BK	
BN		BU		BK		BN	
BU		BK		BN		BU	
BK		BN		BU		BK	
BN		BU		BK		BN	
BU		BK		BN		BU	
BK		BN		BU		BK	
BN		BU		BK		BN	
BU		BK		BN		BU	
BK		BN		BU		BK	
BN		BU		BK		BN	
BU		BK		BN		BU	
BK		BN		BU		BK	
BN		BU		BK		BN	
BU		BK		BN			

1 2 3 4 5 6 7 8

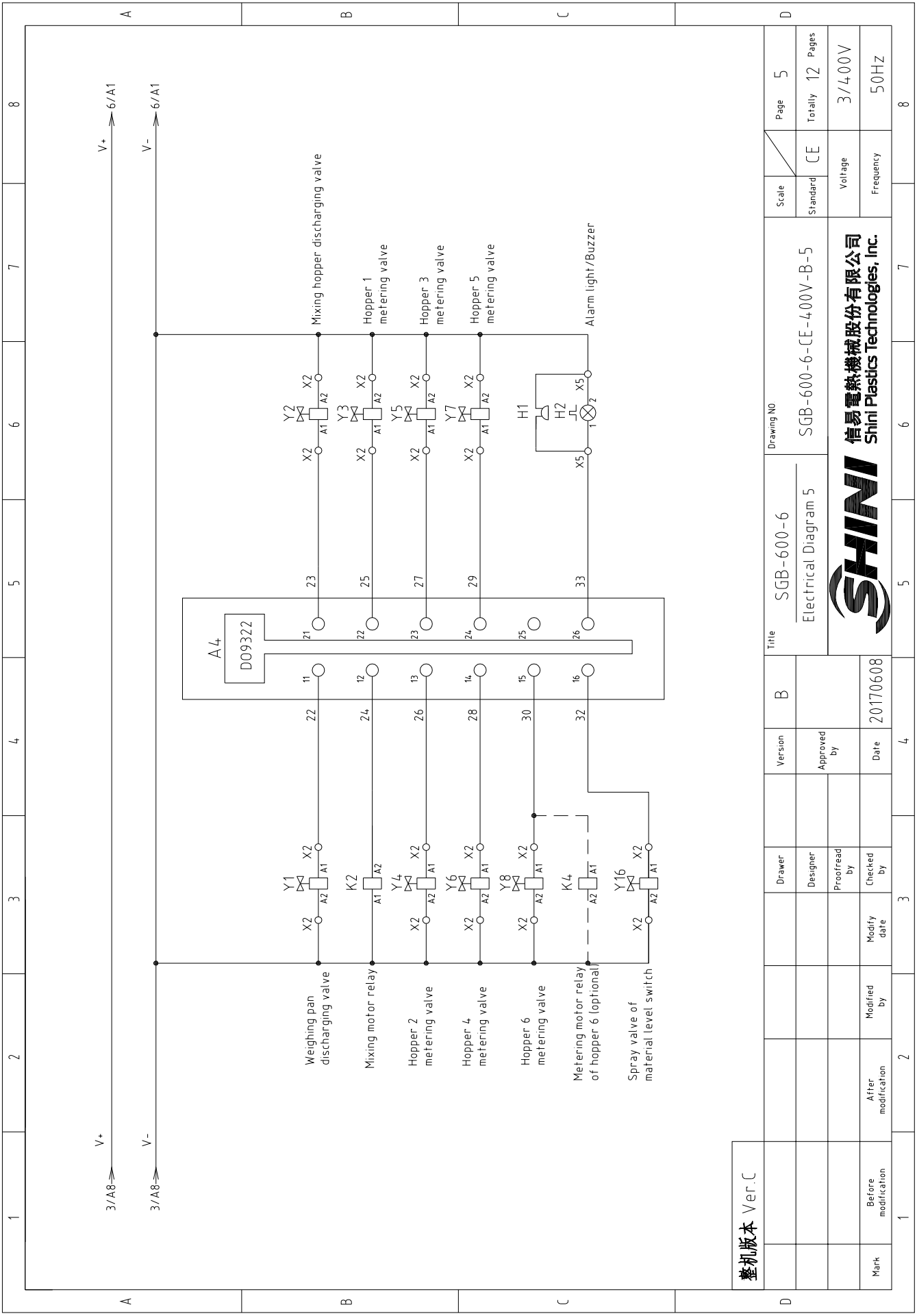


整机版本 Ver.C

Mark	Before modification	Modified by	Modify date	Checked by	Date	20170608
				Proofread by	Approved by	
				Designer	Version	B
				Drawer	Title SGB-600-6	

Scale		Standard	CE	Page 4
Voltage				
Frequency		3/400V		50HZ
Drawing NO		SGB-600-6-CE-400V-B-4		
Title		Electrical Diagram 4		
SHINI		信易电热机械股份有限公司 Shini Plastics Technologies, Inc.		

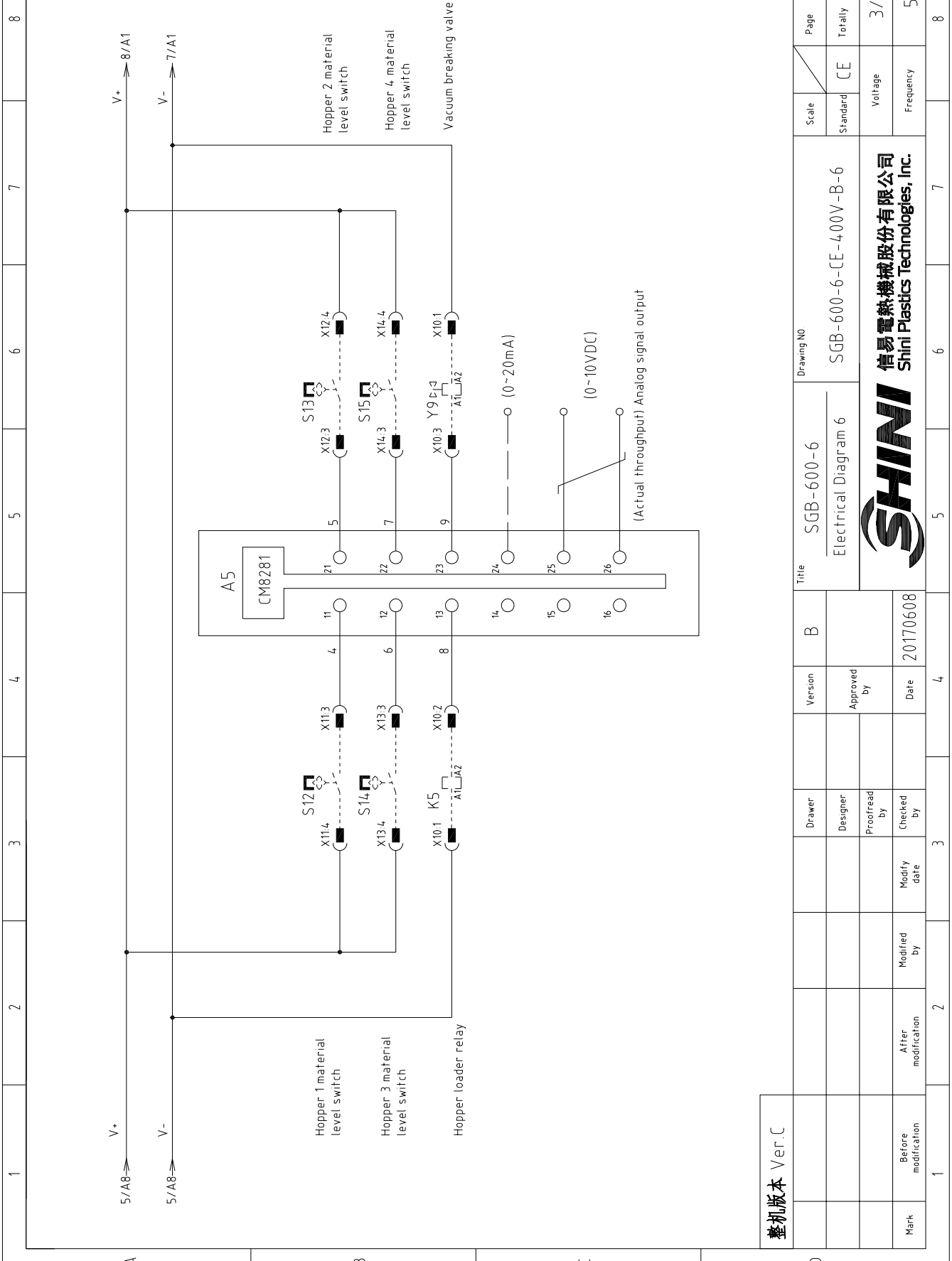
1 2 3 4 5 6 7 8



整机版本 Ver.C

D	Scale	Page	5
		Standard	CE
Title	Drawing NO	SGB-600-6	
		Electrical Diagram 5	
Version	Approved by	SGB-600-6-CE-400V-B-5	
		Date	
Drawer	Designer	Proofread by	Checked by
20170608			
Mark	Before modification	After modification	
Total		Page	5
Standard		Voltage	3/400V
Frequency		Frequency	50HZ
Title		SGB-600-6	
Drawing NO		SGB-600-6-CE-400V-B-5	
Version		Approved by	
Drawer		Designer	
Proofread by		Checked by	
Modify date		Modified by	
20170608			
2		4	
3		5	
4		6	
5		7	
6		8	
7		8	
8		8	

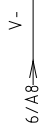




整机版本 Ver.C

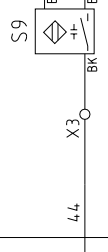
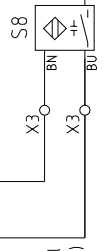
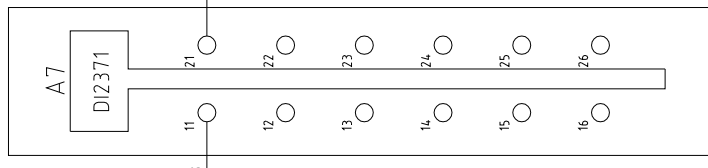
D	Scale	CE	Page	6	
	Standard	CE	Totally	12 Pages	
D	Title		SGB-600-6		
	Drawing NO		SGB-600-6-CE-400V-B-6		
D	Title		Electrical Diagram 6		
	Version		Approved by		
D	Designer		Date		
	Proofread by		20170608		
D	Checked by		Date		
	Modified by		Date		
D	After modification		Date		
	Before modification		Date		
Mark		Date		Date	





D	整機版本 Ver.C		Title	SGB-600-6		Drawing NO	SGB-600-6-CE-400V-B-7		Scale	Page 7	
	Electrical Diagram 7			SGB-600-6-CE-400V-B-7			Standard CE			Totally 12 Pages	
			Version	B			SHINI		Voltage		3/400V
			Designer	Approved by			信易電熱機械股份有限公司		Frequency		50HZ
			Proofread by	Date			SHINI				
Mark	Before modification	Modified by	Modify date	20170608			Shini Plastics Technologies, Inc.				
							5	6	7	8	

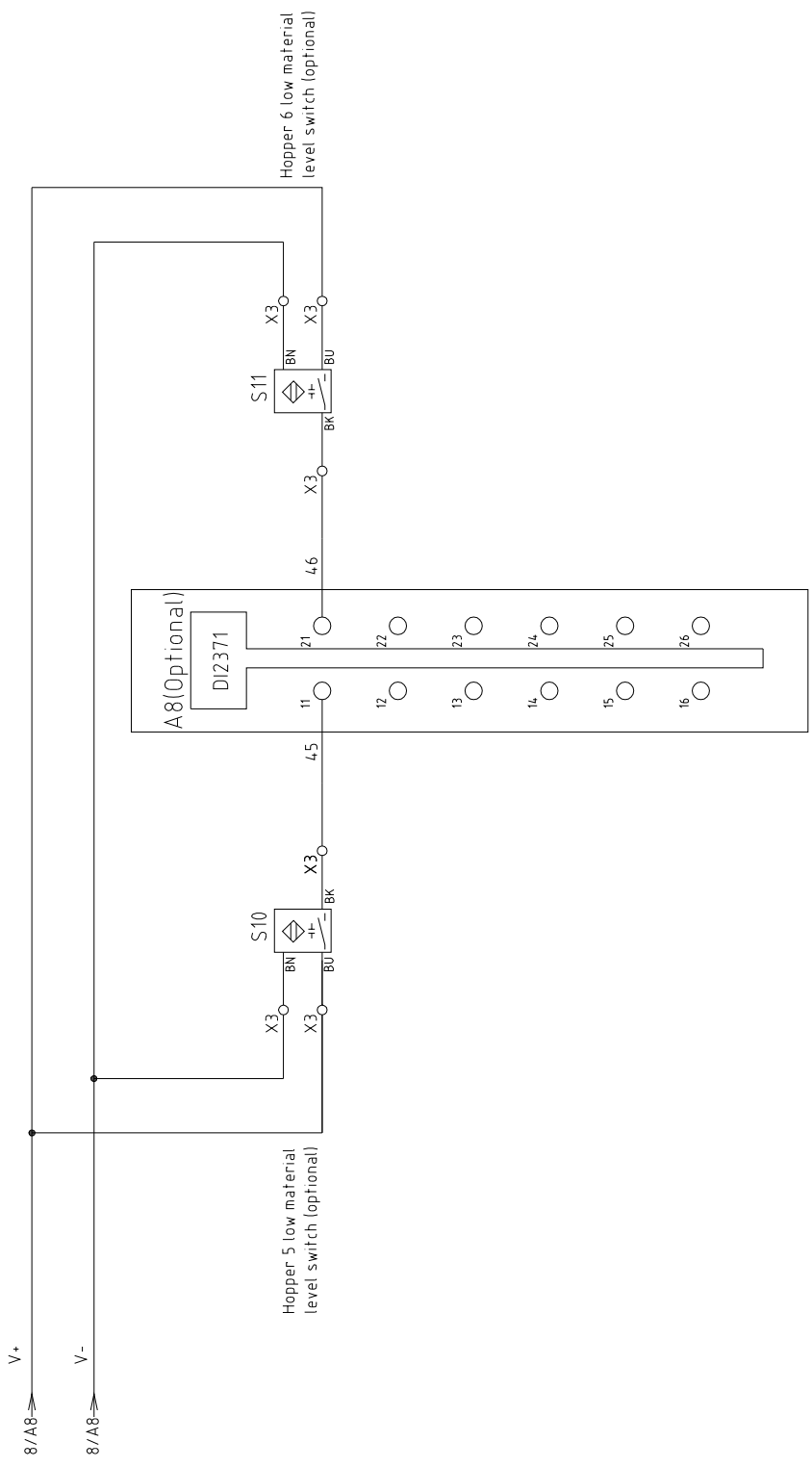
1 2 3 4 5 6 7 8



整机版本 Ver.C

D	Scale	Page	8
		Standard	CE
D	Drawing NO	Totally	12 Pages
		Standard	CE
D	Title	Voltage	3/400V
		Frequency	50HZ
SGB-600-6		SGB-600-6-CE-400V-B-8	
Electrical Diagram 8		SHINI 信易電熱機械股份有限公司 Shini Plastics Technologies, Inc.	
Version	B	Date	20170608
Approved by			
Drawer		Modified by	
Designer		Modify date	
Proofread by			
Checked by			
1	2	3	4
5	6	7	8

1 2 3 4 5 6 7 8



整机版本 Ver.C

D	Scale	Page 9	
		Standard	CE
Title		Drawing NO	
SGB-600-6		SGB-600-6-CE-400V-B-9	
Electrical Diagram 9		Voltage	
SHINI		Frequency	
信易电热机械股份有限公司		3/400V	
Shini Plastics Technologies, Inc.		50HZ	
Version		Totally 12 Pages	
Approved by		Voltage	
Date		Frequency	
20170608		3/400V	
Mark		50HZ	
Before modification		Totally 12 Pages	
After modification		Voltage	
Modified by		Frequency	
Modify date		3/400V	
Checked by		50HZ	
Proofread by		Totally 12 Pages	
Designer		Voltage	
Drawer		Frequency	
1		3/400V	
2		50HZ	
3		Totally 12 Pages	
4		Voltage	
5		Frequency	
6		3/400V	
7		50HZ	
8		Totally 12 Pages	

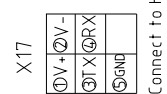
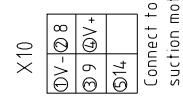
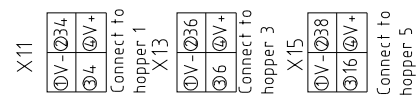
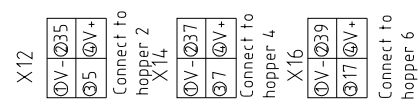
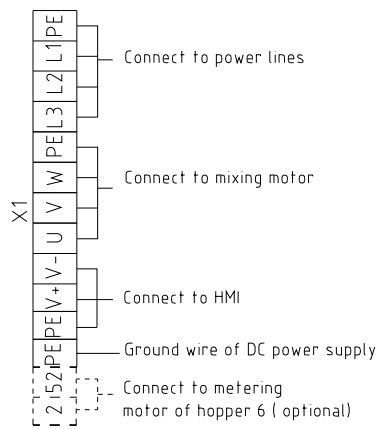
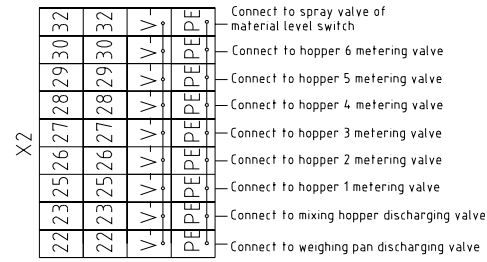
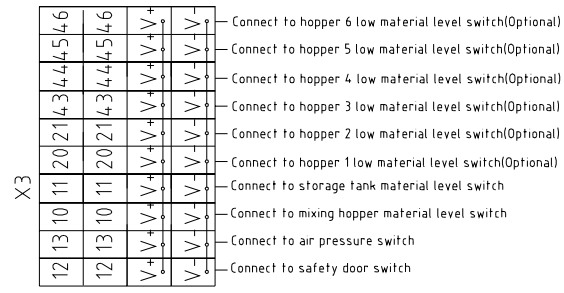
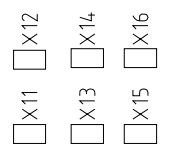
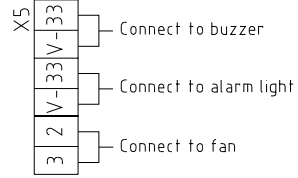
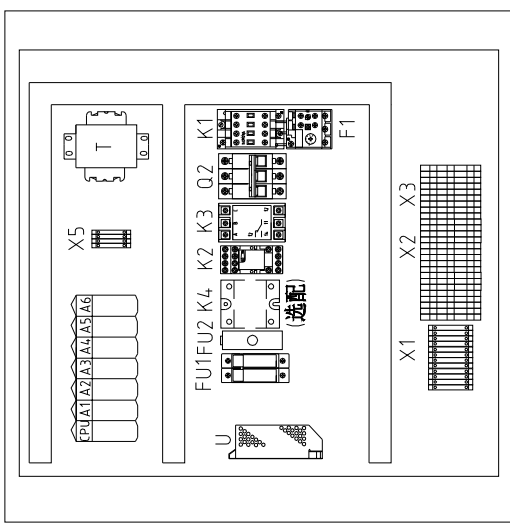
1 2 3 4 5 6 7 8

A

B

C

D

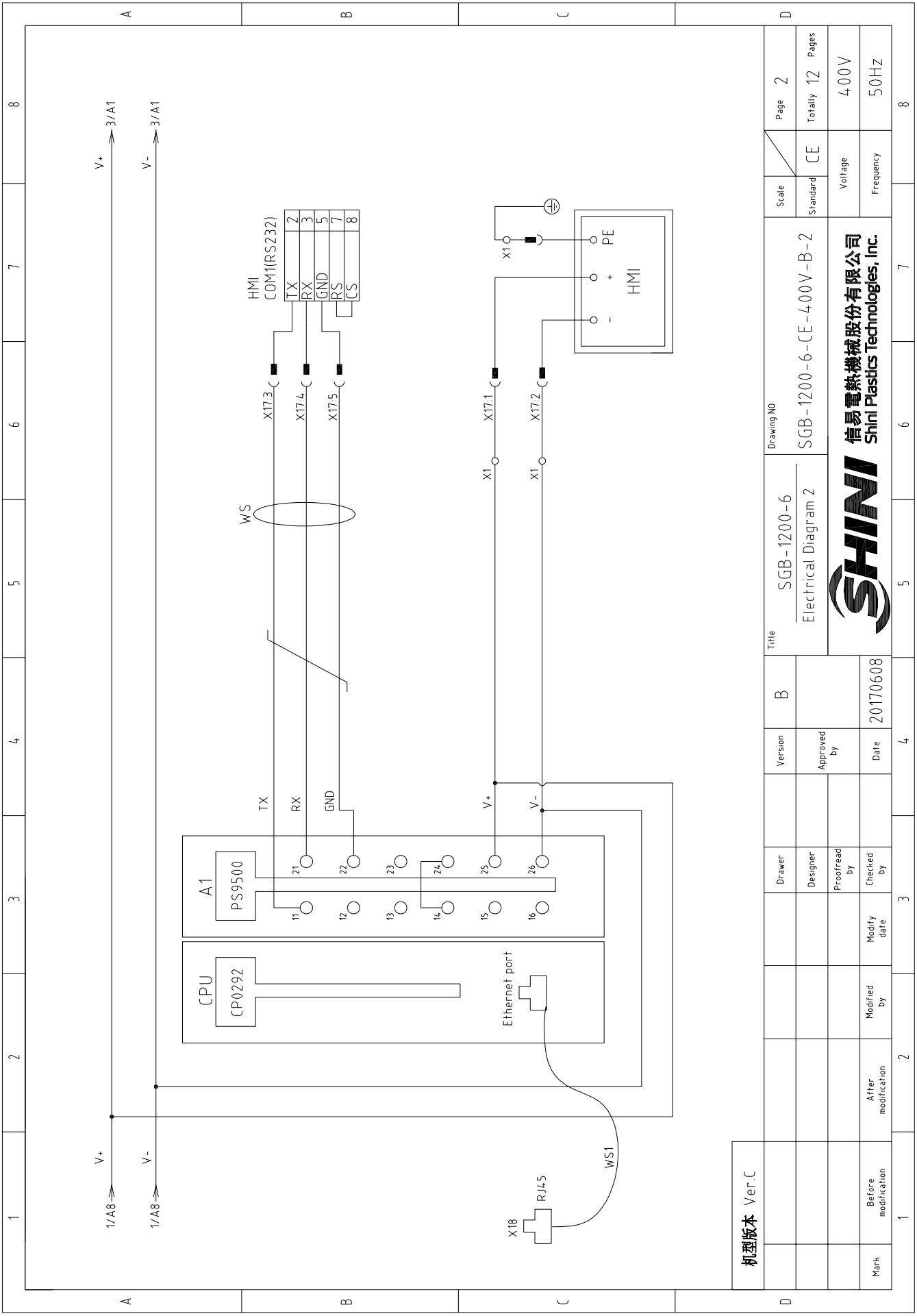


整机版本 Ver.C

Scale	Standard	Page	10
Standard	CE	Totally	12 Pages
Voltage		3/400V	
Frequency		50HZ	
Drawing NO	SGB-600-6-CE-400V-B-10		
Title	SGB-600-6 Electrical Components Layout		
Version	B	Approved By	
Designer		Date	20170608
Proofread by		Modify date	
Checked by		Modified by	
Mark	Before modification	After modification	



1 2 3 4 5 6 7 8



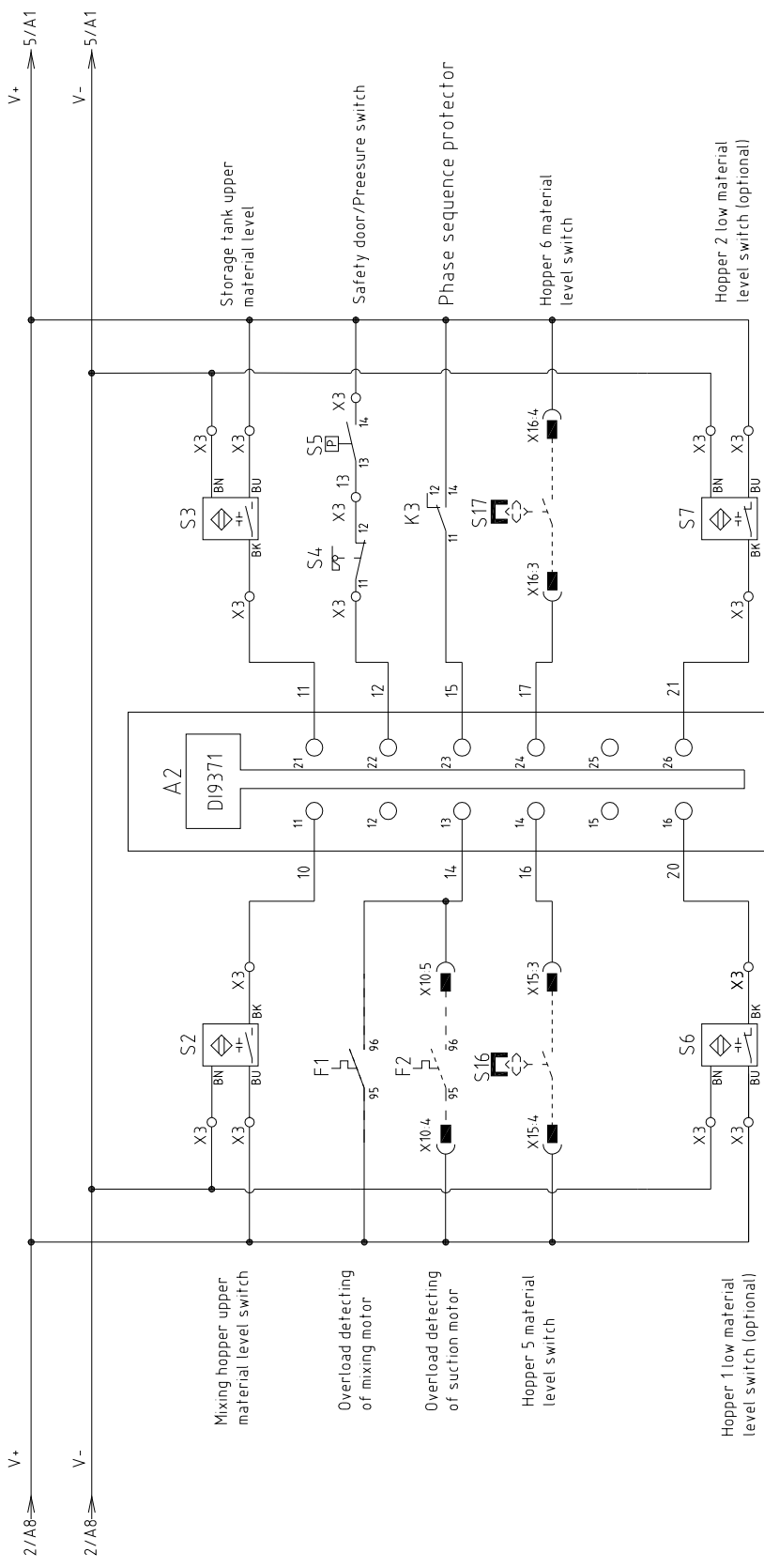
机型版本	Ver.C
Mark	Before modification
Modified by	
Modify date	
Checked by	
Proofread by	
Designer	
Drawer	
Version	
Approved by	
Date	20170608

Title		SGB-1200-6	
Electrical Diagram 2		Drawing NO	
SGB-1200-6-CE-400V-B-2		Standard	
Voltage		400V	
Frequency		50HZ	
Scale		CE	
Page		2	
Totally		12 Pages	

1	2	3	4	5	6	7	8
---	---	---	---	---	---	---	---



信易电热机械股份有限公司
Shini Plastics Technologies, Inc.

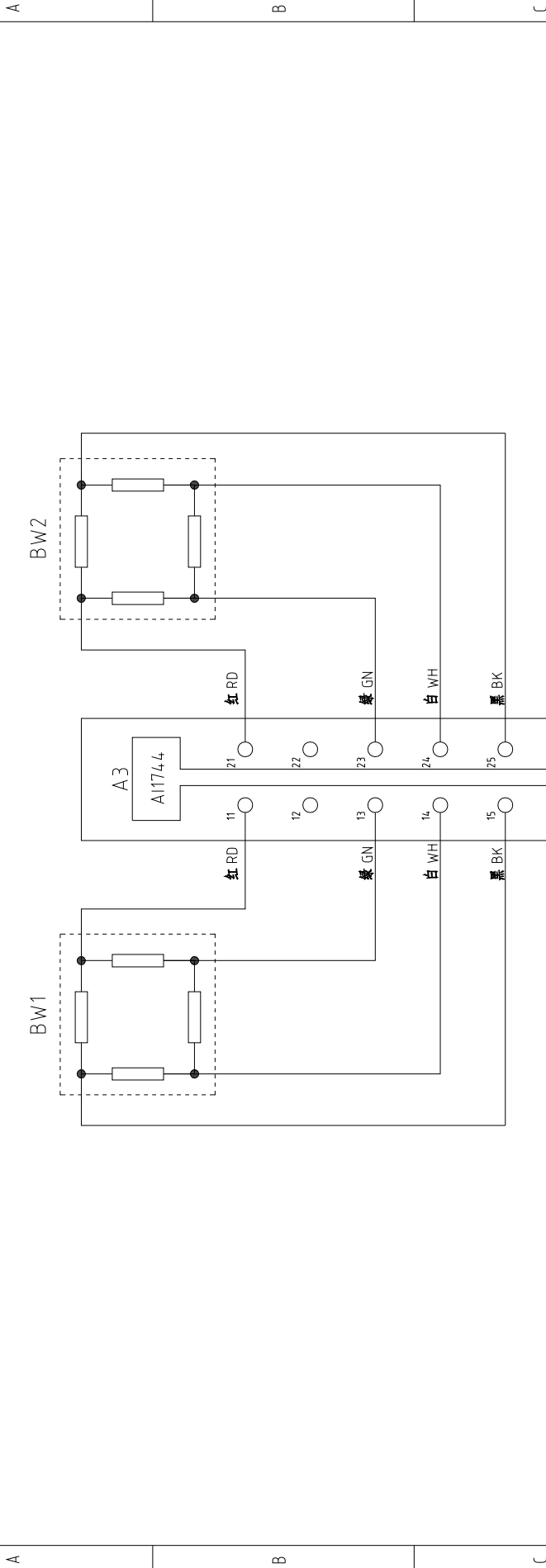


机型版本	Ver.C
Mark	Before modification
	After modification
	Modify date
	Checked by
	Proofread by
	Designer
	Drawer
	Version
	Approved by
	Date
	20170608

Title		SGB-1200-6		Drawing NO		SGB-1200-6-CE-400V-B-3	
Electrical Diagram 3							
SHINI		信易电热机械股份有限公司		Shini Plastics Technologies, Inc.			

Scale	Standard	CE	Page	3	
Voltage	400V	Frequency	50HZ	Totally	12
Pages		8			

1 2 3 4 5 6 7 8



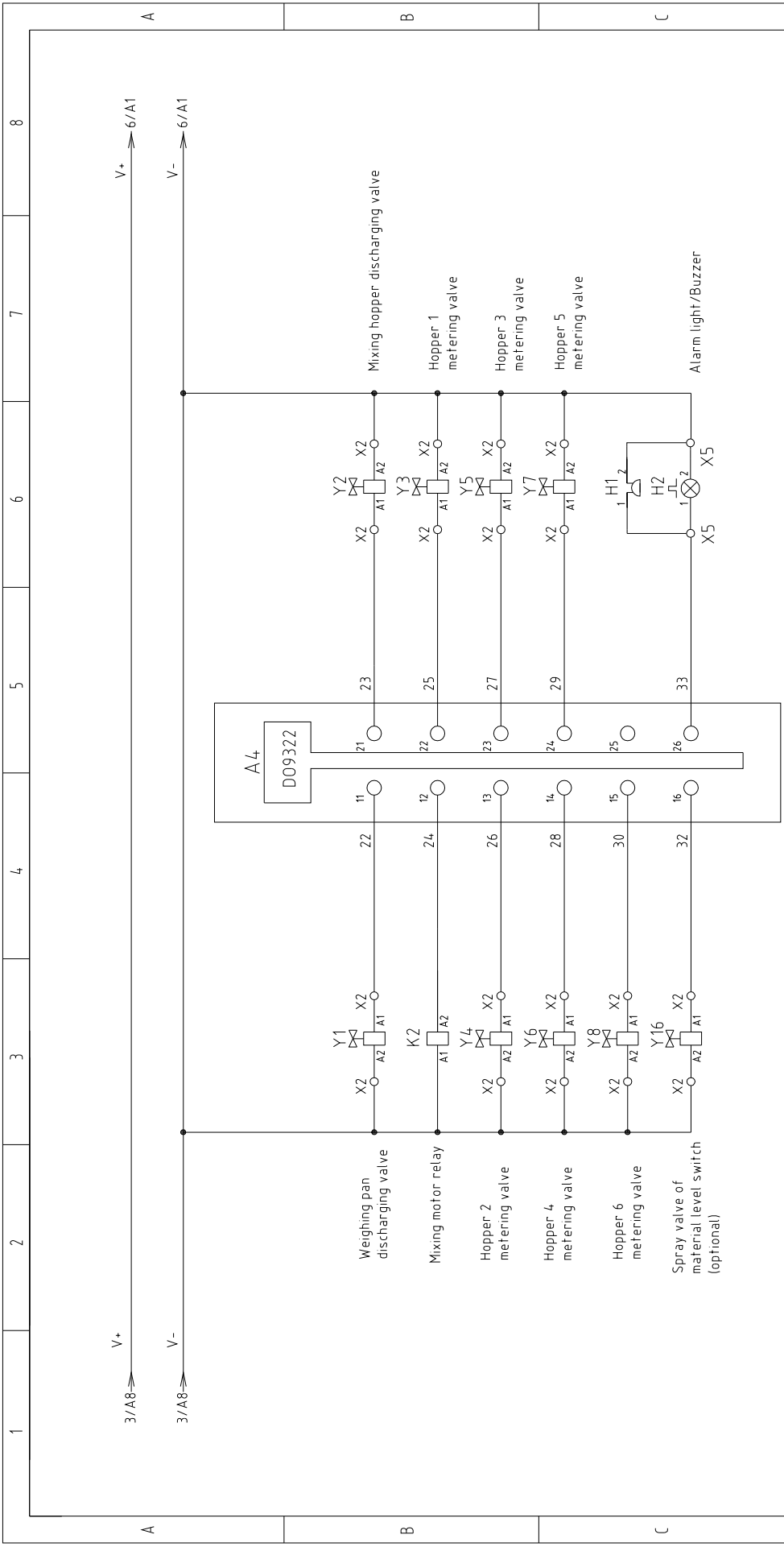
机型版本	Ver.C
Mark	Before modification
	After modification
	Modified by
	Modify date
	Checked by
	Proofread by
	Designer
	Drawer

Version	B
Approved by	
Date	20170608

Title		Drawing NO	
SGB-1200-6		SGB-1200-6-CE-400V-B-4	
Electrical Diagram 4		Standard	CE
		Voltage	400V
		Frequency	50HZ
		Page	4
		Totally	12 Pages

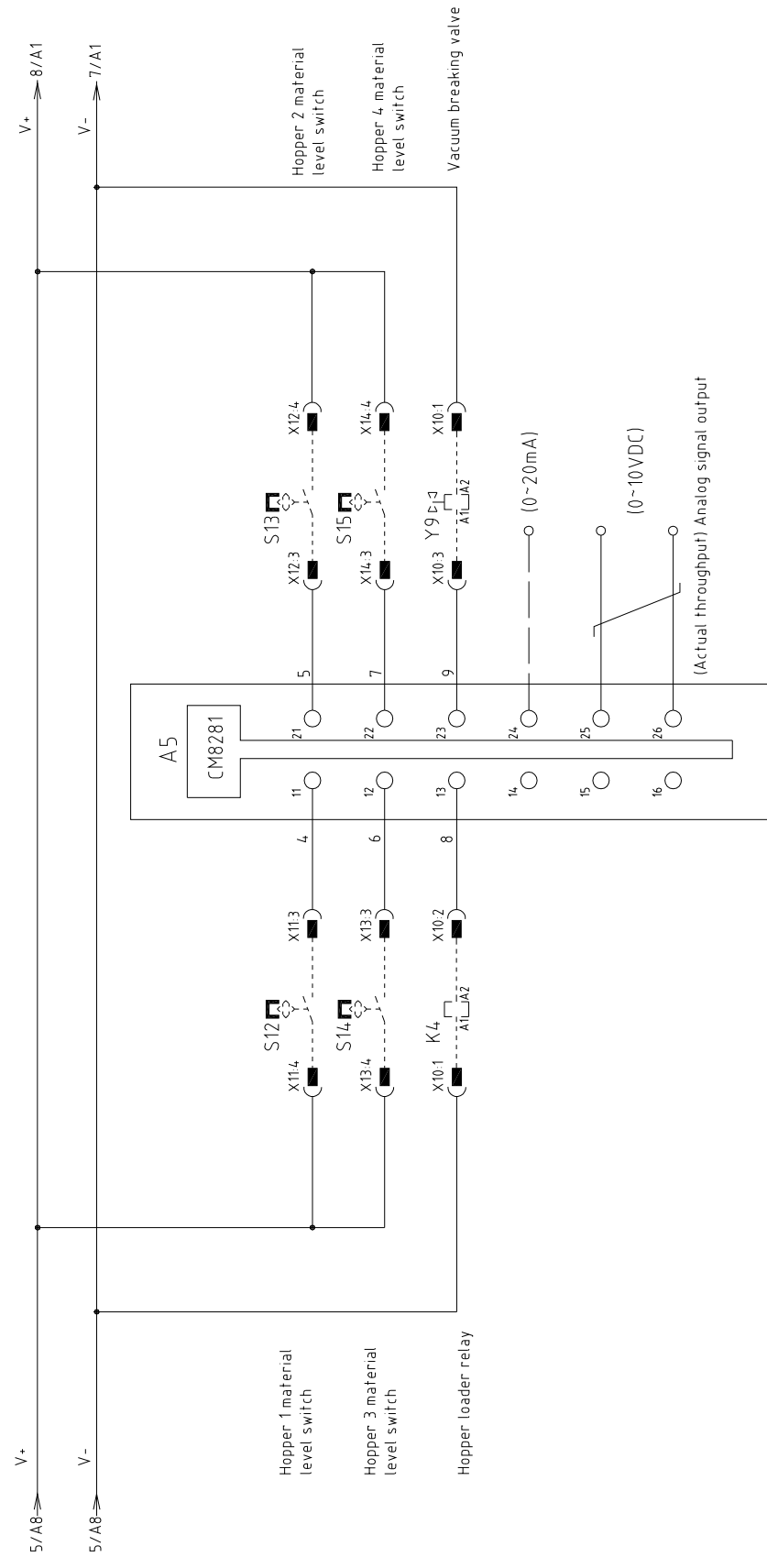


1 2 3 4 5 6 7 8



机型版本 Ver.C		Title		Drawing NO		Scale		Page	
		SGB-1200-6		SGB-1200-6-CE-400V-B-5		CE		5	
		Electrical Diagram 5				Voltage		Totally 12 Pages	
						Frequency		400V	
								50HZ	
		Version		Date					
		Approved by		20170608					
		Designer		Checked by					
		Proofread by		Modify date					
		After modification		Modified by					
Mark		Before modification		Date					
1		2		3		4		5	
6		7		8		9		10	
11		12		13		14		15	
16		17		18		19		20	
21		22		23		24		25	
26		27		28		29		30	
31		32		33		34		35	
36		37		38		39		40	
41		42		43		44		45	
46		47		48		49		50	
51		52		53		54		55	
56		57		58		59		60	
61		62		63		64		65	
66		67		68		69		70	
71		72		73		74		75	
76		77		78		79		80	
81		82		83		84		85	
86		87		88		89		90	
91		92		93		94		95	
96		97		98		99		100	





机型版本	Ver.C
Mark	Before modification
	After modification
	Modified by
	Modify date
	Checked by
	Proofread by
	Designer
	Drawer
	Version
	Approved by
	Date
	20170608

Title		SGB-1200-6		Drawing NO		SGB-1200-6-CE-400V-B-6	
Electrical Diagram 6		Scale		Standard		CE	
Page 6		Voltage		Frequency		400V	
Totally 12 Pages		Frequency		Voltage		50HZ	

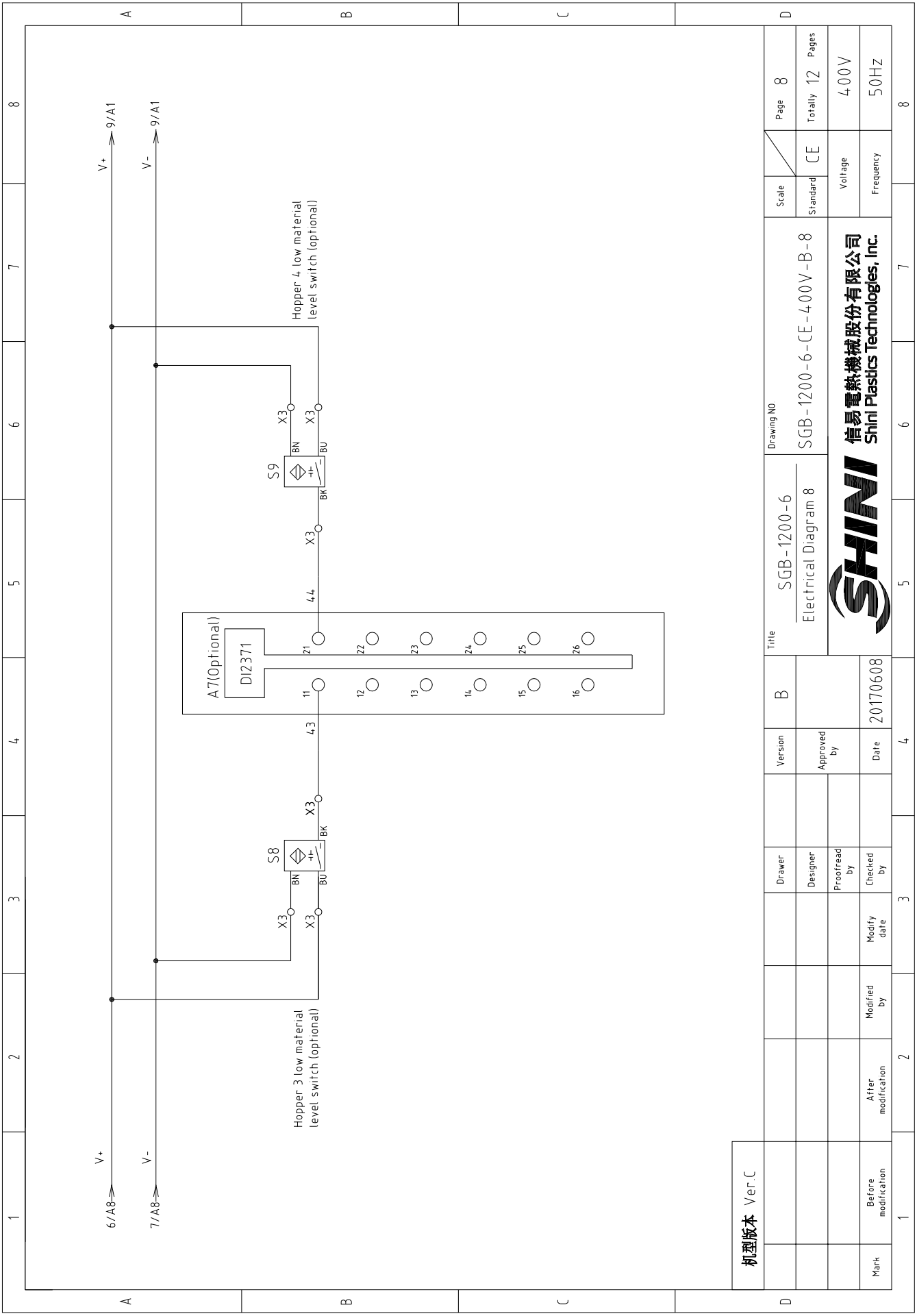




机型版本	Ver.C
Mark	Before modification
	After modification
	Modified by
	Modify date
	Checked by
	Proofread by
	Designer
	Drawer
	Approved by
	Version
	B

Title		SGB-1200-6		Drawing NO	
		Electrical Diagram 7		SGB-1200-6-CE-400V-B-7	
		SHINI		信易电热机械股份有限公司 Shini Plastics Technologies, Inc.	
		Date		20170608	
		Date		20170608	

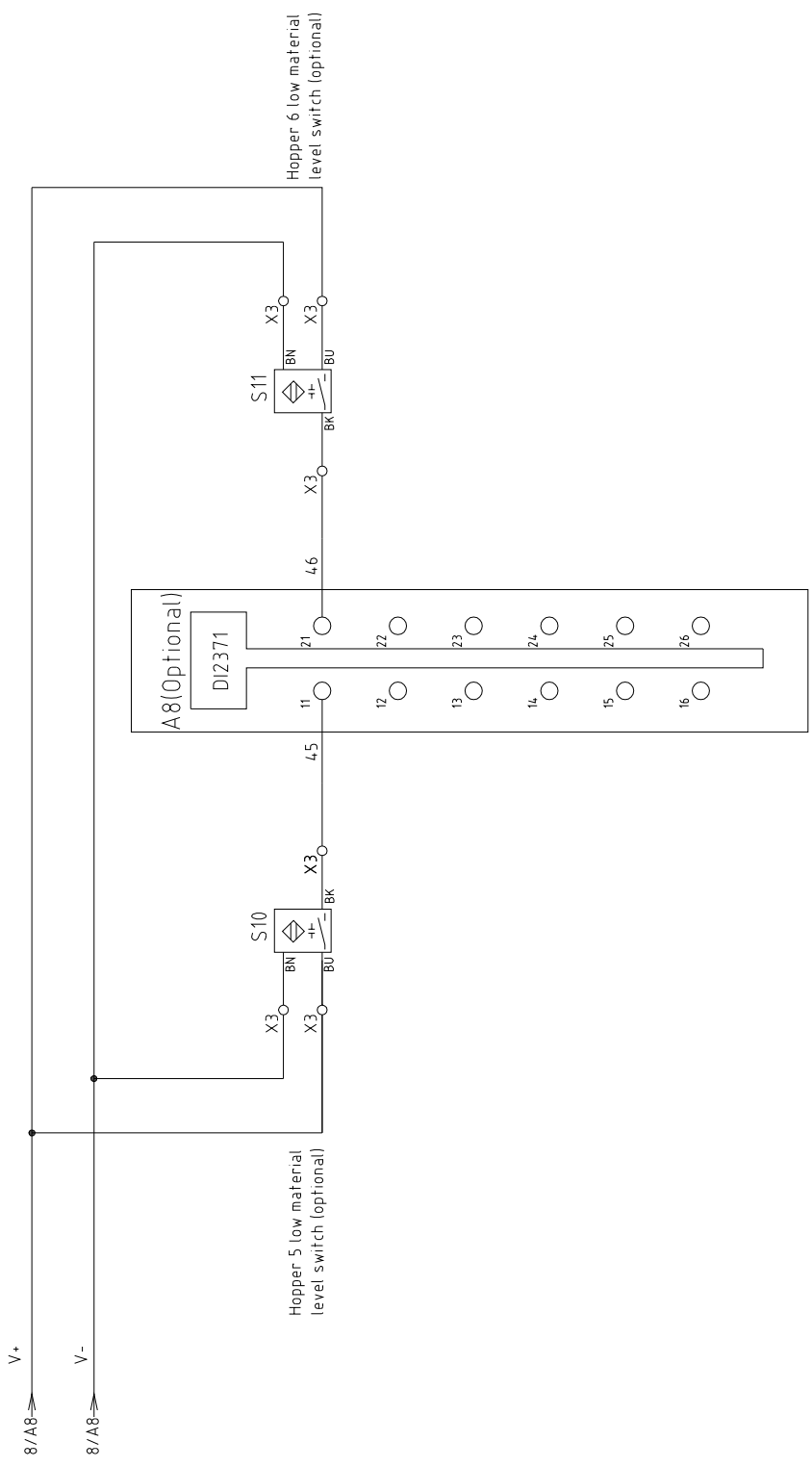
Scale		Page 7	
Standard		CE	
Voltage		400V	
Frequency		50HZ	
Totally		12 Pages	



机型版本	Ver.C
Mark	Before modification
	Modified by
	Modify date
	Checked by
	Proofread by
	Designer
	Drawer
Version	B
Approved by	
Date	20170608

Scale	Standard	CE	Page	8
	Voltage	400V	Totally	12 Pages
Frequency		50HZ		
Drawing NO		SGB-1200-6-CE-400V-B-8		
Title		SGB-1200-6 Electrical Diagram 8		
SHINI		信易電熱機械股份有限公司 Shini Plastics Technologies, Inc.		

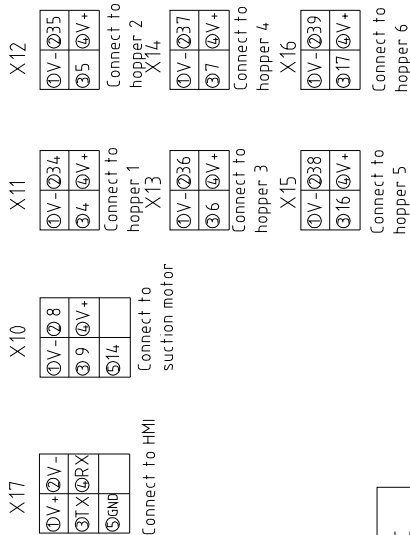
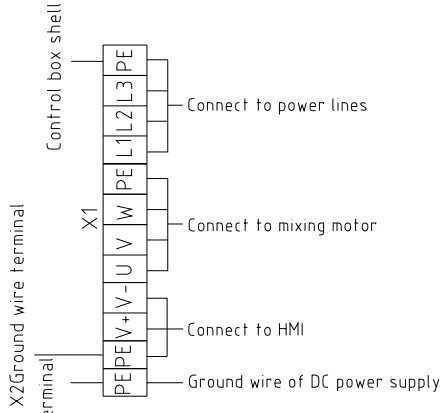
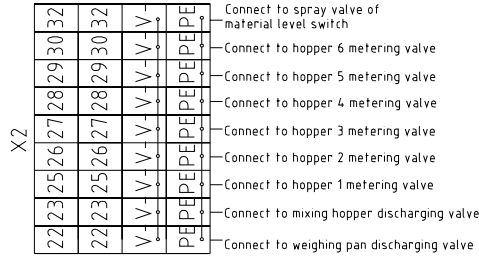
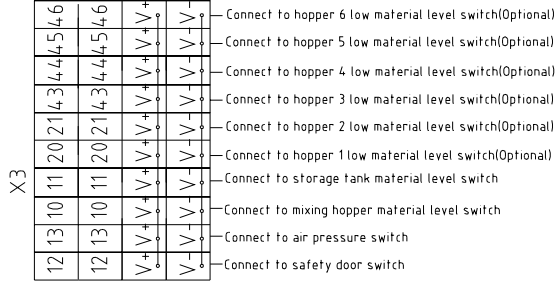
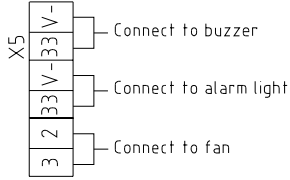
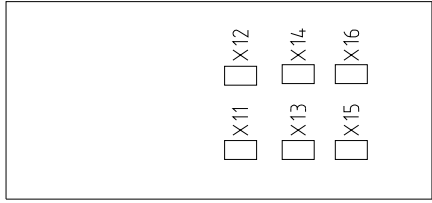
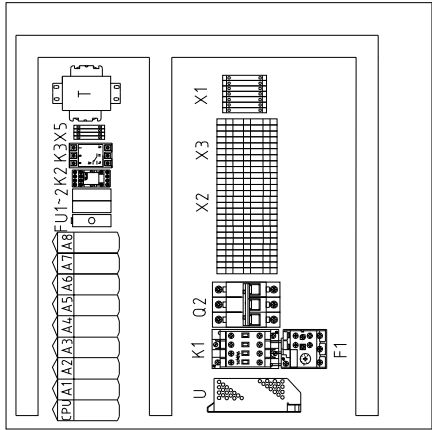
1 2 3 4 5 6 7 8



机型版本	Ver.C
Mark	Before modification
	After modification
	Modify date
	Checked by
	Proofread by
	Designer
	Drawer
Version	B
Approved by	
Date	20170608

Scale	Standard	CE	Page	9
	Voltage	400V	Totally	12 Pages
Frequency		50HZ		
Drawing NO		SGB-1200-6-CE-400V-B-9		
Title		SGB-1200-6 Electrical Diagram 9		
SHINI		信易電熱機械股份有限公司 Shini Plastics Technologies, Inc.		

1 2 3 4 5 6 7 8

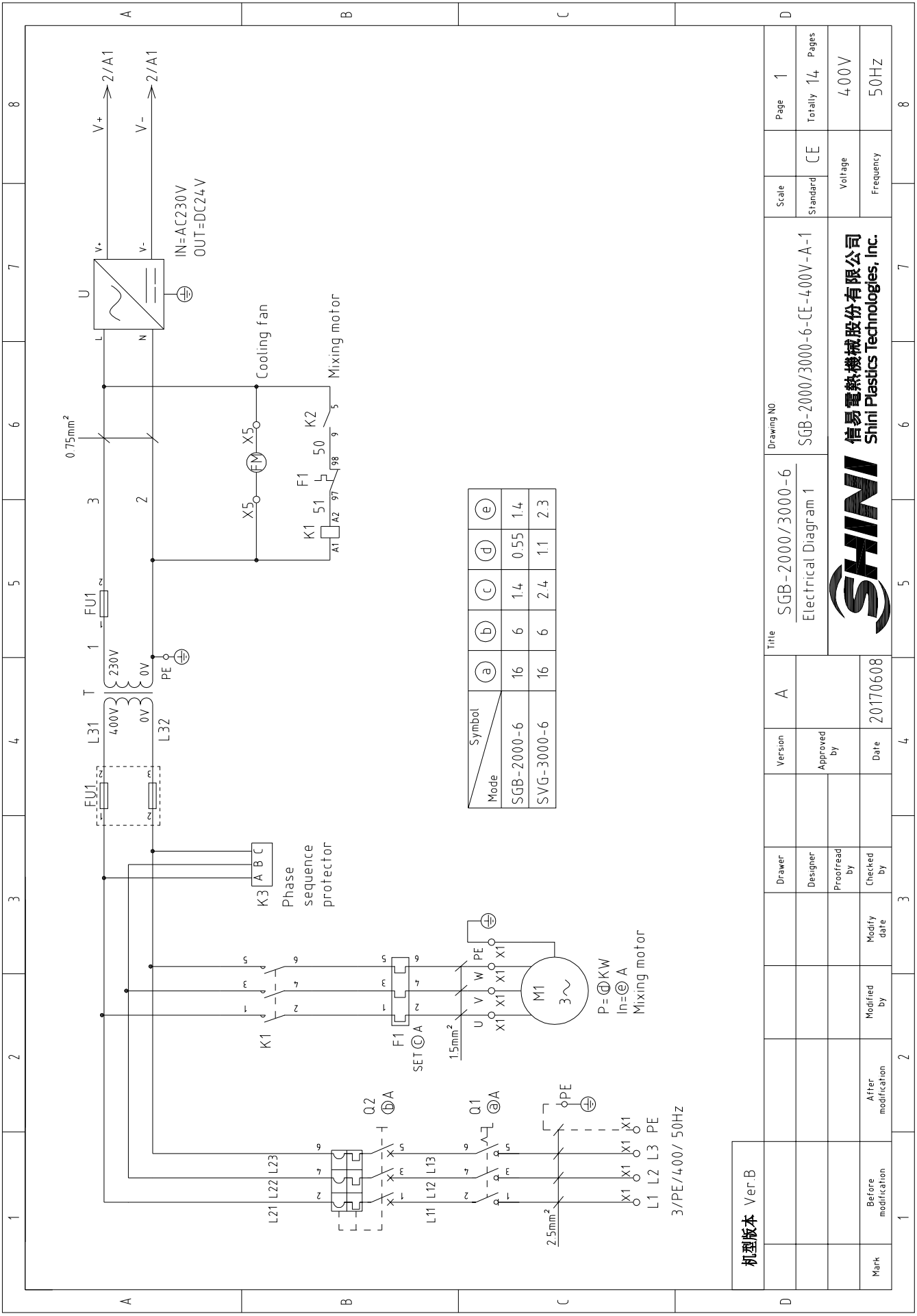


机型版本 Ver.C

D	Version	B	Title	SGB-1200-6		Drawing NO	Scale	Standard	CE	Page	10
	Approved By			Electrical Components Layout			SGB-1200-6-CE-400V-B-10	Voltage	400V	Totally	12
Mark	Before modification		Date	20170608			Frequency	50HZ			
	Modified by										
	Modify date										
	Checked by										
	Proofread by										
	Designer										
	Drawer										



1		2		3		4		5		6		7		8	
NO.	Symbol	Name	Manufacturer	Type	Specification	Number	Material number	Remark							
26	X2	Terminal		SK2.5-TL	250V 2.5	9	YE60002503600								
27	X3	Terminal		SK2.5-TL	250V 2.5	4	YE60002503600								
28	X3	Terminal		SK2.5-TL	250V 2.5	6	YE60002503600	(2)							
29	X5	Terminal	----	2.5mm ²	----	6	YE61250040000								
30	X11~X16	Heavy duty plug-in	SIBAS	HA-004-F	4P 10A	6	YE60000040000								
31	X10 X17	Heavy duty plug-in	SIBAS	HDC-HQ-005	5P 10A	2	YE68000500000								
32	WS	Communication cable	SHINI	----	1.5M 0.5x5C+ 9pin 母头串口	1	YE51102900000 YE62090000100								
33	FM	Cooling fan	----	----	220~230VAC 50/60HZ	1	YM60121200400	(1)							
34	M1	Mixing Motor	----	0.55kW	400V 50/60Hz	1	----	(1)							
35	Y1~Y8	Solenoid valve	FESTO	----	24VDC	8	----	(1)							
36	Y16	Solenoid valve	FESTO	----	24VDC	2	----	(1)(2)							
37		Power cable	----	----	2.5mm ² x4C	4M	BE51250400450	(1)							
38		Motor cable	----	----	1.5mm ² x4C	1.5M	YE50150400000	(1)							
39	WS1	Ethernet line	----	----	----	1.0M	YE90000101600								
		Ethernet connector	----	RJ45F71	----	1	YE64457100000								
C															
D															
机型版本 Ver.C Note: (1) Means not part of control box. (2)Stands for optional															
		Title		Drawing NO		Scale		Page		D					
		SGB-1200-6		SGB-1200-6-CE-400V-B-12		Standard		CE		Voltage		Page		Totally	
		Electrical Components List 2								3/400V		12		12	
		SHINI		信易电热机械股份有限公司		Shini Plastics Technologies, Inc.				Frequency		50HZ			
Mark	Before modification	Modified by	Modify date	Checked by	Date	Approved by	Version	B							
					20170608										
1	2	3	4	5	6	7	8								



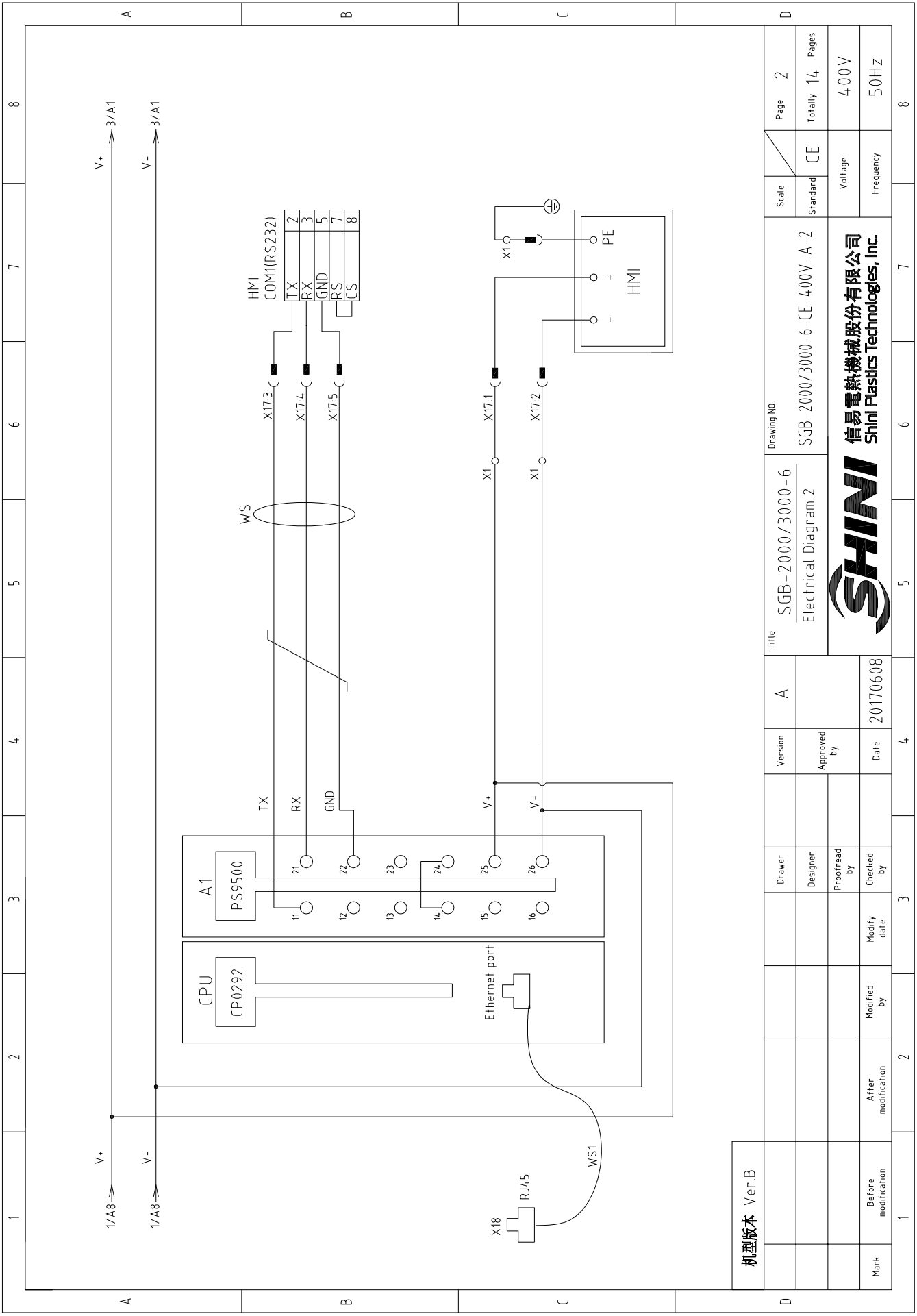
Mode	(a)	(b)	(c)	(d)	(e)
SGB-2000-6	16	6	1.4	0.55	1.4
SVG-3000-6	16	6	2.4	1.1	2.3

机型版本 Ver.B	
Mark	Before modification
	After modification
	Modified by
	Modify date
	Checked by
	Proofread by
Designer	
Drawer	

Title		SGB-2000/3000-6		Drawing NO	
Electrical Diagram 1		SGB-2000/3000-6-CE-400V-A-1		Scale	
		CE		Standard	
		Voltage		400V	
		Frequency		50HZ	
		Page		1	
		Totally		14	
		Pages			



信易电热机械股份有限公司
Shini Plastics Technologies, Inc.



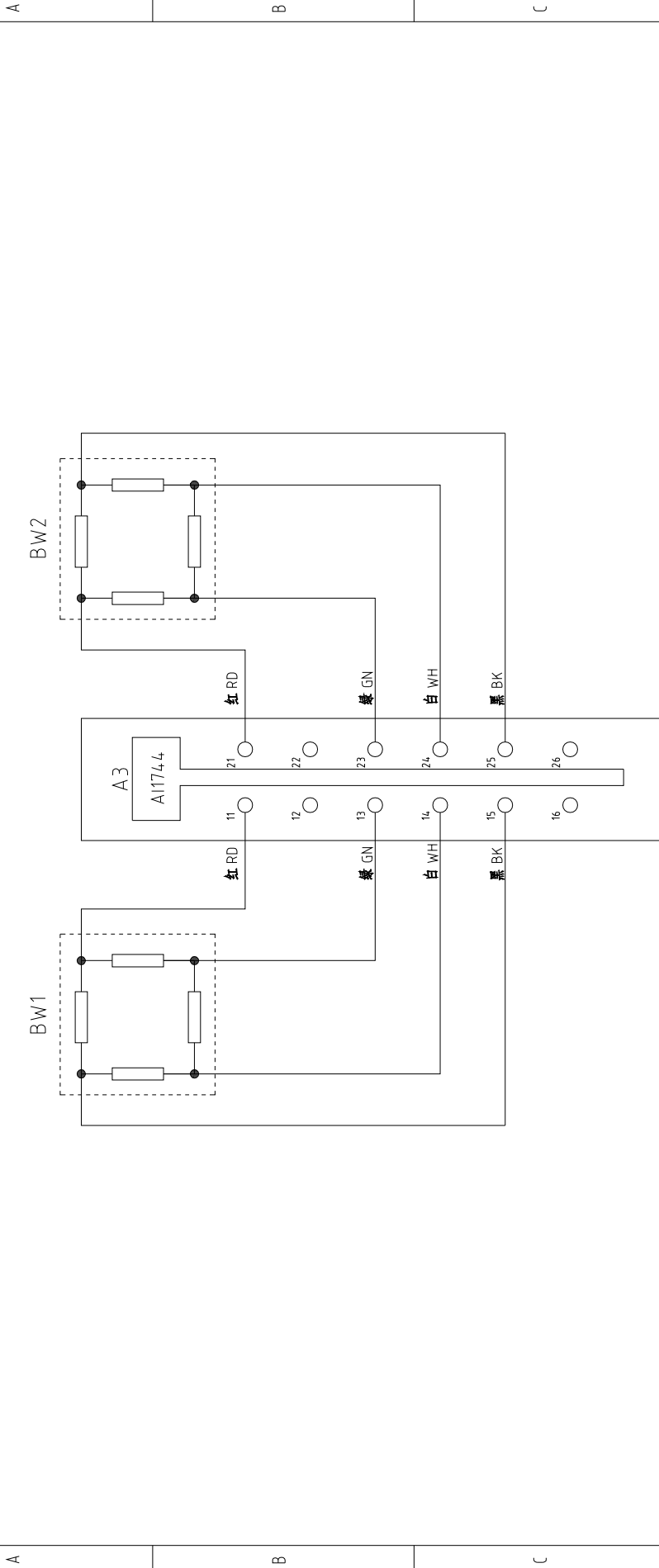
机型版本	Ver.B
Mark	Before modification
	After modification
	Modified by
	Modify date
	Checked by
	Proofread by
	Designer
	Drawer
	Approved by
	Version
	A

Title		SGB-2000/3000-6	
Electrical Diagram 2		SGB-2000/3000-6-CE-400V-A-2	
Drawing NO		SGB-2000/3000-6-CE-400V-A-2	
Date		20170608	
Approved by			
Version		A	

Scale	CE	Page	2
Standard	CE	Totally	14
Voltage	400V	Pages	
Frequency	50HZ		

SHINI
 信易电热机械股份有限公司
 Shini Plastics Technologies, Inc.

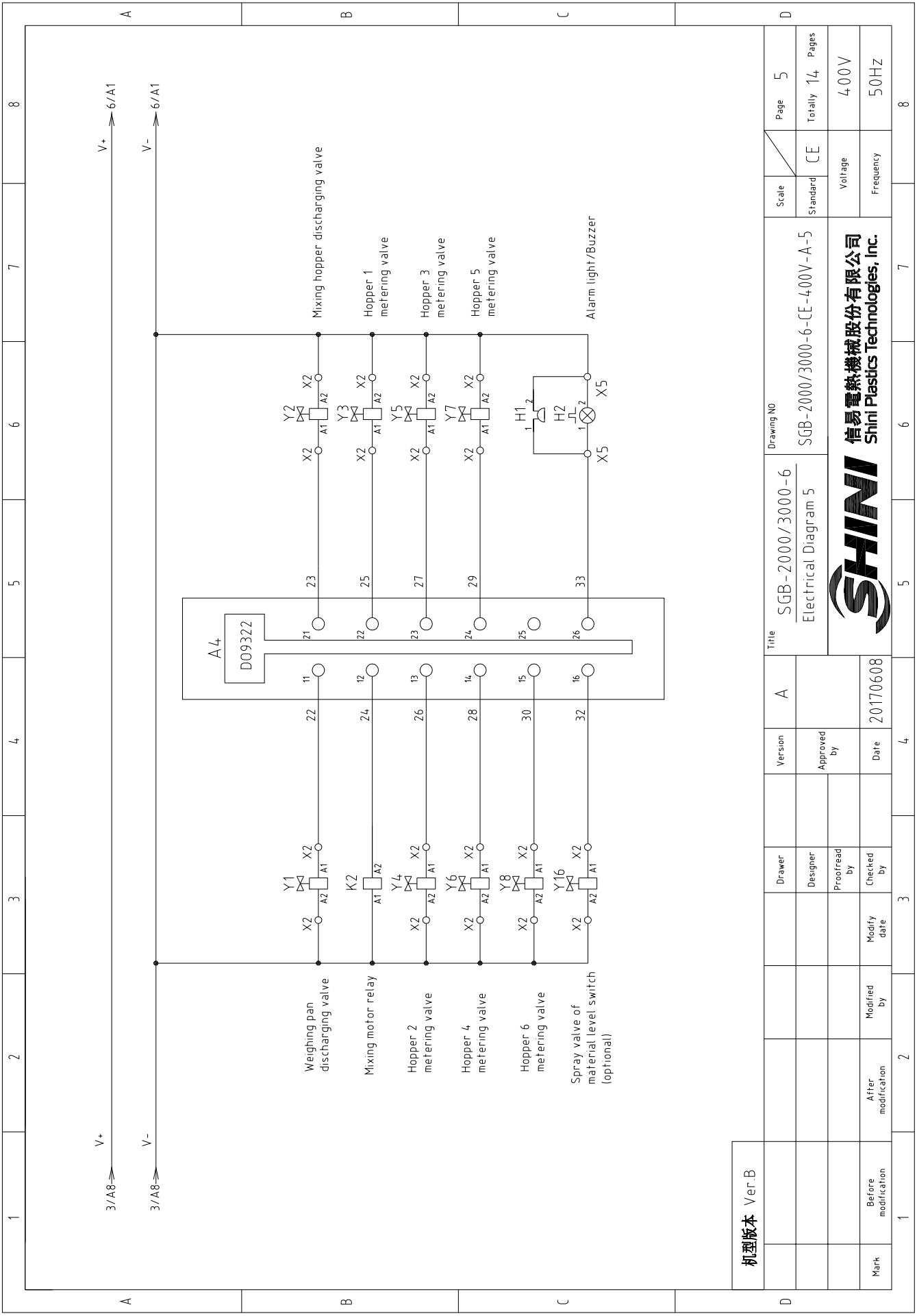
1 2 3 4 5 6 7 8



机型版本	Ver.B
Mark	Before modification
	After modification
	Modified by
	Modify date
	Checked by
	Proofread by
	Designer
	Drawer
	Approved by
	Date
	20170608

Scale	Standard	CE	Page	4
	Voltage		400V	
Frequency		50HZ		
Drawing NO		SGB-2000/3000-6-CE-400V-A-4		
Title		SGB-2000/3000-6 Electrical Diagram 4		
Version		A		
SHINI		信易电热机械股份有限公司 Shini Plastics Technologies, Inc.		
Mark		1		
Modified by		2		
Modify date		3		
Checked by		4		
Date		20170608		
Approved by		5		
Title		SGB-2000/3000-6 Electrical Diagram 4		
Drawing NO		SGB-2000/3000-6-CE-400V-A-4		
Scale		CE		
Page		4		
Totally		14		
Pages		50HZ		
Voltage		400V		
Frequency		50HZ		
Mark		1		
Modified by		2		
Modify date		3		
Checked by		4		
Date		20170608		
Approved by		5		
Title		SGB-2000/3000-6 Electrical Diagram 4		
Drawing NO		SGB-2000/3000-6-CE-400V-A-4		
Scale		CE		
Page		4		
Totally		14		
Pages		50HZ		
Voltage		400V		
Frequency		50HZ		

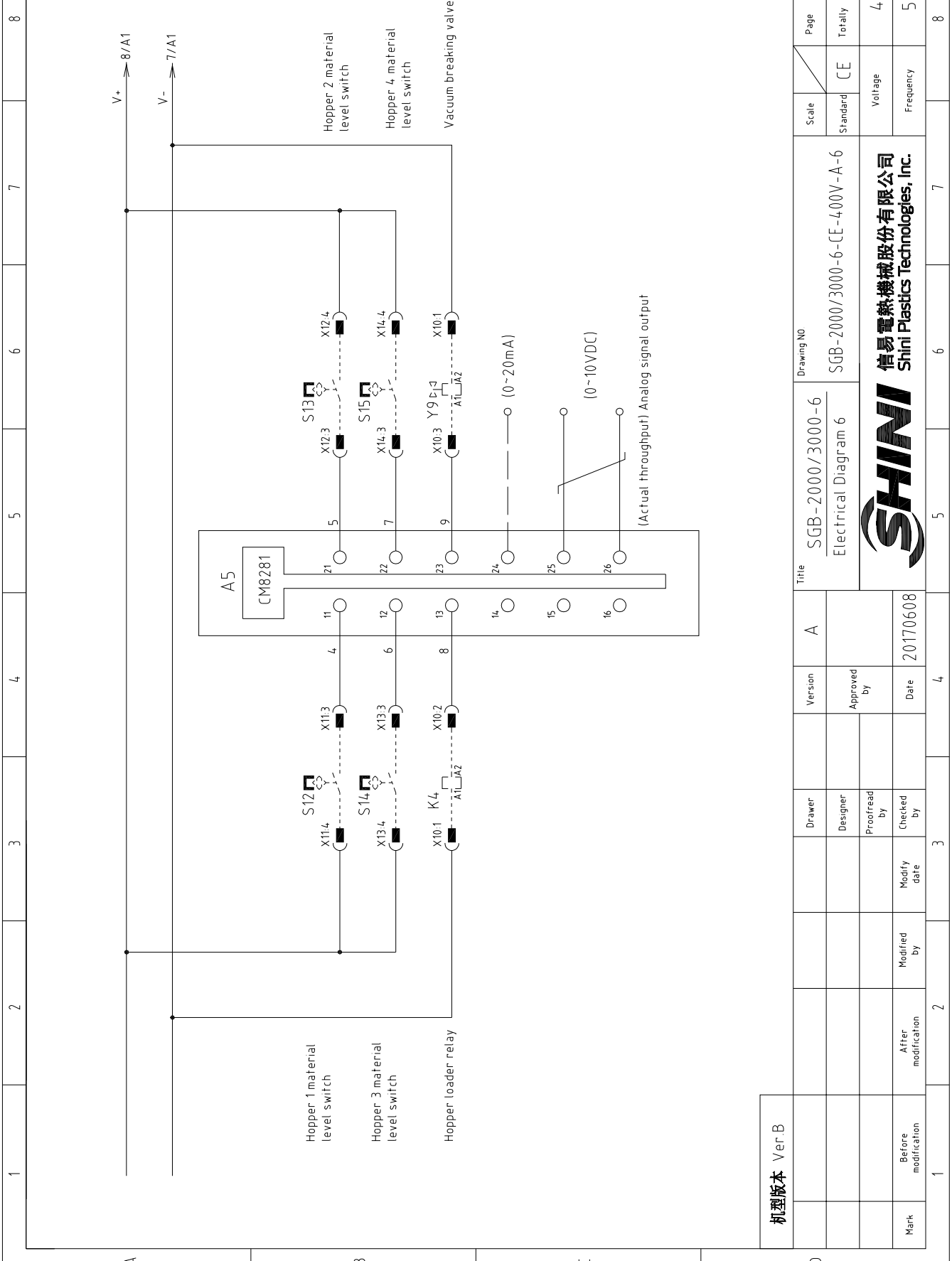
1 2 3 4 5 6 7 8



机型版本 Ver.B	
Mark	Before modification
	After modification
	Modify date
	Checked by
	Proofread by
	Designer
Version	Approved by
Drawer	

Title		Scale	
SGB-2000/3000-6 Electrical Diagram 5		CE	
Drawing NO		Standard	
SGB-2000/3000-6-CE-400V-A-5		Voltage	
		Frequency	
		400V	
		50HZ	
		Page	
		5	
		Totally	
		14	
		Pages	

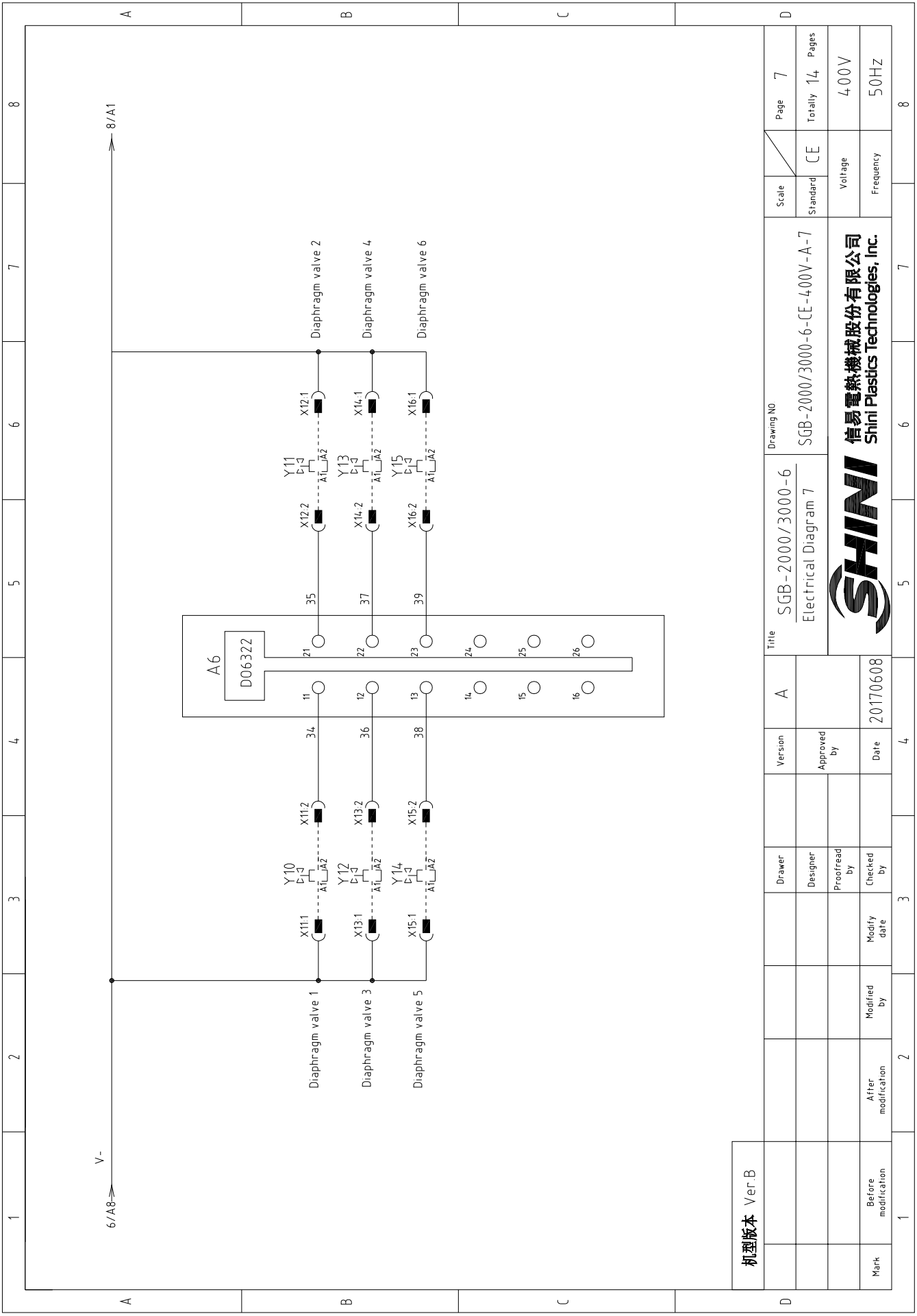




机型版本	Ver.B
Mark	Before modification
	After modification
	Modified by
	Modify date
	Checked by
	Proofread by
	Designer
	Drawer
	Version
	Approved by
	Date
	20170608

Title		SGB-2000/3000-6		Drawing NO		SGB-2000/3000-6-CE-4.00V-A-6	
Electrical Diagram 6		A		Scale		CE	
		Version		Standard		Voltage	
		Approved by		Standard		4.00V	
		Date		Standard		Frequency	
		20170608		Standard		50HZ	
		Date		Standard		Totally	
		20170608		Standard		14	
		Date		Standard		Page	
		20170608		Standard		6	

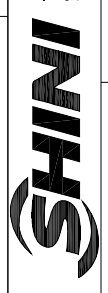




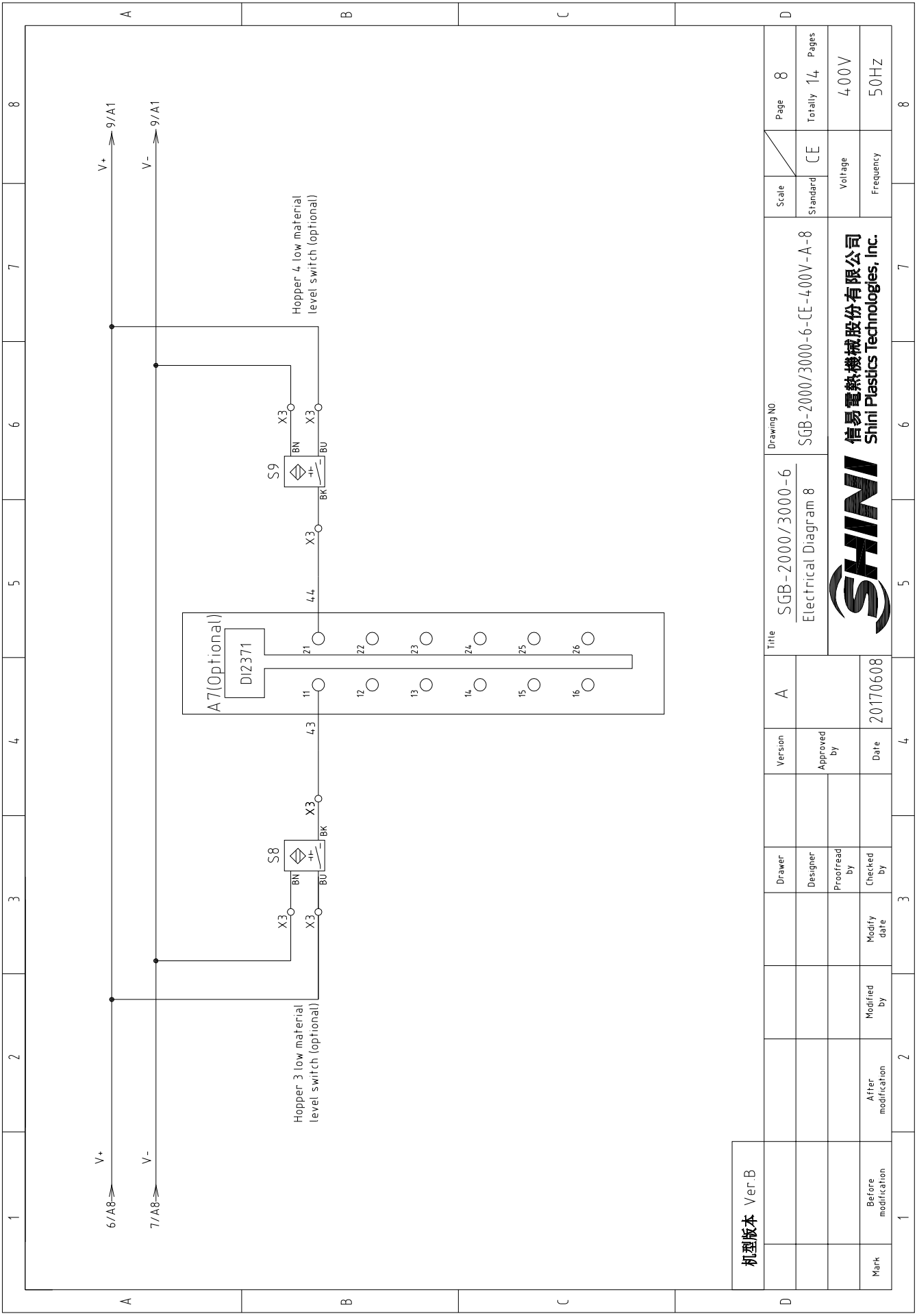
机型版本	Ver.B
Mark	Before modification
	After modification
	Modified by
	Modify date
	Checked by
	Proofread by
	Designer
	Drawer
	Approved by
	Version
	A

Title		SGB-2000/3000-6 Electrical Diagram 7	
Drawing NO		SGB-2000/3000-6-CE-400V-A-7	
Date		20170608	

Scale	CE	Page	7
Standard	CE	Totally	14
Voltage	400V	Pages	
Frequency	50HZ		



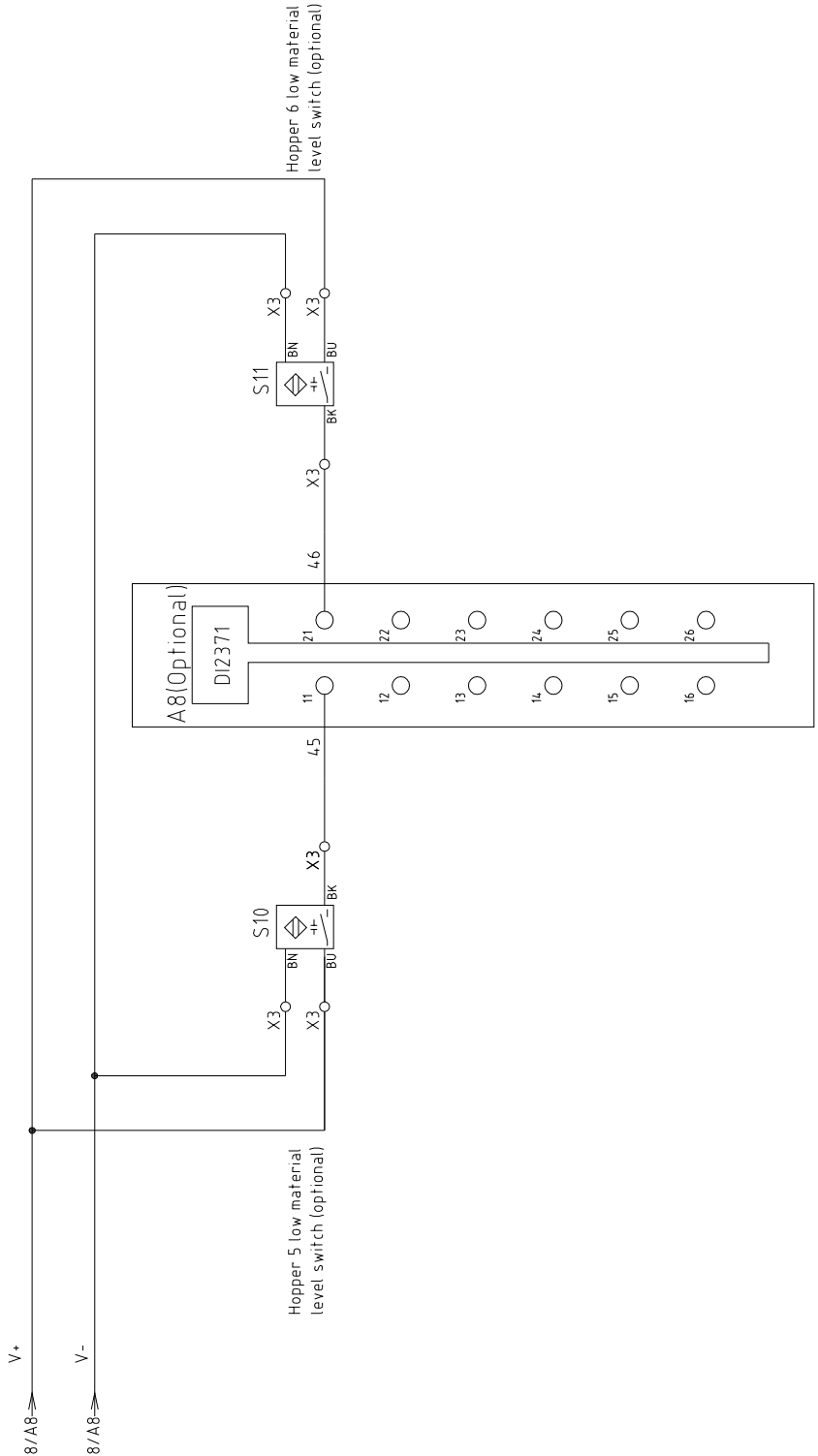
信易电热机械股份有限公司
Shini Plastics Technologies, Inc.



机型版本	Ver.B
Mark	Before modification
	Modified by
	Modify date
	Checked by
	Proofread by
	Designer
	Drawer
Version	A
Approved by	
Date	20170608

Scale	Standard	CE	Page	8
	Voltage	400V	Totally	14
	Frequency	50HZ		
Drawing NO		SGB-2000/3000-6-CE-400V-A-8		
Title		SGB-2000/3000-6 Electrical Diagram 8		
SHINI		信易电热机械股份有限公司 Shini Plastics Technologies, Inc.		

1 2 3 4 5 6 7 8



机型版本	Ver.B
Mark	Before modification
	After modification
	Modify date
	Checked by
	Proofread by
	Designer
	Drawer
	Approved by
	Date
	20170608

Scale	Standard	CE	Page	9
	Voltage	400V	Totally	14
	Frequency	50HZ		
Title		SGB-2000/3000-6	Drawing NO	
Electrical Diagram 9		SGB-2000/3000-6-CE-400V-A-9		
SHINI		信易電熱機械股份有限公司 Shini Plastics Technologies, Inc.		
Version	A	5	6	7
Date	20170608	4	5	8

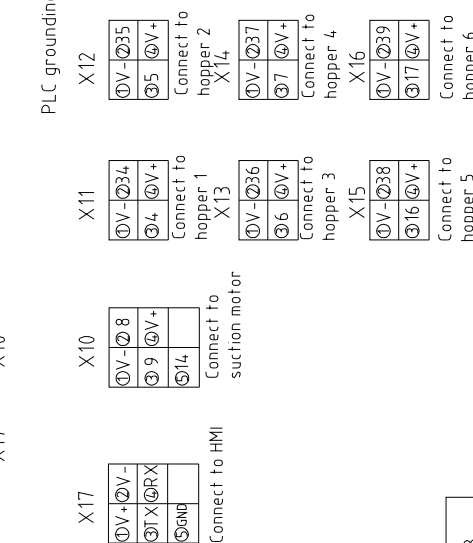
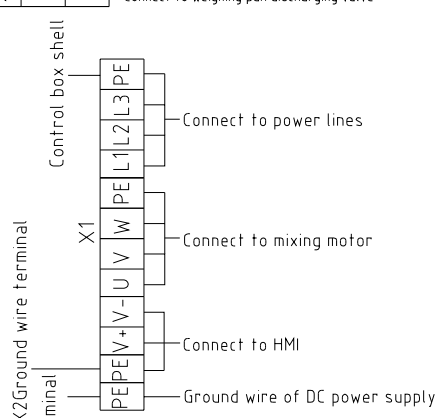
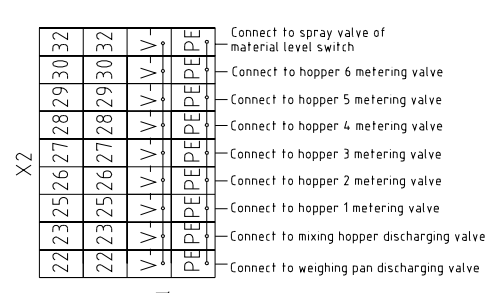
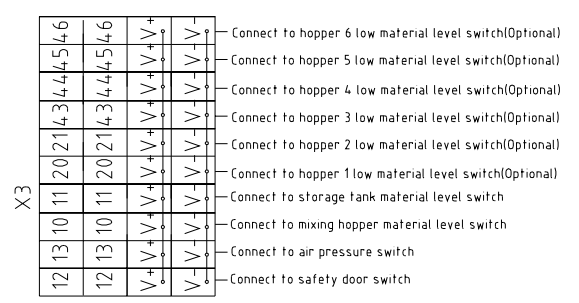
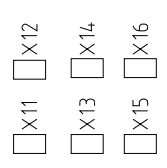
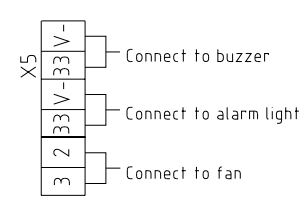
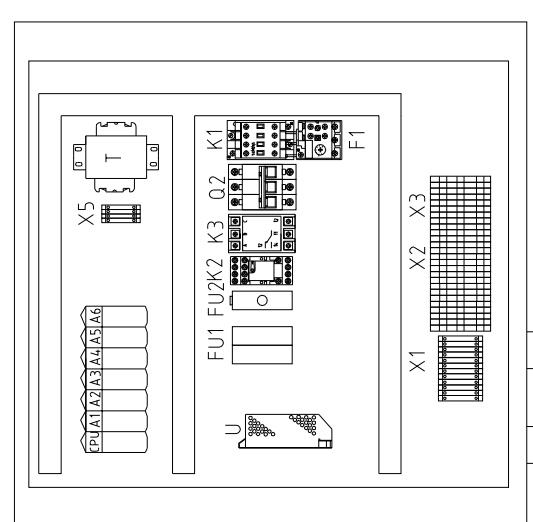
1 2 3 4 5 6 7 8

A

B

C

D



机型版本	Ver. B
Mark	Before modification
Modified by	
Modify date	
Checked by	
Date	20170608
Approved By	
Version	A

Scale	Standard
Page	10
Totally	14
Pages	14
Voltage	400V
Frequency	50HZ

Drawing NO	SGB-2000/3000-6
Title	SGB-2000/3000-6
Electrical Components Layout	SGB-2000/3000-6-CE-400V-A-10



1 2 3 4 5 6 7 8

1	2		3	4	5	6	7	8
NO	Symbol	Name	Manufacturer	Type	Specification	Number	Material number	Remark
1	Q1	Main power switch	MOELLER	T0-2-1/EA/SVB	16A	1	YE10021160000	
2	Q2	Circuit breakers	TECO	BM-63C/ 3006S	6A	1	YE40603000000	
3	S2 S3	Capacitive proximity switch	IFM	KI 5082	10~36VDC	2	YE15508200000	(1)
4	S6-S11	Capacitive proximity switch	IFM	KI 5082	10~36VDC	6	YE15508200000	(1) (2)
5	S4	Safety switch	SCHMERSRC	AZ152VK-14.76	AC-15	1	YE1614.7600100	(1)
6	S5	Pressure switch	FOX	K4SA02	1~12KG	1	YE154.01000000	(1)
7	K1	Contactors	SIEMENS	3RT6015-1AN21	230V 50/60Hz	1	YE00601521000	
8	K3	Phase sequence protector	CHAOSHI	ABJ-10W	400V	1	YE03103800000	
9	K2	Middle relay	WEIDMULLER	DRM270024LT	24VDC 12A	1	YE032724.00000	
10	F1	Overload Relays	SIEMENS	3RU6116-1BB0	14-2A	1	YE0116014.0000	
11	FU1	Fuse base	CHINT	RT18-32	2P	1	YE4.1032200000	
12		Fuse	CHINT	10*38 500V	2A	2	YE4.6002000100	
13	FU2	Fuse base	YINDA	FS-10	250V 2A	1	YE4.1001000000	
14	T	Transformer	BAIYUN	IN=4.00V OUT=230V	500mA	1	YE704.02300800	
15	U	DC power	MEAN WELL	S-100-24	+24V 4.5A	1	YE711024.00000	
16	CPU_A1-A7	Controller	B&R	----	----	1	YE80024.000100	
17	A8	Digital input module	B&R	X20 DI2371	----	1	YE80237100000	(2)
18		Terminal block	B&R	X20 TB12	----	1	YE80201100000	(2)
19		Bus module	B&R	X20 BM11	----	1	YE80200100000	(2)
20	HMI	Human-machine interface	SCHNEIDER	GXU3512	24VDC	1	YE80351200100	
21	H1	Buzzer	SHINI	PK-27A	24VDC	1	YE84.002700000	
22	H2	Pulse indicator	---	LTE-3051	24VDC	1	YE83305100300	
23	BW1BW2	Dose transducer	VISHAY	20KG	10VDC 2mV/V	2	----	(1)
24	X1	Terminal	Honeywell	SK2.5	2.5mm ²	8	YE60002503200	
25			----	GK2.5PE	2.5mm ² PE	4	YE60002503400	

机型版本 Ver.B		Note: (1) Means not part of control box. (2)Stand for optional		Drawing NO		Scale		Page	
				SGB-2000-6		Standard		11	
				Electrical Components list 1		CE		14	
				SGB-2000-6-CE-400V-A-11		Voltage		400V	
						Frequency		50HZ	
Mark		Before modification		Modified by		Modify date		Date	
								20170608	
				Version		Approved by		Date	
				A					
				Title		SGB-2000-6		Electrical Components list 1	
				Designer		Proofread by		Checked by	
				Drawn		Designer		Proofread by	
				Version		Approved by		Date	
				A				20170608	
				Title		SGB-2000-6		Electrical Components list 1	
				Drawing NO		SGB-2000-6-CE-400V-A-11		Scale	
						CE		Page	
						Voltage		400V	
						Frequency		50HZ	
						Standard		Totally	
						CE		14	
						Page		11	
						Drawing NO		SGB-2000-6-CE-400V-A-11	
						Electrical Components list 1		Scale	
						SGB-2000-6		Standard	
						CE		Page	
						Voltage		400V	
						Frequency		50HZ	
						Standard		Totally	
						CE		14	
						Page		11	



1		2		3		4		5		6		7		8	
NO.	Symbol	Name	Manufacturer	Type	Specification	Number	Material number	Remark							
26	X2	Terminal		SK2.5-TL	250V 2.5	9	YE60002503600								
27	X3	Terminal		SK2.5-TL	250V 2.5	4	YE60002503600								
28	X3	Terminal		SK2.5-TL	250V 2.5	6	YE60002503600	(2)							
29	X5	Terminal		2.5mm ²	----	6	YE61250040000								
30	X11~X16	Heavy duty plug-in	SIBAS	HA-004-F	4P 10A	6	YE60000040000								
31	X10 X17	Heavy duty plug-in	SIBAS	HDC-HQ-005	5P 10A	2	YE68000500000								
32	WS	Communication cable	SHINI	----	1.5M 0.5x5C+ 9pin 母头串口	1	YE51102900000 YE62090000100								
33	FM	Cooling fan		----	220~230VAC 50/60HZ	1	YM60121200400	(1)							
34	M1	Mixing Motor		0.55kW	400V 50/60Hz	1	----	(1)							
35	Y1~Y8	Solenoid valve	FESTO	----	24VDC	8	----	(1)							
36	Y16	Solenoid valve	FESTO	----	24VDC	2	----	(1)(2)							
37		Power cable		----	2.5mm ² x4C	4M	BE51250400450	(1)							
38		Motor cable		----	1.5mm ² x4C	1.5M	YE50150400000	(1)							
39	WS1	Ethernet line		----	----	1.0M	YE90000101600								
		Ethernet connector		RJ45F71	----	1	YE64457100000								
C															
D															
机型版本 Ver.B Note: (1) Means not part of control box. (2)Stand for optional															
		Title		SGB-2000-6		Drawing NO		SGB-2000-6-CE-400V-A-12		Scale		Page		12	
		Electrical Components List 2		A		Approved by				Standard		CE		Totally 14 Pages	
		Date		20170608		Proofread by				Voltage		400V			
Mark		After modification		Modified by		Modify date		Checked by		Frequency		50HZ			
1		2		3		4		5		6		7		8	



信易电热机械股份有限公司
Shini Plastics Technologies, Inc.

1	2		3	4	5	6	7	8
NO	Symbol	Name	Manufacturer	Type	Specification	Number	Material number	Remark
1	Q1	Main power switch	MOELLER	T0-2-1/EA/SVB	16A	1	YE10021160000	
2	Q2	Circuit breakers	TECO	BM-63C/ 3006S	6A	1	YE40603000000	
3	S2 S3	Capacitive proximity switch	IFM	KI 5082	10~36VDC	2	YE15508200000	(1)
4	S6-S11	Capacitive proximity switch	IFM	KI 5082	10~36VDC	6	YE15508200000	(1) (2)
5	S4	Safety switch	SCHMERSRC	AZ152VK-14.76	AC-15	1	YE1614.7600100	(1)
6	S5	Pressure switch	FOX	K4SA02	1~12KG	1	YE154.01000000	(1)
7	K1	Contactors	SIEMENS	3RT6015-1AN21	230V 50/60Hz	1	YE00601521000	
8	K3	Phase sequence protector	CHAOSHI	ABJ-10W	400V	1	YE03103800000	
9	K2	Middle relay	WEIDMULLER	DRM270024LT	24VDC 12A	1	YE032724.00000	
10	F1	Overload relays	SIEMENS	3RU6116-1DB0	2.3~3.2A	1	YE01160220000	
11	FU1	Fuse base	CHINT	RT18-32	2P	1	YE4.1032200000	
12		Fuse	CHINT	10*38 500V	2A	2	YE4.6002000100	
13	FU2	Fuse base	YINDA	FS-10	250V 2A	1	YE4.1001000000	
14	T	Transformer	BAIYUN	IN=4.00V OUT=230V	500mA	1	YE704.02300800	
15	U	DC power	MEAN WELL	S-100-24	+24V 4.5A	1	YE711024.00000	
16	CPU_A1-A7	Controller	B&R	----	----	1	YE80024.000100	
17	A8	Digital input module	B&R	X20 DI2371	----	1	YE80237100000	(2)
18		Terminal block	B&R	X20 TB12	----	1	YE80201100000	(2)
19		Bus module	B&R	X20 BM11	----	1	YE80200100000	(2)
20	HMI	Human-machine interface	SCHNEIDER	GXU3512	24VDC	1	YE80351200100	
21	H1	Buzzer	SHINI	PK-27A	24VDC	1	YE84.002700000	
22	H2	Pulse indicator	---	LTE-3051	24VDC	1	YE83305100300	
23	BW1BW2	Dose transducer	VISHAY	50KG	10VDC 2mV/V	2	----	(1)
24	X1	Terminal	Honeywell	SK2.5	2.5mm ²	8	YE60002503200	
25			----	GK2.5PE	2.5mm ² PE	4	YE60002503400	

机型版本 Ver.B Note: (1) Means not part of control box. (2)Stands for optional

D	1	2	3	4	5	6	7	8					
Mark	Before modification	After modification	Modified by	Modify date	Checked by	Proofread by	Designer	Drawer	Version	Title	Drawing NO	Scale	Page
									Approved by				
									A	SGB-3000-6 Electrical Components List 1	SGB-3000-6-CE-400V-A-13	CE	13
												Voltage	400V
												Frequency	50HZ
													14 Pages



1		2		3		4		5		6		7		8	
NO.	Symbol	Name	Manufacturer	Type	Specification	Number	Material number	Remark							
26	X2	Terminal		SK2.5-TL	250V 2.5	9	YE60002503600								
27	X3	Terminal		SK2.5-TL	250V 2.5	4	YE60002503600								
28	X3	Terminal		SK2.5-TL	250V 2.5	6	YE60002503600	(2)							
29	X5	Terminal	----	2.5mm ²	----	6	YE61250040000								
30	X11~X16	Heavy duty plug-in	SIBAS	HA-004-F	4P 10A	6	YE60000040000								
31	X10 X17	Heavy duty plug-in	SIBAS	HDC-HQ-005	5P 10A	2	YE68000500000								
32	WS	Communication cable	SHINI	----	1.5M 0.5x5C+ 9pin 母头串口	1	YE51102900000 YE62090000100								
33	FM	Cooling fan	----	----	220~230VAC 50/60HZ	1	YM60121200400	(1)							
34	M1	Mixing Motor	----	1.1kW	400V 50/60Hz	1	----	(1)							
35	Y1~Y8	Solenoid valve	FESTO	----	24VDC	8	----	(1)							
36	Y'16	Solenoid valve	FESTO	----	24VDC	2	----	(1)(2)							
37		Power cable	----	----	2.5mm ² x4C	4M	BE51250400450	(1)							
38		Motor cable	----	----	1.5mm ² x4C	1.5M	YE50150400000	(1)							
39	WS1	Ethernet line	----	----	----	1.0M	YE90000101600								
		Ethernet connector	----	RJ45F71	----	1	YE64457100000								
C															
D															
机型版本 Ver.B Note: (1) Means not part of control box. (2)Stands for optional															
Mark		Before modification	Modified by	Modify date	Checked by	Proofread by	Designer	Drawer	Version	A	Title SGB-3000-6 Electrical Components List 2		Drawing NO SGB-3000-6-CE-400V-A-14		Page 14
		After modification					Approved by				Scale Standard		CE	Totally 14	Pages
							Date	20170608			 信易电热机械股份有限公司 Shini Plastics Technologies, Inc.		Voltage 400V	Frequency 50HZ	
8															