
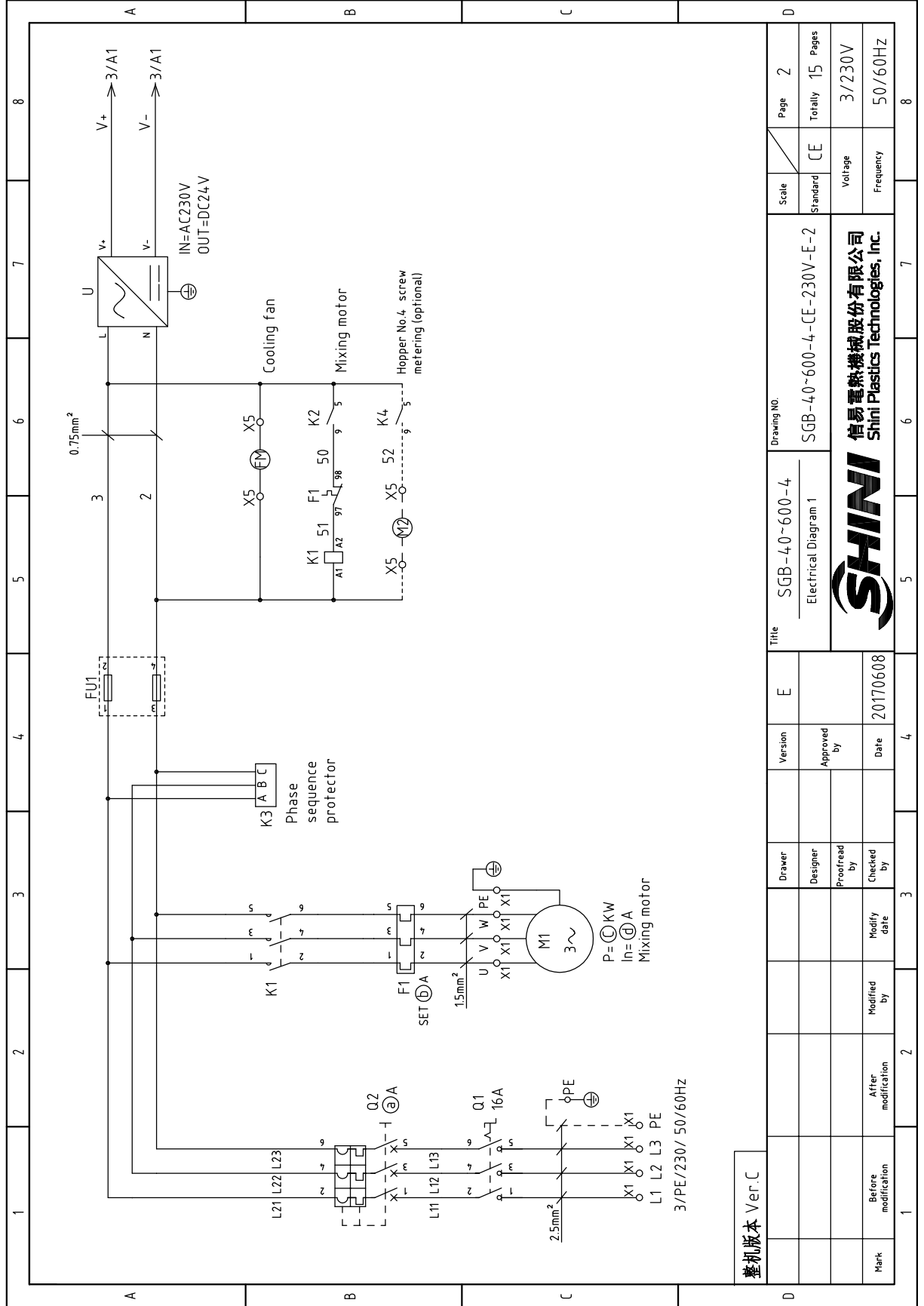


1	2	3	4	5	6	7	8
A	B	C	D				
A	B	C	D				
			<p>整机版本 Ver.C</p>		<p>Scale</p> <p>Standard CE</p> <p>Voltage 3/230V</p> <p>Frequency 50/60HZ</p>		<p>Page 1</p> <p>Totally 15 Pages</p>
			<p>Version E</p> <p>Approved by</p> <p>Date 20170608</p>		<p>Drawing NO.</p> <p>SGB-4.0~600-4-CE-230V-E-1</p>		
			<p>Parameter List of Circuit Diagram</p>		 <p>信易塑料机械股份有限公司 Shini Plastics Technologies, Inc.</p>		
			<p>Drawer</p> <p>Designer</p> <p>Proofread by</p> <p>Checked by</p>		<p>Modify Date</p> <p>After modification</p> <p>Before modification</p>		
			<p>Mode</p>		<p>Symbol</p>		
			<p>Ver.</p>		<p>Ver.</p>		
			<p>Ver.C</p>		<p>Ver.C</p>		
			<p>Ver.C</p>		<p>Ver.C</p>		
			<p>Ver.C</p>		<p>Ver.C</p>		
			<p>Ver.C</p>		<p>Ver.C</p>		

- Ⓐ Circuit breaker
- Ⓑ Default mixing motor overload relay
- Ⓒ Mixing motor power
- Ⓓ Mixing motor current

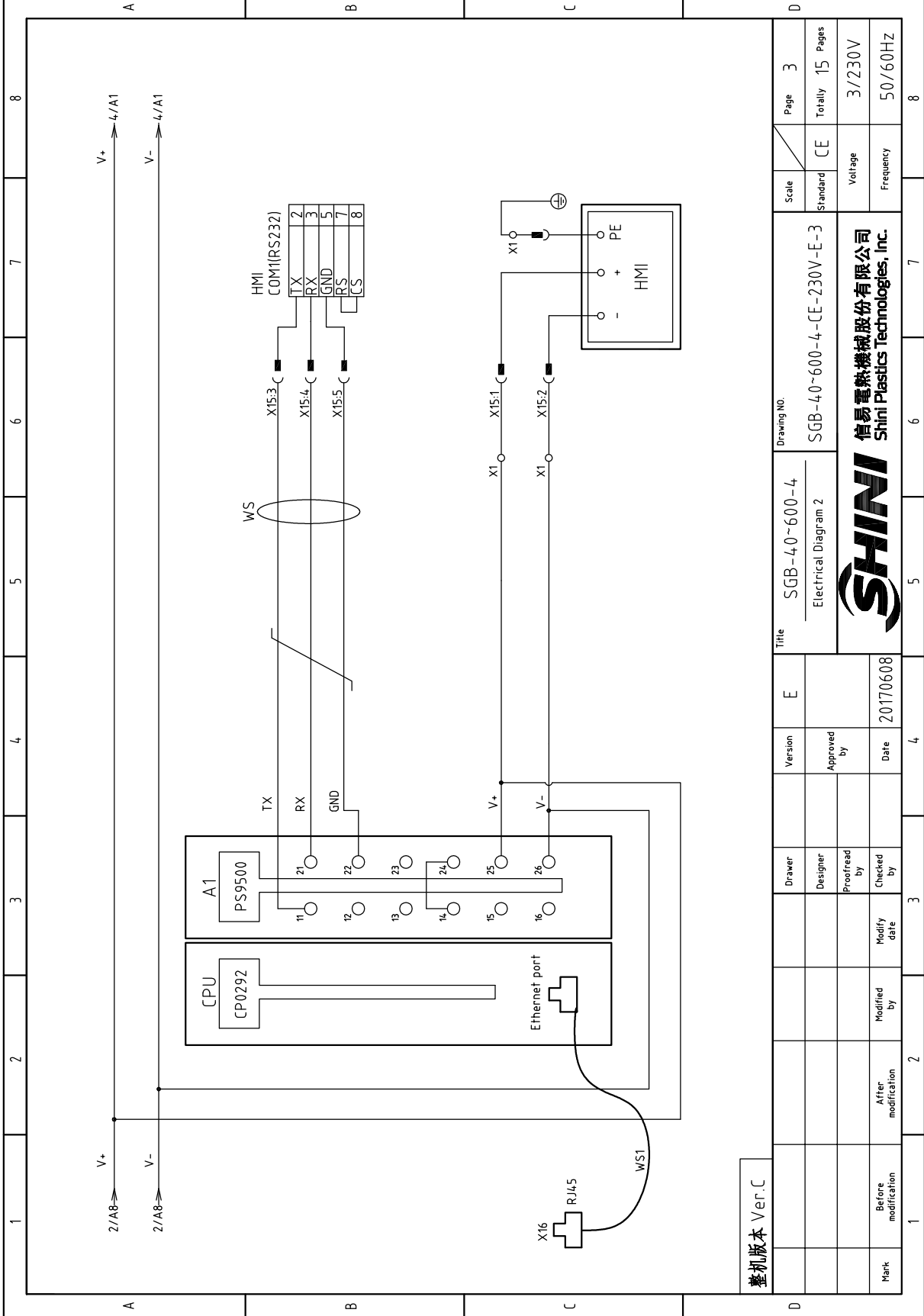
Mode	Symbol	Ver.	Ⓐ	Ⓑ	Ⓒ	Ⓓ
SGB-4.0-4		Ver.C	6	1.1	0.25	1.1
SGB-200-4		Ver.C	6	1.1	0.25	1.1
SGB-600-4		Ver.C	6	2.3	0.55	2.3



整机版本 Ver.C

Mark	Before modification	Modified by	20170608	Date	20170608	Version	E	Title	SGB-40-600-4 Electrical Diagram 1	Drawing NO.	SGB-40-600-4-CE-230V-E-2	Scale	CE	Page	2
Before modification	Modified by	20170608	Date	20170608	Version	E	Title	SGB-40-600-4 Electrical Diagram 1	Drawing NO.	SGB-40-600-4-CE-230V-E-2	Scale	CE	Page	2	
Modified by	20170608	Date	20170608	Version	E	Title	SGB-40-600-4 Electrical Diagram 1	Drawing NO.	SGB-40-600-4-CE-230V-E-2	Scale	CE	Page	2		
20170608	Date	20170608	Version	E	Title	SGB-40-600-4 Electrical Diagram 1	Drawing NO.	SGB-40-600-4-CE-230V-E-2	Scale	CE	Page	2			
Date	20170608	Version	E	Title	SGB-40-600-4 Electrical Diagram 1	Drawing NO.	SGB-40-600-4-CE-230V-E-2	Scale	CE	Page	2				
Version	E	Title	SGB-40-600-4 Electrical Diagram 1	Drawing NO.	SGB-40-600-4-CE-230V-E-2	Scale	CE	Page	2						
Title	SGB-40-600-4 Electrical Diagram 1	Drawing NO.	SGB-40-600-4-CE-230V-E-2	Scale	CE	Page	2								
SGB-40-600-4 Electrical Diagram 1	Drawing NO.	SGB-40-600-4-CE-230V-E-2	Scale	CE	Page	2									
Drawing NO.	SGB-40-600-4-CE-230V-E-2	Scale	CE	Page	2										
SGB-40-600-4-CE-230V-E-2	Scale	CE	Page	2											
Scale	CE	Page	2												
CE	Page	2													
Page	2														
2															

SHINI
信易塑料机械股份有限公司
Shini Plastics Technologies, Inc.



整机版本 Ver.C

Mark	Before modification	Modified by	20170608	Date	20170608	Version	E	Title	SGB-4.0-600-4		Scale	Page
	After modification	Modify date		Approved by		Designer		Electrical Diagram 2	SGB-4.0-600-4-CE-230V-E-3		Standard	Totally
				Checked by		Proofread by					CE	15
											Voltage	Pages
											Frequency	3/230V
												50/60HZ
												8



Drawing NO.

Page 3

Standard CE

SGB-4.0-600-4-CE-230V-E-3

Electrical Diagram 2

Version E

Approved by

Designer

Proofread by

Checked by

Modify date

20170608

Date

20170608

Scale

Page

Standard

Totally

CE

SGB-4.0-600-4-CE-230V-E-3

Electrical Diagram 2

Version

Approved by

Designer

Proofread by

Checked by

Modify date

20170608

Date

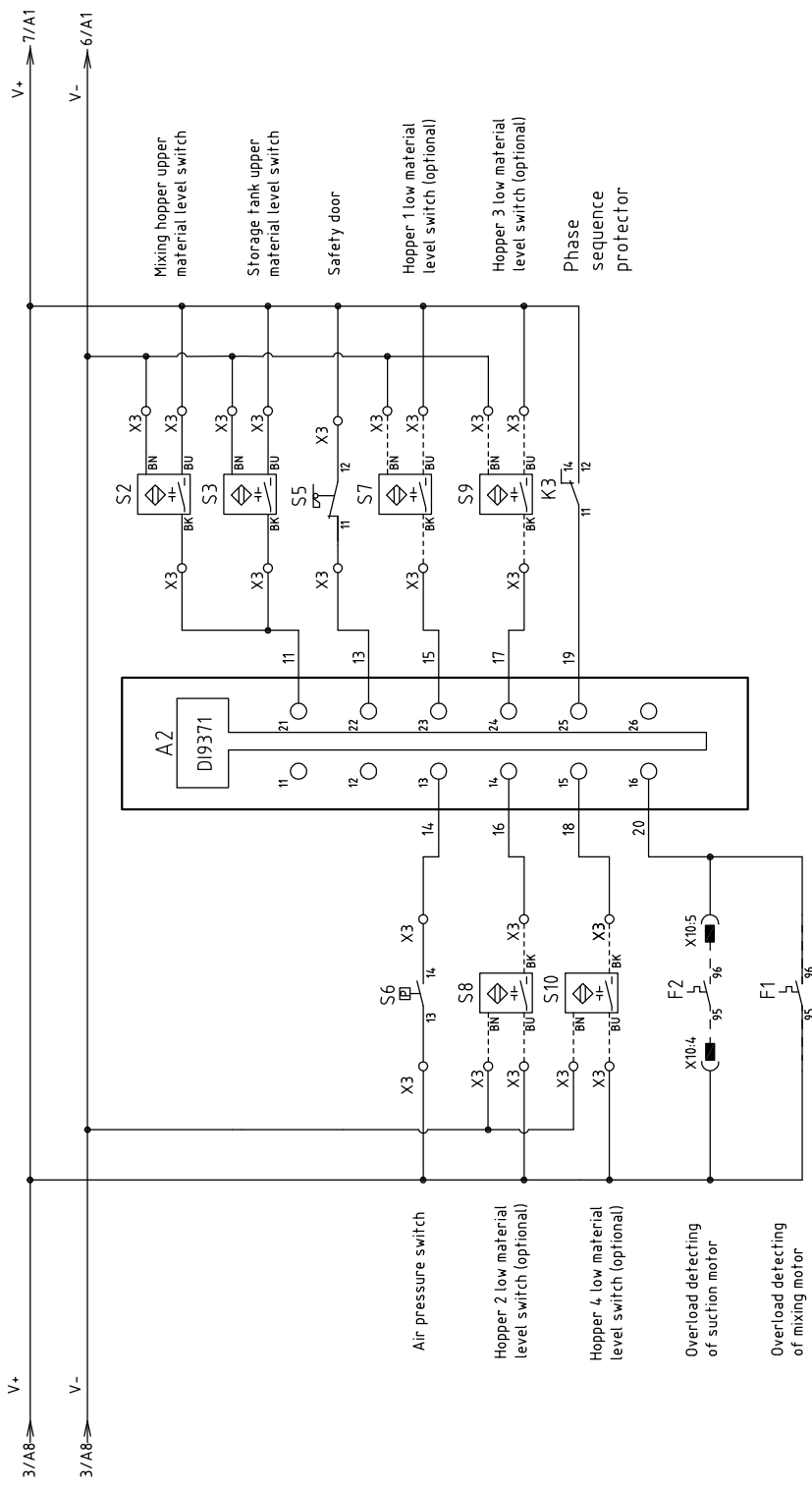
20170608

Voltage

Frequency

3/230V

50/60HZ

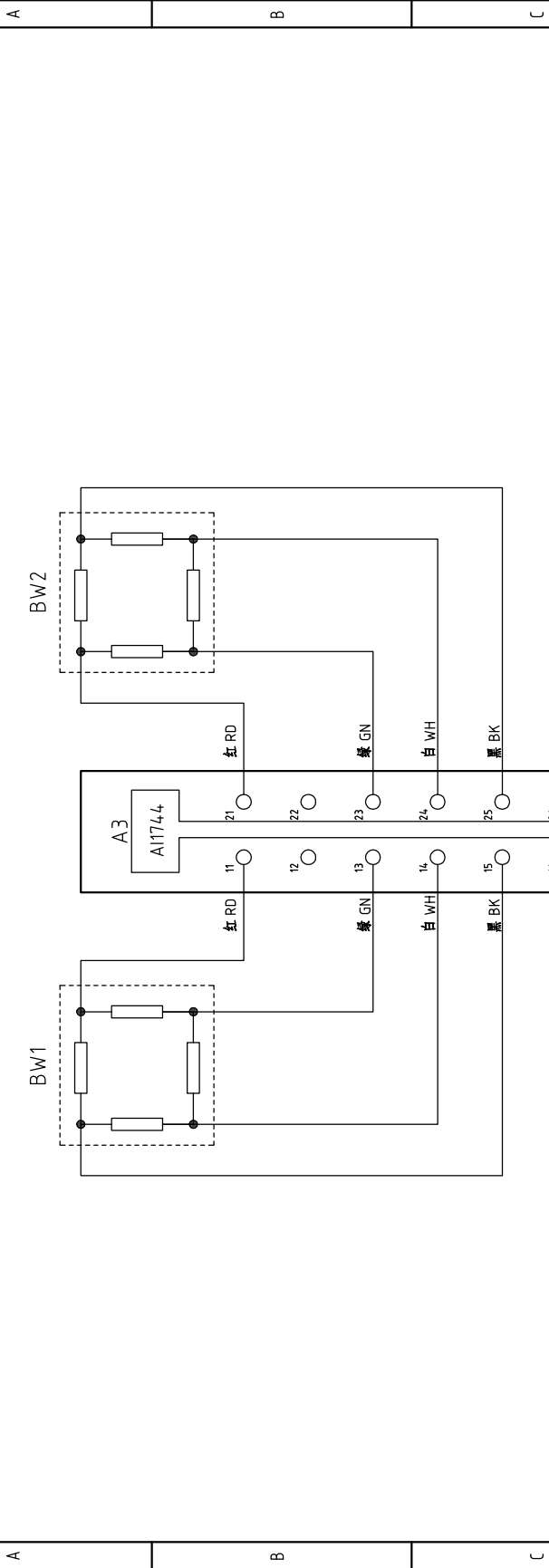


整机版本 Ver.C

Mark	Before modification	After modification	Modify date	Checked by	Date	20170608
Designer	Proofread by	Approved by	Version	E		
Title			SGB-4.0~600-4		Drawing NO.	
Electrical Diagram 3			SGB-4.0~600-4-CE-230V-E-4		Scale	
			Standard		Page 4	
			Voltage		Totally 15 Pages	
			Frequency		3/230V	
					50/60HZ	

SHINI
 信易塑料机械股份有限公司
 Shini Plastics Technologies, Inc.

1 2 3 4 5 6 7 8

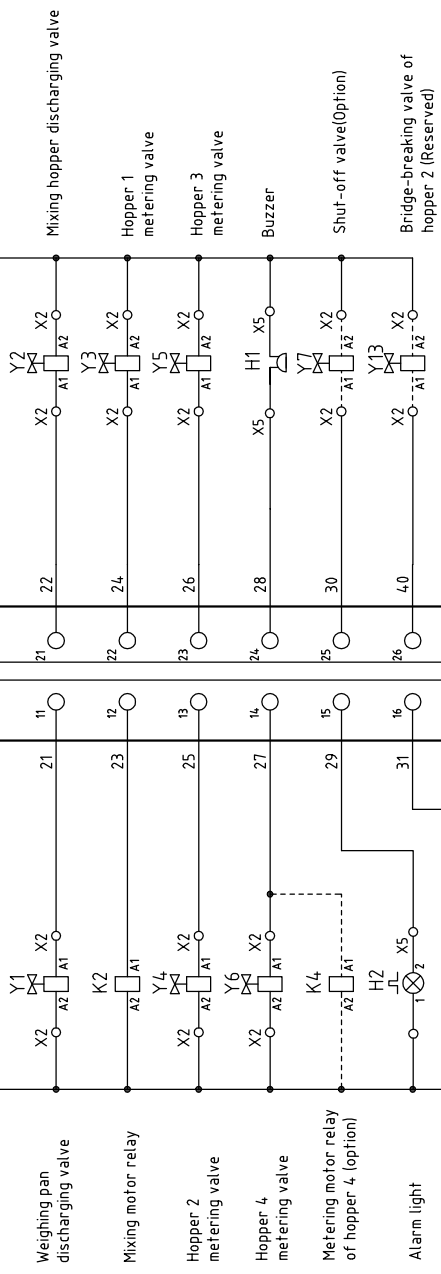
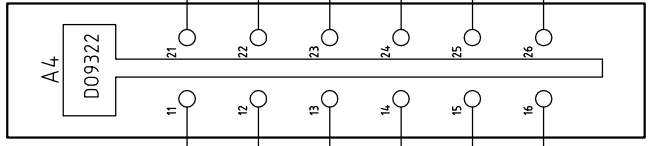


整机版本 Ver.C

Title		SGB-4.0~600-4		图号 NO.		Scale		Page	
Electrical Diagram 4		SGB-4.0~600-4-CE-230V-E-5		Standard		CE		5	
Version		E		Approved by		Voltage		3/230V	
Drawer		Designer		Proofread by		Frequency		50/60HZ	
Date		20170608		Checked by		After modification		Totally	
Modify date				Modified by		Before modification		15 Pages	
Mark								8	

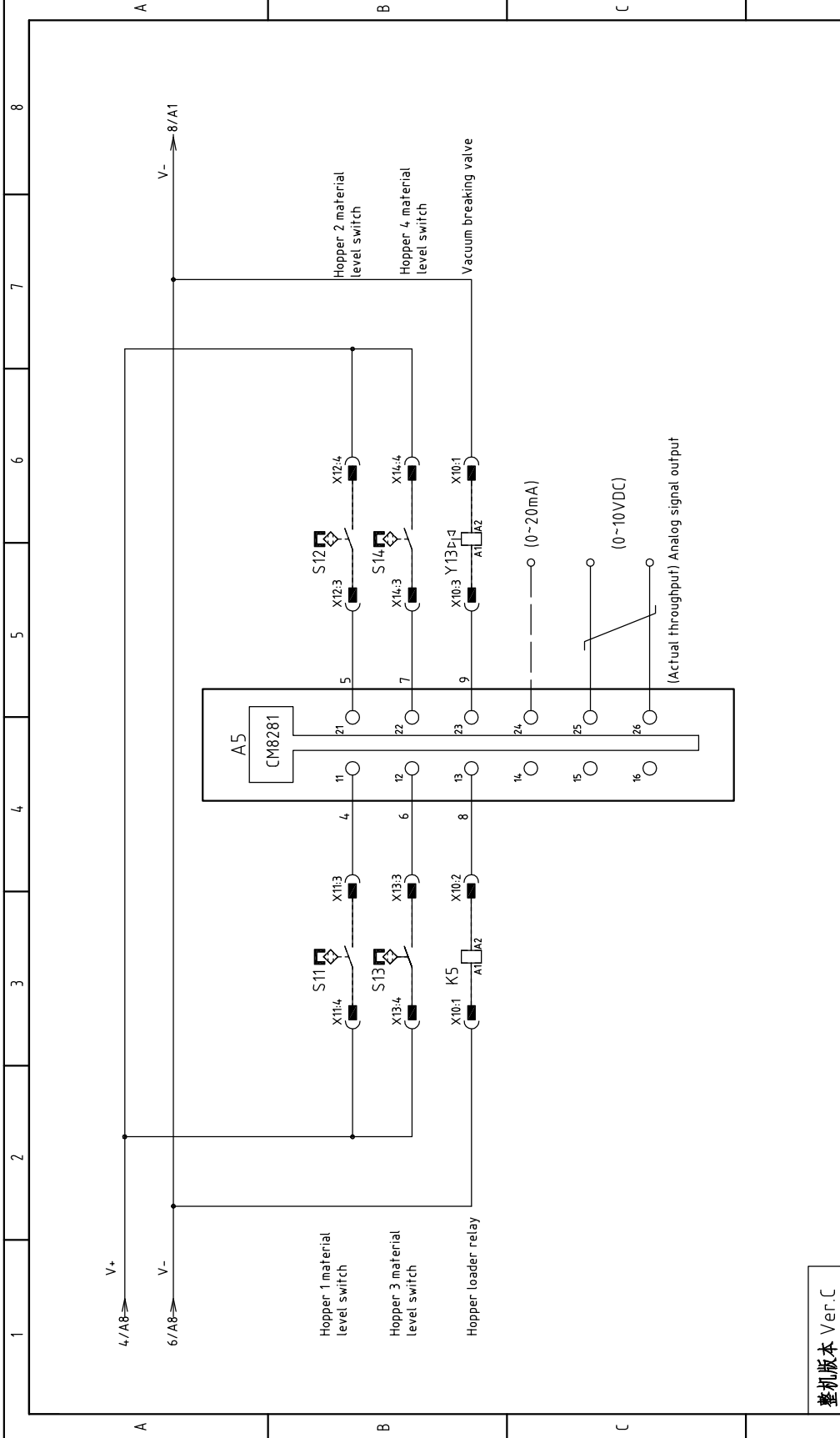


4/A8 → V- 7/A1



整机版本 Ver.C

Title		SGB-4.0-600-4		Drawing NO.		Page	
Electrical Diagram 5		SGB-4.0-600-4-CE-230V-E-6		Standard		CE	
Version		E		Voltage		3/230V	
Approved by		20170608		Frequency		50/60HZ	
Date		20170608		Totally		15 Pages	
Mark		Before modification		Modify date		3/230V	
Modified by		20170608		Checked by		50/60HZ	
Proofread by		20170608		Designer		8	
Checked by		20170608		Drawer		7	
Modify date		20170608		SHINI		6	
After modification		20170608		信易塑料机械股份有限公司		5	
Modified by		20170608		Shini Plastics Technologies, Inc.		4	
Before modification		20170608		SGB-4.0-600-4		3	
Checked by		20170608		Electrical Diagram 5		2	
Proofread by		20170608		SHINI		1	
Designer		20170608		信易塑料机械股份有限公司		8	
Drawer		20170608		Shini Plastics Technologies, Inc.		7	
Approved by		20170608		SGB-4.0-600-4		6	
Date		20170608		Electrical Diagram 5		5	
Version		E		Drawing NO.		4	
Title		SGB-4.0-600-4		SGB-4.0-600-4-CE-230V-E-6		3	
Electrical Diagram 5		SGB-4.0-600-4		Standard		2	
Voltage		3/230V		Frequency		1	
Frequency		50/60HZ		Totally		8	
Totally		15 Pages		Page		6	

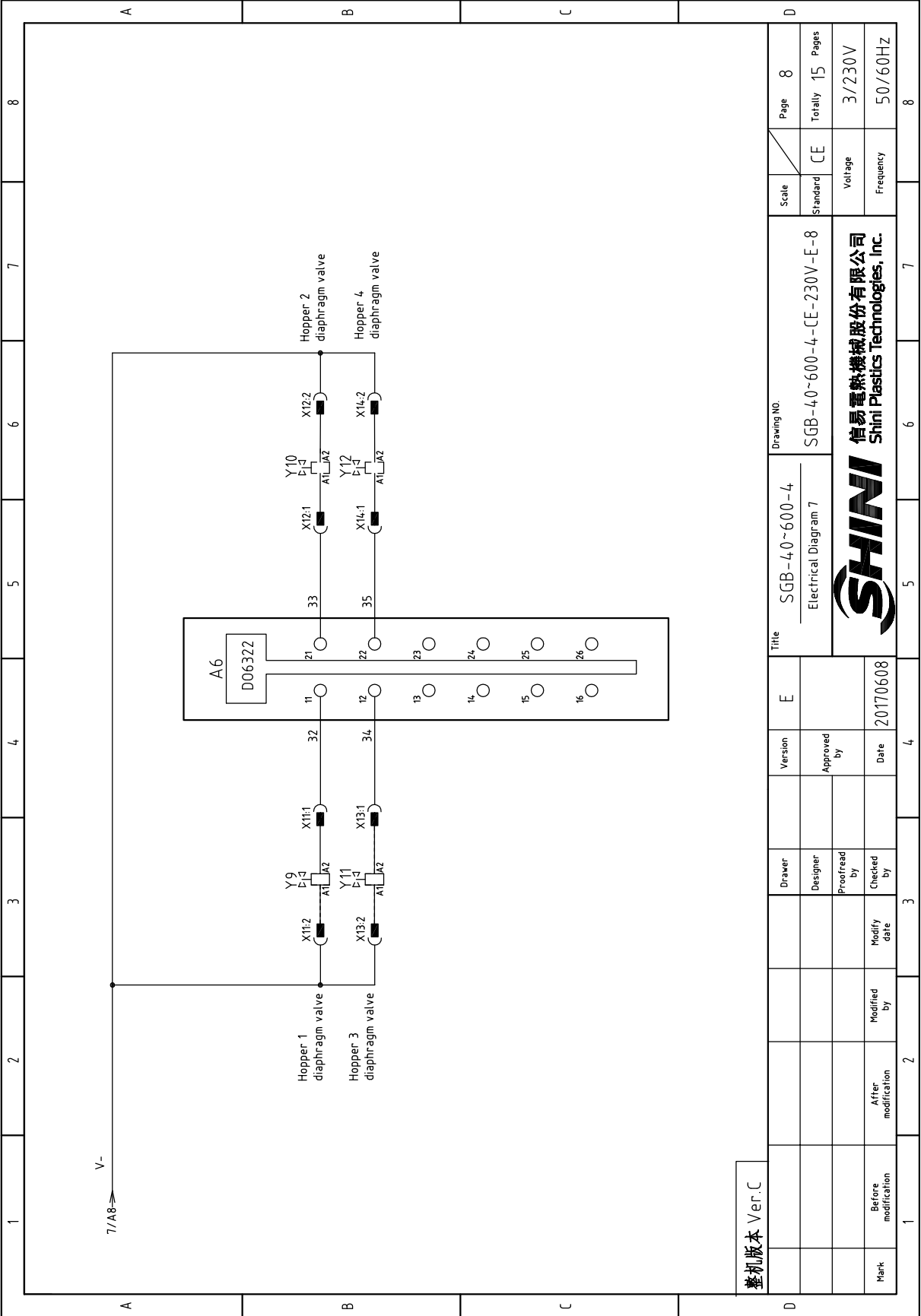


整机版本 Ver.C

Mark	Before modification	Modified by	Modify date	Checked by	Date	20170608
	After modification					
Designer	Proofread by	Checked by	Approved by	Version E		
Drawer				Title SGB-4.0~600-4		

Scale	Standard	CE	Page 7
Standard	Voltage	3/230V	Totally 15 Pages
	Frequency	50/60Hz	
Title SGB-4.0~600-4-CE-230V-E-7		Drawing NO.	
Electrical Diagram 6		SGB-4.0~600-4-CE-230V-E-7	

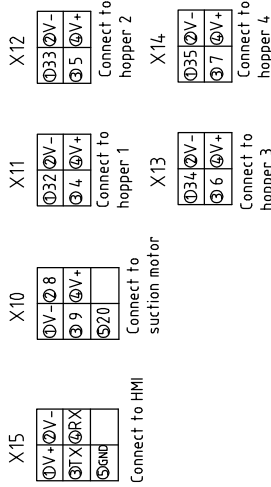
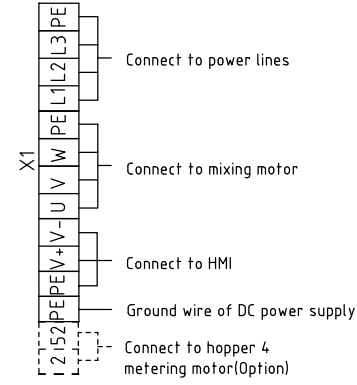
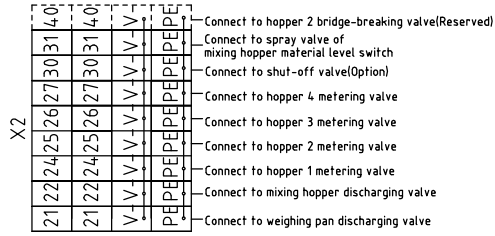
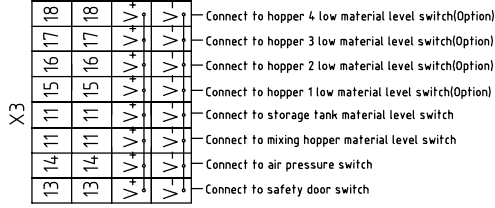
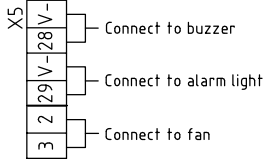
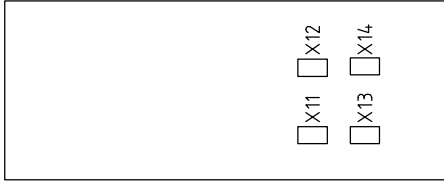
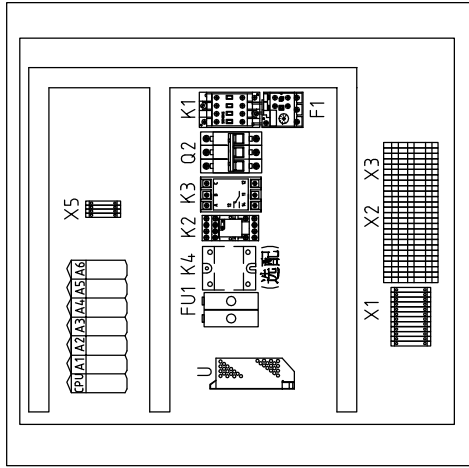




整机版本 Ver.C

Mark	Before modification	Modified by	Modified date	Checked by	Date	20170608
Designer	Proofread by	Approved by	Version	E	Title	SGB-40~600-4 Electrical Diagram 7
Scale	Standard	CE	Page	8	Drawing NO.	SGB-40~600-4-CE-230V-E-8
Frequency	50/60Hz	Voltage	Totally	15	Pages	3/230V





整机版本 Ver.C

Mark	Before modification	Modified by	Modify date	Date	20170608	Date	20170608	Checked by	Approved by	Version	E	Title	SGB-4.0~600-4		Drawing NO.	SGB-4.0~600-4-CE-230V-E-9		Page	9
	After modification	Modified by	Modify date								Proofread by		Designer	Drawer		Standard	CE	Totally	15
											SHINI			信易塑料机械股份有限公司 Shini Plastics Technologies, Inc.					

1	2		3	4	5	6	7	8
NO.	Symbol	Name	Manufacturer	Type	Specification	Number	Material number	Remark
1	Q1	Main switch	MOELLER	T0-2-1/EA/SVB	16A	1	YE10021160000	
2	Q2	Circuit breakers	TECO	BM-63C 3P	6A	1	YE40300603000	
3	S2 S3	Capacitive proximity switch	IFM	KI 5082	10~36VDC	2	YE15508200000	(1)
4	S7-S10	Capacitive proximity switch	IFM	KI 5082	10~36VDC	4	YE15508200000	(1) (2)
5	S5	Safety switch	SCHMERSRC	AZ152VK-1476	AC-15	1	YE16147600100	(1)
6	S6	Pressure switch	FOX	K4SA02	1~12KG	1	YE15401000000	(1)
7	K1	Contactors	SIEMENS	3RT6015-1AN21	230V 50/60Hz	1	YE00601521000	
8	K3	Phase sequence protector	CHAO SHI	ABJ-10W	230V	1	YE03103800000	
9	K2	Middle relay	WEIDMULLER	DRM270024LT	24VDC 12A	1	YE03272400000	
10	F1	Overload relays	SIEMENS	3RU6116-1AB0	1.1-1.6A	1	YE01160110000	
11	FU1	Fuse base	CHINT	RT18-32	2P	1	YE41032200000	B
12		Fuse	CHINT	10x38 500V	2A	2	YE46002000100	
13	U	DC power	MEAN WELL	S-100-24	+24V 4.5A	1	YE71102400000	
14	CPU,A1-A6	Controller	B&R	----	----	1	YE80024000100	
15	HMI	Human-machine interface	SCHNEIDER	GXU3512	24VDC	1	YE80351200100	
16	H1	Buzzer	SHINI	PK-27A	24VDC 50Hz	1	YE84002700000	
17	H2	Indicator	---	LTE-3051	24VDC 50Hz	1	YE83305100300	
18	BW1BW2	Dose transducer	VISHAY	LPS	10VDC 2mV/V	2	----	(1)
19	X1	Terminal	Honeywell	SK2.5	2.5mm ²	8	YE60002503200	C
20			----	GK2.5PE	2.5mm ² PE	4	YE60002503400	
21	X2	Terminal		SK2.5-TL	250V 2.5	7	YE60002503600	
22	X2	Terminal		SK2.5-TL	250V 2.5	2	YE60002503600	(2)
23	X3			SK2.5-TL	250V 2.5	4	YE60002503600	
24	X3			SK2.5-TL	250V 2.5	4	YE60002503600	(2)
25	X5	Terminal	----	SK2.5	2.5mm ²	6	YE60002503200	
整机版本 Ver.C Note: (1) means not part of control box. (2)stands for optional								
				Version	E	Title		Drawing NO.
				Designer	Approved by	SGB-4-0-4		Scale
				Proofread by		Electrical Components List 1		Standard
				Checked by	Date	SGB-4-0-4-CE-230V-E-10		Voltage
				Modified by	20170608			Frequency
				Modify date				Page
				Before modification				Totally
				After modification				Pages
				Mark				3/230V
								50/60Hz
								8



1	2		3			4	5		6	7		8		
NO.	Symbol	Name	Manufacturer	Type	Specification	Number	Material number	Remark						
26	X11-X14	Heavy-duty plug-in	SIBAS	HA-004-F	4P 10A	4	YE6000040000							
27	X10 X15	Heavy-duty plug-in	SIBAS	HDC-HQ-005	5P 10A	2	YE68000500000							
A														
28	WS	Communication cable	SHINI	----	1.5M 0.5x5C+ 9pin 母头串口	1	----							
29	FM	Cooling fan	----	----	220~230VAC 50/60HZ	1	YM60121200400	(1)						
30	M1	Mixing motor	----	0.25kW	230V 50/60HZ	1	----	(1)						
31	Y1 Y3-Y6	Solenoid valve	FESTO	----	24VDC	5	----	(1)						
32	Y2	Solenoid valve	FESTO	----	24VDC	1	----	(1)						
33	Y7-Y8	Solenoid valve	FESTO	----	24VDC	2	----	(1)(2)						
34		Power cable	----	----	2.5mm ² x4C	4M	BE51250400450	(1)						
35		Motor cable	----	----	1.5mm ² x4C	1.5M	YE50150400000	(1)						
B														
36	WS1	Ethernet line	----	----	----	1.0M	YE90000101600							
		Ethernet connector	----	RJ45F71	----	1	YE64457100000							
C														
D														
整机版本 Ver.C							Title		SGB-4-0-4		Scale		Page	
							Version		E		Standard		11	
							Drawer		Electrical Components List 2		CE		Totally	
							Designer		SGB-4-0-4-CE-230V-E-11		Voltage		15	
							Proofread by		SHINI		Frequency		3/230V	
							Checked by		20170608		Frequency		50/60HZ	
							Modified by				Voltage		3/230V	
							Modified date				Frequency		50/60HZ	
1	2		3			4	5		6	7		8		
Note: (1) means not part of control box. (2)stands for optional														




1	2		3	4	5	6	7	8
NO.	Symbol	Name	Manufacturer	Type	Specification	Number	Material number	Remark
1	Q1	Main switch	MOELLER	T0-2-1/EA/SVB	16A	1	YE10021160000	
2	Q2	Circuit breakers	TECO	BM-63C 3P	6A	1	YE40300603000	
3	S2 S3	Capacitive proximity switch	IFM	KI 5082	10~36VDC	2	YE15508200000	(1)
4	S7-S10	Capacitive proximity switch	IFM	KI 5082	10~36VDC	4	YE15508200000	(1) (2)
5	S5	Safety switch	SCHMERSRC	AZ152VK-1476	AC-15	1	YE16147600100	(1)
6	S6	Pressure switch	FOX	K4SA02	1~12KG	1	YE15401000000	(1)
7	K1	Contactors	SIEMENS	3RT6015-1AN21	230V 50/60Hz	1	YE00601521000	
8	K3	Phase sequence protector	CHAO SHI	ABJ-10W	230V	1	YE03103800000	
9	K2	Middle relay	WEIDMULLER	DRM270024LT	24VDC 12A	1	YE03272400000	
10	K4	Relay	CARLO GAVAZZI	RS1A40D40E	20~48VDC	1	YE03404000000	(2)
11	F1	Overload relays	SIEMENS	3RU6116-1AB0	1.1-1.6A	1	YE01160110000	
12	FU1	Fuse base	CHINT	RT18-32	2P	1	YE41032200000	
13		Fuse	CHINT	10x38 500V	2A	2	YE46002000100	
14	U	DC power	MEAN WELL	S-100-24	+24V 4.5A	1	YE71102400000	
15	CPU_A1-A6	Controller	B&R	----	----	1	YE80024000100	
16	HMI	Human-machine interface	SCHNEIDER	GXU3512	24VDC	1	YE80351200100	
17	H1	Buzzer	SHINI	PK-27A	24VDC 50Hz	1	YE84002700000	
18	H2	Indicator	---	LTE-3051	24VDC 50Hz	1	YE83305100300	
19	BW1 BW2	Dose transducer	VISHAY	LPS	10VDC 2mV/V	2	----	(1)
20	X1	Terminal	Honeywell	SK2.5	2.5mm ²	8	YE60002503200	
21		Terminal	----	GK2.5PE	2.5mm ² PE	4	YE60002503400	
22	X2	Terminal		SK2.5-TL	250V 2.5	7	YE60002503600	
23	X2	Terminal		SK2.5-TL	250V 2.5	2	YE60002503600	(2)
24	X3			SK2.5-TL	250V 2.5	4	YE60002503600	
25	X3			SK2.5-TL	250V 2.5	4	YE60002503600	(2)

整机版本 Ver.C Note: (1) means not part of control box. (2)stands for optional

D	1	2	3	4	5	6	7	8
Mark	Before modification	After modification	Modified by	Modify date	Checked by	Date	20170608	
			Designer		Version	E	Title	SGB-200-4
			Proofread by		Approved by		Electrical Components List 1	Drawing NO.
			Checked by				SGB-200-4-CE-230V-E-12	Scale
			Modify date					Standard
								Voltage
								Frequency
								CE
								Page
								Totally
								Pages
								3/230V
								50/60Hz



1	2		3	4	5	6	7	8
NO.	Symbol	Name	Manufacturer	Type	Specification	Number	Material number	Remark
A	1	Q1	MOELLER	T0-2-1/EA/SVB	16A	1	YE10021160000	
	2	Q2	TECO	BM-63C 3P	6A	1	YE40300603000	
	3	S2 S3	IFM	KI 5082	10~36VDC	2	YE15508200000	(1)
	4	S7-S10	IFM	KI 5082	10~36VDC	4	YE15508200000	(1) (2)
	5	S5	SCHMERSRC	AZ152VK-1476	AC-15	1	YE16147600100	(1)
	6	S6	FOX	K4SA02	1~12KG	1	YE15401000000	(1)
7	K1	Contactors	SIEMENS	3RT6015-1AN21	230V 50/60Hz	1	YE00601521000	
8	K3	Phase sequence protector	CHAO SHI	ABJ-10W	230V	1	YE03103800000	
9	K2	Middle relay	WEIDMULLER	DRM270024LT	24VDC 12A	1	YE03272400000	
10	K4	Relay	CARLO GAVAZZI	RS1A40D40E	20~48VDC	1	YE03404000000	(2)
B	11	F1	SIEMENS	3RU6116-1DB0	2.2-3.2A	1	YE01160220000	
	12	FU1	CHINT	RT18-32	2P	1	YE41032200000	
	13	Fuse	CHINT	10x38 500V	2A	2	YE46002000100	
	14	U	DC power	MEAN WELL	+24V 4.5A	1	YE71102400000	
15	CPU_A1-A6	Controller	B&R	----	----	1	YE80024000100	
16	HMI	Human-machine interface	SCHNEIDER	GXU3512	24VDC	1	YE80351200100	
17	H1	Buzzer	SHINI	PK-27A	24VDC 50Hz	1	YE84002700000	
18	H2	Indicator	---	LTE-3051	24VDC 50Hz	1	YE83305100300	
C	19	BW1 BW2	VISHAY	LPS	10VDC 2mV/V	2	----	(1)
	20	X1	Honeywell	SK2.5	2.5mm ²	8	YE60002503200	
	21		----	GK2.5PE	2.5mm ² PE	4	YE60002503400	
22	X2	Terminal		SK2.5-TL	250V 2.5	7	YE60002503600	
23	X2	Terminal		SK2.5-TL	250V 2.5	2	YE60002503600	(2)
24	X3			SK2.5-TL	250V 2.5	4	YE60002503600	
25	X3			SK2.5-TL	250V 2.5	4	YE60002503600	(2)
整机版本 Ver.C Note: (1) means not part of control box. (2)stands for optional								
				Version	E	Title		Drawing NO.
				Designer		SGB-600-4		SGB-600-4-CE-230V-E-14
				Proofread by		Electrical Components List 1		CE
				Checked by		 信易塑料机械股份有限公司 Shini Plastics Technologies, Inc.		Voltage
				Modified by				Frequency
				Modify date	20170608			3/230V
				Before modification				50/60HZ
				After modification				
				Scale		Page	14	
				Standard		Totally	15	Pages
				Date				

