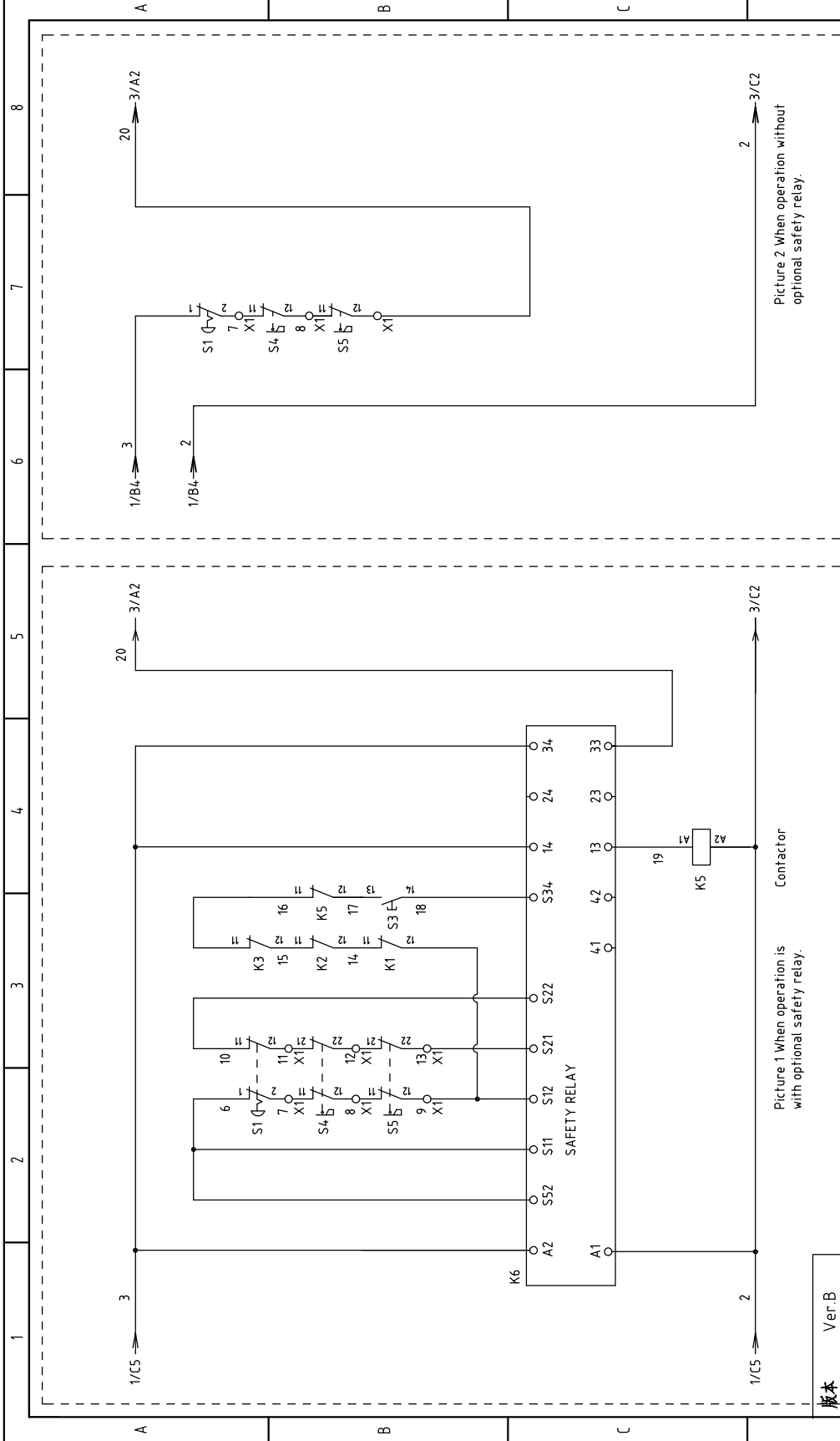


版本 Ver.B

Mark	Before modification	Modified by	Modify date	Checked by	Designer	Drawer	Version	E	Title	SG-14/11/17	Drawing NO.	Scale	Page 1
	After modification				Proofread by		Approved by		Main Circuit Diagram	SG-14/11/17-CE-230V-E-1		Standard	Totally 6 Pages
							Date	2016/11/24					CE
													Voltage
													230V
													Frequency
													50Hz

SHINI
信易塑料机械股份有限公司
Shini Plastics Technologies, Inc.

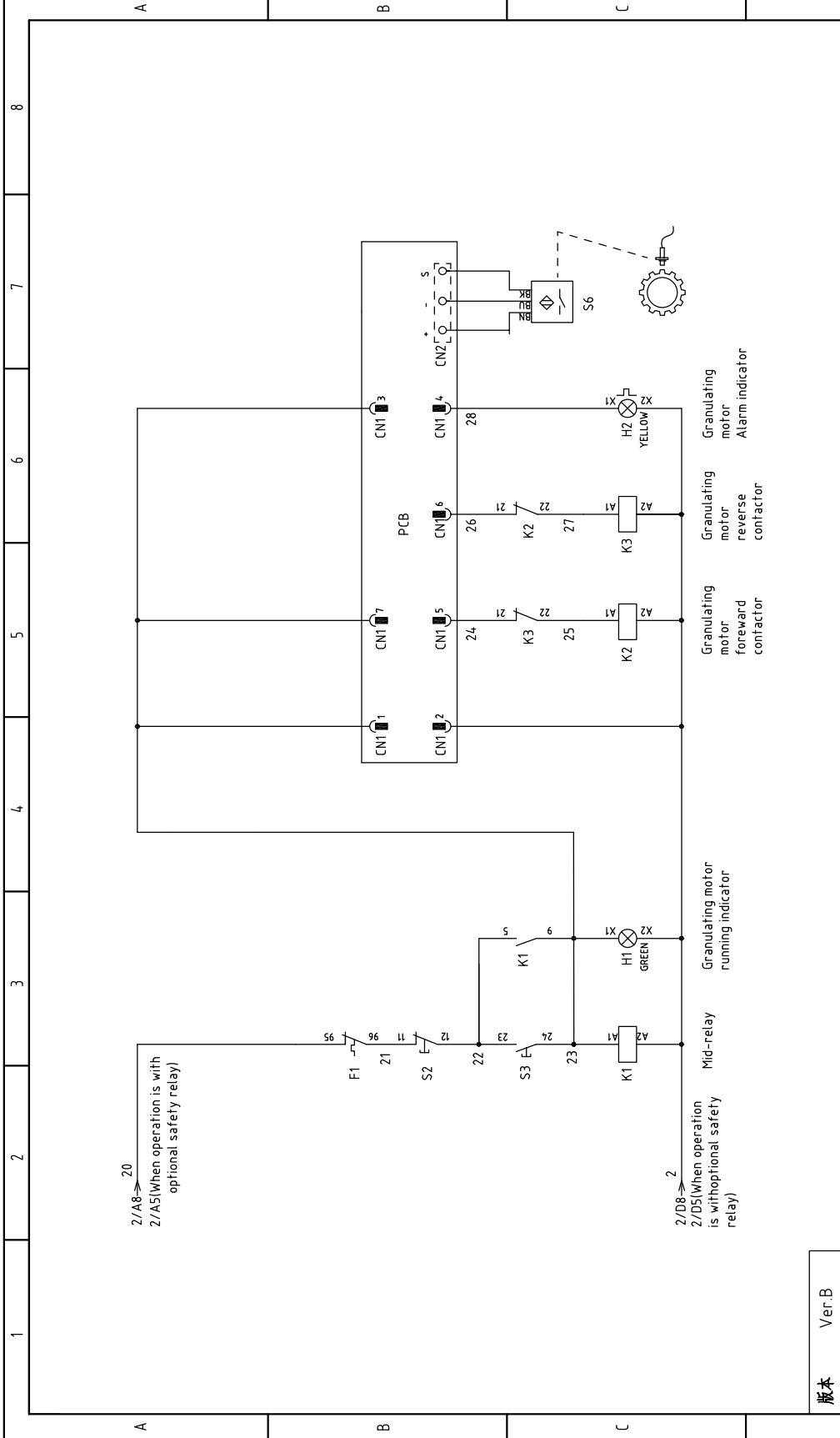


Picture 1 When operation is with optional safety relay. Picture 2 When operation without optional safety relay.

Ver.B
Mark
Before modification
Modified by
Modify date
Checked by
Proofread by
Designer
Drawer
Version
Approved by
Date
20161124

E
Control Circuit Diagram 1
SG-14.11/17
SG-14.11/17-CE-230V-E-2
Standard
CE
Scale
Page 2
Totally 6
Pages
230V
Voltage
50HZ
Frequency

SHINI
 信易塑料机械股份有限公司
 Shini Plastics Technologies, Inc.



版本	Ver.B
Mark	Before modification
	After modification
	Modify date
	Checked by
	Proofread by
	Designer
	Drawer
	Version
	E

Title		SG-14-11/17		Drawing NO.	
Control Circuit Diagram 2		SG-14-11/17-CE-230V-E-3		Scale	
				Standard	
				Voltage	
				Frequency	
				Page	
				Totally	
				Pages	
				230V	
				50HZ	

SHINI
信易塑料机械股份有限公司
Shini Plastics Technologies, Inc.

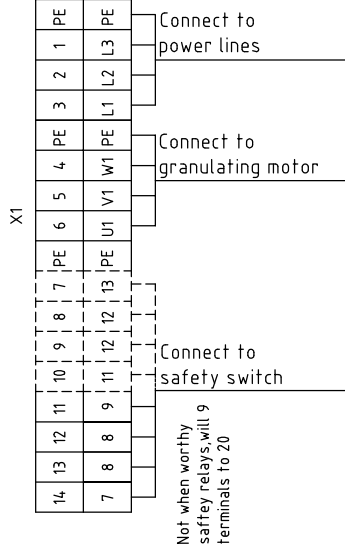
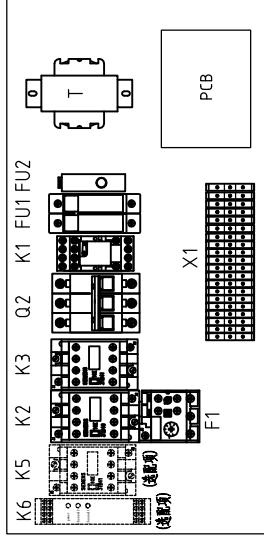
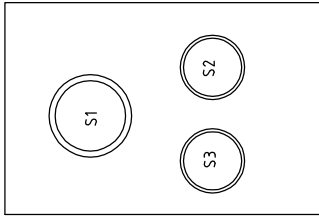
1 2 3 4 5 6 7 8

A

B

C

D



版本 Ver.B

Mark	Before modification	After modification	Modified by	Modify date	Checked by	Proofread by	Designer	Drawer	Version	E	Title	SG-14/11/17	SG-14/11/17-CE-230V-E-4	Scale	Page	4
				20161124							Electrical Components Layout	SG-14/11/17-CE-230V-E-4	Standard	Totally	6	Pages
													CE	Voltage	230V	
														Frequency	50HZ	



1 2 3 4 5 6 7 8

D

C

B

